

Use & Care Manual

Dual Fuel Range

Slide-in Models

CONTENTS

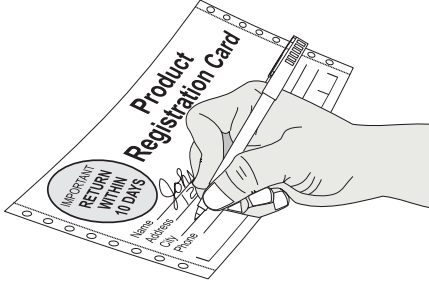
	Page
Product Registration	2
Important Safety Instructions	3-5
Selecting Surface Cooking Utensils	5
Specialty Pans & Trivets	6
Canning Tips & Information	6
Liquefied Petroleum (Propane) Gas Conversion	7
Flame Size	7
Proper Burner Adjustments	7
Setting Surface Controls	8
Before Setting Oven Controls	8
Setting Oven Controls	8
Before Setting Warmer Drawer Controls	9
Setting Warmer Drawer Controls	9-10
Convection Cooking	10
Convection Roasting	10
Oven Baking	11
Air Circulation in the Oven	11
Broiling	12
General Cleaning	13-18
Changing Oven Light	18
Avoid Service Checklist	18-21
Warranty	22

Visit the Frigidaire Web Site at:
<http://www.frigidaire.com>

Product Registration

Register Your Product

The self-addressed **PRODUCT REGISTRATION CARD** should be filled in completely, signed and returned to Electrolux Home Products North America.



Versión en español

Si desea obtener una copia en español de este Manual del Usuario, sírvase escribir a la dirección que se incluye a continuación. Solicite la P/N **318204007**.

Spanish Owner's Guides
Electrolux Home Products North America
Consumer Relations
P.O. Box 212378
Augusta, Georgia
30917-2378

Thank you for choosing this appliance. The information contained within this **Owner's Guide** will instruct you on how to properly operate and care for your range. Please read through the information contained in your literature pack to learn more about your new appliance.

Record Your Model and Serial Numbers

Record in the space provided below the model and serial numbers. The numbers are found on the serial plate located at the left of the range frame and are visible when the oven door is open or on the inside of the drawer along the side of the frame.

Model Number: _____

Serial Number: _____

Date of Purchase: _____

This Owner's Guide contains general operating instructions for your range and feature information for several models. Your range **may not** have all the described features. The graphics shown are representational. The graphics on your range may not look exactly like those shown.

Note: The instructions appearing in this Owner's Guide are not meant to cover every possible condition and situation that may occur. Common sense and caution must be practiced when installing, operating and maintaining any appliance.

Important: Keep a copy of your bill of sale.

The date on the bill establishes the warranty period service be required. Place it where it can be easily retrieved. If service is performed while the appliance is under warranty, you may have to show your bill of sale.



⚠ WARNING If the information in this manual is not followed exactly, a fire or explosion may result causing property damage, personal injury or death.

FOR YOUR SAFETY:

- Do not store or use gasoline or other flammable vapors and liquids in the vicinity of this or any other appliance.
- **WHAT TO DO IF YOU SMELL GAS:**
 - Do not try to light any appliance.
 - Do not touch any electrical switch; do not use any phone in your building.
 - Immediately call your gas supplier from a neighbor's phone. Follow the gas supplier's instructions.
 - If you cannot reach your gas supplier, call the fire department.
- Installation and service must be performed by a qualified installer, servicer or gas supplier.



⚠ WARNING

- All ranges can tip.
- Injury to persons could result.
- Install anti-tip device packed with range.
- See Installation instructions.

⚠ WARNING

To reduce the risk of tipping of the range, the range must be secured by properly installed anti-tip bracket (s) provided with the range. To check if the bracket (s) is installed properly, remove the lower panel or storage drawer and verify that the anti-tip bracket (s) is engaged. Refer to the installation instructions for proper anti-tip bracket(s).

IMPORTANT SAFETY INSTRUCTIONS

Read all instructions before using this appliance.

Save these instructions for future reference.

This guide contains important safety symbols and instructions. Please pay special attention to these symbols and follow all instructions given. Here is a brief explanation of the use of these symbols.

⚠ WARNING This symbol will help alert you to situations that may cause serious bodily harm, death or property damage.

⚠ CAUTION This symbol will help alert you to situations that may cause bodily injury or property damage.

- **Remove all tape and packaging wrap before using the appliance. Destroy the carton and plastic bags after unpacking the appliance.** Never allow children to play with packaging material.
- **Proper Installation—Be sure your appliance is properly installed and grounded by a qualified technician in accordance with Canadian Standards CAN/CGA B149.1, and CAN/CGA B149.2 and Canadian Electrical Code, part 1, and local requirements.** Install only per installation instructions provided in the literature package for this appliance.

Ask your dealer to recommend a qualified technician and an authorized repair service. Know how to disconnect the electrical power to the appliance at the circuit breaker or fuse box and gas supply at the main shutoff valve in case of an emergency. Remove the drawer to access the valve.

- **User Servicing—Do not repair or replace any part of the appliance unless specifically recommended in the manuals.** All other servicing should be done only by a qualified technician to reduce the risk of personal injury and damage to the appliance.
- **Never modify or alter the construction of an appliance by removing leveling legs, panels, wire covers, anti-tip brackets/screws, or any other part of the product.**

⚠ WARNING Stepping, leaning or sitting on the door or drawer of this appliance can result in serious injuries and may also cause damage to the appliance. Do not allow children to climb or play around the appliance. The weight of a child on an open door may cause the appliance to tip, resulting in serious burns or other injury. An open drawer, when hot, may cause burns.

⚠ WARNING Do not use the oven or warmer drawer (if equipped) for storage.

- **Storage in or on Appliance—Flammable materials should not be stored in an oven, near surface burners or in the drawer (if equipped).** This includes paper, plastic and cloth items, such as cookbooks, plasticware and towels, as well as flammable liquids. Do not store explosives, such as aerosol cans, on or near the appliance. Flammable materials may explode and result in fire or property damage.

⚠ CAUTION Do not store items of interest to children in the cabinets above the appliance.

- **Do not leave children alone. Children should not be left alone or unattended in the area where an appliance is in use.** They should never be allowed to sit or stand on any part of the appliance.
- **DO NOT TOUCH SURFACE BURNERS, GRATES, AREAS NEAR THESE BURNERS, OVEN HEATING ELEMENTS OR INTERIOR SURFACES OF THE OVEN OR WARMER DRAWER (if equipped).** Both surface burners and oven heating elements may be hot even though they are dark in color. Areas near surface burners may become hot enough to cause burns. During and after use, do not touch, or let clothing or other flammable materials touch these areas until they have had sufficient time to cool. Among these areas are the cooktop, surfaces facing the cooktop, the oven vent openings and surfaces near these openings, oven door and window.
- **Wear Proper Apparel—Loose-fitting or hanging garments should never be worn while using the appliance.** Do not let clothing or other flammable materials contact hot surfaces.

⚠ WARNING Never use your appliance for warming or heating the room.

- **Do Not Use Water or Flour on Grease Fires—Smother the fire with a pan lid, or use baking soda, a dry chemical or foam-type extinguisher.**
- **When heating fat or grease, watch it closely.** Fat or grease may catch fire if allowed to become too hot.

⚠ WARNING In case of fire or gas leak, be sure to turn off the main gas shutoff valve.

- **Use Only Dry Potholders—Moist or damp potholders on hot surfaces may result in burns from steam.** Do not let the potholders touch the flame, burners or interior oven elements. Do not use a towel or other bulky cloth instead of a potholder.
- **Do Not Heat Unopened Food Containers—Build up of pressure may cause the container to burst and result in injury.**

IMPORTANT SAFETY INSTRUCTIONS (continued)

- **Remove the oven door from any unused appliance if it is to be stored or discarded.**
- **IMPORTANT—Do not attempt to operate the oven during a power failure. If the power fails, always turn the oven off.** If the oven is not turned off and the power resumes, the oven may begin to operate again. Food left unattended could catch fire or spoil.

⚠ WARNING Use Proper Flame Size—Adjust flame size so it does not extend beyond the edge of the utensil. The use of undersized utensils will expose a portion of the burner flame to direct contact and may result in ignition of clothing. Proper relationship of utensil to flame will also improve efficiency.

⚠ WARNING Do not use stove top grills on the burner grates of your sealed gas burners. If you use a stove top grill on a sealed gas burner, it will cause incomplete combustion and can result in exposure to carbon monoxide levels above allowable current standards. This can be hazardous to your health.

⚠ CAUTION Electronic controllers can be damaged by cold temperatures. When you use your appliance for the first time, or if it has not been used for a long period of time, make sure that it has been exposed to a temperature above 0°C/32°F for at least 3 hours before connecting it to the power supply.

IMPORTANT INSTRUCTIONS FOR USING YOUR COOKTOP

- **Know which knob controls each surface heating unit.** Always turn the knob to the LITE position when igniting the burners. Visually check that the burner has lit. Then adjust the flame so it does not extend beyond the edge of the utensil.
- **Use Proper Pan Size—**This appliance is equipped with one or more surface burners of different sizes. Select utensils having flat bottoms large enough to cover the surface burner. The use of undersized utensils will expose a portion of the surface burner to direct contact and may result in ignition of clothing. Proper relationship of utensil to the surface burner will also improve efficiency.
- **Utensil Handles Should Be Turned Inward and Should Not Extend Over Adjacent Surface Burners—**To reduce the risk of burns, ignition of flammable materials, and spillage due to unintentional contact with the utensil. The handle of the utensil should be positioned so that it is turned inward, and does not extend over adjacent surface burner.
- **Never Leave Surface Burners Unattended—**Boilovers cause smoking and greasy spillovers that may ignite, or a pan that has boiled dry may melt.

- **Protective liners—**Do not use aluminum foil to line oven bottom or any other part of the appliance. Only use aluminum foil as recommended for baking if used as a cover placed on the food. Any other use of protective liners or aluminum foil may result in a risk of electric shock or fire or a short circuit.
- **Glazed Cooking Utensils—**Only certain types of glass, glass/ceramic, ceramic, earthenware, or other glazed utensils are suitable for rangetop service without breaking due to the sudden change in temperature. Check the manufacturer's recommendations for rangetop use.
- **Do Not Use Decorative Surface Burner Covers.** If a burner is accidentally turned on, the decorative cover will become hot and possibly melt. Burns will occur if the hot covers are touched. Damage may also be done to the cooktop or burners because the covers may cause overheating. Air will be blocked from the burner and cause combustion problems.

IMPORTANT INSTRUCTIONS FOR USING YOUR OVEN

- **Use Care When Opening Door or Warmer Drawer (if equipped)—**Stand to the side of the appliance when opening the door of a hot oven. Let hot air or steam escape before you remove or replace food in the oven/warmer drawer.
- **Keep Oven Vent Ducts Unobstructed.** The oven is vented at the rear of the cooktop. Touching the surfaces in this area when the oven is operating may cause severe burns. Also, do not place plastic or heat-sensitive items on or near the oven vent. These items could melt or ignite.
- **Placement of Oven/Warmer Drawer (if equipped) Racks.** Always place oven racks in desired location while oven/drawer (if equipped) is cool. Remove all utensils from the rack before removing rack. If rack must be moved while oven is hot, use extreme caution. Use potholders and grasp the rack with both hands to reposition. Do not let potholders contact the hot oven element or interior of the oven/warmer drawer (if equipped).
- **Do not use the broiler pan without its insert.** The broiler pan and grid allow dripping fat to drain and be kept away from the high heat of the broiler.
- **Do not cover the broiler or warmer drawer (if equipped) grid with aluminum foil.** Exposed fat and grease could ignite.
- **Do not touch a hot light bulb with a damp cloth.** Doing so could cause the bulb to break. Disconnect the appliance or turn off the power to the appliance before removing and replacing light bulb.

IMPORTANT SAFETY INSTRUCTIONS (continued)

IMPORTANT INSTRUCTIONS FOR CLEANING YOUR RANGE

- **Clean the appliance regularly to keep all parts free of grease that could catch fire.** Exhaust fan ventilation hoods and grease filters should be kept clean. Do not allow grease to accumulate. Greasy deposits in the fan could catch fire. Refer to the hood manufacturer's instructions for cleaning.
- **Cleaners/aerosols**—Always follow the manufacturer's recommended directions for use. Be aware that excess residue from cleaners and aerosols may ignite causing damage and/or injury.

SELF-CLEANING OVENS

- **Clean in the self-cleaning cycle only the parts of the oven listed in this owner's guide.** Before self-cleaning the oven, remove the broiler pan and any utensils stored in the oven.

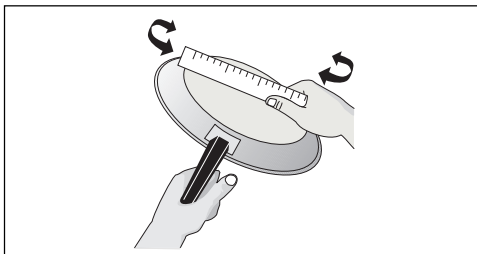
- **Do not clean the oven door gasket.** The door gasket is essential for a good seal. Care should be taken not to rub, damage or move the gasket.
- **Do not use oven cleaners.** No oven cleaner or oven liner protective coating of any kind should be used in or around any part of the oven.
- **Remove oven racks.** Oven racks color will change if left in the oven during a self-cleaning cycle.

⚠ CAUTION The health of some birds is extremely sensitive to the fumes given off during the self-clean cycle of any range. Move birds to another well ventilated room.

SAVE THESE INSTRUCTIONS

Selecting Surface Cooking Utensils

For best results and energy conservation, choose cooking utensils that have these characteristics:



Pans should have flat bottoms. Check for flatness by rotating a ruler across the bottom. There should be no gaps between the pan and ruler.

Note: Always use a utensil for its intended purpose. Follow manufacturer's instructions. Some utensils were not made to be used in the oven or on the cooktop.

Note: Do not use griddle over more than one burner. That can damage your cooktop and that can result in exposure to carbon monoxide levels above allowable current standards. That can be hazardous to your health.

*GOOD



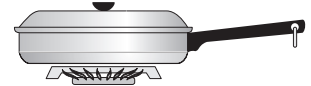
- **Flat bottom** and straight sides.
- Tight fitting lids.
- Weight of handle does not tilt pan. Pan is well balanced.
- Pan sizes match the amount of food to be prepared.
- Made of material that conducts heat well.
- Easy to clean.

POOR

- Curved and warped pan bottoms.



- Pan overhangs unit by more than 2.5 cm (1").



- Heavy handle tilts pan.

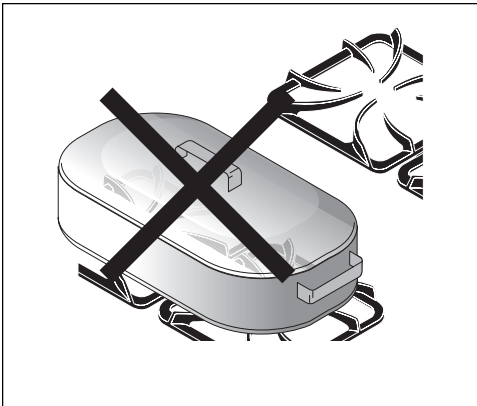


- Flame extends beyond unit.



- * Specialty pans such as lobster pots, griddles and pressure cookers may be used but must conform to the above recommended cookware requirements.

Specialty Pans & Trivets



Woks with flat bottoms suitable for use on your cooktop are available in most cookshop or hardware stores. Round-bottomed woks (with a support ring that does not extend beyond the burner unit) may also be used. The metal ring was designed to support the wok safely when it is filled with large amounts of liquids (soup making) or fat (frying).

DO NOT use a wok if it is equipped with a metal ring that extends beyond the burner unit. Because this ring traps heat, the surface unit and cooktop surface could be damaged.



Wire trivets: Do not use wire trivets. Cookware bottoms must be in direct contact with the grates.

CAUTION DO NOT use two burner units to heat one large pan such as a roaster or griddle, or allow cooking utensils to boil dry. The bottom surface of the pan in either of these situations could cause discoloring or crazing of the appliance cooking surface, and damage to the grates and burner units.

Canning Tips & Information

CAUTION Canning can generate large amounts of steam. Use extreme caution to prevent burns. Always raise the lid to vent steam away from you.



1. Use tested recipes and follow instructions carefully. Check with your local Cooperative Agricultural Extension Service or a manufacturer of glass jars for the latest canning information.
2. Use flat-bottomed canners only. Heat is spread more evenly when the bottom surface is flat.
3. Center canner on the burner grate.
4. Start with hot water and a high heat setting to reduce the time it takes to bring the water to a boil; then reduce the heat setting as low as possible to maintain a constant boil.
5. It is best to can small amounts and light loads.

CAUTION Prevent damage to cooktop and burner grates:

1. Do not use water bath or pressure canners that extend more than one inch beyond the edge of the burner grate.
2. Do not leave water bath or pressure canners on high heat for an extended amount of time.
3. Alternate surface units between each batch to allow the units and surrounding surfaces to cool down. Try to avoid canning on the same burner unit all day.

CAUTION Safe canning requires that harmful micro-organisms are destroyed and the jars are sealed completely. When canning in a water bath canner, a gentle but steady boil must be maintained continuously for the required time.

Liquefied Petroleum (Propane) Gas Conversion

The cooktop can be used with Natural Gas or Propane Gas. It is shipped from the factory for use with natural gas.

If you wish to convert your appliance for use with LP/Propane gas, use the supplied fixed orifices located in a bag containing the literature marked, "FOR LP/PROPANE GAS CONVERSION". Follow the instructions package with the orifices.

The conversion must be performed by a qualified service technician in accordance with the manufacturer's instructions and all codes and requirements of the authority having jurisdiction. Failure to follow instructions could result in serious injury or property damage. The qualified agency performing this work assumes responsibility for the conversion.

⚠ WARNING Severe shock or damage to the appliance may occur if the appliance is not installed by a qualified installer.

Flame Size

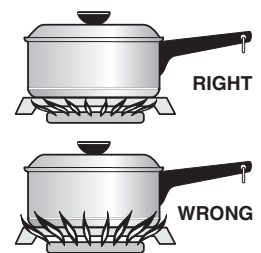
For most cooking, start on the highest control setting and then turn to a lower one to complete the process. Use a chart below as a guide for determining proper flame size for various types of cooking. The size and type of utensil used and the amount of food being cooked will influence the setting needed for cooking.

For deep fat frying, use a thermometer and adjust the surface control knob accordingly. If the fat is too cool, the food will absorb the fat and be greasy. If the fat is too hot, the food will brown so quickly that the center will be undercooked. Do not attempt to deep fat fry too much food at once as the food will neither brown or cook properly.

*Flame size	Type of Cooking
High Flame	Start most foods; bring water to a boil; pan broiling.
Medium Flame	Maintain a slow boil; thicken sauces, gravies; steam.
Low Flame	Keep foods cooking; poach; stew.

* These settings are based on using medium thickness aluminum pans with lids. Settings may vary when using other types of pans.

Never extend the flame beyond the outer edge of the utensil. A higher flame simply wastes heat and energy, and increases your risk of being burned by the flame.



Proper Burner Adjustments

The color of the flame is the key to proper burner adjustment. A good flame is clear, blue and hardly visible in a well-lighted room. Each cone of flame should be steady and sharply defined. Adjust or clean burner if flame is yellow-orange. To clean burner, see instructions under **General Cleaning**.

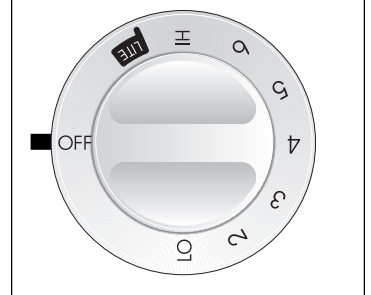
Setting Surface Controls

Each burner lights automatically from an electric ignitor each time a control knob is turned to the lite position.

To operate the surface burner:

1. Place cooking utensil on burner.
2. **Push in and turn** the Surface Control knob to LITE. **Note:** All electronic ignitors will click at the same time. However, only the burner you are turning on will ignite.
3. Visually check that the burner has lit.
4. After the burner lights, turn the control knob to the desired flame size. The control knobs do not have to be set at a particular mark. Use the guides and adjust the flame as needed. **DO NOT** cook with the control knob in the LITE position. (The electronic ignitor will continue to click if left in the LITE position.)
5. To turn the burner off, turn the control knob as far as it will go, to the OFF position.

The surface control knobs shown below may not look identical to the Surface Controls Knobs on your range; They are only representational.



In the event of an electrical power outage, the surface burners can be lit manually. To light a surface burner, hold a lit match to the burner head, then slowly turn the surface control knob to LITE. Use caution when lighting surface burners manually.

Surface burner in use when an electrical power failure occurs will continue to operate normally.

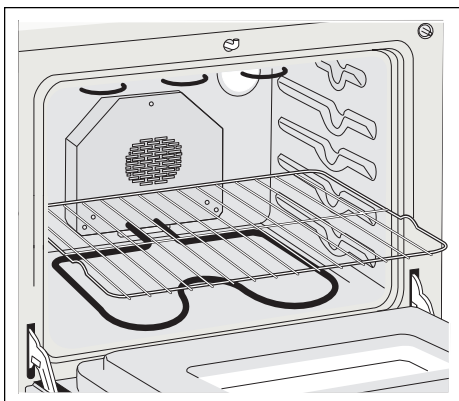
CAUTION Do not operate the burner for an extended period of time without cookware on the grate. The finish on the grate may chip without cookware to absorb the heat.

CAUTION Do not place plastic items such as salt and pepper shakers, spoon holders or plastic wrappings on top of the cooktop when it is in use. These items could melt or ignite. Pot holders, towels or wood spoons could catch fire if placed too close to a flame.

Before Setting Oven Controls

Oven Vent Location

The oven is vented at the rear of the cooktop. When the oven is on, warm air is released through the vents. This venting is necessary for proper air circulation in the oven and good baking results. DO NOT block the vents. Doing so may cause cooking failures, fire or damage to the appliance



Arranging Oven Racks

ALWAYS ARRANGE OVEN RACKS WHEN THE OVEN IS COOL (PRIOR TO OPERATING THE OVEN). Always use oven mitts when using the oven.

To remove an oven rack, pull the rack forward until it stops. Lift up front of rack and slide out.

To replace an oven rack, Fit the rack onto the guides on the oven walls. Tilt the front of the rack upward and slide the rack back into place.

Setting Oven Controls

For oven settings, refer to the time or the electronic oven control section.

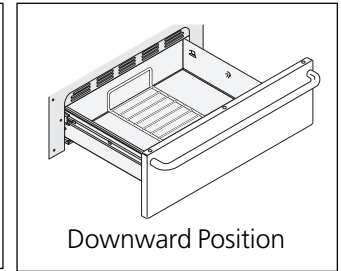
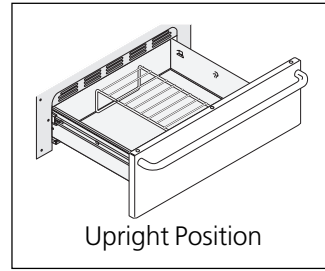
Before Setting Warmer Drawer Controls (some models)

Arranging Warmer Drawer Rack Positions

Set the warmer drawer rack in the vertical position as shown below:

The rack can be used in 2 ways:

- In the upright position to allow low profile food items to be placed both under and on top of the rack (for example, rolls or biscuits on top of the rack and a casserole dish under).
- In the Downward position to allow you to place light weight food items and empty dishware (for example, rolls or pastries and dinner plates).



Setting Warmer Drawer Controls (some models)

Note: The warmer drawer cannot be used during an oven self-cleaning cycle. The warmer drawer is equipped with a catch which may require extra force when opening and closing the drawer.

Use the warmer drawer to keep hot foods hot such as: vegetables, gravies, meats, casseroles, biscuits and rolls, pastries and heated dinner plates.

To Operate the Warmer Drawer

The purpose of the warmer drawer is to keep hot cooked foods at serving temperature. Always start with hot food. It is not recommended to heat cold food in the warmer drawer.

All food placed in the warmer drawer should be covered with a lid or aluminum foil to maintain moisture and softness. Do not cover crisp foods. **Do not use plastic wrap to cover food. Plastic may melt onto the drawer and be very difficult to clean.**

Use only dishware, utensils and cookware recommended for oven use in the warmer drawer.

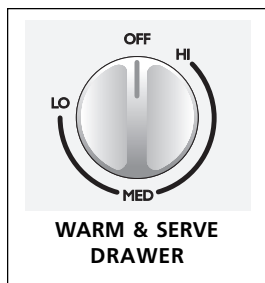
CAUTION Always use potholders or oven mitts when removing food from the warmer drawer as cookware and plates will be hot.

Indicator Light

The indicator light is located above or below the thermostat control knob. It turns on when the control is set, and stays on until the control is turned off. Make sure indicator light is off when removing food from drawer.

To Set the Thermostat Control

The thermostat control knob is used to select the temperature of the warmer drawer. It is located at the left side of the oven control. The temperatures are approximate, and are designated by HI, MED and LO. The control can be set to the three settings, or anywhere between.



1. To set the thermostat, push in and turn the knob to the desired setting.
2. For best results, preheat the drawer before adding food. An empty drawer will reach the LO setting in about 12 minutes, the MED setting in about 15 minutes, and the HI setting in about 18 minutes.
3. When done, turn the thermostat control to OFF.

Setting Warmer Drawer Controls (some models, continued)

Temperature Selection

Refer to the chart in the side column for recommended settings. If a particular food is not listed, start with the medium setting. If more crispness is desired, remove the lid or aluminum foil. Most foods can be kept at serving temperatures by using the medium setting. When a combination of foods are to be kept warm (for instance, a meat with 2 vegetables and rolls), use the high setting. Refrain from opening the warmer drawer while in use to eliminate loss of heat from the drawer. Open only for adding or removing food.

Warmer Drawer Recommended Food Settings Chart					
Food Item	Setting	Food Item	Setting	Food Item	Setting
Bacon	HI	Ham	MED	Potatoes (baked)	HI
Biscuits	MED	Hamburger Patties	HI	Potatoes (mashed)	MED
Casseroles	MED	Pancakes, Waffles	HI	Poultry	HI
Eggs	MED	Pastries	MED	Roast (Beef, Pork, Lamb)	MED
Empty Dinner Plate	LO	Pies	MED	Rolls, soft	LO
Fish, Seafood	MED	Pizza	HI	Rolls, hard	MED
Fried Foods	HI	Pork Chops	HI	Vegetables	MED
Gravies	MED				

Convection Cooking (some models)

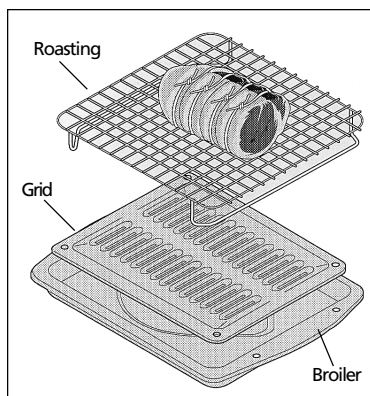
NOTE: The convection fan automatically turns off when the oven door is opened while oven is in a convection mode and resumes when the door is closed again.

The convection oven uses a fan located in the rear wall of the oven to circulate heated air around the food to be cooked. The controlled air flow pattern quickly seals the food surface retaining the natural juices and flavor. This method of cooking enables you to obtain the best culinary results when baking, thawing, dehydrating and roasting foods.

Convection notes:

1. Most recipes can be made with temperatures set at 13°C (25°F) lower than temperatures required for normal radiant cooking methods. Refer to the electronic oven control operating instructions included in section "Electronic Oven Control". This can result in considerable reduction of food shrinkage and more tender meats.
2. Batch cooking is more convenient with better results.
3. Defrosting is quicker in convection mode when compared to regular radiant cooking.
4. Remember to use tested recipes with times adjusted for convection baking/roasting when using the convection mode. Times may be reduced by as much as 30% when using the convection feature.

Convection Roasting (some models)






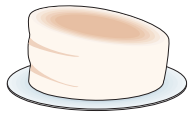
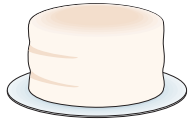
When convection roasting, use the broiler pan and grid, and the roasting rack. The broiler pan will catch grease spills and the grid will help prevent grease spatters. The roasting rack will hold the meat.

1. Place oven rack on bottom or next-bottom rack position.
2. Place the grid in the broiler pan. The roasting rack fits on the grid allowing the heated air to circulate under the food for even cooking and helps to increase browning on the underside. Make sure the roasting rack is securely seated on the grid in the broiler pan. DO NOT use the broiler pan without the grid or cover the grid with aluminum foil.

Oven Baking

For best cooking results, heat the oven before baking cookies, breads, cakes, pies or pastries, etc... There is no need to preheat the oven for roasting meat or baking casseroles.

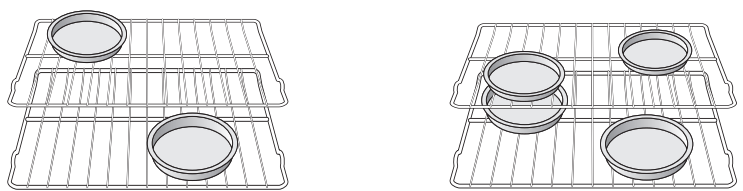
The cooking times and temperatures needed to bake a product may vary slightly from your previously owned appliance.

Baking Problems and Solutions Chart		
Baking Problems	Causes	Corrections
Cookies and biscuits burn on the bottom. 	<ul style="list-style-type: none"> • Cookies and biscuits put into the oven before the preheating time is completed. • Oven rack overcrowded. • Dark pan absorbs heat too fast. 	<ul style="list-style-type: none"> • Allow oven to preheat to the selected temperature before placing food in oven. • Choose pan sizes that will permit 5.1 cm to 10.2 cm (2" to 4") of air space on all sides when placed in the oven. • Use a medium-weight aluminum baking sheet.
Cakes too dark on top or bottom. 	<ul style="list-style-type: none"> • Cakes put into the oven before preheating time is completed. • Rack position too high or low. • Oven too hot. 	<ul style="list-style-type: none"> • Allow oven to preheat to the selected temperature before placing food in the oven. • Use proper rack position for baking needs. • Set oven temperature 25°F/12°C lower than recommended.
Cakes not done in the center. 	<ul style="list-style-type: none"> • Oven too hot. • Incorrect pan size. • Pan not centered in oven. 	<ul style="list-style-type: none"> • Set oven temperature 25°F/12°C lower than recommended. • Use pan size suggested in recipe. • Use proper rack position and place pan so there is 5.1 cm to 10.2 cm (2" to 4") of space on all sides of pan.
Cakes not level. 	<ul style="list-style-type: none"> • Range not level. • Pan too close to oven wall or rack overcrowded. • Pan warped. 	<ul style="list-style-type: none"> • Place a marked glass measuring cup filled with water on the center of the oven rack. If the water level is uneven, refer to the installation instructions for leveling the range. • Be sure to allow 5.1 cm to 10.2 cm (2" to 4") of clearance on all sides of each pan in the oven. • Do not use pans that are dented or warped.
Foods not done when cooking time is up. 	<ul style="list-style-type: none"> • Oven too cool. • Oven overcrowded. • Oven door opened too frequently. 	<ul style="list-style-type: none"> • Set oven temperature 25°F/12°C higher than suggested and bake for the recommended time. • Be sure to remove all pans from the oven except the ones to be used for baking. • Open oven door only after shortest recommended baking time.

Air Circulation in the Oven

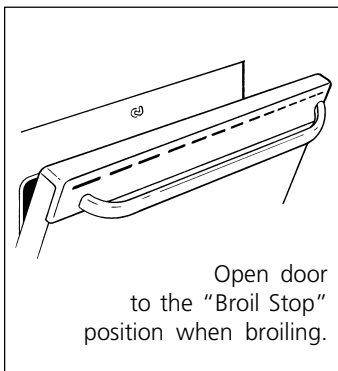
For good air circulation in the oven and best baking results, center pans as much as possible. Allow 5.1 to 10.2 cm (2" to 4") around the utensil(s) for proper air circulation and be sure pans do not touch each other, the door, sides or back of oven. The hot air must circulate around the pans for even heat to reach all parts of the oven.

If using multiple pans, stagger as shown. If using one pan, place in center of oven.



Broiling

Broiling is a method of cooking tender cuts of meat by direct heat under the broil element of the oven.



Always pull oven rack out to the "stop" position before turning or removing food.

Preheating

Preheating is suggested when searing rare steaks. (Remove the broiler pan before preheating. Foods will stick if placed on hot metal.) To preheat, set the oven control(s) to BROIL as instructed in the Owner's Guide. Wait for the element to become red-hot, usually about 2 minutes. Preheating is not necessary when broiling meats well-done.

To Broil

Broil on one side until the food is browned; turn and cook on the second side. Season and serve. Always pull rack out to the "stop" position before turning or removing food.

Determining Broiling Times

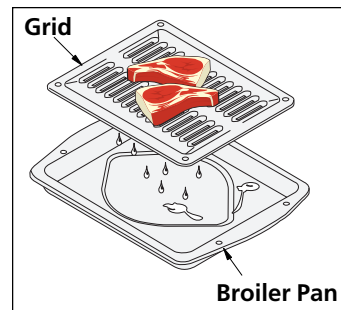
Broiling times vary, so watch the food closely. Time not only depends on the distance from the element, but on the thickness and aging of meat, fat content and doneness preferred. The first side usually requires a few minutes longer than the second. Frozen meats also require additional time.

Broiling Tips

The broiler pan and its grid allow dripping grease to drain and be kept away from the high heat of the broiler.

DO NOT use the pan without its grid. DO NOT cover the grid with foil. The exposed grease could ignite.

CAUTION Should an oven fire occur, close the oven door and turn off the oven. If the fire continues, throw baking soda on the fire or use a fire extinguisher. **DO NOT** put water or flour on the fire. Flour may be explosive.



Broiler Clean-Up Tips:

- To make cleaning easier, line the bottom of the broiler pan with aluminum foil. **DO NOT** cover the broiler grid with foil.
- To prevent grease from baking on, remove the broiler pan from the oven as soon as cooking is completed. Use hot pads because the broiler pan is extremely hot. Pour off grease. Soak the pan in **HOT**, soapy water.
- Clean the broiler pan as soon as possible after each use. If necessary, use soap-filled steel wool pads. Heavy scouring may scratch the grid.

General Cleaning

Cleaning Various Parts of Your Range

Before cleaning any part of the range, be sure all controls are turned OFF and the range is COOL. REMOVE SPILLOVERS AND HEAVY SOILING AS SOON AS POSSIBLE. REGULAR CLEANING WILL REDUCE THE NUMBER OF MAJOR CLEANING LATER.

Surfaces	How to Clean
Aluminum & Vinyl Control Panel and Trim Pieces	Use hot, soapy water and a cloth. Dry with a clean cloth. <i>Before cleaning the control panel, turn all controls to OFF and remove the control knobs. To remove, pull each knob straight off the shaft. Clean using hot, soapy water and a dishcloth. Rinse with a clean water and a dishcloth. Cover stubborn spots with an ammonia-soaked paper towel for 30 to 40 minutes. Rinse. Be sure to squeeze excess water from the cloth before wiping the panel; especially when wiping around the controls. Excess water in or around the controls may cause damage to the appliance. Be sure to rinse the cleaners as bluish stains may occur during heating and cannot be removed. To replace knobs after cleaning, line up the flat sides of both the knob and the shaft; then push the knob into place.</i>
Glass, Painted and Plastic Control Knobs, Body Parts, and Decorative Trim	<i>For general cleaning, use hot, soapy water and a cloth. For more difficult soils and built-up grease, apply a liquid detergent directly onto the soil. Leave on soil for 30 to 60 minutes. Rinse with a damp cloth and dry. DO NOT use abrasive cleaners on any of these materials; they can scratch. To remove control knobs, turn to the OFF position; grasp firmly and pull straight off the shaft. To replace knobs after cleaning, line up the flat sides of both the knob and the shaft; then push the knob into place.</i>
Stainless Steel (some models) Oven Door & Drawer Front Panel	Cleaners made especially for stainless steel as Stainless Steel Magic, or other similar cleaners are recommended. Always follow the manufacturer's instructions. Be sure to rinse the cleaners as bluish stains may occur during heating and cannot be removed.
Sealed Burner Units Burner Cap, Trim Ring (some models), Burner Pans (some models), and Burner Base	The holes in the burner of your range must be kept clean at all times for proper ignition and a complete, even flame. Clean the burners routinely and especially after bad spillovers which could clog these holes. To remove, clean and replace the entire burner cap assembly, follow the instructions under General Cleaning. DO NOT put burner parts in the dishwasher.
Porcelain Enamel Burner Grates Cooktop, Broiler Pan and Insert, Door Liner, Body Parts and Warmer Drawer and Drawer Cavity	Clean in the dishwasher and dry upon removal. If soil are not removed, follow the cooktop cleaning instructions below. Gentle scouring with a soapy scouring pad will remove most spots. Rinse with a 1:1 solution of clear water and ammonia. If necessary, cover difficult spots with an ammonia-soaked paper towel for 30-40 minutes. Rinse with clear water and damp cloth, and then scrub with a soap-filled scouring pad. Rinse and wipe dry with a clean cloth. Remove all cleaners or the porcelain may become damage during future heating. DO NOT use spray oven cleaners on the rangetop.

General Cleaning (continued)

To Clean the Tempered-glass Cooktop (some models)

Unlike the standard gas range, **THIS COOKTOP IS NOT REMOVABLE**. Do not attempt to remove or lift the cooktop.

⚠ CAUTION Before cleaning the cooktop, be sure the controls are turned to **OFF** and the cooktop is **COOL**.

⚠ WARNING DO NOT use a cooktop cleaner on a hot cooktop. The fumes can be hazardous to your health, and can chemically damage the ceramic- glass surface. Be sure the controls are turned to **OFF**. **Do not use commercial oven cleaners on any part of the cooktop. Damage to the finish or parts could result.**

The cooktop is designed to make cleaning easier. Because the four burners are sealed, cleanups are easy when spillovers are cleaned up immediately. To clean, wipe with a clean, damp cloth and wipe dry.

Correct and consistent cleaning is essential to maintaining your heat-resistant glass top. Spills and splatters should be wiped up using a clean paper towel and sudsy water. This should be done either as soon as possible after spill occurs, after cooking is completed, or at the latest, before using the cooktop again. Use caution if the cooktop is hot. For heavy spills, spatter or burned-on materials, use razor blade scraper. Hold the razor blade scraper at a 30° angle and remove food spills or burned on food residue.

For sugary spillovers:

Sugary spills can cause pitting of your cooktop surface. Therefore, you must begin cleaning the spills while the cooktop is still hot.

Finish the cleaning process by applying a recommended heat- resistant glass cooktop cleaning cream. Apply cleaner with clean, damp paper towel. Rinse with a paper towel dampened with clean water and wipe dry. *Always wipe the cooktop thoroughly to avoid heating any cleaner residue.*



Do NOT use the following on the heat-resistant glass cooktop:

- Abrasive plastic, nylon, metal scouring or cloth pads. They may scratch the cooktop and make it more difficult to clean later. Always use a new, clean paper towel when cleaning the heat-resistant glass top.
- Anything that may melt (plastics, aluminum foil, sugar or food with a high sugar content).
- Heavy duty cleansers, rust or stain removers.
- Chlorine bleach, ammonia, hydrofluoric acid or any other kind of chemical cleaners. They may etch or discolor the cooktop.
- Sponges, cloths or dish towels. Always use a new, clean paper towel when cleaning the cooktop. Lint or soil remaining on the cooktop from a cloth or sponge can burn and cause discoloration.

To Clean the Burner Grates, Contoured Burner Pans, Burner Cap and Burner Base

The burner grates, contoured burner pans, burner caps and burner base should be routinely cleaned. Keeping the burner ports clean will prevent improper ignition and an uneven flame. See instructions below.

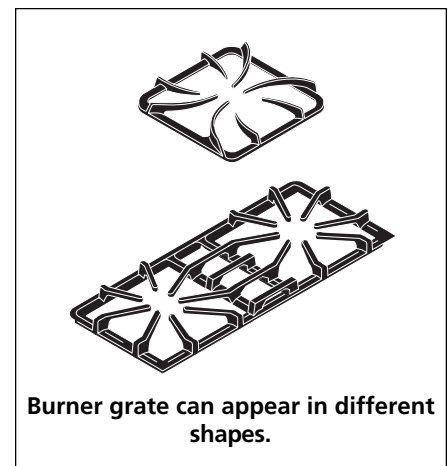
To Clean the Burner Grates

Be sure burners and grates are cool before you place your hand, a pot holder, cleaning cloths or other material on them. The cast iron burner grates can be washed in hot soapy water. Rinse thoroughly and dry the grates with a cloth - don't put them on the cooktop while still wet. Be sure the grates are positioned securely over the burners.

To remove burned on food, place the grates in a covered container or plastic bag. Add 1/4 cup ammonia and soak for 30 minutes. Wash, rinse well and dry. An abrasive cleaner can be used for stubborn stains.

To Clean the Contoured Burner Pans

The burner pans are attached to the cooktop and are not removable. The burner pan forms a recessed well area located around each burner unit. If spill occurs in one of the well areas, blot up spill with an absorbent cloth. Rinse with a clean, damp cloth and wipe dry.

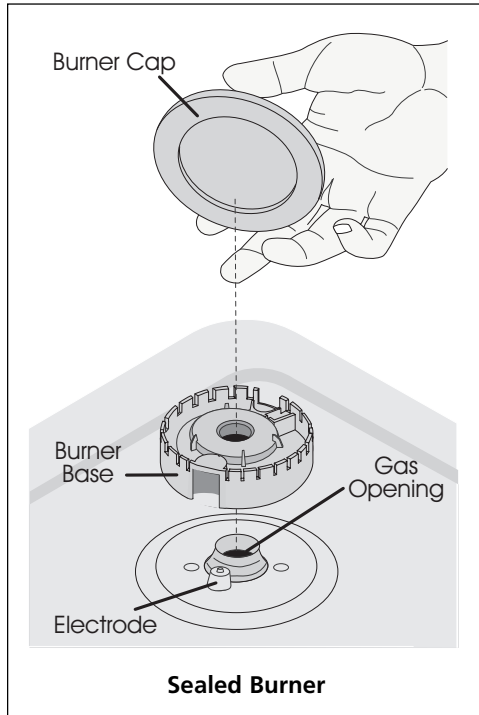


General Cleaning (continued)

To Clean the Burner Grates, Contoured Burner Pans, Burner Cap and Burner Base (continued)

To Clean the Burner Cap

Remove burner cap. Use a soap-filled pad or mild abrasive cleanser to clean burner caps. If necessary, cover stubborn spots with ammonia-soaked paper towel for minutes. Rub gently with a mixture of clean water and vinegar. Wipe dry. Remove all cleaners or the porcelain may become damaged during future heating.



To Clean the Removable Burner Base and Gas Opening (some models)

The ports (or slots) around the burner base must be routinely cleaned. Use a small-gauge wire or needle to clean small slots or holes.

Note: If the electrode is damaged or broken, the surface burner will not light because it will not spark. Manual lighting with a match is still possible.

For proper flow of gas and ignition of the burner - DO NOT ALLOW SPILLS, FOOD, CLEANING AGENTS OR ANY OTHER MATERIAL TO ENTER THE GAS OPENING TUBE. Gas must flow freely through the small hole in the brass orifice for the burners to light properly. If the gas opening orifice becomes soiled or clogged, use a small-gauge or needle to clean. ALWAYS keep the burner cap in place whenever a surface burner is in use.

To Replace the Burner Base and the Burner Cap

Make sure the pieces are thoroughly dry before placing back.

1. Replace burner base and burner cap at their place. Make sure each burner cap and burner base are properly aligned and leveled.
2. Replace the burner grate.
3. Turn the burner on to determine if it lights. If the burner does not light after cleaning, contact an authorized servicer. Do not service the sealed burner yourself.

Cleaning the Self-Clean Oven (some models)

Adhere to the following cleaning precautions:

- Allow the oven to cool before cleaning.
- Wear rubber gloves when cleaning any exterior parts of the oven manually.

CAUTION During the self-clean cycle, the outside of the wall oven can become very hot to the touch. DO NOT leave small children unattended near the appliance.

CAUTION The health of some birds is extremely sensitive to the fumes given off during the self-cleaning cycle of any range. Move birds to another well ventilated room.

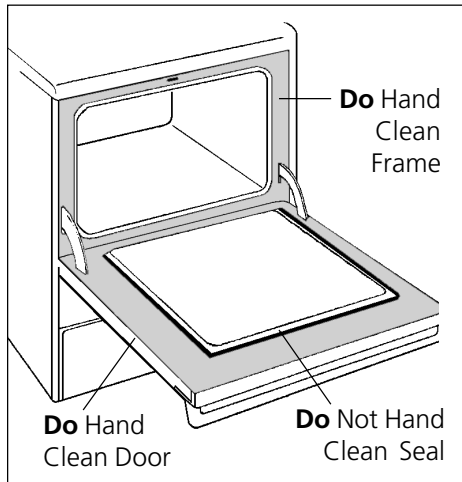
CAUTION Before cleaning any part of the oven, be sure the electronic oven control is turned off or else push CANCEL pad. Wait until the oven is cool.

DO NOT use commercial oven cleaners or oven protective coatings in or around any part of the self-cleaning oven. DO NOT clean the oven door gasket. The gasket on the oven door is essential for a good seal. Care should be taken not to rub, damage or move the gasket. DO NOT use cooking or foil could melt and damage the oven surface.

A self-cleaning oven cleans itself with high temperatures (well above cooking temperatures) which eliminate soil completely or reduce it to a fine powdered ash you can wipe away with damp cloth.

General cleaning (continued)

Cleaning the Self-Clean Oven (some models, continued)



Preparing the Oven for Self-Cleaning

1. Remove all excess spillovers in the oven cavity before starting the self-cleaning cycle. To clean, use hot soapy water and a cloth. Large spillovers can cause heavy smoke or fire when subjected to high temperatures. **DO NOT** allow food spills with a high sugar or acid content (such as tomatoes, sauerkraut, fruit juices or pie filling) to remain on the surface as they may cause a dull spot even after cleaning.
2. Clean any soil from the oven frame and the door liner (see illustration). These areas heat sufficiently during self-cleaning cycle to burn soil on. Clean with soap and water.
3. Remove the broiler pan and insert, all utensils and any foil. These items do not withstand high cleaning temperatures.
4. Oven racks may be left in the oven or may be removed. If they go through the clean cycle, their color will turn slightly dull. After the cycle is completed and the oven has cooled, rub the sides of the racks with wax paper or a cloth containing a small amount of baby oil or salad oil. This will make the racks glide easier.

What to Expect During Cleaning

While the oven is in operation, the oven heats to temperatures much higher than those used in normal cooking. Sounds of metal expansion and contraction are normal. Odor is also normal as the food soil is being removed. Smoke may appear through the oven vent, located on the top of the control panel.

If heavy spillovers are not wiped up before cleaning, they may flame and cause more smoke and odor than usual. This is normal and safe and should not cause alarm. If available, use an exhaust fan during the self-cleaning cycle.

NOTE: A smoke eliminator in the oven vent converts most of the soil into a colorless vapor.

Setting the Controls for Self-Clean Cycle

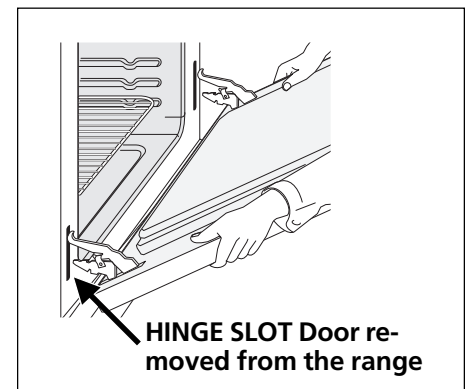
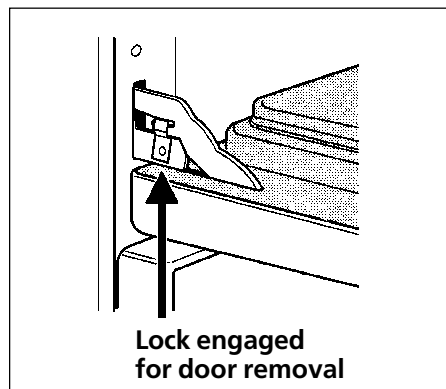
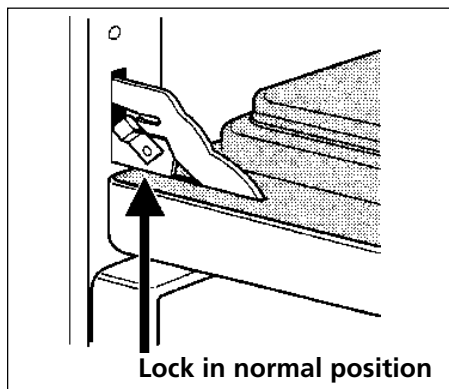
For the setting of the clean cycle, refer to Timer or Electronic Oven Control section.

To Remove and Replace Oven Door

1. Open the door to the fully opened position.
2. Pull up the lock located on both hinge supports and engage it in the hook of the hinge levers. You may have to apply a little downward pressure on the door to pull the locks fully over the hooks.
3. Grab the door by the sides, pull the bottom of the door up and toward you to disengage the hinge supports. Keep pulling the bottom of the door toward you while rotating the top of the door toward the range to completely disengage the hinge levers.
4. Proceed in reverse to reinstall the door.

Make sure the hinge supports are fully engaged before unlocking the hinge levers.

CAUTION The door is heavy. For safe, temporary storage, lay the door flat with the inside of the door facing down.



General Cleaning (continued)

Removable Outer Door Glass Panel (some models)

Applicable only to models with an external glass panel not held with a frame. This design allows you to clean the inside face of the exterior door panel as well as the hidden face of the door inner glass. There are two different kinds of glass panel; one with a lower metal trim fixed on the underside of the glass panel and the other one with a lower metal support rail.

To remove the external door glass panel:

1. Pull the door off the range as per instructions under **"To Remove and Replace Oven Door"** in "Cleaning the Appliance" section and lay the door flat.
2. Using a screwdriver, remove the screws fastening the glass lower metal trim or the glass assembly.
3. Grab both sides of the glass panel and slowly pull it out of the door upper moulding. Lay the glass flat.

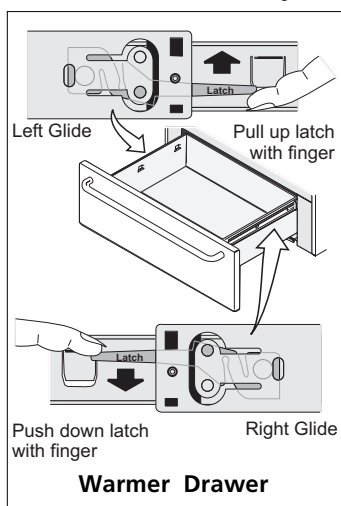
⚠ CAUTION Handle the glass panel with care. When dropped on a corner the glass panel may shatter in multiple fragments and you could get hurt.

⚠ CAUTION DO NOT remove the lower metal trim, which is fixed on the underside of the glass panel.

To replace the external door panel:

1. Grab the sides of the glass panel and carefully insert the glass into the door top moulding.
2. Replace the glass lower trim or the glass assembly using the locking screws.
3. Replace the door onto the range as per **"To Remove and Replace Oven Door"** in "Cleaning the Appliance" section.

To Remove and Replace Warmer Drawer (some models)



To remove Warmer Drawer

1. **⚠ CAUTION** Turn power off before removing the warmer drawer.
2. Open the drawer to the fully opened position.
3. Locate the latches on both sides of the warmer drawer.
4. Pull up on the left glide latch and push down on the right glide latch.
5. Pull the drawer away from the range.
6. To clean warmer drawer, gently scour with a soapy scouring pad, this will remove most spots. Rinse with a 1:1 solution of clear water and ammonia. If necessary, cover difficult spots with an ammonia-soaked paper towel for 30 to 40 minutes. Rinse with clean water and a damp cloth. Remove all cleaners or the porcelain may become damaged during future heating. DO NOT use spray oven cleaners on the cooktop.

To Replace Warmer Drawer:

1. Align the glide latches on both sides of the drawer with the slots on the drawer.
2. Push the drawer back into the range.



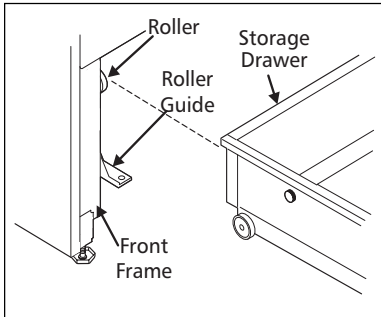
⚠ WARNING **Electrical Shock Hazard** can occur and result in serious injury or death. Disconnect appliance from electric power before cleaning and servicing the warmer drawer.

General Cleaning (continued)

Storage Drawer (some models)

Use the storage drawer for storing cooking utensils. The drawer can be removed to facilitate cleaning under the range. Use care when handling the drawer.

To open the storage drawer, push the drawer in gently and it will spring open. To close, push the drawer until you hear a click, which indicates that the spring is compressed, and the drawer is closed.



To remove the drawer:

1. Pull empty drawer out to the roller guide stop.
2. Tilt the drawer up and pull it out over the rollers.

To replace the drawer:

1. Insert the rear end of the drawer into the opening.
2. Fit the drawer end rollers onto the guide rails.
3. Push the drawer in until it stops, then lift to allow the rollers to clear the roller guide stop, and push in.

Changing Oven Light

CAUTION Be sure the oven is unplugged and all parts are COOL before replacing the oven light bulb. Do not turn the oven light on during the self-cleaning cycle. High temperature will reduce lamp life.

On some models an interior oven light will turn on automatically when the oven door is opened.

The oven light may be turned on when the door is closed by using the oven light switch located on the control panel.

On a self clean oven the lamp is covered with a glass shield held in place by a wire holder.

THIS GLASS SHIELD MUST BE IN PLACE WHENEVER THE OVEN IS IN USE.

To replace the light bulb:

CAUTION: BE SURE OVEN IS COOL

1. Turn the power off at the main source.
2. Wear a leather-faced glove for protection against possible broken glass.
3. Replace bulb with a 40 watt appliance bulb only.
4. For self-cleaning oven, press wire holder to one side to release glass shield, change bulb and be sure to replace glass shield.



Avoid Service Checklist

Before you call for service - read this

You may save the cost and inconvenience of an unnecessary service call by first reviewing this easy to use Avoid-Service Check List of the most frequently encountered situations that are not the result of defective workmanship or materials.

You will be charged for a service call while the appliance is in warranty if the problem is not caused by defective product workmanship or materials.

Your new appliance is a carefully engineered product. Many times, what appears to be a reason to call for service requires nothing more than a simple adjustment you can easily make in your own home or is normal operating characteristic of appliance under certain conditions.

This list is applicable to a variety of models; some of the items will not necessarily apply to your appliance.

PROBLEM

POSSIBLE CAUSE/SOLUTION

INSTALLATION

Range is not level.

Poor installation. Place oven rack in center of oven. Adjust leveling legs (slide-in models) at base of range until the oven rack is level.

Be sure floor is level and is strong and stable enough to adequately support range.

Avoid Service Checklist (continued)

PROBLEM	POSSIBLE CAUSE/SOLUTION
INSTALLATION (continued)	
Range is not level.	If floor is sagging or sloping, contact a carpenter to correct the situation. Kitchen cabinet alignment may make range appear unlevel. Be sure cabinets are square and have sufficient room for range clearance.
Cannot move appliance easily. Appliance must be accessible for service.	Cabinets not square or are built in too tightly. Contact builder or installer to make appliance accessible. Carpet interferes with range. Provide sufficient space so range can be lifted over carpet.
RANGE DOES NOT OPERATE	
Entire range or oven does not operate.	Make sure cord/plug is plugged tightly into outlet . Service wiring is not complete. Contact your dealer, installing agent or authorized servicer. Power outage. Check house lights to be sure. Call your local electric company for service.
Oven does not operate.	Oven control beeps and displays -F1-, -F3- or -F9-. Electronic control has detected a fault condition. Push the CANCEL pad to clear the display and stop the beeping. Reprogram oven. If fault recurs, record fault number, push CANCEL pad and contact authorized servicer.
Oven light does not work.	Replace or tighten bulb. See Changing Oven Light in this Owner's Guide for instructions.
Surface unit does not heat.	No power to the appliance. Check steps under "Entire Appliance Does Not Operate" in this Avoid Service Checklist . Incorrect control setting. Make sure the correct control is on for the surface unit to be used.
SURFACE UNITS	
Surface units too hot or not hot enough.	Incorrect control setting. Make sure the correct control is on for the surface unit to be used. Lightweight or warped pans used. Use only flat, evenly balanced, medium or heavyweight cookware. Flat pans heat better than warped pans. Cookware materials and weight of the material affect heating. Heavy-and medium- weight pans heat evenly. Because lightweight pans heat unevenly, foods may burn easily.
Drip bowls are pitting or rusting.	Foods with acids, such as tomatoes, if allowed to stand in/on bowls will cause corrosion. Remove and wash drip bowls as soon as possible after spillover. Normal environment. Houses along sea coast are exposed to salt air. Protect bowls as much as possible from direct exposure to salt air.
Drip bowls turning color or distorted out of shape.	Bottom surface of cookware extends beyond surface elements and touches cooktop surface. This can cause high enough temperatures to discolor the drip bowls. DO NOT use cookware of this type. Pan sizes should be matched to the size of the element. Replacement drip bowls may be purchased from your dealer.

Avoid Service Checklist (continued)

PROBLEM	POSSIBLE CAUSE/SOLUTION
CERAMIC GLASS COOKTOP (some models)	
Scratches or abrasions on cooktop surface.	Coarse particles such as salt or sand between cooktop and utensils can cause scratches. Be sure cooktop surface and bottoms of utensils are clean before usage. Small scratches do not affect cooking and will become less visible with time. Cleaning materials not recommended for ceramic-glass cooktop have been used. See "Ceramic-Glass Cooktop Cleaning" in the General Cleaning section. Cookware with rough bottom has been used. Use smooth, flat-bottomed cookware.
Metal marks.	Sliding or scraping of metal utensils on cooktop surface. Do not slide metal utensils on cooktop surface. Use a ceramic-glass cooktop cleaning creme to remove the marks. See "Ceramic-Glass Cooktop Cleaning" in the General Cleaning section.
Brown streaks or specks.	Boilovers are cooked onto surface. Use razor blade scraper to remove soil. See "Ceramic-Glass Cooktop Cleaning" in the General Cleaning section.
Areas of discoloration with metallic sheen.	Mineral deposits from water and food. Remove using a ceramic-glass cooktop cleaning creme. Use cookware with clean, dry bottoms.
GAS BURNERS COOKTOP (some models)	
Surface burners do not light.	Surface control knob has not been completely turned to LITE. Push in and turn the surface control knob to LITE (until burner ignites) and then turn the surface control knob to the desired flame size. Burner ports are clogged. Clean burners. See "To Clean the Burner Grates, Contoured Burner Pans, Burner Cap Assembly, Trim Ring and Burner Base" under General Cleaning. With the burner off, use small-gauge wire or needle to clean ports or slots. Electrical power outage (Electric Ignition models only), Check house lights to be sure. Call your local electric company for service. Surface burners can be lit manually. See Setting Surface Controls in this Owner's Guide. Gas supply is turned off. Turn gas supply on.
Surface burner flame burns half way around.	Burner ports or slots are clogged. With the burner off, clean by using a small-gauge wire or needle to clean ports or slots. Moisture is present after cleaning. Lightly fan the flame and allow the burner to operate until flame is full. Dry the burners thoroughly following instructions under General Cleaning .
Surface burner flame is orange.	Dust particles in main line. Allow the burner to operate a few minutes until flame turns blue. Salt air in coastal areas. A slightly orange flame is unavoidable.

Avoid Service Checklist (continued)

PROBLEM	POSSIBLE CAUSE/SOLUTION
POOR BAKING RESULTS	
Poor baking results.	Many factors affect baking results. Make sure the proper rack position is used. Center food in the oven and space pans to allow air to circulate. Allow the oven to preheat to the set temperature before placing food in the oven. Try adjusting the recipe's recommended temperature or baking time. If you feel the oven is too hot or cool, see Adjusting Oven Temperature in the Electronic Oven Control section.
Flames inside the oven or smoking from vent .	Excessive spillovers in oven. Set self-clean cycle for a longer cleaning time. Excessive spillovers in oven. This is normal, especially for pie spillovers or large amounts of grease on bottom of oven. Wipe up excessive spillovers before starting cycle. If flames or excessive smoke are present, stop the self-clean cycle and follow steps under "To Stop or Interrupt a Self-Cleaning Cycle" in the Electronic Oven Control section.
BROILING	
Oven smokes excessively during broiling.	Control(s) not set properly. Follow instructions under Setting Oven Controls in the Electronic Oven Control section. Make sure oven door is opened to broil stop position . Meat too close to the element. Reposition the rack to provide proper clearance between the meat and the element. Preheat broil element for searing. Meat not properly prepared. Remove excess fat from meat. Cut remaining fatty edges to prevent curling, but do not cut into lean. Grid on broiler pan wrong side up and grease not draining. Always place grid on the broiler pan with ribs up and slots down to allow grease to drip into pan. Grease has built up on oven surfaces. Regular cleaning is necessary when broiling frequently. Old grease or food spatters cause excessive smoking.
SELF CLEANING OVEN (some models)	
Self-cleaning cycle does not work.	Control(s) not set properly. Follow instructions under Oven Cleaning in the Electronic Oven Control section. Self-cleaning cycle was interrupted. Stop time must be set 3 to 4 hours past the start time. Follow steps under To Stop or Interrupt a Self-Cleaning Cycle in the Electronic Oven Control section
Soil not completely removed after self-cleaning cycle.	Failure to clean bottom, front top of oven, frame or door area outside oven seal. These areas are not in the self-cleaning area, but get hot enough to burn on residue. Clean these areas before the self-cleaning cycle is started. Burned-on residue can be cleaned with a stiff nylon brush and water or nylon scrubber. Be careful not to damage the oven seal.

Avoid Transportation Damage to your Range

If you have to move your range into/out of your residence or when moving to a new home, it is suggested that you take the following precautions:

1. Screw in the levelling legs under the range.
2. Remove the racks and other utensils from the oven, and from the lower drawer.
3. Use adhesive tape to firmly secure the door and the drawer to the side panels. Also attach the electric power cord in the same manner.
4. Use a two-wheeled trolley with strap and fasten the range to it. Cover the appliance with a heavy blanket to prevent scratches and dents.
5. Avoid pulling or pushing the control panel when moving the appliance.

Warranty Information

RANGE WARRANTY

Your range is protected by this warranty

	WARRANTY PERIOD	THROUGH OUR AUTHORIZED SERVICERS, WE WILL:	THE CONSUMER WILL BE RESPONSIBLE FOR:
FULL ONE-YEAR WARRANTY	One year from original purchase date	Pay all costs for repairing or replacing any parts of this appliance which prove to be defective in materials or workmanship.	Costs of service calls that are listed under NORMAL RESPONSIBILITIES OF THE CONSUMER. *
LIMITED 2ND-5TH YEAR WARRANTY (Glass Smoothtop, Seal & Elements)	Second through fifth years from original purchase date	Provide a replacement for any defective surface heating element, deteriorated rubberized-silicone seal (upswept models only), or glass smoothtop that cracks due to thermal breakage (not customer abuse).	Diagnostic and any transportation and labor costs which are required because of service.
LIMITED WARRANTY (Applicable to the State of Alaska)	Time periods listed above.	All of the provisions of the full and limited warranties above and the exclusions listed below apply.	Costs of the technician's travel to the home and any costs for pick up and delivery of the appliance required because of service.

In the U.S.A., your appliance is warranted by Electrolux Home Products North America, a division of White Consolidated Industries, Inc. We authorize no person to change or add to any of our obligations under this warranty. Our obligations for service and parts under this warranty must be performed by us or an authorized Electrolux Home Products North America servicer. **In Canada**, your appliance is warranted by Electrolux Canada Corp.

*NORMAL RESPONSIBILITIES OF THE CONSUMER

This warranty applies only to products in ordinary household use, and the consumer is responsible for the items listed below:

1. Proper use of the appliance in accordance with instructions provided with the product.
2. Proper installation by an authorized servicer in accordance with instructions provided with the appliance and in accordance with all local plumbing, electrical and/or gas codes.
3. Proper connection to a grounded power supply of sufficient voltage, replacement of blown fuses, repair of loose connections or defects in house wiring.
4. Expenses for making the appliance accessible for servicing, such as removal of trim, cupboards, shelves, etc., which are not a part of the appliance when it was shipped from the factory.
5. Damages to finish after installation.
6. Replacement of light bulbs and/or fluorescent tubes (on models with these features).

EXCLUSIONS

This warranty does not cover the following:

1. CONSEQUENTIAL OR INCIDENTAL DAMAGES SUCH AS PROPERTY DAMAGE AND INCIDENTAL EXPENSES RESULTING FROM ANY BREACH OF THIS WRITTEN OR ANY IMPLIED WARRANTY.
NOTE: Some states do not allow the exclusion or limitation of incidental or consequential damages, so this limitation or exclusion may not apply to you.
2. Service calls which do not involve malfunction or defects in workmanship or material, or for appliances not in ordinary household use. The consumer shall pay for such service calls.
3. Damages caused by services performed by servicers other than Electrolux Home Products North America or its authorized servicers; use of parts other than genuine Electrolux Home Products parts; obtained from persons other than such servicers; or external causes such as abuse, misuse, inadequate power supply or acts of God.
4. Products with original serial numbers that have been removed or altered and cannot be readily determined.

IF YOU NEED SERVICE

Keep your bill of sale, delivery slip, or some other appropriate payment record. The date on the bill establishes the warranty period should service be required. If service is performed, it is in your best interest to obtain and keep all receipts. This written warranty gives you specific legal rights. You may also have other rights that vary from state to state. Service under this warranty must be obtained by contacting Electrolux Home Products:

USA
1•800•944•9044
 Electrolux Home Products
 North America
 P.O. Box 212378
 Augusta, GA 30917

Canada
1•866•294•9911
 Electrolux Home Products
 North America
 802, boul. L'Ange-Gardien
 L'Assomption, Québec
 J5W 1T6

This warranty only applies in the 50 states of the U.S.A., Puerto Rico, and Canada. Product features or specifications as described or illustrated are subject to change without notice. All warranties are made by Electrolux Home Products North America, a division of White Consolidated Industries, Inc. **In Canada**, your appliance is warranted by Electrolux Canada Corp.

Manuel d'utilisation et d'entretien

Cuisinières encastrables

à alimentation mixte

CONTENU

Page

Enregistrement du produit	2
Mesures de sécurité importantes	3-5
Choix des ustensiles de cuisine pour la cuisson sur les foyers	5
Casseroles et sous-plats particuliers	6
Conseils et renseignement sur la mise en conserve	6
Conversion au propane	7
Dimension de la flamme	7
Bon réglage des brûleurs	7
Réglage des commandes des brûleurs de surface	8
Avant de régler les commandes du four	8
Réglage des commandes du four	8
Avant de régler la commande du tiroir réchaud	9
Réglage de la commande du tiroir réchaud	9-10
Cuisson par convection	10
Rôtissage par convection	10
Cuisson au four	11
Circulation de l'air dans le four	11
Cuisson au grill	12
Nettoyage général	13-18
Remplacement de l'ampoule	18
Liste des vérifications préventives	18-21
Garantie	22

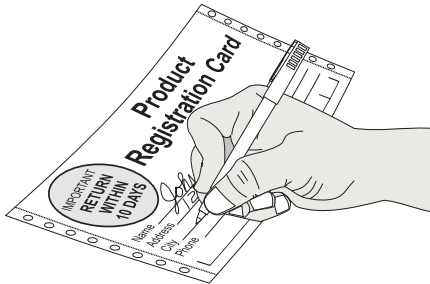
Consultez notre site web Frigidaire à:

<http://www.frigidaire.com>

Enregistrement du produit

Enregistrez votre appareil

La CARTE D'ENREGISTREMENT doit être remplie avec soin, puis signée et retournée à la compagnie Produits Electrolux Nord-Américains.



Merci d'avoir choisi cet appareil. Les renseignements contenus dans ce **Guide de l'utilisateur** expliquent comment utiliser et entretenir l'appareil. Lisez les documents qui accompagnent l'appareil pour en savoir davantage sur cet appareil.

Enregistrez les numéros de modèle et de série de votre appareil

Écrivez ci-dessous ces numéros que vous trouverez sur la plaque signalétique qui se trouve à l'angle supérieur gauche du cadre de la porte du four ou dans la cavité prévue pour le tiroir et qui est visible lorsque ce dernier est ouvert.

Numéro de modèle: _____

Numéro de série: _____

Date de l'achat: _____

Ce guide donne des instructions générales pour votre appareil et des renseignements s'appliquant à plusieurs modèles. Votre appareil peut ne pas avoir toutes les caractéristiques décrites. Les figures montrées dans ce manuel sont représentatives et peuvent ne pas illustrer identiquement les caractéristiques de votre appareil.

Note: Les instructions données dans ce guide ne couvrent pas toutes les conditions et situations possibles. Faites preuve de bon sens et de prudence lors de l'installation, de l'emploi et de l'entretien de tout appareil ménager.

Important: Garder votre facture.

La période de garantie débute à la date indiquée. Placez-la dans un endroit où vous la retrouvez facilement. Si vous devez faire réparer votre appareil alors qu'il est sous garantie, on pourrait exiger de voir votre facture.



⚠ AVERTISSEMENT Si l'information contenue dans ce guide n'est pas exactement suivie, il pourra en résulter un feu ou une explosion entraînant des dommages matériels, des blessures ou même la mort.

POUR VOTRE SÉCURITÉ:

N'entreposez pas ou n'utilisez pas de l'essence ou tout autre vapeur ou liquide inflammable au voisinage de cet appareil ou de tout autre appareil ménager.

QUE FAIRE SI VOUS DÉTECTEZ UNE ODEUR DE GAZ:

- Ne mettez pas d'appareil en marche.
- Ne touchez pas à un commutateur électrique; ne vous servez pas du téléphone dans le bâtiment.
- Allez chez le voisin et appelez immédiatement le fournisseur de gaz. Suivez ses instructions.
- S'il n'est pas possible d'appeler le fournisseur de gaz, appelez les pompiers.

L'installation et l'entretien doivent être réalisés par un installateur qualifié, un technicien de service après-vente ou le fournisseur de gaz.

⚠ AVERTISSEMENT

Pour réduire le risque

- Toutes les cuisinières peuvent se renverser.
 - Il peut en résulter des blessures.
 - Installez les supports anti-renversement fournis avec l'appareil
 - Voyez les instructions d'installation.
- de renversement de la cuisinière, celle-ci doit être correctement fixée par des supports anti-renversement, fournis avec la cuisinière. Pour vérifier si ces supports sont correctement installés, agrippez le haut du panneau arrière de la cuisinière et penchez-la vers l'avant, lentement, afin de vous assurer que la cuisinière est retenue par les supports anti-renversement. Reportez-vous aux instructions d'installation Pour bien connaître l'installation des supports anti-renversement.



MESURES DE SÉCURITÉ IMPORTANTES

Lisez ces instructions avant d'utiliser l'appareil.
Conservez ces instructions pour références futures.

Ce guide contient des instructions et symboles de sécurité importants. Veuillez faire particulièrement attention à ces symboles et suivre les instructions données. Voici une brève explication de ces symboles.

⚠️ AVERTISSEMENT Ce symbole vous prévient des situations qui risquent d'entraîner de graves blessures, la mort ou des dommages matériels.

⚠️ ATTENTION Ce symbole vous prévient des situations pouvant entraîner des blessures ou dommages matériels.

- **Enlevez tout le ruban et le matériau d'emballage avant d'utiliser la cuisinière. Détruisez le cartonnage et les sacs en plastique après le déballage de l'appareil.** Ne laissez jamais les enfants jouer avec le matériau d'emballage.
- **Installation—Assurez-vous que l'appareil est correctement installé et mis à la terre par un technicien qualifié, conformément à la dernière édition de la norme CAN/CGA B149.1 et CAN/CGA B149.2 et au code canadien de l'électricité, partie 1, ainsi qu'aux codes de la région.** N'installez l'appareil que selon les instructions d'installation fournies dans la documentation.
- **Ne laissez pas les enfants seuls ou sans surveillance dans un lieu où un appareil fonctionne.** Ne les laissez jamais s'asseoir ou se tenir debout sur une pièce quelconque de l'appareil.
- **NE TOUCHEZ PAS LES BRÛLEURS DE SURFACE, LES GRILLES, LES ZONES PRÈS DE CES BRÛLEURS, LES ÉLÉMENTS CHAUFFANTS OU SURFACES INTÉRIEURES DU FOUR OU DU TIROIR-RÉCHAUD (SI FOURNI).** Les brûleurs de surface et éléments chauffants du four peuvent être suffisamment chauds même si leur couleur est foncée. Les zones près des brûleurs et des éléments peuvent devenir suffisamment chaudes pour causer des brûlures. Pendant et après toute utilisation, ne touchez pas et ne laissez pas les vêtements ou autres produits inflammables venir en contact avec ces zones, à moins qu'elles aient eu le temps de se refroidir. Ces zones comprennent la surface de cuisson, les surfaces orientées vers elle, la sortie d'air chaud du four et les zones à proximité, la porte du four et la fenêtre.

Demandez à votre marchand de vous recommander un technicien qualifié ainsi qu'un centre de réparation autorisé. Sachez comment couper le courant électrique de la cuisinière à la boîte de fusibles ou au coupe-circuit en cas d'urgence.

- **Entretien par l'utilisateur—Ne réparez pas ou ne remplacez pas des pièces de l'appareil à moins d'une recommandation précise dans les guides.** Toutes les réparations doivent être faites par un technicien qualifié, afin de réduire les risques de blessure et de dommage à l'appareil.
- **Portez des vêtements appropriés—Ne portez jamais de vêtements amples ou flottants en utilisant cet appareil.** Ne laissez pas les matériaux inflammables et les vêtements venir en contact avec des surfaces chaudes.
- **Ne modifiez jamais l'appareil, que ce soit en enlevant des panneaux, pieds de nivellement, protège-fils, supports/vis anti-renversement ou toute autre pièce.**

⚠️ AVERTISSEMENT Il peut être dangereux pour les personnes ou dommageable pour l'appareil de monter, s'appuyer, ou s'asseoir sur la porte ou le tiroir de la cuisinière. Ne permettez pas aux enfants de grimper ou de jouer autour de la cuisinière. Le poids d'un enfant sur une porte ouverte peut faire basculer l'appareil et causer des brûlures ou d'autres blessures.

⚠️ AVERTISSEMENT N'utilisez pas le four ou le tiroir réchaud (si fourni) de la cuisinière pour entreposer des articles.

- **Rangement dans ou sur l'appareil—Ne rangez pas dans le four, ou près des éléments, ou dans le tiroir (le cas échéant) des matériaux inflammables.** Ceci inclus des papiers, plastiques, tissus, livres de cuisine, objets en plastique et torchons, ainsi que les liquides inflammables. N'y déposez pas ou ne rangez pas des produits explosifs comme une bombe aérosol. Les produits inflammables pourraient exploser et allumer un feu ou causer des dommages matériels.
- **⚠️ AVERTISSEMENT** N'utilisez jamais votre appareil pour réchauffer ou chauffer une pièce.
- **N'éteignez pas les feux de friture avec de l'eau ou de la farine—Étouffez les feux avec un couvercle ou du bicarbonate de soude, ou avec un extincteur à poudre sèche ou à mousse.**
- **⚠️ AVERTISSEMENT** En cas de feu ou fuite de gaz, fermez le robinet principal d'alimentation de gaz.
- **En chauffant de l'huile ou de la graisse, restez près de l'appareil.** La graisse ou l'huile peuvent prendre feu si elles devenaient trop chaudes.
- **N'utilisez que des gants isolants secs—Des gants mouillés ou humides en contact avec des surfaces chaudes peuvent causer des brûlures par la vapeur.** Ne laissez pas les gants isolants toucher les brûleurs chauds. Ne vous servez pas d'un torchon ni d'un chiffon à la place d'un gant.
- **Ne réchauffez pas des contenants non ouverts—L'accumulation de pression peut faire exploser le contenant et causer des blessures.**
- **Enlevez la porte de tout appareil inutilisé qui doit être entreposé ou mis aux rebus.**

⚠️ ATTENTION Ne rangez pas des articles pouvant intéresser les enfants dans les armoires au-dessus de l'appareil.

MESURES DE SÉCURITÉ IMPORTANTES (suite)

- **IMPORTANT—N'essayez pas de faire fonctionner l'appareil pendant une panne de courant. Lorsqu'il se produit une panne de courant, éteignez toujours le four.** Si ce dernier n'est pas éteint, il recommencera à chauffer lorsque le courant reviendra. Les aliments laissés sans surveillance pourraient prendre feu ou se détériorer.

⚠ AVERTISSEMENT Bonne dimension de la flamme—réglez la flamme pour qu'elle ne dépasse pas du bord de l'ustensile. Avec des ustensiles de dimension insuffisante, une partie de la flamme du brûleur sera exposée et risquera de mettre le feu aux vêtements. Un bon contact entre l'ustensile et la flamme améliore aussi l'efficacité.

⚠ AVERTISSEMENT N'utilisez pas des grilles de réchaud sur vos brûleurs à gaz scellés. Sinon, la combustion serait incomplète et il pourrait en résulter un dégagement de monoxyde de carbone à des doses supérieures aux niveaux admis, ce qui serait dangereux pour votre santé.

⚠ ATTENTION Les températures froides peuvent endommager le contrôleur électronique. Si c'est la première fois que vous faites fonctionner la cuisinière, ou qu'elle n'a pas été utilisée depuis longtemps, assurez-vous que celle-ci a été exposée à une température au dessus de 0°C/32°F pendant au moins 3 heures avant de mettre l'appareil sous tension électrique.

INSTRUCTIONS DE SÉCURITÉ IMPORTANTES POUR L'UTILISATION DE VOTRE SURFACE DE CUISSON

- **Vous devez savoir quel bouton commande chacun des brûleurs de la surface de cuisson. Réglez** toujours le bouton tout d'abord à LITE pour allumer un brûleur. Vérifiez que le brûleur est bien allumé. Réglez ensuite la flamme pour qu'elle n'excède pas le fond de l'ustensile de cuisine.
- **Utilisez la grosseur de casserole appropriée.** Cet appareil est équipé d'un ou de plusieurs brûleurs de surface de différentes grosseurs. Choisissez les ustensiles ayant un dessous plat, assez large pour recouvrir le brûleur. Si vous utilisez des ustensiles trop petits, une partie de l'élément sera à découvert, et les vêtements entrant directement en contact avec le brûleur sont susceptibles de prendre feu. L'utilisation d'ustensiles d'une taille proportionnelle au brûleur améliore aussi le rendement.
- **Les poignées d'ustensiles doivent être tournées vers l'intérieur, sans surplomber les brûleurs adjacents,** afin de réduire les risques de brûlure, de combustion et de renversement causés par le contact involontaire avec un ustensile. La poignée d'un ustensile doit être placée vers l'intérieur et non au dessus des brûleurs de surface adjacents.
- **Ne laissez jamais les brûleurs sans surveillance.** Les débordements causent de la fumée, les éclaboussures de graisse sont susceptibles de prendre feu et les ustensiles dont le contenu s'est évaporé peuvent fondre.

- **Protecteurs.** N'utilisez pas de papier d'aluminium pour recouvrir les cuvettes de brûleur, le fond du four ou toute autre partie de l'appareil. Utilisez seulement le papier d'aluminium pour recouvrir la nourriture durant la cuisson au four. Toute autre utilisation de protecteurs ou de papier aluminium est susceptible de causer un choc électrique, un feu ou un court-circuit.

- **Ustensiles vitrifiés.** En raison des brusques changements de température, on ne peut utiliser avec la surface de cuisson que certains ustensiles en verre, en vitrocéramique, en céramique ou en terre cuite, ou autres ustensiles vitrifiés, sans risquer qu'ils se fendent. Vérifiez les recommandations du fabricant quant à leur utilisation sur une surface de cuisson.

- **N'utilisez pas de couvercle décoratifs pour brûleurs.** Si un brûleur est accidentellement allumé, le couvercle risque de chauffer et éventuellement de fondre. Vous ne verrez pas que le brûleur est allumé. Vous risquez de vous brûler en touchant les couvercles. Aussi, il y a risque d'endommagement de la surface de cuisson et des brûleurs s'il y a surchauffe de couvercle. L'air aussi bloqué, ce qui entraînera des problèmes de combustion.

INSTRUCTIONS IMPORTANTES POUR L'UTILISATION DE VOTRE FOUR

- **Soyez prudent en ouvrant la porte du four ou le tiroir-réchaud (si fourni)—**Tenez-vous sur le côté de l'appareil pour ouvrir la porte d'un four ou un tiroir-réchaud chaud. Laissez d'abord la vapeur ou l'air chaud s'échapper avant de retirer ou de placer des aliments dans le four ou le tiroir-réchaud.
- **Ne bloquez pas les orifices d'aération.** La ventilation du four se produit à travers la surface de cuisson. Toucher les surfaces de cette zone pendant le fonctionnement du four peut causer de graves brûlures. Ne placez aucun objet en plastique ou conducteur de chaleur à proximité de l'évent. Ils risquent de fondre ou de prendre feu.
- **Installation des grilles du four ou des grilles du tiroir-réchaud (si fourni).** Disposez toujours les grilles à l'emplacement désiré lorsque le four ou le tiroir-réchaud est froid. Enlevez tous les ustensiles qui se trouvent sur la grille avant de la retirer. Pour déplacer une grille lorsque le four est chaud, soyez extrêmement prudent. Utilisez des gants isolants et tenez la grille fermement avec les deux mains pour la remettre en place. Ne touchez pas l'élément chaud ou l'intérieur du four avec des poignées.
- **Ne vous servez pas de la lèchefrite sans utiliser le couvercle qui l'accompagne.** Le couvercle permet à la graisse de s'égoutter au fond de la lèchefrite, à l'abri de la chaleur intense du gril.
- **Ne recouvrez pas le couvercle de la lèchefrite ou la grille du tiroir-réchaud de papier aluminium.** L'huile et la graisse qui s'y accumulent peuvent prendre feu.
- **Ne touchez pas l'ampoule du four avec un linge mouillé pendant qu'elle est chaude.** Si vous le faites, elle risque de se briser. Débranchez l'appareil ou coupez le courant avant d'enlever l'ampoule et de la remplacer.

MESURES DE SÉCURITÉ IMPORTANTES (suite)

INSTRUCTIONS IMPORTANTES POUR LE NETTOYAGE DE VOTRE CUISINIÈRE

- **Nettoyez régulièrement votre cuisinière pour enlever la graisse sur toutes ses parties, car cette graisse risque de prendre feu.** Le ventilateur d'évacuation des hottes et les filtres de graisse doivent demeurer propres en tout temps. Ne laissez pas la graisse s'y accumuler. Les accumulations de graisse dans le ventilateur pourraient prendre feu. Reportez-vous aux instructions du fabricant sur le nettoyage de la hotte.
- **Nettoyant / Aérosols.** Suivez toujours les recommandations du fabricant, quant à leur utilisation. Sachez que les résidus excessifs de nettoyeurs et d'aérosols risquent de prendre feu et de causer des dommages et/ou des blessures.

FOURS AUTONETTOYANTS

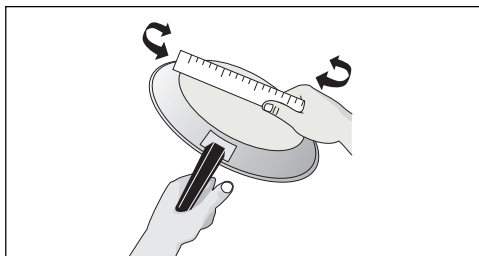
- **Ne nettoyez dans le cycle autonettoyant que les parties du four énumérées dans le présent Guide de l'utilisateur.** Avant d'utiliser le cycle autonettoyant, enlevez la lèchefrite et tout ustensile se trouvant dans le four.
- **Ne nettoyez pas le joint d'étanchéité de la porte.** Faites attention pour ne pas le frotter, l'endommager ou le déplacer.
- **N'utilisez pas de nettoyeur commercial pour four.** Vous ne devez utiliser aucun nettoyeur commercial pour four, ni aucun enduit protecteur à l'intérieur ou sur toute partie du four.
- **Retirez les grilles du four.** Les grilles changeront de couleur si elles sont laissées dans le four durant un cycle d'autonettoyage.

ATTENTION Certains oiseaux sont très vulnérables aux gaz dégagés lors du nettoyage des fours auto-nettoyants; ils doivent être placés dans une autre pièce, bien aérée.

CONSERVEZ CES INSTRUCTIONS

Choix des ustensiles de cuisine pour la cuisson sur les foyers

Pour obtenir de bons résultats et conserver l'énergie, choisissez des ustensiles de cuisine possédant les caractéristiques suivantes:

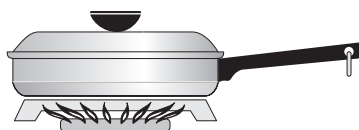


Le fond des casseroles doit être plat. Vérifiez que le fond est plat en faisant tourner une règle sur le fond de la casserole. Il ne devrait pas y avoir d'espace entre la casserole et la règle.

Remarque: Utiliser toujours les ustensiles pour l'usage auquel ils ont été conçus. Suivez les instructions du fabricant. Certains ustensiles de cuisine ne peuvent être utilisés au four ou sur les foyers.

Remarque: L'utilisation d'une plaque recouvrant plus d'un brûleur n'est pas conseillée. Cette pratique pourrait endommager votre appareil et occasionner un dégagement de monoxyde de carbone à des doses supérieures des niveaux admis, ce qui serait dangereux pour votre santé.

*BON



- **Fond plat** et côtés droits.
- Couvercles qui ferment hermétiquement.
- Le poids du manche ne fait pas basculer la casserole. La casserole est bien équilibrée.
- Les tailles des casseroles correspondent à la quantité d'aliments à faire cuire.
- Matériau qui conduit bien la chaleur.
- Facile à nettoyer.

MAUVAIS

- Fonds incurvés et déformés.



- La casserole déborde du brûleur de plus de 2.5 cm (1").



- Le manche est trop lourd et fait basculer la casserole.

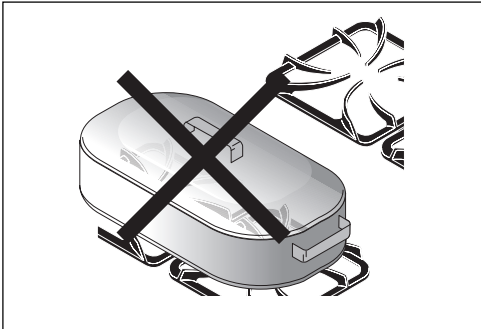
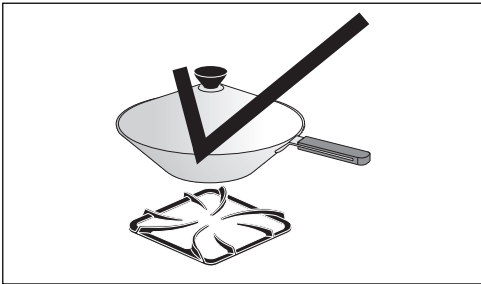


- La flamme déborde des bords de la casserole.



- * Les casseroles de forme particulière comme les casseroles à homard, les woks à fond plat, les plaques chauffantes et les autocuiseurs peuvent être utilisées, mais elles doivent respecter les normes décrites ci-dessus.

Casseroles et sous-plats particuliers



La plupart des boutiques d'articles de cuisine et des quincailleries offrent des **Woks** à fond plat qui conviennent à cette surface de cuisson. Les woks à fond rond (pourvus d'un anneau de support qui ne dépasse pas le contour le brûleur) peuvent également être utilisés. L'anneau métallique est conçu pour soutenir le wok de façon sécuritaire lorsqu'il contient une grande quantité de liquide (soupe) ou de graisse (friture).

NE PAS utiliser un wok pourvu d'un anneau métallique de support qui dépasse le contour du brûleur. Étant donné que cet anneau retient la chaleur, il pourrait endommager le brûleur ou la surface de cuisson.



Sous-plats métalliques : Ne pas utiliser de sous-plats métalliques. Le fond de la casserole doit être en contact direct avec la grille du brûleur.

ATTENTION NE PAS utiliser deux brûleurs à la fois pour chauffer une grande casserole comme une rôtissoire ou une plaque chauffante, ni laisser chauffer l'ustensile jusqu'à ce que tout le liquide s'évapore. Dans ces deux cas, le fond de la casserole risquerait de décolorer ou de craqueler la surface de cuisson de l'appareil et d'endommager les grilles et les brûleurs.

Conseils et renseignements sur la mise en conserve

ATTENTION La mise en conserve peut générer une grande quantité de vapeur. User d'une grande prudence pour prévenir les blessures. Toujours soulever le couvercle de façon à diriger la vapeur à l'opposé des personnes.



1. Utiliser des recettes éprouvées et suivre les directives attentivement. Consulter un service de vulgarisation agricole ou un fabricant de bocaux en verre pour les données les plus récentes sur la mise en conserve.
2. Utiliser uniquement des casseroles de mise en conserve à fond plat. La chaleur se répartit plus uniformément lorsque le fond de la casserole est plat.
3. Centrer la casserole de mise en conserve sur la grille du brûleur.
4. Verser de l'eau chaude dans la casserole et régler le brûleur à une température élevée pour accélérer l'ébullition; réduire la température le plus possible tout en maintenant une ébullition constante.
5. Il est préférable de mettre de petites quantités d'aliments en conserve à la fois.

ATTENTION Pour ne pas endommager la surface de cuisson ou la grille des brûleur :

1. Ne pas utiliser les grandes casseroles ou les autocuiseurs de mise en conserve qui dépassent de plus de 2,5 cm (1 ") la grille du brûleur.
2. Ne pas laisser les grandes casseroles ou les autocuiseurs de mise en conserve à une température élevée trop longtemps.
3. Utiliser un brûleur différent pour chaque nouvelle charge de mise en conserve pour permettre au brûleur et à la surface avoisinante de refroidir. Éviter d'utiliser le même brûleur pendant toute une journée pour la mise en conserve.

ATTENTION Pour que la mise en conserve soit sécuritaire, les micro-organismes dangereux doivent être détruits et les pots bien scellés. Lorsqu'une grande casserole de mise en conserve est utilisée, il faut maintenir une ébullition légère mais constante pendant toute la durée requise.

Conversion au propane

La table de cuisson de cet appareil peut fonctionner au gaz naturel ou au propane. L'appareil peut fonctionner au gaz naturel seulement à sa sortie de l'usine.

Si vous désirez convertir votre table de cuisson au propane, servez-vous des orifices fixes fournis dans l'enveloppe portant l'inscription "POUR CONVERSION AU GAZ PROPANE" qui se trouve dans la pochette documents. Suivez les instructions d'installation se trouvant dans l'enveloppe.

La conversion doit être réalisée par un technicien qualifié conformément aux instructions du fabricant et de tous les codes et exigences des autorités ayant juridiction. Sinon, il pourrait en résulter de graves blessures ou des dommages matériels. L'agence qualifiée réalisant ces travaux assume la responsabilité de la conversion.

⚠ AVERTISSEMENT Un choc électrique ou des dommages à la table de cuisson peuvent se produire si celle-ci n'est pas installée par un électricien ou installateur qualifié.

Dimension de la flamme

Pour presque tous les types de cuisson, commencez par le réglage le plus élevé, puis tournez sur un réglage plus faible pour terminer la cuisson. Suivez le tableau ci-dessous pour déterminer la bonne dimension de la flamme correspondant aux différents types de cuisson. La dimension et le type d'ustensiles utilisés ainsi que la quantité d'aliments à cuire influencent le réglage nécessaire pour la cuisson.

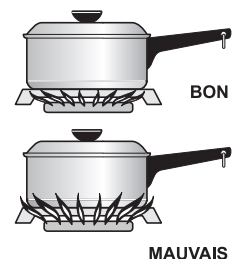
Pour la grande friture, servez-vous d'un thermomètre et réglez la commande en conséquence. Si la graisse est trop froide, la nourriture absorbe la graisse. Si la graisse est trop chaude, la nourriture brunit rapidement et le centre n'est pas cuit. N'essayez pas de frire à un feu élevé une trop grande quantité à la fois, la nourriture risquant de brunir ou de ne pas cuire correctement.

*Dimension de la flamme Type de cuisson

Flamme haute (HI)	Pour débiter la cuisson, pour faire bouillir de l'eau, pour faire griller de la viande.
Flamme moyenne (MED)	Maintien d'une ébullition lente; épaissement des sauces; cuisson à la vapeur.
Flamme basse (LO)	Mijotage, pochage, continuation de la cuisson.

* Certains réglages sont basés sur l'utilisation de casseroles en aluminium de poids moyen avec couvercle. Les réglages peuvent varier avec d'autres types de casseroles.

Ne laissez jamais la flamme dépasser du bord extérieur de l'ustensile. Une flamme plus haute gêne chaleur et énergie et augmente les risques de brûlure.



Bon réglage des brûleurs

La couleur de la flamme est la clé d'un bon réglage. La flamme doit être transparente, bleue, et à peine visible dans une pièce bien éclairée. Le cône doit être uniforme, aux contours précis. Réglez ou nettoyez le brûleur si la flamme est jaune-orange. Pour nettoyer le brûleur, voyez les instructions à la section **Nettoyage général**.

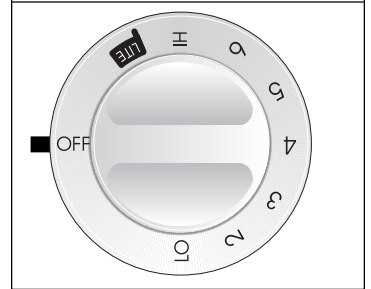
Réglage des commandes des brûleurs de surface

Chaque brûleur s'allume avec un allumeur électrique chaque fois que vous tournez un bouton de commande à la position d'allumage «LITE».

Emploi du brûleur de surface:

1. Placez l'ustensile sur le brûleur.
2. Appuyez sur le bouton de commande et tournez-le sur "LITE" (ALLUMAGE).
3. Vérifiez que le brûleur est bien allumé.
4. Après allumage du brûleur, tournez le bouton jusqu'à l'obtention de la dimension de la flamme voulue. Le bouton peut alors être tourné à droite ou à gauche sans avoir à être poussé. Les boutons n'ont pas à être réglés à un repère particulier. Servez-vous des guides et réglez la flamme au besoin. Ne cuisez PAS avec le bouton à la position "LITE" (ALLUMAGE), vous risquez d'user l'électrode de l'allumeur.
5. Pour arrêter le brûleur, tournez le bouton de commande jusqu'à la position "OFF" (ARRÊT).

Le bouton de commande montré ci-bas peut ne pas être identique à celui de votre appareil. Ce dernier est utilisé comme référence seulement.



En cas de panne de courant, les brûleurs peuvent s'allumer à la main. Pour ce faire, approchez une allumette de la tête du brûleur puis tournez lentement la commande sur "LITE" (ALLUMAGE). Ensuite, tournez le bouton à la dimension de la flamme voulue. Soyez prudent lorsque vous allumez manuellement les brûleurs.

Les brûleurs de surface en cours d'utilisation lors d'une panne de courant continuent de fonctionner normalement.

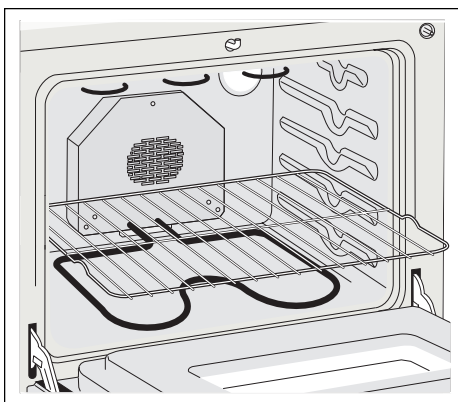
ATTENTION Ne faites pas fonctionner le brûleur pendant une période de temps prolongée sans casserole sur la grille. Le fini de la grille pourrait s'écailler si aucune casserole n'absorbe la chaleur.

ATTENTION Ne placez pas de salière et poivrière en plastique, de porte-cuillère ou d'emballage plastique sur le dessus de la table de cuisson en cours d'utilisation. Ces articles peuvent fondre ou s'enflammer. Gants isolants, torchons ou cuillères en bois peuvent prendre feu s'ils sont placés trop près d'une flamme.

Avant de régler les commandes du four

Position de l'évent

Un évent est situé à l'arrière de la table de cuisson. Lorsque le four est allumé, l'air chaud s'échappe par l'évent. Cette ventilation est nécessaire pour assurer une bonne circulation de l'air dans le four et des bons résultats de cuisson.



Installation des grilles

DISPOSEZ TOUJOURS LES GRILLES LORSQUE LE FOUR EST FROID (AVANT DE L'ALLUMER). Portez toujours des gants isolants lorsque vous utilisez le four.

Pour enlever une grille, tirez-la vers l'avant jusqu'à ce qu'elle s'arrête. Soulevez l'avant et sortez la grille.

Pour remettre une grille en place, appuyez-la sur les guides des parois du four. Soulevez l'avant et poussez la grille en place.

Réglage des commandes du four

Pour le réglage des commandes du four, reportez-vous au feuillet Minuterie ou programmeur électronique.

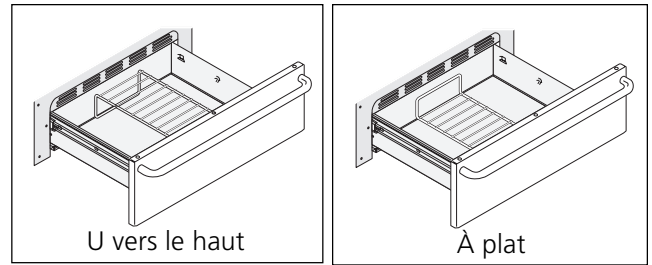
Avant de régler la commande du tiroir réchaud (certains modèles)

Disposition de la grille du tiroir-réchaud

Disposez la grille du tiroir-réchaud comme illustré.

La grille peut être utilisée de 2 façons :

- Grille en **U vers le haut** pour permettre de disposer des aliments de moindre dimension sur et sous la grille (par exemple, petits pains ou biscuits sur la grille et casserole en dessous).
- Grille **à plat** sur le fond pour permettre de disposer des aliments de moindre poids et la vaisselle vide (par exemple, assiettes à petits pains ou pâtisseries et assiettes à dîner).



Réglage de la commande du tiroir réchaud (certains modèles)

Remarque: le tiroir-réchaud ne peut être utilisé pendant un cycle d'autonettoyage. Le tiroir réchaud est équipé d'un loquet qui peut exiger assez d'effort pour l'ouvrir et le fermer

Utilisez le tiroir-réchaud pour garder les aliments chauds comme: les légumes, les sauces, les viandes, les casseroles, les biscuits et les petits pains, les pâtisseries et les assiettes à dîner chaudes.

Pour faire fonctionner le tiroir-réchaud

Le tiroir-réchaud a pour fonction de conserver les aliments chauds à la température de service. Commencez toujours avec des mets chauds. Il n'est pas recommandé de chauffer des aliments froids dans le tiroir-réchaud.

Tous les aliments placés dans le tiroir-réchaud doivent être recouverts d'un couvercle ou d'une feuille de papier d'aluminium pour conserver leur humidité et les garder tendres. Ne couvrez pas les aliments croustillants. **N'utilisez pas de plastique pour recouvrir les aliments. Le plastique risque de fondre dans le tiroir et d'être très difficile à nettoyer.**

Utilisez seulement de la vaisselle, des ustensiles et plats à cuisiner recommandés pour la cuisson au four dans le tiroir-réchaud.

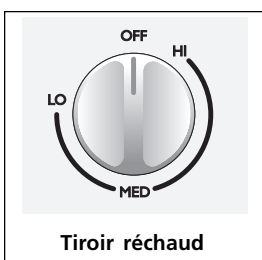
ATTENTION Utilisez toujours des poignées ou des mitaines pour four pour retirer les aliments du tiroir-réchaud car les ustensiles et plats s'y trouvant sont chauds.

Témoin lumineux

Le témoin lumineux est situé au dessus ou en dessous de la commande du thermostat. Il s'allume lorsque la commande est réglée et reste allumé jusqu'à ce qu'on l'éteigne. Assurez-vous que le témoin lumineux soit éteint lorsque les aliments sont retirés du tiroir.

Réglage de la commande du thermostat

La commande du thermostat est utilisée pour sélectionner la température du tiroir-réchaud. Elle est située à la gauche du contrôleur électronique. Les températures sont approximatives et désignées par HAUT (HI), MOYEN (MED) et BAS (LO). La commande peut être réglée à un de ces réglages ou à tout autre réglage entre ces repères.



1. Pour régler le thermostat, appuyez sur le bouton et tournez-le au réglage désiré.
2. Pour de meilleurs résultats, préchauffez le tiroir avant d'ajouter les aliments. Un tiroir vide atteindra la température du réglage BAS (LO) en 12 minutes environ, le réglage MOYEN (MED) prendra environ 15 minutes alors que le réglage HAUT (HI) atteindra sa température en 18 minutes.
3. Lorsque vous aurez terminé, tournez le bouton de commande du thermostat à OFF (ARRÊT).

Réglage de la commande du tiroir réchaud (certains modèles, suite)

Sélection du réglage de la température

Référez-vous au tableau pour les réglages recommandés. Si un aliment n'est pas énuméré, commencez par le réglage moyen. Si vous préférez que l'aliment soit plus croustillant, enlever le couvercle ou le papier d'aluminium qui le recouvre. La plupart des aliments peuvent être conservés aux températures de service en utilisant le réglage moyen. Lorsqu'une combinaison d'aliments doit être gardée au chaud, utilisez le réglage élevé (HI) (par exemple, de la viande avec 2 légumes et petits pains). Évitez d'ouvrir le tiroir-réchaud pendant qu'il fonctionne afin d'éviter la perte de chaleur.

Tableau des réglages recommandés pour le tiroir-réchaud					
Aliments	Réglage	Aliments	Réglage	Aliments	Réglage
Rôtis (Boeuf, Porc, Agneau)	MED	Aliments frits	HI	Assiettes à diner vides	LO
Côtes de porc	HI	Légumes	MED	Poisson, fruits de mer	MED
Bacon	HI	Pizza	HI	Jambon	MED
Hamburger	HI	Biscuits	MED	Crêpes, gaufres	HI
Volaille	HI	Petits pains, mous	LO	Tartes	MED
Sauces	MED	Petits pains, durs	MED	Patates (cuites au four)	HI
Plats en casseroles	MED	Pâtisseries	MED	Patates en purée	MED
Oeufs	MED				

Cuisson par convection (certains modèles)

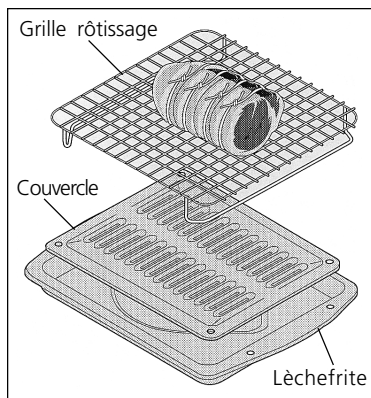
NOTE: Le moteur de la turbine convection cesse automatiquement de tourner si la porte est ouverte alors que le four fonctionne en mode convection. Elle recommence à tourner lorsque la porte est refermée.

En mode convection, un ventilateur au fond du four sert à faire circuler l'air chaud autour des aliments. Ce mouvement contrôlé d'air scelle rapidement la surface des aliments, retenant ainsi tous les jus naturels et leur saveur. Cette méthode de cuisson vous permet d'obtenir les meilleurs résultats culinaires, c'est à dire pour la cuisson, décongeler, déshydrater et rôtir des aliments.

Conseils sur la convection:

1. Pour la cuisson par convection, on peut réussir presque toutes les recettes en abaissant la température du four requise pour la cuisson en mode normal par radiation de 13°C (25°F). Vérifiez le mode de fonctionnement de la commande électronique qui se trouve dans le feuillet "Commande électronique du four". Ceci peut avoir comme résultat de réduire considérablement la perte de volume des aliments, en plus de cuire les viandes plus tendres.
2. Il est plus facile de cuire des lots d'aliments et d'obtenir de meilleurs résultats.
3. Décongeler les aliments par convection est plus rapide que par la méthode normale de cuisson par radiation.
4. Souvenez-vous d'utiliser des recettes déjà connues et essayées, dont la durée de cuisson aura été ajustée pour le mode convection. La durée de la cuisson peut-être réduite jusqu'à 30% lorsque l'option convection est utilisée

Rôtissage par convection (certains modèles)








Pour le rôtissage par convection, servez-vous toujours de la lèchefrite et de son couvercle ainsi que de la grille de rôtissage convection. La graisse s'écoule dans la lèchefrite et son couvercle prévient les éclaboussures de graisse. La grille de rôtissage supporte la viande.

1. Placez la grille du four sur le premier support ou le deuxième support du bas.
2. Placez le couvercle sur la lèchefrite. La grille de rôtissage convection s'imbrique dans la lèchefrite. L'air chaud circule sous l'aliment afin de procurer une cuisson uniforme. Ne vous servez pas de la lèchefrite sans son couvercle ou ne la recouvrez pas de papier d'aluminium.

Cuisson au four

Afin d'obtenir de meilleurs résultats de cuisson, réchauffez le four avant d'y faire cuire des biscuits, pains, gâteaux, tartes ou pâtisseries, etc. Il n'est pas nécessaire de préchauffer le four pour cuire un rôti ou pour cuire dans une casserole.


Les durées et températures de cuisson nécessaires pour faire cuire une denrée au four peuvent varier légèrement par rapport aux temps requis avec votre ancienne cuisinière.

Tableau des Problèmes de cuisson au four et de leurs Solutions		
Problème de cuisson au four	Causes	Solutions
Le fond des petits gâteaux et biscuits est brûlé. 	<ul style="list-style-type: none"> Petits gâteaux et biscuits mis au four avant la fin du préchauffage. Grille du four surchargée. Un moule foncé absorbe la chaleur trop rapidement. 	<ul style="list-style-type: none"> Laissez le four se réchauffer à la température voulue avant d'y placer les aliments. Choisir des tailles de moule qui laisseront dans le four 5.1 à 10.2 cm (2" à 4") d'espace libre tout autour du moule. Utilisez une tôle à biscuit en aluminium d'épaisseur moyenne.
Gâteaux trop dorés sur le dessus ou le dessous. 	<ul style="list-style-type: none"> Gâteaux mis au four avant la fin du préchauffage. Grille placée trop haute ou trop basse dans le four. Four trop chaud. 	<ul style="list-style-type: none"> Laissez le four préchauffer à la température voulue avant d'y placer les aliments. Utilisez la position de grille appropriée pour la cuisson. Réglez la température du four à 25°F (12°C) de moins que suggéré.
Gâteaux pas assez cuits au centre. 	<ul style="list-style-type: none"> Four trop chaud. Taille de moule incorrecte. Moule non centré dans le four. 	<ul style="list-style-type: none"> Réglez la température du four à 25°F (12°C) de moins que prévu. Utilisez la taille de moule suggérée dans la recette. Utilisez la position de grille appropriée et placez le moule pour qu'il y ait 5.1 à 10.2 cm (2" à 4") d'espace tout autour.
Les gâteaux ne sont pas d'épaisseur égale. 	<ul style="list-style-type: none"> La cuisinière n'est pas de niveau. Moule trop près de la paroi du four ou grille surchargée. Moule déformé. 	<ul style="list-style-type: none"> Placez une tasse à mesurer en verre, remplie d'eau, au centre de la grille du four. Si le niveau d'eau est inégal, veuillez consulter les instructions d'installation pour mettre la cuisinière de niveau. Veillez à conserver dans le four 5.1 à 10.2 cm (2" à 4") d'espace libre tout autour du moule. N'utilisez pas de moules bosselés ou déformés.
Les aliments ne sont pas assez cuits à la fin de la durée de cuisson prévue. 	<ul style="list-style-type: none"> Four pas assez chaud. Four surchargé. La porte du four a été ouverte trop fréquemment 	<ul style="list-style-type: none"> Réglez la température du four à 25°F (12°C) de plus que prévu et faites cuire pendant la durée recommandée. Veillez à retirer du four tous les plats ou moules sauf ceux qui sont nécessaires à la cuisson. N'ouvrez pas la porte du four avant la fin de la durée minimum de cuisson recommandée.

Circulation de l'air dans le four

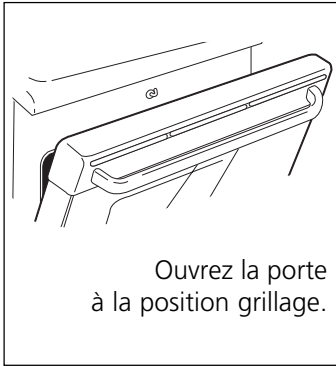
Pour une bonne circulation d'air et une cuisson satisfaisante, centrez les moules le mieux possible. Allouez 5.1 à 10.2 cm (2" à 4") autour des ustensiles pour permettre à l'air de circuler et veillez à ce que les moules ne se touchent pas mutuellement, et qu'ils ne touchent pas la porte, les côtés ou l'arrière du four. L'air chaud doit pouvoir circuler autour des moules pour que la chaleur soit uniforme dans toutes les parties du four.

Si vous utilisez plusieurs moules, espacez-les tel que montré ci-dessous. Avec un seul moule, placez-le au centre du four.



Cuisson au grill

La cuisson au grill est un procédé de cuisson des coupes tendres de viande grâce à la chaleur radiante émise par l'élément supérieure du four.



Tirez toujours la grille du four jusqu'à sa position d'arrêt pour retourner ou retirer les aliments.

Préchauffage

Le préchauffage est recommandé pour saisir les biftecks saignants. (Retirez la lèchefrite avant le préchauffage. Les aliments placés sur le métal chaud collent). Pour le préchauffage, réglez la commande du four à BROIL (GRIL) en suivant les instructions du Guide de l'utilisateur. Attendez que l'élément devienne rouge vif, cela prend environ 2 minutes. Le préchauffage n'est pas nécessaire pour les viandes bien cuites.

Pour la cuisson au grill

Grillez la viande sur un côté jusqu'à ce qu'elle soit dorée; retournez et faites cuire le deuxième côté. Assaisonnez et servez. Tirez toujours la grille hors du four jusqu'à la position d'arrêt avant de retourner ou de retirer les aliments.

Calcul des durées de cuisson au grill

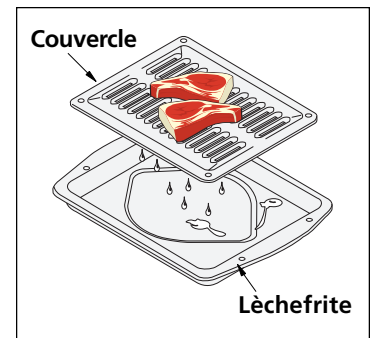
Les durées de cuisson au grill peuvent varier: surveillez attentivement la cuisson. Non seulement la durée de cuisson dépend-elle de la distance par rapport à l'élément, mais également de l'épaisseur et du vieillissement de la viande, de sa teneur en matières grasses et du degré de cuisson préféré. Le premier côté nécessite généralement quelques minutes de plus que le deuxième. Les viandes surgelées prennent aussi plus de temps à cuire.

Conseils pour la cuisson au grill

La lèchefrite et son couvercle permettent à la graisse de s'égoutter au fond de la lèchefrite, à l'abri de la chaleur intense du grill.

NE PAS utiliser la lèchefrite sans son couvercle qui l'accompagne. NE PAS recouvrir le couvercle de papier aluminium. Le gras en surface pourrait s'enflammer.

⚠ AVERTISSEMENT Si un feu se produit à l'intérieur du four, fermez la porte du four et éteignez le four. Si le feu ne s'éteint pas, lancez dessus du bicarbonate de soude ou utilisez un extincteur. **NE PAS** mettre d'eau ou de farine sur le feu. La farine risque d'exploser.



Conseils pour le nettoyage de la lèchefrite:

- Pour faciliter le nettoyage, couvrez le fond de la lèchefrite d'un papier d'aluminium. Ne recouvrez PAS le couvercle de la lèchefrite de papier d'aluminium.
- Pour empêcher la graisse de s'incruster, retirez la lèchefrite du four dès que la cuisson est terminée. Utilisez des gants car la lèchefrite est extrêmement chaude. Vidangez la graisse. Faites tremper la lèchefrite dans l'eau CHAUDE et savonneuse.
- Nettoyez la lèchefrite dès que possible après l'utilisation. S'il y a lieu, utilisez des tampons de laine d'acier saponifiés. Un récurage trop énergique pourrait l'endommager.

Nettoyage général

Nettoyage des composantes de la cuisinière

Avant de nettoyer toute composante de la cuisinière, assurez-vous que toutes les commandes sont fermées (position OFF) et que la cuisinière est FROIDE. NETTOYEZ LA NOURRITURE RENVERSÉE ET LA SALETÉ EXCÉDENTAIRE LE PLUS RAPIDEMENT POSSIBLE. UN ENTRETIEN RÉGULIER RÉDUIT LA NÉCESSITÉ D'EFFECTUER DES NETTOYAGES MAJEURS À L'AVENIR.

Surfaces	Méthodes de nettoyage
Aluminium et vinyle Panneau de commande et pièces de garniture	Utilisez de l'eau chaude savonneuse et un chiffon. Séchez à l'aide d'un chiffon propre. <i>Avant de nettoyer le panneau de commande, réglez toutes les commandes à OFF et retirez les boutons. Pour enlever les boutons, tirez-les hors de leur axe. Nettoyez. Utilisez de l'eau chaude savonneuse et un chiffon. Rincez à l'eau claire à l'aide d'un chiffon. Au besoin, couvrez les taches tenaces d'un essuie-tout imbibé d'ammoniaque pendant 30 à 40 minutes. Rincez. Essorez le chiffon avant d'essuyer le panneau (surtout pour essuyer le contour des commandes). Tout excédent d'eau à l'intérieur ou autour des commandes peut endommager l'appareil. Rincez tout résidu de nettoyeur sans quoi des taches bleutées permanentes pourraient se former sous l'effet de la chaleur. Pour remettre les boutons en place après le nettoyage, alignez les côtés plats des boutons et des axes, puis poussez les boutons en place.</i>
Pièces du châssis en verre, peintes et en plastique Boutons de commande et pièces décoratives	<i>Pour l'entretien général, utilisez de l'eau chaude savonneuse et un chiffon. Pour la saleté tenace et l'accumulation de graisse, appliquez un détergent liquide directement sur la saleté. Laissez sur la saleté pendant 30 à 40 minutes. Rincez à l'aide d'un chiffon humide, puis sécher. N'utilisez pas de nettoyeur abrasif sur ces surfaces; cela pourrait les rayer.</i>
Acier inoxydable (certains modèles) Porte de four et devant de tiroir	Les nettoyeurs conçus spécialement pour l'acier inoxydable tel que Stainless Steel Magic, une marque de Magic American Corp., ou des produits similaires sont recommandés. Suivez les directives indiquées sur le nettoyeur. Rincez tout résidu de nettoyeur sans quoi des taches bleutées permanentes pourraient se former sous l'effet de la chaleur.
Brûleurs scellés Couvercle des brûleurs, anneau de garniture (certains modèles) cuvette des brûleurs (certains modèles) et base des brûleurs	Les trous que l'on retrouve dans les brûleurs de la cuisinière doivent demeurer propres en tout temps pour que l'allumage se fasse correctement et que la flamme soit entière et uniforme. Nettoyer les ouvertures des brûleurs régulièrement à l'aide d'un petit fil métallique ou d'une aiguille, et tout particulièrement après un renversement susceptible d'engorger les ouvertures. Pour démonter, laver et remonter les brûleurs de votre cuisinière, consulter la section Nettoyage Général. Ne lavez pas les brûleurs au lave-vaisselle.
Émail Grilles de brûleur Surface de cuisson, lèche-frite, revêtement de la porte et fond du four, et l'intérieur de la cavité du tiroir-réchaud	Laver les pièces détachables au lave-vaisselle puis sécher. Si la saleté demeure, suivre les directives de nettoyage de la surface de cuisson. L'utilisation délicate d'un tampon à récurer savonneux permet d'enlever la plupart des taches. Rincez à l'aide d'une solution contenant des parts égales d'eau claire et d'ammoniaque. <i>Au besoin</i> , couvrez les taches tenaces d'un essuie-tout imbibé d'ammoniaque pendant 30 à 40 minutes. Rincez avec de l'eau claire et un chiffon, puis frottez délicatement avec un tampon à récurer savonneux. Rincez et séchez à l'aide d'un chiffon propre. Retirez toute trace de nettoyeur sans quoi l'émail pourrait être endommagé par la chaleur. NE PAS utiliser de nettoyeur en aérosol pour four sur la surface de cuisson.

Nettoyage général (suite)

Nettoyage de la surface de cuisson en verre trempé (certains modèles)

Contrairement à un appareil de cuisson à gaz standard, cette table de cuisson n'est pas à dessus relevable. N'essayez pas d'enlever ou de relever la table de cuisson.

⚠ ATTENTION Avant de nettoyer la table de cuisson, assurez-vous que les commandes sont à la position **ARRÊT** et que la surface est froide.

⚠ AVERTISSEMENT **NE PAS** utiliser de nettoyeur à plaque de cuisson sur une surface de cuisson chaude. Les émanations peuvent mettre votre santé en danger, et risquer d'endommager chimiquement la surface émaillée. **NE PAS utiliser de nettoyeurs commerciaux pour les fours sur la surface de cuisson, cela pourrait endommager l'appareil.**

La surface de cuisson est conçue pour faciliter le nettoyage. Parce que les quatre brûleurs sont scellés, l'entretien est facile lorsque les renversements sont immédiatement nettoyés. Pour nettoyer, essuyez avec un essuie-tout humide et propre, et séchez.

Il est essentiel de bien nettoyer régulièrement votre table de cuisson. Les renversements et les éclaboussures doivent être essuyés à l'aide d'un essuie-tout propre et d'eau savonneuse dès que possible, après la fin de la cuisson ou au plus tard avant d'utiliser à nouveau la table de cuisson. Soyez prudent si la table de cuisson est chaude. Si les quantités renversées sont importantes, ou si les aliments ont brûlés ou collés, servez-vous d'un grattoir à lame de rasoir. Tenez le grattoir à un angle de 30° et enlevez les éclaboussures ou résidus brûlés.

Pour les renversements de sucre:

Les renversements de sucres peuvent attaquer la surface de votre plaque de cuisson. Vous devez donc procéder au nettoyage de ces renversements pendant que l'appareil est encore chaud.

Terminez le nettoyage en appliquant une crème de nettoyage spéciale pour table de cuisson à verre thermorésistant. Appliquez le produit avec un papier essuie-tout propre et humide. Rincez avec de l'essuie-tout trempé dans de l'eau propre puis essuyez. *Essuyez toujours la table de cuisson pour éviter de chauffer des résidus du produit de nettoyage.*

N'utilisez PAS les produits suivants sur une table de cuisson en verre thermorésistant:

- Tampons de nettoyage en tissu ou en métal, en nylon ou en plastique abrasif. Ils risquent d'égratigner la surface de cuisson et de rendre plus difficile le nettoyage par la suite. Utilisez toujours de l'essuie-tout propre pour nettoyer la surface.
- Tout ce qui peut fondre (plastique, aluminium, sucre ou aliment à teneur élevée en sucre).
- Produits de nettoyage pour travaux durs, produits anti-taches ou antirouille.
- Javellisants au chlore, ammoniac, acide fluorhydrique ou tout autre produit de nettoyage chimique. Ils risquent de décolorer la surface de cuisson ou d'entraîner des réactions en profondeur.
- Éponges, linges ou torchons. Servez-vous toujours d'essuie-tout propre pour nettoyer la surface de cuisson. La charpie ou saleté restant sur la surface de cuisson après nettoyage à l'éponge ou avec un linge pourrait brûler et entraîner une décoloration.

Nettoyage des grilles de brûleurs, des cuvettes de brûleurs, des couvercles de brûleurs et des bases de brûleurs

Les grilles de brûleurs, les cuvettes de brûleurs, les couvercles de brûleurs et les bases de brûleurs doivent être nettoyés régulièrement. Les orifices doivent être propres pour empêcher un mauvais allumage et une flamme inégale. Voyez ci-dessous.

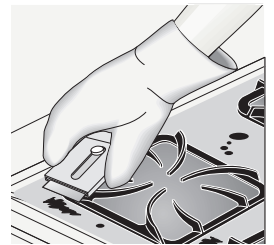
Nettoyage des grilles de brûleurs

Assurez-vous que les grilles et les brûleurs sont froids avant d'y placer la main, un gant isolant, des linges de nettoyage ou tout autre substance. Les grilles en fonte peuvent être lavées dans de l'eau savonneuse chaude. Rincez-les bien (enlevez tout résidu de nettoyeurs car la porcelaine peut être endommagée lors d'un chauffage ultérieur) et séchez-les avec un linge. Ne les placez pas sur la table de cuisson si elles sont encore humides. Assurez-vous que les grilles sont bien placées sur les brûleurs.

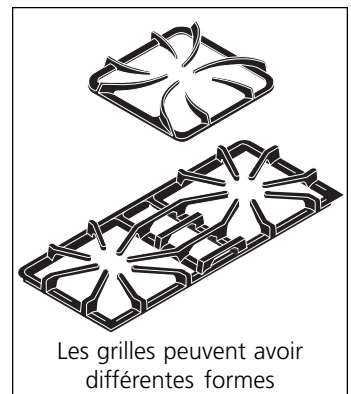
Pour enlever la nourriture cuite sur les grilles, placez-les dans un récipient fermé ou un sac en plastique, ajoutez 1/4 de tasse d'ammoniac et faites tremper pendant 30 minutes. Lavez, rincez et bien séchez. Un produit de nettoyage abrasif peut être utilisé pour les taches rebelles.

Nettoyage des cuvettes de brûleurs

Les cuvettes de propreté sont fixées à la surface de cuisson et ne sont pas amovibles. La cuvette de propreté forme une zone en retrait autour de chaque brûleur. En cas de renversement dans l'une des zones, épongez avec un linge absorbant, rincez bien avec un linge humide et propre puis essuyez.



Les produits renversés épais, "cuits" peuvent être enlevés avec un grattoir à lame de rasoir. Faites attention de ne pas endommager la surface.



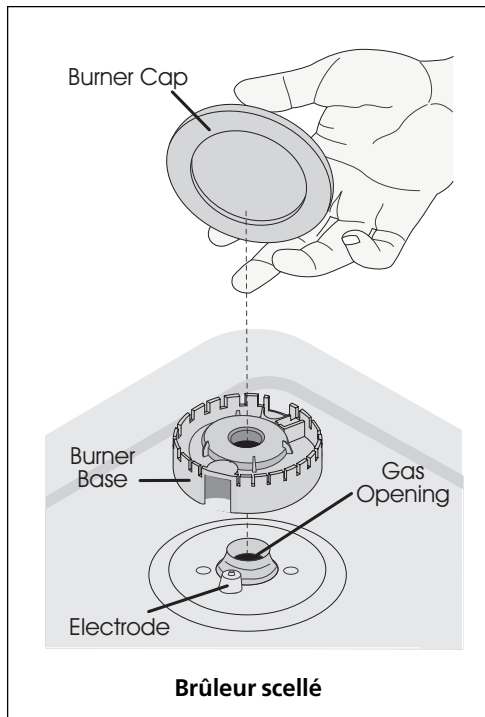
Les grilles peuvent avoir différentes formes

Nettoyage général (suite)

Nettoyage des grilles de brûleurs, des cuvettes de brûleurs, des couvercles de brûleurs et des bases de brûleurs (suite)

Nettoyage des couvercles de brûleurs

Enlevez le couvercle. Utilisez un tampon à récurer rempli de savon ou un produit de nettoyage légèrement abrasif. Au besoin, recouvrez les taches rebelles pendant 30 minutes d'un essuie-tout trempé dans l'ammoniaque. Frottez doucement avec un tampon à récurer rempli de savon et rincez avec un mélange d'eau propre et de vinaigre. Enlevez tous les produits de nettoyage sinon l'émail risque de s'abîmer lorsqu'il sera chauffé.



Nettoyage de la base amovible du brûleur et des orifices de sortie du gaz (certains modèles)

Les orifices (ou fentes) autour de la base des brûleurs doivent être nettoyés régulièrement. Servez-vous d'un fil fin ou d'une aiguille.

Remarque: Si l'électrode est endommagée ou cassée, le brûleur ne s'allumera pas parce que l'étincelle n'aura pas lieu. Il sera toujours possible d'allumer avec une allumette.

Pour permettre une bonne circulation du gaz et l'allumage du brûleur, NE LAISSEZ PAS DE RENVÈREMENTS, NOURRITURE, PRODUITS DE NETTOYAGE OU AUTRES PRODUITS PÉNÉTRER DANS LES TUBES DE SORTIE DE GAZ. Le gaz doit circuler librement par la petite lumière de l'orifice en laiton pour que le brûleur s'allume correctement. Si l'orifice est souillé ou obstrué, utilisez un fil ou une aiguille fine pour le nettoyer. Laissez TOUJOURS le couvercle en place lorsque le brûleur est en fonction.

Remise en place de la base du brûleur et du couvercle

Assurez-vous que les pièces sont parfaitement sèches avant de les remettre en place.

1. Remettez la base du brûleur.
2. Replacez le couvercle.
3. Replacez la grille du brûleur.
4. Allumez le brûleur. S'il ne s'allume pas après le nettoyage, communiquez avec un réparateur autorisé. Ne réparez pas vous-même un brûleur défectueux.

Nettoyage du four autonettoyant (certains modèles)

Prenez les précautions de nettoyage qui suivent:

- Laissez le four refroidir avant le nettoyage.
- Portez des gants en caoutchouc lorsque vous nettoyez toute partie du four à la main.

ATTENTION Pendant le cycle d'autonettoyage, l'extérieur du four peut devenir très chaud au toucher. **Ne laissez pas** les enfants sans surveillance près de l'appareil.

ATTENTION Certains oiseaux sont très vulnérables aux gaz dégagés lors du nettoyage des fours auto-nettoyants; ils doivent être placés dans une autre pièce, bien aérée.

ATTENTION Avant de débiter le nettoyage, assurez-vous que la commande du four est tournée à arrêt ou appuyez sur la touche ARRÊT (OFF) ou ANNULATION. Attendez que le four se soit refroidi.

N'utilisez pas de nettoyeur commerciaux ou d'enduits protecteurs sur ou autour d'aucune partie du four. NE nettoyez pas le joint d'étanchéité. Le joint d'étanchéité qui est installé sur la porte du four est essentiel à une fermeture efficace du four. Faire attention de ne pas le frotter ou le déplacer, car ceci pourrait l'endommager. N'utilisez pas de papier d'aluminium pour protéger le fond du four car ceci pourrait nuire à la cuisson ou fondre et affecter le fini du four.

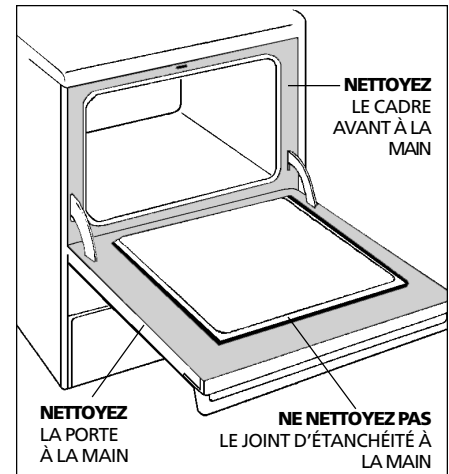
Un four autonettoyant se nettoie de lui-même à des températures élevées (bien au-dessus des températures de cuisson), qui éliminent complètement ou réduisent les saletés en fines cendres, que vous pouvez faire disparaître très facilement avec un linge humide.

Nettoyage général (suite)

Nettoyage du four autonettoyant (certains modèles, suite)

Préparation du four avant l'autonettoyage

1. Retirez tout excès de renversements dans la cavité du four avant de débiter le cycle d'autonettoyage. Utilisez un linge trempé dans de l'eau chaude et savonneuse pour le nettoyage. Les gros renversements peuvent être la cause de fumées épaisses ou d'un incendie s'ils sont exposés à des températures élevées. Ne pas permettre à des renversements qui contiennent beaucoup de sucre ou qui ont un niveau d'acidité élevé (tels que tomates, choucroute, jus de fruits, ou garnitures de tarte) de demeurer en surface car ils peuvent causer la formation de taches qui resteront sans éclat même après le nettoyage.
2. Nettoyez toute saleté présente sur le cadre avant du four, ainsi que l'intérieur de la porte (surfaces ombragées de l'illustration). Ces surfaces deviennent suffisamment chaudes pendant le cycle d'autonettoyage pour cuire les éclaboussures sur les surfaces. Nettoyez avec de l'eau et du savon.
3. Retirez la lèche-frite et son couvercle ainsi que tous les ustensiles et tout papier d'aluminium. Ces produits ne supportent pas les températures élevées de l'autonettoyage.
4. Les grilles peuvent être laissées dans le four ou être enlevées. Si elles subissent un cycle d'autonettoyage, leur couleur deviendra terne. Quand le cycle de nettoyage sera terminé et que le four sera refroidi, frottez les broches sur les côtés des grilles avec du papier ciré ou avec un peu d'huile pour bébé ou d'huile à salade. Ceci aidera les grilles à mieux glisser.



Ce qui peut survenir durant l'autonettoyage

Lorsque le four fonctionne, sa température devient beaucoup plus élevée que celle utilisée pour la cuisson. Il est normal d'entendre des bruits de dilatation et de contraction du métal. Il y aura aussi des odeurs causées par l'élimination des saletés. Il est même possible que de la fumée s'échappe par la sortie d'aération qui débouche sur la table de cuisson.

Si les gros débordements ne sont pas essuyés avant l'autonettoyage, ils pourraient s'enflammer et causer encore plus de fumée et d'odeurs que la normale. Cette situation est normale et sans danger et ne devrait pas vous alarmer. Si vous possédez une hotte, utilisez-la durant le cycle d'autonettoyage pour évacuer les odeurs et les fumées.

Remarque: Un éliminateur de fumée est installé dans le conduit d'aération; il transforme la presque totalité des saletés en un gaz invisible.

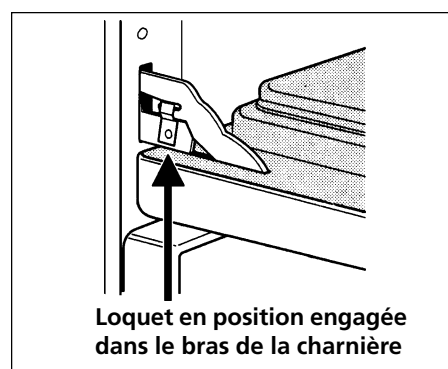
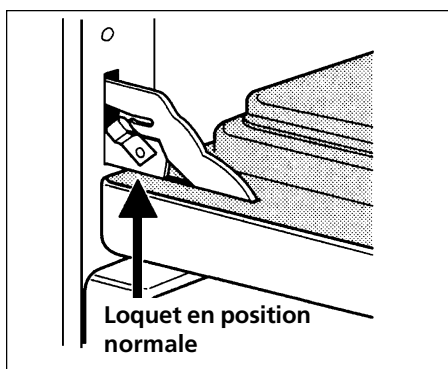
Réglage des commandes du four pour un cycle autonettoyant

Pour le réglage d'un cycle autonettoyant, référez-vous au feuillet minuterie ou programmateur électronique.

Enlever et réinstaller de la porte

1. Ouvrez la porte complètement.
 2. Faites pivoter vers la haut les deux loquets mobiles se trouvant sur les supports des charnières et engagez-les dans les crochets des bras des charnières. Il se peut qu'il soit nécessaire d'exercer une légère pression sur la porte pour que les loquets s'engagent complètement.
 3. Avec une main de chaque côté de la porte, soulevez légèrement la porte et tirez-la vers vous pour dégager les supports des charnières. Continuez à tirer la porte vers vous tout en faisant pivoter le haut de la porte vers l'appareil de façon à dégager les bras des charnières.
 4. Pour remettre la porte en place, procédez à l'inverse.
- Assurez-vous que les supports de la charnière sont bien engagés avant de libérer les bras de charnières.

ATTENTION La porte du four est lourde. Pour un rangement temporaire sécuritaire, déposer la porte à plat.



Nettoyage général (suite)

Porte avec vitre extérieure démontable (certains modèles)

Ces modèles n'ont pas la vitre extérieure de la porte retenue par un cadre enveloppant. Ce design vous permet de nettoyer la face interne de la vitre extérieure, ainsi que la partie cachée de la vitre du hublot intérieur de la porte. Il existe deux types de porte avec vitre extérieure démontable, soit: un modèle avec moulure inférieure collée sur la vitre et un autre modèle avec moulure inférieure indépendante de la vitre.

Pour retirer la vitre extérieure de la porte:

1. Retirez la porte de la cuisinière en se référant à "**Enlevez et réinstallez la porte**" à la section "Nettoyage de l'appareil" et déposez-la à plat.
2. À l'aide d'un tournevis, retirez les vis retenant l'assemblage vitre et moulure inférieure pour les modèles avec moulure inférieure collée sur la vitre; ou les vis retenant la moulure inférieure pour les modèles avec moulure inférieure indépendante de la vitre et retirez ensuite la moulure inférieure.
3. Tenez la vitre par les côtés et faites-la doucement glisser hors de la moulure supérieure avant de la porte. Déposez la vitre à plat.

ATTENTION Manipulez cette vitre avec précaution. Si la vitre est cognée sur un coin, elle peut éclater en petits morceaux et vous blesser.

ATTENTION Pour les modèles avec la moulure inférieure collée sur la vitre: **NE** décollez **PAS** la moulure de la vitre.

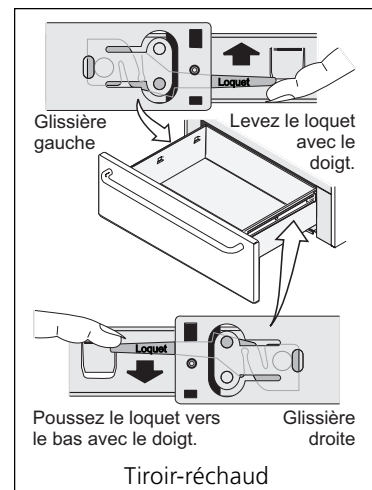
Pour réinstaller la vitre extérieure de la porte:

1. Soulevez la vitre par les côtés et insérez-la délicatement sous la moulure supérieure de la porte.
2. Remplacez l'assemblage vitre et moulure inférieure ou la moulure inférieure et les vis qui le retiennent en place.
3. Remplacez la porte sur la cuisinière en référant à "**Enlevez et réinstallez la porte**" à la section "Nettoyage de l'appareil".

Pour retirer et replacer le tiroir-réchaud (certains modèles)

Pour enlever le tiroir-réchaud :

1. **ATTENTION** Interrompez le courant avant d'enlever le tiroir-réchaud.
2. Ouvrez complètement le tiroir.
3. Localisez les loquets des deux côtés du tiroir-réchaud.
4. Tirez vers le haut sur le loquet de la glissière gauche et poussez vers le bas sur le loquet de la glissière droite.
5. Enlevez le tiroir de l'appareil.
6. Pour nettoyer le tiroir-réchaud, utilisez délicatement un tampon à récurer savonneux; ceci permet d'enlever la plupart des taches. Rincez à l'aide d'une solution contenant des parts égales d'eau claire et d'ammoniaque. Au besoin, couvrez les taches tenaces d'un essuie-tout imbibé d'ammoniaque pendant 30 à 40 minutes. Rincez avec de l'eau claire et un chiffon, puis frottez délicatement avec un tampon à récurer savonneux. Rincez et séchez à l'aide d'un chiffon propre. Retirez toute trace de nettoyeur sans quoi l'émail pourrait être endommagé par la chaleur. **NE PAS** utiliser de nettoyeur en aérosol pour four sur la surface de cuisson.



Pour replacer le tiroir-réchaud :

1. Alignez les loquets des glissières des deux côtés du tiroir avec les guides du tiroir.
2. Poussez le tiroir dans la cuisinière.



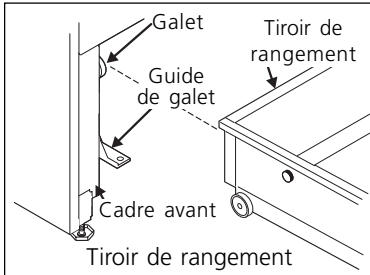
AVERTISSEMENT **Risque de choc électrique** pouvant occasionner des blessures graves ou la mort. Débranchez l'appareil du courant électrique avant le service d'entretien ou avant d'enlever ou de replacer le tiroir-réchaud.

Nettoyage général (suite)

Tiroir de rangement (certains modèles)

Utilisez le tiroir de rangement pour entreposer des ustensiles de cuisine. Le tiroir peut être enlevé pour faciliter le nettoyage sous l'appareil. Faites attention en manipulant le tiroir.

Ouvrez le tiroir de rangement en le poussant doucement pour le dégager du ressort. Pour le fermer, poussez-le jusqu'à ce que vous entendiez un déclic indiquant que le ressort est comprimé et que le tiroir est fermé.



Pour retirer le tiroir :

1. Tirez le tiroir vide jusqu'au butoir des roulettes.
2. Soulevez l'avant du tiroir vers le haut et faites-le passer par dessus les roulettes.

Pour replacer le tiroir :

1. Insérez l'arrière du tiroir dans l'ouverture.
2. Déposez les roulettes arrière du tiroir sur les guides des roulettes.
3. Poussez le tiroir jusqu'à ce qu'il bloque, soulevez-le par dessus le butoir et glissez-le au fond.

Remplacement de l'ampoule du four

ATTENTION Assurez-vous que la cuisinière est débranchée et que toutes les parties sont REFROIDIES avant de remplacer l'ampoule du four. Ne laissez pas la lampe du four allumée pendant le cycle d'autonettoyage. Les hautes températures réduiront sa longévité.

Pour certains modèles, la lampe du four s'allume automatiquement en ouvrant la porte. La lampe peut être allumée, alors que la porte est fermée, grâce à l'interrupteur situé sur le panneau de commandes.

Si le four est autonettoyant, la lampe est protégée par un protège-lampe en verre retenu par une broche.

CE PROTÈGE-LAMPE DOIT ÊTRE EN PLACE LORS DE L'UTILISATION DU FOUR.

Pour remplacer la lampe:

AVANT TOUT: ASSUREZ-VOUS QUE LE FOUR EST SUFFISAMMENT REFROIDI.

1. Coupez la source d'alimentation électrique de l'appareil.
2. Utilisez des gants avec face intérieure en cuir comme mesure de sécurité au cas où l'ampoule se briserait en la dévissant.
3. Remplacez l'ampoule par une autre de 40 watts conçue pour les appareils électroménagers.
4. Si le four est autonettoyant, poussez la broche de côté pour libérer le protège-lampe, changez la lampe tel qu'expliqué ci-haut et assurez-vous que le protège-lampe est remis en place.



Liste des vérifications préventives

Avant d'appeler un technicien de service lisez ce qui suit :

Dans bien des cas, vous pouvez épargner le coût et les inconvénients causés par la visite d'un technicien de service, en consultant la liste des vérifications préventives qui suit. Elle décrit les situations les plus courantes n'ayant aucun rapport avec une pièce défectueuse ou un vice de construction.

Vous devrez défrayer les frais pour toute visite d'un technicien de service durant la période où l'appareil est couvert par la garantie, si le problème n'est pas causé par un vice de construction ou une pièce défectueuse.

Votre nouvel appareil ménager a été construit avec soin. Il est fréquent que ce qui semblait être une raison valable pour justifier la visite d'un technicien de service, ne nécessite en fait qu'un simple réglage de votre part, ou n'est qu'une conséquence normale du fonctionnement de l'appareil en certaines circonstances.

Cette liste couvre différents modèles de cuisinières et certains items ne s'appliqueront pas nécessairement à votre appareil.

PROBLÈME

CAUSE POSSIBLE /SOLUTION

INSTALLATION

La cuisinière n'est pas de niveau.

Mauvaise installation. Placez la grille au centre du four. Placez un niveau sur le grille. Ajustez les pieds de mise à niveau sous le four jusqu'à ce que la grille soit à niveau.

Assurez-vous que le plancher est de niveau, et assez solide pour supporter le poids de la cuisinière sans fléchir. Adressez-vous à un menuisier pour corriger la pente ou l'affaissement du plancher si nécessaire.

Liste des vérifications préventives (suite)

PROBLÈME

CAUSE POSSIBLE/SOLUTION

INSTALLATION (suite)

La cuisinière n'est pas de niveau. (suite)

Si le plancher s'affaisse ou est en pente, communiquez avec un menuisier pour corriger la situation

L'alignement des armoires de cuisine peut donner l'impression que la cuisinière n'est pas à niveau. Assurez-vous que les armoires sont d'équerre et que leur dégagement de la cuisinière est suffisant.

On ne peut pas déplacer l'appareil facilement. L'appareil doit être accessible pour l'entretien.

Les armoires ne sont pas d'équerre ou sont trop justes. Communiquez avec le constructeur ou l'installateur afin de rendre l'appareil accessible.

Le tapis nuit à la cuisinière. Laissez suffisamment d'espace pour permettre de soulever la cuisinière au-dessus du tapis.

LA CUISINIÈRE NE FONCTIONNE PAS

L'appareil ou le four ne fonctionne pas.

Assurez-vous que le cordon d'alimentation est correctement branché dans la prise.

Le branchement n'est pas achevé. Communiquez avec le détaillant, l'installateur ou l'agent de service autorisé.

Panne de courant. Vérifiez les ampoules de la maison afin de vous assurer qu'il s'agit d'une panne. Communiquez avec votre fournisseur d'électricité pour rétablir le service.

Le four ne fonctionne pas.

Réglage incorrect du temps de cuisson automatique (cuisson chronométrée). Suivez les instructions "Réglage de la minuterie automatique (cuisson chronométrée)" dans le feuillet programmeur électronique ou minuterie fourni avec cet appareil.

Le programmeur électronique émet des signaux sonores et affiche le code F1 ou F3. Un vice de fonctionnement a été détecté. Appuyez sur la **touche ANNULER (CANCEL)** pour annuler l'affichage et arrêter l'avertisseur sonore. Reprogrammez le four. Si le défaut revient, notez le numéro de l'erreur, appuyez sur la **touche ANNULER (CANCEL)** et communiquez avec un service d'entretien autorisé.

L'ampoule du four ne fonctionne pas.

Remplacez ou revissez l'ampoule. Voir les instructions pour le **remplacement de l'ampoule du four** dans ce guide de l'utilisateur. Si l'ampoule est brisée, la remplacer.

Les éléments de surface ne chauffent pas.

L'appareil n'est pas sous tension. Vérifiez les étapes sous la rubrique Rien ne fonctionne dans cette liste de contrôle anti-panne.

Réglage incorrect des commandes. Assurez-vous que la commande appropriée de l'élément à utiliser a été utilisé

SURFACE DE CUISSON

Les éléments sont trop ou pas assez chauds.

Réglage incorrect des commandes. Assurez-vous que la commande appropriée de l'élément à utiliser a été utilisé

Utilisation de casseroles légères ou à fond tordu. Utilisez uniquement des ustensiles de cuisine à fond plat, bien équilibrés, de poids moyen ou lourd. Les casseroles à fond plat chauffent mieux que celles à fond tordu. Le matériel et le poids des ustensiles de cuisine affectent la cuisson. Les casseroles de poids moyen ou lourd chauffent d'une manière uniforme. Les casseroles légères ne chauffent pas d'une manière uniforme, et les aliments peuvent plus facilement brûler.

Cuvettes de propreté, piquées ou rouillées.

La nourriture acide comme les tomates, peut entraîner la corrosion si elle reste sur ou dans les cuvettes. Enlevez et lavez les cuvettes de propreté dès qu'un aliment a été renversé.

Environnement normal. Les maisons situées au bord de la mer sont exposées à l'air salin. Protégez autant que possible les cuvettes de propreté de l'exposition directe à cet air salin.

Changement de couleur ou distorsion des cuvettes de propreté.

Le dessous des ustensiles dépasse des éléments et touche la surface de cuisson. Ceci entraîne des températures suffisamment élevées pour décolorer les cuvettes de propreté. N'utilisez pas d'ustensiles de ce type. Ils doivent être de dimension appropriée à celle de l'élément. Des cuvettes de propreté de rechange peuvent s'acheter chez votre marchand.

Liste des vérifications préventives (suite)

SURFACE DE CUISSON VITROCÉRAMIQUE (CERTAINS MODÈLES)

Des égratignures ou des abrasions sur la surface de cuisson.

Des particules grossières comme le sel ou le sable logées entre la surface de cuisson et les ustensiles peuvent causer des égratignures. Assurez-vous que la surface de la plaque de cuisson et le dessous des ustensiles sont propres avant de vous en servir. Les petites égratignures ne nuisent pas à la cuisson et deviendront moins visibles avec le temps.

On a utilisé des produits de nettoyage non recommandés pour les surfaces de cuisson en vitrocéramique. Reportez-vous aux instructions sur le "nettoyage de la surface de cuisson en vitrocéramique" dans la section **Nettoyage général** du présent guide.

On a utilisé des casseroles aux dessous rugueux. Utilisez des ustensiles plats, aux dessous lisses.

Marques de métal.

Des ustensiles en métal ont été glissés ou frottés sur la surface de cuisson. Ne faites pas glisser des ustensiles de métal sur la surface de cuisson. Utilisez une crème nettoyante pour surface de cuisson en vitrocéramique pour enlever les marques. Reportez-vous à la section "Nettoyage de la plaque de cuisson en vitrocéramique" dans la section **Nettoyage générale**.

Rayures ou taches brunes.

Des renversements ont cuis sur la surface. Utilisez une lame de rasoir pour enlever la saleté. Reportez-vous à la section "Nettoyage de la plaque de cuisson en vitrocéramique" dans la section **Nettoyage générale**.

Parties décolorées avec surfaces métalliques brillantes.

Dépôts minéraux d'eau et d'aliments. Enlevez-les avec une crème nettoyante pour surface de cuisson en vitrocéramique. Utilisez des ustensiles de cuisine aux dessous propres et secs.

SURFACE DE CUISSON AVEC BRÛLEURS À GAZ (CERTAINS MODÈLES)

Les brûleurs ne s'allument pas.

Le bouton de commande n'est pas correctement tourné à LITE (ALLUMAGE). Enfoncez le bouton de commande et tournez-le à LITE (ALLUMAGE) jusqu'à allumage du brûleur, et tournez-le ensuite au degré désiré.

Les orifices du brûleur sont obstrués. Nettoyez les brûleurs. Consultez les directives portant sur le nettoyage des puits, du couvercles des brûleurs, de l'anneau de garniture (certains modèles), de la cuvette des brûleurs (certains modèles) et de la base des brûleurs à la section Nettoyage générale. Fermer les brûleurs, puis nettoyer les ouvertures à l'aide d'un petit fil métallique ou d'une aiguille.

Panne de courant (modèles à allumage électrique seulement). Les brûleurs peuvent être allumés manuellement. Consulter la section Réglage des commandes de surface.

L'alimentation de gaz est fermée. Ouvrez-la.

La flamme forme un demi cercle autour du brûleur.

Les orifices du brûleur sont obstrués. Une fois les brûleurs éteints et refroidis, utilisez une broche de petit calibre ou une aiguille pour nettoyer les petits orifices ou trous.

Il reste de l'humidité après le nettoyage. Attiser délicatement la flamme et laisser fonctionner le brûleur jusqu'à ce que la flamme soit complète. Sécher les brûleurs à fond en suivant les directives données dans la section Nettoyage générale.

La flamme est orangée.

Poussière dans le tuyau principal d'alimentation de gaz. Faites fonctionner le brûleur durant quelques minutes jusqu'à ce que la flamme passe au bleu.

Air salin dans les zones côtières. Une flamme légèrement orangée est normale et inévitable.

Liste des vérifications préventives (suite)

MAUVAIS RÉSULTATS DE CUISSON AU FOUR

Les aliments sont trop ou pas assez cuits.

Plusieurs facteurs influencent les résultats de cuisson. Utilisez la position correcte des grilles du four. Préchauffez le four avant la cuisson. S'il est nécessaire, ajustez le temps de cuisson ou la température du four recommandés pour la recette. Si la température du four est trop froide ou trop chaude, consultez la section **Ajustement du four** du feuillet programmeur électronique ou minuterie.

Flammes à l'intérieur du four ou fumée sortant de la bouche d'aération.

Des éclaboussures excessives dans le four. Réglez le cycle autonettoyant pour une plus longue durée.

Des éclaboussures excessives dans le four. Ceci est normal, particulièrement pour des températures de four très élevées, des garnitures de tartes renversées ou s'il y a beaucoup de graisse au fond du four. Si des flammes ou de la fumée excessive sont présentes, arrêtez le cycle autonettoyant et suivez les étapes décrites dans la section "Arrêt ou interruption du cycle autonettoyant" du feuillet Programmeur électronique ou minuterie.

CUISSON AU GRIL

Le four dégage beaucoup de fumée durant la cuisson au grill.

Les commandes ne sont pas réglées correctement. Suivez les instructions sous la rubrique **Réglage des commandes du four**.

Assurez-vous que la porte du four est ouverte à la **position d'arrêt grillage**.

La viande est trop près de l'élément. Changez la position de la grille en laissant plus d'espace entre la viande et l'élément. Préchauffez l'élément du grill pour saisir la viande.

La viande n'a pas été bien préparée. Enlevez l'excédent de gras. Taillez les bords gras restant pour empêcher que la viande ne se torde, sans couper dans le maigre.

La grille de la lèchefrite est utilisée du mauvais côté et la gras ne dégoutte pas. Placez toujours les ondulations de la grille de la lèchefrite vers le haut et les fentes vers le bas pour permettre à la graisse de dégoutter dans la lèchefrite.

La graisse s'est accumulée sur les surfaces du four. Un nettoyage régulier est nécessaire lorsque le grill est fréquemment utilisé. La vieille graisse et les éclaboussures causent une fumée excessive.

AUTNETTOYAGE DU FOUR (CERTAINS MODÈLES)

Le cycle d'autonettoyage ne fonctionne pas.

Les commandes ne sont pas réglées correctement. Suivez les instructions dans le feuillet programmeur électronique ou minuterie.

Le cycle autonettoyant a été interrompu. L'heure d'arrêt doit être réglée de 2 à 4 heures après le début du cycle. Suivez les étapes décrites à "Arrêt ou interruption du cycle autonettoyant" dans le feuillet programmeur électronique ou minuterie.

Le cycle d'autonettoyage n'a pas éliminé toute les saletés.

Vous avez omis de nettoyer le fond, la partie avant supérieure, le châssis du four et la contre-porte entourant le joint d'étanchéité. Ces surfaces ne sont pas nettoyées durant le cycle autonettoyant, mais peuvent devenir suffisamment chaudes pour cuire les résidus. Nettoyez-les avant de déclencher le cycle autonettoyant. Les résidus brûlés peuvent se nettoyer avec une brosse de nylon et de l'eau ou un tampon à récurer en nylon. Veillez à ne pas endommager le joint d'étanchéité.

Évitez d'endommager l'appareil durant son transport

Pour éviter d'endommager votre cuisinière durant son transport à l'intérieur ou à l'extérieur de votre demeure ou lors d'un déménagement, prenez les précautions suivantes:

1. Revissez à fond les vis de nivellement de l'appareil.
2. Retirez les grilles du four ainsi que les ustensiles remisés dans le tiroir de rangement.
3. Utilisez du ruban adhésif pour attacher fermement la porte et le tiroir au châssis. Attachez le câble d'alimentation à la cuisinière de la même façon.
4. Utilisez un diable et attachez la cuisinière solidement à celui-ci à l'aide de courroies. Couvrez l'appareil avec une couverture épaisse, afin d'éviter tout risque d'égratignures ou de bosses à l'appareil.
5. Évitez de tirer ou de pousser sur le panneau de contrôle lorsque vous bougez l'appareil.

Informations sur la garantie

GARANTIE DE LA CUISINIÈRE

Votre cuisinière est protégée par cette garantie

	PÉRIODE DE GARANTIE	PAR L'ENTREMISE DE NOS PRÉPOSÉS À L'ENTRETIEN AUTORISÉS :	RESPONSABILITÉ DU CLIENT :
GARANTIE COMPLÈTE DE UN AN	Un an à partir de la date d'achat.	Tous les frais de réparation ou de remplacement de toute pièce de cet appareil présentant des défauts de matériaux ou de fabrication.	Le coût des visites d'un réparateur pour les items classés sous la liste RESPONSABILITÉS NORMALES DU CLIENT.*
GARANTIE LIMITÉE DE LA DEUXIÈME À LA CINQUIÈME ANNÉE (Table de cuisson vitrocéramique, joint & éléments)	Entre la deuxième et la cinquième année à partir de la date d'achat.	Réparera ou remplacera gratuitement (excluant les frais de main-d'œuvre pour le service et l'installation) les éléments chauffants défectueux et défraiera tous les coûts (excluant les frais de main d'œuvre pour le service et l'installation) occasionnés par le remplacement de la surface de cuisson vitrocéramique dont le bris est causé par les tensions thermiques.	Les coûts de transport de l'appareil requis pour effectuer les réparations. Le coût de la main-d'œuvre, des pièces et les frais de transport pour les autres composants que ceux du revêtement du boîtier ou du système de réfrigération scellé.
GARANTIE LIMITÉE (Applicable à l'état de l'Alaska uniquement)	Les périodes de temps indiquées ci-dessus.	Toutes les dispositions de la garantie complète indiquées ci-dessus et les exclusions indiquées ci-dessous s'appliquent.	Les coûts de déplacement du réparateur et de transport de l'appareil requis pour effectuer les réparations.

Aux États-Unis, votre appareil est garanti par Produits Electrolux Nord-Américains, une filiale de White Consolidated Industries, Inc. Nous n'autorisons aucune personne à modifier ou à ajouter quelle qu'obligation que ce soit à cette garantie. Nos obligations concernant les réparations ou les pièces couvertes par cette garantie doivent être effectuées par Produits Electrolux Nord-Américains ou par un dépositaire de service autorisé de Produits Electrolux Nord-Américains. **Au Canada**, votre appareil est garanti par Electrolux Canada Corp.

*RESPONSABILITÉS NORMALES DU CLIENT

Cette garantie s'applique uniquement aux produits utilisés à des fins domestiques et le client est responsable pour les items inclus dans la liste ci-dessous :

1. Une utilisation appropriée de l'appareil conformément aux instructions fournies avec le produit.
2. Une installation appropriée par un dépositaire de service autorisé conformément aux instructions fournies avec l'appareil et à tous les codes locaux de plomberie, d'électricité et/ou de gaz.
3. Un branchement approprié à une prise de courant avec mise à la terre et à une tension suffisante, ainsi que le remplacement des fusibles grillés, la réparation des branchements défaits ou défectueux.
4. Les coûts pour rendre l'appareil accessible pour les réparations, comme l'enlèvement de garnitures, d'armoires, d'étagères, etc., qui ne faisaient pas partie de l'appareil à sa sortie de l'usine.
5. Les dommages au fini après l'installation.
6. Le remplacement des ampoules électriques et/ou des tubes fluorescents (sur les modèles qui présentent ces caractéristiques).

EXCLUSIONS

Cette garantie ne couvre pas :

1. LES DOMMAGES INDIRECTS OU CONSÉCUTIFS, COMME LES DOMMAGES À LA PROPRIÉTÉ OU LES FRAIS CONSÉCUTIFS RÉSULTANT D'UN MANQUEMENT DE QUELLE QUE NATURE QUE CE SOIT DE CETTE GARANTIE ÉCRITE OU DE TOUTE AUTRE GARANTIE IMPLICITE.
REMARQUE : Certains états ou provinces ne permettent pas l'exclusion ou la limitation des dommages indirects ou consécutifs, il est donc possible que cette limitation ne s'applique pas à votre cas.
2. Les appels de service non reliés à un mauvais fonctionnement ou à une défaillance de matériaux ou de fabrication ou pour les appareils qui ne servent pas à des fins domestiques. Le client devra assumer les frais de ces appels de service.
3. Les dommages causés par un entretien effectué par un dépositaire non autorisé par Produits Electrolux Nord-Américains; l'utilisation de pièces autres que les pièces authentiques de Produits Electrolux Nord-Américains ou obtenues par une personne autre qu'un dépositaire autorisé ou encore des causes extérieures comme une utilisation abusive, un mauvais usage, une alimentation électrique inadéquate ou une catastrophe naturelle.
4. Les produits dont les numéros de série d'origine ont été enlevés ou effacés et qui ne peuvent être lus.

SI VOUS AVEZ BESOIN DE SERVICE

Garder votre facture, le bordereau de livraison ou toute autre preuve de versement effectué. La date de la facture indique le début de la période de garantie dans l'éventualité où une réparation serait requise. Il est dans votre intérêt de demander et de conserver tous les reçus. Cette garantie écrite vous donne des droits légaux spécifiques. Il est possible que vous ayez également d'autres droits qui varient selon les régions. Les services couverts par cette garantie doivent être obtenus en contactant Produits Electrolux Nord-Américains:

USA
1•800•944•9044
Produits Electrolux
Nord-Américains
P.O. Box 212378
Augusta, GA 30917

Canada
1•866•294•9911
Produits Electrolux
Nord-Américains
802, boul. L'Ange-Gardien
L'Assomption, Québec
J5W 1T6

Cette garantie ne s'applique qu'aux 50 états des États-Unis, Puerto Rico, et Canada. Les caractéristiques du produit décrites ou illustrées sont sujettes à des modifications sans préavis. Toutes les garanties sont émises par Produits Electrolux Nord-Américains, une filiale de White Consolidated Industries, Inc. **Au Canada**, votre appareil est garanti par Electrolux Canada Corp.

Free Manuals Download Website

<http://myh66.com>

<http://usermanuals.us>

<http://www.somanuals.com>

<http://www.4manuals.cc>

<http://www.manual-lib.com>

<http://www.404manual.com>

<http://www.luxmanual.com>

<http://aubethermostatmanual.com>

Golf course search by state

<http://golfingnear.com>

Email search by domain

<http://emailbydomain.com>

Auto manuals search

<http://auto.somanuals.com>

TV manuals search

<http://tv.somanuals.com>