



## Side-by-Side Refrigerators

FFHS2313L S/M/P/E

23 Cu. Ft. Standard-Depth



### Signature Features

#### Store-More™ Organization System

Our Store-More™ organization system includes gallon door, stacked drawer, and adjustable door bins to keep food organized and easy to find when you need it.

#### Store-More™ Humidity-Controlled Crisper Drawer

Keep your fruits and vegetables fresh in our humidity-controlled crisper drawer.

#### PureSource 3®

PureSource 3® Water Filtration gives you cleaner, better-tasting water at your fingertips.

#### Store-More™ Gallon Door Bins

Door storage gives you room for larger items like a gallon of milk.

### Product Dimensions

Height (Including Hinges & Rollers)	69-3/8"
Width (Doors)	33"
Depth (Including Door)	31-3/4"

### More Easy-To-Use Features

#### SpillSafe® Shelves

Designed to keep spills contained, making cleanup a breeze.

#### Energy Saver Plus Technology<sup>1</sup>

Our refrigerator will automatically go into an energy-saving mode if not opened for 24 hours.

#### Ready-Select™ Controls

Easily select options with the touch of a button.

#### Bright Lighting

Our bright lighting makes it easy to see what's inside.

#### Filter Change Alert

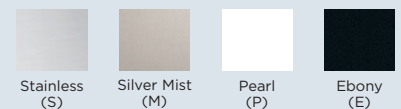
#### Control Lock Option

#### Attractive Stainless Steel Exterior<sup>2</sup>

ENERGY STAR®



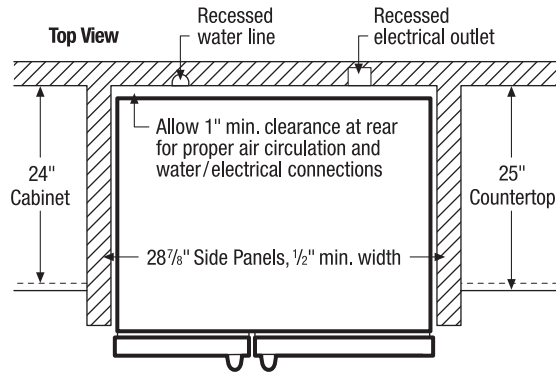
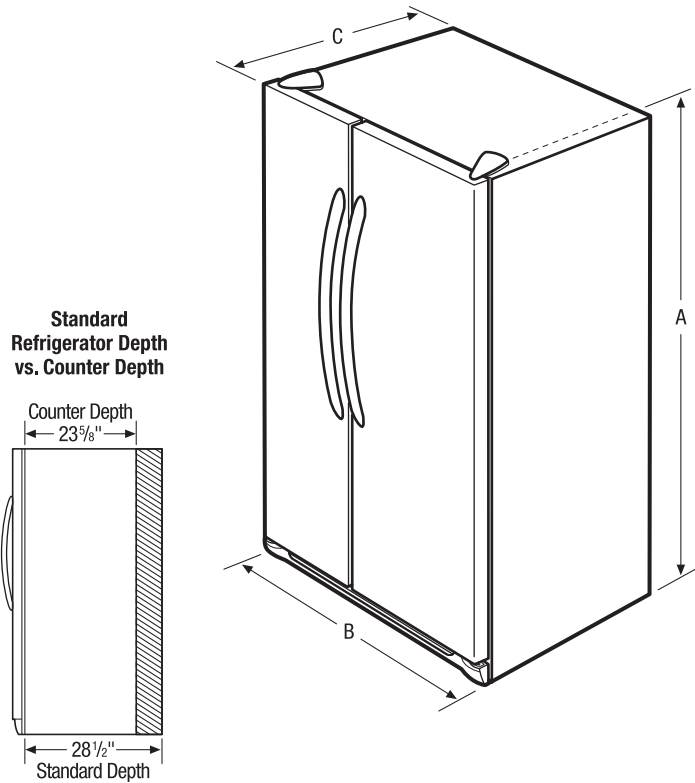
### Available in:



<sup>1</sup>If this refrigerator door is not opened for 24 hours AND the refrigerator system is set to the 12-hour defrost cycle, then the system automatically goes to a 96-hour compressor run time defrost cycle to conserve electricity.

<sup>2</sup>Select models only.

<b>Features</b>	
Door Design	UltraSoft™
Door Handle Design	Stainless (S), Black (M), Color-Coordinated (P/E)
Cabinet Finish	Black (S/M), Color-Coordinated (P/E)
Door Stops/Door Closers	Yes/Yes
Door Hinge Covers	Hidden
Rollers - Front/Rear	Adjustable/Yes
Energy Saver Plus Technology	Yes
Water Filter Location	Top Right Rear
Sound Package	Quiet Pack
<b>Dispenser</b>	
Controls	Ready-Select™
Dispenser Design	Tall, 2-Paddle
Number of Dispenser Buttons	5
Crushed Ice/Cube Ice/Chilled Water	Yes/Yes/Yes
Ice Option/Freeze Option	
Display On/Off Option	
Control Lock/Light	Yes/Yes
Temp/Door Ajar/Power Failure Alerts	
Water Filter Change Indicator Light	Yes
Air Filter Change Indicator Light	
<b>Refrigerator Features</b>	
Interior Lighting	Bright
Water Filter Type	PureSource 3*
Air Filter Type	
Fixed Shelves	3 SpillSafe*
Sliding Shelves	
Deli Drawer	
Wine/Can Rack	
Upper Crisper/Lower Crisper	1 Clear/1 Clear
Humidity Controls	1
Dairy Compartment	1 Clear
Fixed Door Bins	2 Two-Liter White
Adjustable Door Bins	2 One-Gallon White
Non-Slip Bin Liner/Bottle Retainers	
Condiment Bin	Yes
<b>Freezer Features</b>	
Door Bins/Tilt-Out Wire Door Bins	4 White/No
Fixed Shelves	1 Flip-Out/2 Wire
Full Extension Baskets	
Full Freezer Baskets	1 Plastic
Half Freezer Baskets	
Ice Cream Shelf/Pizza Shelf	
SpaceSaver™ Shelf	
Lighting	Bright
<b>Certifications</b>	
ENERGY STAR®	Yes
<b>Specifications</b>	
Total Capacity (Cu. Ft.)	22.6
Refrigerator Capacity (Cu. Ft.)	14.2
Freezer Capacity (Cu. Ft.)	8.3
Power Supply Connection Location	Right Bottom Rear
Water Inlet Connection Location	Left Bottom Rear
Voltage Rating	120V/60Hz/15 or 20A
Connected Load (kW rating) @ 120 Volts¹	1.02
Amps @ 120 Volts	8.5
Minimum Circuit Required (Amps)	15
Shipping Weight (Approx.)	285 Lbs.



NOTE: For planning purposes only. Always consult local and national electric and plumbing codes. Refer to Product Installation Guide for detailed installation instructions on the web at [frigidaire.com](http://frigidaire.com).



Product Dimensions	
A - Height (Incl. Hinges and Rollers)	69-3/8"
B - Cabinet Width/Door Width	32-5/8" / 33"
C - Depth (Incl. Door)	31-3/4"
Depth with Door Open 90°	49-3/4"

¹For use on adequately wired 120V, dedicated circuit having 2-wire service with a separate ground wire. Appliance must be grounded for safe operation.

Accessories information available on the web at [frigidaire.com](http://frigidaire.com)

FRIGIDAIRE

USA • 10200 David Taylor Drive • Charlotte, NC 28262 • 1-800-FRIGIDAIRE • [frigidaire.com](http://frigidaire.com)  
 CANADA • 5855 Terry Fox Way • Mississauga, ON L5V 3E4 • 1-800-265-8352 • [frigidaire.ca](http://frigidaire.ca)

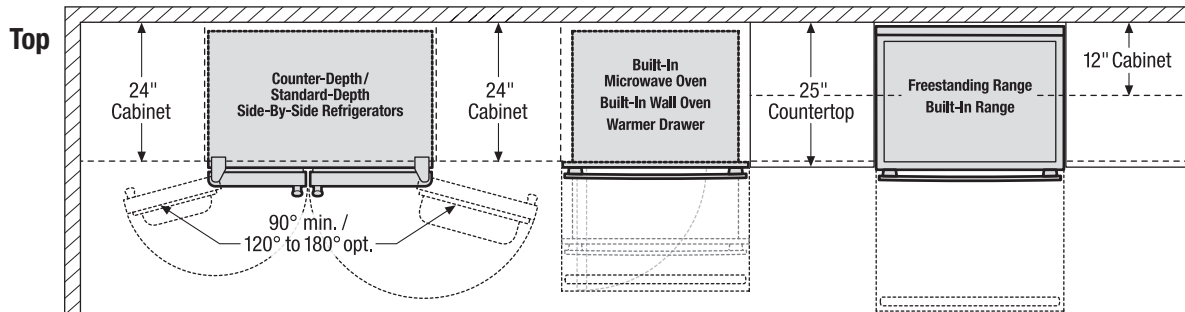
FFHS2313L 11/10

Use these dimensions and clearance instructions for planning purposes only. For detailed installation instructions, refer to installation guide, packed with product, or on the web at [frigidaire.com](http://frigidaire.com).



When installing appliances adjacent to each other, 20" minimum distance between each appliance required.

When installing built-in cooking appliances in combination, 2" minimum visible gap between appliance faceplates required.



When installing side-by-side refrigerator adjacent to wall, cabinet or another appliance that extends beyond front edge of unit, 20" minimum clearance recommended to allow for optimum 120° to 180° door swing, providing complete drawer/crisper access and removal.

When installing appliance with sliding drawer, swinging or drop-down door directly across from obstructions, provide sufficient clearance for drawer extension or door swings.



When installing appliance with sliding drawer or drop-down door directly across from obstructions, provide sufficient clearance for drawer extension or door swing.

When installing appliance with sliding drawer or drop-down door adjacent to wall, cabinet, or other obstruction that extends beyond front edge of appliance, allow 2" minimum clearance between drawer or door and obstruction.

## Free Manuals Download Website

<http://myh66.com>

<http://usermanuals.us>

<http://www.somanuals.com>

<http://www.4manuals.cc>

<http://www.manual-lib.com>

<http://www.404manual.com>

<http://www.luxmanual.com>

<http://aubethermostatmanual.com>

Golf course search by state

<http://golfingnear.com>

Email search by domain

<http://emailbydomain.com>

Auto manuals search

<http://auto.somanuals.com>

TV manuals search

<http://tv.somanuals.com>