

Frigidaire

Factory Parts Catalog

| | |
|---------------------------|---------------|
| Product No. | GLGT1031FS5 |
| Market | North America |
| Color | white |
| Volts | 120 |
| Wiring Diagram | 137132600 |
| Owner's Guide | 137232600 |
| Installation Instructions | 134897500 |
| Energy Guide | 134810400 |

 **Electrolux**

Electrolux Major Appliances
North & Latin America
P.O. BOX 212378
AUGUSTA, GA 30917

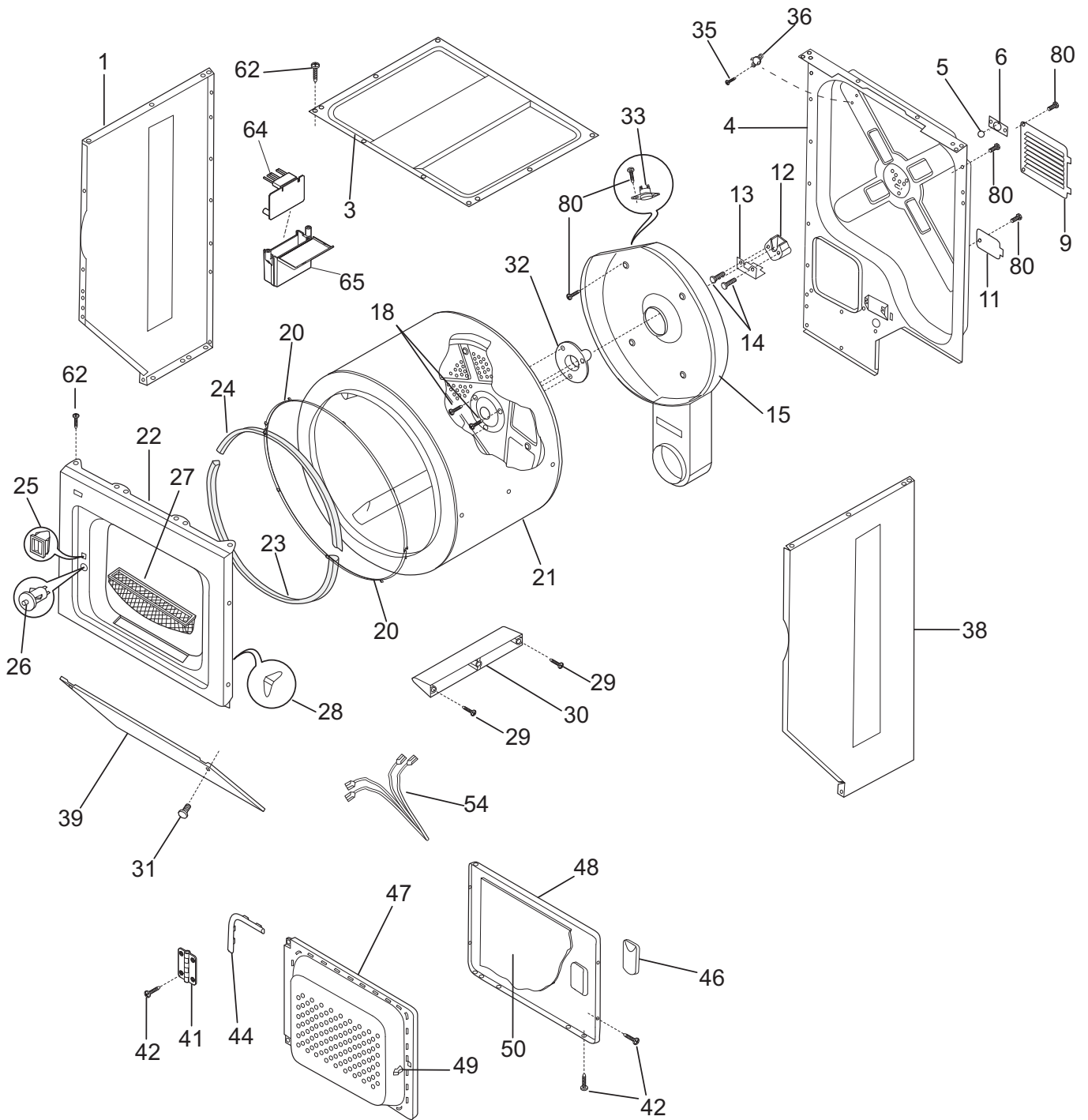
Publication No.
5995552378
09/09/16
(EN/SERVICE/WTC)
361

**LAUNDRY CENTER
WITH GAS DRYER**

Model No.
GLGT1031F

Copyright © 2009 Electrolux Home Products, Inc.
All rights reserved.

UPPER CABINET/DRUM HEATER

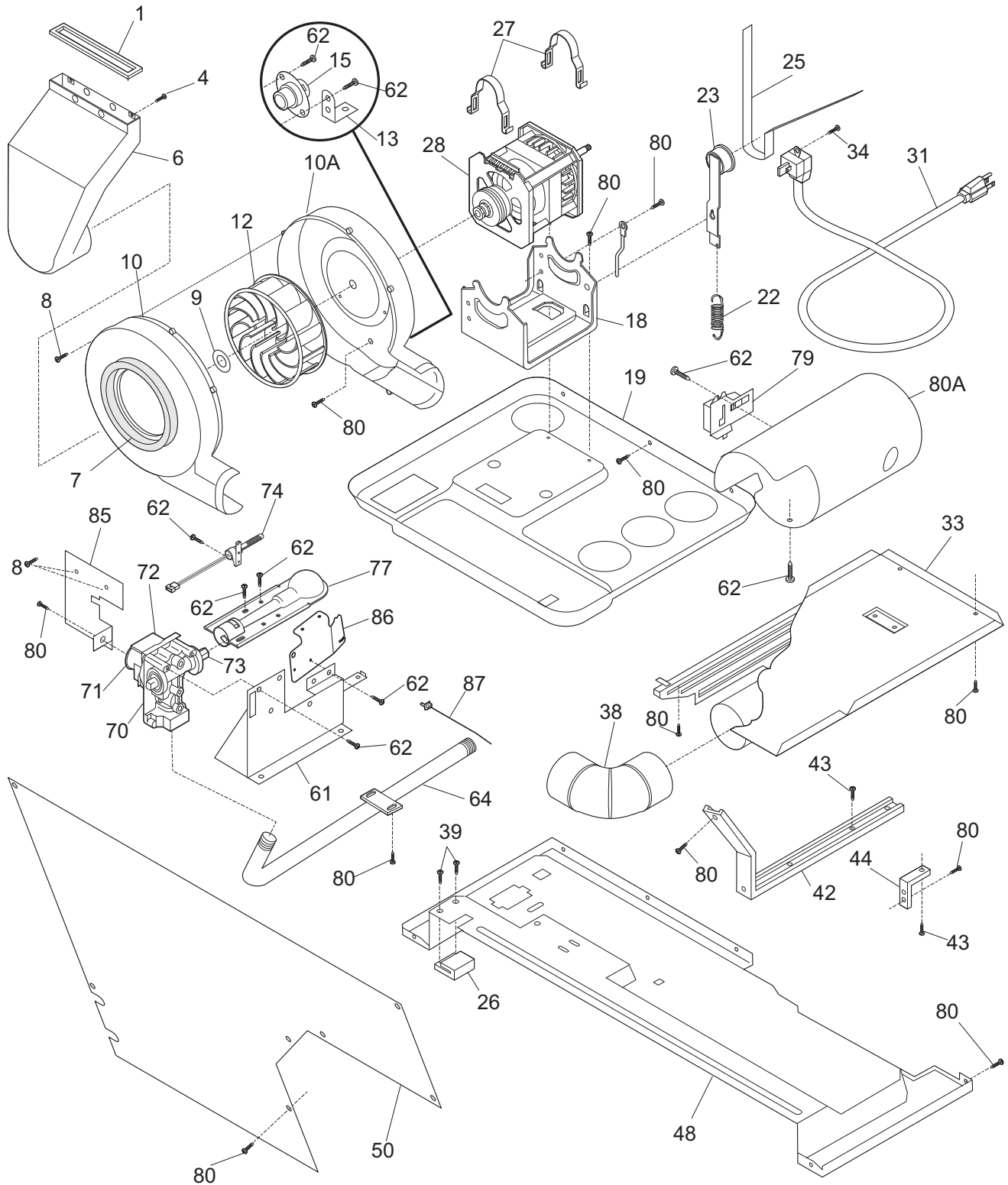


P17U0073

UPPER CABINET/DRUM HEATER

| POS. NO | PART NO. | DESCRIPTION |
|---------|------------|---|
| 1 | 131084710 | Panel, white, left side |
| 3 | 131883301 | Panel, top |
| 4 | 134799902 | Panel, rear, steel, galvanized |
| 5 | 5303281019 | Ball, grounding |
| 6 | 5303281020 | Clip, ball, steel, flat nut |
| 9 | 137223901 | Panel, motor access, rear |
| 11 | 5303207395 | Cover, terminal block |
| 12 | 131825900 | Bearing, drum support |
| 13 | 131724300 | Bracket, bearing support |
| 14 | 131205400 | Screw, bracket mtg., 10-16B x 1.375, cr/sq drive |
| 15 | 131776500 | Housing, heater, w/duct |
| 18 | 131477000 | Screw, 10-16AB x 0.375 |
| 20 | 131963900 | Glide, drum |
| 21 | 134122572 | Drum, dryer, painted, service kit |
| 22 | 131636237 | Panel, front, white |
| 22* | 131870700 | Plug, light hole |
| 23 | 134134700 | Seal, felt, lower |
| 24 | 134036400 | Seal, felt, upper |
| 25 | 131658800 | Door Catch, upper |
| 26 # | 131843100 | Switch, door |
| 27 | 131359600 | Lint Trap |
| 28 | 134440000 | Clip, guide |
| 29 | 131382300 | Screw, quadrex head, 10-14 x 1.00, vane mtg., special |
| 30 | 5303201200 | Vane, straight |
| 31 | 131202300 | Screw, 10-16AB x 0.625 |
| 32 | 137088620 | Shaft, drum support, ballhitch |
| 33 # | 5304406099 | Thermostat, safety |
| 33* | 137061900 | Jumper-wire |
| 35 | 131892100 | Screw, 6-20B x 0.230 |
| 36 # | 134120900 | Thermal Limiter |
| 38 | 131084810 | Panel, white, right side |
| 39 | 131084402 | Panel, access, white, front |
| 41 | 134222900 | Hinge, dryer door |
| 42 | 134156200 | Screw, flat head, 8-18AB x 0.44, quad drive |
| 44 | 131129900 | Gasket, door seal |
| 46 | 131789400 | Handle, door, white |
| 47 | 131579103 | Panel, inner door, white |
| 48 | 131789303 | Panel, outer door, white |
| 49 | 5303211430 | Door Strike |
| 50 | 134535300 | Insulator, heat shield, outer door |
| 54 # | 134846300 | Wiring Harness, door switch |
| 62 | 131258400 | Screw, 10-16AB x 0.500 |
| 64 # | 134810610 | Control Board, temperature, ATC |
| 64*# | 134805600 | Wiring Harness, ATC jumper |
| 65 | 131894600 | Housing, temp cont board |
| 80 | 134547800 | Screw, 10-16AB x 0.375 |
| * | 137194800 | Bracket, support-LC |

MOTOR/BLOWER/BELT

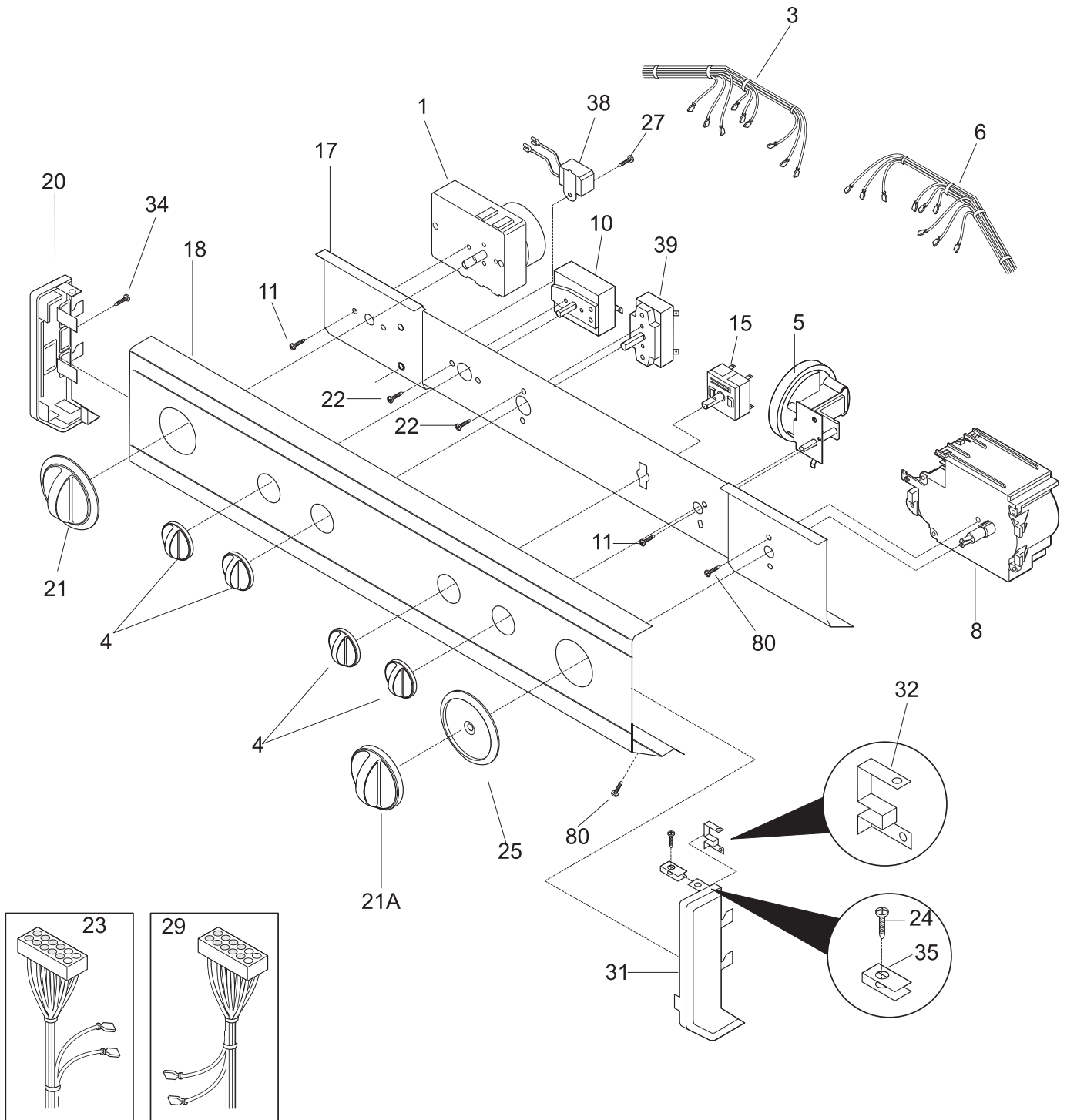


P17B0066

MOTOR/BLOWER/BELT

| POS. NO | PART NO. | DESCRIPTION |
|---------|------------|---|
| 1 | 131295200 | Seal, air duct |
| 4 | 131362400 | Fastener, push-in |
| 6 | 134086300 | Duct, air |
| 7 | 3204490 | Seal, housing, to air duct |
| 8 | 3205245 | Screw, pan head, 6-18AB x 0.60 |
| 9 | 5303304824 | Clamp |
| 10 | 137215200 | Housing, blower, front, with seal |
| 10A | 137134100 | Housing, blower, rear |
| 12 | 131476300 | Blower Wheel |
| 13 | 134608400 | Ground Strap, thermostat |
| 15 # | 134721400 | Thermostat, temp control |
| 18 | 131413600 | Cradle, motor mount, with idler stud |
| 19 | 134613501 | Panel, motor cradle mt, upper |
| 22 | 3205241 | Spring, idler |
| 23 | 131863100 | Idler Arm Assy, with pulley |
| 25 # | 134503900 | Belt, dryer drive |
| 26 | 5303212870 | Block, support, bottom panel |
| 27 | 134242400 | Clamp, motor mtg. |
| 28 # | 134196600 | Motor, dryer drive, with pulley |
| 31 # | 134500500 | Power Cord, electric svce |
| 33 | 131731410 | Shield, access area, cover |
| 34 | 134154100 | Screw, hex washer head, 10-32 x 0.375, ground |
| 38 | 3204320 | Elbow, exhaust duct |
| 39 | 131205100 | Screw, #8 pan head, 10-10B x 0.500, cr/sq drive |
| 42 | 5304439185 | Bracket, marriage, interior |
| 43 | 131751500 | Screw, hex head, 12-24T 0.63 |
| 44 | 3204326 | Bracket, L mounting, cabinet rear, external |
| 48 | 131731310 | Panel, dryer, bottom rear |
| 50 | 3204329 | Cover, safety, lower front |
| 61 | 5303309493 | Bracket, gas valve mtg |
| 62 | 131243700 | Screw, pan head, 8-18AB x 0.375 |
| 64 | 137076300 | Pipe, gas |
| 70 # | 5303207409 | Valve, gas |
| 71 # | 5300622602 | Solenoid, secondary coil |
| 72 # | 5308015680 | Solenoid, booster coil |
| 73 # | 5303211036 | Orifice, natural gas, size 44 |
| 74 # | 134393700 | Igniter Assy |
| 77 # | 134197700 | Burner, gas |
| 79 # | 5303281135 | Sensor, radiant |
| 80 | 134547800 | Screw, 10-16AB x 0.375 |
| 80A# | 131712401 | Tube, burner |
| 85 | 134287300 | Shield, heat |
| 86 | 134264800 | Plate, adapter |
| 87 | 131964400 | Cable Tie, push mount, 5.20 inch |
| * # | 134391000 | LP Conversion Kit, natural to LP |

CONTROL PANEL

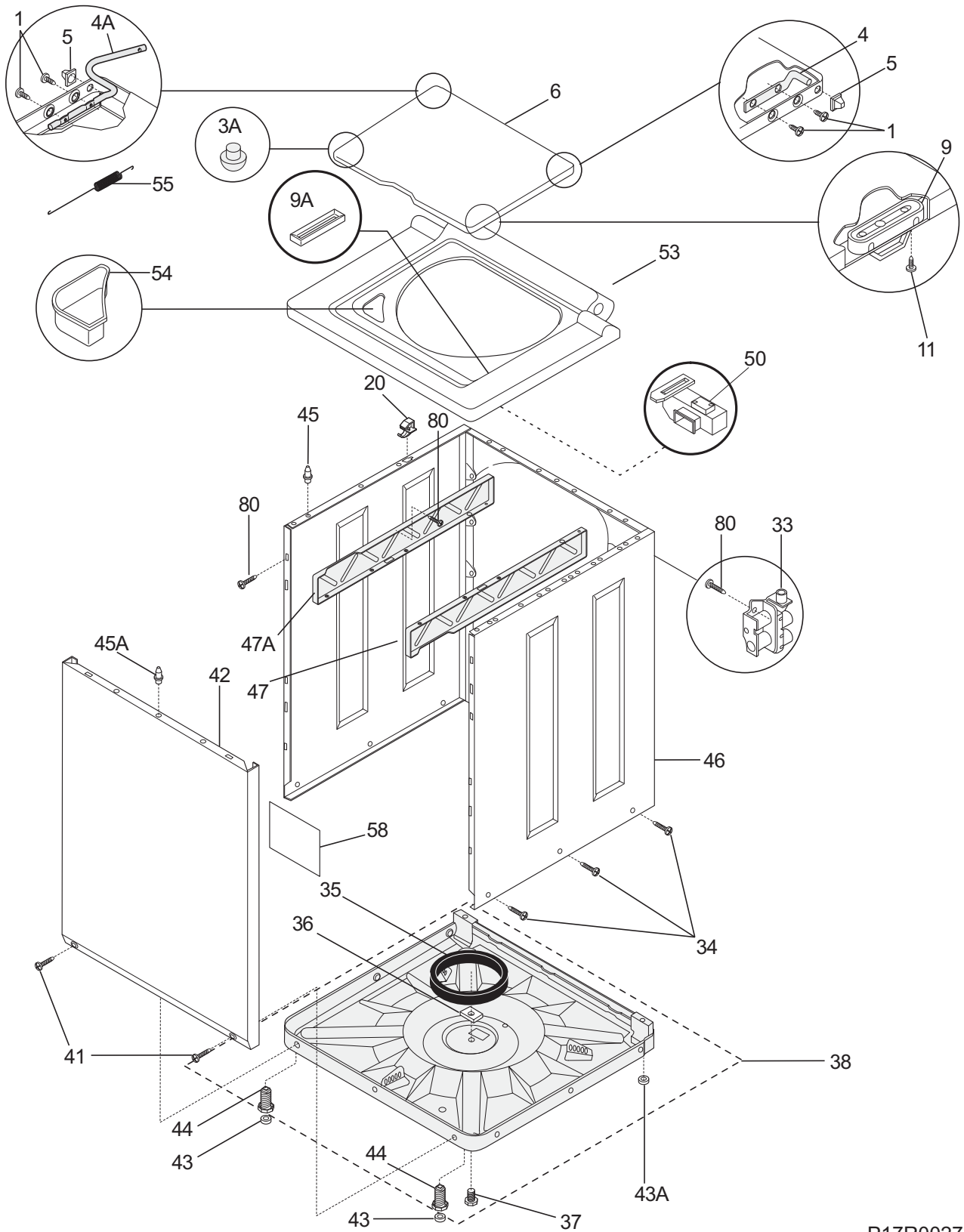


P17C0090

CONTROL PANEL

| POS. NO | PART NO. | DESCRIPTION |
|---------|------------|---|
| 1 | 131583801 | Timer, dryer, 3-off |
| 3 # | 131703600 | Wiring Harness, dryer control |
| 4 | 134844470 | Knob, rotary, white |
| 5 # | 137015000 | Switch, pressure, 3 position |
| 5* | 131209800 | Clamp, hose, pressure switch |
| 6 # | 137061000 | Wiring Harness, washer control |
| 8 # | 134924400 | Timer, 4-off w/bitron, washer |
| 10 # | 134399700 | Switch, start, LCD |
| 11 | 5303283289 | Screw, cr pan head, 8-32 x 0.250, thread forming |
| 15 # | 134410100 | Switch, temperature, 3 position |
| 17 | 134263400 | Bracket, control mount |
| 18 | 134284200 | Panel, trimplate, console front |
| 20 | 131288101 | End Cap, white, LH |
| 21 | 134043000 | Knob, dryer timer, white/dark gray |
| 21A | 134043200 | Knob, washer timer, white |
| 22 | 3161259 | Screw, switch mtg, 6-32 x 0.19, (2), sems |
| 23 # | 134605800 | Wiring Harness, main |
| 23* | 5304426200 | Screw, terminal block |
| 23*# | 134101400 | Terminal Block, main |
| 24 | 134156200 | Screw, flat head, 8-18AB x 0.44, quad drive |
| 25 | 131976804 | Indicator, timer pointer, white/dark gray, washer |
| 27 | 131892100 | Screw, 6-20B x 0.230 |
| 29 # | 137061100 | Wiring Harness, washer, lower |
| 31 | 131288211 | End Cap, white, RH |
| 32 | 3204357 | Clip, grounding |
| 34 | 131243700 | Screw, pan head, 8-18AB x 0.375 |
| 35 | 5308014350 | Clip, end cap mtg, U-type |
| 38 # | 5303286537 | Buzzer |
| 39 # | 134399800 | Switch, dryer temp, rotary 4 pos |
| 80 | 134547800 | Screw, 10-16AB x 0.375 |

LOWER CABINET/TOP

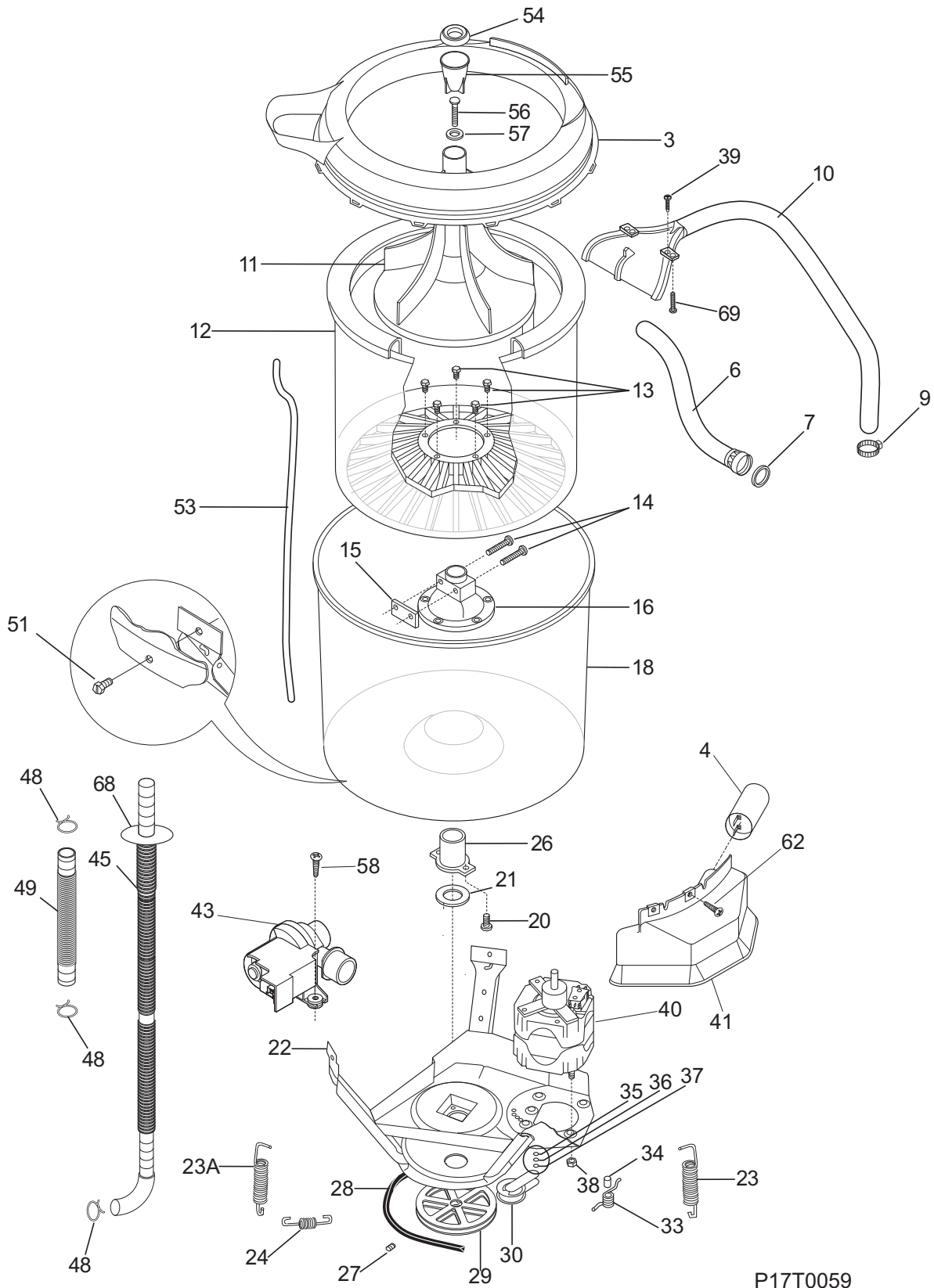


P17R0027

LOWER CABINET/TOP

| POS. NO | PART NO. | DESCRIPTION |
|---------|------------|--|
| 1 | 134203900 | Screw, pan hd phillips, 6-32 x 0.337, dog point |
| 3A | 134075500 | Bumper, lid, front |
| 4 | 137104700 | Hinge Bar, RH |
| 4A | 3205250 | Hinge Bar, Universal |
| 5 | 5303208743 | Grommet, hinge |
| 6 | 5303212872 | Lid, washer, white |
| 9 | 131390000 | Lid Strike |
| 9A | 134768500 | Insert, striker plate, lid slot |
| 11 | 3204368 | Screw, lid strike mtg, 6-20B X 0.375 |
| 20 | 3204374 | Pin, slide, side to top |
| 33 # | 134890600 | Valve, water, 115 V |
| 34 | 131205500 | Screw, cab body, 1/4-14 x 0.625, side-to-base |
| 35 | 5308002385 | Snubber Ring |
| 36 | 3204380 | Shipping Block |
| 37 | 131658900 | Screw, shipping, 1/4-20 x 1.001, yellow, unit base, thread forming |
| 38 | 5303311213 | Base Assembly |
| 41 | 131258400 | Screw, 10-16AB x 0.500 |
| 42 | 131104303 | Panel, front, white |
| 43 | 131422100 | Pad, leveling leg |
| 43A | 131422200 | Pad, self lvlg leg, rear |
| 44 | 5303309673 | Screw, leveling leg, with pad |
| 45 | 131346400 | Pin, panel locator |
| 45A | 131346401 | Pin, panel locator, front |
| 46 | 134046600 | Cabinet Assy, white, back and sides |
| 47 | 131106701 | Bracket, marriage, RH |
| 47A | 131091001 | Bracket, marriage, LH |
| 50 | 134936800 | Lock, lid, bitron |
| 53 | 137194710 | Panel, washer top, white |
| 54 | 3204394 | Dispenser, bleach |
| 55 | 137046100 | Spring, lid assist |
| 58 | 131744202 | Damper, vibration, 2.5X2.5X.070 |
| 80 | 134547800 | Screw, 10-16AB x 0.375 |

MOTOR/TUB

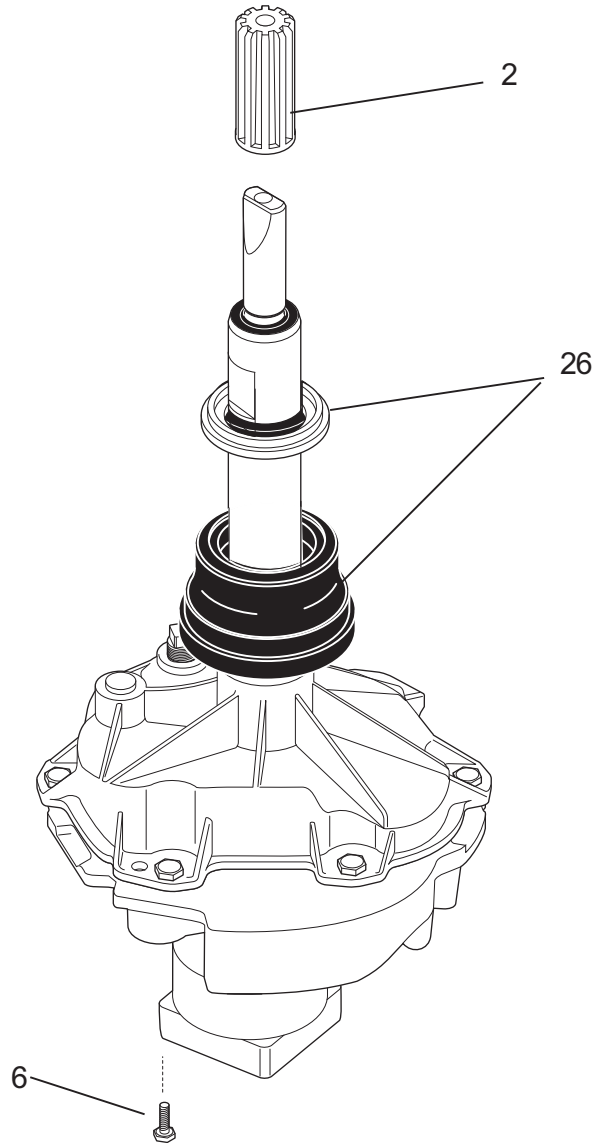
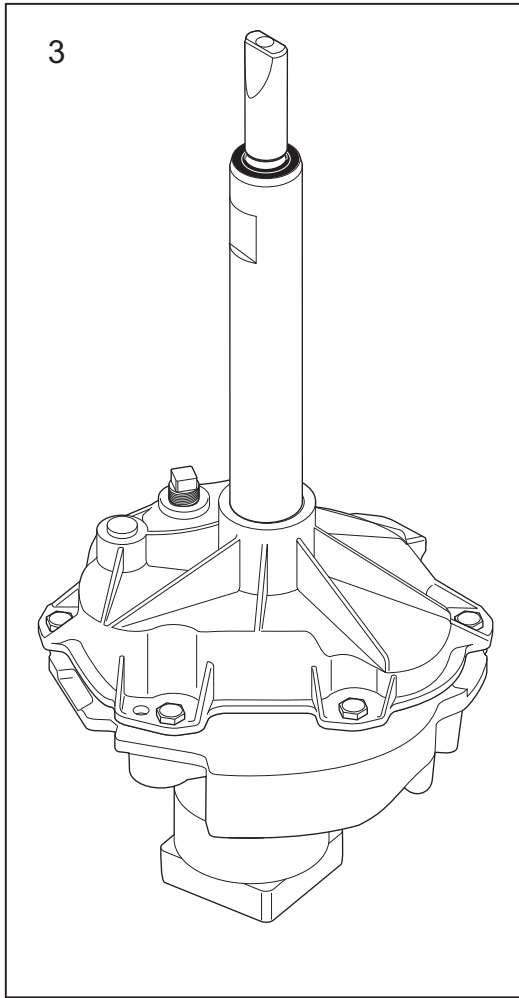


P17T0059

MOTOR/TUB

| POS. NO | PART NO. | DESCRIPTION |
|---------|------------|--|
| 3 | 131551103 | Cover, splash tub, with seal |
| 3* | 131901400 | • Seal, splash cover |
| 4 # | 131212303 | Capacitor, motor |
| 6 | 131454100 | Hose, water inlet, 4 ft., hose & washer |
| 7 | 5303161296 | Washer, inlet hose |
| 9 | 5303304824 | Clamp |
| 10 | 134211700 | Hose Assy, w/nozzle |
| 11 | 131427200 | Agitator |
| 12 | 131221300 | Tub, spin |
| 13 | 5303283293 | Screw, trunion, 5/16-18 x 0.625, (5) |
| 14 | 131192800 | Screw, lockplate, 5/16-18 x 1.625 |
| 15 | 137107000 | Plate, lock |
| 16 | 131545101 | Trunnion |
| 18 | 131557201 | Tub, splash, w/air dome, brg |
| 20 | 3205150 | Screw, tub bearing, 8-12B x 0.750 |
| 21 | 5308002401 | Washer, spin bearing, upper |
| 22 | 131373610 | Leg & Dome Assy |
| 23 | 134886600 | Spring, vertical, short |
| 23* | 5303212877 | Insert, spring adjuster, vertical |
| 23A | 134885900 | Spring, vertical |
| 24 | 131373900 | Spring, horizontal |
| 26 # | 3204405 | Bearing, outer tub |
| 27 | 5303304825 | Screw, set, hex hd cup, 5/16-18 x 0.85, xmsn pulley, hex head cup pt |
| 28 # | 134511600 | V-Belt, washer drive, standard 4L |
| 29 # | 131498301 | Pulley, xmsn drive |
| 30 # | 131862900 | Idler Arm Assy, VAW, with pulley |
| 33 | 3204425 | Spring, torsional |
| 34 | 3204426 | Sleeve, idler pivot |
| 35 | 3161433 | Ring, retaining |
| 36 | 5303261031 | Washer, pivot shaft |
| 37 | 5303161306 | Washer, spring type |
| 38 | 5303318708 | Nut, hex flange, motor mounting |
| 39 | 131205100 | Screw, #8 pan head, 10-10B x 0.500, cr/sq drive |
| 40 # | 134159500 | Motor, 3/4 hp, 2 speed, with pulley |
| 41 | 134455500 | Shield, motor assy |
| 43 # | 137151800 | Pump, drain |
| 45 # | 134592700 | Hose, drain |
| 45* | 131453000 | Bushing, snap-in |
| 45* | 131663500 | Cushion, drain hose, base |
| 45* | 134261300 | Clip, drain hose, push-mount |
| 45* | 134745300 | Clip, drain hose |
| 48 | 131306234 | Clamp, hose, wire |
| 49 # | 131494800 | Hose, pump to tub |
| 51 | 134164400 | Screw, hex washer head, 5/16-18 x 0.625 |
| 53 | 5304401845 | Tube, pressure, vinyl |
| 54 | 131266800 | Cap, dispenser |
| 55 | 131206100 | Cup, dispenser |
| 56 | 131468900 | Screw, agitator mtg, 5/16-18 x 1.250 |
| 57 | 131339600 | Spacer, agitator mtg, rubber |
| 58 | 134160900 | Screw, washer hd, 10-16AB X 0.75 |
| 62 | 131258400 | Screw, 10-16AB x 0.500 |
| 68 | 131707800 | Ring, drain hose |
| 68* | 5303309503 | Clip, drain hose, back sheet |
| 69 | 131731500 | Fastener, ratchet |

TRANSMISSION



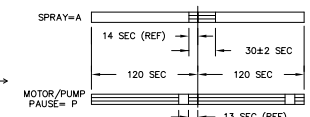
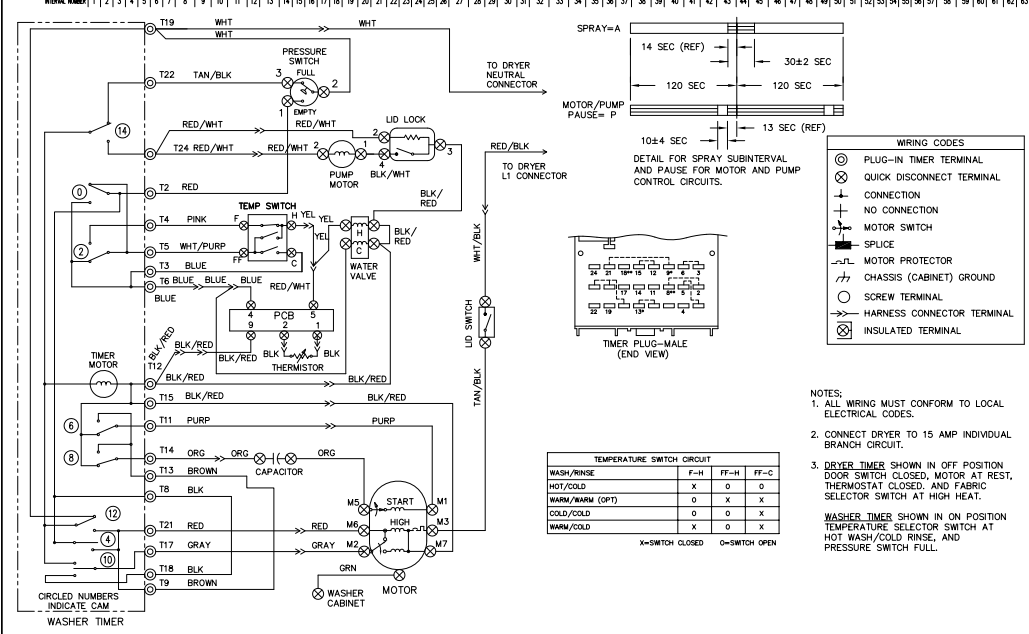
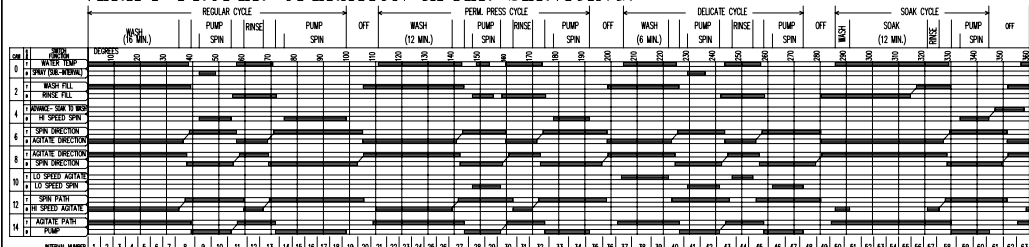
P17M0015

TRANSMISSION

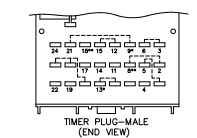
| POS. NO | PART NO. | DESCRIPTION |
|---------|------------|--|
| 2 # | 134418700 | Hub, drive, agitator |
| 3 # | 134736400 | Transmission, service kit |
| 6 | 134197900 | Screw, hex washer head, 1/4-20 x 0.437 |
| 26 # | 5303279394 | Seal Assy, tub, transmission |
| * | 134810400 | Energy Guide |

WIRING DIAGRAM

CAUTION: DISCONNECT ELECTRIC CURRENT BEFORE SERVICING. LABEL ALL WIRES PRIOR TO DISCONNECTION WHEN SERVICING CONTROLS. WIRING ERRORS CAN CAUSE IMPROPER AND DANGEROUS OPERATION. VERIFY PROPER OPERATION AFTER SERVICING.



DETAIL FOR SPRAY SUBINTERVAL AND PAUSE FOR MOTOR AND PUMP CONTROL CIRCUITS.



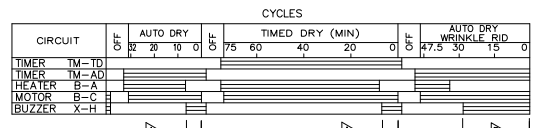
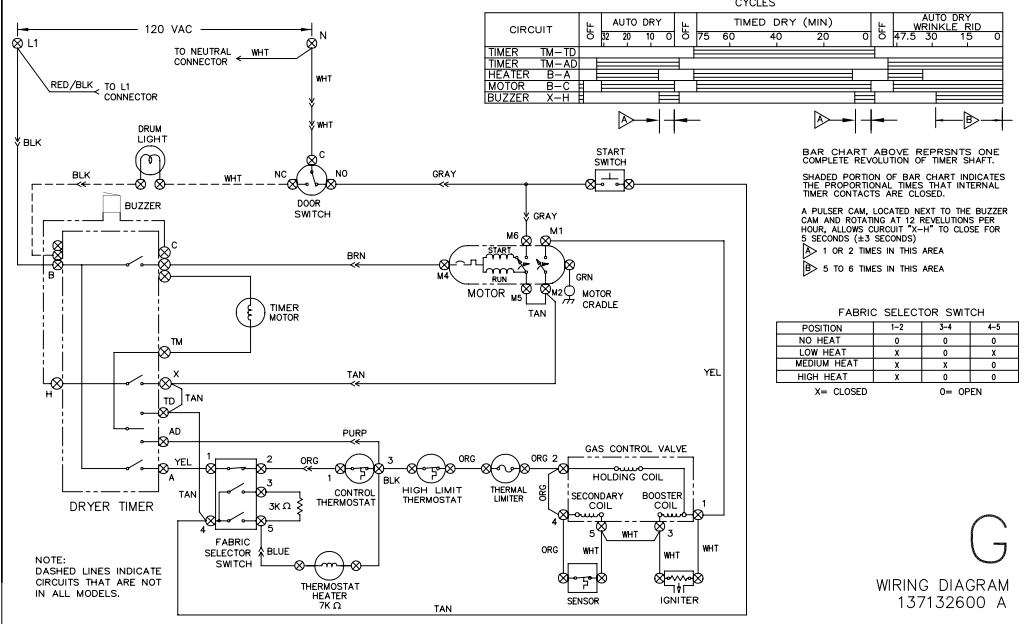
- WIRING CODES**
- ⊗ PLUG-IN TIMER TERMINAL
 - ⊕ QUICK DISCONNECT TERMINAL
 - CONNECTION
 - + NO CONNECTION
 - ⊞ MOTOR SWITCH
 - SPURGE
 - MOTOR PROTECTOR
 - CHASSIS (CABINET) GROUND
 - SCREW TERMINAL
 - HARNESS CONNECTOR TERMINAL
 - ⊞ INSULATED TERMINAL

- NOTES:**
- ALL WIRING MUST CONFORM TO LOCAL ELECTRICAL CODES.
 - CONNECT DRYER TO 15 AMP INDIVIDUAL BRANCH CIRCUIT.
 - DRYER TIMER SHOWN IN OFF POSITION. DOOR SWITCH CLOSED, MOTOR AT REST, THERMOSTAT CLOSED, AND FABRIC SELECTOR SWITCH AT HIGH HEAT.
- WASHER TIMER SHOWN IN ON POSITION. TEMPERATURE SELECTOR SWITCH AT HOT WASH/COLD RINSE, AND PRESSURE SWITCH FULL.

TEMPERATURE SWITCH CIRCUIT

| | F-H | FF-H | FF-C |
|-----------------|-----|------|------|
| WASH/RINSE | | | |
| HOT/COLD | X | 0 | 0 |
| WARM/WARM (OPT) | 0 | X | X |
| COLD/COLD | 0 | 0 | X |
| WARM/COLD | X | 0 | X |

X=SWITCH CLOSED 0=SWITCH OPEN



BAR CHART ABOVE REPRESENTS ONE COMPLETE REVOLUTION OF TIMER SHAFT. SHADED PORTION OF BAR CHART INDICATES THE PROPORTIONAL TIMES THAT INTERNAL TIMER CONTACTS ARE CLOSED.

A PULSER CAM, LOCATED NEXT TO THE BUZZER CAM AND ROTATING AT 12 REVOLUTIONS PER HOUR, ALLOWS CIRCUIT X-H TO CLOSE FOR 5 SECONDS (±3 SECONDS)

1 OR 2 TIMES IN THIS AREA
 5 TO 6 TIMES IN THIS AREA

FABRIC SELECTOR SWITCH

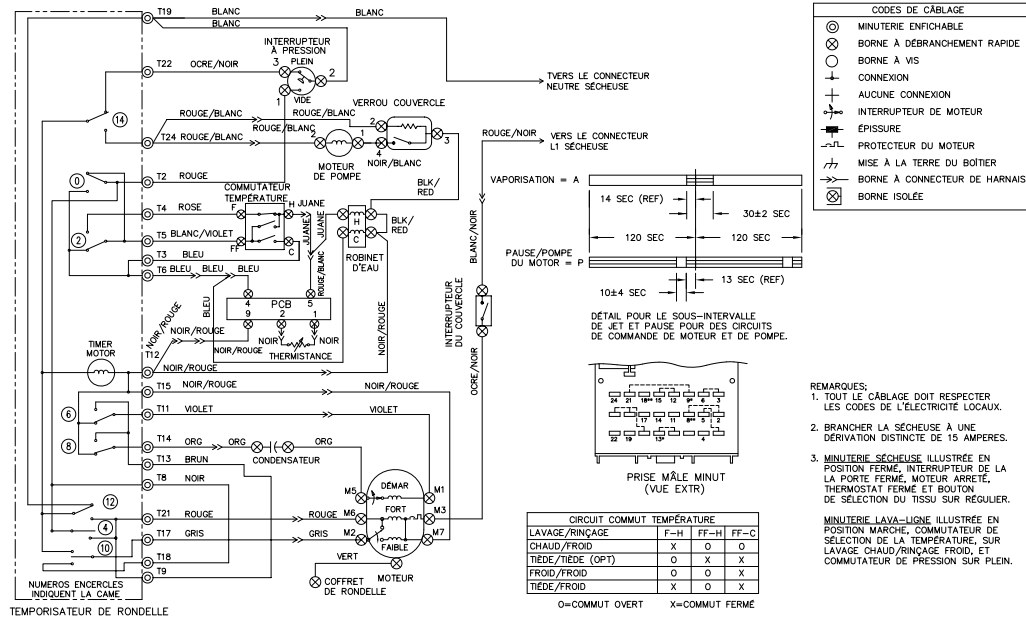
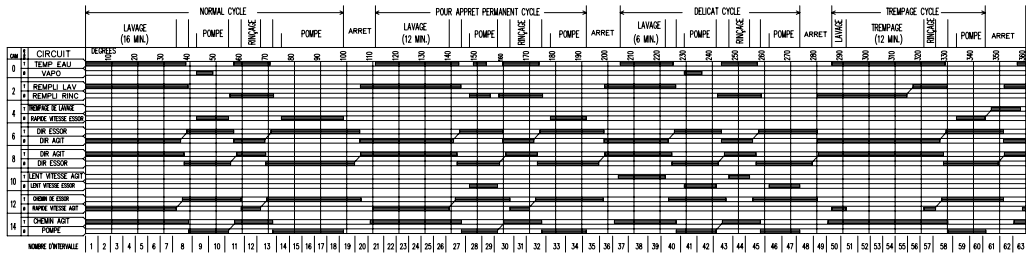
| POSITION | 1-2 | 3-4 | 4-5 |
|-------------|-----|-----|-----|
| NO HEAT | 0 | 0 | 0 |
| LOW HEAT | X | 0 | X |
| MEDIUM HEAT | X | X | 0 |
| HIGH HEAT | X | 0 | 0 |

X= CLOSED 0= OPEN

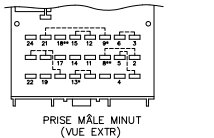
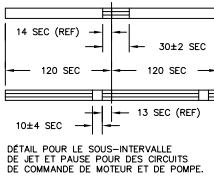
G
 WIRING DIAGRAM
 137132600 A

WIRING DIAGRAM

ATTENTION: LORS DES OPERATIONS D'ENTRETIEN DES COMMANDES, ÉTIQUETER TOUS LES FILS AVANT DE LES DÉCONNECTER. TOUTE ERREUR DE CÂBLAGE PEUT ÊTRE UNE SOURCE DE DANGER ET DE PANNE. S'ASSURER QUE L'APPAREIL FONCTIONNE ADÉQUATEMENT UNE FOIS L'ENTRETIEN TERMINÉ.



- CODES DE CÂBLAGE**
- ⊗ MINUTERIE ENFICHABLE
 - ⊗ BORNE À DEBRANCHEMENT RAPIDE
 - BORNE À VIS
 - ⊕ CONNEXION
 - + AUCUNE CONNEXION
 - ⊗ INTERRUPTEUR DE MOTEUR
 - ⊗ ÉPISSURE
 - ⊗ PROTECTEUR DU MOTEUR
 - ⊗ MISE À LA TERRE DU BOÎTER
 - ⊗ BORNE À CONNECTEUR DE HARNAIS
 - ⊗ BORNE ISOLÉE



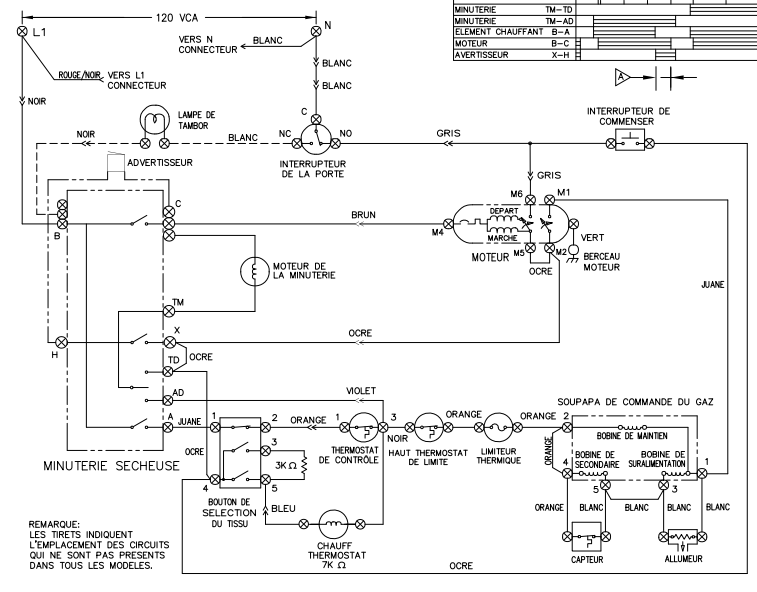
CIRCUIT COMMUT TEMPERATURE

| LAVAGE/RINÇAGE | F-H | FF-H | FF-C |
|-------------------|-----|------|------|
| CHAUD/FROID | X | 0 | 0 |
| TIEDE/TIEDE (OPT) | 0 | X | X |
| FROID/FROID | 0 | 0 | X |
| TIEDE/FROID | X | 0 | X |

0=COMMUT OVERT X=COMMUT FERMÉ

- REMARQUES:**
- TOUT LE CÂBLAGE DOIT RESPECTER LES CODES DE L'ELECTRICITE LOCAUX.
 - BRANCHER LA SÈCHEUSE À UNE DÉRIVATION DISTINCTE DE 15 AMPERES.
 - MINUTERIE SÈCHEUSE ILLUSTRÉE EN POSITION FERMÉ, INTERRUPTEUR DE LA LA PORTE FERMÉ, MOTEUR ARRÊTÉ, THERMOSTAT FERMÉ ET BOUTON DE SÉLECTION DU TISSU SUR RÉGULIER.

| CIRCUIT | SÈCHEUSE AUTOMATIQUE | | | | SÈCHEUSE MINUTE | | | | SÈCHEUSE AUTOMATIQUE ANTI-FROUSSEMENT | | | | | |
|-----------------------|----------------------|----|----|----|-----------------|---|-------|------|---------------------------------------|----|---|-------|-----|---|
| | ARRÊT | 75 | 60 | 40 | 20 | 0 | ARRÊT | 47,5 | 30 | 15 | 0 | ARRÊT | 7,5 | 0 |
| MINUTERIE TM-10 | | | | | | | | | | | | | | |
| MINUTERIE TM-AD | | | | | | | | | | | | | | |
| ELEMENT CHAUFFANT B-A | | | | | | | | | | | | | | |
| MOTEUR B-C | | | | | | | | | | | | | | |
| AVERTISSEUR X-H | | | | | | | | | | | | | | |



- LE DIAGRAMME HACHURE CI-DESSUS REPRÉSENTE UNE ROTATION COMPLETE DE L'ARRÊT DE LA MINUTERIE.
- LE PARTIE OMBRÉE DU DIAGRAMME INDIQUE LE TEMPS RELATIF PENDANT LEQUEL LES CONTACTS INTERNES DE LA MINUTERIE SONT FERMÉS.
- UNE CAME D'IMPULSION SITÉE À CÔTÉ DE LA CAME DE L'AVERTISSEUR ET TOURNANT À RAISON DE 12 TOURS À L'HEURE PERMET AU CIRCUIT DE SE FERMER PENDANT 5 SECONDES (± 3 SECONDES).
- ▷ 1 ou 2 FOIS DANS CETTE SECTION
 - ▷ DE 5 À 6 FOIS DANS CETTE SECTION

COMMUTATEUR SÉLECTION TISSU

| POSITION | 1-2 | 3-4 | 4-5 |
|-----------------|-----|-----|-----|
| SANS CHALEUR | 0 | 0 | 0 |
| CHALEUR FAIBLE | X | 0 | X |
| CHALEUR MOYENNE | X | X | 0 |
| CHALEUR FORTE | X | 0 | 0 |

0=COMMUT OUVERT X=COMMUT FERMÉ

G

SCHÉMA DE CÂBLAGE
137132600 A

Free Manuals Download Website

<http://myh66.com>

<http://usermanuals.us>

<http://www.somanuals.com>

<http://www.4manuals.cc>

<http://www.manual-lib.com>

<http://www.404manual.com>

<http://www.luxmanual.com>

<http://aubethermostatmanual.com>

Golf course search by state

<http://golfingnear.com>

Email search by domain

<http://emailbydomain.com>

Auto manuals search

<http://auto.somanuals.com>

TV manuals search

<http://tv.somanuals.com>