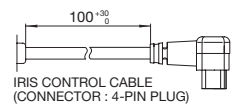
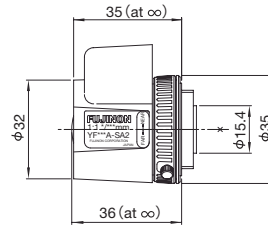
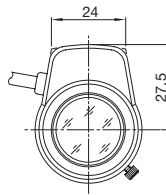


FUJINON CCTV LENS

Fixed Focal (4mm)

YF4A-SA2B

Applicable camera (model) 1 2/3 1/2 1/3 1/4 For Security

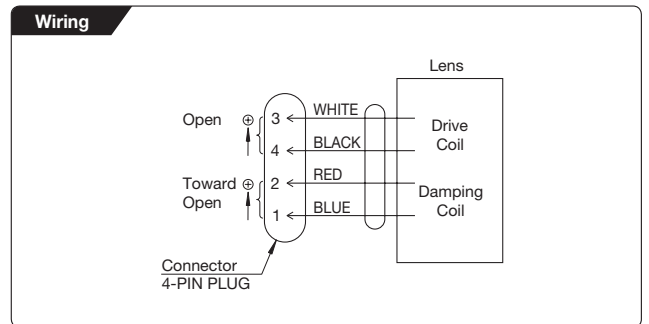


IRIS CONTROL CABLE (CONNECTOR : 4-PIN PLUG)

Unit : mm

YF4A-SA2B		
Focal Length (mm)	4	
Iris Range	F1.2 - T360(Equivalent to F360)	
Operation	Focus	Manual
	Iris	Auto(DC Type)*1
Angle Of View (HxV)	1/3"	65°21' × 49°27'
	1/4"	49°27' × 37°15'
Focusing Range (From Front Of The Lens)(m)	∞ - 0.1	
Object Dimensions at M.O.D. (HxV)(mm)	1/3"	132 × 99
	1/4"	99 × 73
Back Focal Distance (in air) (mm)	8.62	
Exit Pupil Position (From Image Plane) (mm)	727	
Filter Thread (mm)	-	
Mount	CS	
Mass (g)	40	
Coil Resistance	Drive Coil	200 Ω
	Damping Coil	600 Ω
Current Consumption	22mA(Max.) at DC 4V	
Remarks	(*1) The iris automatically closes when the camera is turned off. YF4A-SA2LB:Long Cable Type(230mm)	

* Each of the above products is also available in manual type.



Free Manuals Download Website

<http://myh66.com>

<http://usermanuals.us>

<http://www.somanuals.com>

<http://www.4manuals.cc>

<http://www.manual-lib.com>

<http://www.404manual.com>

<http://www.luxmanual.com>

<http://aubethermostatmanual.com>

Golf course search by state

<http://golfingnear.com>

Email search by domain

<http://emailbydomain.com>

Auto manuals search

<http://auto.somanuals.com>

TV manuals search

<http://tv.somanuals.com>