

**PrintPartner 16DV/16ADV**  
**PAGE PRINTER**  
**PARTS CATALOGUE**

**FUJITSU LIMITED**  
**Communications and Electronics**  
**Tokyo, Japan**



This document is used for maintenance purpose only.  
The illustration of the part does not guarantee its availability.



<b>REVISION RECORD</b>		
<b>Edition</b>	<b>Date published</b>	<b>Revised contents</b>
01	April 1998	First issue
Specification No. C145-G022-01EN		

The contents of this manual may be revised without prior notice.

All Right Reserved, Copyright © 1998 FUJITSU LIMITED. Printed In Japan.  
 No part of this manual may be reproduced In any form without permission.

Address your comments and inquiries on this manual to:

**FUJITSU COMPUTER PRODUCTS OF AMERICA, INC.**  
2904 Orchard Parkway, San Jose  
CA 95134-2022, U.S.A.  
TEL:(1-408)432-6333  
FAX:(1-408)894-1709

**FUJITSU CANADA INC.**  
2800 Matheson Boulevard East  
Mississauga, Ontario L4W 4X5,CANADA  
TEL:(1-905)602-5454  
FAX:(1-905)602-5457

**FUJITSU AUSTRALIA LIMITED**  
475 Victoria Avenue, Chatswood  
N.S.W., 2067, AUSTRALIA  
TEL:(61-2)410-4555  
FAX:(61-2)411-8603

**FUJITSU DEUTSCHLAND AND GmbH**  
Frankfurter Ring 211  
80807, München, F.R. GERMANY  
TEL:(49-89)32378-0  
FAX:(49-89)32378-100

**FUJITSU ESPAÑA, S.A.**  
Almagro 40, 28009 Madrid, SPAIN  
TEL:(34-1)581-8400  
FAX:(34-1)581-8125

**FUJITSU EUROPE LTD.**  
2 Longwalk Road, Stockly Park, Uxbridge  
Middlesex UB11 1AB, ENGLAND  
TEL:(44-81)573-4444  
FAX:(44-81)573-2643

**FUJITSU FRANCE S.A.**  
1, place des Etats-Unis Silic 310  
94588 RUNGIS Cedex, FRANCE  
TEL:(33-1)41-80-38-80  
FAX:(33-1)41-80-38-66

**FUJITSU HONG KONG LIMITED**  
Room 2521, Sun Hung Kai Centre  
30 Harbour Road, HONG KONG  
TEL:(852)827-5780  
FAX:(852)827-4724

**FUJITSU ICIM LTD.**  
Nagar Road, Pune 411 014, INDIA  
TEL:(91-212)681-528  
FAX:(91-212)680-238

**FUJITSU ITALIA S.p.A.**  
Via Nazario Sauro, 38  
20099 Sesto S, Giovanni(MI), ITALY  
TEL:(39-2)26294-1  
FAX:(39-2)26294-201

**FUJITSU KOREA LTD.**  
9th Floor, Korean Reinsurance Bldg.  
80, Susong-Dong, Chongro-Gu  
Seoul Special City, Republic of KOREA  
TEL:(82-2)739-3281  
FAX:(82-2)739-3294

**FUJITSU NORDIC AB**  
Kung Hans Väg 12  
S-191 76 Sollentuna, SWEDEN  
TEL:(46-8)626-6000  
FAX:(46-8)626-6711

**FUJITSU (SINGAPORE)PTE. LTD.**  
75 Science Park Drive  
#02-06 CINTECH II, SINGAPORE 0511  
TEL:(65)777-6577  
FAX:(65)777-8794

**FUJITSU SYSTEMS BUSINESS (MALAYSIA)SDN. BHD.**  
Fujitsu Plaza, 1A, Jalan Tandang 204  
P.O. Box 636 Pejabat Pos Jalan Sultan  
46770 Petaling Jaya  
Selangor Darul Ehsan, MALAYSIA  
TEL:(60-3)793-3888  
FAX:(60-3)793-0888

**FUJITSU SYSTEMS BUSINESS (THAILAND)LTD.**  
12th Floor, Olympia Thai Tower  
444 Rachadapisek Road, Samsennok  
Huaykwang, Bangkok 10310, THAILAND  
TEL:(662)512-6066  
FAX:(662)512-6068

**FUJITSU TAIWAN LTD.**  
8th FL., NO.170, Hung Tai Center  
Tun Hwa N.RD., Taipei, TAIWAN, R.O.C.  
TEL:(886-2)545-7700  
FAX:(886-2)717-4644

**FUJITSU LIMITED**  
Computer Products Business Group  
Kamikodanaka 4-1-1, Nakahara-ku  
Kawasaki-shi 211, JAPAN  
TEL:(81-44)754-8633  
FAX:(81-44)754-8510

This is parts catalogue for PrintPartner 16DV/16ADV Page Printer.

This manual is for service engineers.

There are several models of PrintPartner 16DV/16ADV Page Printer.

This manual covers all models.

This manual consists of two parts: Parts List and Parts Drawings.

Parts Lists has layer structure. You can find assembly levels.

Parts Drawings does not have the layer structure.

You can see the model difference from the parts list easily.

There are other manuals for service engineers as follows.

PrintPartner 16DV/16ADV Page Printer Maintenance Manual

PrintPartner 16DV/16ADV Page Printer Schematic Diagrams

PrintPartner 16DV/16ADV Page Printer User's Manual

PrintPartner 16DV/16ADV Page Printer Product Description





# CONTENTS

<b>1. HOW TO REFER TO THIS MANUAL .....</b>	<b>1 -1</b>
<b>2. SPECIFICATIONS .....</b>	<b>2 -1</b>
<b>3. PARTS LIST AND PARTS DRAWINGS OF PRINTER MECHANISM .....</b>	<b>3 -1</b>
3. 1 Visual Index of Parts .....	3 -1
3. 2 Upper Cover-1 .....	3 -2
Upper Cover-2 .....	3 -4
3. 3 Printer .....	3 -6
3. 4 Printer Mech. Unit 1 .....	3 -8
3. 5 Printer Mech. Unit 2-1 .....	3 -10
Printer Mech. Unit 2-2 .....	3 -12
3. 6 Base Frame .....	3 -14
3. 7 Laser Diode Stay .....	3 -16
3. 8 Power Unit .....	3 -18
3. 9 Heat Roller Unit .....	3 -20
3.10 Paper Tray .....	3 -22
3.11 Print Unit .....	3 -24
3.12 Cleaner .....	3 -26



# 1. HOW TO REFER TO THIS MANUAL

Example:

Index No.	Composition & Quantity				S P	Specification	Parts name (Description)	Remarks
1~42	1					CA04040-G102	BASE FRAME ASY	
1~24		1				CA04040-G103	BASE FRAME S ASY	
(1) 1			1			CA04040-G104	FRAME ASY	
2~6				1		CA04040-G260	M BRACKET ASY	
2				1	@	CA04040-G261	M BRACKET S ASY	
(3) 3				1	*	CA04040-0260	STEPPING MOTOR	
4				2	@	F6-SW2N3-06111	SCREW	
5				1	@	CA04040-Y263	GEAR V	
6				1	@	CA04040-Y265	GEAR W	
7		2			@	F6-SW2N3-06111	SCREW	
8		1			@	CA04040-Y267	GEAR X	
9		1			@	CA04040-Y269	GEAR Y	
10		1			@	CA04040-Y145	SENSOR LEVER (6)	
11~13		1				CA04040-G275	SIDE GUIDE L ASY	
11				1		CA04040-Y276	SIDE GUIDE L	
12				1		CA04040-Y277	RACK L	
13				1	@	F6-SN2TP3-05	TAPPING SCREW	
14~17		1				CA04040-G278	SIDE GUIDE R ASY	

(2)

(1) This figure shows the index number of the part in the drawing .

(2) These columns show the construction levels. A higher level part consists of the following lower level parts listed until the quantity of the next part appears at the same level. See example e .

(3) m-n shows an assembly or unit consisting of more than one part.

(4) These parts are at the same level and belong to the same upper level part.

(5) Parts with an asterisk(\*) are recommended spare parts.

(6) The Sensor Lever is the part name of the item number 10.

(7) Parts with an at (@) can be bought.

Parts with no marks cannot be bought.

\* The Stepping Motor is a recommended spare part.

## 2. SPECIFICATIONS

The tables below list standard models of the PrintPartner 16DV and 16ADV printers.

### PrintPartner 16DV

No.	Specifications	Model No.	Logo	AC	Remarks
1	CA04291-B100	M33101AS02	PrintPartner 16DV	120V	120V standard, Letter
2	CA04291-B111	M33101AS02	PrintPartner 16DV	↑	For FCI, CSA mark, Letter
3	CA04291-B121	M33101AS02	PrintPartner 16DV	↑	For FCPA, UL mark, Letter
4	CA04291-B131	M33101AS02	PrintPartner 16DV	↑	For Asia, A4
5	CA04291-B150	M33101BS02	PrintPartner 16DV	220V	220V~240V standard, A4
6	CA04291-B161	M33101BS02	PrintPartner 16DV	↑	For FAL, A4
7	CA04291-B171	M33101BS02	PrintPartner 16DV	↑	For Asia, A4
8	CA04291-B172	M33101BS02	PrintPartner 16DV	230V	For China, A4
9	CA04291-B173	M33101BS02	PrintPartner 16DV	220V	For FKL, A4
10	CA04291-B181	M33101BS02	PrintPartner 16DV	↑	For European Continent (*), A4
11	CA04291-B191	M33101BS02	PrintPartner 16DV	↑	For Europe (no brand), A4
12	CA04291-B196	M33101BS02	PrintPartner 16DV	↑	For Europe (drop-ship), A4
13					

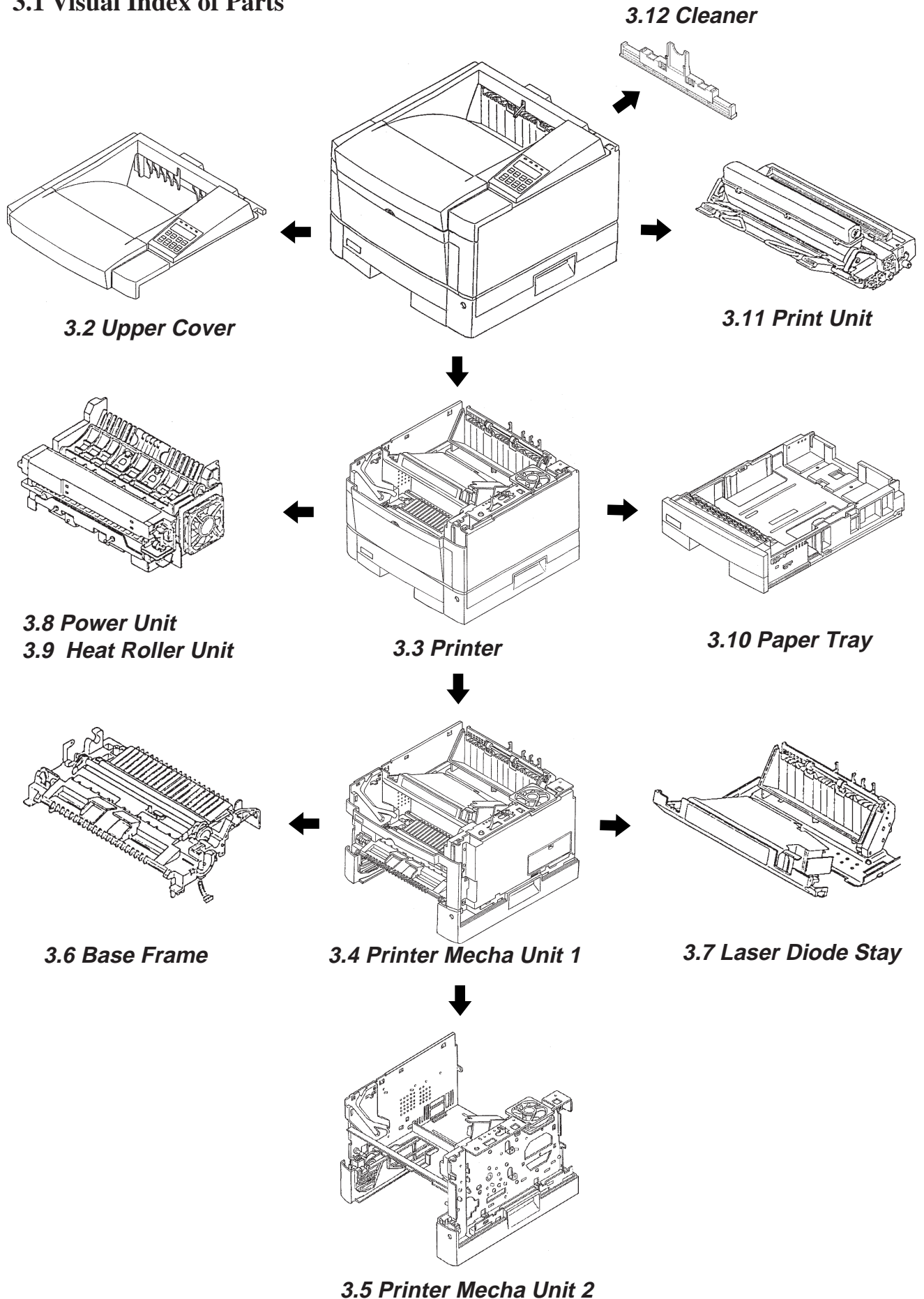
### PrintPartner 16ADV

No.	Specifications	Model No.	Logo	AC	Remarks
1	CA04291-B200	M33101AS01	PrintPartner 16ADV	120V	120V standard, Letter
2	CA04291-B211	M33101AS01	PrintPartner 16ADV	↑	For FCI, CSA mark, Letter
3	CA04291-B221	M33101AS01	PrintPartner 16ADV	↑	For FCPA, UL mark, Letter
4	CA04291-B231	M33101AS01	PrintPartner 16ADV	↑	For Asia, A4
5	CA04291-B250	M33101BS01	PrintPartner 16ADV	220V	220V~240V standard, A4
6	CA04291-B261	M33101BS01	PrintPartner 16ADV	↑	For FAL, A4
7	CA04291-B271	M33101BS01	PrintPartner 16ADV	↑	For Asia, A4
8	CA04291-B272	M33101BS01	PrintPartner 16ADV	230V	For China, A4
9	CA04291-B273	M33101BS01	PrintPartner 16ADV	220V	For FKL, A4
10	CA04291-B281	M33101BS01	PrintPartner 16ADV	↑	For European Continent (*), A4
11	CA04291-B291	M33101BS01	PrintPartner 16ADV	↑	For Europe (no brand), A4
12	CA04291-B296	M33101BS01	PrintPartner 16ADV	↑	For Europe (drop-ship), A4
13					

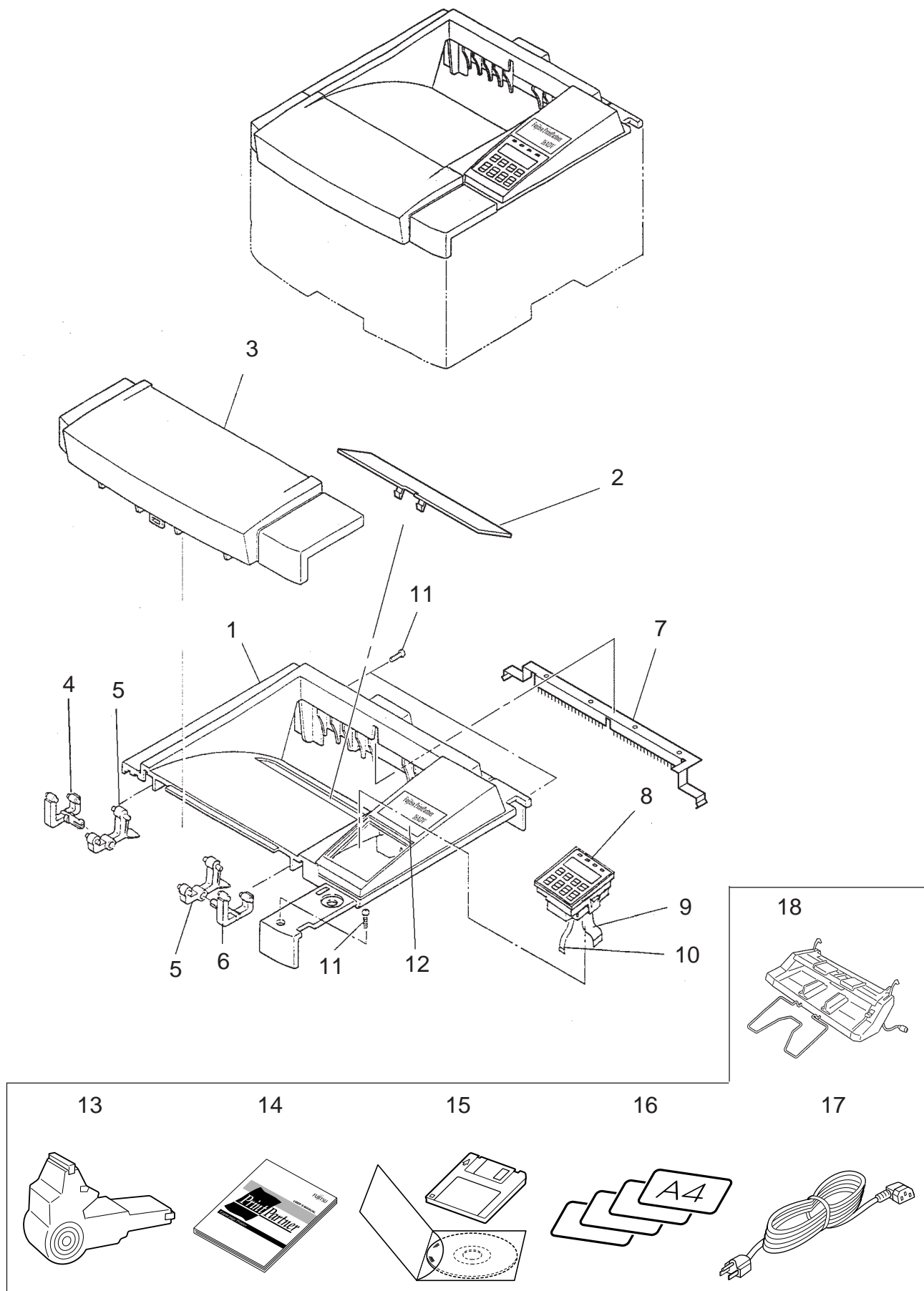
\* User's manual and power cord are specified as the local kit.

# 3. PARTS LIST AND PARTS DRAWING OF PRINTER MECHANISM

## 3.1 Visual Index of Parts



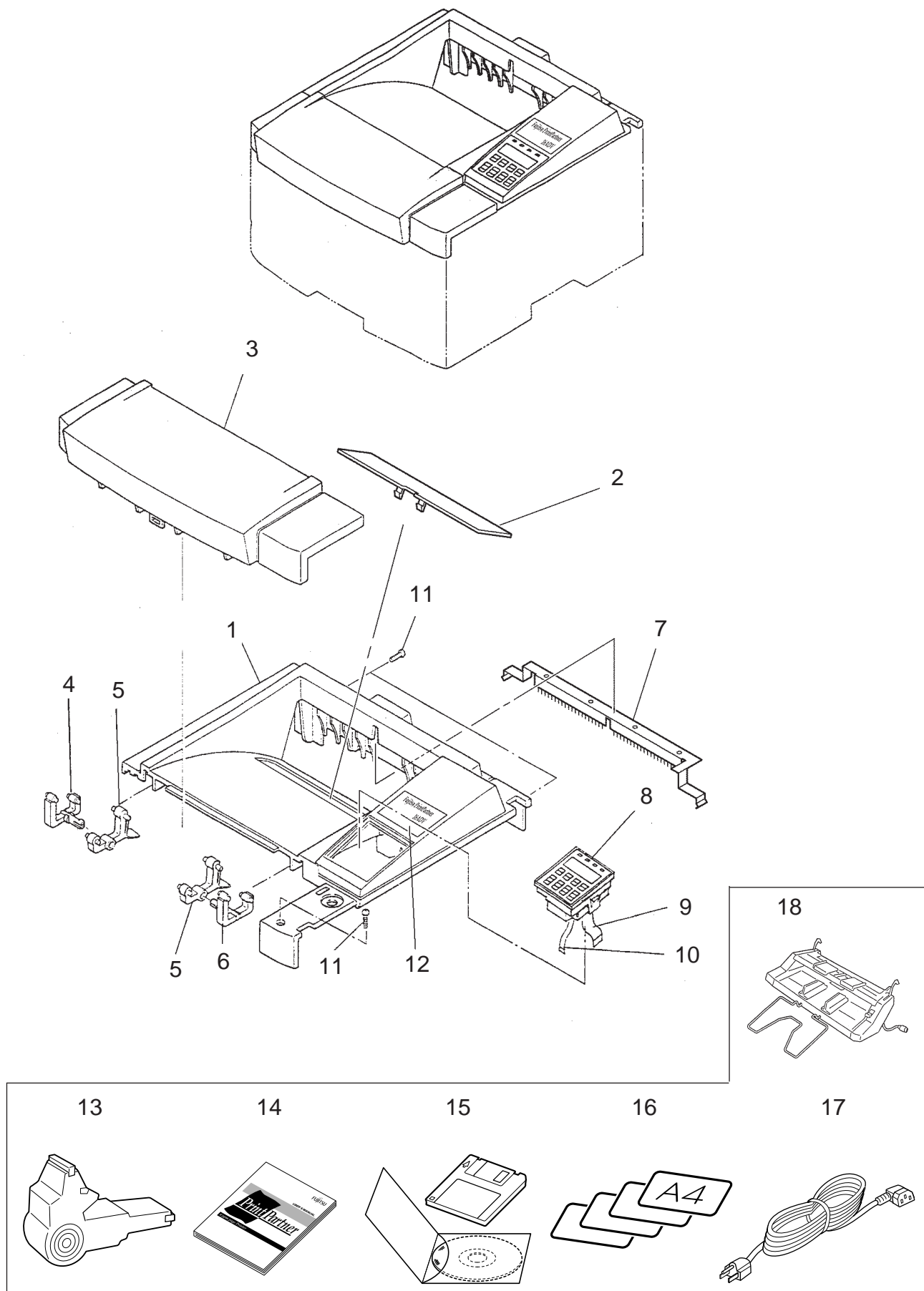
## 3.2 Upper Cover-1



### 3.2 Upper Cover-1

Index No.	Composition & Quantity				S P	Specification	Parts name (Description)	AC(V)		Remarks
								120	220 ~240	
						CA04291-B100	PP16DV(120V)	√		120V standard
						CA04291-B111	PP16DV(120V)	√		For FCI
						CA04291-B121	PP16DV(120V)	√		For FCPA
						CA04291-B131	PP16DV(120V)	√		For Asia
						CA04291-B150	PP16DV(220-240V)		√	220~240V standard
						CA04291-B161	PP16DV(220-240V)		√	For FAL
						CA04291-B171	PP16DV(220-240V)		√	For Asia
						CA04291-B172	PP16DV(220-240V)		√	For China
						CA04291-B173	PP16DV(220-240V)		√	For FKL
						CA04291-B181	PP16DV(220-240V)		√	For Europe (Country kit)
						CA04291-B191	PP16DV(220-240V)		√	For Europe (No brand)
						CA04291-B196	PP16DV(220-240V)		√	For Europe (Drop ship)
						CA04291-B200	PP16ADV(120V)	√		120V standard
						CA04291-B211	PP16ADV(120V)	√		For FCI
						CA04291-B221	PP16ADV(120V)	√		For FCPA
						CA04291-B231	PP16ADV(120V)	√		For Asia
						CA04291-B250	PP16ADV(220-240V)		√	220~240V standard
						CA04291-B261	PP16ADV(220-240V)		√	For FAL
						CA04291-B271	PP16ADV(220-240V)		√	For Asia
						CA04291-B272	PP16ADV(220-240V)		√	For China
						CA04291-B273	PP16ADV(220-240V)		√	For FKL
						CA04291-B281	PP16ADV(220-240V)		√	For Europe (Country kit)
						CA04291-B291	PP16ADV(220-240V)		√	For Europe (No brand)
						CA04291-B296	PP16ADV(220-240V)		√	For Europe (Drop ship)
1~10	1					CA04291-F552	UPPER COVER ASY	√	√	
1~ 7		1			*	CA04291-G551	U COVER SUB ASY	√	√	
1			1		@	CA04040-Y550	UPPER COVER	√	√	
2			1		@	CA04040-G562	SHADE COVER ASY	√	√	
3			1		@	CA02758-G803	UPPER DOOR ASY	√	√	
4			1		@	CA02758-Y805	UD GUIDE L	√	√	
5			2		@	CA02758-Y806	UD GUIDE R	√	√	
6			1		@	CA02758-Y807	UD GUIDE LL	√	√	
7			1		@	CA04040-G539	DCH FRAME ASY	√	√	
8		1			*	CA04040-O574	OP PANEL	√	√	
9		1			@	CA04040-Y564	OP CABLE	√	√	
10		1			@	CA04040-Y573	VOLUME CABLE	√	√	
11		3			@	F6-SBD3-06121	BINDING HEAD SCREW	√	√	
12	1				@	CA04291-Y853	LOGO LABEL (16DV)	√	√	
	1				@	CA04291-Y854	LOGO LABEL (16ADV)	√	√	

## 3.2 Upper Cover-2

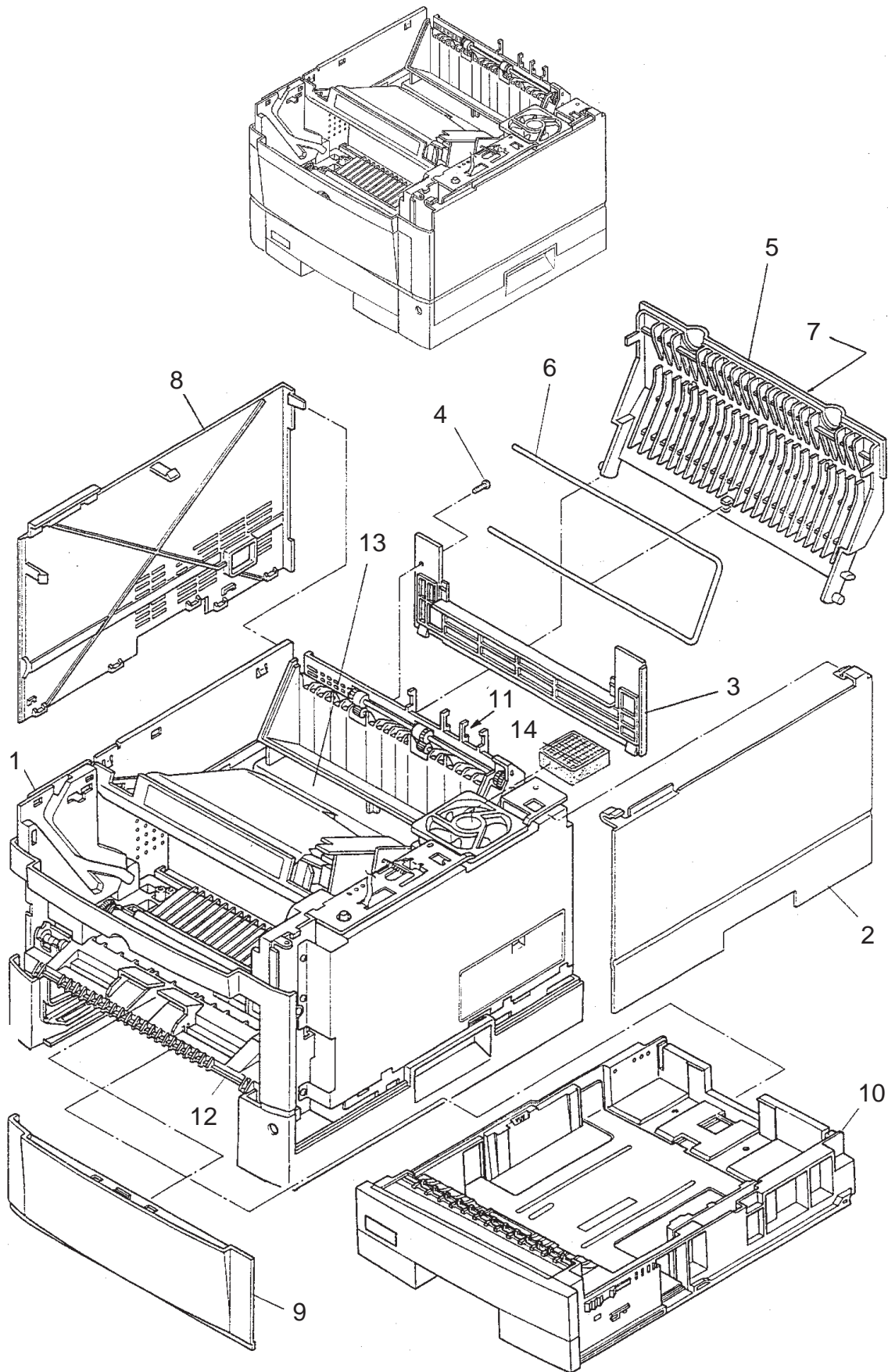




### 3.2 Upper Cover-2

Index No.	Composition & Quantity				S P	Specification	Parts name (Description)	AC(V)		Remarks
								120	220 ~240	
	1					CA04291-K100	ACCESSORIES (16DV)	√		120V standard
	1					CA04291-K111	ACCESSORIES (16DV)	√		For FCI
	1					CA04291-K121	ACCESSORIES (16DV)	√		For FCPA
	1					CA04291-K131	ACCESSORIES (16DV)	√		For Asia
	1					CA04291-K150	ACCESSORIES (16DV)		√	220-240V standard
	1					CA04291-K161	ACCESSORIES (16DV)		√	For FAL
	1					CA04291-K171	ACCESSORIES (16DV)		√	For Asia
	1					CA04291-K172	ACCESSORIES (16DV)		√	For China
	1					CA04291-K173	ACCESSORIES (16DV)		√	For FKL
	1					CA04291-K181	ACCESSORIES (16DV)		√	For Europe (Country kit)
	1					CA04291-K191	ACCESSORIES (16DV)		√	For Europe (No brand)
	1					CA04291-K196	ACCESSORIES (16DV)		√	For Europe (Drop ship)
	1					CA04291-K200	ACCESSORIES (16ADV)	√		120V standard
	1					CA04291-K211	ACCESSORIES (16ADV)	√		For FCI
	1					CA04291-K221	ACCESSORIES (16ADV)	√		For FCPA
	1					CA04291-K231	ACCESSORIES (16ADV)	√		For Asia
	1					CA04291-K250	ACCESSORIES (16ADV)		√	220-240V standard
	1					CA04291-K261	ACCESSORIES (16ADV)		√	For FAL
	1					CA04291-K271	ACCESSORIES (16ADV)		√	For Asia
	1					CA04291-K272	ACCESSORIES (16ADV)		√	For China
	1					CA04291-K273	ACCESSORIES (16ADV)		√	For FKL
	1					CA04291-K281	ACCESSORIES (16ADV)		√	For Europe (Country kit)
	1					CA04291-K291	ACCESSORIES (16ADV)		√	For Europe (No brand)
	1					CA04291-K296	ACCESSORIES (16ADV)		√	For Europe (Drop ship)
13	1			@		CA02758-G461	CL BRUSH ASY	√	√	
14	1					C145-E227-EN	USER'S MANUAL	√	√	
15	1			@		CA40782-E910	SOFTWARE SET	√	√	
16	1			@		CA02417-Y720	SIZE LABEL	√	√	A4
	1			@		CA02417-Y724	SIZE LABEL	√	√	LETTER
	1			@		CA02417-Y725	SIZE LABEL	√	√	EXECUTIVE
17	1			@		CA02758-0992	AC CORD SET	√		100-120V
	1			@		CA02758-0993	AC CORD SET		√	220-240V(EU)
	1			@		CA02758-0995	AC CORD SET		√	220-240V
	1			@		CA02758-0998	AC CORD SET		√	220-240V(UK)
18	1					CA02758-0880	MFF	√	√	For 16ADV only

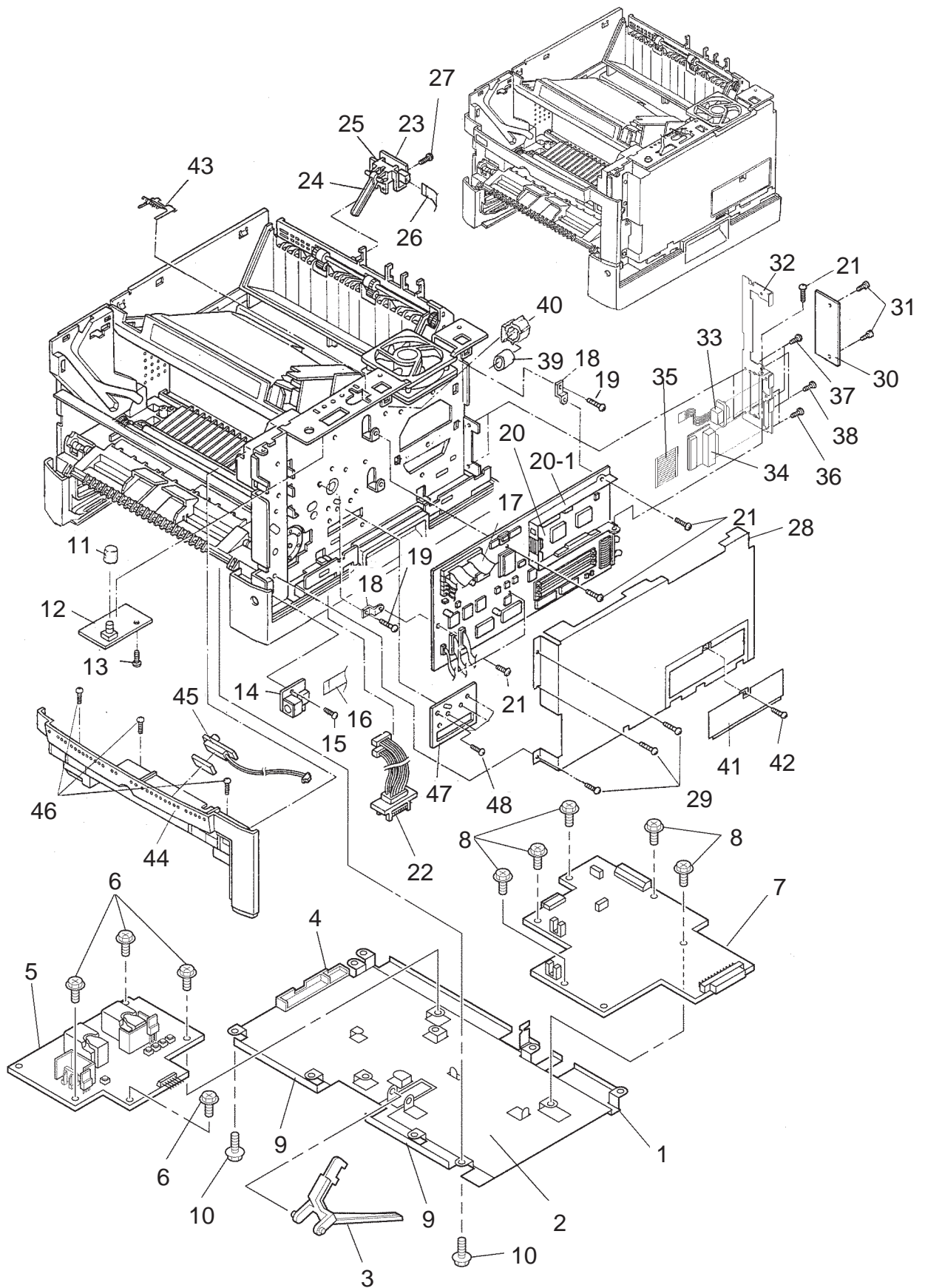
### 3.3 Printer



### 3.3 Printer

Index No.	Composition & Quantity				S P	Specification	Parts name (Description)	AC(V)		Remarks
								120	220 ~240	
1~13	1					CA04291-C100	PRINTER (16DV)	√		120V, LETTER 120V, A4 220-240V, A4
	1					CA04291-C131	PRINTER (16DV)	√		
	1					CA04291-C150	PRINTER (16DV)		√	
	1					CA04291-C200	PRINTER (16ADV)	√		
	1					CA04291-C231	PRINTER (16ADV)	√		
	1					CA04291-C250	PRINTER (16ADV)		√	
1	1					CA04291-E100	MECH. UNIT	√	√	
2	1				@	CA02758-Y812	SIDE COVER R	√	√	
3	1				@	CA02758-Y814	BACK COVER	√	√	
4	1				@	F6-SBD3-06121	BINDING HEAD SCREW	√	√	
5~6	1					CA02758-G815	STACKER ASY	√	√	
5		1			@	CA02758-Y815	STACKER	√	√	
6			1		@	CA02758-Y816	REAR GUIDE	√	√	
7	1				@	CA02758-Y818	S-LABEL	√	√	
8	1				@	CA02758-G811	SIDE COVER L	√	√	
9	1				@	CA02758-Y813	FRONT COVER	√	√	
10	1					CA04291-F701	PAPER TRAY	√	√	A4 LETTER
	1					CA04291-F702	PAPER TRAY	√	√	
11	1					CA04291-F544	POWER UNIT	√		100-120V 220-240V
	1					CA04291-F545	POWER UNIT		√	
12	1					CA04291-F470	BASE FRAME ASY	√	√	
13	1					CA04291-G525	LD STAY ASY	√	√	
		7				CA02758-0195	TAPPING SCREW	√	√	
14	1				@	CA02946-0180	OZONE FILTER	√	√	

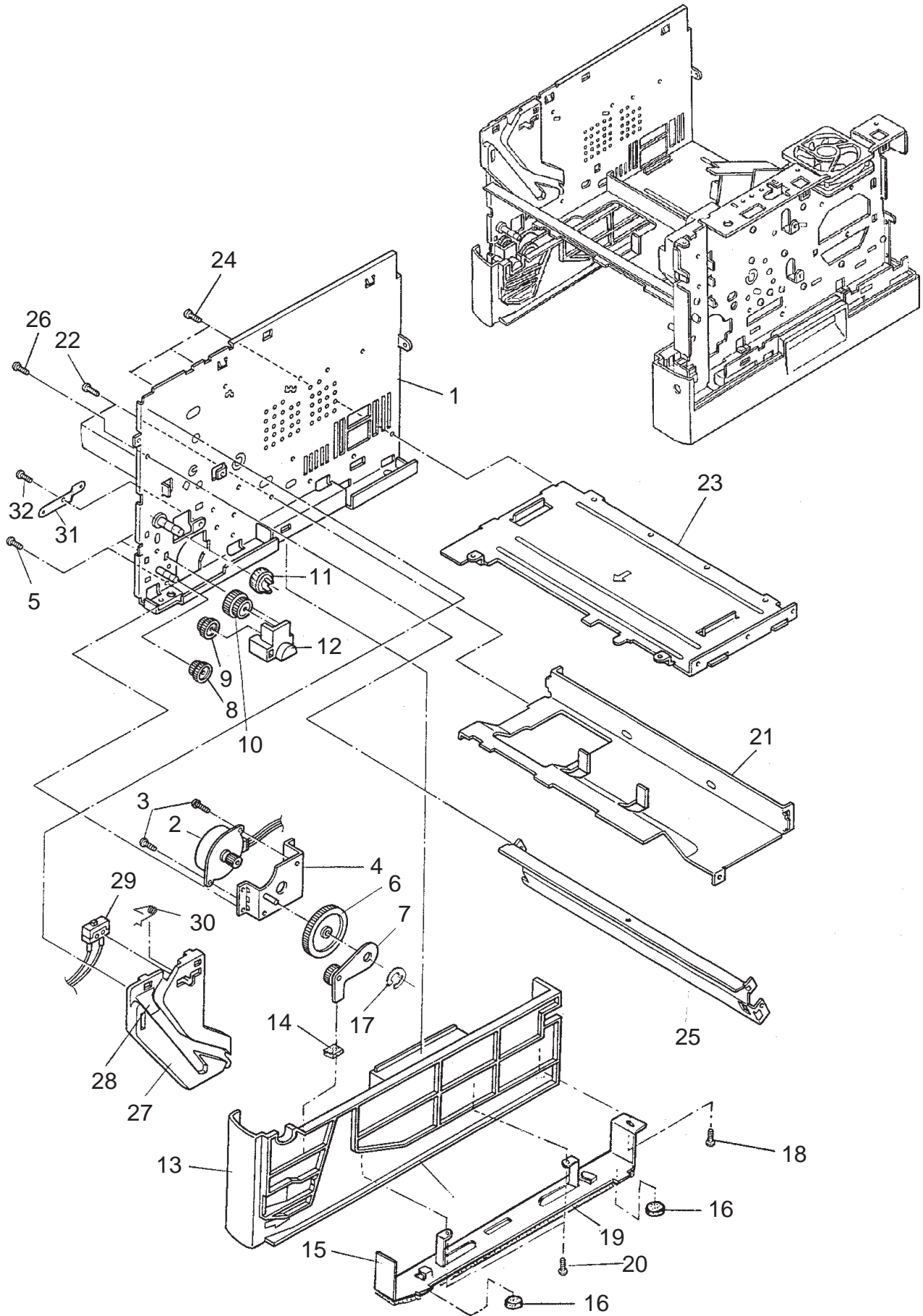
### 3.4 Printer Mecha Unit 1



### 3.4 Printer Mecha Unit 1

Index No.	Composition & Quantity			S P	Specification	Parts name (Description)	AC(V)		Remarks
							120	220 ~240	
1~9	1				CA04040-G149	HV UNIT	√	√	For 16DV For 16ADV
1		1		@	CA02758-G150	BOARD COVER ASY	√	√	
2		1		@	CA02758-Z149	SHEET	√	√	
3		1		@	CA02758-Z651	PE LEVER	√	√	
4		1		@	CA02758-Z144	HV GUIDE	√	√	
5		1		*	CA02951-4293	HV BOARD	√	√	
6		4		@	CA02758-0195	TAPPING SCREW	√	√	
7		1		*	CA04040-G595	MECH BOARD	√	√	
8		5		@	CA02758-0195	TAPPING SCREW	√	√	
9		2		@	CA04040-Y598	SHEET P1	√	√	
10	4			@	F6-SW2N3-08111	SCREW	√	√	
11	1			@	D860-1173-X826	KNOB	√	√	
12	1			*	CA04040-G572	VOLUME BOARD	√	√	
13	2			@	CA02758-0195	TAPPING SCREW	√	√	
14	1			*	CA02758-G171	MFF BOARD	√	√	
15	1			@	F6-SBD3-06121	SCREW	√	√	
16	1			@	CA04040-Y568	MFF CABLE	√	√	
17	1			@	CA02758-Y122	LD CABLE	√	√	
18	3			@	CA04040-Y556	METAL FITTING	√	√	
19	3			@	F6-SW2N3-06121	SCREW	√	√	
20	1			*	CA04291-J100	ROM BOARD	√	√	
	1			*	CA04291-J200	ROM BOARD	√	√	
20-1	1			@	CA02946-G152	GUIDE PLATE ASY	√	√	
21	5			@	F6-SW2N3-08121	SCREW	√	√	
22	1			@	CA04040-F569	CABLE ASY	√	√	
23~25	1			*	CA02758-F695	SF SENSOR ASY	√	√	
23		1			CA02758-G696	SFS BOARD	√	√	
24		1			CA02758-Y696	SFS LEVER	√	√	
25		1			CA02758-Y697	SFS COVER	√	√	
26	1			@	CA02758-Y698	SFS CABLE	√	√	
27	1			@	F6-SN2TP3-06	TAPPING SCREW	√	√	
28	1			@	CA04040-G613	SHIELD ASY	√	√	
29	3			@	F6-SW2N3-08121	SCREW	√	√	
30	1			@	CA04040-Y552	SHADE PLATE B	√	√	
31	2			@	F6-SBD3-06121	SCREW	√	√	
32~36	1			@	CA04040-G616	BACK COVER ASY	√	√	
32		1			CA04040-Y616	BACK COVER	√	√	
33		1		@	CA98001-8949	CONNECTOR ASY	√	√	
34		1		@	CA04040-G549	DA97AA	√	√	
35		1		@	CA98001-8955	FFC	√	√	
36		2		@	F6-SBD2R5-06121	SCREW	√	√	
37	2			@	F6-SBD3-06121	SCREW	√	√	
38	2			@	F6-SW2N3-06121	SCREW	√	√	
39	1			@	CT-F3RH11.8-15-7.3	FELIGHT CORE	√	√	
40	1			@	CA98001-6702	CABLE CLUMP	√	√	
41	1			@	CA04040-Y615	SIMM COVER	√	√	
42	1			@	F6-SW2N3-06121	SCREW	√	√	
43	1			@	CA04040-Y580	FG SPRING PLATE	√	√	
44~45	1			@	CA02758-G817	FRONT FRAME ASY	√	√	
44		1			CA02758-Y817	FRONT FRAME	√	√	
45		1		@	CA02758-G360	TS ASY	√	√	
46	3			@	F6-SN2TP3-06	TAPPING SCREW	√	√	
47		1			CA02758-Y024	RF PLATE	√	√	
48		1			CA02758-0196	TAPPING SCREW	√	√	

### 3.5 Printer Mecha Unit 2-1

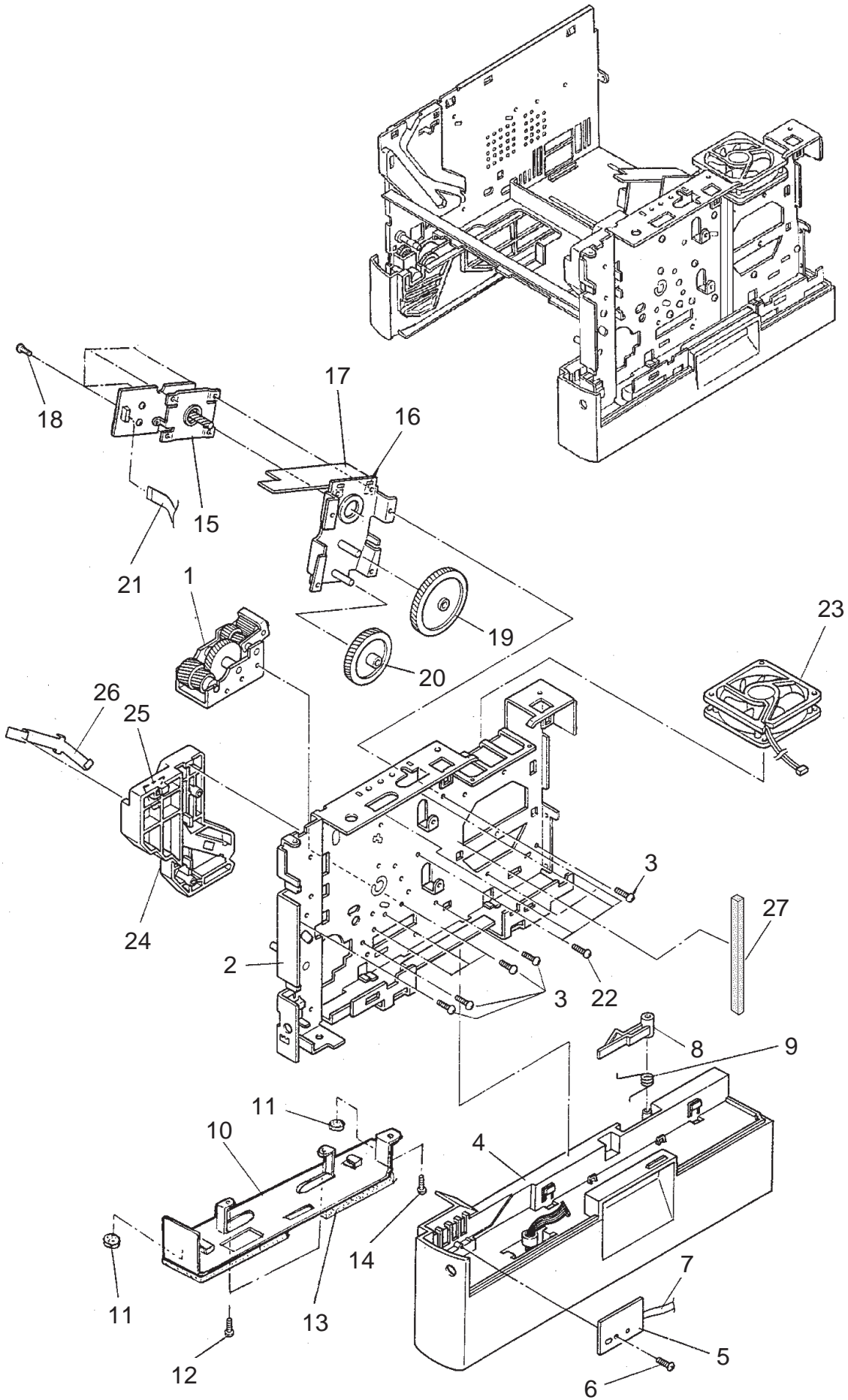




### 3.5 Printer Mecha Unit 2-1

Index No.	Composition & Quantity				S P	Specification	Parts name (Description)	AC(V)		Remarks
								120	220 ~240	
1~20 1	1	1				CA04291-F113 CA02758-G111	FRAME L ASY FRAME L SUB ASY	√ √	√ √	
2~4 2	1		1		*	CA04291-F201 CA02758-0201	P MOTOR ASY PICK MOTOR	√ √	√ √	
3			2		@	F6-SW2N3-08111	SCREW	√	√	
4			1			CA02758-G202	PM BRACKET ASY	√	√	
5	3					CA02758-0198	TAPPING SCREW	√	√	
6	1				@	CA02758-Y204	GEAR P	√	√	
7	1				@	CA02758-G211	MFF GEAR A ASY	√	√	
8	1					CA02758-Y212	MFF GEAR B	√	√	
9	1					CA02758-Y213	MFF GEAR C	√	√	
10	1					CA02758-Y214	MFF GEAR D	√	√	
11	1					CA02758-Y215	MFF GEAR E	√	√	
12	1					CA02758-Y209	MFF GEAR BRACKET	√	√	
13~19 13	1		1		@	CA02758-G846 CA02758-Y846	COVER L ASY LOWER COVER L	√ √	√ √	
14			1			CA02758-Z216	MFF RUBBER	√	√	
15~16 15			1			CA02758-G848	PLATE L ASY	√	√	
16				1	2	CA02758-Y848	LOWER PLATE L	√	√	
17						CA04040-Y825	RUBBER FOOT	√	√	
18			1			F6-ER4-S	SNAP RING	√	√	
19			1			F6-SN2TP3-08	TAPPING SCREW	√	√	
20	2				@	CA02758-Z821	PTGL DUMPER	√	√	
21	2				@	CA02758-0196	TAPPING SCREW	√	√	
22	1					CA02758-Y105	L TYPE STAY	√	√	
23	3					F6-SBD3-06121	BINDING HEAD SCREW	√	√	
24	1					CA02758-Y106	LOWER STAY	√	√	
25	3					F6-SBD3-06121	BINDING HEAD SCREW	√	√	
26	1					CA02758-Y104	FRONT STAY	√	√	
27~29 27	2					CA02758-0195	TAPPING SCREW	√	√	
28	1		1			CA02758-G114	PR GUIDE L ASY	√	√	
29	1		1			CA02758-G113	PR GUIDE L	√	√	
30	1		1		*	CA02758-Z114	PRGL LABEL	√	√	
31	1					CA02758-G127	COVER OPEN SW	√	√	
32	1				@	CA02758-Y102	SUPPORT SPRING	√	√	
	1				@	CA02758-Y606	FG PLATE P	√	√	
	1				@	CA02758-0195	TAPPING SCREW	√	√	

### 3.5 Printer Mecha Unit 2-2

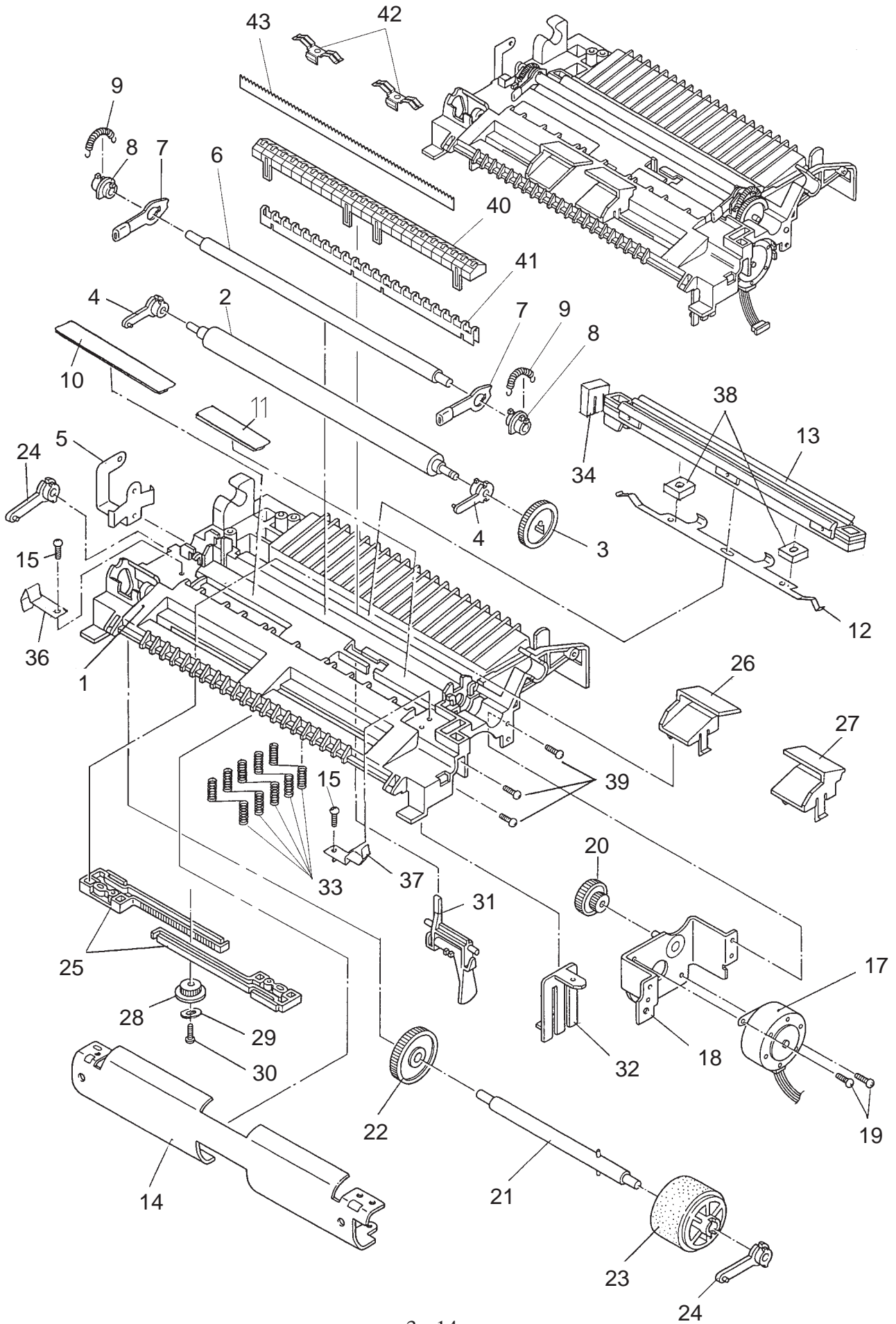




### 3.5 Printer Mecha Unit 2-2

Index No.	Composition & Quantity			S P	Specification	Parts name (Description)	AC(V)		Remarks
							120	220 ~240	
1	1				CA02758-G261	GEAR BOX ASY	√	√	
2	1				CA02758-G112	FRAME R SUB ASY	√	√	
3	8				CA02758-0195	TAPPING SCREW	√	√	
4~13	1			@	CA02758-G825	COVER R ASY	√	√	
4		1			CA02758-Y847	LOWER COVER R	√	√	
5		1		*	CA02758-G172	PSS BOARD	√	√	
6		1			F6-SN2TP3-08	TAPPING SCREW	√	√	
7		1			CA02758-Y164	PSS CABLE	√	√	
8		1			CA02758-Y727	PT LOCK LEVER	√	√	
9		1			CA02758-Y728	PT LOCK SPRING	√	√	
10~11		1			CA02758-G849	PLATE R ASY	√	√	
10			1		CA02758-Y849	LOWER PLATE R	√	√	
11			2		CA04040-Y825	RUBBER FOOT	√	√	
12		1			F6-SN2TP3-08	TAPPING SCREW	√	√	
13		1			CA02758-Z823	PTGR DUMPER	√	√	
14	2			@	CA02758-0196	TAPPING SCREW	√	√	
15~21	1				CA04040-F251	M MOTOR ASY	√	√	
15		1		*	CA04040-0251	MAIN MOTOR	√	√	
16		4			CA02758-Y291	DUMPER MM	√	√	
17		1		@	CA02758-G251	MM BRACKET ASY	√	√	
18		4			CA02758-0195	TAPPING SCREW	√	√	
19		1		@	CA02758-Y256	GEAR MA	√	√	
20		1		@	CA02758-Y257	GEAR MB	√	√	
21		1		@	CA02758-Y255	MM CABLE	√	√	
22	4			@	CA02758-0195	TAPPING SCREW	√	√	
23	1			*	CA04040-0129	FAN	√	√	
24~26	1				CA02758-G115	PR GUIDE R ASY	√	√	
24		1			CA02758-Y115	PR GUIDE R	√	√	
25		1			CA02758-Z115	PRGR LABEL	√	√	
26		1			CA02758-Y116	DRFG	√	√	
27	1				CA04040-G688	SPONGE ASY	√	√	

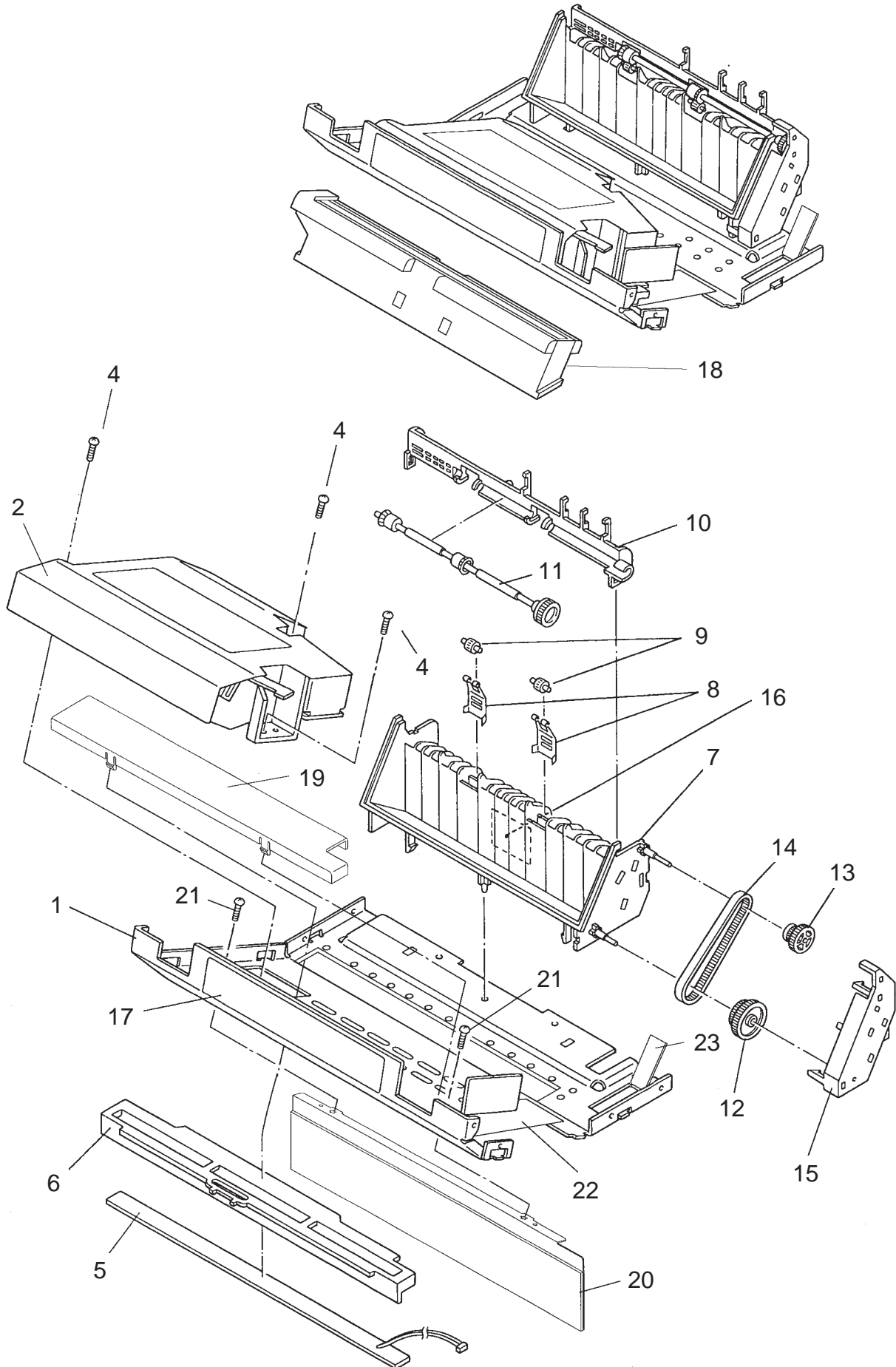
### 3.6 Base Frame



### 3.6 Base Frame

Index No.	Composition & Quantity				S P	Specification	Parts name (Description)	AC(V)		Remarks
								120	220 ~240	
1~37	1					CA04291-F470	BASE FRAME ASY	√	√	
1	1					CA04040-Y471	BASE FRAME	√	√	
2	1					CA02758-G611	FEED ROLLER ASY	√	√	
3	1				@	CA02758-Y613	GEAR F	√	√	
4	1				@	CA02758-Y605	BEARING PF	√	√	
5	1				@	CA02758-G615	FG PLATE ASY	√	√	
6	1				@	CA02758-Y621	RESIST ROLLER	√	√	
7	2				@	CA04040-G687	LEVER ASY	√	√	
8	2				@	CA02758-Y623	BEARING R	√	√	
9	2				@	CA02758-Y625	SPRING R	√	√	
10	1				@	CA02758-Z011	SHEET RE1	√	√	
11	1				@	CA02758-Z012	SHEET RE2	√	√	
12	1				@	CA02758-Y458	FG PLATE T	√	√	
13	1				*	CA04040-F455	TRCG UNIT	√	√	
14	1					CA04040-G690	PAPER GUIDE F ASY	√	√	
15	2				@	CA02758-0195	TAPPING SCREW	√	√	
16	2					CA02758-Z806	DUMPER F	√	√	
17~20	1					CA04291-F221	R MOTOR ASY	√	√	
17		1			*	CA04291-G201	REGIST MOTOR	√	√	
18		1				CA02758-G222	RM BRACKET ASY	√	√	
19		2			@	F6-SW2N3-08111	SCREW	√	√	
20		1				CA02758-Y224	GEAR R	√	√	
21	1				@	CA02758-G604	SHAFT P ASY	√	√	
22	1				@	CA02758-0603	PICK GEAR	√	√	
23	1				*	CA02758-G600	ROLLER P ASY	√	√	
24	2				@	CA02758-Y605	BEARING PF	√	√	
25	2				@	CA02758-Y642	RACK	√	√	
26	1				@	CA02758-Y643	GUIDE FL	√	√	
27	1				@	CA02758-Y644	GUIDE FR	√	√	
28	1				@	CA02758-Y641	PINION	√	√	
29	1				@	F6-WM3-111	WASHER	√	√	
30	1				@	F6-SN2TP3-06	TAPPING SCREW	√	√	
31	1				@	CA02758-Y654	SENSOR LEVER 4	√	√	
32	1				@	CA02758-Y729	TRIDENT LEVER	√	√	
33	1					CA02758-Y152	SPRING HV1	√	√	
	1					CA02758-Y153	SPRING HV2	√	√	
	1					CA02758-Y154	SPRING HV3	√	√	
	1					CA02758-Y155	SPRING HV4	√	√	
	1					CA04040-Y466	SPRING HV5	√	√	
34	2				@	CA02758-Y025	TRCG STOPPER	√	√	
35	1					CA02758-Z805	SOUND PROOF	√	√	
36	1					CA02758-Y193	P GUIDE FG L	√	√	
37	1					CA02758-Y194	P GUIDE FG R	√	√	
38	2				@	CA02758-Y477	TRCG STOPPER	√	√	
39	3				@	CA02758-0195	TAPPING SCREW	√	√	
40~41	1					CA04040-F460	DCH GUIDE ASY	√	√	
40		1				CA04040-Y461	DCH GUIDE	√	√	
41		1				CA04040-Y462	DCH PLATE A	√	√	
42	2					CA04040-Y469	DCH PLATE C	√	√	
43	1					CA04040-Y468	DCH PLATE B	√	√	
44	1					CA04040-G463	DCH FG PLATE ASY	√	√	under the frame

### 3.7 Laser Diode Stay



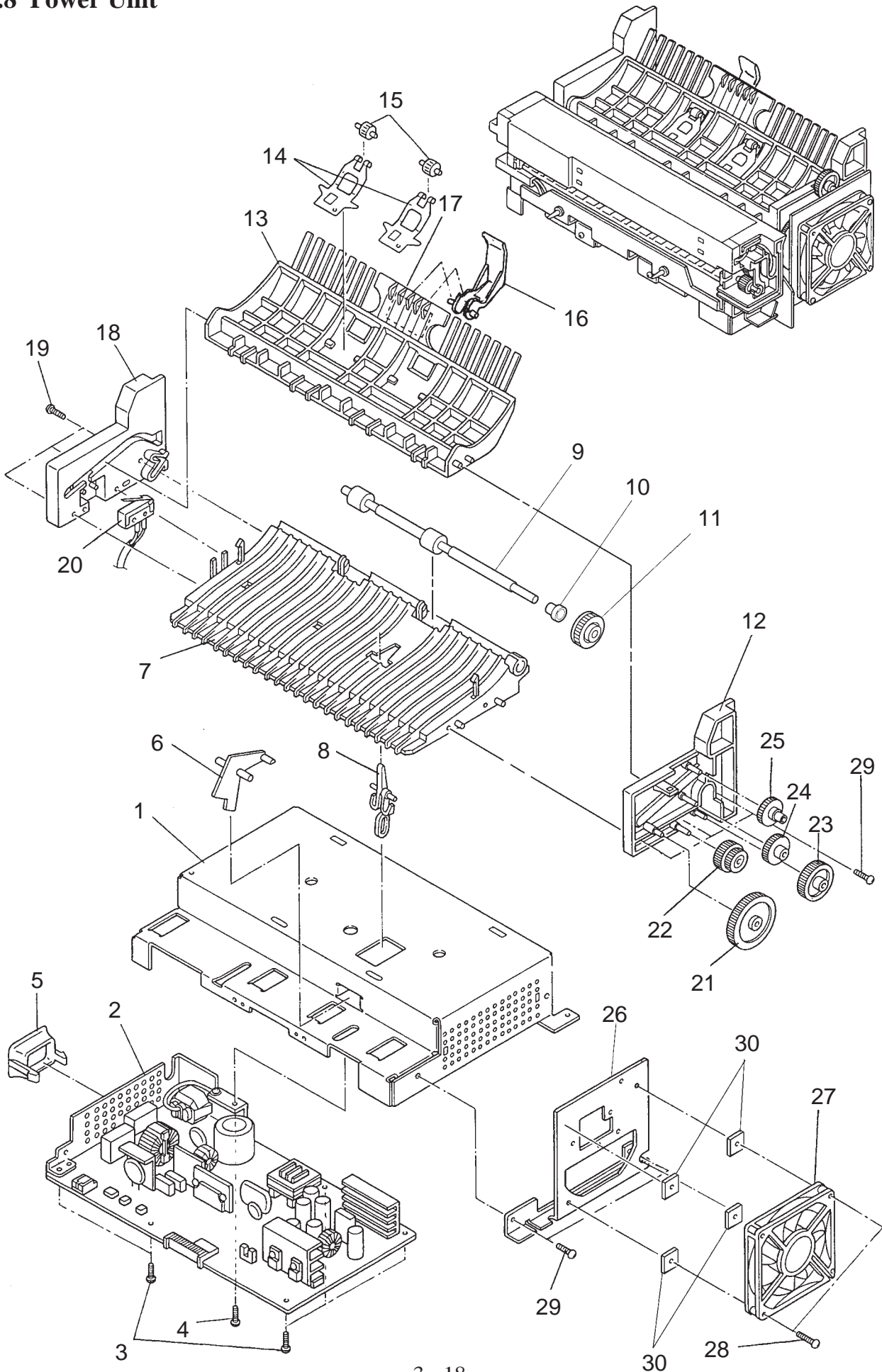
3 - 16

### 3.7 Laser Diode Stay

Index No.	Composition & Quantity				S P	Specification	Parts name (Description)	AC(V)		Remarks
								120	220 ~240	
1~18	1					CA04291-G525	LD STAY ASY	√	√	No.3 deleted
1	1					CA04040-Y540	LD STAY	√	√	
2	1			*		CA04280-E010	LD UNIT	√	√	
4	3			@	F6-SW2N3-08111	SCREW	√	√		
5~6	1			@	CA02758-G123	DCH LED UNIT	√	√		
5		1			CA02758-0123	DCH LED	√	√		
6		1			CA02758-Y124	LED HOLDER	√	√		
7~16	1			*	CA04291-F680	FRAME 2 ASY	√	√		
7		1			CA02758-Y680	PAPER FRAME 2	√	√		
8~9		2			CA02758-G682	FEED 2 ASY	√	√		
8			1		CA02758-Y682	FEED SPRING 2	√	√		
9			1		CA02758-Y673	PINCH ROLLER	√	√		
10~11		1			CA04291-F690	GUIDE ASY	√	√		
10			1	@	CA02758-Y690	ROLLER GUIDE	√	√		
11			1	@	CA04291-G692	ROLLER ASY	√	√		
12		1		@	CA02758-Y684	GEAR 6	√	√		
13		1		@	CA02758-G685	GEAR 7 ASY	√	√		
14		1		@	CA98001-5552	TIMING BELT	√	√		
15		1		@	CA02758-Y688	GEAR COVER	√	√		
16		1		@	CA02758-Y592	LABEL	√	√		
17	1			@	CA02758-Y591	LABEL	√	√		
18	1			@	CA04040-G154	CL GUIDE ASY	√	√		
19	1				CA04040-Y530	LS DUCT	√	√		
20	1				CA04040-G587	PARTITION ASY	√	√		
21	2				F6-SW2N3-08111	SCREW	√	√		
22	1				CA04040-Y531	F FILM	√	√		
23	1				CA04040-Y532	LS FILM	√	√		

CAUTION  
CAUTION

### 3.8 Power Unit

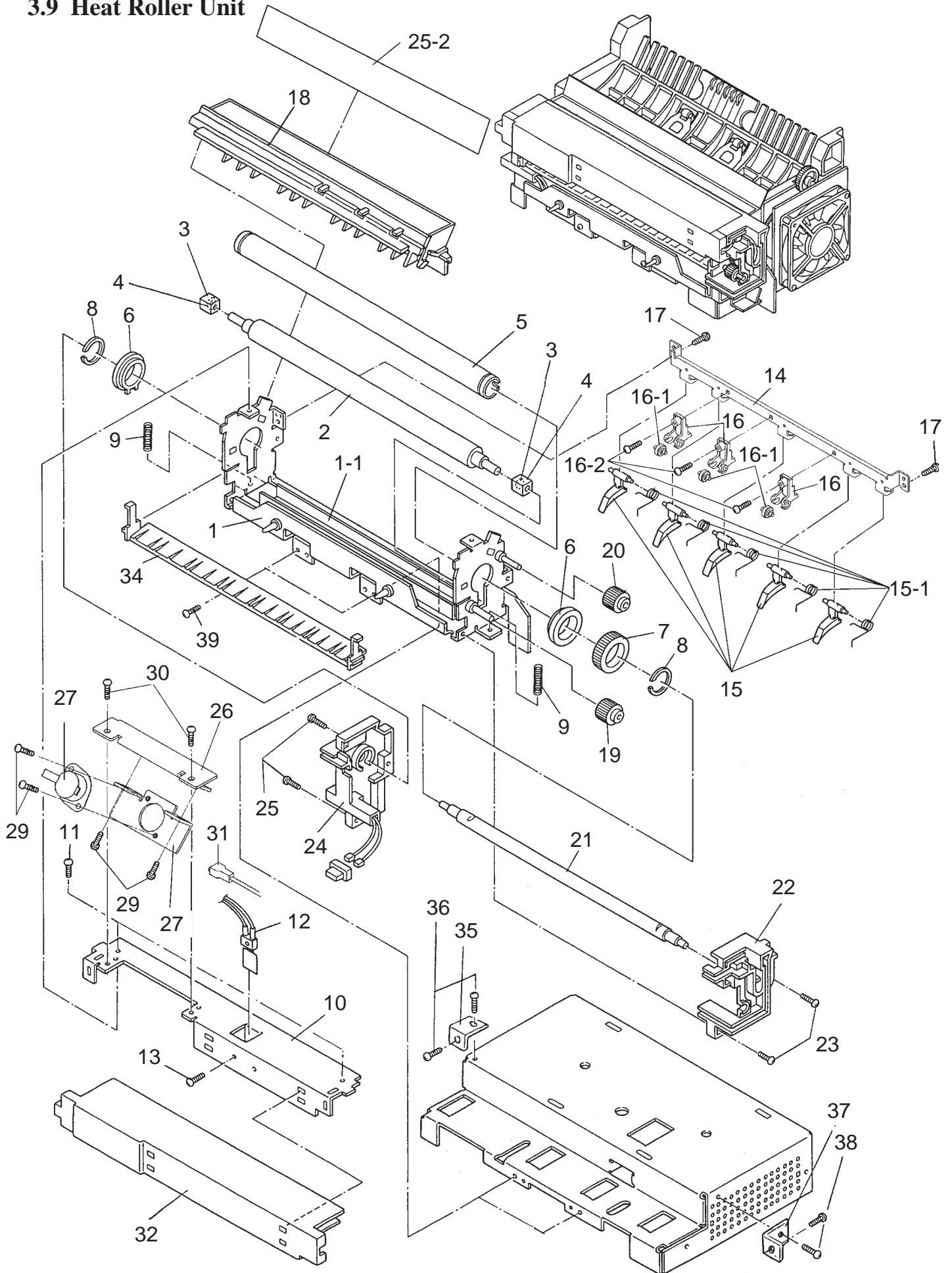


### 3.8 Power Unit

Index No.	Composition & Quantity				S P	Specification	Parts name (Description)	AC(V)		Remarks
								120	220 ~240	
1~	1 1					CA04291-F544 CA04291-F545	POWER UNIT POWER UNIT	√ √	√ √	100-120V 220-240V
1	1					CA02758-G135	PB COVER	√	√	
2	1				*	CA02951-4262	POWER BOARD	√	√	100-120V
	1				*	CA02951-4267	POWER BOARD	√	√	220-240V
3	5				@	CA02758-0197	TAPPING SCREW	√	√	
4	1				@	F6-SW2N3-06121	SCREW	√	√	
5	1				@	CA02758-Y137	SWITCH COVER	√	√	
6	1					CA02758-Y655	SENSOR LEVER 5	√	√	
7~20	1					CA04040-F590	PAPER FRAME ASY	√	√	
7		1				CA02758-Y675	PAPER FRAME	√	√	
8		1				CA02758-Y679	SENSOR LEVER 6	√	√	
9		1				CA04040-G591	EJECT ROLLER	√	√	
10		1				CA04040-Y592	ER BEARING	√	√	
11		1				CA04040-0590	ONE WAY CLUTCH	√	√	
12		1				CA02758-Y676	SIDE FRAME LP	√	√	
13~17		1			@	CA02758-F671	PAPER GUIDE ASY	√	√	
13			1			CA02758-Y670-TK	PAPER GUIDE	√	√	
14~15			1			CA02758-G673	FEED 1 ASY	√	√	
14				1		CA04040-Y672	FEED SPRING 1	√	√	
15				1		CA02758-Y673	PINCH ROLLER	√	√	
16			1			CA02758-Z671	STACK LEVER	√	√	
17			1			CA02758-Y671	P LABEL	√	√	
18		1				CA02758-Y677	SIDE FRAME RP	√	√	
19		6			@	F6-SN2TP3-08	TAPPING SCREW	√	√	
20		1				CA02758-G678	SWITCH ASY	√	√	
21	1				@	CA02758-Y661	GEAR 1	√	√	
22	3				@	CA02758-Y662	GEAR 2	√	√	
23	1				@	CA02758-Y663	GEAR 3	√	√	
24	1				@	CA02758-Y664	GEAR 4	√	√	
25	1				@	CA02758-Y665	GEAR 5	√	√	
26	1				@	CA02758-Y668	FAN BRACKET	√	√	
27	1				*	CA02758-G128	FAN ASY	√	√	
28	2				@	F6-SW2N3-20111	SCREW	√	√	
29	2				@	CA02758-0195	TAPPING SCREW	√	√	
30	4					CA02358-Y291	DAMPER MM	√	√	



### 3.9 Heat Roller Unit

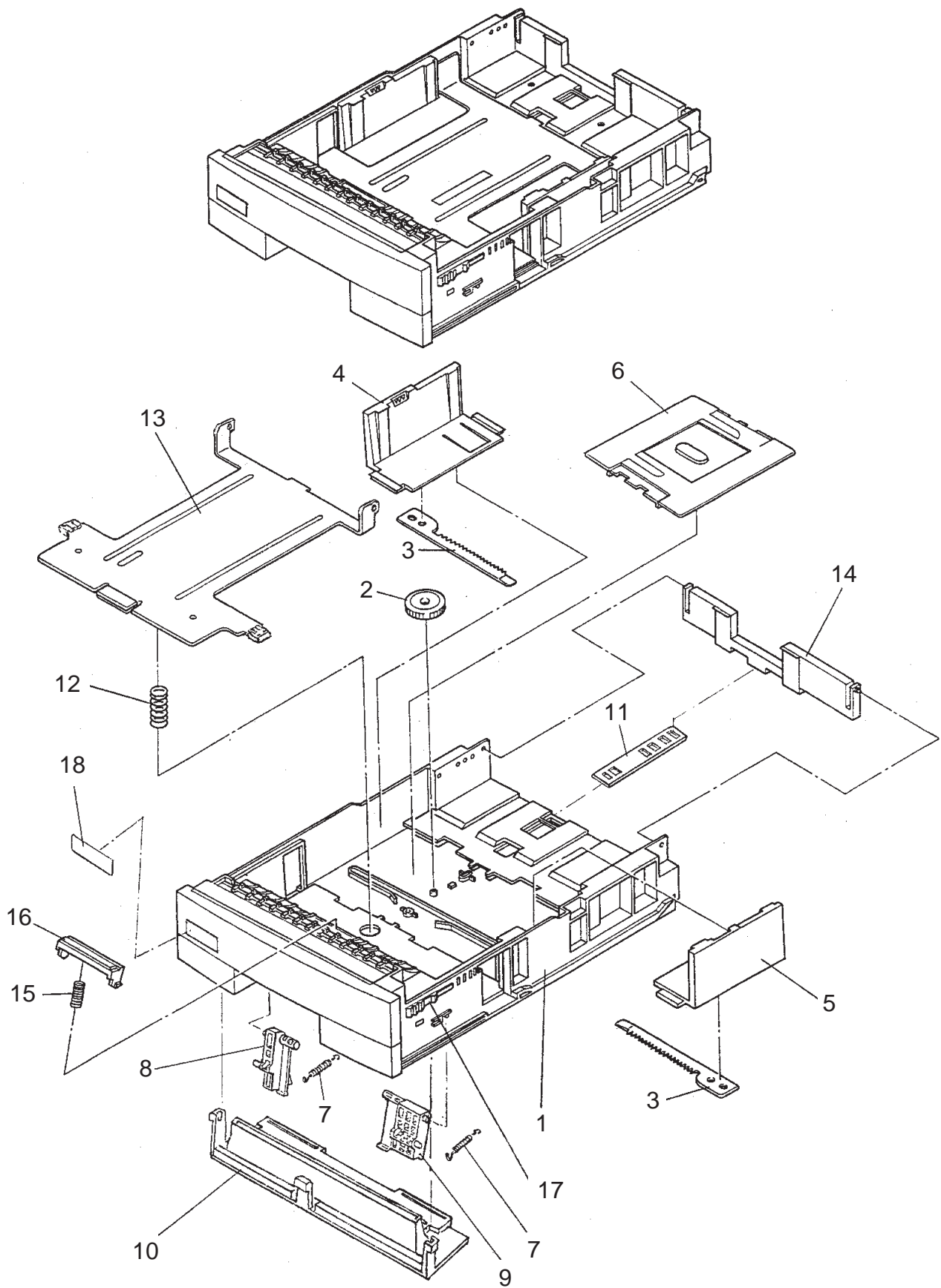




### 3.9 Heat Roller Unit

Index No.	Composition & Quantity				S P	Specification	Parts name (Description)	AC(V)		Remarks
								120	220 ~240	
1~33	1					CA04291-F501	HR UNIT	√		120V 220-240V
	1					CA04291-F502	HR UNIT		√	
1~25		1				CA04291-G501	HR SUB UNIT	√		120V 220-240V
		1				CA04291-G502	HR SUB UNIT		√	
1~17			1			CA04291-G514	HR BASE UNIT	√	√	
1				1		CA04040-G519	HR FRAME ASY 1	√	√	
1-1						CA04040-Y696	BRC PLATE	√	√	
2				1		CA04040-G513	BU ROLLER ASY	√	√	
3				2		CA02758-Z531	BEARING BR	√	√	
4				2		CA98001-6511	BEARING	√	√	
5				1		CA04040-G512	HEAT ROLLER ASY	√	√	
6				2		CA02758-Y532	BEARING HR	√	√	
7				1		CA02758-Y533	GEAR HR	√	√	
8				2		CA02758-Y535	RING HR	√	√	
9				2		CA02758-Z534	SPRING BR	√	√	
10				1		CA02758-Y541	HR FRAME U	√	√	
11				2		CA02758-0195	TAPPING SCREW	√	√	
12				1		CA02758-0545	THERMISTOR ASY	√	√	
13				1		CA02758-0199	TAPPING SCREW	√	√	
14~16-2				1		CA04040-G564	DCR PLATE ASY	√	√	
14				1		CA04040-G566	PLATE SP (ASY)	√	√	
14-1					1	CA04040-Y547	PLATE SP	√	√	
14-2					2	CA04040-Y548	GUIDE SPRING	√	√	
15				5		CA02758-Y561	SEPARATOR	√	√	
15-1				5		CA02758-Y562	SPRING SP	√	√	
16				3		CA04040-Y545	DCR HOLDER	√	√	
16-1				3		CA04040-Y546	DCR ROLLER	√	√	
16-2				3		F6-SW3N3-10111	SCREW	√	√	
17				2		CA02758-0195	TAPPING SCREW	√	√	
18		1				CA04040-Y155	HR COVER R	√	√	120V 220-240V
19		1				CA02758-Y538	GEAR HG1	√	√	
20		1				CA02758-Y539	GEAR HG2	√	√	
21		1				CA02758-0521	HEATER LAMP	√		
		1				CA02758-0522	HEATER LAMP		√	
22		1				CA02758-Y577	HR COVER SR	√	√	
23		2				CA02758-0195	TAPPING SCREW	√	√	
24		1				CA02758-G570	COVER SL ASY	√	√	
25		2				CA02758-0195	TAPPING SCREW	√	√	
25-2		1				CA04040-Y533	TT FILM	√	√	
26~29		1				CA04291-G583	TH HOLDER ASY	√	√	
26			1			CA04040-Y571	HOLDER	√	√	
27			1			CA04040-Y572	TH HOLDER	√	√	
28			1			CA02758-0583	THERMOSTAT ASY	√	√	
29			4			F6-SW2N3-05121	SCREW	√	√	
30		2				F6-SN2TP3-6	TAPPING SCREW	√	√	
31		1				CA02758-0585	HR CABLE ASY	√	√	
32		1			@	CA02758-G577	HR COVER F	√	√	
33		1			@	CA98001-5557	CONNECTOR	√	√	
34		1			@	CA02758-Y537	PAPER GUIDE HR	√	√	
35	1					CA02758-Z525	PLATE L	√	√	
36	2					CA02758-0195	TAPPING SCREW	√	√	
37	1					CA02758-Z526	PLATE R	√	√	
38	2					CA02758-0195	TAPPING SCREW	√	√	
39	2					CA02758-0195	TAPPING SCREW	√	√	

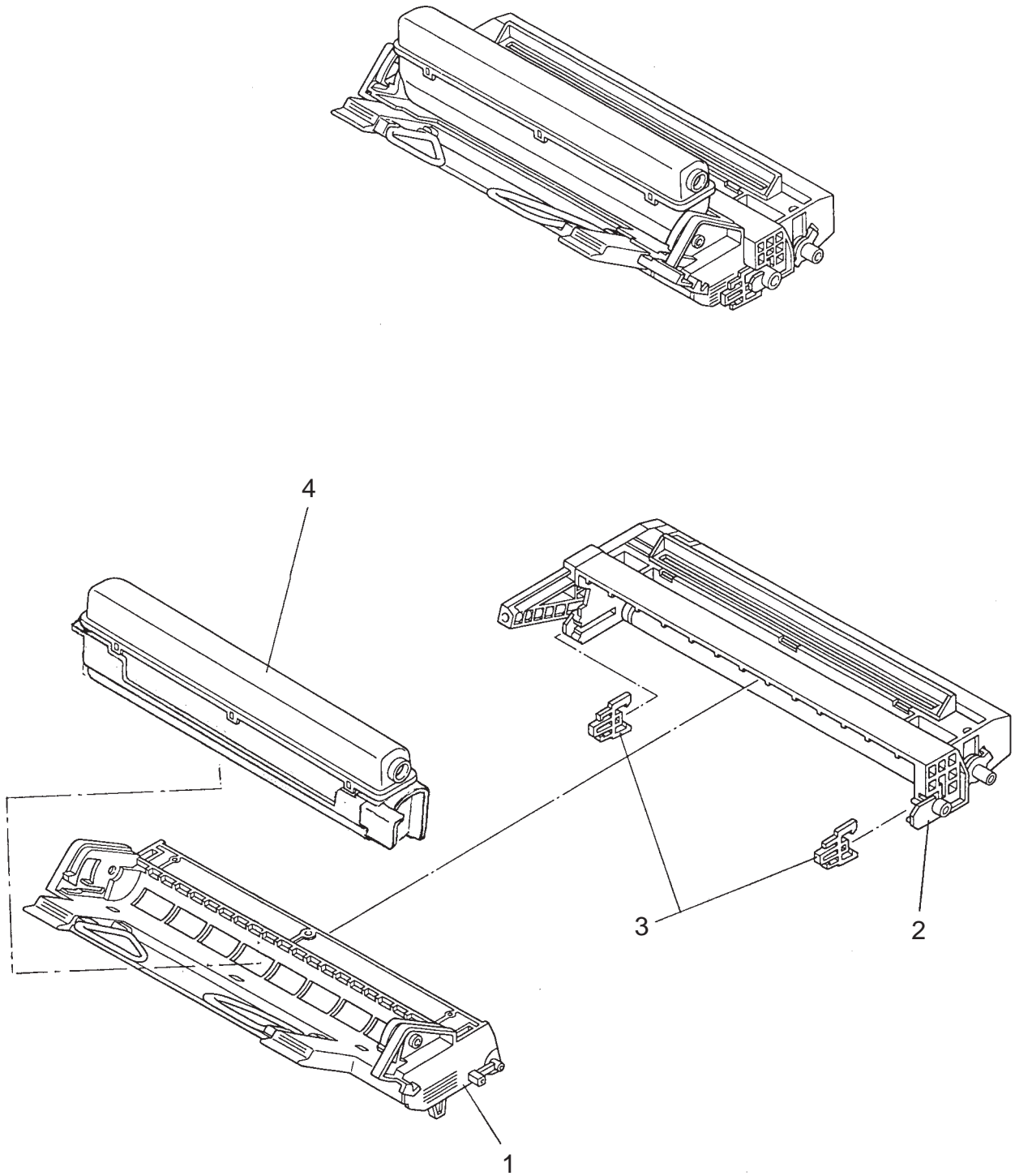
### 3.10 Paper Tray



### 3.10 Paper Tray

Index No.	Composition & Quantity				S P	Specification	Parts name (Description)	AC(V)		Remarks
								120	220 ~240	
1~	1					CA04291-F701	PAPER TRAY	√	√	A4 LETTER
	1					CA04291-F702	PAPER TRAY	√	√	
1	1				@	CA04040-G701	PAPER TRAY	√	√	
2	1				@	CA04040-Y725	PINION	√	√	
3	2				@	CA04040-Y726	RACK	√	√	
4	1				@	CA04040-Y721	PAPER GUIDE L	√	√	
5	1				@	CA04040-G722	GUIDE R ASY	√	√	
6	1				@	CA04040-Y727	COVER UG	√	√	
7	2				@	CA04040-Z714	SPRING	√	√	
8	1				@	CA04040-Y714	HOLDER L	√	√	
9	1				@	CA04040-Y715	HOLDER R	√	√	
10	1				@	CA04040-Y717	LOWER GUIDE	√	√	
11	1				@	CA04040-Y719	PLATE	√	√	
12	1				@	CA04291-Y713	SPRING	√	√	
13	1				@	CA04040-G711	PLATE ASY	√	√	
14	1				@	CA04291-G723	PAPER GUIDE ASY	√	√	
15	1				@	CA02417-Y708	HOLDER SPRING	√	√	
16	1				@	CA04040-G730	SEPARATOR	√	√	
17	1				@	CA02758-Y719	P SIZE LEVER	√	√	
18	1				@	CA02417-Y720	SIZE LABEL	√	√	A4 LETTER
	1				@	CA02417-Y724	SIZE LABEL	√	√	

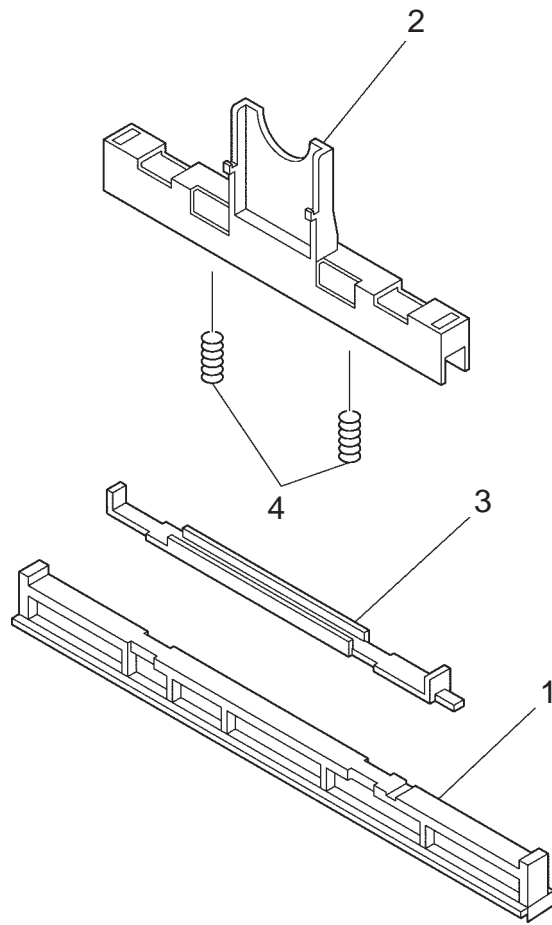
### 3.11 Print Unit



### 3.11 Print Unit

Index No.	Composition & Quantity				S P	Specification	Parts name (Description)	AC(V)		Remarks
								120	220 ~240	
1~4	1					CA02758-C681	PRINT UNIT	√	√	
1		1				CA02758-F300	DEV. UNIT	√	√	
2		2				CA02758-F400	DRUM UNIT	√	√	
3		2				CA02758-G371	P LOCK ASY	√	√	
4		1				CA02758-E300	TONER BOTTLE	√	√	

### 3.12 Cleaner



### 3.12 Cleaner

Index No.	Composition & Quantity				S P	Specification	Parts name (Description)	AC(V)		Remarks
								120	220 ~240	
1~4	1					CA04040-G521	CLEANER	√	√	
1		1				CA04040-G522	CL PAD ASY	√	√	
2~4		1			@	CA04040-G523	CL HOLDER ASY	√	√	
2			1			CA04040-Y150	CL HOLDER	√	√	
3			1			CA04040-Y151	CL P PLATE	√	√	
4			2			CA04040-Y524	CL SPRING	√	√	

## Free Manuals Download Website

<http://myh66.com>

<http://usermanuals.us>

<http://www.somanuals.com>

<http://www.4manuals.cc>

<http://www.manual-lib.com>

<http://www.404manual.com>

<http://www.luxmanual.com>

<http://aubethermostatmanual.com>

Golf course search by state

<http://golfingnear.com>

Email search by domain

<http://emailbydomain.com>

Auto manuals search

<http://auto.somanuals.com>

TV manuals search

<http://tv.somanuals.com>