

DL3700/3800
DOT MATRIX PRINTER
PARTS CATALOGUE

FUJITSU LIMITED
Communications and Electronics
Tokyo, Japan

REVISION RECORD		
Edition	Date published	Revised contents
01	August, 1994	First issue
Specification No. C147-G003-01EN		

The contents of this manual may be revised without prior notice.

All Rights Reserved, Copyright © 1994 FUJITSU LIMITED. Printed in Japan.
No part of this manual may be reproduced in any form without permission.

Address your comments and inquiries on this manual to:

FUJITSU AUSTRALIA LIMITED
475 Victoria Avenue, Chatswood
N.S.W., 2067, AUSTRALIA
TEL: (61-2) 410-4555
FAX: (61-2) 411-8603

FUJITSU FRANCE S.A.
Batiment Aristote, Rue Olof Palme 94006
Créteil cedex, FRANCE
TEL: (33-1) 43-99-4000
FAX: (33-1) 43-99-0700

FUJITSU CANADA INC.
2800 Matheson Boulevard East
Mississauga, Ontario L4W 4X5, CANADA
TEL: (1-905) 602-5454
FAX: (1-905) 602-5457

FUJITSU HONG KONG LIMITED
Room 2521, Sun Hung Kai Centre
30 Harbour Road, HONG KONG
TEL: (852) 827-5780
FAX: (852) 827-4724

FUJITSU COMPUTER PRODUCTS OF AMERICA, INC.
2904 Orchard Parkway, San Jose
CA 95134-2022, U.S.A.
TEL: (1-408) 432-6333
FAX: (1-408) 894-1709

FUJITSU ITALIA S.p.A.
Via Melchiorre Gioia No.8
20124 Milano, ITALY
TEL: (39-2) 657-2741
FAX: (39-2) 657-2257

FUJITSU DEUTSCHLAND GmbH.
Frankfurter Ring 211
8000, München 40, F.R. GERMANY
TEL: (49-89) 32378-0
FAX: (49-89) 32378-100

FUJITSU NORDIC AB
Torggatan 8, S-171 54 Solna, SWEDEN
TEL: (46-8) 764-76 90
FAX: (46-8) 28-0345

FUJITSU ESPAÑA, S.A.
Edificio Torre Europa 5ª
Paseo de la Castellana 95
28046 Madrid, SPAIN
TEL: (34-1) 581-8000
FAX: (34-1) 581-8300

FUJITSU (SINGAPORE) PTE. LTD.
75 Science Park Drive
#02-06 CINTECH II, SINGAPORE 0511
TEL: (65) 777-6577
FAX: (65) 777-8794

FUJITSU EUROPE LIMITED
2 Longwalk Road, Stockly Park, Uxbridge
Middlesex UB11 1AB, ENGLAND
TEL: (44-81) 573-4444
FAX: (44-81) 573-2643

TATUNG-FUJITSU CO., LTD.
5F Tatung Bldg., 255 Nanking East Road
3rd Sec. Taipei, TAIWAN
TEL: (886-2) 713-5396
FAX: (886-2) 717-4644

FUJITSU LIMITED
International Operations
Marunouchi 1-6-1, Chiyoda-ku
Tokyo 100, JAPAN
TEL: (81-3) 3216-3211
FAX: (81-3) 3216-9353

This is parts catalogue for DL3700/3800 DOT MATRIX PRINTER.

This manual is for service engineers.

There are several models of DL3700/3800 DOT MATRIX PRINTER.

This manual covers all models.

This manual consists of two parts: Parts List and Parts Drawings.

Parts list has layer structure. You can find assembly levels.

Parts drawing does not have the layer structure.

You can see the model difference from the parts list easily.

There are other manuals for service engineers as follows.

Especially the maintenance manual has close relationship to this manual.

DL3700/3800 DOT MATRIX PRINTER MAINTENANCE MANUAL

DL3700/3800 DOT MATRIX PRINTER SCHEMATIC DIAGRAMS

DL3700/3800 DOT MATRIX PRINTER USER'S MANUAL

DL3700/3800 DOT MATRIX PRINTER PRODUCT DESCRIPTION

This document contains technology relating to strategic products controlled by export control laws of the producing and/or exporting countries. This document or a portion thereof should not be exported (or reexported) without authorization from the appropriate governmental authorities in accordance with such laws.

FUJITSU LIMITED

CONTENTS

1. HOW TO REFER TO THIS MANUAL	1-1
2. SPECIFICATIONS	2-1
3. PARTS LIST AND PARTS DRAWING OF PRINTER MECHANISM.....	3-1
3.1 DL3700/3800 Printer	3-1
3.2 Upper Cover Assembly	3-7
3.3 Lower Cover Assembly	3-11
3.4 Mechanism Assembly	3-13
3.5 Frame Sub Assembly	3-17
3.6 Carrier Unit	3-21
3.7 Bail Roller	3-23
3.8 Tractor Unit	3-25
3.9 Power Supply Unit	3-27
3.10 Control Board	3-29

1. HOW TO REFER TO THIS MANUAL

Example:

No.	Composition & Quantity			Specification	Parts name (Description)	DL3700		DL3800	Remarks
	②					⑦			
1- 43	1			CA02313-F021	Upper cover assembly	○			
	1			CA02312-F023	Upper cover assembly	○			
③ 1- 7		1		CA02313-G021	Upper cover sub assembly	○		○	
		1		CA02312-G023	Upper cover sub assembly	○		○	
① 1			1	CA02313-Y02103	Upper cover	○			
			1	CA02312-Y02103	Upper cover	○			
2			1	CA02313-Y032	Sound proof C	○			
3			1	CA02313-Y034	Sound proof E	○			
			1	CA02312-Y113	Sound proof E	○			
4			1	CA02312-Y162	Insulation sheet	○		○	
5			1	CA02312-Y029	Guide	○		○	
6			1	CA02313-Y031	Sound proof B	○		○	
			1	CA02312-Z112	Sound proof U	○		○	
7			1	CA02312-Z111	Sound proof T	○		○	
8		7		CA02312-Y16003	OP Button	○		○	
9		1		CA02312-Y164	OP Sheet	○		○	
10		1		CA20160-B601	OP Board	○		○	
11		1		CA02313-Y158	OP FG Spring	○		○	
12		2		F6-SN2TP3-8	Tapping Screw	○		○	
13		1		CA02312-Y15003	Font card box	○		○	
14- 22		1		⑤ CA02313-F071	Front cover assembly	○		○	
		1		CA02312-G043	Front cover assembly	○		○	
14- 20			1	CA02313-G071	Front cover sub assembly	○			
14			1	CA02312-Y04103	Front cover	○		○	
			1	CA02313-Y07103	Front cover	○			
15			1	CA02313-Y035	Sound proof F	○			
			1	CA02312-Y115	Sound proof	○		○	
16			1	CA02313-Y036	Sound proof G	○			
			1	CA02312-Z115	Sound proof M	○		○	
17			1	CA02312-Y107	Stay F	○		○	
18			5	CA98001-2799	Rivct	○		○	
19			1	CA02312-Y781	Label L	○		○	
20			1	CA02312-Y782	Label R	○		○	
21- 22			1	CA02313-G109	Transparent C.F assembly	○		○	
			1	CA02312-G061	Transparent C.F assembly	○		○	
21			1	CA02313-Y079	Transparent C.F	○		○	
			1	CA02312-Y061	Transparent C.F	○		○	
22			1	CA02313-Y037	Sound proof H	○		○	
			1	CA02312-Y133	Sound proof S	○		○	

R093BA

Example:-continued

No.	Composition & Quantity				Specification	Parts name (Description)	DL3700	DL3800	Remarks
23- 34	1				CA02313-F101	Transparent C.R.assembly	○		
	1				CA02312-G072	Transparent C.R.assembly		○	
23		1			CA02313-Y101	Transparent C.R	○		
		1			CA02312-Y071	Transparent C.RA		○	
24		1			CA02312-Y072	Transparent C.RB		○	
25		1			CA02312-Y073	Transparent C.RC		○	
26		1			CA02312-Y065	Plate L	○		
27		1			CA02312-Y066	Plate R	○		
28		1			CA02312-Y580	Bail roller		○	
29		2			CA02312-Y586	Bail roller		○	
30		1			CA02312-Y117	Sound proof R		○	
31		1			CA02312-Y077	Guide sheet		○	
32		1			CA02312-Y587	Spring L		○	
33		1			CA02312-Y585	Spring		○	
34		1			CA02312-Y588	Spring R		○	
35- 37	1				CA02312-F133	Rear cover assembly		○	
35		1			CA02312-Y13003	Rear cover A		○	
36- 37		1			CA02312-G143	Rear cover B assembly		○	
36			1		CA02312-Y14003	Rear cover B		○	

○: Recommended Spare Parts

- ① This figure shows the item number of the part in the drawing.
- ② These columns show the construction levels. A higher level part consists of the following lower level parts listed until the quantity of the next part appears at the same level. See example ③ .
- ③ m-n shows an assembly or unit consisting of more than one part. The upper cover sub assembly of DL3800 consists of an upper cover, a sound proof E, an insulation sheet, a guide, a sound proof T, and a sound proof U.
- ④ These parts are at the same level and belong to the same upper level part.
- ⑤ Use CA02312-G043 to order the front cover assembly of DL3800. As a rule, only the recommended spare parts can be ordered.
- ⑥ The upper cover assembly is the part name of item numbers 1 to 43.
- ⑦ These columns show information on model difference.
- ⑧ The upper assembly of DL3700 is CA02313-F021.
- ⑨ The upper assembly of DL3800 is CA02312-F023.
- The front cover assembly is a recommended spare part.

2. SPECIFICATIONS

The table below lists standard models of the DL3700 printer.

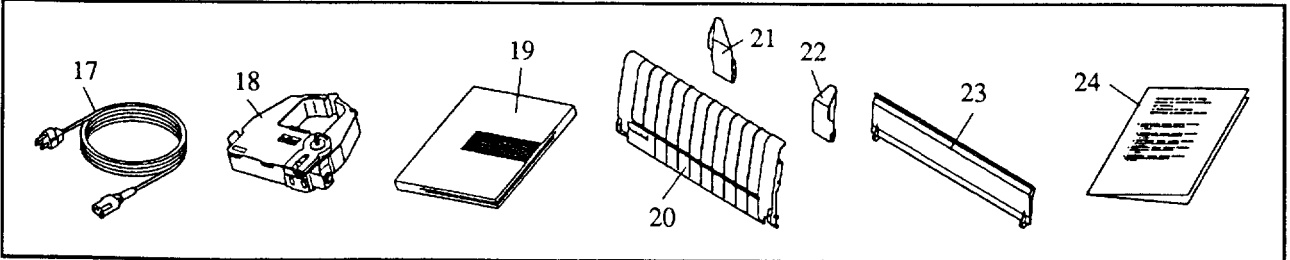
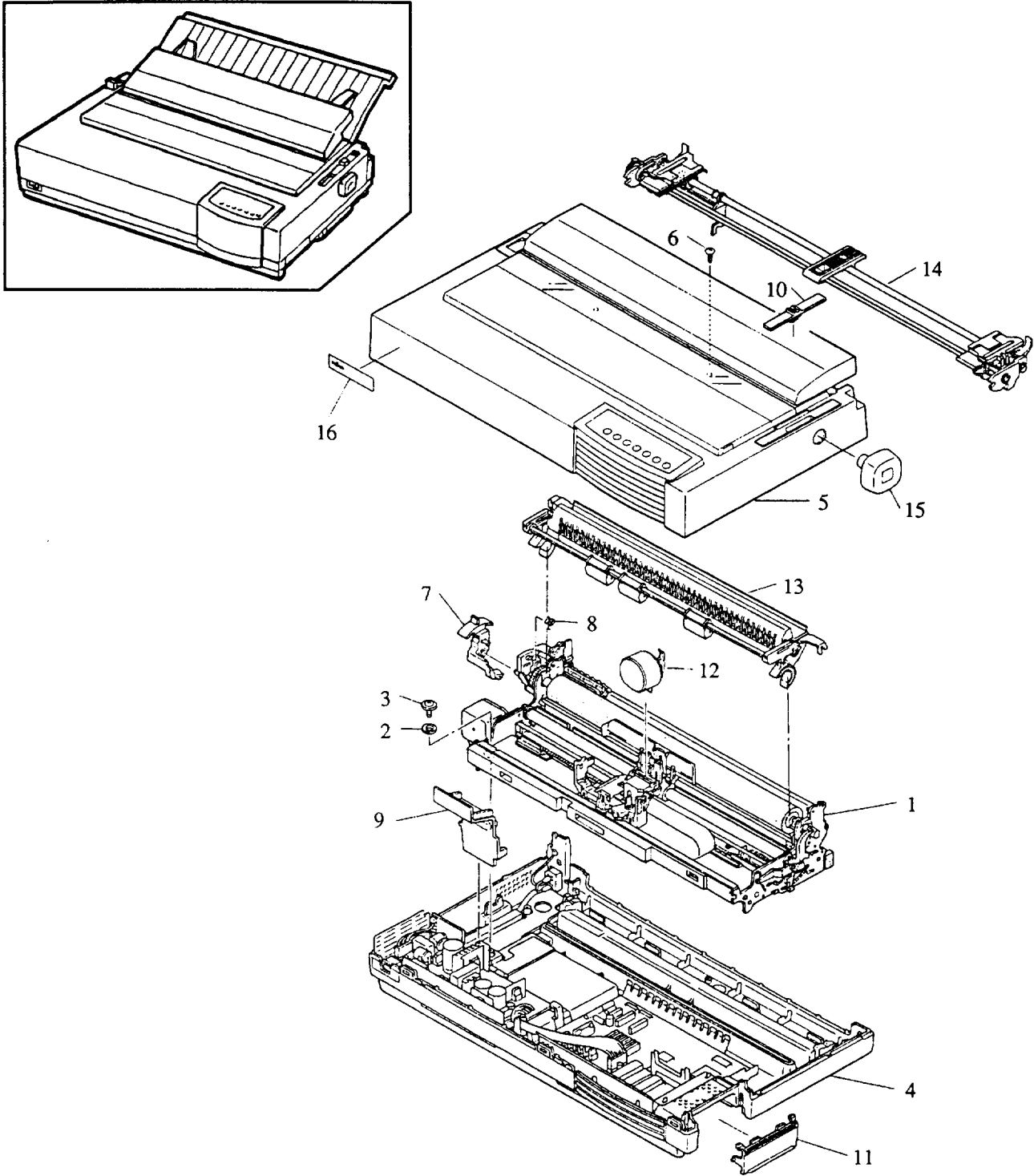
No.	Specification	Voltage		Interface		Area	Remarks
		100V	200V	Centro	RS		
1	CA02313-B101	✓		✓		----	100V standard
2	CA02313-B102	✓		✓		For FCPA	
3	CA02313-B103	✓		✓		For FCI	
4	CA02313-B110		✓	✓		----	200V standard
5	CA02313-B111		✓	✓		----	200V standard
6	CA02313-B115		✓	✓		For FDG	German manual
7	CA02313-B118	✓		✓		For Asia	Without UL/CSA approval
8	CA02313-B119		✓	✓		For Asia	Without TÜV approval
9	CA02313-B151		✓	✓		For FAL	SAA, AC cable
10	CA02313-B181					For OEM	No brand
11	CA02313-B191	✓		✓		For OEM	No brand
12	CA02313-B201	✓		✓	✓	----	100V standard
13	CA02313-B202	✓		✓	✓	For FCPA	
14	CA02313-B203	✓		✓	✓	For FCI	
15	CA02313-B210		✓	✓	✓	----	200V standard
16	CA02313-B211		✓	✓	✓	----	200V standard
17	CA02313-B215		✓	✓	✓	For FDG	German manual
18	CA02313-B218	✓		✓	✓	For Asia	Without UL/CSA approval
19	CA02313-B219		✓	✓	✓	For Asia	Without TÜV approval
20	CA02313-B251		✓	✓	✓	For FAL	SAA, AC cable
21	CA02313-B281	✓		✓	✓	For OEM	No brand
22	CA02313-B291		✓	✓	✓	For OEM	No brand

The table below lists standard models of the DL3800 printer.

No.	Specification	Voltage		Interface		Area	Remarks
		100V	200V	Centro	RS		
1	CA02312-B101	✓		✓		----	100V standard
2	CA02312-B102	✓		✓		For FCPA	
3	CA02312-B103	✓		✓		For FCI	
4	CA02312-B111		✓	✓		----	200V standard
5	CA02312-B113		✓	✓		For U.K.(FDG)	English manual, UK AC cable
6	CA02312-B114		✓	✓		For France(FDG)	French manual
7	CA02312-B115		✓	✓		For FDG	German manual
8	CA02312-B116		✓	✓		For FIS	Italian manual
9	CA02312-B117		✓	✓		For FESA	Spanish manual
10	CA02312-B118	✓		✓		For Asia	Without UL/CSA approval
11	CA02312-B119		✓	✓		For Asia	Without TÜV approval
12	CA02312-B151		✓	✓		For FAL	SAA, AC cable
13	CA02312-B181	✓		✓		For OEM	No brand
14	CA02312-B191		✓	✓		For OEM	No brand
15	CA02312-B201	✓		✓	✓	----	100V standard
16	CA02312-B202	✓		✓	✓	For FCPA	
17	CA02312-B203	✓		✓	✓	For FCI	
18	CA02312-B211		✓	✓	✓	----	200V standard
19	CA02312-B213		✓	✓	✓	For U.K.(FDG)	English manual, UK AC cable
20	CA02312-B214		✓	✓	✓	For France(FDG)	French manual
21	CA02312-B215		✓	✓	✓	For FDG	German manual
22	CA02312-B216		✓	✓	✓	For FIS	Italian manual
23	CA02312-B217		✓	✓	✓	For FESA	Spanish manual
24	CA02312-B218	✓		✓	✓	For Asia	Without UL/CSA approval
25	CA02312-B219		✓	✓	✓	For Asia	Without TÜV approval
26	CA02312-B251		✓	✓	✓	For FAL	SAA, AC cable
27	CA02312-B281	✓		✓	✓	For OEM	No brand
28	CA02312-B291		✓	✓	✓	For OEM	No brand

3. PARTS LIST AND PARTS DRAWING OF PRINTER MECHANISM

3.1 DL3700/3800 Printer

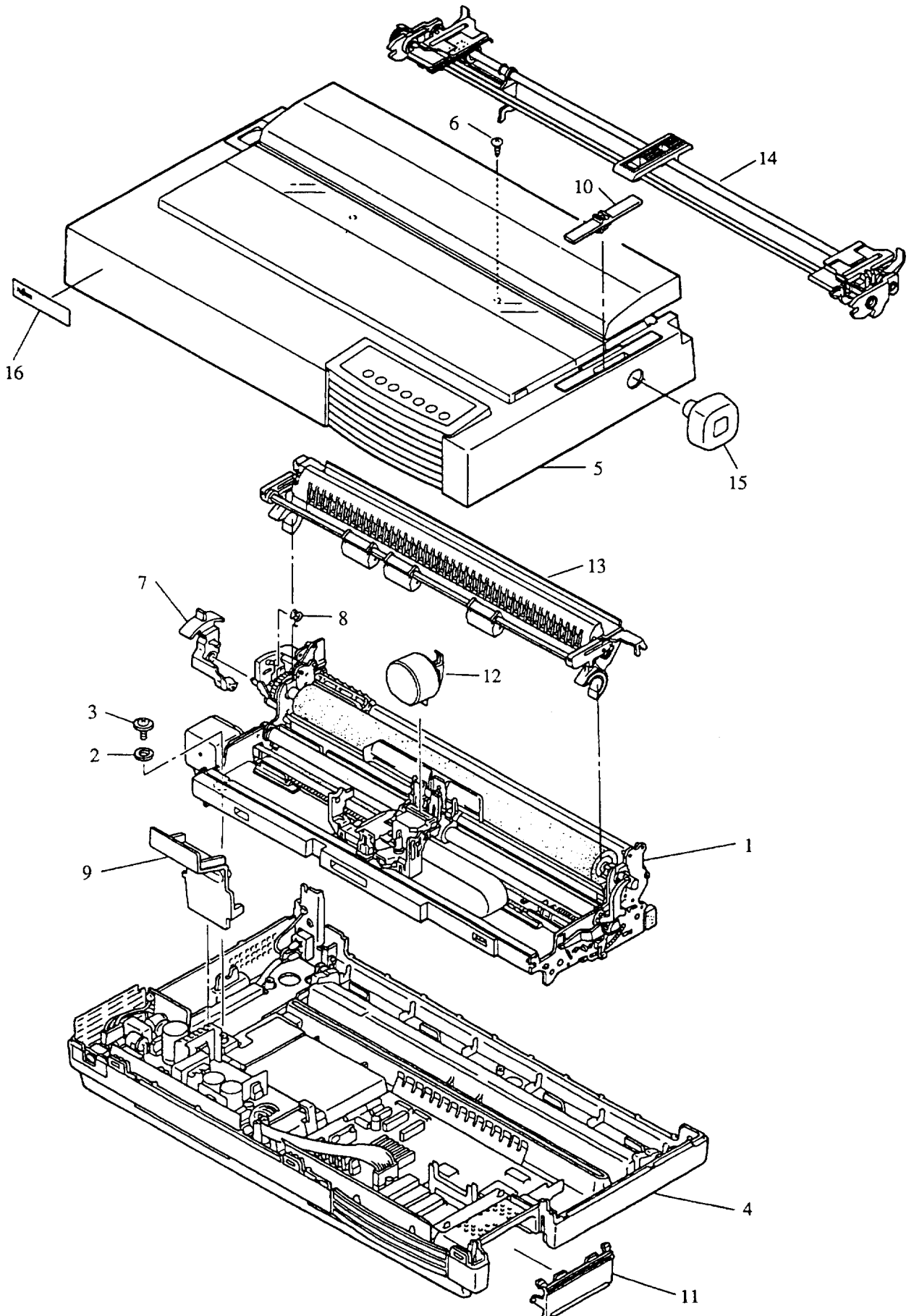


3.1 DL3700/3800 Printer

No.	Composition & Quantity				Specification	Parts name (Description)	DL3700	DL3800	Remarks
1- 24	1				CA02313-B101	DL3700 (CENTRO)	○		80chr
	1				CA02313-B102	DL3700 (CENTRO)	○		80chr
	1				CA02313-B103	DL3700 (CENTRO)	○		80chr
	1				CA02313-B110	DL3700 (CENTRO)	○		80chr
	1				CA02313-B111	DL3700 (CENTRO)	○		80chr
	1				CA02313-B115	DL3700 (CENTRO)	○		80chr
	1				CA02313-B118	DL3700 (CENTRO)	○		80chr
	1				CA02313-B119	DL3700 (CENTRO)	○		80chr
	1				CA02313-B151	DL3700 (CENTRO)	○		80chr
	1				CA02313-B181	DL3700 (CENTRO)	○		80chr
	1				CA02313-B191	DL3700 (CENTRO)	○		80chr
	1				CA02313-B201	DL3700 (CENTRO + RS232C)	○		80chr
	1				CA02313-B202	DL3700 (CENTRO + RS232C)	○		80chr
	1				CA02313-B203	DL3700 (CENTRO + RS232C)	○		80chr
	1				CA02313-B210	DL3700 (CENTRO + RS232C)	○		80chr
	1				CA02313-B211	DL3700 (CENTRO + RS232C)	○		80chr
	1				CA02313-B215	DL3700 (CENTRO + RS232C)	○		80chr
	1				CA02313-B218	DL3700 (CENTRO + RS232C)	○		80chr
	1				CA02313-8219	DL3700 (CENTRO + RS232C)	○		80chr
	1				CA02313-B251	DL3700 (CENTRO + RS232C)	○		80chr
	1				CA02313-B281	DL3700 (CENTRO + RS232C)	○		80chr
	1				CA02313-B291	DL3700 (CENTRO + RS232C)	○		80chr
	1				CA02312-B101	DL3800 (CENTRO)		○	136chr
	1				CA02312-B102	DL3800 (CENTRO)		○	136chr
	1				CA02312-B103	DL3800 (CENTRO)		○	136chr
	1				CA02312-B111	DL3800 (CENTRO)		○	136chr
	1				CA02312-B113	DL3800 (CENTRO)		○	136chr
	1				CA02312-B114	DL3800 (CENTRO)		○	136chr
	1				CA02312-B115	DL3800 (CENTRO)		○	136chr
	1				CA02312-B116	DL3800 (CENTRO)		○	136chr
	1				CA02312-B117	DL3800 (CENTRO)		○	136chr
	1				CA02312-B118	DL3800 (CENTRO)		○	136chr
	1				CA02312-B119	DL3800 (CENTRO)		○	136chr
	1				CA02312-B151	DL3830 (CENTRO)		○	136chr
	1				CA02312-B181	DL3830 (CENTRO)		○	136chr
	1				CA02312-B191	DL3800 (CENTRO)		○	136chr
	1				CA02312-B201	DL3800 (CENTRO + RS232C)		○	136chr
	1				CA02312-B202	DL3800 (CENTRO + RS232C)		○	136chr
	1				CA02312-B203	DL3800 (CENTRO + RS232C)		○	136chr
	1				CA02312-B211	DL3800 (CENTRO + RS232C)		○	136chr
	1				CA02312-B213	DL3800 (CENTRO + RS232C)		○	136chr
	1				CA02312-8214	DL3800 (CENTRO + RS232C)		○	136chr
	1				CA02312-B215	DL3800 (CENTRO + RS232C)		○	136chr
	1				CA02312-B216	DL3800 (CENTRO + RS232C)		○	136chr
	1				CA02312-B217	DL3800 (CENTRO + RS232C)		○	136chr
1				CA02312-B218	DL3800 (CENTRO + RS232C)		○	136chr	
1				CA02312-B219	DL3800 (CENTRO + RS232C)		○	136chr	
1				CA02312-B251	DL3800 (CENTRO + RS232C)		○	136chr	
1				CA02312-B281	DL3800 (CENTRO + RS232C)		○	136chr	
1				CA02312-B291	DL3800 (CENTRO + RS232C)		○	136chr	

○: Recommended Spare Parts

3.1 DL3700/3800 Printer (continued)

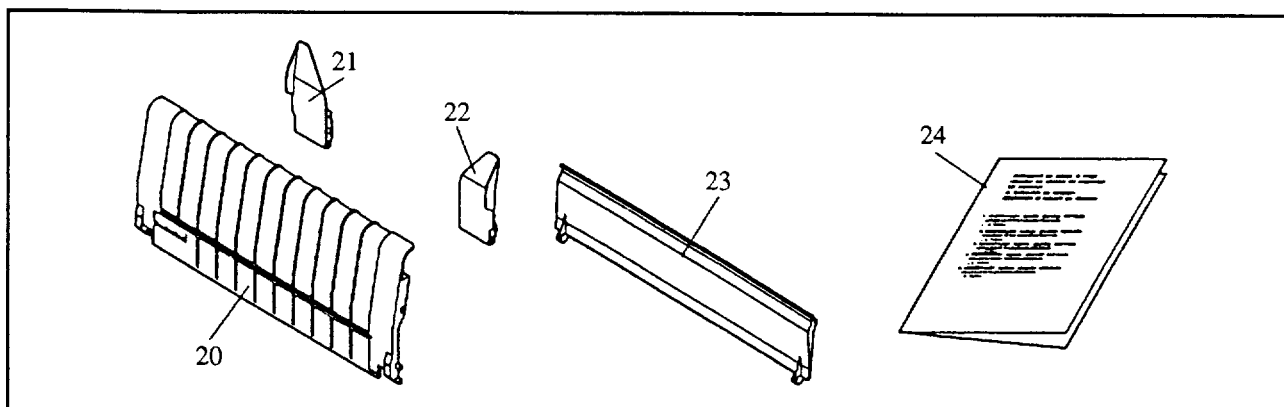
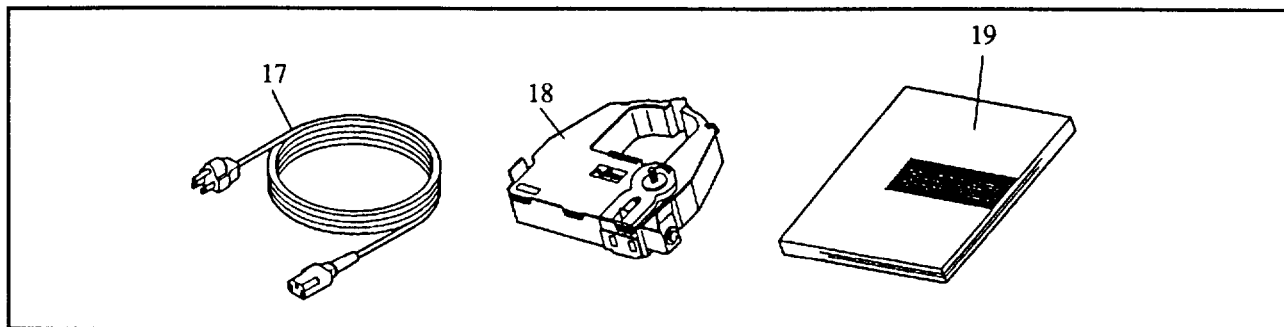


3.1 DL3700/3800 Printer (continued)

No.	Composition & Quantity			Specification	Parts name (Description)			Remarks
						DL3700	DL3800	
1- 16	1			CA02313-C101	PRINTER (CENTRO)	○		80chr
	1			CA02313-C111	PRINTER (CENTRO)	○		80chr
	1			CA02313-C118	PRINTER (CENTRO)	○		80chr
	1			CA02313-C119	PRINTER (CENTRO)	○		80chr
	1			CA02313-C201	PRINTER (CENTRO + RS232C)	○		80chr
	1			CA02313-C211	PRINTER (CENTRO + RS232C)	○		80chr
	1			CA02313-C218	PRINTER (CENTRO + RS232C)	○		80chr
	1			CA02313-C219	PRINTER (CENTRO + RS232C)	○		80chr
	1			CA02312-C101	PRINTER (CENTRO)		○	136chr
	1			CA02312-C111	PRINTER (CENTRO)		○	136chr
	1			CA02312-C118	PRINTER (CENTRO)		○	136chr
	1			CA02312-C119	PRINTER (CENTRO)		○	136chr
	1			CA02312-C201	PRINTER (CENTRO + RS232C)		○	136chr
	1			CA02312-C211	PRINTER (CENTRO + RS232C)		○	136chr
	1			CA02312-C218	PRINTER (CENTRO + RS232C)		○	136chr
	1			CA02312-C219	PRINTER (CENTRO + RS232C)		○	136chr
	1	1		CA02312-F210	Printer Mech. assembly	●		
	2		2	CA02312-F203	Printer Mech. assembly		●	
	3		2	CA02312-Y128	Rubber bush		○	
	4		1	D860-1156-X819	Screw	○	○	
5		1	CA02313-D101	Lower cover assembly	○			
		1	CA02313-D111	Lower cover assembly	○			
		1	CA02313-D118	Lower cover assembly	○			
		1	CA02313-D119	Lower cover assembly	○			
		1	CA02313-D201	Lower cover assembly	○			
		1	CA02313-D211	Lower cover assembly	○			
		1	CA02313-D218	Lower cover assembly	○			
		1	CA02313-D219	Lower cover assembly	○			
		1	CA02312-D101	Lower cover assembly		○		
		1	CA02312-D111	Lower cover assembly		○		
		1	CA02312-D118	Lower cover assembly		○		
		1	CA02312-D119	Lower cover assembly		○		
		1	CA02312-D201	Lower cover assembly		○		
		1	CA02312-D211	Lower cover assembly		○		
		1	CA02312-D218	Lower cover assembly		○		
	6	1	1	CA02312-D219	Lower cover assembly		○	
7	1	1	CA02313-F021	Upper cover assembly	○			
	1	1	CA02312-F023	Upper cover assembly		○		
8	2	2	F6-SN2TP3-8	Tapping screw	○			
	3	3	F6-SN2TP3-8	Tapping screw		○		
9	1	1	CA02312-Y42003	Change lever	●			
	1	1	CA02312-Y427	PS spring	●			
10	1	1	CA02312-Y079	Plate	●			
	1	1	CA02312-Y19003	Knob	○			
11	1	1	CA02312-Y07003	Side cover	○			
	1	1	CA02281-F602	Print head	○			
12	1	1	CA02312-F651	Bail roller unit	○			
	1	1	CA02312-F595	Tractor unit	○			
13	1	1	CA02312-F560	Tractor unit	○			
	1	1	CA02312-Y19903	Platen knob	●			
14	1	1	CA02313-Y728	Logo label	○			
	1	1	CA02312-Y728	Logo label		○		

●: Recommended Spare Parts

3.1 DL3700/3800 Printer (continued)

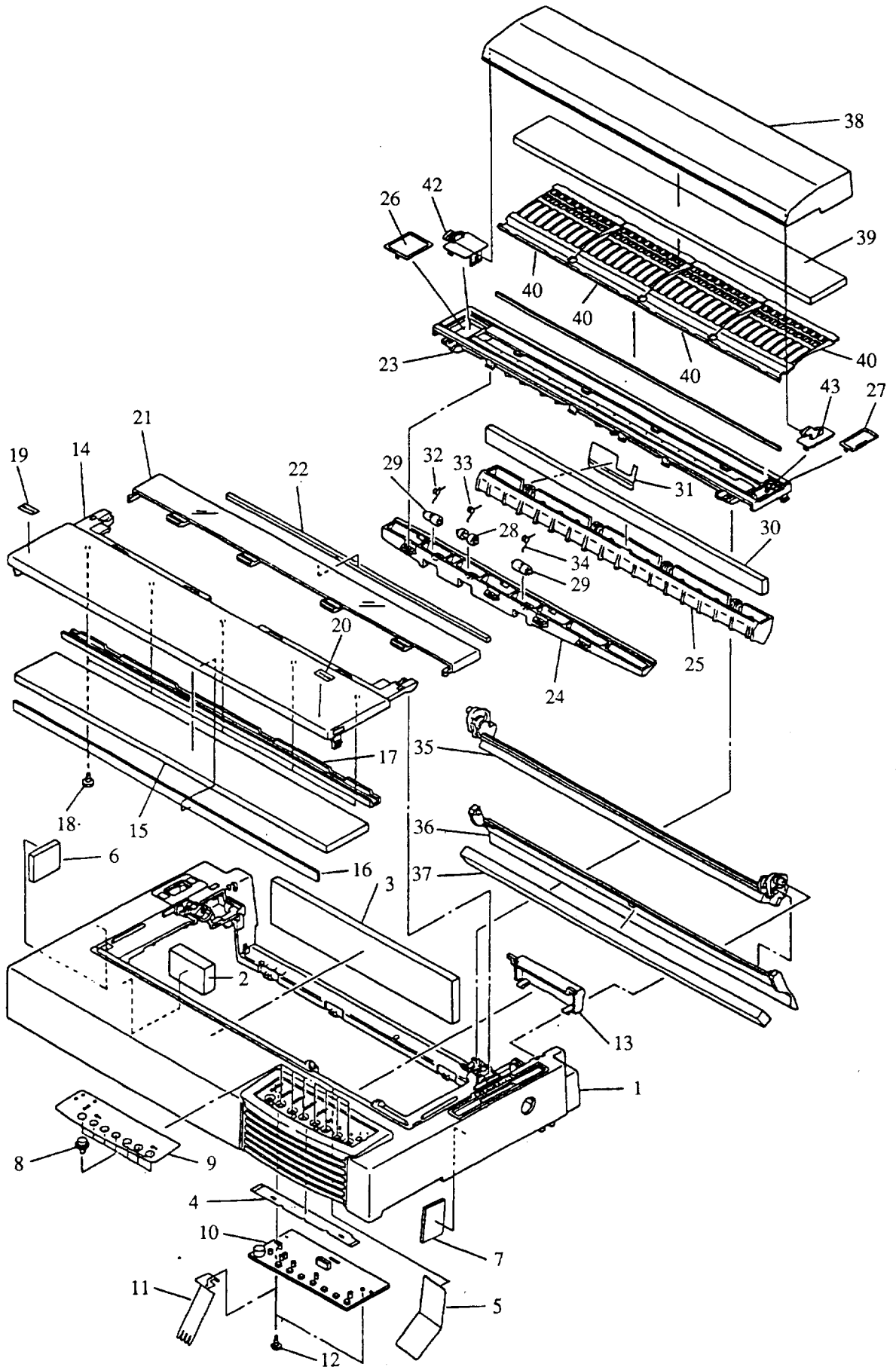


3.1 DL3700/3800 Printer (continued)

No.	Composition & Quantity				Specification	Parts name (Description)			Remarks
							DL3700	DL3800	
17- 24	1				CA02313-H101	Accessory	○		
	1				CA02313-H102	Accessory	○		
	1				CA02313-H103	Accessory	○		
	1				CA02313-H110	Accessory	○		
	1				CA02313-H111	Accessory	○		
	1				CA02313-H115	Accessory	○		
	1				CA02313-H151	Accessory	○		
	1				CA02313-H181	Accessory	○		
	1				CA02313-H191	Accessory	○		
	1				CA02312-H101	Accessory		○	
	1				CA02312-H102	Accessory		○	
	1				CA02312-H103	Accessory		○	
	1				CA02312-H111	Accessory		○	
	1				CA02312-H113	Accessory		○	
	1				CA02312-H114	Accessory		○	
	1				CA02312-H115	Accessory		○	
	17	1				CA02312-H116	Accessory		○
1					CA02312-H117	Accessory		○	
1					CA02312-H151	Accessory		○	
1					CA02312-H181	Accessory		○	
1					CA02312-H191	Accessory		○	
1		1			CA63028-3001	AC power cord	○		
1		1			CA98001-3487	AC power cord	○		SP11-KDK
1		1			CA98001-3491	AC power cord	○		SP12-KDK
1		1			CA98001-3596	AC power cord	○		SP10-KDK
1		1			CA98001-3597	AC power cord	○	○	SP13-KDK
1		1			CA98001-4319	AC power cord	○		SP12-L2M
18	1				CA98001-4320	AC power cord	○		SP13-L2M
	1				CA98001-4429	AC power cord	○		SP11-L2M
19	1				CA98001-4430	AC power cord	○		SP10-L2M
	1				CA02374-D100	Ribbon cassette	○	○	
20- 23	1				CA02374-D101	Ribbon cassette	○	○	
	1				C147-E016-EN	User's manual	○	○	
	1				C147-E016-FR	User's manual	○	○	
	1				C147-E016-DE	User's manual	○	○	
	1				C147-E016-AL	User's manual	○	○	
20- 22	1				C147-E016-ES	User's manual	○	○	
	1				CA02313-F081	Sheet guide assembly	○		
20	1				CA02312-F081	Sheet guide assembly		○	
	1	1			CA02313-G081	Sheet guide sub assembly	○		
21	1				CA02312-G081	Sheet guide sub assembly		○	
	1		1		CA02313-Y08103	Sheet guide	○		
22	1				CA02312-Y08803	Sheet guide L	○	○	
	1				CA02312-Y08903	Sheet guide R	○	○	
23	1		1		CA02313-G091	Rear cover assembly	○		
	1	1			CA02312-Y981	Leaflet A		○	

○: Recommended Spare Parts

3.2 Upper Cover Assembly

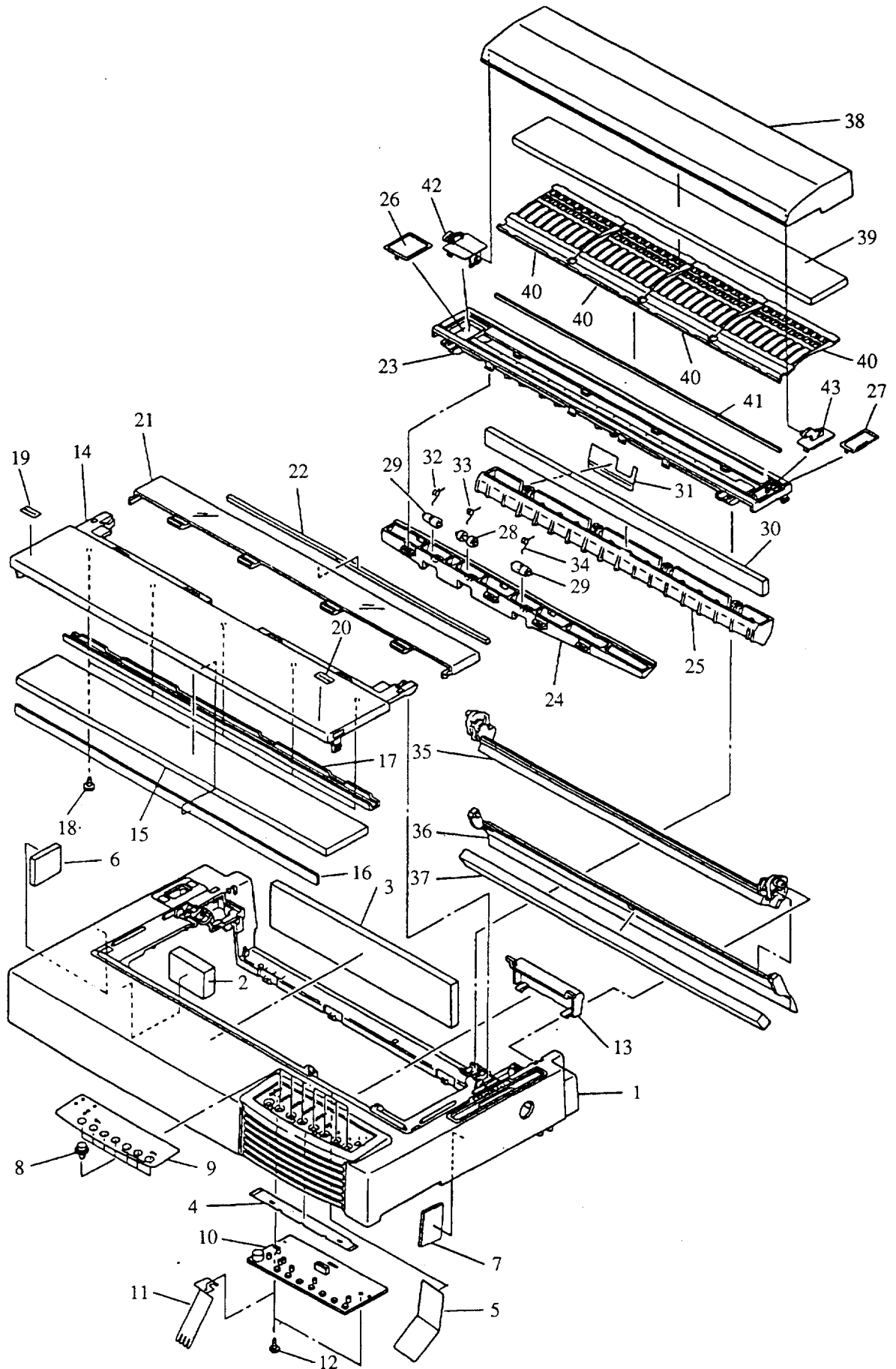


3.2 Upper Cover Assembly

No.	Composition & Quantity				Specification	Parts name (Description)			Remarks
							DL3700	DL3800	
1- 43	1				CA02313-F021	Upper cover assembly	○		
	1				CA02312-F023	Upper cover assembly		○	
1- 7		1			CA02313-G021	Upper cover sub assembly	○		
		1			CA02312-G023	Upper cover sub assembly		○	
			1		CA02313-Y02103	Upper cover	○		
			1		CA02312-Y02103	Upper cover		○	
2			1		CA02313-Y032	Sound proof C	○		
3			1		CA02313-Y034	Sound proof E	○		
			1		CA02312-Y113	Sound proof E		○	
4			1		CA02312-Y162	Insulation sheet	○	○	
5			1		CA02312-Y029	Guide		○	
6			1		CA02313-Y031	Sound proof B	○		
			1		CA02312-Z112	Sound proof U		○	
7			1		CA02312-Z111	Sound proof T		○	
8	7				CA02312-Y16003	OP button	○	○	
9	1				CA02312-Y164	OP sheet	○	○	
10	1				CA20160-B601	OP board	●	●	R093BA
11	1				CA02313-Y158	OP FG spring	○		
12	2				F6-SN2TP3-8	Tapping screw	○	○	
13	1				CA02312-Y15003	Font card box	○	○	
14-22	1				CA02313-F071	Front cover assembly	●		
	1				CA02312-G043	Front cover assembly		●	
14-20		1			CA02313-G071	Front cover sub assembly	○		
14		1			CA02312-Y04103	Front cover		○	
			1		CA02313-Y07103	Front cover	○		
15			1		CA02313-Y035	Sound proof F	○		
			1		CA02312-Y115	Sound proof		○	
16			1		CA02313-Y036	Sound proof G	○		
			1		CA02312-Z115	Sound proof M		○	
17			1		CA02312-Y107	Stay F		○	
18			5		CA98001-2799	Rivet		○	
19			1		CA02312-Y781	Label L		○	
20			1		CA02312-Y782	Label R		○	
21-22			1		CA02313-G109	Transparent C.F assembly	○		
			1		CA02312-G061	Transparent C.F assembly		○	
21				1	CA02313-Y079	Transparent C.F	○		
				1	CA02312-Y061	Transparent C.F		○	
22				1	CA02313-Y037	Sound proof H	○		
				1	CA02312-Y133	Sound proof S		○	
23-34	1				CA02313-F101	Transparent C.R assembly	●		
	1				CA02312-G072	Transparent C.R assembly		●	
23		1			CA02313-Y101	Transparent C.R	○		
		1			CA02312-Y071	Transparent C.RA		○	
24		1			CA02312-Y072	Transparent C.RB		○	
25		1			CA02312-Y073	Transparent C.RC		○	
26		1			CA02312-Y065	Plate L	●		
27		1			CA02312-Y066	Plate R	●		
28		1			CA02312-Y580	Bail roller		○	
29		2			CA02312-Y586	Bail roller		○	
30		1			CA02312-Y117	Sound proof R		○	
31		1			CA02312-Y077	Guide sheet		○	
32		1			CA02312-Y587	Spring L		○	
33		1			CA02312-Y585	Spring		○	
34		1			CA02312-Y588	Spring R		○	
35-37	1				CA02312-F133	Rear cover assembly		○	

●: Recommended Spare Parts

3.2 Upper Cover Assembly (continued)

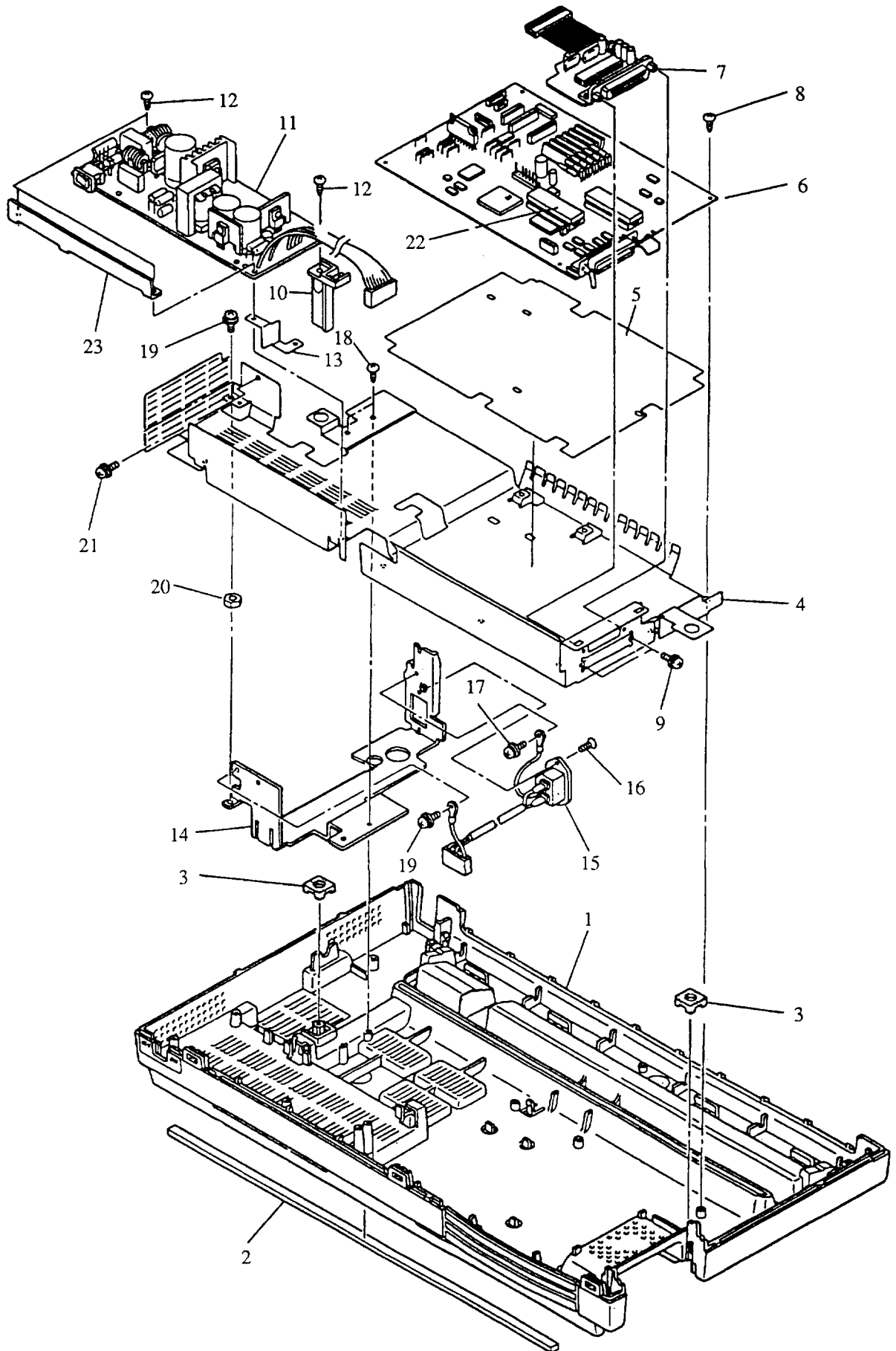


3.2 Upper Cover Assembly (continued)

No.	Composition & Quantity				Specification	Parts name (Description)	DL3700	DL3800	Remarks
35			1		CA02312-Y13003	Rear cover A		○	
36-37			1		CA02312-G143	Rear cover B assembly		○	
36				1	CA02312-Y14003	Rear cover B		○	
37				1	CA02312-Y123	Sound proof B		○	
38-43	1				CA02313-G121	Sound proof C assembly	●		
	1				CA02312-F091	Sound proof C assembly		●	
38-41			1		CA02312-G091	Sound proof cover assembly		○	
38				1	CA02313-Y121	Sound proof cover	○		
				1	CA02312-Y091	Sound proof cover		○	
39				1	CA02313-Y043	Sound proof R	○		
				1	CA02312-Y136	Sound proof N		○	
40			3		CA02312-Y094	Rib unit A	○		
				4	CA02312-Y094	Rib unit A		○	
41			1		CA02313-Y044	Sound proof S	○		
				1	CA02312-Y138	Sponge		○	
42			1		CA02312-Y092	Bracket L		●	
43			1		CA02312-Y093	Bracket R		●	

●: Recommended Spare Parts

3.3 Lower Cover Assembly

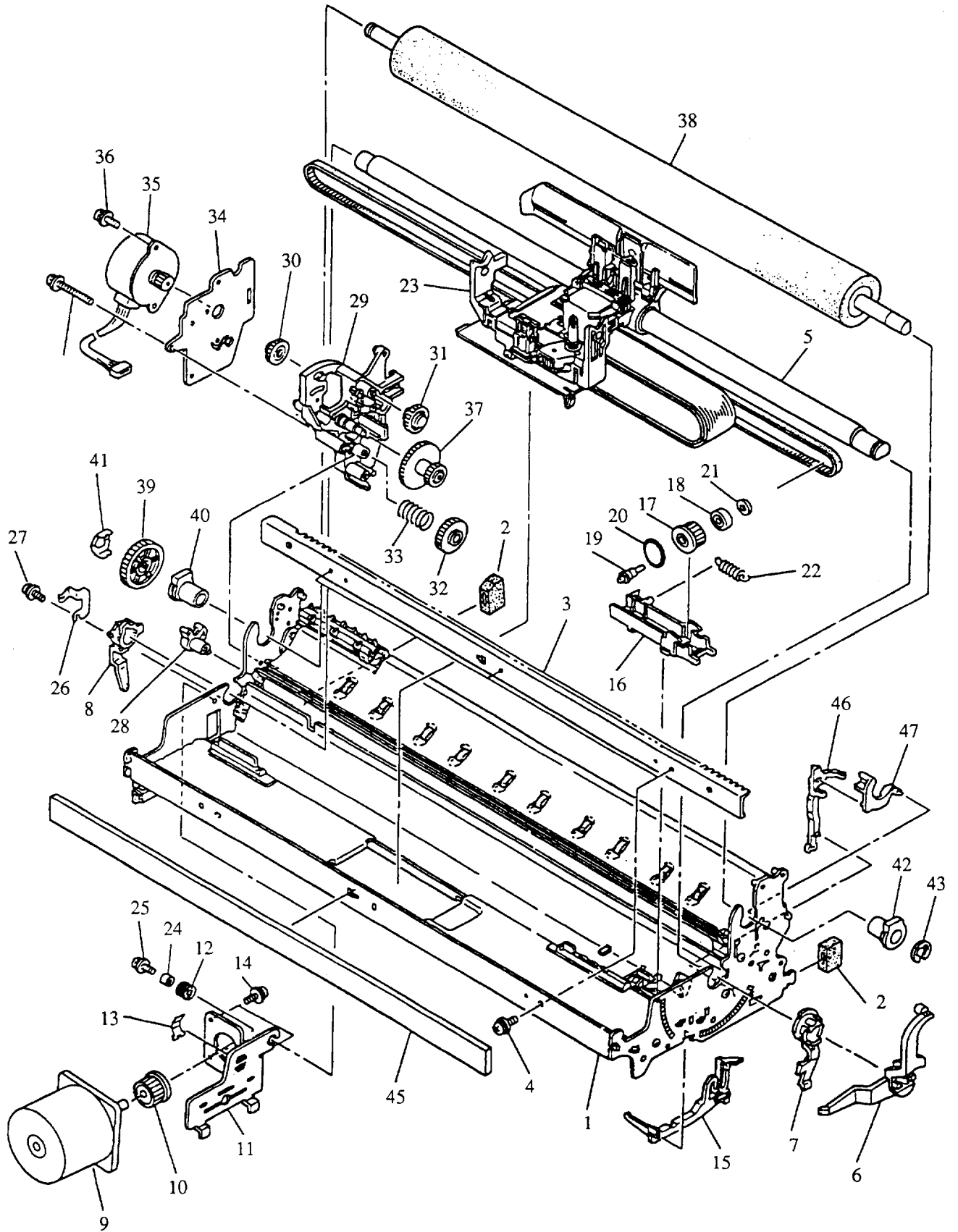


3.3 Lower Cover Assembly

No.	Composition & Quantity				Specification	Parts name (Description)	DL3700	DL3800	Remarks
1- 23	1				CA02313-D101	Lower cover assembly	○		
	1				CA02313-D111	Lower cover assembly	○		
	1				CA02313-D118	Lower cover assembly	○		
	1				CA02313-D119	Lower cover assembly	○		
	1				CA02313-D201	Lower cover assembly	○		
	1				CA02313-D211	Lower cover assembly	○		
	1				CA02313-D218	Lower cover assembly	○		
	1				CA02313-D219	Lower cover assembly	○		
	1				CA02312-D101	Lower cover assembly		○	
	1				CA02312-D111	Lower cover assembly		○	
	1				CA02312-D118	Lower cover assembly		○	
	1				CA02312-D119	Lower cover assembly		○	
	1				CA02312-D201	Lower cover assembly		○	
	1				CA02312-D211	Lower cover assembly		○	
	1				CA02312-D218	Lower cover assembly		○	
	1				CA02312-D219	Lower cover assembly		○	
	1- 6	1				CA02313-G001	Lower cover sub assembly	○	
1					CA02312-G004	Lower cover sub assembly		○	
1		1			CA02313-Y00103	Lower cover	○		
			1		CA02312-Y00103	Lower cover		○	
2			1		CA02313-Y030	Sound proof A	○		
				1	CA02312-Y111	Sound proof L		○	
3			2		CA02312-Y129	Rubber plate		○	
		1			CA02313-Y011	Shield plate	○		
4					CA02312-Y100	Shield plate		○	
		1			CA02313-Y005	Insulation sheet	○		
5					CA02312-Y101	Insulation sheet		○	
		1			CA20160-B203	Main board	⊙	⊙	RC93BA
6					CA20160-B801	Serial board	⊙	⊙	RS93BA
		5			F6-SN2TP3-8	Tapping screw	○	○	
7					F6-SNA3-06121	Screw	○	○	
		1			CA02313-Y014	Rod	○		
8					CA20167-B002	Pow (100V)	⊙	⊙	PW31AA
					CA20167-B402	Pow (100V for ASIA)	⊙	⊙	PW31AK
9					CA20167-B502	Pow (200V)	⊙	⊙	PW31BA
					CA20167-B902	Pow (200V for ASIA)	⊙	⊙	PW31BK
10		4			F6-SN2TP3-10	Tapping screw	○		
			3		F6-SN2TP3-10	Tapping screw		○	
11					CA02312-Y102	FG plate		○	
		1			CA02313-F016	AC inlet asseTbly	○		
12					CA02312-F105	AC inlet assembly		○	
		1			CA02313-G016	AC bracket assembly	○		
13			1		CA02312-G105	AC bracket assembly		○	
				1	CA02312-G010	TRM assembly	○		
14			2		F6-SSA3-08111	Screw	○	○	
				1	F6-SW2N4-08121	Screw	○	○	
15		1			F6-SN2TP3-8	Tapping screw	○		
				2	F6-SN2TP3-8	Tapping screw	○		
16					F6-SW2N4-08121	Screw	○	○	
		2			F6-N14-111	Nut	○		
17					F6-SW2N3-08121	Screw		○	
		1			CA02312-J101	ROM board	⊙	⊙	
18					CA02312-Y030	Support plate		○	

⊙: Recommended Spare Parts

3.4 Mechanism Assembly

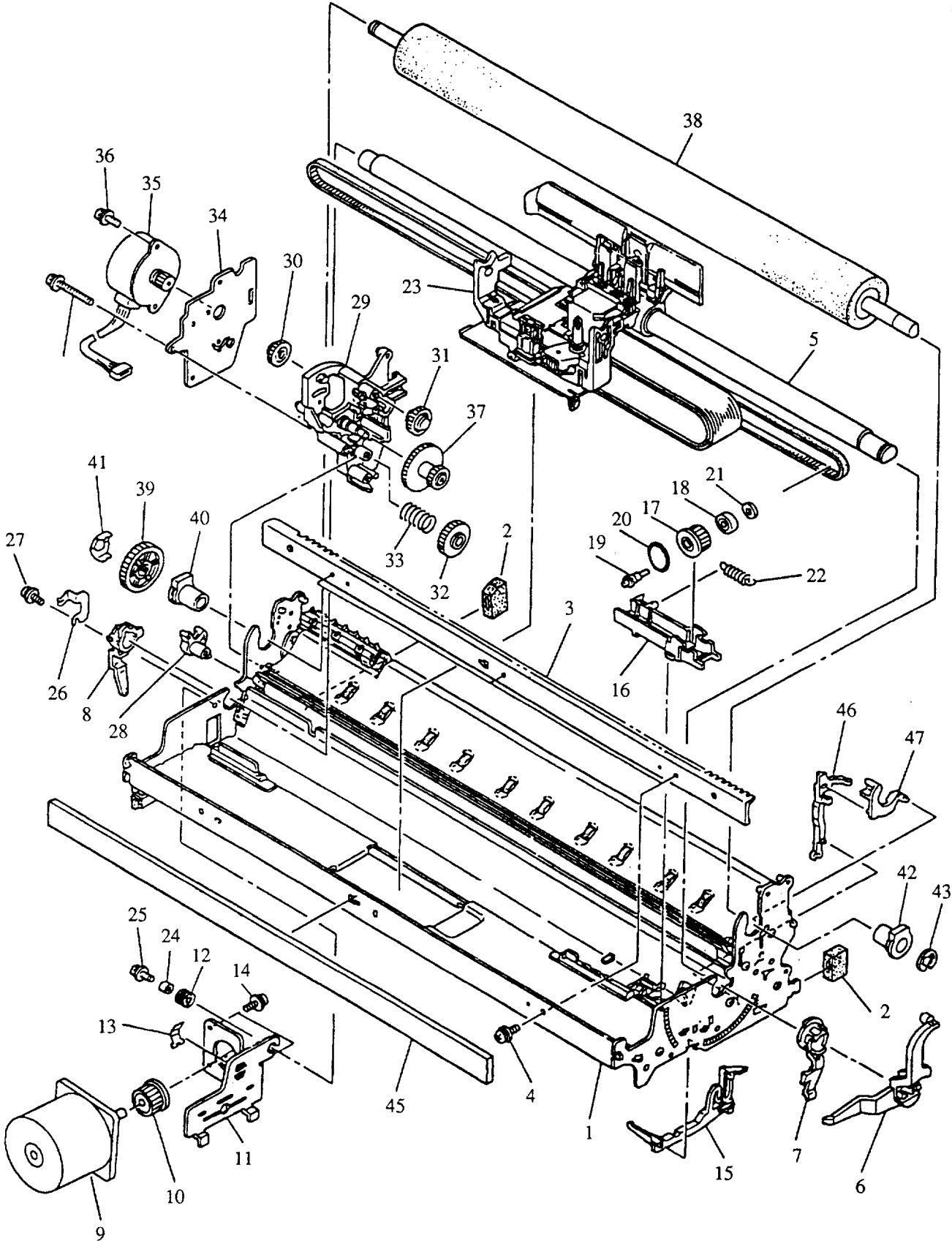


Mechanism Assembly

		Composition & Quantity		Specification	Parts name (Description)	DL3700	DL3800	Remarks
7	1			CA02312-F210	Printer mech. assembly	○		
	1			CA02312-F203	Printer mech. assembly		○	
1		1		CA02312-F211	Frame sub assembly	○		
		1		CA02312-F204	Frame sub assembly		○	
2		2		CA02312-Y250	Rubber bush	○	○	
3		1		CA02312-Y212	Front stay	○		
		1		CA02312-Y211	Front stay		○	
4		3		F6-SW2N3-08111	Screw	○	○	
5-7		1		CA02312-F302	Stay shaft assembly	○		
		1		CA02312-F301	Stay shaft assembly		○	
5			1	CA02312-Y302	Stay shaft	○		
		1		CA02312-Y301	Stay shaft		○	
6			1	CA02312-Y305	Copy control lever	○	○	
7			1	CA02312-Y308	Adjust lever R	○	○	
8		1		CA02312-Y307	Adjust lever L	○	○	
9-15		1		CA02312-F313	SP motor A assembly	○	○	
9-10			1	CA02312-G313	SP motor A sub assembly	○	○	
9			1	CA81003-1054	SP motor A	○	○	
10			1	CA02312-Y321	Drive pulley	○	○	
11			1	CA02312-Y314	SP motor bracket A	○	○	
12			1	CA02312-Y310	Rubber bush 1	○	○	
13			1	CA02312-Y306	FG plate A	○	○	
14			2	F6-SW2N4-10111	Screw	○	○	
15		1		CA02312-Y265	Actuator T		○	
16		1		CA02312-Y331	Tention bracket	○	○	
17-21		1		CA02312-G346	Tention pulley assembly	○		
17			1	CA02312-Y336	Tention pulley	○	○	
18			1	CT-R-1450ZZ	Bearing	○	○	
19			1	CA02312-Y347	Shaft	○	○	
20			1	CA02312-Y346	Flange	○	○	
21			1	CA98001-3674	C ring	○	○	
22		1		CA02312-Y332	Tension spring	○	○	
23		1		CA02312-F356	Carrier unit	○		
		1		CA02312-F355	Carrier unit		○	
24		1		CA02312-Y313	Spacer A	○	○	
25		1		F6-SW2N3-08111	Screw	○	○	
26		1		CA02312-Y304	FG shaft spring	○	○	
27		1		F6-SW2N3-08121	schew	○	○	
28		1		CA02312-Y531	Cam	○	○	
29-37		1		CA02312-F410	Gear assembly	○	○	
29			1	CA02312-Y410	Gear holder	○	○	
30			1	CA02312-Y421	Gear A	○	○	
31			1	CA02312-Y424	Gear D	○	○	
32			1	CA02312-Y425	Gear C	○	○	
33			1	CA02312-Y426	Gear spring	○	○	
34			1	CA02312-Y401	Motor bracket	○	○	
35			1	CA81003-1052	LF motor		○	
36			2	F6-SW2N3-08111	Screw	○	○	
37			1	CA02312-Y422	Gear B	○	○	
38-41		1		CA02312-F509	Platen assembly	○	○	
		1		CA02312-F502	Platen assembly		○	
38			1	CA02312-G509	Platen roll assembly	○		
			1	CA02312-G502	Platen roll assembly		○	
39			1	CA02312-Y508	Platen gear		○	
40			1	CA02312-Y506	Platen plain bearing	○	○	

○: Recommended Spare Parts

3.4 Mechanism Assembly (continued)

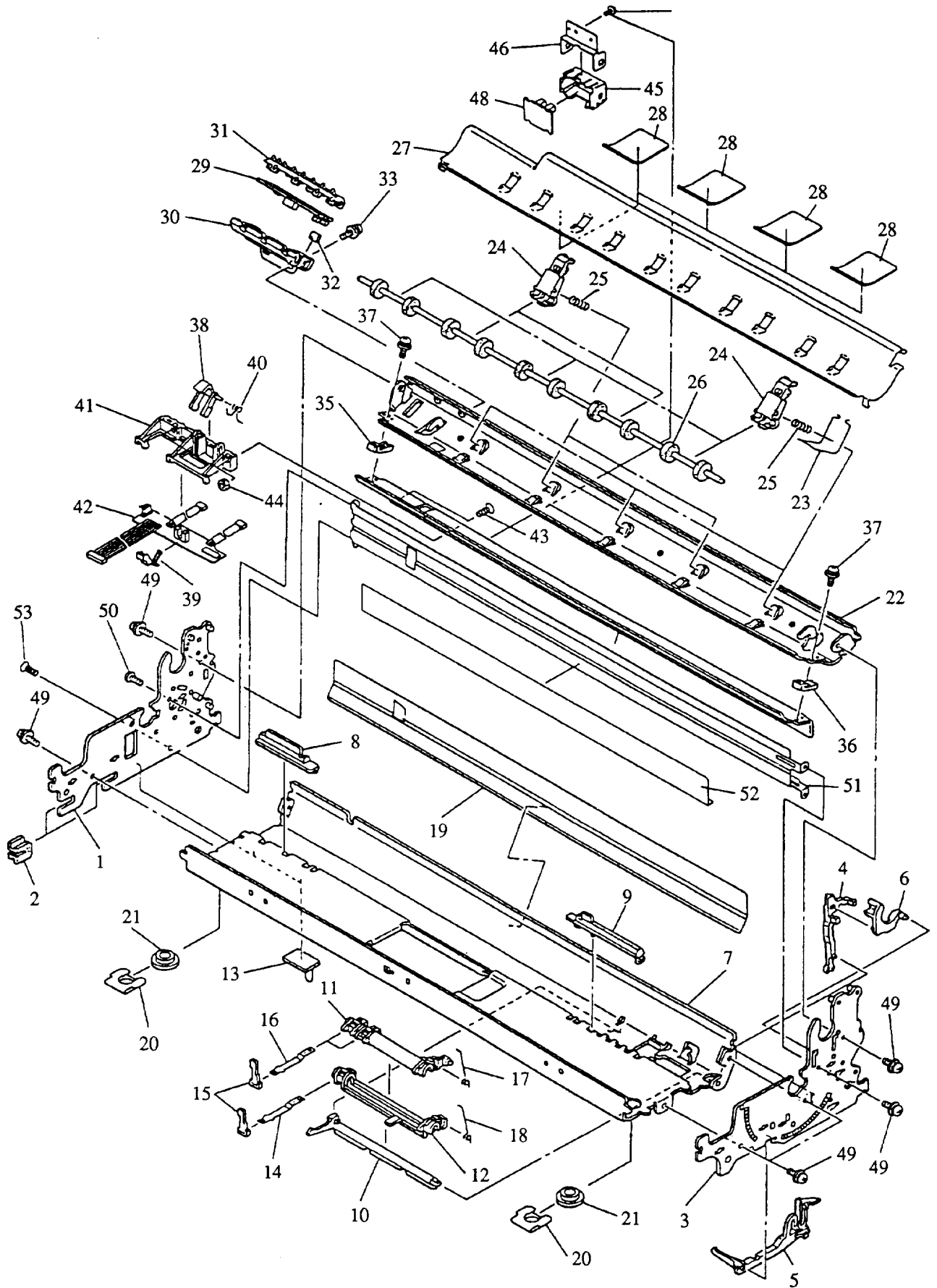


3.4 Mechanism Assembly (continued)

No.	Composition & Quantity			Specification	Parts name (Description)	DL3700	DL3800	Remarks
41		1		CA02312-Y507	Spacer R	○	○	
42	1			CA02312-Y506	Platen plain bearing	○	○	
43	1			F6-ER8-SUS	E ring	○	○	
44	1			F6-SW2N3-30111	Screw	○	○	
45	1			CA02313-Y030	Sound proof A	○		
	1			CA02312-Y111	Sound proof L		○	
46	1			CA02312-Y264	Actuator C		○	
47	1			CA02312-Y269	Actuator H		○	

○: Recommended Spare Parts

3.5 Frame Sub Assembly

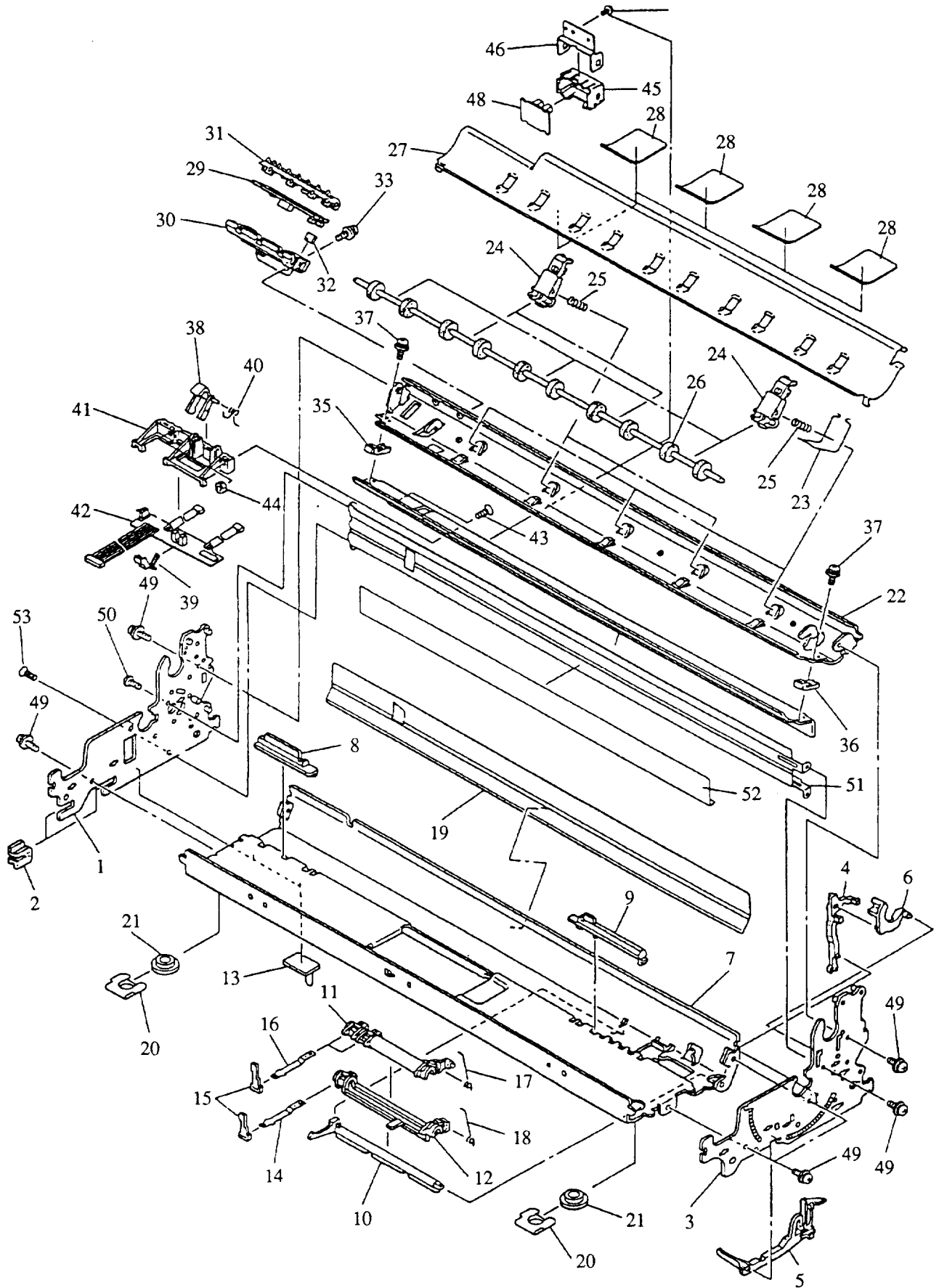


3.5 Frame Sub Assembly

No.	Composition & Quantity				Specification	Parts name (Description)	DL3700	DL3800	Remarks
1- 53	1				CA02312-F211	Frame sub assembly	○		
	1				CA02312-F204	Frame sub assembly		○	
	1	1			CA02312-G205	Side frame L assembly	○	○	
	2	2			CA02312-Y311	Rubber bush 2	○	○	
3- 6	1	1			CA02312-F209	Side frame R assembly	○		
	3	1			CA02312-G206	Side frame R assembly		○	
			1		CA02312-G206	Side frame R	○		
	4		1		CA02312-Y264	Actuator C	○		
	5		1		CA02312-Y265	Actuator T	○		
	6		1		CA02312-Y269	Actuator H	○		
7- 21	1	1			CA02312-F235	Main stay assembly	○		
					CA02312-F222	Main stay assembly		○	
	7		1		CA02312-Y235	Main stay	○		
			1		CA02312-Y221	Main stay		○	
	8		1		CA02312-Y226	Shield plate L		○	
	9		1		CA02312-Y227	Shield plate R	○	○	
	10		1		CA02312-Y261	Detect shaft	○	○	
	11		1		CA02312-Y262	Shield plate C	○	○	
	12		1		CA02312-Y263	Shield plate T	○	○	
	13		2		CA98001-0875	Cord clamp	○		
			3		CA98001-0875	Cord clamp		○	
	14		1		CA02312-Y266	Spring P	○	○	
	15		3		CA02312-Y267	Shield plate M	○	○	
	16		2		CA02312-Y266	Spring P	○	○	
	17		1		CA02312-Y268	Spring S	○	○	
	18		1		CA98001-Y270	Spring T	○	○	
	19		1		CA02312-Y568	Lever guide	○		
			1		CA02312-Y558	Lever guide		○	
	20		2		CA02313-Y006	FG spring	○		
	21		2		CA02313-Y007	Rubber foot B	○		
22- 49	1				CA02312-F238	Paper feeder assembly	○		
	1				CA02312-F232	Paper feeder assembly		○	
	22		1		CA02312-Y238	Rear stay T	○		
			1		CA02312-Y232	Rear stay T		○	
	23		2		CA02312-Y518	Spring T	○		
			3		CA02312-Y518	Spring T		○	
	24		3		CA02312-Y517	Holder T	○		
			5		CA02312-Y517	Holder T		○	
	25		3		CA02538-Y588	R.spring R	○		
			5		CA02312-Y515	R.spring R		○	
	26		1		CA02312-G511	Feed roller assembly	○		
			1		CA02312-G510	Feed roller assembly		○	
27- 28			1		CA02312-G522	Paper cradle assembly	○		
			1		CA02312-G519	Paper cradle assembly		○	
	27			1	CA02312-Y522	Paper cradle	○		
				1	CA02312-Y519	Paper cradle		○	
	28			2	CA02312-Y127	Damper	○		
				4	CA02312-Y127	Damper		○	
29- 32		1			CA02312-G542	Sensor T assembly	●	●	
	29			1	CA02312-G543	Sensor T sub assembly	○	○	
	30			1	CA02312-Y543	Sensor case A	○	○	
	31			1	CA02312-Y544	Sensor case B	○	○	
	32			1	CA02312-Y540	Cover R	○	○	
	33		2		F6-SBD3-08121	Screw	○	○	

●: Recommended Spare Parts

3.5 Frame Sub Assembly (continued)

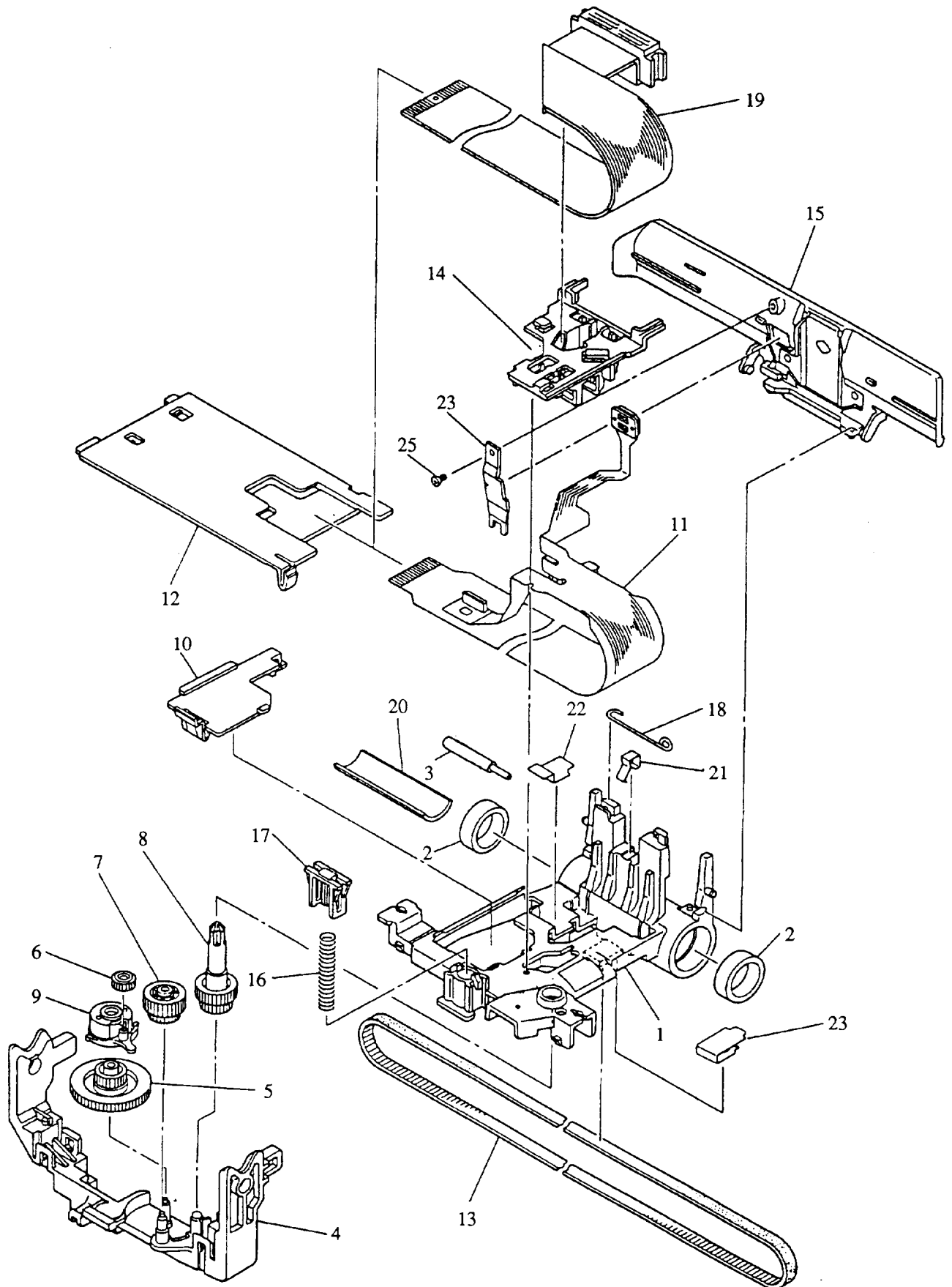


3.5 Frame Sub Assembly (continued)

No.	Composition & Quantity				Specification	Parts name (Description)	DL3700	DL3800	Remarks
34			1		CA02312-Y240	Rear stay B	○		
			1		CA02312-Y242	Rear stay B		○	
35			1		CA02312-Y236	Spacer L	○	○	
36			1		CA02312-Y237	Spacer R	○	○	
37			2		F6-SW2N3-08111	Screw	○	○	
38			1		CA02312-Y554	Sensor lever	○	○	
39			1		CA02312-Y556	Sensor lever B	○	○	
40			1		CA02312-Y552	Lever B spring	○	○	
41			1		CA02312-Y555	PCB holder	○	○	
42			1		CA02312-G550	Sensor sub assembly	○	○	
43			2		F6-SSA3-08111	Screw	○	○	
44			2		F6-N13-111	Nut	○	○	
45			1		CA02312-Y564	PCB cover	○	○	
46			1		CA02312-Y565	Holder	○	○	
47			1		F6-SBD3-08121	Screw	○	○	
48			1		CA02312-G566	Board assembly	○	○	
49	6				F6-SW2N3-08111	Screw	○	○	
50	1				F6-SNA3-08111	Screw	○	○	
51-52	1				CA02312-G246	Bottom plate assembly	○		
	1				CA02312-G244	Bottom plate assembly		○	
51		1			CA02312-Y246	Bottom feed plate	○		
		1			CA02312-Y244	Bottom feed plate		○	
52		1			CA02312-Y247	Bottom sheet	○		
		1			CA02312-Y245	Bottom sheet		○	
53	1				F6-SSA3-08111	Screw	○	○	

○: Recommended Spare Parts

3.6 Carrier Unit

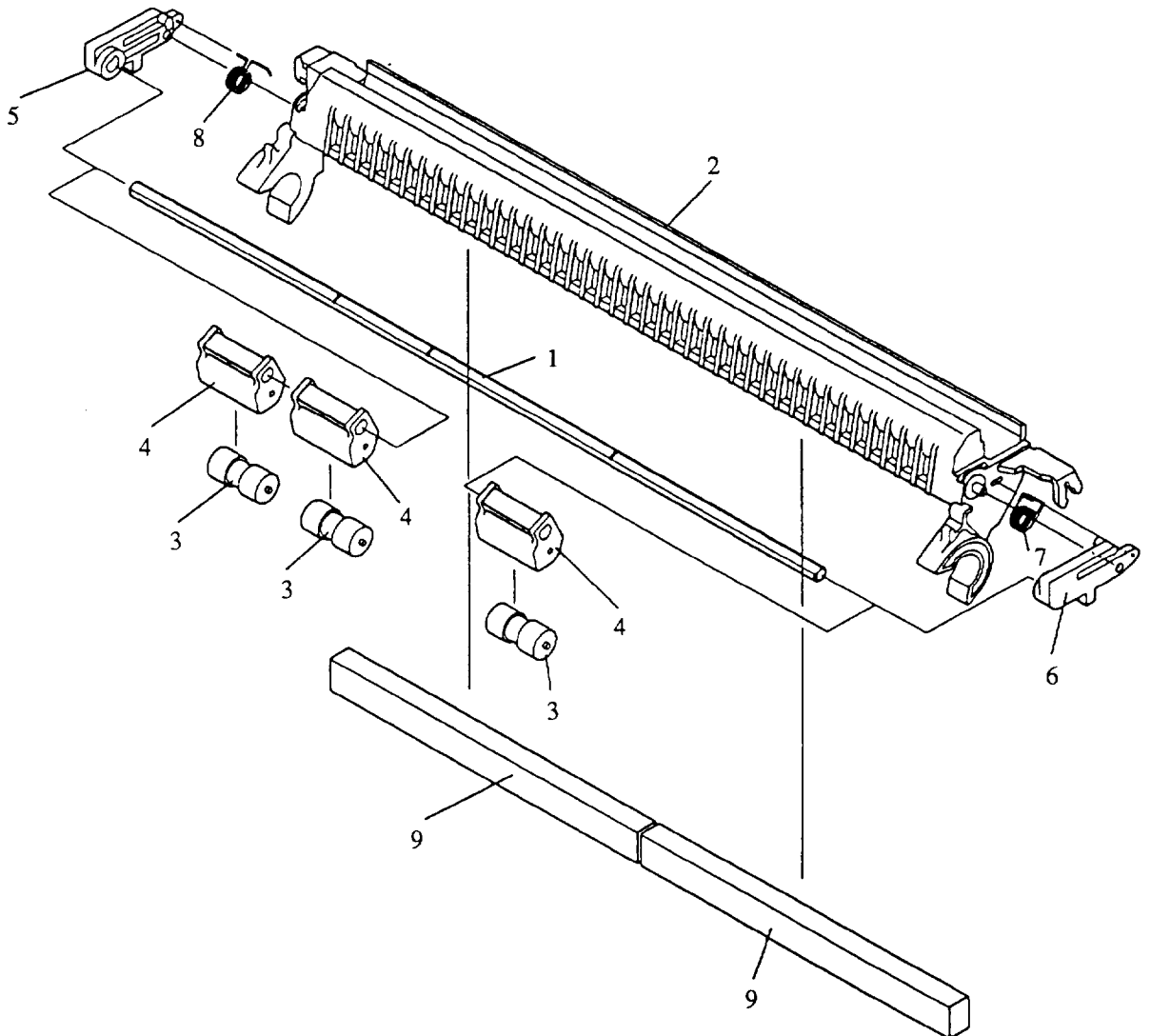
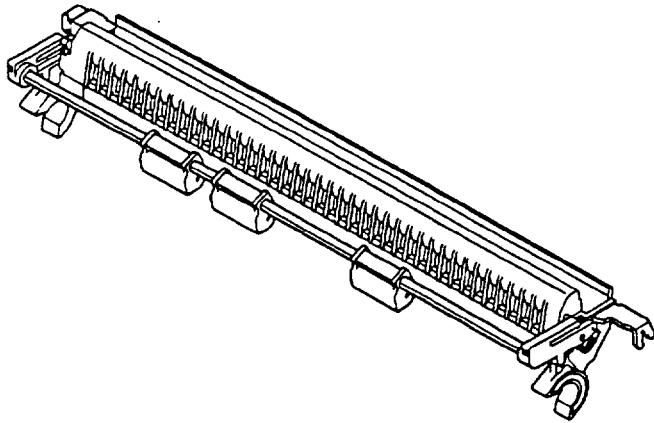


3.6 Carrier Unit

No.	Composition & Quantity				Specification	Parts name (Description)	DL3700	DL3800	Remarks
1- 25	1				CA02312-F356	Carrier unit	●		
	1				CA02312-F355	Carrier unit		●	
1- 3		1			CA02312-G353	Carrier frame assembly	○	○	
1- 2			1		CA02312-G350	Carrier frame assembly	○	○	
				1	CA02312-Y350	Carrier frame	○	○	
2				2	CA02312-Y352	Bush	○	○	
3			1		CA02312-Y359	Shaft L	○	○	
4 9	1				CA02312-F360	Ribbon feed assembly	○	○	
4			1		CA02312-Y354	Ribbon bracket	○	○	
5			1		CA02312-Y361	RF gear	○	○	
6			1		DB60-1164-X330	Gear C	○	○	
7			1		CA02312-Y363	Idle gear	○	○	
8			1		CA02312-Y364	RF shaft	○	○	
9			1		CA02312-Y365	Arm	○	○	
10	1				CA02312-Y388	Cover C	○	○	
11	1				CA02312-G380	Relay cable assembly	○	○	
12	1				CA02312-Y225	Cable holder	○	○	
	1				CA02312-Y223	CN cover	○	○	
13	1				CA81003-1063	Timing belt	○		
	1				CA81003-1062	Timing belt		○	
14	1				CA02312-Y384	Belt holder	○	○	
15	1				CA02312-G375	Card guide assembly	○	○	
16	1				CA02312-Y378	Ribbon spring	○	○	
17	1				CA02312-Y396	Ribbon spring holder	○	○	
18	1				CA02312-Y356	Spring	○	○	
19	1				CA02312-G387	Carrier cable assembly	○	○	
20	1				D860-1164-X304	Felt	○	○	
21	1				D860-1164-X317	Leaf spring	○	○	
22	1				CA02312-Y383	Insulation sheet A	○	○	
23	1				CA02312-Y386	Belt clamp	○	○	
24	1				CA02312-Z373	Sensor bracket	○	○	
25	1				CA98001-3453	Screw	○	○	

●: Recommended Spare Part

3.7 Bail Roller Unit

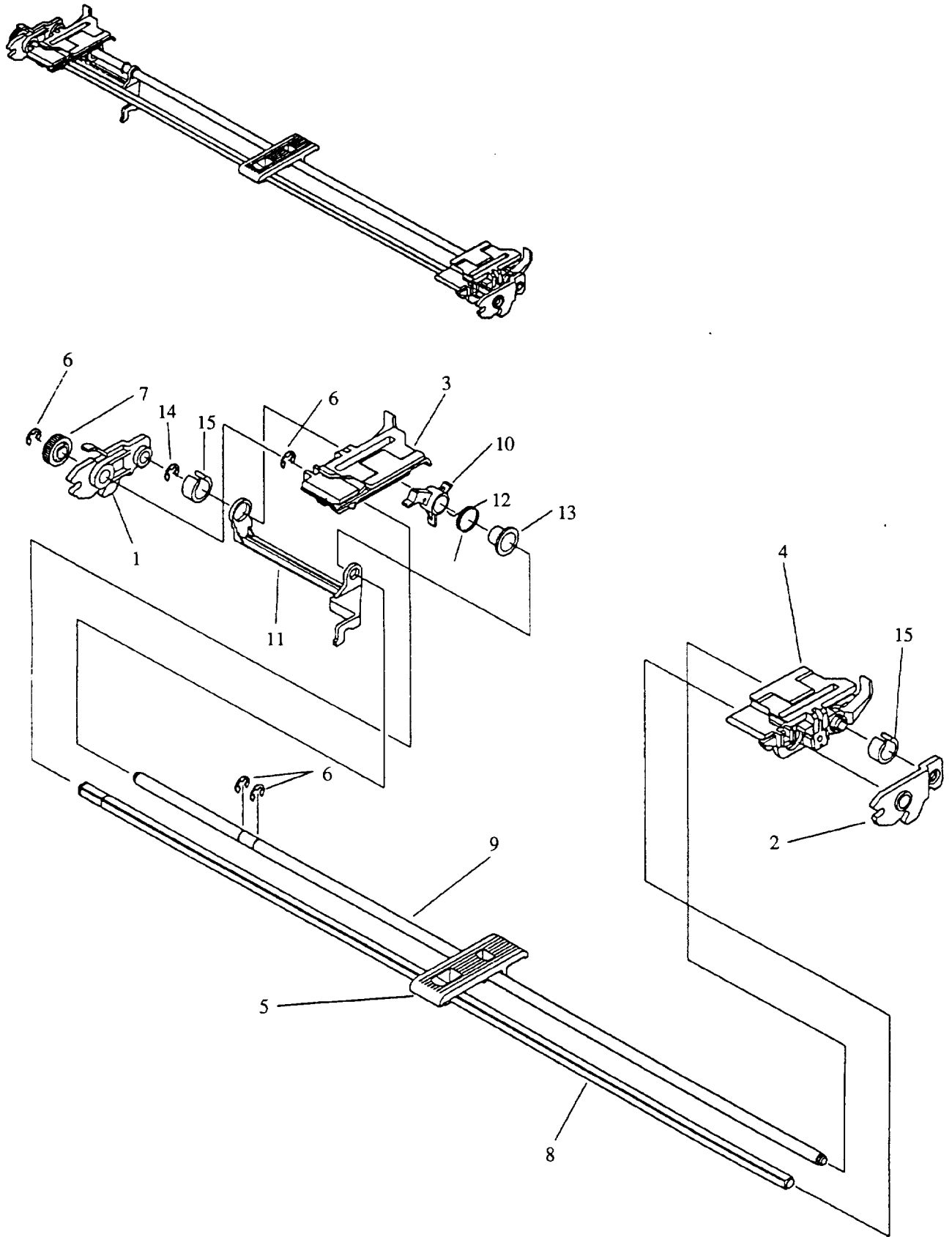


3.7 Bail Roller Unit

No.	Composition & Quantity		Specification	Parts name (Description)	DL3700	DL3800	Remarks
1-	9	1	CA02312-F651	Bail roller unit	○		80chr
	1	1	CA02312-Y652	Bail shaft	○		
	2	1	CA02312-Y653	Separator	○		
	3	3	D860-1156-X328	Bail roller	○		
	4	3	CA02312-Y655	Roller holder	○		
	5	1	D860-1156-X331	Bail lever L	○		
	6	1	D860-1156-X332	Bail lever R	○		
	7	1	CA02312-Y657	Spring R	○		
	8	1	CA02312-Y658	Spring L	○		
	9	2	CA02312-Y654	Sound proof Z	○		

○: Recommended Spare Parts

3.8 Tractor Unit

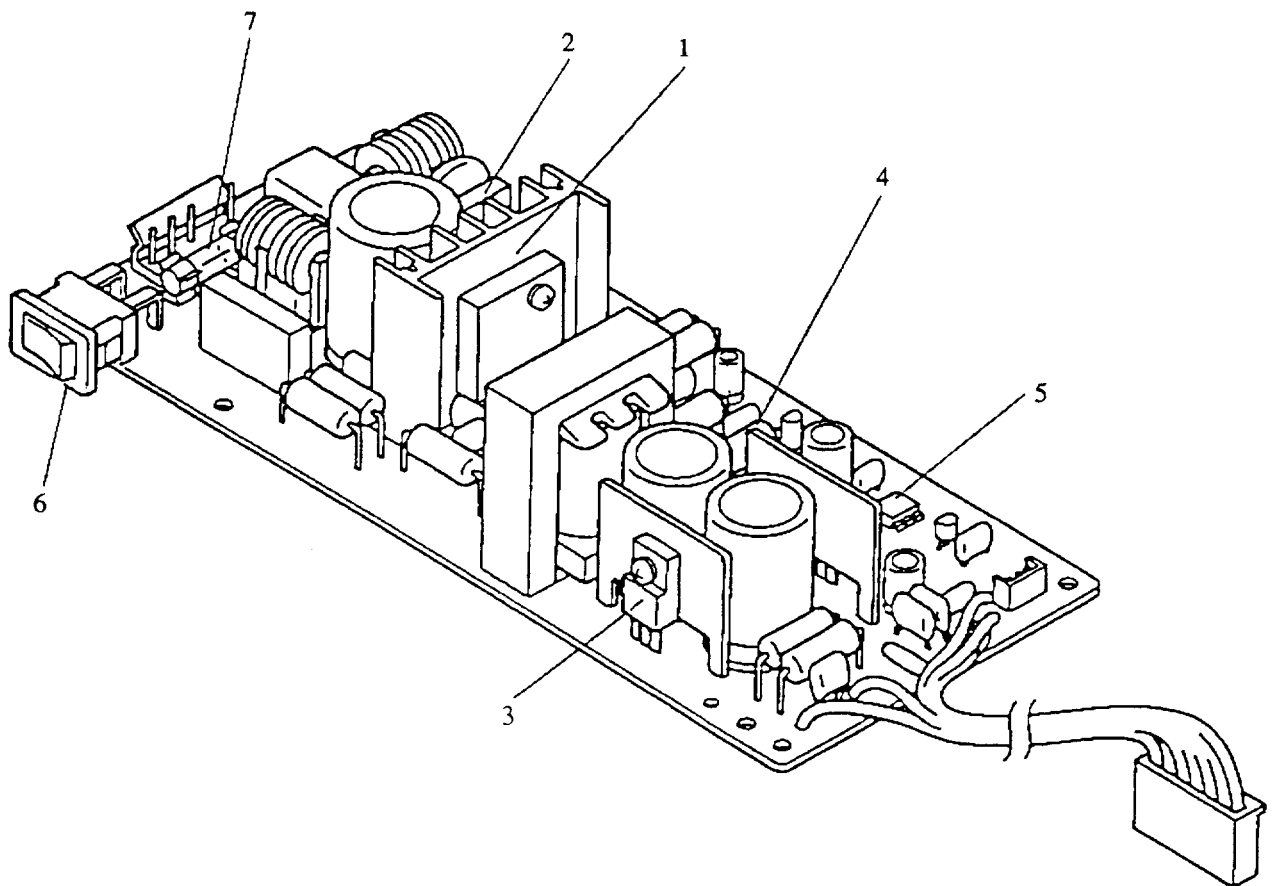


3.8 Tractor Unit

No.	Composition & Quantity		Specification	Parts name (Description)	DL3700	DL3800	Remarks
1- 15		1 1	CA02312-F595 CA02312-F560	Tractor unit Tractor unit	●	●	
		1	CA02312-Y593	Tractor frame L	○	○	
2		1	CA02312-Y594	Tractor frame R	○	○	
3		1	CA81003-109601	Tractor unit L	○		
		1	CA81003-109501	Tractor unit L		○	
4		1	CA81003-109602	Tractor unit R	○		
		1	CA81003-109502	Tractor unit R		○	
5		1	CA02312-Y597	Center guide	○	○	
6		4	F6-ER4-SUS	E ring	○	○	
7		1	CA02312-Y598	Tractor gear	○	○	
8		1	CA02312-Z591	Tractor shaft	○		
		1	CA02312-Y591	Tractor shaft		○	
9		1	CA02312-Z592	Tractor sub shaft	○		
		1	CA02312-Y596	Tractor sub shaft		○	
10		1	CA02312-Y560	PE lever	○	○	
11		1	CA02312-Y561	Actuator	○	○	
12		1	CA02312-Y563	Lever spring	○	○	
13		1	CA02312-Y562	Sleeve	○	○	
14		1	F6-ER5-SUS	E ring	○	○	
15		2	CA02312-Z597	Collar	○		

●: Recommended Spare Parts

3.9 Power Supply Unit

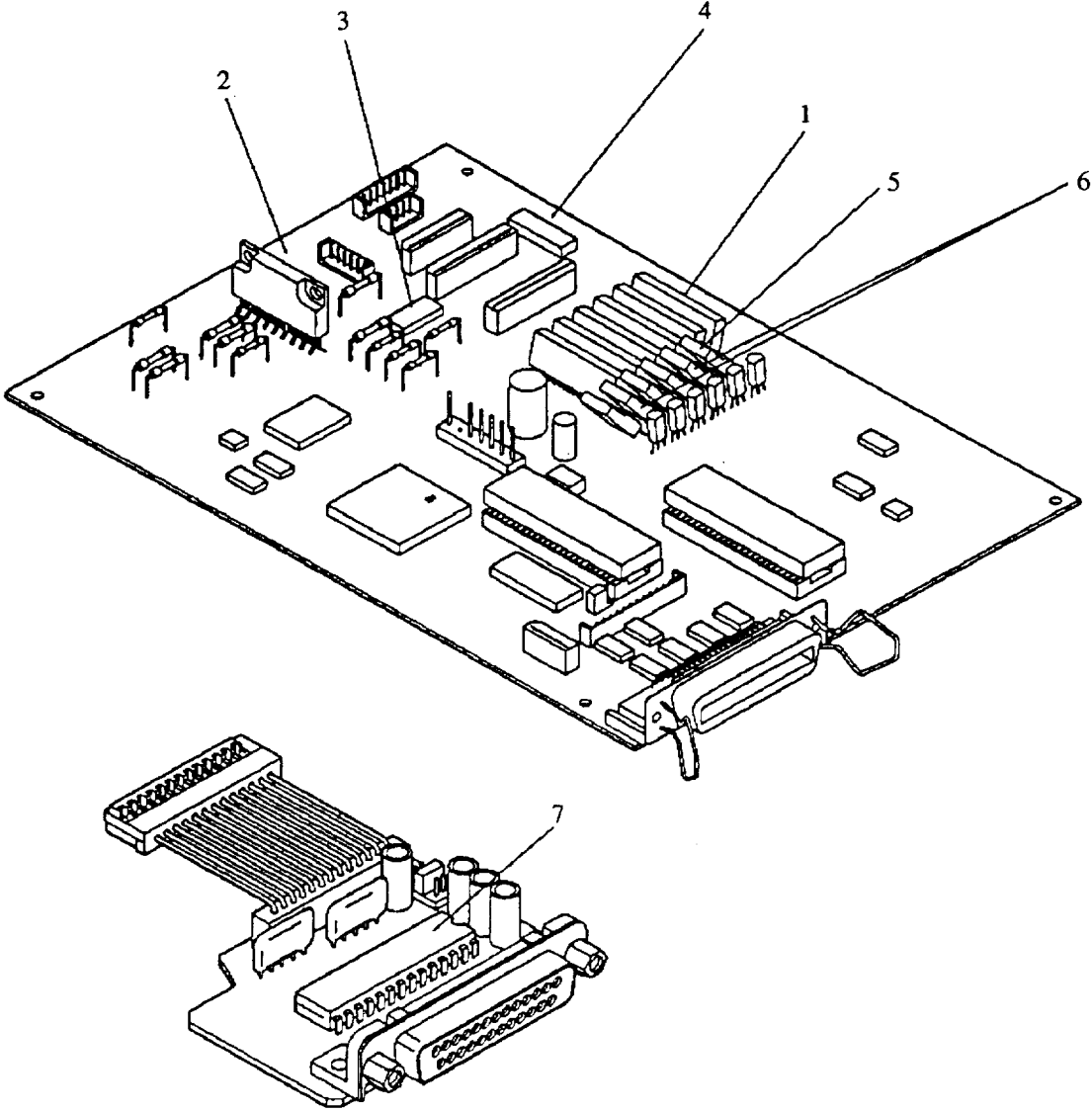


3.9 Power Supply Unit

No.	Composition & Quantity				Specification	Parts name (Description)			Remarks
							DL3700	DL3800	
	1				CA20167-B002	Pow supply unit	○		PW31AA PW31AK(for ASIA) PW31BA PW31BK(for ASIA)
	1				CA20167-B402	Pow supply unit	○		
	1				CA20167-B502	Pow supply unit		○	
	1				CA20167-B902	Pow supply unit		○	
1	1				CA98001-2611	Hybrid IC	○		STR-S5241G-F-SANKEN STR-S5841-SANKEN RBV406-SANKEN FML22S-SANKEN RK44-LFJ8-SANKEN S22MD1V-SHARP S22MD1VY-SHARP AJ7241B- MATSUSHITA 237006-Littelfuse 2183.15-Littelfuse
	1				CA98001-2973	Hybrid IC		○	
2	1				C50L-2130-0080	Rectifier	○	○	
3	1				CA98001-2580	Diode	○	○	
4	1				CA98001-2587	Diode	○	○	
5	1				C50L-6030-0401	Photo thyristor	○		
	1				CA98001-0962	Photo thyristor		○	
6	1				CA98001-2586	Switch	○	○	
7	1				CA98001-2878	Fuse	○	○	
	1				CA98001-3430	Fuse	○	○	

○: Recommended Spare Parts

3.10 Control Board



3.10 Control Board

No.	Composition & Quantity				Specification	Parts name (Description)			Remarks
							DL3700	DL3800	
	1				CA20160-B203	Main board	○	○	RC93BA Centro I/F RS-232C I/F
	1				CA20160-B801	Serial board	○	○	
1	6				CT-SMA4032-SANKEN	Transistor array	○	○	
	-				CT-SMA4032-LF1002 -SANKEN	Transistor array	○	○	
2	1				C76L-1170-0136	Hybrid IC	○	○	
3	1				CFUDN-2916LB-SANKEN	Hybrid IC	○	○	
4	1				CT-SDC03-V1-SANKEN	Transistor array	○	○	
5	4				CT-2SC4064-SANKEN	Transistor	○	○	
6	2				CT-4596E-ROHM	Transistor	○	○	
7	1				C76L-0700-0534	IC1	○	○	

○: Recommended Spare Parts

Free Manuals Download Website

<http://myh66.com>

<http://usermanuals.us>

<http://www.somanuals.com>

<http://www.4manuals.cc>

<http://www.manual-lib.com>

<http://www.404manual.com>

<http://www.luxmanual.com>

<http://aubethermostatmanual.com>

Golf course search by state

<http://golfingnear.com>

Email search by domain

<http://emailbydomain.com>

Auto manuals search

<http://auto.somanuals.com>

TV manuals search

<http://tv.somanuals.com>