

# THERMAL PRINTER PAPER HOLDER

## FTP-040HF/HS Holder Series

### ■ FEATURES

- This is a paper holder for 2-inch, 3-inch and 4-inch thermal printers, dedicated to specific thermo paper.
- With a structure having additional back tension, paper meandering is prevented and winding feed is decreased.
- This molded product, which is light and compact, is easy to handle.



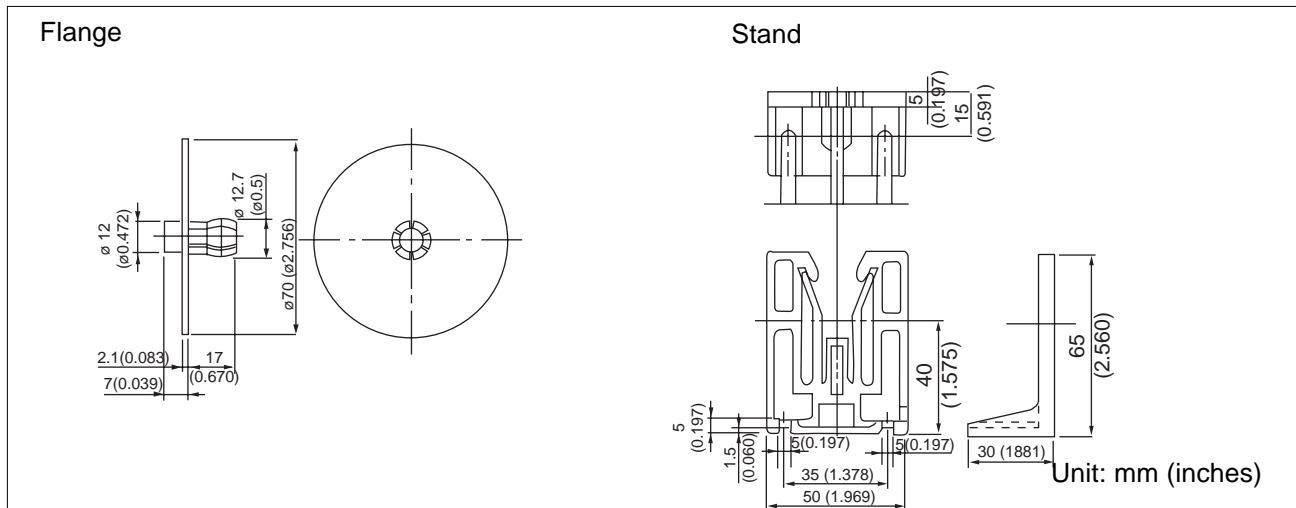
### ■ SPECIFIED PAPER

- This holder can be used for the following specified papers.

Ordering Part Number*		
FTP-020P0020	FTP-020PU001	FTP-020P001
FTP-030P0020	FTP-030PU001	
FTP-040P0020	FTP-040PU001	FTP-040P001

\* Inner diameter of core:  $\varnothing 12.5 \pm 0.5$  mm (0.492 $\pm$ 0.02 inches);  
outer diameter of roll:  $\varnothing 56$ mm (2.205 inches) maximum of  
specified thermo paper.

### ■ DIMENSIONS



# FTP-040HF/HS Holder Series

## ■ ORDERING PART NUMBERS

Flange: FTP-040HF

Stand: FTP-040HS

Note: For normal use, one flange and one stand are required at the left and right respectively.

### **Fujitsu Components International Headquarter Offices**

#### **Japan**

Fujitsu Component Limited  
Gotanda-Chuo Building  
3-5, Higashigotanda 2-chome, Shinagawa-ku  
Tokyo 141, Japan  
Tel: (81-3) 5449-7010  
Fax: (81-3) 5449-2626  
Email: [promothq@ft.ed.fujitsu.com](mailto:promothq@ft.ed.fujitsu.com)  
Web: [www.fcl.fujitsu.com](http://www.fcl.fujitsu.com)

#### **North and South America**

Fujitsu Components America, Inc.  
250 E. Caribbean Drive  
Sunnyvale, CA 94089 U.S.A.  
Tel: (1-408) 745-4900  
Fax: (1-408) 745-4970  
Email: [marcom@fcai.fujitsu.com](mailto:marcom@fcai.fujitsu.com)  
Web: [www.fcai.fujitsu.com](http://www.fcai.fujitsu.com)

#### **Europe**

Fujitsu Components Europe B.V.  
Diamantlaan 25  
2132 WV Hoofddorp  
Netherlands  
Tel: (31-23) 5560910  
Fax: (31-23) 5560950  
Email: [info@fceu.fujitsu.com](mailto:info@fceu.fujitsu.com)  
Web: [www.fceu.fujitsu.com](http://www.fceu.fujitsu.com)

#### **Asia Pacific**

Fujitsu Components Asia Ltd.  
102E Pasir Panjang Road  
#04-01 Citilink Warehouse Complex  
Singapore 118529  
Tel: (65) 6375-8560  
Fax: (65) 6273-3021  
Email: [fcal@fcal.fujitsu.com](mailto:fcal@fcal.fujitsu.com)  
[www.fcal.fujitsu.com](http://www.fcal.fujitsu.com)

© 2004 Fujitsu Components America, Inc. All company and product names are trademarks or registered trademarks of their respective owners. Rev. 11/15/2004.

## Free Manuals Download Website

<http://myh66.com>

<http://usermanuals.us>

<http://www.somanuals.com>

<http://www.4manuals.cc>

<http://www.manual-lib.com>

<http://www.404manual.com>

<http://www.luxmanual.com>

<http://aubethermostatmanual.com>

Golf course search by state

<http://golfingnear.com>

Email search by domain

<http://emailbydomain.com>

Auto manuals search

<http://auto.somanuals.com>

TV manuals search

<http://tv.somanuals.com>