

24V DRIVE, ULTRA HIGH SPEED LINE THERMAL PRINTER 3" MECHANISM, WITH CUTTER

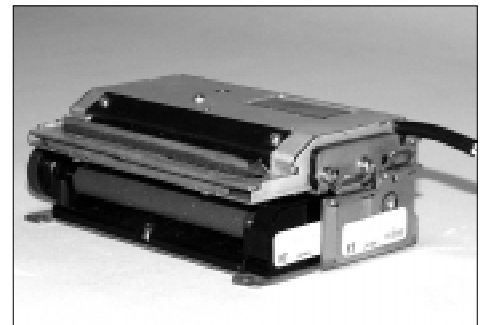
FTP-632MCL301/302

■ OVERVIEW

FTP-632MCL/FTP-622DCL/DSL Series is an ultra high speed line thermal printer driven by 24 VDC, printing on 3-inch wide paper (80 mm/85 mm).

This printer is compact and light weight, and the design allows easy head maintenance, head cleaning and head replacement.

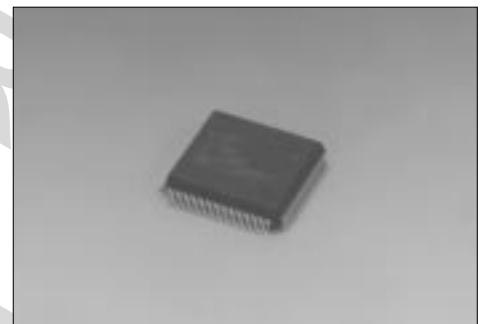
This printer is suitable for a variety of applications, such as POS terminals, ticket machines, coupon machines, label printers, medical instruments, etc. A printer with a specially designed cutter is also available.



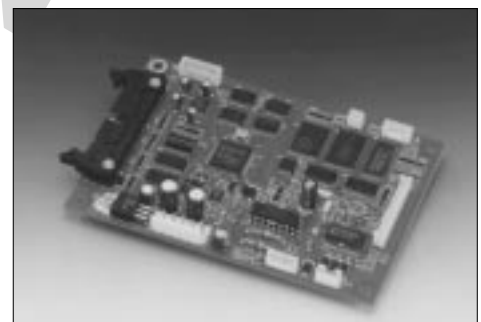
FTP-632MCL301

■ HIGHLIGHTS

- **Ultra high speed printing**
It can print at 80 mm/s (640 dotlines/s) maximum by using Fujitsu Components' unique head drive control.
- **Compact and lightweight**
This printer has a low profile of only 20 mm, and a light weight of approximately 94 g.
- **Low power consumption**
The peak current for head driving is approximately 2.9 A (at 80 mm/s printing speed, 50% printing ratio).
- **Easy head access**
It is designed for easy head cleaning and head replacement.
- **Paper auto loading function**
Thermal paper can be loaded without head-up lever operation.
- **ESC/POS™^{*1} Commands**
The commands conform to ESC/POS™.
- **Auto Cutter**
Printer with auto cutter (full cut/partial cut) is also available.
- **UL Recognized**
File No.E171434



FTP-622CU101



FTP-622DCL011

*1 ESC/POS™ is a registered trademark of SEIKO EPSON Corp.

■ DESIGNATION

Item		Part number
Printer mechanism	With Auto cutter	FTP-632MCL301/302 ^{*1}
Interface board	Centronics Standard with Auto cutter	FTP-622DCL011/111 ^{*2}
	Serial (RS-232C)	FTP-622DSL011/012 ^{*3}
LSI(MCU)		FTP-622CU101 ^{*4}

*1: Constructed with mechanism+cutter+attachment. 301 is for front paper insertion (curl path) and 302 is for rear paper insertion (straight path).

*2: 011 supports ANK and 101 supports ANK + Kanji.

*3: 012 supports ANK and 111 supports ANK + Kanji, + FLASH memory.

*4: CU101 supports Kanji and cutter control.

■ GENERAL SPECIFICATIONS

Item		Specifications
Part number		FTP-632MCL301/302
Printing method		Thermal-sensitive line dot method
Dot structure		576 dots/line
Dot pitch (Horizontal)		0.125 mm (8 dots/mm)—Dot density
Dot pitch (Vertical)		0.125 mm (8 dots/mm)—Line feed pitch
Effective printing area		72 mm
Paper width	MCL301	80 mm
	MCL302	85 mm
Paper thickness		60~100 μm ^{*1}
Cutting type		full or partial
Number of columns		48 columns/line (24×12 dot font)
Maximum printing speed		640 dotlines/s (80 mm/s)
Character types		Alphanumeric KANA: 159 International characters: 195 JIS KANJI (FTP-622DCL101/111): approximately 6800
Character composition, dimensions (H×W), Number of characters		24 × 12 dots, (3.0 × 1.5 mm), 48 columns 24 × 24 dots, (3.0 × 3.0 mm), 24 columns 16 × 8 dots, (2.0 × 1.0 mm), 72 columns 16 × 16 dots, (2.0 × 2.0 mm), 36 columns

(Continued)

(Continued)

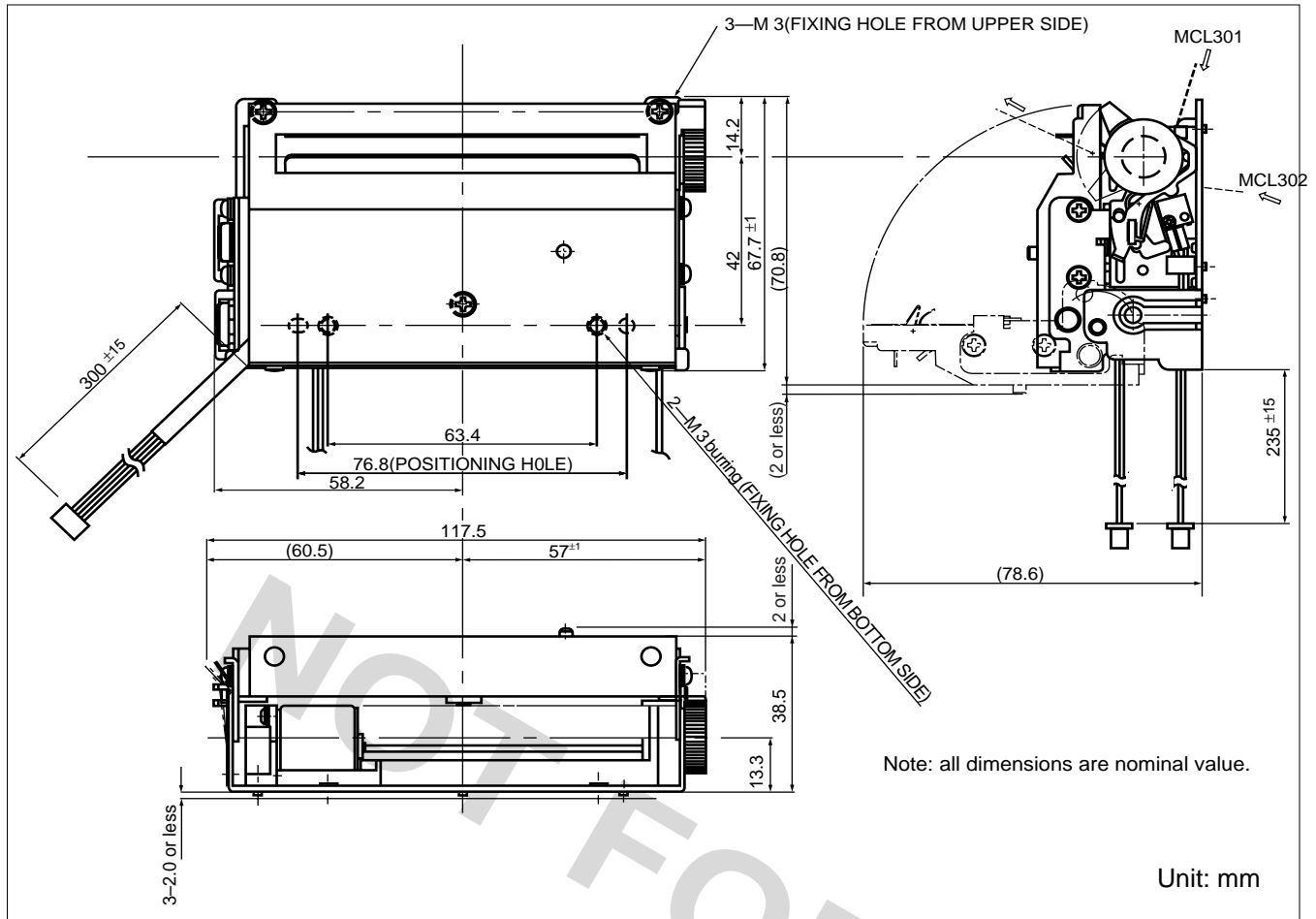
Item		Specifications
Part number		FTP-632MCL301/302
Interface		Centronics (ESC/POS™), RS232C
Power supply	For head	24 VDC ± 5%, Voltage Current : average ² (): Peak 1.11 (1.45) A (at 80 mm/s printing speed, 25% printing ratio) 0.81 (1.45) A (at 50 mm/s printing speed, 25% printing ratio) 0.75 (0.87) A (at 30 mm/s printing speed, 25% printing ratio)
	For motor	24 VDC ± 5%, 1.0 A maximum
	For cutter	24VDC ± 5%, 1.0 A maximum
	For logic	5 VDC ± 5%, 0.5 A maximum
Dimensions	Mechanism (cutter)	123 (W) × 70 (D) × 42 (H) mm (w/cutter)
	Interface board	131 (W) × 89 (D) × 24 (H) mm
Weight (Mechanism+Cutter)		approximately 380 g (w/cutter)
Expected life	Mechanism	Pulse durability : 1×10^8 pulse/dot (using Fujitsu's standard driving method) Wear resistance : 50 km (at 25% printing ratio)
	Cutter	3×10^5 cuts
Environmental conditions	Operating temperature	0 to +50°C ³
	Operating humidity	20 to 85% RH (no condensation)
	Storage temperature	-20 to +60°C (excluding paper)
	Storage humidity	5 to 95% RH (no condensation)
Detection	Head temperature	By thermistor (applied energy control, abnormal temperature detection)
	Paper out/Mark detect	By photointerrupter
	Head-up	By microswitch
Recommended thermal sensitive paper		For front insertion use (80 mm width) : FTP-030PU001, FTP-030P0701 For rear insertion use (85 mm width) : FTP-030P0020, FTP-030P0702 *Recommended papers · Oji Paper : PD150R, PD160R, PD170R · NIPPON Paper : TF50KS-E, TF60KS-E, TF60KJ-R · MITSUBISHI Paper Mills : P220VBB-1, AFP-235

*1: There may be exceptions.

*2: 24 VDC, minimum head resistance.

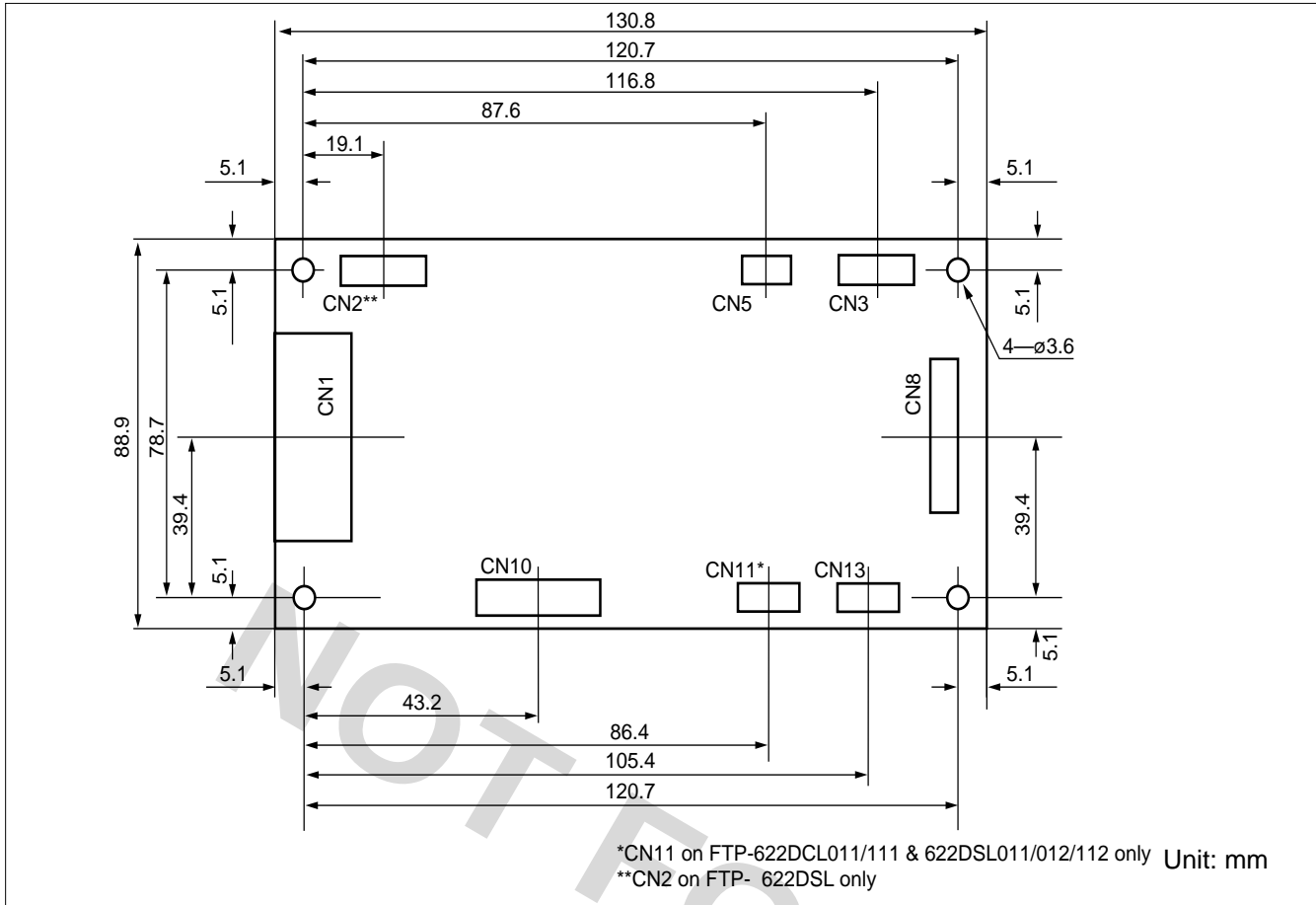
*3: Guarantee: +5°C ~+40°C.

Mechanism with cutter



NOT FOR NEW DESIGN

Interface board



■ FUNCTION

ITEM		ITEM	
1.	Test printing	8.	Cutter trouble detection
2.	Paper-out detection	9.	Motor power save
3.	Paper near end detection	10.	Mark detection
4.	Head-up detection	11.	MCU trouble detection
5.	Abnormal temperature detection of thermal head	12.	Power on/off sequence protection
6.	Blown fuse detection	13.	Motor protection
7.	Abnormal voltage detection of head	14.	Hardware timer

■ INTERFACE, COMMAND, OPTIONS

Please refer to the FTP-622DCL DATA SHEET and the FTP-622DSL DATA SHEET for Interface, Command, and Options.

Fujitsu Components International Headquarter Offices

Japan

Fujitsu Component Limited
Gotanda-Chuo Building
3-5, Higashigotanda 2-chome, Shinagawa-ku
Tokyo 141, Japan
Tel: (81-3) 5449-7010
Fax: (81-3) 5449-2626
Email: promothq@ft.ed.fujitsu.com
Web: www.fcl.fujitsu.com

North and South America

Fujitsu Components America, Inc.
250 E. Caribbean Drive
Sunnyvale, CA 94089 U.S.A.
Tel: (1-408) 745-4900
Fax: (1-408) 745-4970
Email: marcom@fcai.fujitsu.com
Web: www.fcai.fujitsu.com

Europe

Fujitsu Components Europe B.V.
Diamantlaan 25
2132 WV Hoofddorp
Netherlands
Tel: (31-23) 5560910
Fax: (31-23) 5560950
Email: info.marketing@fceu.fujitsu.com
Web: www.fceu.fujitsu.com

Asia Pacific

Fujitsu Components Asia Ltd.
102E Pasir Panjang Road
#04-01 Citilink Warehouse Complex
Singapore 118529
Tel: (65) 375-8560
Fax: (65) 273-3021
Email: fcal@fcal.fujitsu.com
www.fcal.fujitsu.com

© 2001 Fujitsu Components America, Inc. All company and product names are trademarks or registered trademarks of their respective owners. Rev. 09/2001

Free Manuals Download Website

<http://myh66.com>

<http://usermanuals.us>

<http://www.somanuals.com>

<http://www.4manuals.cc>

<http://www.manual-lib.com>

<http://www.404manual.com>

<http://www.luxmanual.com>

<http://aubethermostatmanual.com>

Golf course search by state

<http://golfingnear.com>

Email search by domain

<http://emailbydomain.com>

Auto manuals search

<http://auto.somanuals.com>

TV manuals search

<http://tv.somanuals.com>