

24V DRIVE, HIGH SPEED THERMAL PRINTER

FTP-601 Series

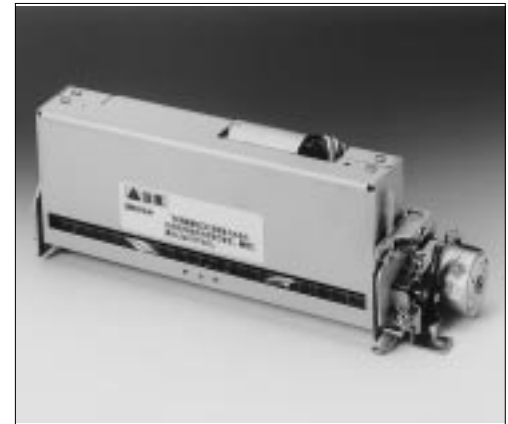
5.5 INCH TYPE

FTP-651MCL101/102/301/302

■ OVERVIEW

The FTP-651 MCL Series is an ultra high speed line thermal printer driven by 24 VDC, printing on 5.5-inch wide paper. The printer is available with cutter.

The FTP-651 MCL Series can be used for a variety of applications, such as POS terminals, ticket issuing terminals, label printers, banking terminals, and measurement, medical equipment, and hard copy of CRT.



■ HIGHLIGHTS

- High speed printing at 50mm/sec. (400 dotlines/sec.)
- Easy head cleaning and head replacement
- Paper auto loading function
- High resolution printing for 15 - 20 inch CRT (1280 x 1024, 1024 x 768)
- Available with auto cutter (full cut)
- Two types of paper routes, front or bottom feed

■ PART NUMBERS

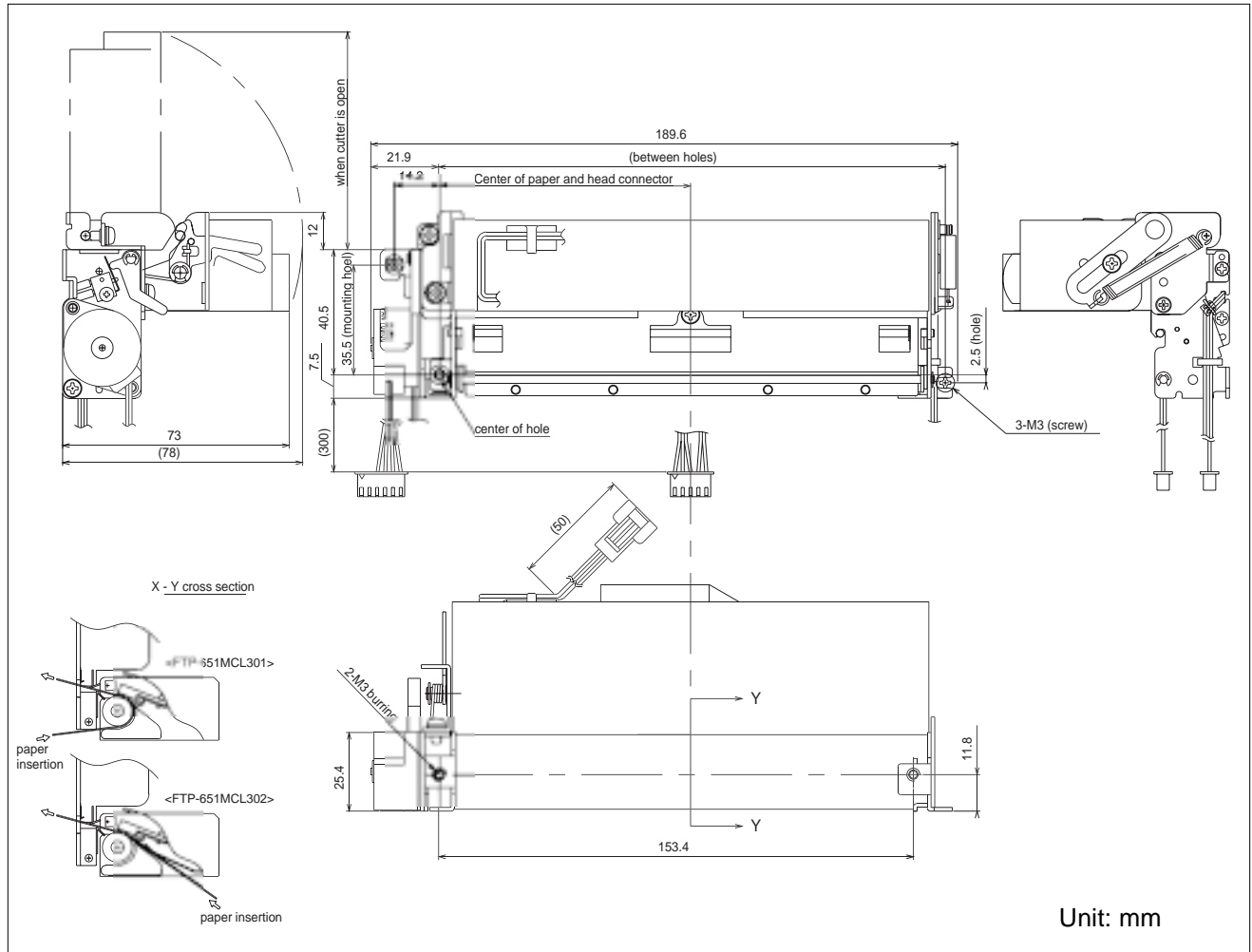
| Item | Part Number |
|--|---|
| Printer Mechanism | FTP-651MCL101(front feed) FTP-651MCL102 (rear feed) |
| Printer Mechanism for cutter (cutter is not included) | FTP-651MCL301 (front feed) FTP-651MCL302 (rear feed) |
| Cutter | FTP-651CT001 |

FTP-651MCL Series

■ SPECIFICATIONS

| Item | Specification | |
|-------------------------------------|--|---|
| Printing method | Thermal-sensitive line dot method | |
| Dot structure | 1088 dots/line | |
| Dot density / line feed pitch | 0.125mm (8 dots/mm) | |
| Effective printing area | 136 mm | |
| Number of columns | 136 ANK characters (max.) | |
| Paper thickness | 60 to 100µm | |
| Maximum printing speed | 50 mm/sec. (400 dotlines/sec.) | |
| Cutter | Method | Guillotine |
| | Type | Full cut |
| | Length min. | 20mm |
| Operate Voltage | For head | 24 VDC ± 5% (average current 0.79 (1.3A) peak at print ratio 12.5%) |
| | For motor/cutter | 24 VDC ± 5%, 1 A max. |
| | For logic | 5 VDC ± 5%, 0.5 A max. |
| Dimensions (W x D x H) | 190 x 60 x 73 mm | |
| Weight (mechanism + cutter) | approximately 770g (380g + 390g) | |
| Expected Life | Head | Pulse durability: 1 x 10 ⁸ pulse, Wear resistance: 50km (at 25% printing ratio) |
| | Cutter | 300,000 cuts |
| Environmental Conditions | Operating temperature | +5° C to +40° C temperature range for guaranteed printing density. It can operate at 0° C to +40° C |
| | Operating humidity | 20 to 85% RH (no condensation) |
| | Storage temperature | -20° C to +60° C (excluding paper) |
| | Storage humidity | 5 to 90% RH (no condensation) |
| Detection | Head | By thermistor (applied temperature control, abnormal temperature detection) |
| | Paper | By photointerruptor |
| | Head-up | By microswitch |
| | Cut | By microswitch |
| Paper width | 142±0.5 mm | |
| Recommended thermal sensitive paper | PD105R, PD170R, PD160R-N (Oji paper) AFP-235B | |

■ SPECIFICATIONS



Note: All dimensions are nominal value. () means just reference

Fujitsu Components International Headquarter Offices

Japan

Fujitsu Component Limited
Gotanda-Chuo Building
3-5, Higashigotanda 2-chome, Shinagawa-ku
Tokyo 141, Japan
Tel: (81-3) 5449-7010
Fax: (81-3) 5449-2626
Email: promothq@ft.ed.fujitsu.com
Web: www.fcl.fujitsu.com

North and South America

Fujitsu Components America, Inc.
250 E. Caribbean Drive
Sunnyvale, CA 94089 U.S.A.
Tel: (1-408) 745-4900
Fax: (1-408) 745-4970
Email: marcom@fcai.fujitsu.com
Web: www.fcai.fujitsu.com

Europe

Fujitsu Components Europe B.V.
Diamantlaan 25
2132 WV Hoofddorp
Netherlands
Tel: (31-23) 5560910
Fax: (31-23) 5560950
Email: info@fceu.fujitsu.com
Web: www.fceu.fujitsu.com

Asia Pacific

Fujitsu Components Asia Ltd.
102E Pasir Panjang Road
#04-01 Citilink Warehouse Complex
Singapore 118529
Tel: (65) 6375-8560
Fax: (65) 6273-3021
Email: fcal@fcal.fujitsu.com
www.fcal.fujitsu.com

Free Manuals Download Website

<http://myh66.com>

<http://usermanuals.us>

<http://www.somanuals.com>

<http://www.4manuals.cc>

<http://www.manual-lib.com>

<http://www.404manual.com>

<http://www.luxmanual.com>

<http://aubethermostatmanual.com>

Golf course search by state

<http://golfingnear.com>

Email search by domain

<http://emailbydomain.com>

Auto manuals search

<http://auto.somanuals.com>

TV manuals search

<http://tv.somanuals.com>