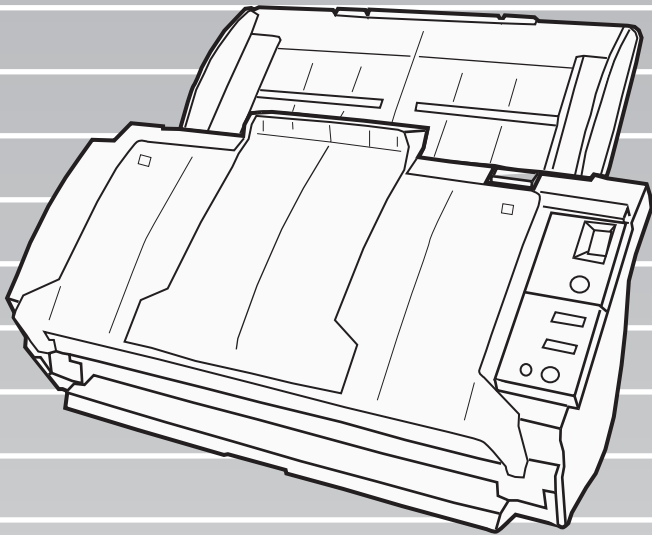




P3PC-1072-03EN

fi-5110C Image Scanner



Getting Started

FUJITSU

CONTENTS

■ Regulatory Information	ii
■ Note, Liability	iv
■ Safety Precautions	v
Chapter 1 PREPARING THE SCANNER.....	1
1.1 Checking the Contents of the Scanner Package.....	1
1.2 Names of Parts	1
1.3 Operator Panel.....	2
Chapter2 INSTALLATION OF THE SCANNER.....	3
2.1 Installing the Scanner Application	3
2.2 Installing the Scanner	9
2.3 Connecting the USB Cable.....	10
2.4 Confirming Installation	11
Appendix 1 TROUBLESHOOTING.....	AP-1
Appendix 2 DAILY CARE	AP-4
Appendix 3 REPLACING CONSUMABLES.....	AP-5

INTRODUCTION

Thank you for purchasing the fi-5110C Duplex Color Scanner.

This document describes how to handle fi-5110C Duplex Color Scanner and basic operation methods. Before you start using fi-5110C Duplex Color Scanner, be sure to thoroughly read this manual to ensure correct use.

The "Operator's Guide" is stored on the Setup Disk. The guide provides useful and detailed information on Operations when you would like to using advanced features, daily maintenance of the scanner, replacement of consumables. Please also read the Operator's Guide for your reference.

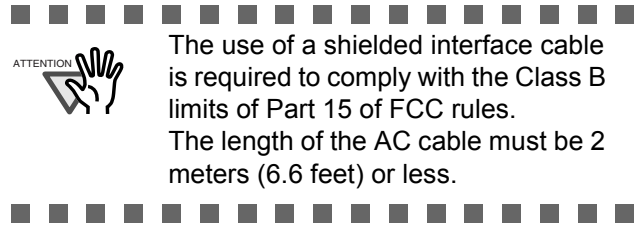
■ Regulatory Information

FCC declaration

This equipment has been tested and found to comply with the limits for a Class B digital device, pursuant to Part 15 of the FCC Rules. These limits are designed to provide reasonable protection against harmful interference in a residential installation. This equipment generates, uses, and can radiate radio frequency energy and, if not installed and used in accordance with the instruction manual, may cause harmful interference to radio communications. However, there is no guarantee that interference will not occur in a particular installation. If this equipment does cause harmful interference to radio or television reception, which can be determined by turning the equipment off and on, the user is encouraged to try to correct the interference by one or more of the following measures:

- Reorient or relocate the receiving antenna.
- Increase the separation between the equipment and receiver.
- Connect the equipment into an outlet on a circuit different from that to which the receiver is located.
- Consult your dealer or an experienced radio/TV technician.

FCC warning: Changes or modifications not expressly approved by the party responsible for compliance could void the user's authority to operate the equipment.



The use of a shielded interface cable is required to comply with the Class B limits of Part 15 of FCC rules.

The length of the AC cable must be 2 meters (6.6 feet) or less.

Canadian DOC Regulations

This digital apparatus does not exceed the Class B limit for radio noise emissions from digital apparatus set out in the Radio interference Regulations of the Canadian Department of Communications.

This Class B digital apparatus complies with Canadian ICES-003.

Le présent appareil numérique n'émet pas de parasites radioélectriques dépassant les limites applicables aux appareils numériques de la classe B et prescrites dans le Règlement sur le brouillage radioélectrique dictées par le Ministère des Communications du Canada.

Cet appareil numérique de la classe B est conforme à la norme NMB-003 du Canada.

Bescheinigung des Herstellers / Importeurs

Für den fi-5110C wird folgendes bescheinigt:

- In Übereinstimmung mit den Bestimmungen der EN45014(CE) funkentstört
- Maschinenlärminformationsverordnung 3. GPSGV: Der höchste Schalldruckpegel beträgt 70 dB (A) oder weniger, gemäß EN ISO 7779.

International ENERGY STAR® Program

As an ENERGY STAR® Partner, PFU LIMITED has determined that this product meets the ENERGY STAR® guidelines for energy efficiency.



The International ENERGY STAR® Office Equipment Program is an international program that promotes energy saving through the

penetration of energy efficient computers and other office equipment. The program backs the development and dissemination of products with functions that effectively reduce energy consumption. It is an open system in which business proprietors can participate voluntarily. The targeted products are office equipment such as computers, monitors, printers, facsimiles, copiers, scanners, and multifunction devices. Their standards and logos are uniform among participating nations.

Use in High-safety Applications

This product has been designed and manufactured on the assumption that it will be used in office, personal, domestic, regular industrial, and general-purpose applications. It has not been designed and manufactured for use in applications (simply called "high-safety applications" from here on) that directly involve danger to life and health when a high degree of safety is required, for example, in the control of nuclear reactions at nuclear power facilities, automatic flight control of aircraft, air traffic control, operation control in mass-transport systems, medical equipment for sustaining life, and missile firing control in weapons systems, and when provisionally the safety in question is not ensured. The user should use this product with adopting measures for ensuring safety in such high-safety applications. PFU LIMITED assumes no liability whatsoever for damages arising from use of this product by the user in high-safety applications, and for any claims or compensation for damages by the user or a third party.

About the Use of Mercury



Lamp(s) inside this product contain mercury and must be recycled or disposed of according to local, state, or federal laws.

To avoid unexpected injury, read the following carefully.

Doing the following actions may result in serious personal injuries:

- Do not put the substance contained in the lamp in your mouth as it has mercury.
- Do not breathe the chemical liquid contained in the scanner lamps.
- Do not incinerate, crush, or shred the lamps or scanner parts.

Trademarks

Microsoft, Windows, and Windows NT are registered trademarks of Microsoft Corporation in the United States and/or other countries.

ISIS and QuickScan are trademarks or registered trademarks of EMC Corporation in the United States.

Adobe, the Adobe logo, and Acrobat are either registered trademarks of Adobe Systems Incorporated in the United States and/or other countries.

Other product names are the trademarks or registered trademarks of the respective companies.

How Trademarks Are Indicated In This Manual

References to operating systems (OS) and applications are indicated as follows:

Windows 95	Microsoft® Windows® 95 operating system
Windows 98	Microsoft® Windows® 98 operating system.
Windows Me	Microsoft® Windows® Millennium Edition operating system.
Windows NT 4.0	Microsoft® Windows® NT 4.0 Server operating system, Microsoft® Windows® NT 4.0 Workstation operating system.
Windows 2000	Microsoft® Windows® 2000 Professional operating system.
Windows XP	Microsoft® Windows® XP Professional operating system, Microsoft® Windows® XP Home Edition operating system.

Where there is no distinction between the different versions of the above operating system, the general term "Windows " is used.

Adobe Acrobat 7.0	Adobe® Acrobat® 7.0 Standard
-------------------	------------------------------

Manufacturer

PFU LIMITED

International Sales Dept., Imaging Business
Division, Products Group
Solid Square East Tower, 580 Horikawa-cho,
Saiwai-ku, Kawasaki-shi Kanagawa 212-8563,
Japan
Phone : (81-44) 540-4538

All Rights Reserved, Copyright© PFU LIMITED 2006

■ Note, Liability

BEFORE USING THIS PRODUCT, PLEASE READ THIS MANUAL CAREFULLY. IF THIS PRODUCT IS NOT USED CORRECTLY, UNEXPECTED INJURY CAN OCCUR TO USERS OR BYSTANDERS.

Keep this manual in a safe place so that it can be easily referred to during use of this product.

While all efforts have been made to ensure the accuracy of all information in this manual, PFU assumes no liability to any party for any damage caused by errors or omissions or by statements of any kind in this manual, its updates or supplements, whether such errors are omissions or statements resulting from negligence, accidents, or any other cause. PFU further assumes no liability arising from the application or use of any product or system described herein; nor any liability for incidental or consequential damages arising from the use of this manual. PFU disclaims all warranties regarding the information contained herein, whether expressed, implied, or statutory.

Warning Indications Used In This Manual

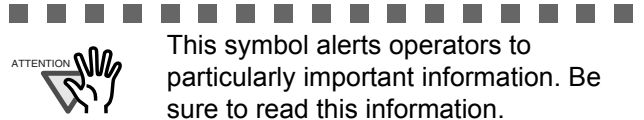


This indication alerts operators to an operation that, if not strictly observed, may result in severe injury or death.

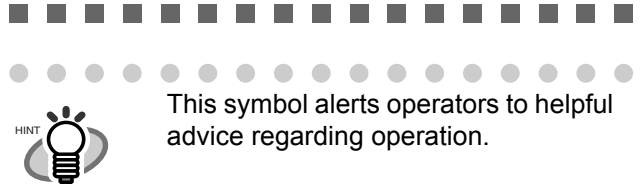


This indication alerts operators to an operation that, if not strictly observed, may result in safety hazards to personnel or damage to equipment.

Symbols Used In This Manual



This symbol alerts operators to particularly important information. Be sure to read this information.



This symbol alerts operators to helpful advice regarding operation.



A TRIANGLE symbol indicates that special care and attention is required.

The drawing inside the triangle shows the specific caution.



A CIRCLE with a diagonal line inside shows action which users may not perform.

The drawing inside or under the circle shows the specific action that is not allowed.



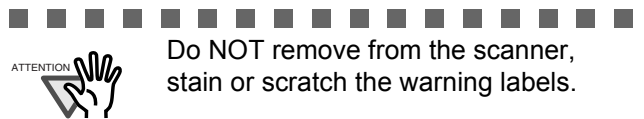
Outline characters on a colored background show instructions users should follow.

It may also include a drawing that shows the specific instruction.

Warning Label



The glass surface inside the ADF becomes hot during the operation. Be careful not to touch the glass surface inside the ADF.



Do NOT remove from the scanner, stain or scratch the warning labels.

Screen Examples In This Manual

The screen examples in this manual are subject to change without notice in the interest of product improvement. If the actual displayed screen differs from the screen examples in this manual, operate by following the actual displayed screen while referring to the User's Manual of the scanner application you are using.

The screenshots in this manual were captured from FUJITSU TWAIN32 scanner driver, ScandAll 21 Image Capturing Utility Software,

About Maintenance

The user must not perform repairs on this scanner. Contact the store where you purchased the scanner or an authorized FUJITSU Image Scanner service provider to have repairs done on this product.

■ Safety Precautions



Do not damage the AC cable.



A damaged AC cable may cause fire or electric shock. Do not place heavy objects on AC cables, or pull, bend, twist, heat, damage or modify AC cables. Do not use damaged AC cables or power plugs, or install any cables or power plugs to loose wall sockets.

Use only specified AC cables and connector cables.



Use only specified AC cables and connector cables. Failure to use the correct cables might cause electric shock and/or equipment failure.

Use this scanner only at the indicated power voltage. Do not connect to multiple-power strips.



Use this scanner only at the indicated power voltage and current. Improper power voltage and current might cause fire or electric shock. Do not connect to multiple-power strips.

Do not touch the AC cable with wet hands.



Do not touch the power plug with wet hands. Doing so might cause electric shock.

Wipe any dust from the power plug.



Wipe off any dust from metal parts on the power plug or metal fittings with a soft, dry cloth. Accumulated dust can cause fire or electric shock.

Do not install the device in locations that has oil smoke, steam, humidity, and dust.



Do not install the scanner in locations subject to oil smoke, steam, humidity, and dust. Doing so might cause a fire or electric shock.

Turn the scanner OFF if it is damaged.



If the scanner is damaged for any reason, turn the scanner off and unplug the power cable. Contact the store where you purchased the scanner.

Do not put liquids inside the scanner.



Do not insert or drop metal objects in to the scanner. Do not scan wet documents or documents with paper clips or staples. Do not splash or allow the scanner to get wet.



If foreign objects (water, small metal objects, liquids, etc.) get inside the scanner, immediately turn off the scanner and disconnect the power plug from the power outlet. Then, contact the store where you bought the scanner or the Maintenance Service Center. Pay particular attention to this warning in households where there are small children.

Do not touch the inside of the scanner unless necessary.



Do not take apart or modify the scanner. The inside of the scanner contains high-voltage components. Touching these components might cause electric shock or fire.

Do not use the scanner if you smell a strange odor.



If you detect heat coming from the device or detect other problems such as smoke, strange smells or noises, immediately turn off the scanner and then disconnect its power plug. Make sure that any smoke coming from it has stopped, before contacting the store where you bought the scanner or an authorized FUJITSU scanner service provider.



Do not install the scanner on unstable surfaces.



Make sure that the scanner is installed on a flat, level surface and that none of its parts extend beyond the surface top, such as a desk or table. Do not install the scanner on unstable surfaces. Install the scanner on a level surface that is free of vibration to prevent it from falling.



Install the scanner on a strong surface that will support the weight of the scanner and other devices.

Do not block the ventilation ports.



Do not block the ventilation ports. Blocking the ventilation ports generates heat inside of scanner, which may result in fire or scanner failure.

Do not place heavy objects or climb on top of the scanner.



Do not place heavy objects on the scanner or use the scanner's surface top to perform other work. Improper installation might cause injuries and equipment failure.

Firmly insert the power plug.



Firmly insert the power plug as far it can go into the power outlet.

Avoid any contact when scanner is in use.



Avoid touching any scanner mechanism during scanning since this may cause injuries.

Do not use the scanner immediately after moving it from a cold place into a warm room.



Do not use the device immediately after moving it from a cold place into a warm room. Condensation may occur, which might lead to scanning errors. Let the device dry about one or two hours before you use it.

Before moving the scanner, disconnect the power plug from the power outlet.



Do not move the scanner with the power and interface cables connected as this can damage the cables, which can later cause fire, electric shock as well as injury. Before moving the scanner, be sure to disconnect the power plug from the power outlet, and all other data cables. Make sure that the floor is free of any obstructions.

Protect the scanner from static electricity.



Install the scanner away from strong magnetic fields and other sources of electronic noise. Also, protect the scanner against any static electricity, which can cause the scanner to malfunction.

Do not use aerosol sprays near the scanner.



Do not use aerosol sprays to clean the scanner. Aerosol sprays can blow dirt and dust inside the scanner, resulting in scanner failure or malfunction.

Disconnect the power plug from the power outlet when the scanner is not used for a long period of time.



When the scanner is not going to be used for a long period of time, be sure to disconnect the power plug from the power outlet for safety.

Do not install the scanner in direct sunlight.



Do not install the scanner under direct sunlight or near heating apparatus. Doing so might cause excessive heat to build up inside the scanner, which can cause scanner trouble or even fire. Install the scanner in a well-ventilated location.

Chapter 1 PREPARING THE SCANNER

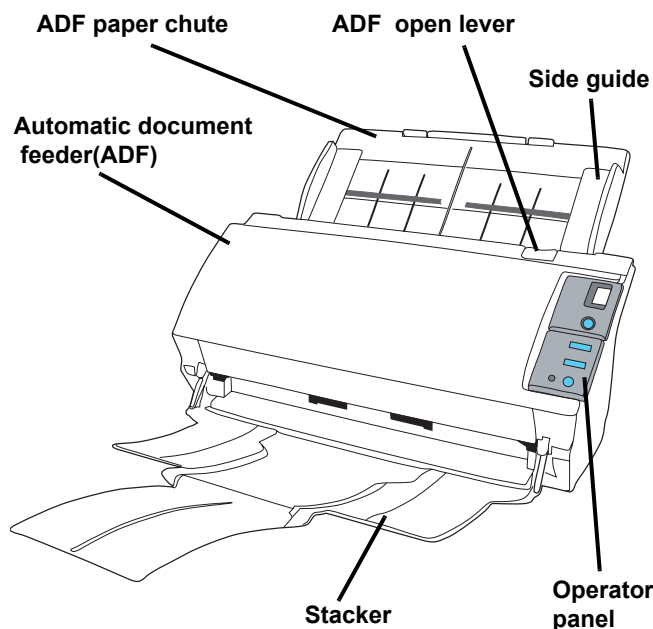
1.1 Checking the Contents of the Scanner Package

When you open the scanner package, please handle the main unit and its attachments carefully. Make sure it contains all the parts listed in the package contents list that is included in the package box. If any parts are missing or defective, contact your sales representative.

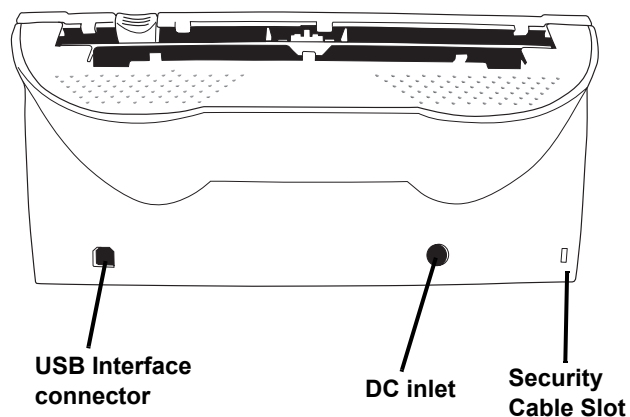
1.2 Names of Parts

This section describes the scanner parts.

■ Front

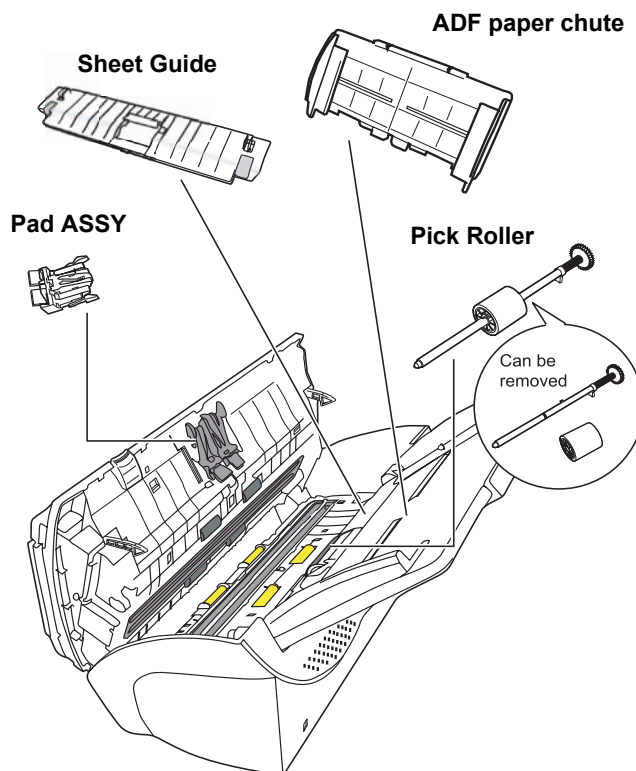


■ Rear



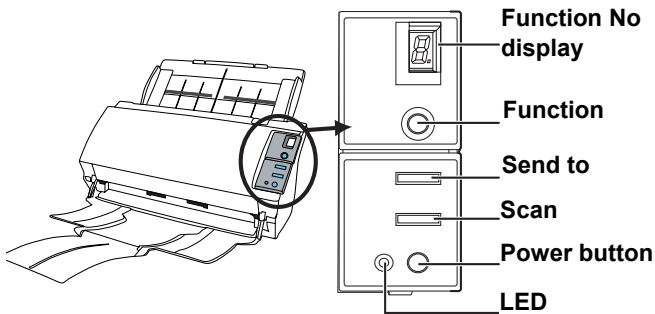
■ Removable Parts

Parts that can be removed from the scanner are displayed below.



1.3 Operator Panel

The operator panel is located on the right side of the scanner. This panel is comprised of a Function Number display, four buttons and a LED.



Name		Function
Function Number display		Indicates the function Number and error status.
Button	Function	Changes the Function activated by the Send to button (*).
	Send to	Launches the linked application software (*).
	Scan	
	Power button	Turns the scanner ON and OFF.
LED	-	Lights when the scanner is turned ON.

*) About the settings on the launcher, refer to FUJITSU TWAIN32 scanner driver help and the "fi-5110C Operator's Guide" in the Setup CD-ROM.

■ Indications on the Function Number display

- **8**
Blinks only one time upon turning on the scanner.
- **P**
Indicates that the scanner has been turned ON and is being initialized.
- **0**
Indicates that initialization will soon end.
- **1**
Indicates that initialization has ended successfully.
The scanner is now in "Ready Status".
- **U**
Indicates that a temporary error occurred when documents were being scanned. A number appearing in alternation following the U (i.e., 1, 2 and 4) refers to the type of error.
To return the scanner to the ready status ("1"), press "Scan" or "Send to" button.
- **E**
Indicates that a device (hardware) alarm has occurred during scanning of documents.
"E" and the alarm Number (2 to 9 and c) will appear alternately.
To return the scanner to the ready status ("1"), press "Scan" or "Send to" button.
If this alarm occurs, turn the power off and on again. If the alarm continues after turning the power on again, contact your service engineer.

Chapter2 INSTALLATION OF THE SCANNER

2.1 Installing the Scanner Application

Both the scanner driver and image capturing application software (called "application" hereafter) must be installed on your PC.

There are two types of drivers for scanner, The FUJITSU TWAIN 32 Scanner Driver and FUJITSU ISIS Scanner Driver, as well as two software applications, ScandAll 21 and QuickScan Pro™, are provided with this product. The following sections describe how to install each driver and application.



Please install the scanner driver before connecting the scanner to your PC.

If you connect the scanner before installing the scanner driver, the scanner will not operate correctly.

If you have connected the scanner beforehand, the "Found New Hardware Wizard" screen appears (this screen might differ slightly according to the used OS). On this screen, click the [Cancel] button to close the Wizard screen and install the scanner driver first.

For FUJITSU TWAIN32 Scanner Driver

■ Preparation

Confirm the following items before installing the application.

- Remove the Setup CD-ROM from its package.
- Uninstall any older version of FUJITSU TWAIN 32 driver if already installed.



Uninstall [Scanner Utility for Microsoft Windows] from [Add/Remove Programs] of the control panel.

■ Installing the FUJITSU TWAIN32 Scanner Driver



Windows XP screenshots are used in this section as examples. The windows and operations may slightly vary depending on your OS.

1. Turn on your PC and log on to Windows.



When using Windows 2000 or Windows XP, log on as a user with "Administrator" privileges.

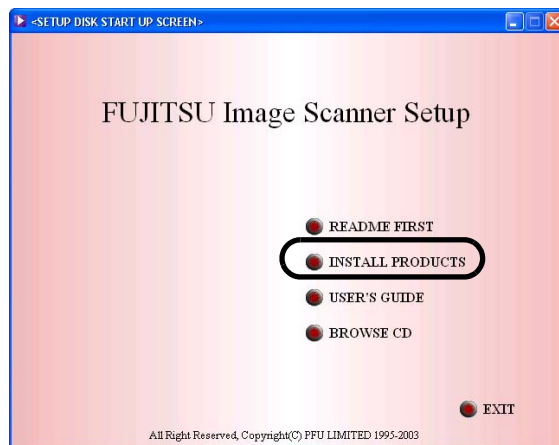
2. Insert the Setup CD-ROM into the CD drive.

⇒ <SETUP DISK START UP SCREEN> appears.



This screen may not appear when the "Autoplay" setting of your PC is OFF. In this case, run "Install.exe" in this CD-ROM directly from the "Explorer" or "My Computer".

3. Click [INSTALL PRODUCTS].



4. Click [TWAIN Driver] on the window below.



5. Error Recovery Guide Installation window appears. Error Recovery Guide is a software that displays troubleshooting information on screen when any scanner error occurs. Although this software's installation is highly recommended, the performance of the scanner would not be affected if not installed.



When you select [Yes] for installing the Error Recovery Guide, [Choose Setup Language] window appears. Select a language and follow the instructions on the window. Error Recovery Guide will automatically continue finishing its installation. Please wait until the installation of TWAIN driver automatically starts.

6. Select a language used for installation on [Choose Setup Language] window and click [OK].



7. Follow the instructions on the window to install the application.

8. When the [InstallShield Wizard Complete] window appears, click [Finish].



9. Your computer will be restarted. Do not remove the Setup CD-ROM from the CD drive until your PC has completely restarted. Installation of the scanner driver is completed.

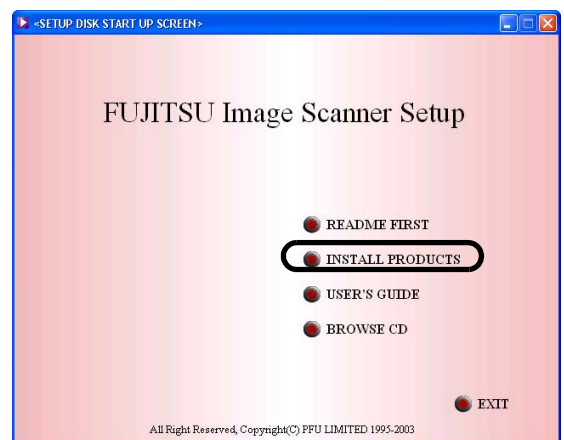
■ Installing ScandAll 21

"Scandall 21" is an image capturing software that complies with the TWAIN standard. The FUJITSU TWAIN 32 scanner driver enables you to capture images with a FUJITSU image scanner fi-series product.



When using Windows 2000 or Windows XP, log on as a user with "Administrator" privileges.

1. Insert the Setup CD-ROM into the CD drive.
⇒ <SETUP DISK START UP SCREEN> appears.
2. Click [INSTALL PRODUCTS].



3. Click [ScandAll 21] on the window below.

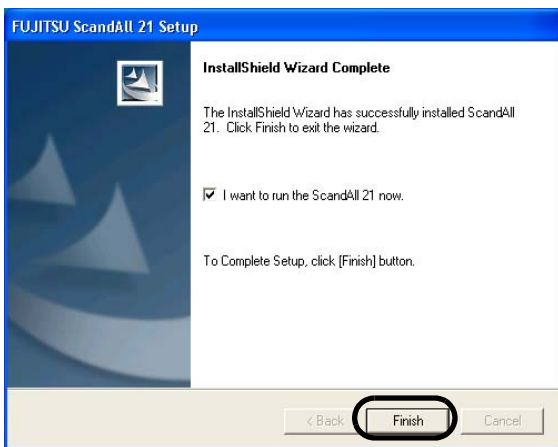


4. Select a language used for installation on [Choose Setup Language] window and click [OK].



5. Install the application following the instructions on the window.

6. When the [InstallShield Wizard Complete] window appears, click [Finish].



For finishing the installation, it may be necessary to restart your computer. Follow the instructions on the window.

For FUJITSU ISIS Scanner Driver

■ Preparation

Remove the Setup CD-ROM from its package.

■ Installing the FUJITSU ISIS Scanner Driver



Windows XP screenshots are used in this section as examples. The windows and operations may vary slightly depending on your OS.



1. Turn your PC on and log on to Windows.



When using Windows 2000 or Windows XP, log on as a user with "Administrator" privileges.



2. Insert the "Setup CD-ROM" into the CD drive.

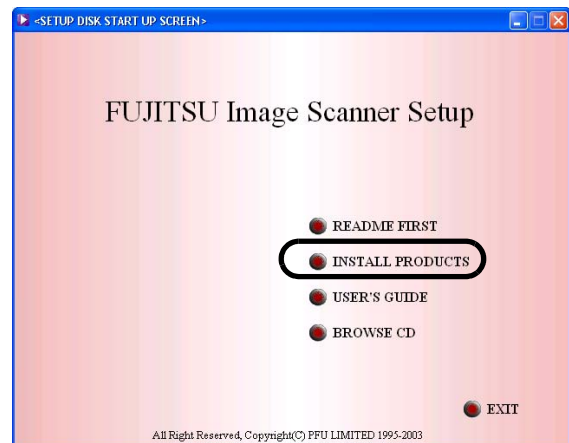
⇒ <SETUP DISK START UP SCREEN> appears.



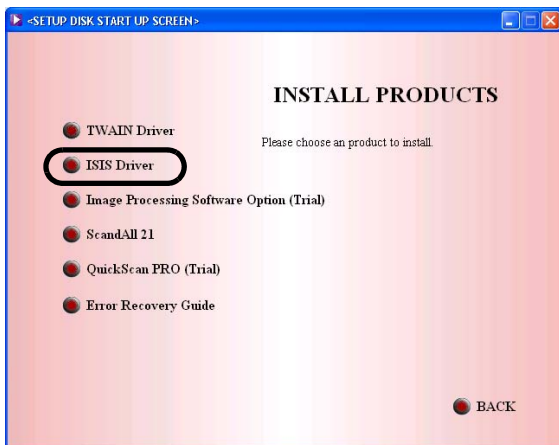
This screen may not appear when the "Autoplay" setting of your PC is OFF. In this case, run "Install.exe" in this CD-ROM directly from the "Explorer" or "My Computer".



3. Click [INSTALL PRODUCTS].



4. Click [ISIS Driver] on the window below.



5. Error Recovery Guide Installation window appears. Error Recovery Guide is a software that displays troubleshooting information on screen if any scanner error occurs. Although this software's installation is highly recommended, the performance of the scanner would not be affected if not installed.



When you select [Yes] for installing Error Recovery Guide, the [Choose Setup Language] window appears. Select a language and follow the instructions on the window. The Error Recovery Guide will automatically continue finishing its installation. Please wait until the installation of ISIS driver automatically starts.

6. Select a language used for installation on [Choose Setup Language] window and click [OK].



7. Follow the instructions on the window to install the application.
 8. When the [InstallShield Wizard Complete] window appears, click [Finish].
 9. Your computer will be restarted. Do not remove the Setup CD-ROM from the CD drive until your PC has completely restarted.
- Now the installation of the scanner driver is completed.

■ Installing QuickScan Pro™

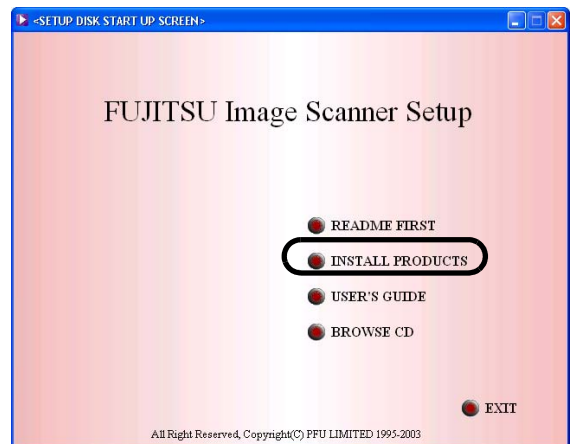
"QuickScan Pro™" is an image capturing software that complies with the ISIS standard. The FUJITSU ISIS scanner driver enables you to capture images with a FUJITSU image scanner fi-series product



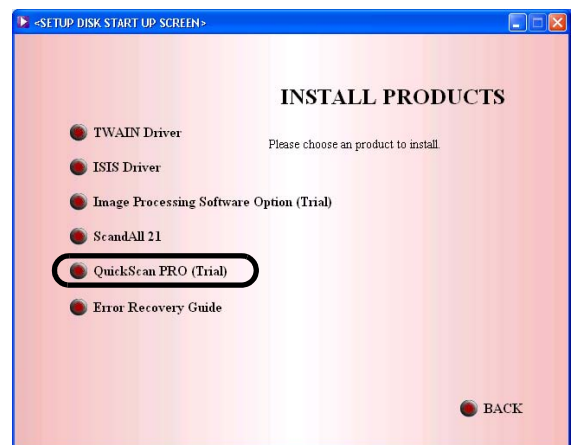
- When using Windows 2000 or Windows XP, log on as a user with "Administrator" privileges.
- If an older version of QuickScan has already been installed on your PC, uninstall it before installing this version.



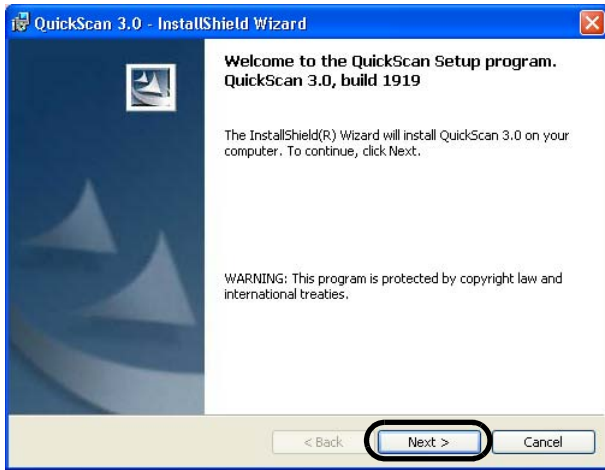
1. Insert the Setup CD-ROM into a CD drive.
⇒ <SETUP DISK STARTUP SCREEN> appears.
2. Click [INSTALL PRODUCTS].



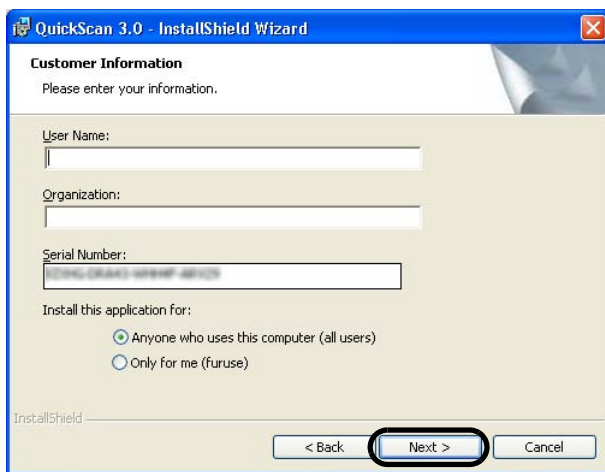
3. Click [QuickScan PRO (Trial)] on the window below.



4. Continue to install the application following the instructions on the window.



5. Enter the required information, then click [Next >] button.



"QuickScan Pro™" included in the Setup CD-ROM is an evaluation version. For further use after the expiration of its evaluation period of up to 30 launches, it is necessary to purchase a fully functional version of QuickScan Pro™. (When you install the evaluation version, do not change the Serial Number already displayed.)

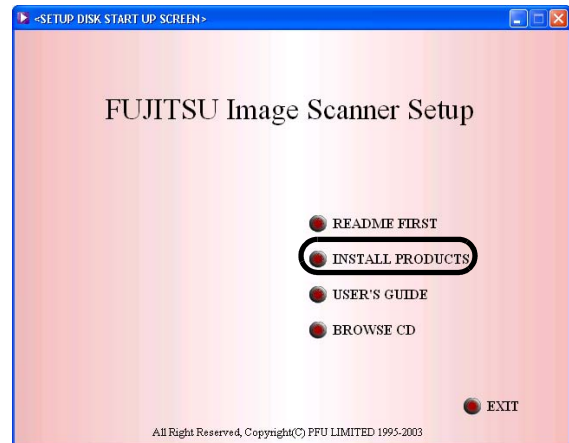
6. Install the application following the instructions on the window.

Error Recovery Guide

If you did not install together the Error Recovery Guide with the driver, please proceed with the procedures given below for installing it.

Error Recovery Guide is a software that displays troubleshooting information on screen if any scanner error occurs.

1. Insert the Setup CD-ROM in your CD drive. The <SETUP DISK STARTUP SCREEN> will appear.
2. Click [Install Products].



3. Click [Error Recovery Guide] on the next screen.



4. Select a language to use for the installation in the <Choose Setup Language> window and click [OK].



5. Install the application following the instructions in the window.

- When the [InstallShield Wizard Complete] screen displays, click [Finish].

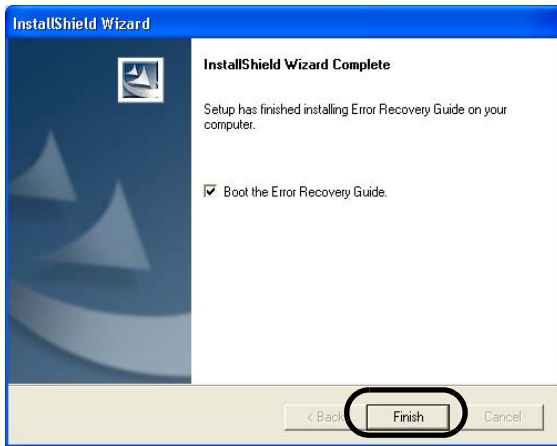


Image Processing Software Option (Trial)

To install the image processing software option (trial version), please refer to the "Image Processing Software Option User's Guide".

Adobe® Acrobat®

Install Adobe Acrobat from the "Adobe Acrobat 7.0 CD-ROM" provided with this scanner.




Adobe Acrobat 7.0 Standard is not supported by Microsoft Windows 95, Microsoft Windows 98/98SE, Microsoft Windows NT4.0, Microsoft Windows Me.



Adobe Acrobat is required for displaying the manuals stored in the CD-ROM.
* Installation of Adobe Acrobat 7.0 is not necessary if it has already been installed in your PC.

- Insert the "Adobe Acrobat 7.0 CD-ROM" into the CD-ROM drive.

⇒ The "Adobe Acrobat 7.0 Standard - Setup" window appears.

ATTENTION  This window is not displayed automatically when the "Auto play" setting of your computer is deactivated. In this case, please run "Auto play.exe" of this CD-ROM directly using the "Explore" or "My computer".

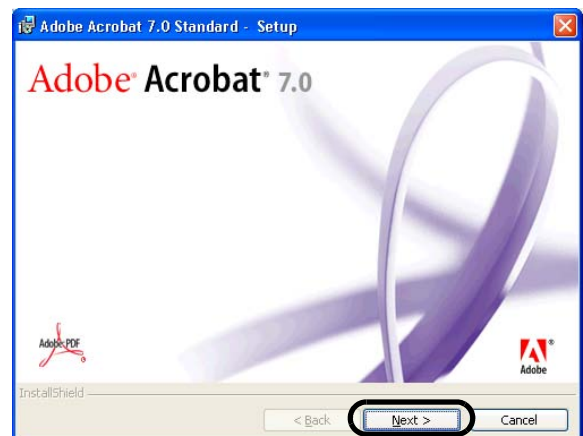
- Select the language and Click [OK] button.




- Select "Install Adobe Acrobat 7.0 Standard".



- Click the [Next] button. The set up window appears.



5. Follow the instructions to install the software.

HINT  Select "How to install" on the "Adobe Acrobat 7.0 Standard" window to learn more about Adobe Acrobat 7.0 installation. Refer to "Adobe Acrobat Help" about how to use Adobe Acrobat 7.0.



Notes for using Adobe Acrobat 7.0
When scanning a paper document and converting the image to PDF using Acrobat 7.0, unexpected images may be output when:

1. Setting "Edge Shadow Removal" in Acrobat, and setting "Digital Endorser" or "Black Background" options in the TWAIN driver at the same time. Letter strings embedded in the image or the background may be missed.
Solution 1: Set "Edge shadow removal" to "OFF" or set any option other than "Adaptive" for "Color/Grayscale" and/or "Monochrome" under "Compression" by selecting [File]->[Create PDF]->[From Scanner...]->[Image Settings...] in Acrobat.
Solution 2: Adjust the scanning density in the TWAIN driver.
2. Setting "Adaptive" for "Color/Grayscale" and/or "Monochrome" under "Compression" in Acrobat and scanning in a resolution lower than the resolution recommended for Acrobat.
Solution: Set OPTION to something other than "Adaptive" under "Compression."
3. Scanning a document longer than the double letter (11x17) or A3 size, when setting "Overscan" in the TWAIN driver, the scan may fail.
Solution: When scanning a double letter (11x17) or A3 size of document, do not set "Overscan" in TWAIN driver.

*As for detailed usage and information of Acrobat, refer to "Create a PDF file from a scanned document" in Acrobat Help.



Support and User registration for Adobe products:
Refer to the technical support information stored in the [Customer Support] folder on Adobe Acrobat 7.0 Standard CD-ROM. (Note that free person-to-person support is not available for this bundled product.)



2.2 Installing the Scanner

After the computer has been restarted, connect the scanner.

1. Place the scanner at its installation site.

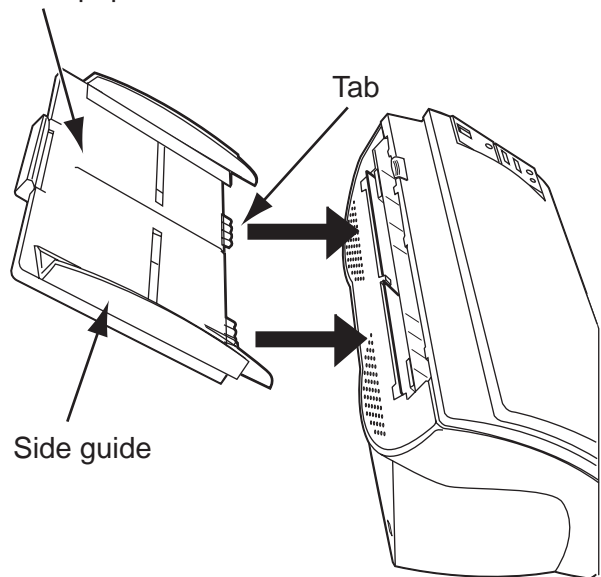
For details on the scanner's dimensions and required installation space, refer to "fi-5110C Operator's Guide" "9.2 Installation Specifications" in the Setup CD-ROM.

2. Attach the ADF Paper Chute.

Hold the ADF paper chute and insert its tabs into the corresponding slots in the scanner as shown in the figure below.

The Side guides of the ADF paper chute have to face up.

ADF paper chute



2.4 Confirming Installation

To confirm whether the installation was successful, perform a scanning operation with an application that complies with either the TWAIN regulations, such as ScandAll 21 or the ISIS regulations such as QuickScan Pro™.

■ Confirming with ScandAll 21

1. Load the documents on the scanner.

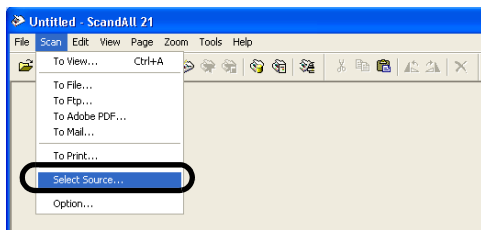
For details on loading documents, refer to "2.2 Loading Documents on the ADF for Scanning" in the fi-5110C Operator's Guide on the Setup CD-ROM.

2. Start ScandAll21.

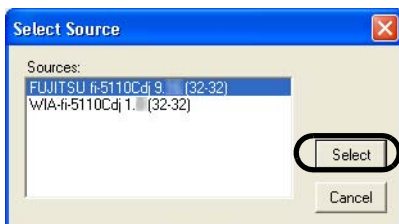
Select [Start] - [Programs] - [Scanner Utility for Microsoft Windows] - [ScandAll 21].

3. Specify the scanner (that you will use)

Select [Select Source...] from the [Scan] menu of ScandAll 21.

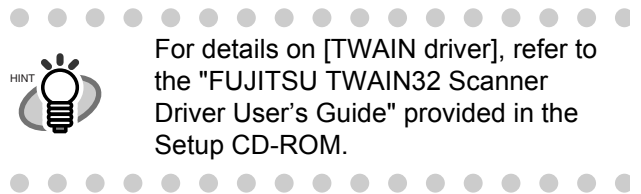
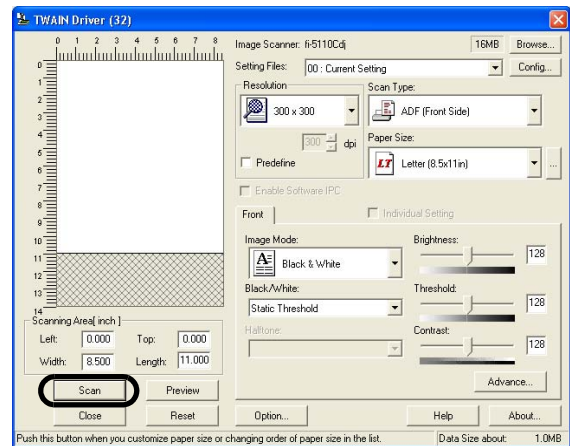


4. Select "FUJITSU fi-5110Cdj" on the dialog box.



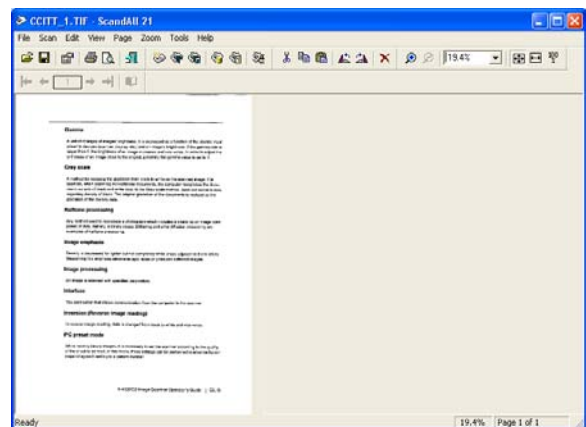
5. Select [To View...] from the [Scan] menu.

6. Set scanning resolution, document size, etc. on the [TWAIN driver] window (for setting details of scanning) and click the [Scan] button.



For details on [TWAIN driver], refer to the "FUJITSU TWAIN32 Scanner Driver User's Guide" provided in the Setup CD-ROM.

7. Documents are scanned, and the scanned images are displayed on the [ScandAll 21] window.



If the scanning completes without any trouble, the installation performed successfully.

For details on various types of scanning, refer to the "fi-5110C Operator's Guide" on the Setup CD-ROM.

■ Confirming with QuickScan Pro™

1. Load the documents on to the scanner.


For details on loading documents, refer to "2.2 Loading Documents on the ADF for Scanning" in the fi-5110C Operator's Guide on the Setup CD-ROM.

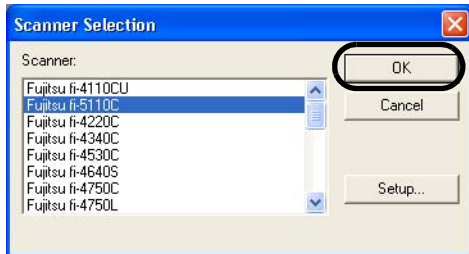
2. Start QuickScan Pro™.

From the [Start] menu, select [Programs]-[Quick-Scan]-[QuickScan].

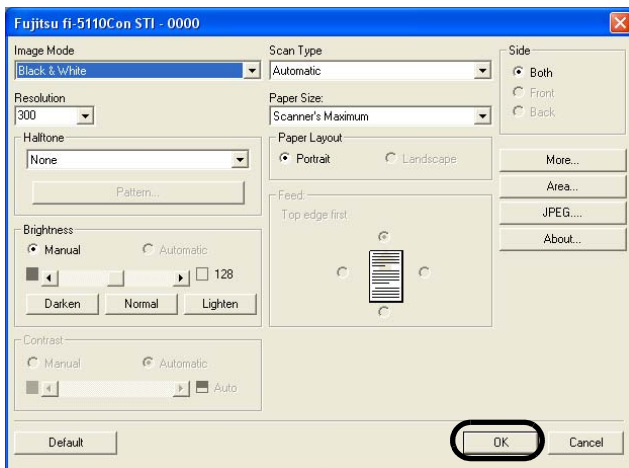
3. Select [Select Scanner...] from [Scan] menu in QuickScan Pro™.

And, select fi-5110C from the list of [Scanner:], and then click the [OK] button.

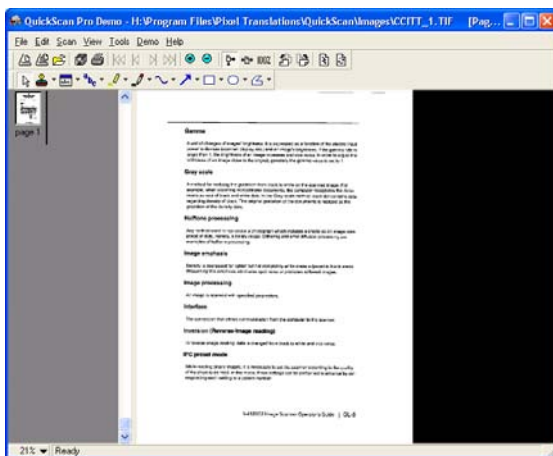
HINT  Refer to "QuickScan Overview" or "QuickScan Help" for information about QuickScan Pro™ functions and operations. On the [Start] menu, point to [Programs]-[QuickScan] and click the file.



4. Select [Preview Settings...] from the [Scan] menu. Set the scan resolution, paper size and other scanning requirements, and then click [OK].



5. Select [Preview Scan] from the [Scan] menu. And then the document is scanned.



If the scanning completes without any trouble, the installation performed successfully.

Appendix 1 TROUBLESHOOTING

■ Troubleshooting checklist

Symptom	Check this item	Remedy
Scanner does not turn on.	Have you pressed the power button on?	Push the power button in to turn the scanner.
	Are the AC cable and AC adapter properly connected to the scanner?	Correctly connect the AC cable and the AC adapter. Disconnect the AC cable and the AC adapter from the scanner, then connect them again. If this does not restore the power supply, contact the store where you purchased the scanner or an authorized FUJITSU scanner service provider.
	Are you using the correct AC cable and AC adapter supplied with the scanner from the manufacture?	You must use the AC adapter and cable supplied with your scanner by the manufacture. Please get the correct AC adapter and cable to connect to your scanner.
Scanning does not commence.	Are the documents loaded properly on to the ADF paper chute?	Realign and reload the documents on to ADF paper chute.
	Is the ADF closed completely?	Close the ADF completely.
	Is the USB cable cable connected securely?	Connect the cable. (When a USB hub is used, check the hub's power supply.)
	Does the Function Number display indicates an alarm or an error?	When the Function Number display indicates an alarm or an error, refer to "Chapter 6 TROUBLESHOOTING" in the fi-5110C Operator's Guide for removing the alarm or the error.
	The alarm status remain displayed even after the scanner has been turned off and on again?	Turn off and on the power button. If this does not eliminate the alarm status, contact the store where you purchased the scanner or an authorized FUJITSU scanner service provider.
Vertical lines appear in the printed image.	Is the glass dirty?	Clean the glass as instructed in the Operator's Guide "4. Daily Care".
The scanned printed image appears shifted or distorted.	Have the documents been loaded correctly?	Reload the documents correctly.
Quality of the scanned image is not satisfactory.	Is the glass clean?	Clean glass and othter dirty locations around glass and ADF.

Symptom	Check this item	Remedy
Paper frequently multi feeds.	Have the document requirements of the fi-5110C Operator's Guide's "Document Quality" and the "multi feed Detection Conditions" of chapter 7 been satisfied?	Use document conditions that meet the "Document Quality" and the "Multi Feed Detection Conditions" in chapter 7 of the fi-5110C Operator's Guide.
	Are the documents placed properly in the ADF paper chute?	Fan the documents before scanning. Correctly align the document stack and load them on the ADF paper chute. Refer to "2.2 Installing the Scanner" on page 9 for details.
	Is the stack of document thicker than 5 mm?	Reduce the number of sheets of the stack to a thickness of 5 mm or less.
	Is the Pad ASSY dirty?	Clean the Pad ASSY. Refer to Operator's Guide in "Chapter 4 Daily Care".
	Is the Pad ASSY worn out?	Replace the Pad ASSY. Refer to Operator's Guide in "5.2. Replacing the Pad ASSY".
Paper does not feed (pick error occurs frequently, or document stops midway).	Have the document requirements of the fi-5110C Operator's Guide's "Document Quality" and the "Multi Feed Detection Conditions" of chapter 7 been satisfied?	Use document conditions that meet the "Document Quality" and the "Multi Feed Detection Conditions" in the chapter 7 of the fi-5110C Operator's Guide.
	Is the Pick roller dirty?	To clean the pick roller, refer to Operator's Guide in "Chapter 4 Daily Care".
	Is the Pick roller worn out?	Change the Pick roller. Refer to Operator's Guide in "5.3. Replacing the Pick Roller".
	Is there any dirt or dust in the document feed path?	Remove any dirt or dust from the document feed path.
Are the scanned images elongated?	Are the Feed rollers dirty?	Clean the Feed rollers. Refer to Operator's Guide in "Chapter 4 Daily Care".
	Have you adjusted the scan scale?	Select "Scanners and Cameras" in the control panel, then click the [Device Set] tab to adjust scale.
Is there a shadow on the top or bottom edge of the scanned image?	Are the Feed rollers dirty?	Clean the Feed rollers. Refer to Operator's Guide in "Chapter 4 Daily Care".
	Is the offset adjusted?	On [Scanners and Cameras] in the control panel, adjust the [Sub-scan Setting] (in case there is a shadow in the top edge) or adjust the [Bottom] (in case there is a shadow in the bottom edge).

■ Temporary error

Indication	Meaning
U1	Paper feed error
U2	Multi Feed error
U4	The ADF has been opened during scanning.

To troubleshoot the indicated errors above:

- "U1" error

Remove all jammed documents.

Confirm that the documents meet the paper conditions for scanning.

Refer to fi-5110C Operator's Guide "7.2 Document Quality" on the Setup CD-ROM.

- "U2" error

Remove all jammed documents.

Confirm that the documents are within the required paper preconditions for scanning.

Refer to fi-5110C Operator's Guide "7.2 Document Quality" on the Setup CD-ROM.

- "U4" error

Close the ADF cover completely. For the details, refer to "6 TROUBLESHOOTING" in the "fi-5110C Operator's Guide" on the Setup CD-ROM.

■ Device alarm (Non-Temporary error)

Indication	Meaning
E2	Trouble in the optical system (front).
E3	Trouble in the optical system (back).
E4	The motor's fuse has blown out.
E6	Trouble with the operator panel.
E7	Trouble occurred with the EEPROM.
E9	An error in the image memory.
Ec	An alarm in the memory.

When you encounter any alarm on the display, turn the scanner off and on. If the alarm is still displayed on the Function Number display, contact the store where you purchased the scanner or an authorized FUJITSU scanner service provider.

Appendix 2 DAILY CARE



When operating the scanner, the ADF's inside glass becomes very hot.



Before you clean inside the scanner, turn off its power and unplug the AC adapter from the outlet. Wait for at least 15 minutes.



Do not turn off the scanner when you clean the Feed rollers or Eject rollers.

Parts to Clean and When

Part to clean	Standard Cleaning Cycle
Pad ASSY	Clean these parts after every 1,000 scans.
Pick roller	
Feed rollers	
Plastic rollers	
Glass	

Cleaning Materials

Cleaning Materials	Parts Number	Remarks
Cleaner F1 (or isopropyl alcohol)	CA99501-0013	1 bottle Moisten the cloth with this fluid and wipe the scanner clean. (*)
Lint-free dry cloth	Commercially available one	

* For details about cleaning materials, contact the FUJITSU scanner dealer where you purchased the scanner.



The scanner must be cleaned frequently if you scan any of the following type of paper sheets:

- Documents of coated paper
- Documents that are almost completely covered with printed text or graphics
- Chemically treated documents such as carbonless paper
- Documents containing a large amount of calcium carbonate
- Handwritten documents



For details on the cleaning the ADF, refer to "Chapter 4 Daily Care" in fi-5110C Operator's Guide in the Setup CD-ROM".

Cleaning Method

The ADF must be cleaned with a lint-free cloth moistened with the Cleaner F1.



Do not use aerosol sprays to clean the scanner. Aerosol sprays can blow dirt and dust inside the scanner, resulting in scanner failure or malfunction.



Appendix 3 REPLACING CONSUMABLES



During its operation, the inside glass of the ADF becomes very hot .

Before replacing the consumables, turn the scanner off and unplug the AC adapter from the outlet. Wait at least 15 minutes.



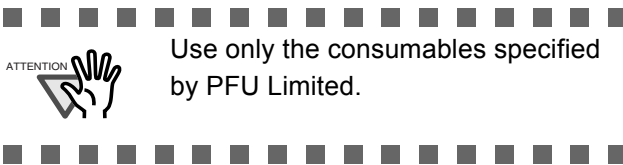
Consumables and Replacement Cycles

Below are specifications of consumable items and their recommended replacement cycles.

Description	Parts Number	Standard Replacement Cycle
Pad ASSY	PA03360-0002	After 50,000 scans or one year
Pick roller	PA03360-0001	After 100,000 scans or one year

To purchase consumables, contact the store where you purchased the scanner or an authorized FUJITSU scanner service provider.

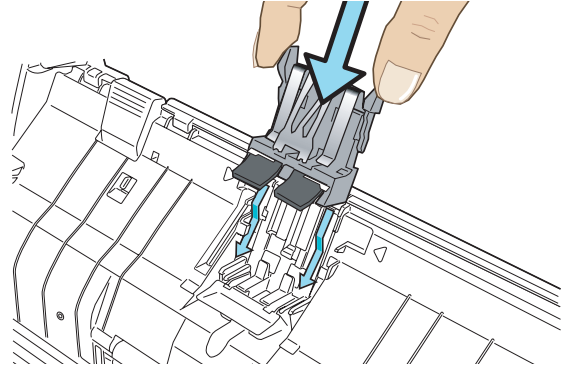
The replacement cycles above are rough guidelines when using A4 or Letter woodfree or wood containing paper 64 g/m² (17 lb). This cycle varies according to the type of paper and how frequently the scanner is used and cleaned.



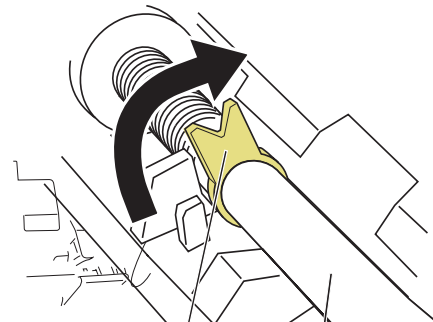
Use only the consumables specified by PFU Limited.

The illustration below demonstrates the locations of the replacement parts. Refer to "Chapter 5 Replacing Consumables" fi-5110C Operator's Guide on the Setup CD-ROM.

Replacing the Pad ASSY

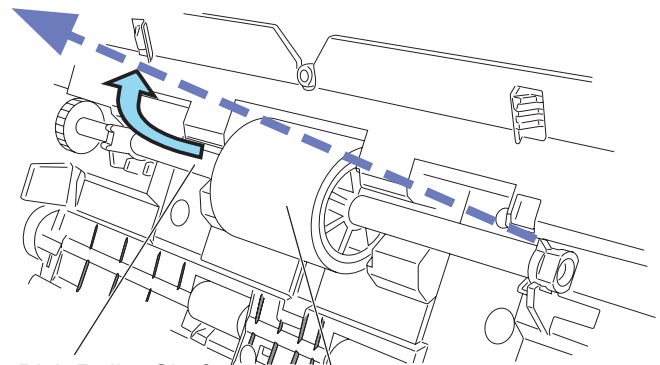


Replacing the Pick Roller



Pick Roller Bushing

Pick Roller Shaft



Pick Roller Shaft

Pick Roller

fi-5110C Image Scanner Getting Started

P3PC-1072-03EN

Date of issuance: June, 2006

Issuance responsibility: PFU LIMITED

Printed in China

- Copying of the contents of this manual in whole or in part and copying of the scanner application is forbidden under the copyright law.
- The contents of this manual are subject to change without notice.
- PFU LIMITED. is not liable whatsoever for any damages resulting from use of this scanner and procedures described in this manual, profit due to defects, and any claims by a third party.

Free Manuals Download Website

<http://myh66.com>

<http://usermanuals.us>

<http://www.somanuals.com>

<http://www.4manuals.cc>

<http://www.manual-lib.com>

<http://www.404manual.com>

<http://www.luxmanual.com>

<http://aubethermostatmanual.com>

Golf course search by state

<http://golfingnear.com>

Email search by domain

<http://emailbydomain.com>

Auto manuals search

<http://auto.somanuals.com>

TV manuals search

<http://tv.somanuals.com>