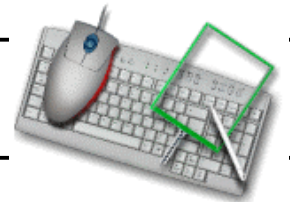




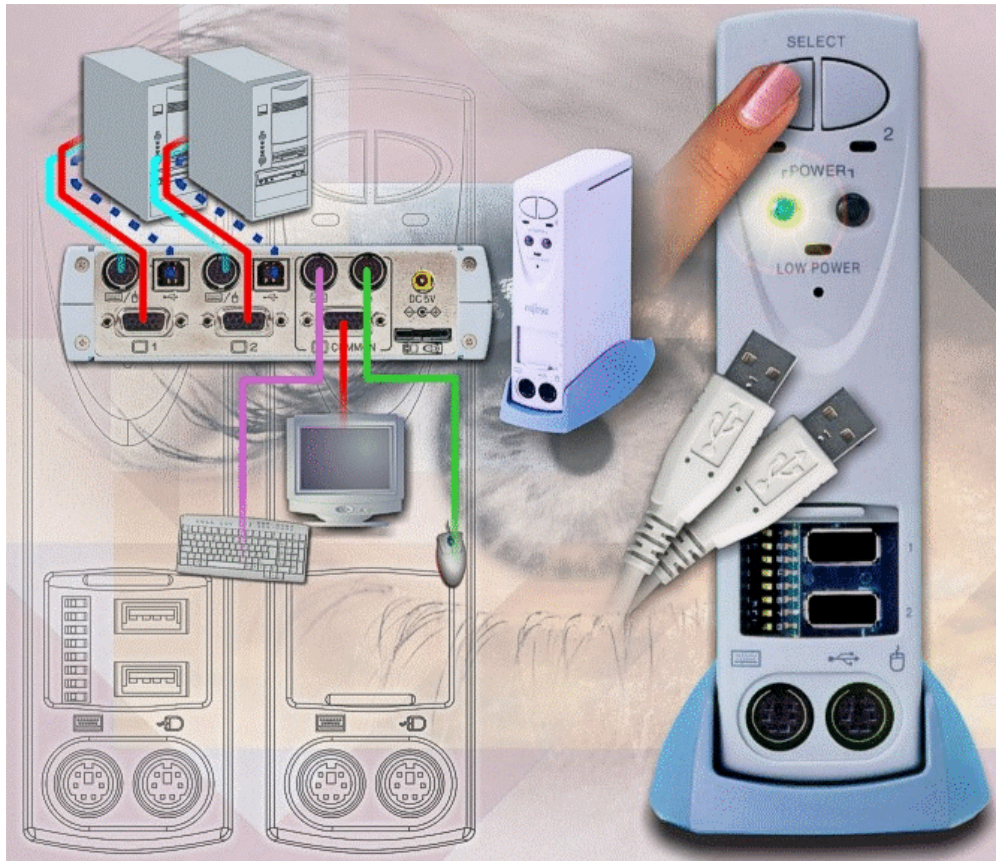
With our products we always look to the future.

www.fceu.fujitsu.com


# FS-102AT & FS 102ATU



**KVM -Keyboard Video Mouse Switch, 2 ~ 4 Units, USB Hub option.**  
**A Solution for PC & Mac based Systems with PS/2 and USB support.**



## ■ KVM Switches – What are the advantages?

Where desk space is at a premium, or where a single operator uses multiple systems, the KVM switch ensures that a seamless stable switching operation takes place between those systems. The user has the choice of hot keys (Keys on the keyboard that can be dedicated to the switching operation like pressing the  (Control) key twice), or front mounted buttons on the KVM itself to easily switch between systems. The NUM, CAPS, and SCROLL status is maintained during switching.

As an example one system could be connected to the Internet, whilst the second system could be connected to the company Intranet, thus preventing any chance of a virus or hacker attack, yet still allowing employees the ability to use the Internet safely.

Another example situation is the mobile SoHo worker who has a docking station or notebook connected to one side of the KVM and a home based PC Server or personal PC connected to the other. Only one Monitor and one keyboard and mouse are necessary to operate both systems.



Desktop Keyboards – Notebook Keyboards – Mice – Embedded Pointing Devices  
Touch Panels – Keyboard Video Mouse Switches  
Please note that this information may be subject to change  
Created July 2002

Title :-SERVIS 2 Port AT & ATU KVM Switch Specification.doc Issue 4.0



THE POSSIBILITIES ARE INFINITE

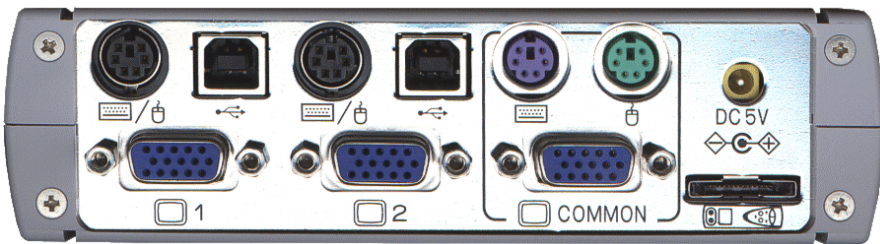


With our products we always look to the future.

### FS-102AT and FS-102ATU

**FS-102AT – 2 port PS/2 KVM switch.** This 2 port switch is cascadeable to 4 ports but does not need an external AC Adapter. Power is taken from the host system(s) to power the unit. The KVM can support video resolutions of 1600x1200 with a bandwidth of 200MHz. PC's can be selected from either the front face controls or from a 'hot key' on the keyboard. The advantage of one CPU for each port results in unparalleled reliability and stability. (Includes small desktop mounting cradle, cables and user guide.)

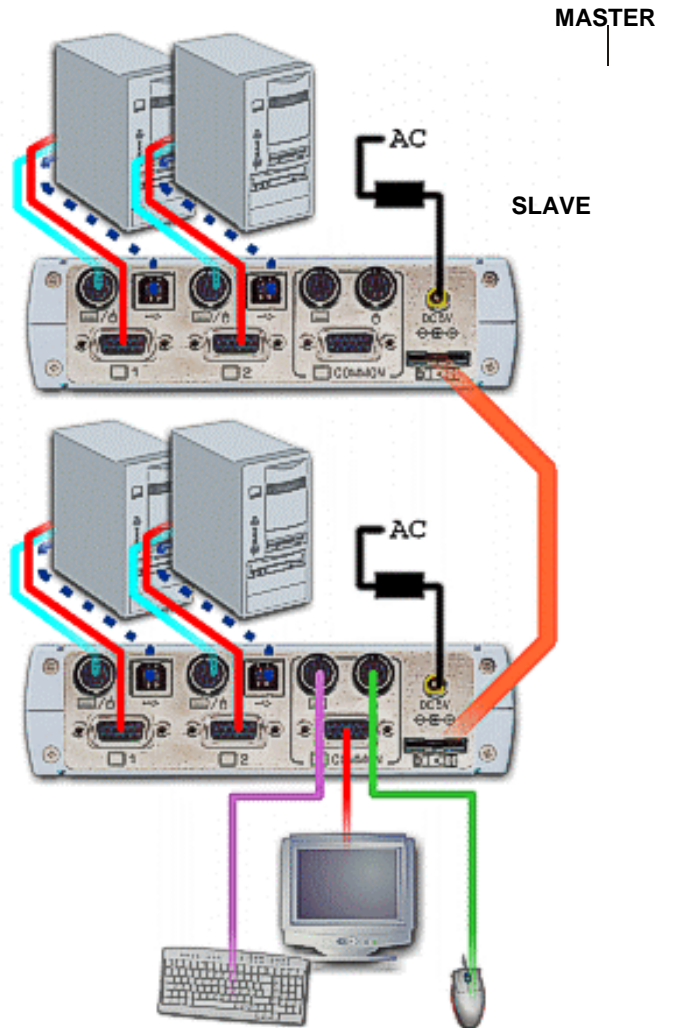
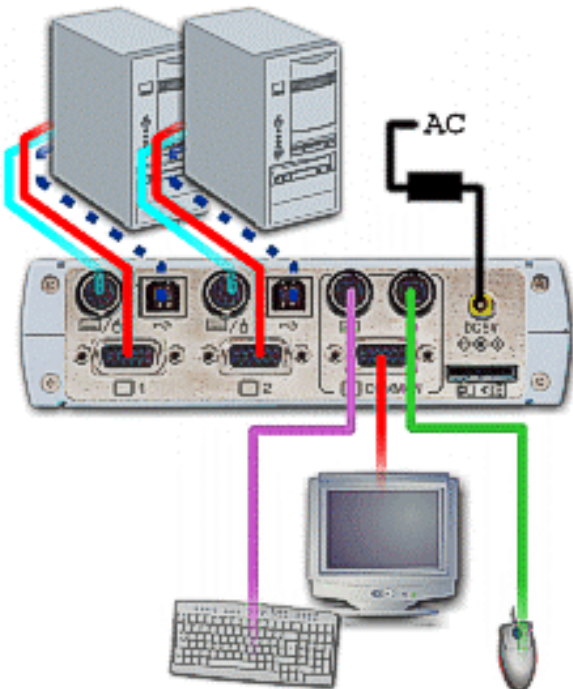
**FS-102ATU – 2 port PS/2/USB KVM switch and Hub.** The basic functions of the switch are the same as the FS-102AT, however this switch also has the advantage of 2 front USB ports allowing each PC to have a front mounted USB hub function, or to allow the switch to be connected to an Apple Mac system so that the PS/2 keyboard and mouse can emulate a USB keyboard/mouse on the Mac system. (Note - each port retains operation independent of PC switching) The KVM kit also comprises of the relevant AC adapter with either an English or European plug. This is necessary to power the USB hub function.



**FS102-ATU Illustrated**  
Front and rear views with indicator lights, USB ports, mouse and keyboards connectors and DIP switches for keyboard 'hot key' PC selection.

### CONNECTION EXAMPLE(S)

Connection examples for a single 2 port network or a bigger 4 port network with Master and slave configurations.



- Optional cable FS-101D required in the far example.
- ■ ■ This is a USB connection to the PC or USB connection to an Apple Mac system, allowing emulation by the PS/2 keyboard and mouse



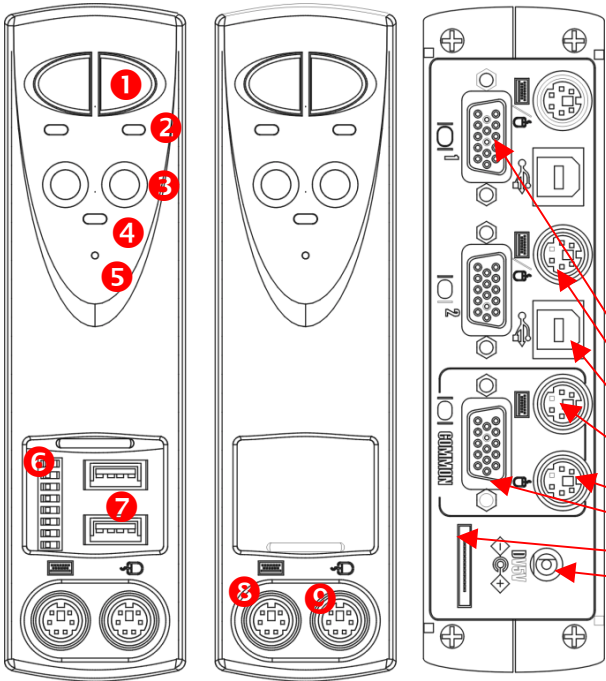
With our products we always look to the future.

**Major Front Face Functions:-**

- ❶ Select switch(s) used to select each PC connected to the switch
- ❷ Selection LED, which is lit when a certain PC is selected.
- ❸ POWER LED, lit when a PC
- ❹ Low Power LED. If the keyboards you are using take more power than expected and the KVM switch needs more, this will light and an external cable is required. In a cascade configuration or if USB ports are used, external cables are always required.
- ❺ RESET. In the unlikely event of an error or lock up the KVM is reset.
- ❻ DIP switch, used to select the required 'hot key' for switching
- ❼ USB HUB on the FS-102ATU product.
- ❽ PS/2 Keyboard connector– Front or back may be used
- ❾ PS/2 Mouse connector– Front or back may be used

**Major Rear Face Functions:-**

- Monitor connector to the PC
- Keyboard/mouse connector for dedicated cable from the KVM to the PC
- USB connector to the host PC
- Optional input connector for Keyboard – Front or back may be used
- Optional input connector for Mouse – Front or back may be used
- Monitor cable to connect the KVM to the Monitor
- Dedicated Daisy chain connector for 4 port use
- DC 5V adapter input.



**SPECIFICATION DETAILS**

Item	Specification
<b>Console Ports</b>	2x 6 Pin Mini-Din female Mouse/Keyboard ports, front and rear , D-SUB 15 pin female monitor port
<b>PC Ports</b>	2 x 6 Pin Mini-Din female Mouse/Keyboard ports, 2 x D-SUB 15 pin female monitor ports
<b>Additional Ports (FS-102ATU Only)</b>	2 Series B female USB ports
<b>Front Hub ports (FS-102ATU Only)</b>	2 Series 'A' female ports at 500mA per port
<b>Daisy Chain Port</b>	Daisy chain connector is a 14P female connector
<b>Monitor Resolution/Bandwidth</b>	1600 x 1200 200MHz
<b>Power Supply</b>	DC +5V ±5% (Supplied via the Mouse and keyboard port of the host PC)
<b>External Power Supply</b>	DC +5V ±5% (Supplied via the external DC adapter)
<b>Current Consumption</b>	100mA Max.
<b>Operating Temperature</b>	0°C ~ 40°C
<b>Storage Temperature</b>	-20°C ~ 60° C
<b>Dimensions &amp; Weight</b>	148mm (W) x 115mm (D) x 39.6mm(Height), 380g

**ACCESSORIES AND CABLES**

Part Number	Description	Additional information
<b>NC14003-T205/U</b>	FS- 102AT 2 Port KVM Switch supporting PS/2 Keyboards	Includes 2 x 1.8M cables and stand
<b>NC14003-T206/E</b> English	FS- 102ATU 2 Port KVM Switch supporting PS/2 Keyboards & USB Hub	Includes 2 x 1.8M cables and 2 x 1.8M USB cables, stand and English AC Adapter unit
<b>NC14003-T206/U</b> Euro	FS- 102ATU 2 Port KVM Switch supporting PS/2 Keyboards & USB Hub	Includes 2 x 1.8M cables and 2 x 1.8M USB cables and stand and European AC Adapter unit
<b>FS-C101D</b>	Daisy Chain cable for Master/Slave configuration option	Optional Fujitsu Components supplied part.
<b>FS-C103A</b>	3 Meter cable option	
<b>FS-C103U</b>	3M USB cables option	Only suitable for FS102-ATU

Windows 95®, Windows98®, Windows2000®, Windows Millennium®, WindowsNT4.0® are all trademarks of Microsoft Corporation  
All other trademarks are the property of their respective owners.

Desktop Keyboards – Notebook Keyboards – Mice – Embedded Pointing Devices  
Touch Panels – Keyboard Video Mouse Switches  
Please note that this information may be subject to change  
Created July 2002  
Title :-SERVIS 2 Port AT & ATU KVM Switch Specification.doc Issue 4.0



THE POSSIBILITIES ARE INFINITE

## Free Manuals Download Website

<http://myh66.com>

<http://usermanuals.us>

<http://www.somanuals.com>

<http://www.4manuals.cc>

<http://www.manual-lib.com>

<http://www.404manual.com>

<http://www.luxmanual.com>

<http://aubethermostatmanual.com>

Golf course search by state

<http://golfingnear.com>

Email search by domain

<http://emailbydomain.com>

Auto manuals search

<http://auto.somanuals.com>

TV manuals search

<http://tv.somanuals.com>