

# FMWCC44

## Slipcase

### Installation Guide

#### Stylistic LT C-500

These instructions provide details on using the FMWCC44 slipcase. This case is designed for use with your pen tablet. The slipcase provides added protection when transporting, using, or storing the pen tablet.

**Note:** Prior to installing your pen tablet in the slipcase, be sure to install a screen protector on the screen. It is difficult to install a screen protector once the system is in the slipcase.

To install your pen tablet into the slipcase, open the top flap of the slipcase. The flap is secured by three snaps and a Velcro® strip (see Figure 1).

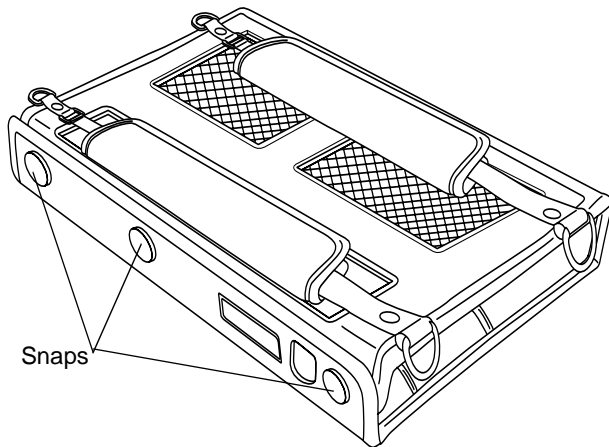


Figure 1. Stylistic LT C-500 Slipcase - Rear

Slide the pen tablet into the case, bottom first, with the screen facing the open window (see Figure 2). Reattach the flap on the top of the slipcase.

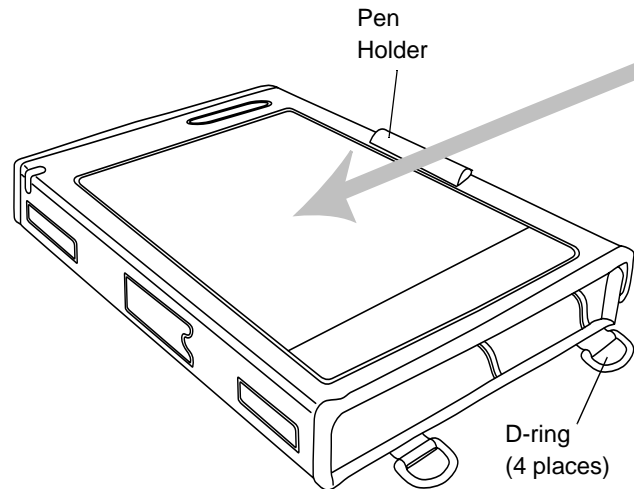


Figure 2. Stylistic LT C-500 Slipcase - Front

To adjust the fit of the hand straps on the back of the case, peel apart the two Velcro®-backed flaps comprising each strap. Adjust the length of the strap by peeling the strap away from the flap and adjusting it to the desired length.

To secure the shoulder strap, attach the strap clips to two of the D-rings. The slipcase can be carried vertically or horizontally, depending on how you orient the clips.

## Free Manuals Download Website

<http://myh66.com>

<http://usermanuals.us>

<http://www.somanuals.com>

<http://www.4manuals.cc>

<http://www.manual-lib.com>

<http://www.404manual.com>

<http://www.luxmanual.com>

<http://aubethermostatmanual.com>

Golf course search by state

<http://golfingnear.com>

Email search by domain

<http://emailbydomain.com>

Auto manuals search

<http://auto.somanuals.com>

TV manuals search

<http://tv.somanuals.com>