

Table of contents

Installation options . . . . .	174	Dimensions for the installation cavity. . . . .	180
Kitchen Design – basic terms . . . . .	175	Door panel dimensions . . . . .	181
Cabinetry style & cut-out depth . . . . .	176	Planning example for an individual appliance. . . . .	182
Additional planning notes . . . . .	177	Planning example for a side-by-side solution . . . . .	183
Door swivel range . . . . .	177	Planning examples. . . . .	184
Appliance dimensions		Planning information . . . . .	186
Wall clearance RC/RF/RW . . . . .	178	Toe-kick area/upper molding of cut-out. . . . .	188
Appliance dimensions		Installation accessories . . . . .	189
Wall clearance RB/RY . . . . .	179		

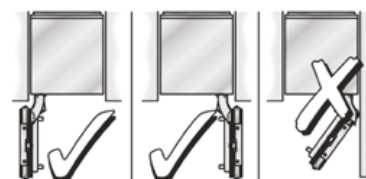


The modular refrigerator and freezer column concept from Gaggenau offers you a variety of installation possibilities. In some instances, special accessories are required!

### Individual column installations

Any appliance can be installed as a stand-alone unit. Ensure a cutout flush to the appliance at a depth of minimum 4" (102mm), preferably 6" (152 mm) on the top and sides.

Note: It is absolutely essential to ensure that the appliance is installed in such a way that the doors do not interfere with an adjacent wall or other kitchen elements.



### Side-by-Side installations (SxS)

The proper installation of any side-by-side two column combination requires an installation kit (RA 460 000). It combines two individual units into a side-by-side unit. For combinations that involve freezers and wine columns, this kit is already pre-installed to the unit. For all other SxS combinations or instances where any appliances are installed less than 6" (152 mm) apart from another but not connected SxS, a heating kit (RA 460 010) is required.

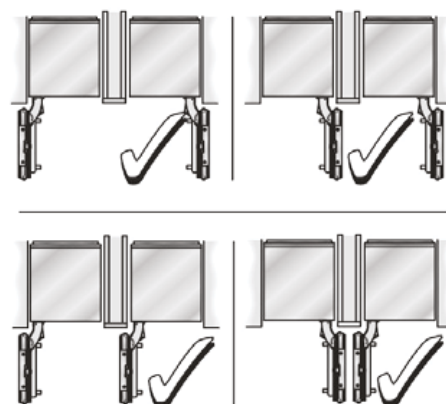
Note: A partition of minimum 5/8" (16 mm) is required to ensure the doors do not interfere with one another when opened. Use a partition to separate appliances and observe the door swivel range. (See page 177 for details on door swivel range dimensions.)



### Multiple column installations with partition walls between

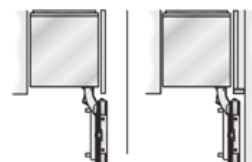
When dimensioning the partition, note the thickness of the door panel (including handles) as well as the swivel range (see page 177 on swivel range) to prevent damage if the doors are opened at the same time. If the thickness of a partition between two products is less than 6", then a heating kit (RA 460 010) is required. It must be installed on the right side wall of the left-side appliance.

Three appliances can be installed together only if a partition — minimum 5/8" (16 mm) — is placed between two of the appliances. Ensure that door panel thickness (including handles) as well as the swivel range are accounted for.



### At the end of a cabinetry run

All Gaggenau refrigeration appliances must be completely enclosed on the top and sides. If one side of the appliance is visible, a decorative side panel must be used for covering it. This side panel must be properly affixed to the floor, room wall and any overhead furniture/ fixtures before the appliance is placed in the cutout.



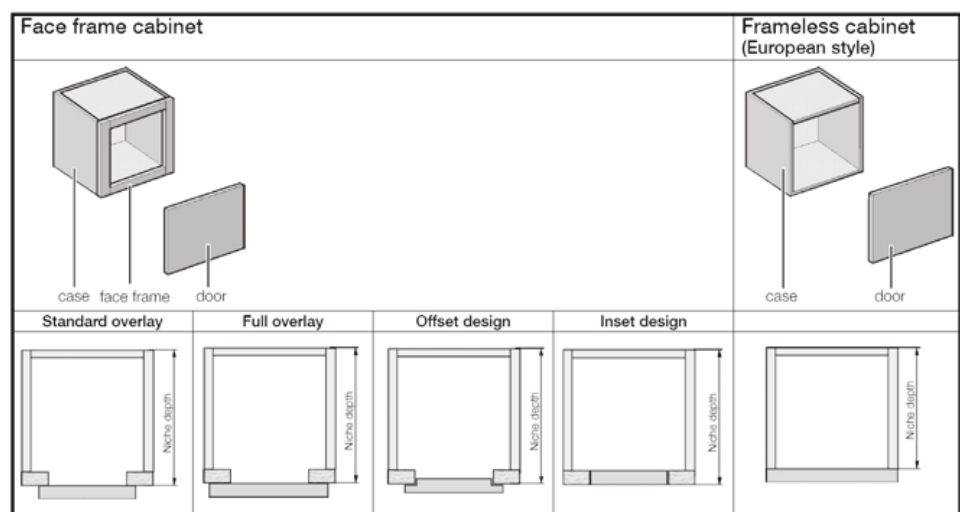
To clarify the terms which are used in this planning guide, please refer to the following definitions:

<b>Case</b>	This is the main body of a kitchen cabinet.
<b>Face Frame (Cabinet)</b>	This is a decorative frame at the front of a kitchen cabinet and is typical for North America. Variations by manufacturer in kitchen design construction may purposely have a clearly visible face frame that is a part of the kitchen aesthetics. European design and styling of cabinets (frameless cabinetry) typically do not have a frame.
<b>Door</b>	The kitchen cabinetry door panel is the element of kitchen furniture largely defining the aesthetic design of a kitchen. It can have any conceivable look – from modern to traditional. In this planning guide a 3/4" (19 mm) thick door panel is presumed.
<b>Appliance Door Panel</b>	The modular refrigerator and freezer columns from Gaggenau are intentionally designed to be equipped and delivered with custom made appliance door panels that perfectly match the end-user's installed kitchen cabinetry. Typically the normal appliance door panel thickness is expected to be 3/4" (19 mm). However, a thicker appliance door panel can be accommodated if such door panels are used on the end-user's kitchen cabinetry or in order to emulate the look of the visible face frame (addition to the door) on the refrigerator as well.
<b>Cutout (Niche)</b>	The cutout is the cavity where a Gaggenau refrigerator or freezer is installed. The width of the cutout (18", 24", 30", ...) is dependent on the appliance. The cutout depth is equal to the depth of the kitchen cabinet (case+face frame). It does NOT include the thickness of the cabinetry door panel. For proper planning of the cutout depth, please refer to the respective chapter on page 180 in this planning guide.

The main idea of the Gaggenau modular refrigerator and freezer column concept is, that you can simply replace any standard size kitchen cabinet with a refrigerator column. You can create a suitable cutout by leaving a respective gap between two tall cabinets. Alternatively you may create an enclosure, that the appliance will fit into. However this is not the original design intent (basic idea).

When planning the installation cutout, it is important that the side walls are completely flush! Please make sure that there is not any kind of face frame at the front of the cutout. If, for some reason this is not the situation, please make sure that the depth of this face frame (furniture return) is more than 4" (100 mm) so that the appliances can be properly secured.

**Kitchen Cabinetry Illustration**



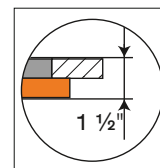
As previously described, the required depth of the installation cavity is mainly dependent on the kitchen design. Gaggenau refrigerator and freezer columns are designed for a cutout depth of 24" (610 mm). So, if the kitchen cabinet (case + face frame) is 24" deep, this should accommodate many standard installations.

**Please be advised that additional depth may be required for kitchen designs intending the look of flush fascia across the cabinetry and the refrigerator door panel.**

**The below cabinetry styles detail requirements for the cutout and custom panel.**

### A) Standard Overlay Design – 25" (635 mm) cutout depth

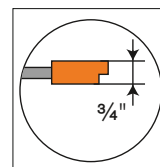
On a kitchen with standard overlay cabinetry, the face frame is also an important part of the design. If the same aesthetics are to be continued on the refrigerator, then not only the door cabinetry panel thickness (e.g.  $\frac{3}{4}$ " ) is included, additionally the face frame thickness must be emulated. Thereby the resulting thickness of the appliance door panel is  $\frac{3}{4}$ " +  $\frac{3}{4}$ " =  $1\frac{1}{2}$ " (face frame emulation + door panel = custom appliance door panel). This cumulative thickness of the resulting custom appliance door panel requires added depth for the installation cavity. Example  $24" + \frac{3}{4}" = 24\frac{3}{4}"$  (recommended is 25").



appliance door panel  
(emulating a face frame)

### B) Full Overlay Design – 25" (635 mm) cutout depth

The above mentioned requirements are of course also valid for kitchens with full overlay design. However there are some chances to work with a cutout depth of 24": For this, the small remaining visible area of the fully overlaid face frame has to be emulated within the standard appliance door panel thickness of  $\frac{3}{4}$ ". This can be done by simply ignoring the visible area of the face frame on the refrigerator ("extended size" of the appliance door panel) or by emulating the face frame by creating a respective "nose" on the appliance door panel (see drawing).



appliance door panel with nose

### C) Offset Design, Flush Inset Design – 25" (635 mm) cutout depth

Here, the kitchen cabinetry door panels are NOT completely mounted on the cabinet, but partially or fully inserted into the face frame. Due to this, such offset or inset design kitchens do not gain sufficient installation depth by the door panel. If any appliance door panel (thickness e.g.  $\frac{3}{4}$ " ) is installed on the refrigerator, the complete depth dimension of the "paneled refrigerator" will be  $24" + \frac{3}{4}" = 24\frac{3}{4}"$  (629mm). The minimum depth of the cutout is therefore also  $24\frac{3}{4}"$  (recommended is 25").

### D) European style kitchen cabinetry – 24" (610 mm) cutout depth

If the kitchen design is based on European style cabinetry, there is no need to emulate the look of a face frame, as such a frame does not exist on any of the kitchen cabinets. Therefore a 24" (610 mm) deep cutout will always be sufficient.

#### 24" Cutout depth is sufficient for:

- frameless cabinetry kitchen design with any kind of appliance door panels
- standard overlay or full overlay kitchen design with appliance stainless steel door panels.
- full overlay kitchen design with appliance custom door panels with "extended size" or with "nose" (to emulate face frame look).

#### 25" Cutout depth is required for:

- standard or full overlay kitchen design with appliance door panels with thickness bigger than  $\frac{3}{4}$ " (to emulate face frame look)
- offset or inset design kitchens with any kind of appliance door panels

### Additional planning notes

Read all instructions in the installation manual completely and carefully prior to installation. Installation manuals are supplied with the appliance and are also available at [www.gaggenau-usa.com](http://www.gaggenau-usa.com).

Refrigeration appliances are top heavy and must be secure to prevent the possibility of tipping forward. Anti-tip protection is required.

Keep doors closed until the appliance is completely installed and secured per installation instructions.

Due to size and weight of appliance and to reduce risk of personal injury or damage to the product – **TWO PEOPLE ARE REQUIRED FOR PROPER INSTALLATION.**

When installing a refrigeration appliance next to a BO/BS oven with handle (optional), a side clearance of 2 3/8" (60 mm) is required if the BO/BS handle is on the same side as the hinge of the refrigeration appliance.

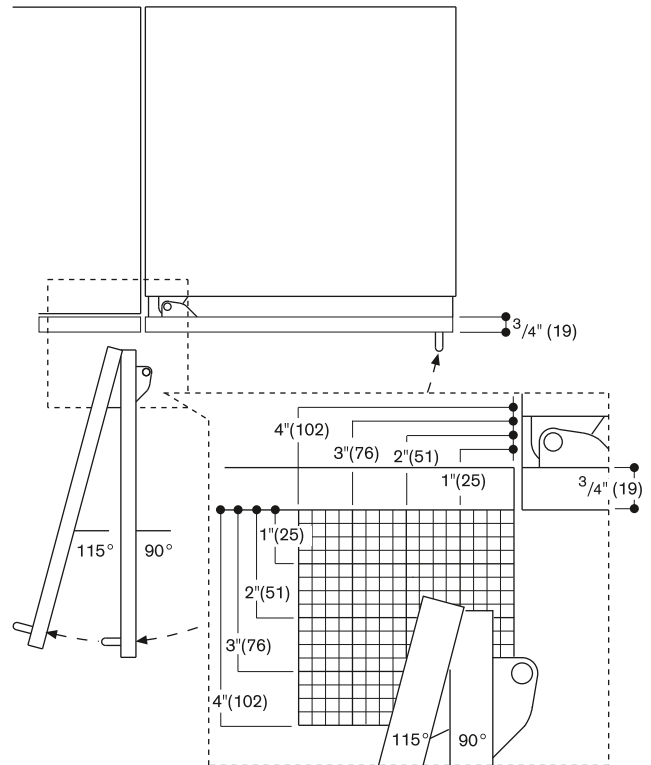
### Door swivel range

To ensure correct kitchen planning it is essential to take opening angle of the appliance door into account (plus fitted cabinet door and handle). There should be no possibility of collision with other kitchen furnishings (worktops, handles of other cabinetry etc.) or parts of the room (walls, protrusions etc.).

The space needed for the hinge and the consequential distance to the adjacent cabinetry and its handle can, depending on the panel thickness, be seen in the following drawing. The drawing assumes a panel thickness of 3/4".

- Restrict the door opening angle to 90° (standard 115°) with a door stop pin installed into the hinge.
- Install a spacer between the appliance and the kitchen element that creates the interference.
- Rearrange surrounding cabinetry or appliance.

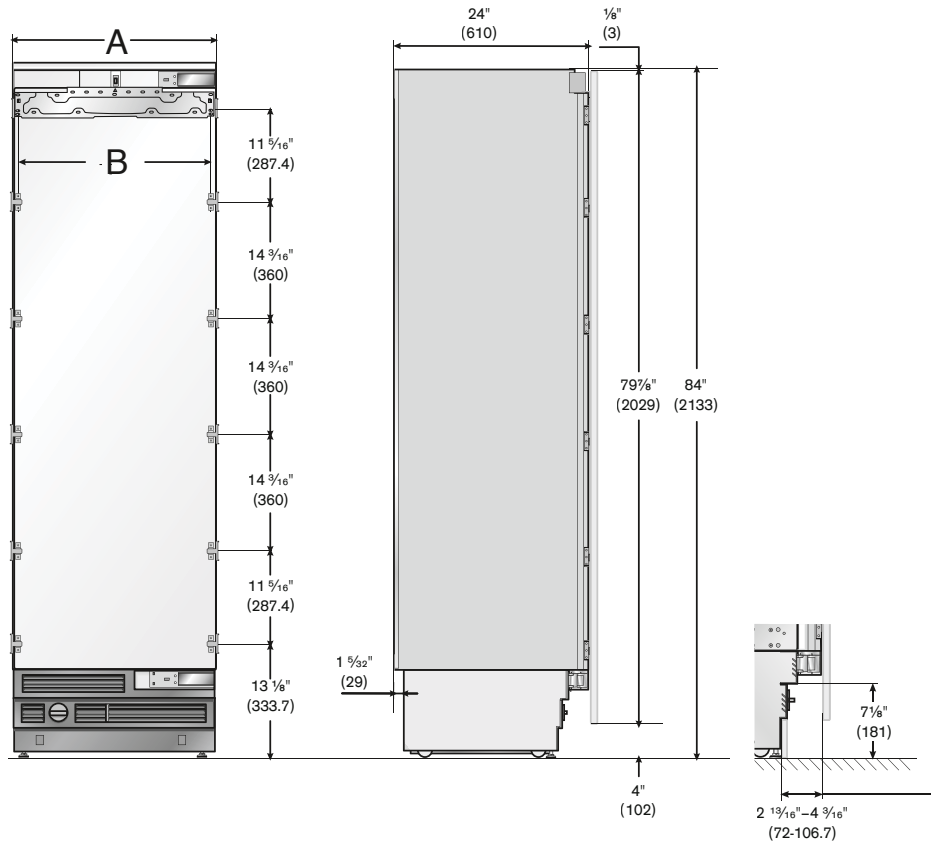
### Door opening angle



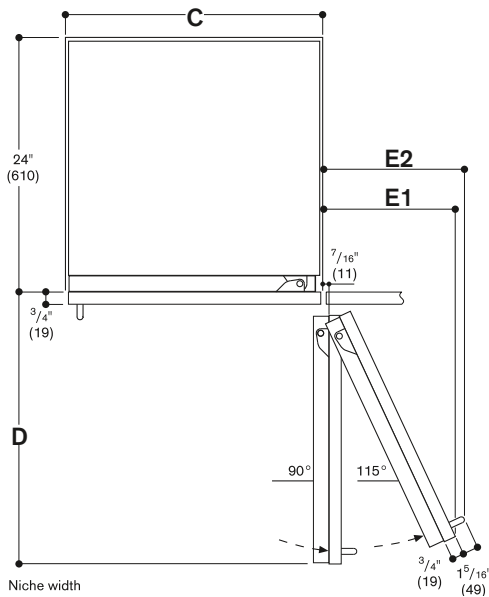
The space required for the hinge and the consequential distance to the adjacent unit and its handle can be seen in the above drawing, depending on the thickness. The drawing assumes a panel thickness of 3/4" (19 mm).

Numbers indicated  
inside parenthesis ( ) = mm

# Appliance dimensions & Wall clearance RC/RF/RW (single-door columns).



## Wall clearance RC/RF/RW



Appliance type	A	B	C	D	E1	E2
18" models	17 3/4" (451)	14 1/8" (385)	18" (457)	20 11/16" (525)	9 1/4" (235)	10 7/16" (265)
24" models	23 3/4" (603)	21 3/16" (538)	24" (610)	26 5/8" (677)	11 3/4" (299)	13" (330)
30" models	29 7/8" (756)	27 3/16" (690)	30" (762)	32 11/16" (830)	14 5/16" (363)	15 9/16" (395)

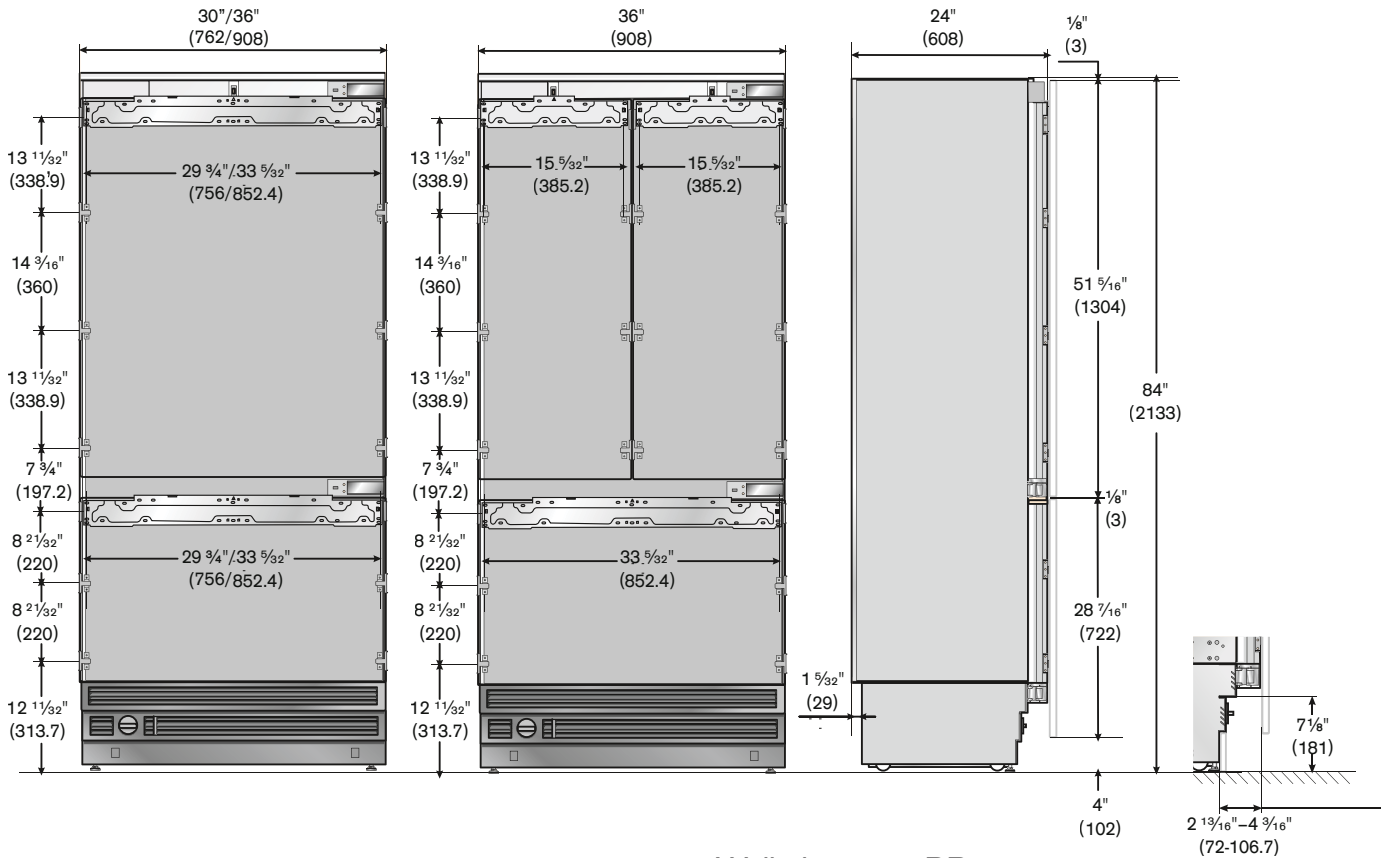
### Notes

- The leveling feet have an adjustment range of +1 3/8" to -1/2". The standard height displayed in the pictures is 1/2".
- For proper ventilation of the appliance, the clearance between the floor and bottom edge of the

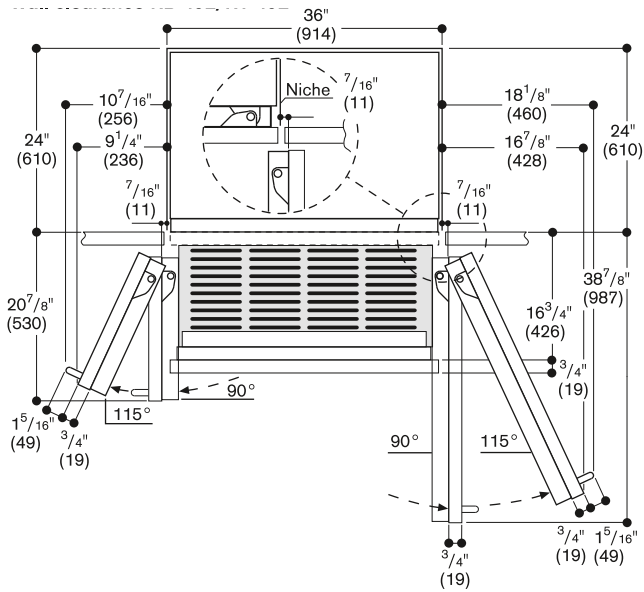
- cabinet front must be at least 3 5/16".
- Dimension "B" indicates width position of door panel fixation brackets.
- The panel thickness of customized doors can range from between 3/4" to 1 7/16".

Numbers indicated inside parenthesis ( ) = mm

# Appliance dimensions & Wall clearance RB/RY (bottom freezers).

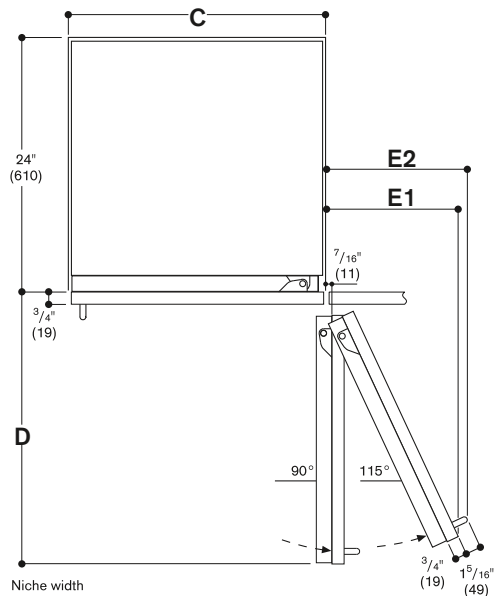


## Wall clearance RB/RY 492



The drawing is based on a cabinet panel width of 3/4" (19 mm) and a Gaggenau cabinet handle height of 1 5/16" (49 mm).

## Wall clearance RB 472



## Notes

- The leveling feet have an adjustment range of +1 3/8" to -1/2". The standard height displayed in the pictures is 1/2".
- For proper ventilation of the appliance, the clearance between the floor and bottom edge of the

- cabinet front must be at least 3 5/16".
- Dimension "B" indicates width position of door panel fixation brackets.
- The panel thickness of customized doors can range from between 3/4" to 1 7/16".

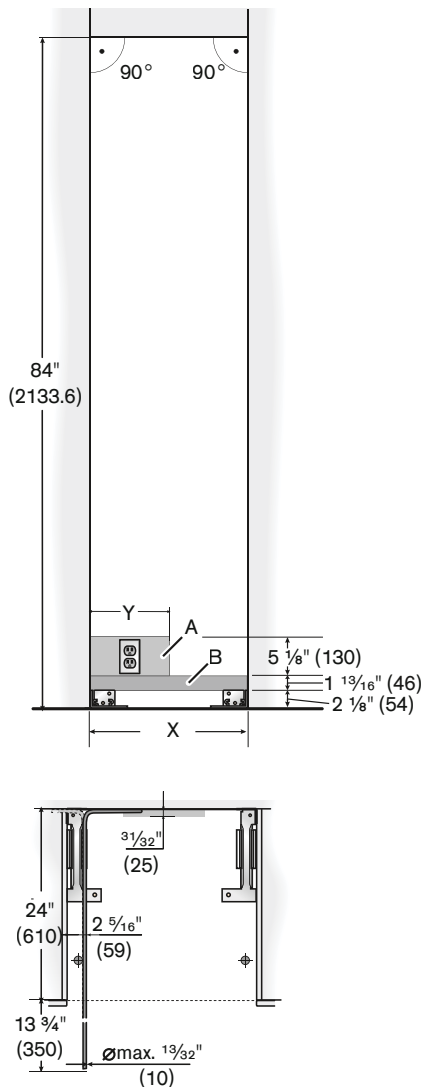
Numbers indicated inside parenthesis ( ) = mm

**Important!**

The walls and the top panel of the installation cutout must be made of a solid material with a thickness of at least  $\frac{5}{8}$ " , to guarantee the secure installation of the appliance. Make sure that the upper boundary is completely flush for a depth of at least 4".  
The side walls of the installation cutout must be completely even and flat along their entire depth.

Unlike conventional built-in appliances, Gaggenau refrigerators stand on the floor. This means that the installation cutout is a space in a line of kitchen units.

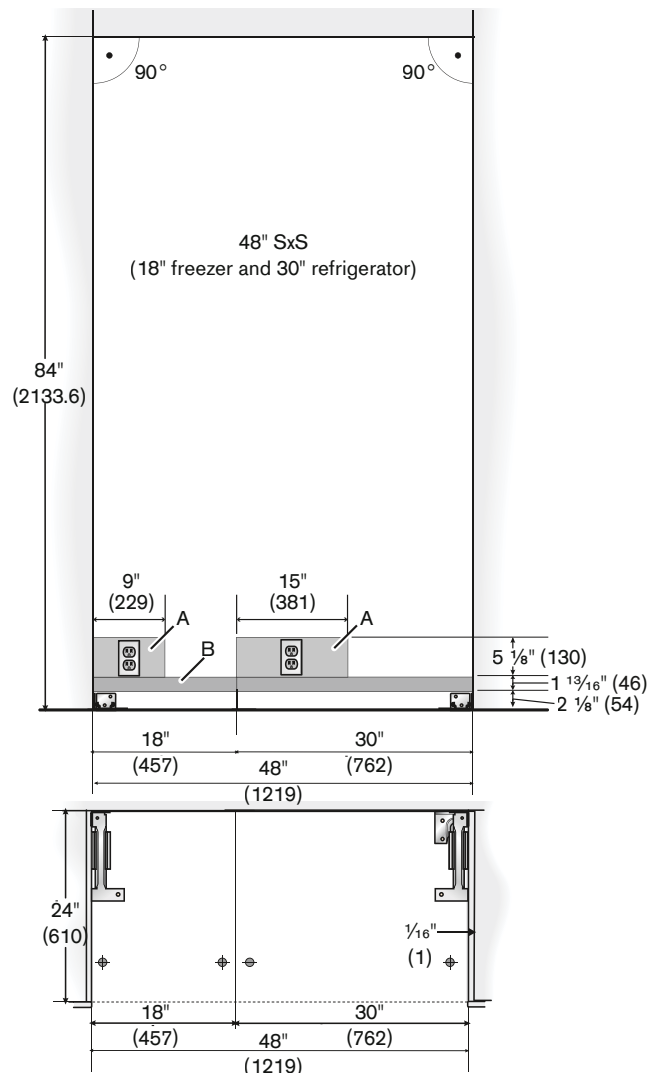
**Installation cutout for an individual appliance:**



Appliance type	X	Y
18" models	18"	9"
24" models	24"	12"
30" models	30"	15"
36" models	36"	18"

**Installation cutout for a side-by-side solution:**

In a side-by-side solution, there are many ways to combine the appliances. The cutout width is calculated from the sum of the widths of the individual appliances. The picture shows an example of an installation niche with a width of 48", for installing a freezer (18") on the left-hand side and a refrigerator (30") on the right-hand side. The height and depth of the installation cutout correspond to the specifications for the individual appliances. It is important to comply with the dimensions in the area set aside for electric and water connections. For the precise dimensions, please refer to the details given for individual appliances.



- A: Area where the electrical connection is installed (appliance socket).
- B: Area for running the water line (if required). It is recommended to position the water box adjacent to the installation cutout so that maintenance and repair work is possible without dismantling the appliance.

Numbers indicated inside parenthesis ( ) = mm



Gaggenau refrigeration appliances are designed to be equipped with a decorative door panel. A panel can be custom-made or purchased as a stainless steel accessory. Below diagrams illustrate the dimensions of the stainless steel panel accessories and can be used as a guide in creating custom panels. At 79 7/8" (2029 mm) tall, they are designed for a toe kick height of 4" (102 mm), and a total cutout height of 84" (2134 mm) yielding 1/8" (3 mm) reveals. At 3/4" (19 mm) deep, they are designed to attach to the 24" (610 mm) deep appliance for an overall depth of 24 3/4" (629 mm). See page 176 for cutout planning.

When using custom panels, always ensure that the panel reverse is finished to match the exterior, as parts of the panel reverse will be visible when the refrigerator door is opened.

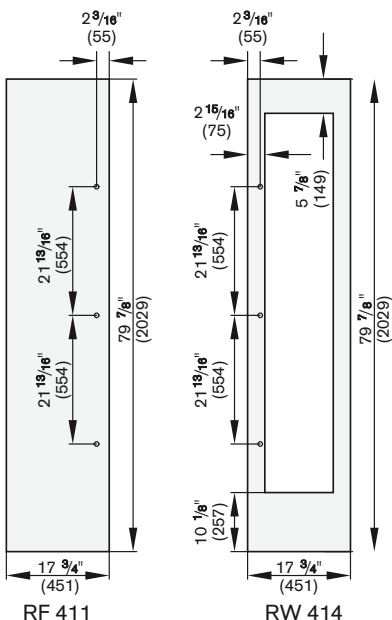
**Important!**

While these diagrams can serve as a general guide in planning panel dimensions, the correct panel dimensions are dictated by design choices including style and dimensions of surrounding kitchen cabinetry, case and toe kick height, etc. Please ensure careful planning based on the specific kitchen design.

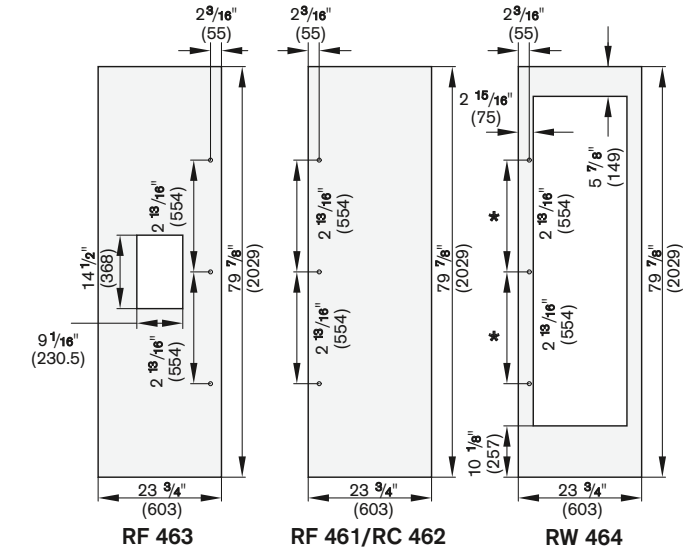
**Maximum permitted door panel weight  
(for each door front)**

Appliance width		
18"	without ice and water	40 lbs.
24"	with ice and water	139 lbs.
24"	without ice and water	88 lbs.
30"	Cooling zone with one door (RB 472)	77 lbs.
36"	Cooling zone with one door (RB 492)	77 lbs.
	Cooling zone with two doors (RY 492)	126 lbs.
	Freezer compartment drawer (RB/RY 492/RB 472)	22 lbs.

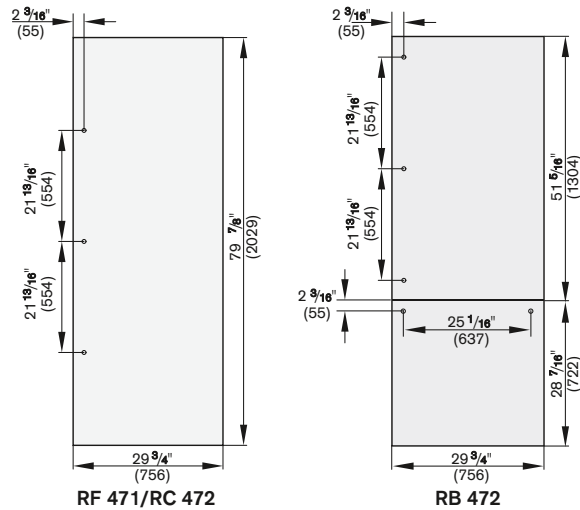
**Appliance width 18"**



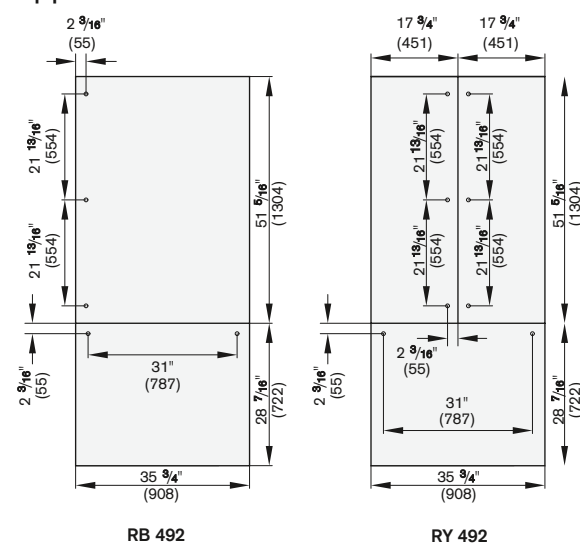
**Appliance width 24"**



**Appliance width 30"**



**Appliance width 36"**

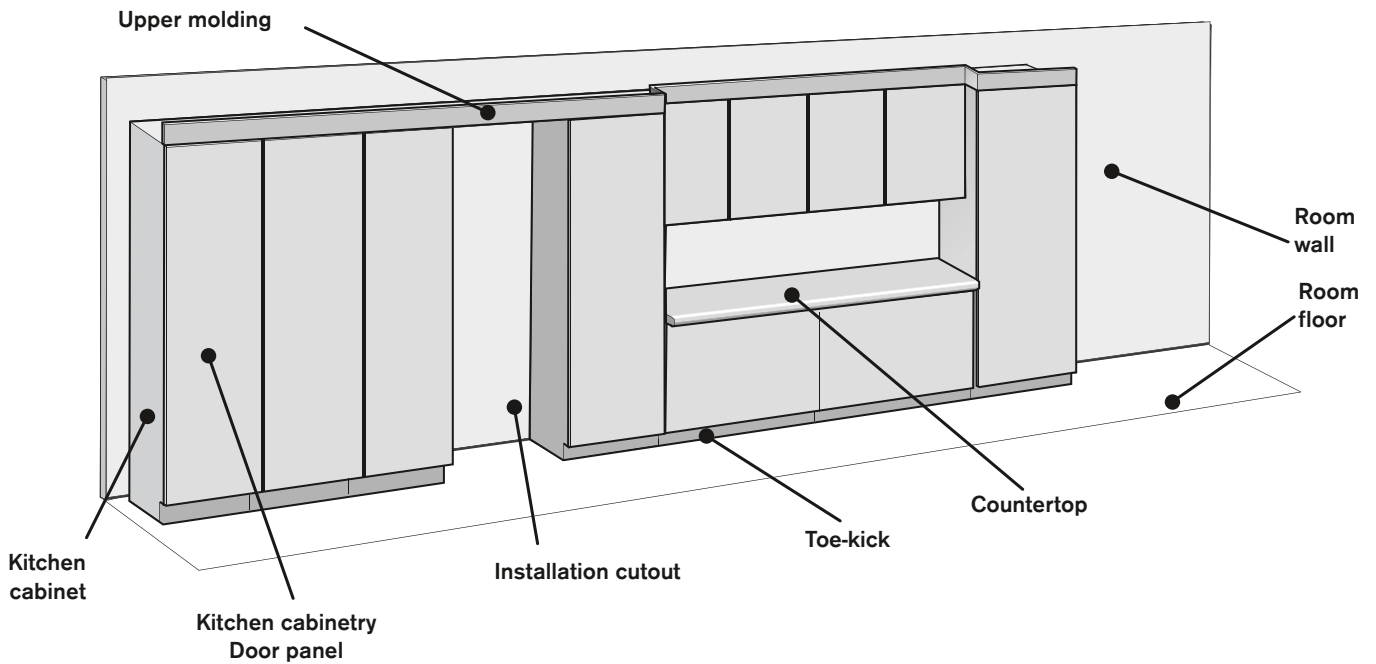


The panel thickness is 3/4".

A: The cut-out for the ice and water dispenser must be horizontally and vertically aligned (centered).

B: The width of the side frame parts for the door for the wine storage unit can vary between 2 1/2" and 3 1/4". However, a width of 2 15/16" is recommended

Numbers indicated inside parenthesis ( ) = mm



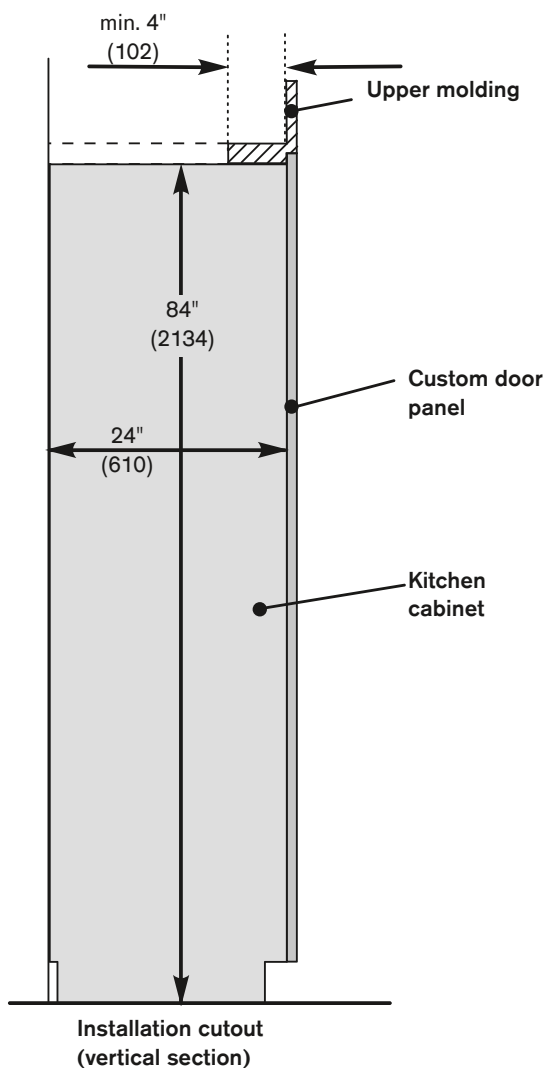
### Cutout for an individual 30" refrigeration appliance

In this example, the installation cutout is formed by two tall cupboards (left and right) with an appropriate upper molding to the niche.

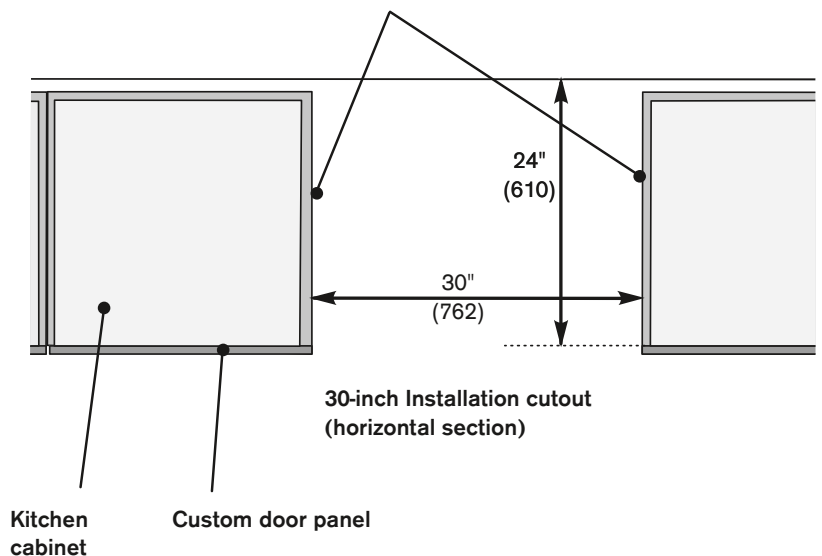
The custom door panel  $\frac{3}{4}$ " for the appliance comes in an identical design to the other kitchen cabinetry.

Requirements for the cutout:

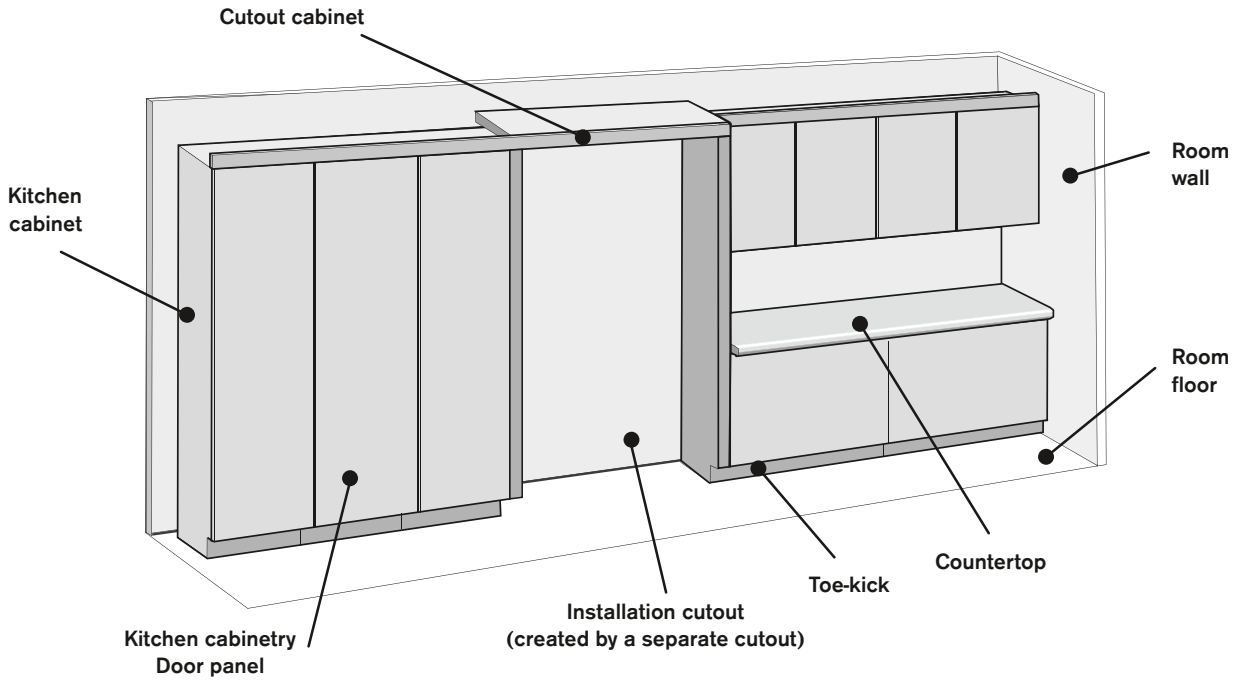
- The top and side walls of cutout interior are completely flush, of solid material and at least 4" (120 mm) deep.
- Cutout width is exactly 30" (762 mm)
- Cutout (case) depth is 24" (610 mm) – does not include door panel.



The side walls of installation cutout must be completely even and flush to appliance.



Numbers indicated inside parenthesis ( ) = mm

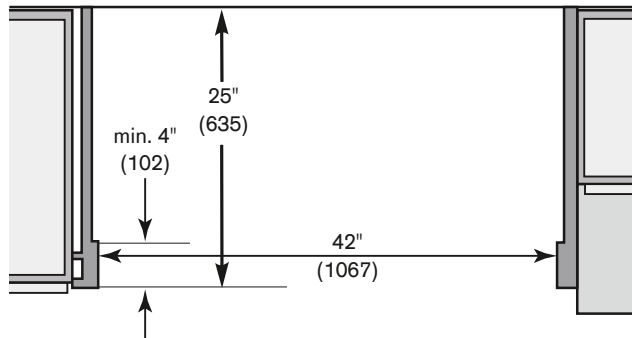
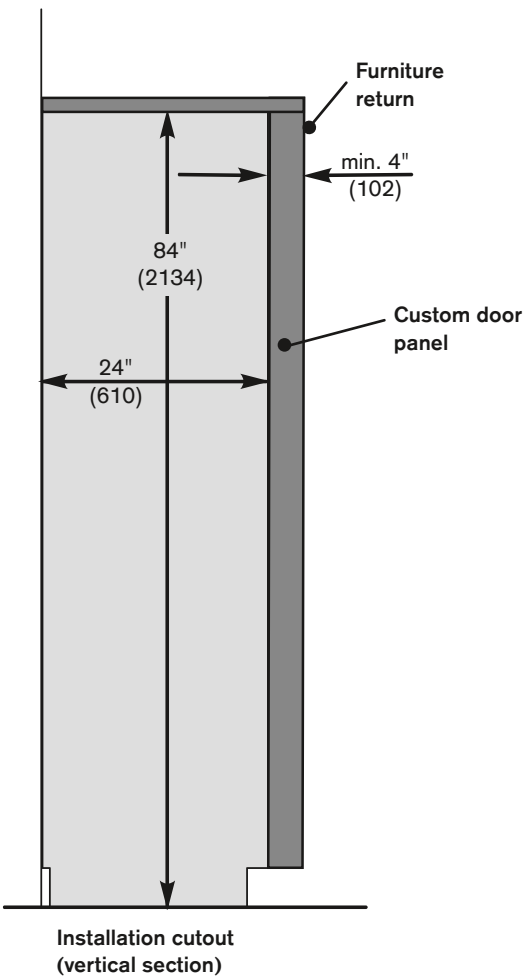


### Cutout for a 42" side-by-side combination

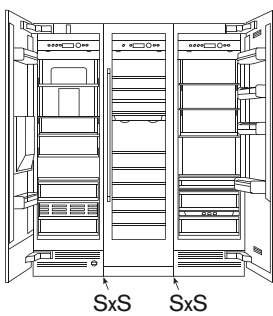
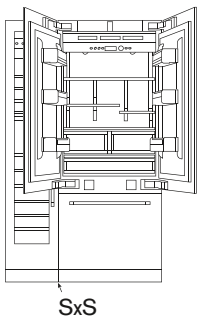
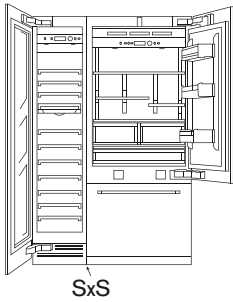
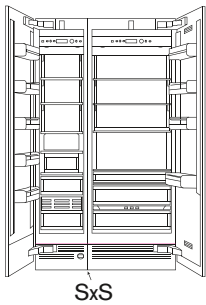
In this example, the installation cutout is formed by creating a separate cutout around the appliances. It yields a look that deviates from the general kitchen design.

The custom door panel has a cumulative thickness of 1 1/2" (38 mm), 3/4" (19 mm) emulating the face frame and 3/4" (19 mm) for the actual door panel). Thus, a 25" (635 mm) deep installation cutout is required.

- cutout width is exactly 42" (for an 18" + 24" = 42" side-by-side combination)
- cutout (case) depth is 25" (635 mm) due to 1 1/2" (38 mm) custom door panel
- any furniture return must be at least 4" (102 mm) deep, on interior top and sides, of solid material and should be finished to match the exterior at the same depth (4" or 102 mm)



Numbers indicated inside parenthesis ( ) = mm




---

### Side-by-side combination

---

RF 414 / RC 472

Usability limitations: No limitation.

Installation accessories: None (Side-by-side kit RA 460 000 comes already pre-installed on all RF freezer and RW wine columns.)

Notes: Door hinges on the outside.

---

### Side-by-Side combination with 36" RB 492 bottom freezer

---

RW 414 / RB 492

Usability limitations: No limitation.

Installation accessories: None (Side-by-side kit RA 460 000 comes already pre-installed on all RF freezer and RW wine columns.)

Notes: Side-by-side combination of a single column with a bottom freezer, door hinges on the outside.

Change door hinge of RW wine column.

---

### Side-by-Side combination with 36" RY 492 French door bottom freezer

---

RW 414 / RY 492

Usability limitations: Not all doors can be opened at the same time. The left door of the RY may collide with the handle of the RW.

Installation accessories: None (Side-by-side kit RA 460 000 comes already pre-installed on all RF freezer and RW wine columns.)

Notes: Fitting the left RY doors at 90° is recommended. Change door hinge of RW wine column.

---

### Combination of 3

---

RF 463 / RW 464 / RC 462

Usability limitations: The doors of RW and RC cannot be opened at the same time.

Installation accessories: None (Side-by-side kit RA 460 000 comes already pre-installed on all RF freezer and RW wine columns.)

Notes: All three appliances must be connected to each other before installation and pushed together into the installation cutout. Independent removal of a single unit not possible.

---

### Maximum distance

---

RF 471 / RF 463 / RW 464 / RC 472

Usability limitations: No limitation.

All doors can be opened fully.

Installation accessories: None (Side-by-side kit RA 460 000 comes already pre-installed on all RF freezer and RW wine columns.)

Notes: Two separate installation cutouts.

Clearance is large enough to open all doors at the same time.

Change door hinge of RW wine column.



## Distance larger than 6"

RF 471 / RF 463 / RW 464 / RC 472

**Usability limitations:** It may be necessary to open the middle doors one after the other, rather than at the same time.

**Installation accessories:** None. SxS\* kit comes already pre-installed on RF and RW.

**Notes:** Two separate installation cutouts. The clearance between the two installation cutouts is larger than 6". Change door hinge of RF 471 and RW wine column.

## Distance less than 6"

RF 471 / RF 463 / RW 464 / RC 472

**Usability limitations:** It may be necessary to open the middle doors one after the other, rather than at the same time.

**Installation accessories:** None. SxS\* kit comes already pre-installed on RF and RW.

1x RA 460 010 HK\*.

**Notes:** Two separate installation niches with a stable plinth between them.

The clearance between the two installation niches is less than 6". Therefore, an additional heating kit is required. Change door hinge of RW wine column.

RF 471 / RF 463 / RW 464 / RC 472

**Usability limitations:** Only one of the middle doors can be opened at once.

**Installation accessories:** None. SxS\* kit comes already pre-installed on RF and RW.

1x RA 460 010 HK\*.

**Notes:** All 4 appliances must be connected to each other before installation and pushed together into the installation niche. Independent removal of a single unit not possible. Change door hinge of RW wine column.

## Combination of 4 – alternative

RF 471 / RF 463 / RW 464 / RC 472

**Usability limitations:** If the middle door is open, then neither of the outer doors can be opened.

**Installation accessories:** None. SxS\* kit comes already pre-installed on RF and RW.

**Notes:** The appliances in the middle are connected side-by-side. Connecting the others will require additional side-by-side kits.

All 4 appliances must be connected to each other before installation and pushed together into the installation cutout.

\*SxS side-by-side kit for side-by-side installation

\*HK additional side heating kit

## Location



**Important**

Do not install appliance

- outdoors
- in damp rooms
- in rooms with a risk of frost

The appliance should be installed in a dry, ventilated room. It may not be installed outdoors. The ambient temperature of the room must be between 55°F

(13°C) and 100°F (43°C).

The appliance should not be exposed to constant direct sunlight or excessive heat. If installation next to a heat source, such as an oven, radiator, etc. is unavoidable, use a suitable insulating plate or observe the following minimum distances from the heat source:

- 1 1/4" (30 mm) from an electric cooking appliance,
- 11 13/16" (300 mm) from an oil or solid-fuel cooking appliance.

## Installation and cutout dimensions

It is important to observe the specified dimensions of the installation cutout for a trouble-free installation of the appliance and for the subsequent appearance of the door panel.

- In particular ensure that the cutout is square. Squareness can be checked by suitable means, e.g. spirit level, diagonal measurements, etc.
- The side walls of the cutout must be flush. The minimum thickness of the side and top walls is 5/8" (16 mm). The minimum thickness of toe kick panel is 1/4" (6 mm).

## Furniture/fixtures

During installation, the appliance is fastened to adjacent and overhead furniture/fixtures and it is therefore essential that all such furniture/fixtures are well secured to the substructure or adjacent wall.

## Flooring/substructure



**Important**

A fully loaded appliance is very heavy.  
Can weigh up to 1,200 lbs.

On account of the heavy weight of a fully loaded appliance, a load-bearing substructure is required. To ensure correct installation and function, the support must be flat, level and made of hard, rigid material. If in doubt, contact an architect or a building expert.

Refer to the following table for load-bearing capacity:

Appliance	Load bearing capacity
<b>24" Refrigeration Column</b>	890 lbs. / 400 kg
<b>30" Refrigeration Column</b>	1,110 lbs. / 500 kg
<b>18" Freezer Column</b>	560 lbs. / 250 kg*
<b>24" Freezer Column</b>	780 lbs. / 350 kg*
<b>30" Freezer Column</b>	950 lbs. / 425 kg
<b>30" Bottom Freezer</b>	900 lbs. / 410 kg
<b>36" Bottom Freezer</b>	1,200 lbs. / 540 kg

\*without water dispenser

## Electrical requirements



**Important**

### Electrical shock hazard

- plug into a grounded 3-prong outlet
- do not remove grounding prong
- do not use an adapter
- do not use an extension cord

The appliance comes with a 3-wire power supply cord. UL listed in the USA.

The appliance requires a 3-wire receptacle that is fitted with a 15 Amp fuse or higher.

The receptacle must be installed by a licensed electrician only. For the installation position of the receptacle refer to diagram in "Electrical Location".

### Grounding instruction

This appliance must be grounded. In the event of a malfunction or breakdown, grounding will reduce the risk of electric shock by providing a path of least resistance for the electric current.

### Additional grounding procedure

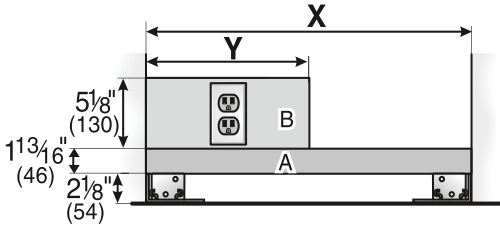
Some local regulations may require a separate ground. In such cases, the required accessory ground wire, clamp and screw must be purchased separately. Never ground the appliance to plastic plumbing lines, gas lines or water pipes.

A 4-conductor cord shall be used when the appliance is installed in an area where local codes do not permit grounding through the neutral. Power supply cord must be replaced by a licensed electrician only.

## Warning

Improper connection of the equipment grounding conductor may result in electric shock. Have the appliance checked by a qualified electrician or service technician if you are in doubt as to whether the appliance has been properly grounded.

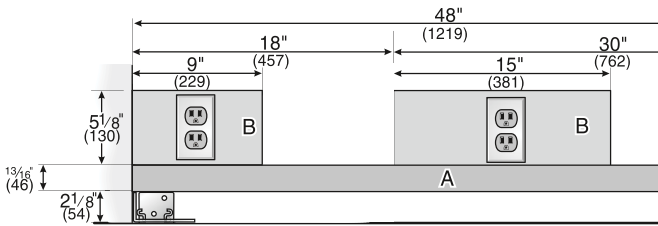
## Electrical location



## Split column installation

	18-inch	24-inch	30-inch
<b>X</b>	18" (457 mm)	24" (610 mm)	30" (762 mm)
<b>Y</b>	9" (229 mm)	12" (305 mm)	15" (381 mm)

## Side-by-side installation



## Water location

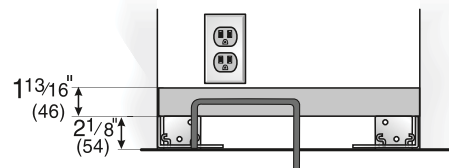
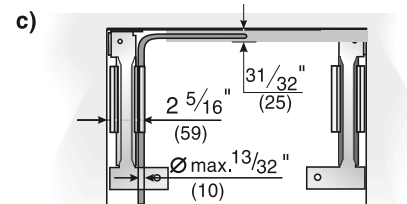
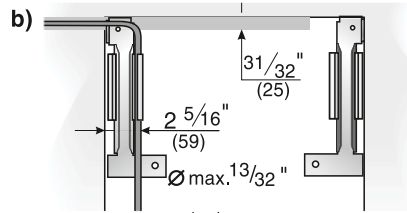
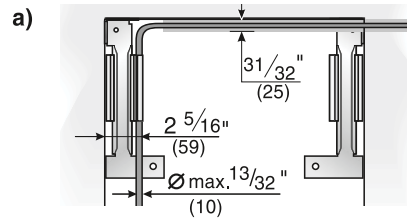
A cold water connection is required for appliances that feature an ice maker or an ice and water dispenser.

The water pressure must be between 40 and 120 p.s.i. (2.75-8.25 bar). The installation must comply with local plumbing regulations.

A separate shut-off valve must be installed for the appliance water connection.

The shut-off valve for the water connection may not be behind the appliance. It is recommended to place the shut-off valve outside the cutout next to the appliance or in another easily accessible location. When installing the water connection, observe the permitted installation areas for the water supply line.

The supply line can be located to the right (a), to the left (b), or underneath (c).



## Warranty

Gaggenau offers a **2-year** standard warranty on all refrigeration appliances.

For 2 years, from the date of purchase, Gaggenau will provide, free of charge, parts and service labor. A 7 year limited warranty will be provided on sealed refrigeration system\*, on parts and labor. A 12 year limited warranty will be provided on sealed refrigeration system, on parts only.

\* Sealed refrigeration system includes compressor, evaporator, condenser, dryer/strainer and connecting tubing.

Numbers indicated inside parenthesis ( ) = mm

## Toe-kick and venting grill

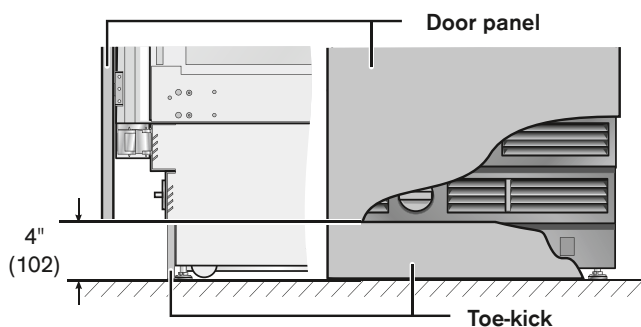


### Important

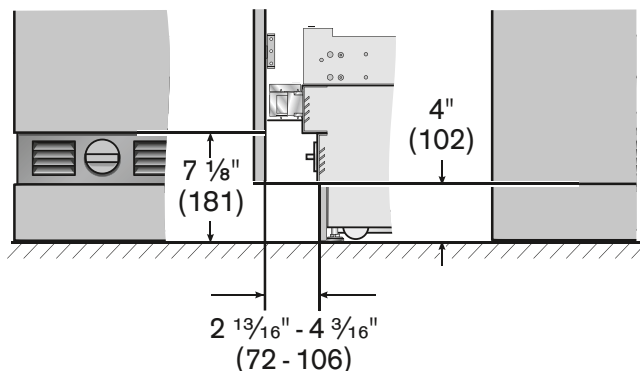
Poor ventilation leads to damage to the appliance. Under no circumstances is it permitted to cover the air inlets and the exhaust air outlets of the appliance in the lower base area.

You must observe the minimum distance of 4" between the upper edge of the floor and the bottom edge of the door panel of the appliance. Pay attention to the height adjustment for the appliance by leveling the legs.

In relation to the standard height, the maximum height of the toe-kick is 4". The toe-kick can be maximum 3/4" thick. Velcro adhesive strips are supplied on the front panel of the appliance to fasten the toe-kick to the appliance. The venting grill and the exhaust air outlets of the appliance, as well as the access to the water filter (if available) are located above the toe-kick area. They must not be covered.



For design reasons, it may be necessary to increase the distance between the upper edge of the floor and the bottom edge of the door panel of the appliance, so that it extends beyond the standard dimension of 4". The maximum dimension is 7 1/8". The toe-kick thickness must not exceed 3/4". If this is the case, ventilation grill, exhaust air outlets and the access to the water filter would become visible.



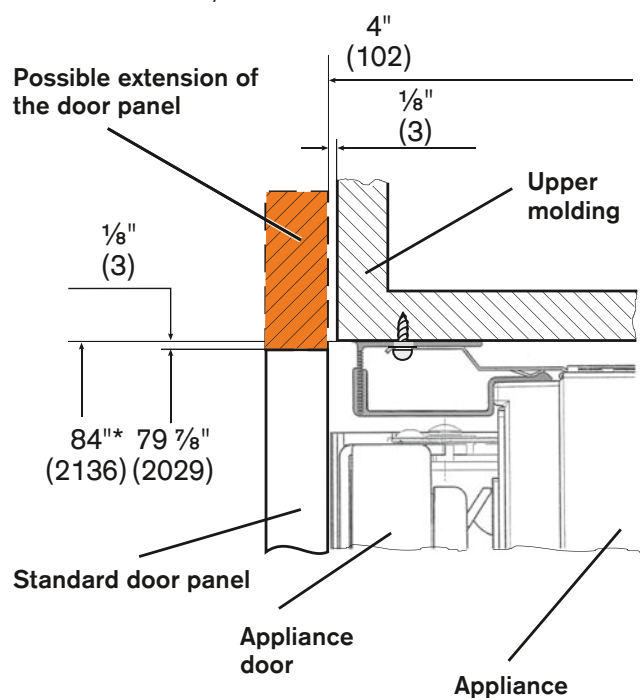
## Upper molding

The planning of decorative upper molding above the cutout requires taking into account the actual or desired height of the door panel.

The overall height of the door panel will depend on:

- the height of the appliance, typically 84" (2134 mm) – leveling legs allow height adjustment ranging from -1/2" (-13 mm) to +1 3/8" (+35 mm)
- the installed height of the door panel (distance from the bottom edge of the door panel to the floor, typically 4" (102 mm), and, if desired, any extension of the custom panel above the appliance cutout)
- the appliance type (single door or bottom freezer)

## Vertical section, side view



\* Adjustment in leveling legs: -1/2" (-13 mm) to 1 3/8" (35 mm)



### Important

Please recall that a panel should be installed at a minimum height of 4" (102 mm) from the floor to allow proper ventilation of the appliance.

Always ensure that the top of the cutout or upper decorative molding is at least 4" (102 mm) deep, so that the refrigerator can be properly secured to the cutout wall. This is particularly important if a protruding cutout is specially created and configured with a face frame. Furniture returns for any face frame must be a minimum of 4" (102 mm) deep.

Numbers indicated inside parenthesis ( ) = mm



### RA 460 000 Side-by-Side kit

When two single columns are connected to a side-by-side combination, the side-by-side kit must be used.

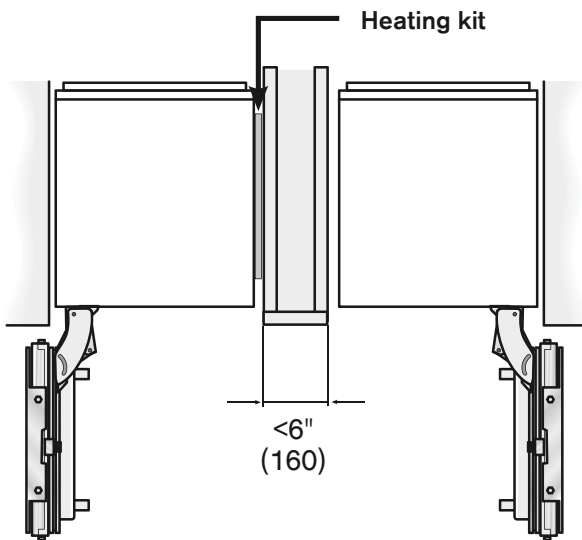
**Please note:** This kit comes already included with freezer and wine storage units. This kit is only required for combinations that do not include freezer or wine storage (i.e. RC fresh food column and RB/R Y bottom freezer).

### RA 460 010 Heating kit

If two columns are installed in separate cutout niches (any configuration) and if the distance in-between these units is less than 6" (160 mm), this special accessory is required. Included is a thin heater blanket for placement on the right side-wall of the left unit. This heater blanket will eliminate the temperature influence of the close installation so that humidity effects and condensation will not occur.

If the installation distance exceeds 6", the accessory is not required.

**Please note:** This kit is also recommended for use with any installation in areas that are subject to extreme humidity.



### RA 425 110

Long handle for RB 472/492 and RY 492. Stainless steel. Length 44 1/2", with three brackets. Drilling distance between each mount 21 13/16".

### RA 425 910

Short handle for 36" RB/R Y 492 freezer drawer. Stainless steel. Length 31 7/8" with two brackets. Drilling distance between the mount 31".

### RA 425 710

Short handle for 30" RB 472 freezer drawer. Stainless steel. Length 25 7/8" with two brackets. Drilling distance between the mount 25 1/16".

### RA 460 020 / 030 Connecting element for cabinet doors

If an appliance front panel of 30" or 36" wide column needs to be divided into two parts to match the kitchen furniture design, these unification parts can be used for safely combining them. There are two different kits available. For single door models and for bottom freezer models.

### RA 461.. Stainless steel ventilation grills

Ventilation grills located on the refrigerator base are also available in stainless steel.

**Please note:** Stainless-steel grills are available for all models (width/type) and installation options for left-hinged or right-hinged doors.

### REPLFLTR10 Water filter

Replacement water filter for use in all freezer and bottom freezer models.

### RA 450 000 Filter by-pass

Filter by-pass for use with existing in-home water filtration systems. For all freezer and bottom freezer models.

Numbers indicated  
inside parenthesis ( ) = mm

## Free Manuals Download Website

<http://myh66.com>

<http://usermanuals.us>

<http://www.somanuals.com>

<http://www.4manuals.cc>

<http://www.manual-lib.com>

<http://www.404manual.com>

<http://www.luxmanual.com>

<http://aubethermostatmanual.com>

Golf course search by state

<http://golfingnear.com>

Email search by domain

<http://emailbydomain.com>

Auto manuals search

<http://auto.somanuals.com>

TV manuals search

<http://tv.somanuals.com>