

PARTS LIST

GALAXY CAST-IRON GAS BOILERS

GX and GXH Series, Hot Water and Steam Models

| ITEM NO. | DESCRIPTION | MODEL NUMBER | | | | | | | |
|----------|--|--|-------------------------------|--------------------|------------------|-----------|-----------|-----------|-----------|
| | | GXH-105 GXH-125 | GXH-150 GXH-170 GXH-190 | GXH-210 GXH-230 | GX-225 GX-250 | GXH-250 | GXH-275 | GXH-300 | GXH-300H |
| 1 | Jacket Assembly | 412614 | 412615 | 412616 | 412616 | 412617 | 412617 | 412617 | 412620 |
| 2 | Gas Manifold | 410844 | 410845 | 410846 | 410846 | 410847 | 410847 | 410847 | 410847 |
| 3 | Main Burner Orifice: (sea level) | | | | | | | | |
| | Natural Gas | 410828 | 410828 | 410828 | 411880 | 410828 | 410828 | 410518 | 410518 |
| | LP Propane Gas | 410825 | 410825 | 410825 | 410510 | 410825 | 410825 | 410510 | ** |
| 4 | Burner | 410508 | 410508 | 410508 | 410508 | 410508 | 410508 | 410508 | 410508 |
| 4A | Burner with Pilot Bkt. | 410479 | 410479 | 410479 | 410479 | 410479 | 410479 | 410479 | 410479 |
| 5 | Burner Clip | 410509 | 410509 | 410509 | 410509 | 410509 | 410509 | 410509 | 410509 |
| 6* | Gas Valve: 24VAC Natural Gas | CONSULT FACTORY FOR SPECIFIC GAS VALVE APPLICATION. ALSO SEE PAGE 3. | | | | | | | |
| | 24VAC LP Propane Gas | 411862 | 411924 | 411926 | 411926 | 411926 | 411926 | 411926 | 411926 |
| 7* | Thermocouple | 411925 | 411925 | 411925 | 411925 | 411925 | 411925 | 411925 | ** |
| | 24VAC | 410539 | 410539 | 410539 | 410539 | 410539 | 410539 | 410539 | 410539 |
| | Pilot Generator: Millivolt | 410534 | 410534 | 410534 | 410534 | 410534 | 410534 | 410534 | — |
| 7A | Pilot Tube 1/4 | 410530 | 410530 | 410530 | 410530 | 410530 | 410530 | 410530 | 410530 |
| | Pilot Fitting 1/4 | 411768 | 411768 | 411768 | 411768 | 411768 | 411768 | 411768 | 411768 |
| 7B* | Pilot Assembly: 24VAC Natural Gas | 411805 | 411805 | 411805 | 411805 | 411805 | 411805 | 411805 | 411805 |
| | 24VAC LP Propane Gas | 411858 | 411858 | 411858 | 411858 | 411858 | 411858 | 411858 | ** |
| 7C* | Pilot Orifice: Standing Natural Gas | 411820 | 411820 | 411820 | 411820 | 411820 | 411820 | 411820 | 411820 |
| | Standing LP Propane Gas | 410526 | 410526 | 410526 | 410526 | 410526 | 410526 | 410526 | ** |
| 7D | Access Door | 410754 | 410755 | 410756 | 410756 | 410757 | 410757 | 410757 | 410757 |
| 8 | Base Assembly | | | | | | | | |
| 8A | With Insulation | 412604 | 412605 | 412606 | 412606 | 412607 | 412607 | 412607 | 412607 |
| 8B | Burner MTG Panel | 410744 | 410745 | 410746 | 410746 | 410747 | 410747 | 410747 | 410747 |
| 9 | Heat Exchanger PT/PZT | 402063 | 402064 | 402065 | 402065 | 402066 | 402066 | 402066 | 402066 |
| 9A | Baffle (corrugated) GX ONLY | — | — | — | 410401(1) | 410401(1) | 410401(1) | 410401(1) | 410401(1) |
| 9B | Baffle (flat) GXH ONLY | 411860(1) | 411860(2) | 411860(3) | — | — | — | — | — |
| 9C | Baffle (flat) GXH ONLY | 411861(1) | 411861(1) | — | — | — | — | — | — |
| 9D | Baffle (flat) GXH ONLY | — | — | 411866(1) | — | 411866(1) | 411866(1) | 411866(1) | 411866(1) |
| 9E | Baffle | — | — | 411901(3) | — | 411901(4) | 411901(4) | 411901(4) | 411901(4) |
| 10 | Nipple, 3/4" | 902517271 | 902517271 | 902517271 | 902517271 | 902517271 | 902517271 | 902517271 | 902517271 |
| 11 | Relief Valve (Hot Water) | 400103 | 400103 | 400103 | 400103 | 400103 | 400103 | 400103 | 400103 |
| 11 | Steam Safety Valve | 400107 | 400107 | 400107 | 400107 | 400107 | 400107 | 400107 | 400107 |
| 12 | Tankless Coil w/Gasket Hot Water | 402031 | 402031† | 402032 | 402032 | 402032 | 402032 | 402032 | 402032 |
| | Steam | 402060 | 402060 | 402060 | 402060 | 402060 | 402060 | 402060 | 402060 |
| | Tankless Cover Plate | 400113 | 400113 | 400113 | 400113 | 400113 | 400113 | 400113 | 400113 |
| 13 | Blank Plug, 1/2" | 400239 | 400239 | 400239 | 400239 | 400239 | 400239 | 400239 | 400239 |
| 14 | Well | 410569 | 410569 | 410569 | 410569 | 410569 | 410569 | 410569 | 410569 |
| 15 | "J" Bolt | 400148 | 400148 | 400148 | 400148 | 400148 | 400148 | 400148 | 400148 |
| 16 | Wing Nut | 400147 | 400147 | 400147 | 400147 | 400147 | 400147 | 400147 | 400147 |
| 17 | Flue Collector | 412646¶ | 412657 | 411877 | 412668 | 412668 | 412668 | 412678 | 412692 |
| 18 | Draft Hood | 410891§ | 410893 | 410893 | 410896 | 410893 | 410893 | 410898 | 411938 |
| 19 | Tridicator | 910373061 | 910373061 | 910373061 | 910373061 | 910373061 | 910373061 | 910373061 | 910373061 |
| 20 | Circulator | 7902021 | 7902021 | 400115 | 400115 | 400115 | 400115 | 400115 | 400115 |
| 21 | Circulator Nipple | 400208 | 400208 | 400208 | 400208 | 400208 | 400208 | 400208 | 400208 |
| 22 | Tee | 400203 | 400203 | 400203 | 400203 | 400203 | 400203 | 400203 | 400203 |
| 23 | Drain Cock | 400201 | 400201 | 400201 | 400201 | 400201 | 400201 | 400201 | 400201 |
| 24 | Nipple | 400202 | 400202 | 400202 | 400202 | 400202 | 400202 | 400202 | 400202 |
| 25 | Coupling | 90220105 | 90220105 | 90220105 | 90220105 | 90220105 | 90220105 | 90220105 | 90220105 |
| 26 | Bushing | 902179051 | 902179051 | 902179051 | 902179051 | 902179051 | 902179051 | 902179051 | 902179051 |
| 27 | Fiberglass Rope | 403254 | 403254 | 403254 | 403254 | 403254 | 403254 | 403254 | 403254 |
| 28 | Blocked Vent Safety Switch Assy. 24 VAC | 411921(105) | 411892 | 411892 | 411892 | 411892 | 411892 | 411892 | 411892 |
| | | 411892(125) | — | — | — | — | — | — | — |
| 29 | Blocked Vent Safety Switch Wire | 411899 | 411899 | 411899 | 411899 | 411899 | 411899 | 411899 | 411899 |
| 30 | Wire Support Bracket | — | — | — | — | — | — | 411896 | — |
| 31 | Anti-Short Bushing | 411897 | 411897 | 411897 | 411897 | 411897 | 411897 | 411897 | 411897 |
| 32 | Rollout Safety Switch | 411883 | 411883 | 411883 | 411883 | 411883 | 411883 | 411883 | 411883 |
| 33 | Rollout Switch Brkt. | 411894 | 411894 | 411894 | 411894 | 411894 | 411894 | 411894 | 411894 |

* Standing pilot only. For intermittent ignition, see IID Parts List on page 3.

** For LP Propane gas, consult factory.

NOTE: When ordering, please specify boiler model number, serial number and gas by name: "Natural" or "Propane". Refer to page 4 for exploded view of boiler.

§ GXH-125 = 410892

† GXH-190 = 402032

¶ GXH-105 = 411868

When ordering replacement parts,
specify the boiler model number, serial number
and gas by name (natural or propane). For
replacement parts, heating contractors should
contact their Slant/Fin boiler distributor.

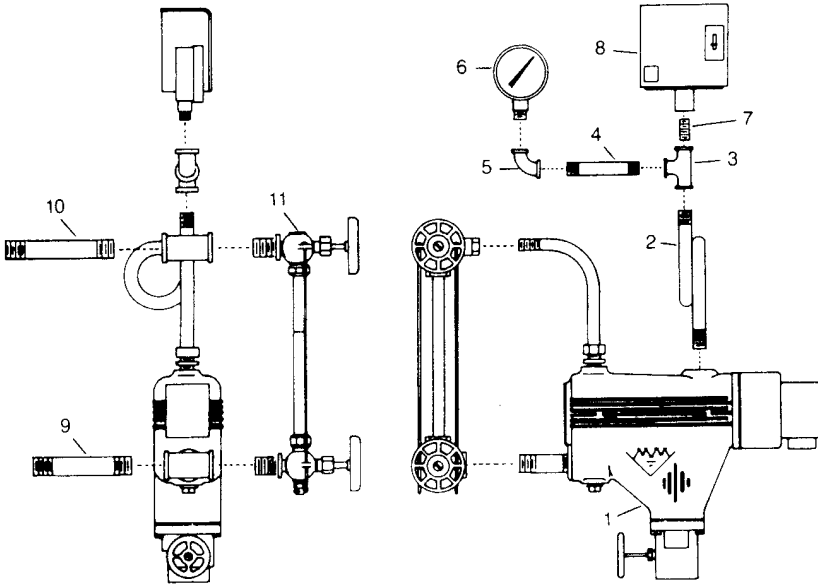


Download from www.Somanuals.com. All Manuals Search And Download.

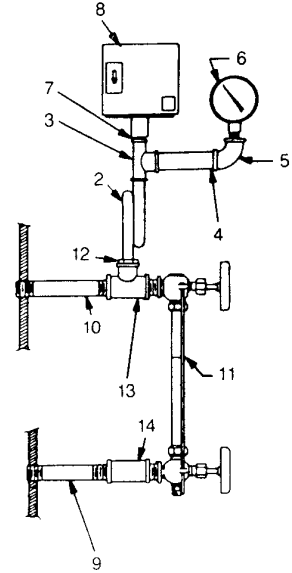
PUBLICATION NO. GX-10PL
Printed in U.S.A. 605
Part No. 41-1819

STEAM CONTROLS ASSEMBLY AND PARTS LIST

WHEN EQUIPPED WITH McDONNELL & MILLER L.W.C.O.



WHEN EQUIPPED WITH ELECTRONIC L.W.C.O.



WHEN EQUIPPED WITH McDONNELL & MILLER L.W.C.O.
(Package part no. 411956)

WHEN EQUIPPED WITH ELECTRONIC L.W.C.O.
(Package part no. 411957)

| ITEM NO. | DESCRIPTION | PART NO. |
|----------|--|-----------|
| 1 | Low water cutoff, McDonnell & Miller 67-SF | 400-116 |
| 2 | Syphon | 400-222 |
| 3 | Tee 1/4" x 1/4" x 1/4" | 400-223 |
| 4 | Nipple 1/4" x 2 1/2" | 400-224 |
| 5 | Elbow 1/4" x 90° | 400-232 |
| 6 | Pressure Gauge | 910374051 |
| 7 | Close Nipple 1/4" | 400-240 |
| 8 | Pressuretrol | 400-117 |
| 9 | Nipple 1/2" x 5 1/2" | 410-849 |
| 10 | Nipple 1/2" x 6" | 410-850 |
| 11 | Water level gauge (no provision for tankless) | 402-0362 |
| 11 | Water level gauge (tankless or provision for tankless) | 402-0361 |

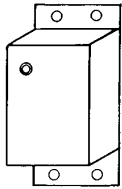
| ITEM NO. | DESCRIPTION | PART NO. |
|----------|---|-----------|
| 1 | Low water cutoff, electronic (not shown) | 410-807 |
| 2 | Syphon | 400-222 |
| 3 | Tee 1/4" x 1/4" x 1/4" | 400-223 |
| 4 | Nipple 1/4" x 2 1/2" | 400-224 |
| 5 | Elbow 1/4" x 90° | 400-232 |
| 6 | Pressure Gauge | 910374051 |
| 7 | Close Nipple 1/4" | 400-240 |
| 8 | Pressuretrol | 400-117 |
| 9 | Nipple 1/2" x 2 3/4" | 410-816 |
| 10 | Nipple 1/2" x 2 1/2" | 410-812 |
| 11 | Water level gauge (no provision for tankless) | 402-0362 |
| 12 | Reducing bushing 1/2" x 1/4" | 410-811 |
| 13 | Tee 1/2" | 410-739 |
| 14 | Coupling 1/2" | 411-859 |

HONEYWELL IID CONTROLS

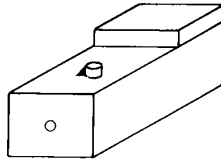
GALAXY - GX and GXH SERIES

Intermittent Ignition (IID)

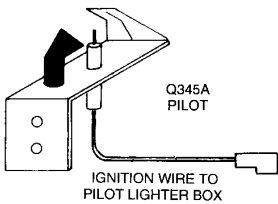
Parts List



PILOT LIGHTER BOX
Mounts on jacket



GAS VALVE



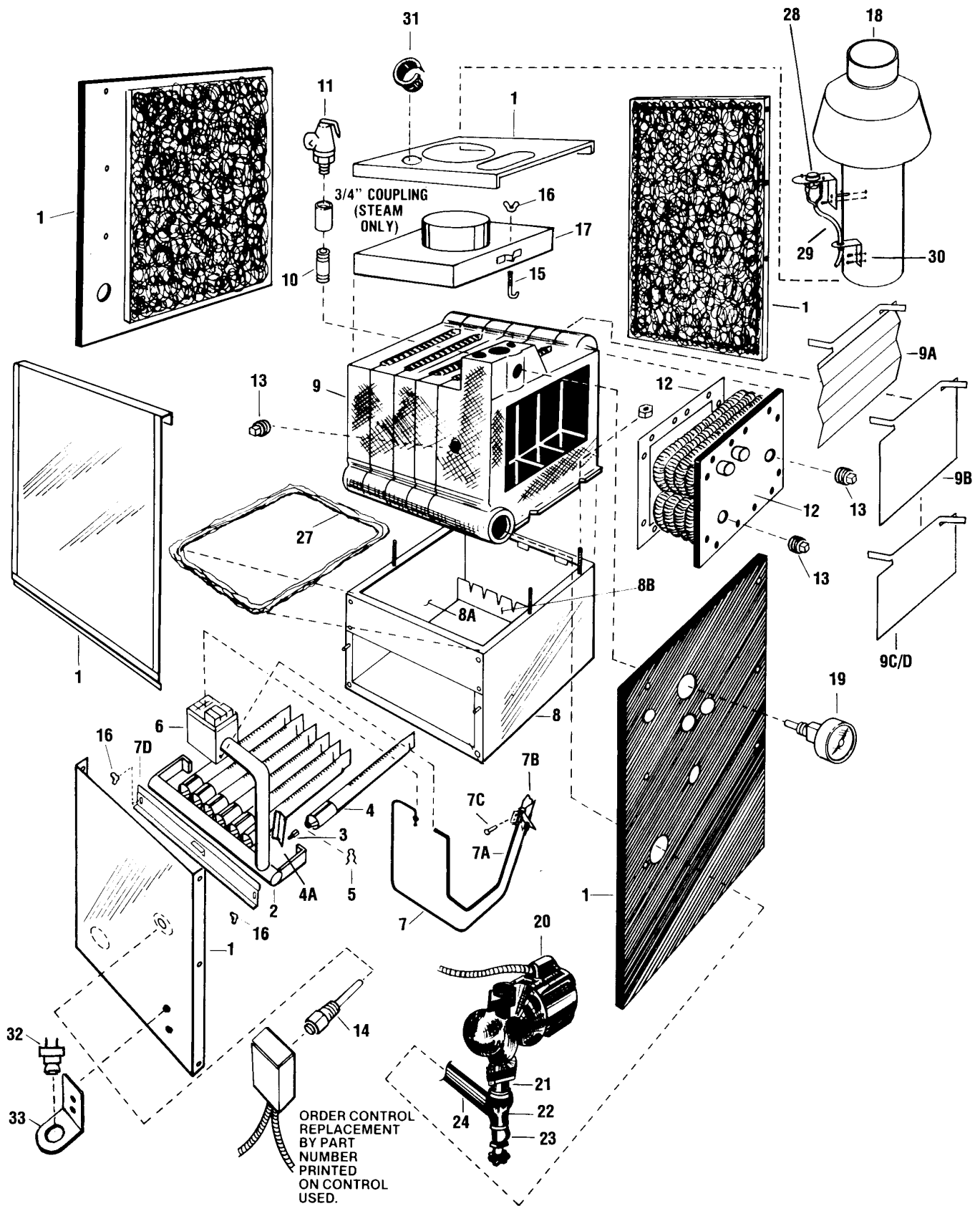
Q345A
PILOT

IGNITION WIRE TO
PILOT LIGHTER BOX

Delete ⑥ gas valve, ⑦ thermocouple, ⑦B pilot and ⑦C pilot orifice from standard (standing pilot) parts list. Add:

| SLANT/FIN HONEYWELL IID CONTROL SYSTEM | PART NO. | APPLICATION |
|---|----------------------------|--|
| Electric ignition pilot: Honeywell Q345A - natural gas or * Honeywell Q3451B - natural gas | 411612 412075 | All natural gas boiler sizes All natural gas boiler sizes |
| Honeywell Q345A - propane gas or * Honeywell Q3451B - propane gas | 411857 412067 | All propane gas boiler sizes All propane gas boiler sizes |
| Pilot orifice Natural gas only Propane gas only | 410542 410524 | All natural gas boiler sizes All propane gas boiler sizes |
| Gas valve - natural gas Honeywell No. VR8204A, 1/2" x 3/4" Honeywell No. VR8304M, 1/2" x 3/4" | 411864 411927 | GXH-105 thru GXH-190 GXH-210 thru GXH-300(H) and GX-225, GX-250 |
| Gas valve - L.P. propane gas Honeywell No. VR8304M, 1/2" x 3/4" | 411928 | All propane gas boiler sizes |
| Pilot lighter - natural gas Honeywell S8600F-1000 Pilot lighter - L.P. propane gas Honeywell S8600M-1013 or S8670E-1007 | 411873 411872 411947 | All natural gas boiler sizes All propane gas boiler sizes All propane gas boiler sizes |
| Ignition wire | 411874 | All boiler sizes |

* Includes ignition wire



Slant/Fin[®]

SLANT/FIN CORPORATION, Greenvale, N.Y. 11548 • Phone: (516) 484-2600
 FAX: (516) 484-5921 • Canada: Slant/Fin LTD/LTEE, Mississauga, Ontario

www.slantfin.com

Free Manuals Download Website

<http://myh66.com>

<http://usermanuals.us>

<http://www.somanuals.com>

<http://www.4manuals.cc>

<http://www.manual-lib.com>

<http://www.404manual.com>

<http://www.luxmanual.com>

<http://aubethermostatmanual.com>

Golf course search by state

<http://golfingnear.com>

Email search by domain

<http://emailbydomain.com>

Auto manuals search

<http://auto.somanuals.com>

TV manuals search

<http://tv.somanuals.com>