



***CONVECTION OVEN***  
***MCO GS/GD-10 MU MODEL CE UNIT***  
***Oven Manufactured Up To May 29, 2008***

**PARTS LIST**

Toll Free Phone, (US & Canada): (800) 427-6668

Toll Free Fax, (US & Canada): (800) 361-7745

<http://www.garland-group.com>





**MODEL: MCO-GS/GD-10 MU - CE UNITS**  
**Oven Manufactured Up To May 29, 2008**

| <b>DESCRIPTION</b>     | <b>PAGE</b> |
|------------------------|-------------|
| Manual Control Panel   | 4           |
| Digital Control Panel  | 6           |
| Control Option Section | 8           |
| Burner Package Section | 10          |
| Dependent Door Section | 12          |
| Oven Components        | 14          |
| Main Exterior          | 18          |
| Revision History       | 20          |

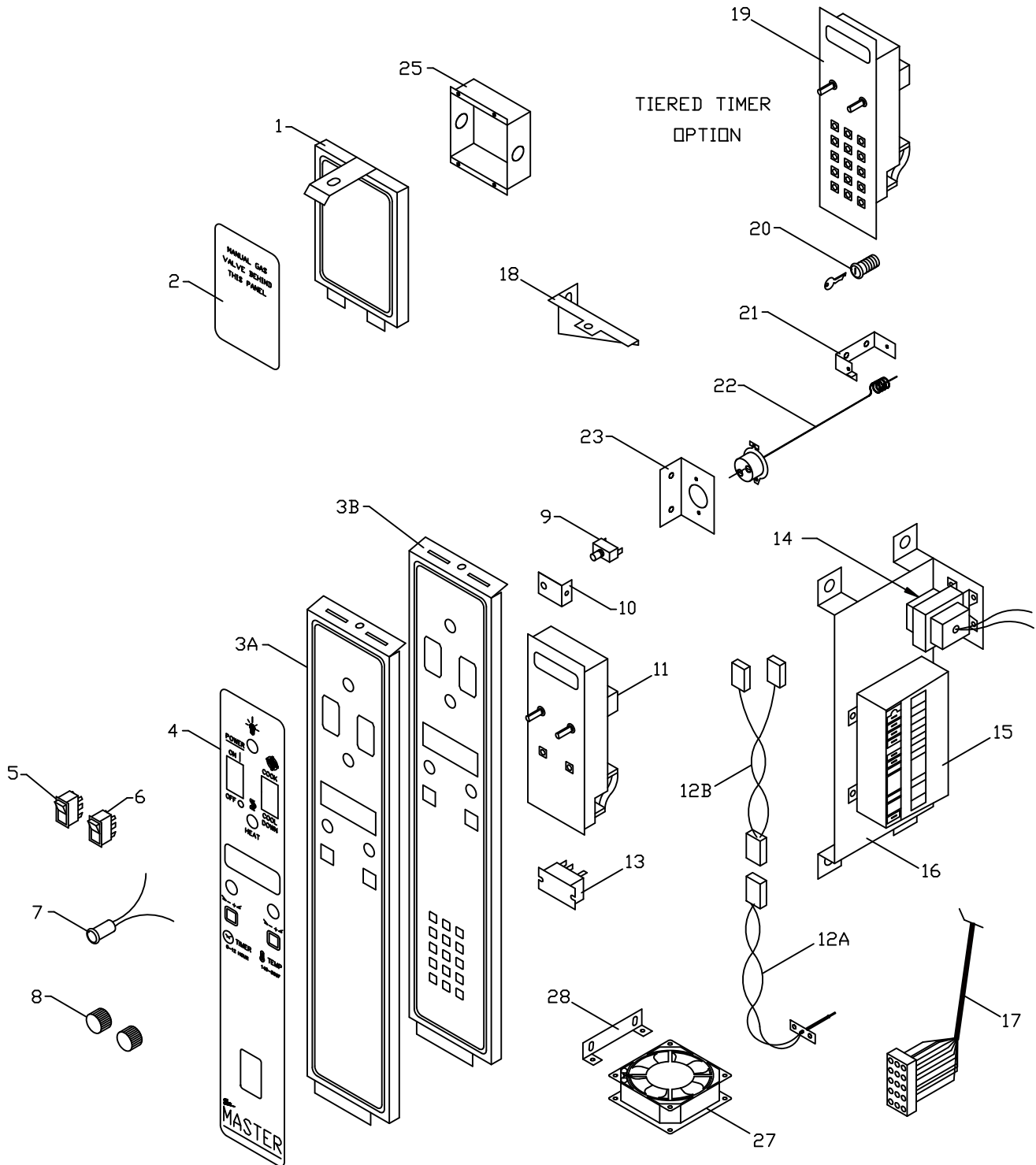


**GARLAND PARTS IDENTIFICATION**  
**MANUAL CONTROL PANEL MCO-GS/GD-10 MU MODELS-CE UNITS**

| ITEM | PART #           | DESCRIPTION                                 | MCO-GS/GD-10 MU |           |        |
|------|------------------|---|-----------------|-----------|--------|
|      |                  |   | QTY             | FROM      | UP TO  |
| 1    | 1802599          | Control Panel Top                           | 1               |           |        |
| 2    | 1789605          | Overlay Top Control Panel Gas               | 1               |           |        |
| 3    | 1802504          | Control Panel Mechanical                    | 1               | Sep-95    |        |
| 4    | 1789603          | Overlay Gas Man. Control 2 Speed            | 1               |           |        |
|      | 1789604          | Overlay Gas Man. Control 1 Speed            | 1               |           |        |
| 5    | 1019203          | Rocker Power Switch 2 Pos 1 Speed On/Off    | 1               |           |        |
|      | 1019207          | Rocker Power Switch 3 Pos 2 Speed On/Off/On | 1               |           |        |
| 6    | <b>1019209</b>   | <b>Rocker Power Switch 2 Pos On/Off</b>     | 1               |           |        |
| 7    | <b>1270000</b>   | <b>Pilot Light Amber 28V</b>                | 1               |           |        |
| 8    | <b>G02716-1</b>  | <b>Dial - (Universal) Small Shaft</b>       | 2               |           |        |
| 8A   | <b>G02725-17</b> | <b>Dial Insert (OFF/150F/550F) Oven F</b>   | 1               |           |        |
| 8B   | <b>1314134</b>   | <b>Dial Insert 0 - 60 MIN.</b>              | 1               |           |        |
| 9    | <b>G01296-3</b>  | <b>Pilot Green</b>                          | 1               | Aug-95    |        |
| 10   | <b>G03053-1</b>  | <b>Momentary Switch Push Button</b>         | 1               |           |        |
| 11   | 1749201          | Panel Restraining Bracket                   | 1               | Aug-95    |        |
| 12   | 1285701          | Mallory Timer 1 hr 240V 50/60H              | 1               |           |        |
| 13   | <b>1032400</b>   | <b>Thermostat (Use G02902-01)</b>           | 1               |           |        |
| 14   | 1804704          | Wire Harness - Mechanical Gas               | 1               |           |        |
| 14A* | 1804702          | Wire Harness - Spark Ignition               | 1               |           |        |
| 14B* | 1804703          | Wire Harness - Power Supply                 |                 |           |        |
| 15   | <b>2579800</b>   | <b>Direct Spark Ignition Module</b>         | 1               | 9608C5147 |        |
| 16   | 1787341          | Ignition Module Mtg Bracket                 | 1               |           |        |
| 17   | <b>1636000</b>   | <b>Transformer - 24V / 240V</b>             | 1               |           |        |
| 18   | 1802101          | Top Control Panel Mounting Bracket          | 1               |           |        |
| 19   | 1774401          | Cooling Fan Mounting Bracket                | 1               | Jan-95    | Mar-99 |
| 20   | <b>1671101</b>   | <b>Cooling Fan 208 / 240 V.</b>             | 1               | Sep-97    | Feb-98 |
|      | <b>1671103</b>   | <b>Cooling Fan 208 / 240 V.</b>             | 1               | Feb-98    | Oct-99 |
| 21   | 1848101          | Hi-Limit Bulb Clamp                         | 1               | Jun-97    |        |
| 22   | <b>1848201</b>   | <b>Hi-Limit</b>                             | 1               | Jun-97    |        |
| 23   | 1848102          | Hi-Limit Bracket                            | 1               | Jun-97    |        |
| 24*  | 1804713          | Hi-Limit Harness                            | 1               | Jun-97    |        |
| 25*  | 1028402          | Ground Lug (208/240)                        | 1               |           |        |
| 26*  | 1028804          | Snap Bushing                                | 2               |           |        |
|      | 1028807          | Snap Bushing                                | 2               |           |        |
| 27*  | 1804721          | Wire Harness - 208/240V - 2 Speed Only      | 1               |           |        |

\* NOT ILLUSTRATED

**RECOMMENDED STOCK PARTS**

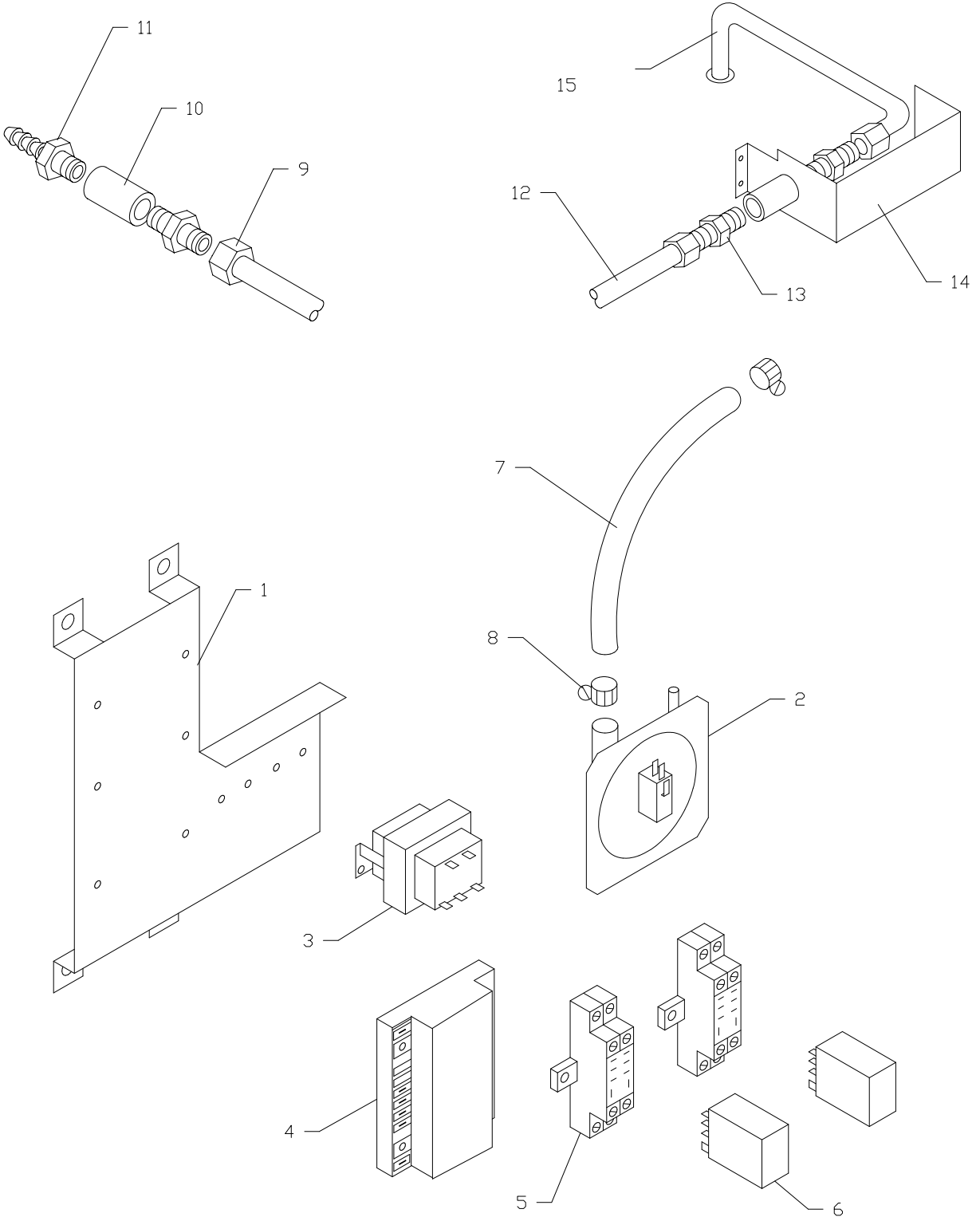


**GARLAND PARTS IDENTIFICATION**  
**DIGITAL CONTROL PANEL MCO-GS/GD-10 EU MODELS-CE UNITS**

| ITEM                  | PART #   | DESCRIPTION  | MCO-GS/GD-10 EU |           |        |
|-----------------------|--|--|-----------------|-----------|--------|
|                       |  |  | QTY             | FROM      | TO     |
| 1                     | 1802599  | Control Panel Top                                  | 1               |           |        |
| 2                     | 1789605  | Overlay Top Control Panel Gas                      | 1               |           |        |
| 3A                    | 1802597  | Control Panel COM6000                              | 1               | Sep-95    |        |
| 3B                    | 1802598  | Control Panel Tiered Timer                         | 1               | Nov-89    |        |
| 4                     | 1789601  | Overlay Gas COM6000 2 Speed                        | 1               |           |        |
|                       | 1789602  | Overlay Gas COM6000 1 Speed                        | 1               |           |        |
|                       | 1789607  | Overlay Tiered Timer - 15 Button                   | 1               | Nov-89    |        |
| 5                     | <b>1019203</b>   | <b>Rocker Power Switch 2 Pos 1 Speed On/Off</b>    | 1               |           |        |
|                       | <b>1019207</b>   | <b>Rocker Power Switch 3 Pos 2 Speed On/Off/On</b> | 1               |           |        |
| 6                     | <b>1019209</b>   | <b>Rocker Power Switch 2 Pos On/Off</b>            | 1               |           |        |
| 7                     | <b>1270000</b>   | <b>Pilot Light Amber 28V</b>                       | 1               |           |        |
| 8                     | <b>1720501</b>   | <b>Time/Temp Knob</b>                              | 2               |           |        |
| 9                     | <b>G03053-1</b>  | <b>Momentary Switch Push Button</b>                | 1               |           |        |
| 10                    | 1749201  | Panel Restraining Bracket                          | 1               |           |        |
| 11                    | <b>1517706</b>   | <b>Gas/Electrical MCO Control NLA</b>              | 1               |           |        |
|                       | 1623403  | Control -ULT-2 Key Gas (NLA)                       | 1               |           | Jun-95 |
|                       | Note: Contact factory for the correct replacement control kit part number.<br>Please provide equipment model and serial numbers. |  |                 |           |        |
| 12A                   | <b>9006800</b>   | <b>Sensor Probe 5" W/36"Teflon</b>                 | 1               |           | Feb-97 |
|                       | <b>1842901</b>   | <b>Flange Mount Oven Probe (Rear Mount)</b>        | 1               | Feb-97    |        |
| 12B                   | 1842902  | Probe Interconnect Harness                         | 1               | Feb-97    |        |
| 13                    | <b>1771602</b>   | <b>Relay 240V 2 Pole</b>                           | 1               |           |        |
| 14                    | <b>1636000</b>   | <b>Transformer - 24V / 240V</b>                    | 1               |           |        |
| 15                    | <b>2579800</b>   | <b>Direct Spark Ignition Module</b>                | 1               | 9608CJ147 |        |
| 16                    | 1787341  | Ignition Module Mtg Bracket                        | 1               |           |        |
| 17                    | 1804701  | Wire Harness - COM6000                             | 1               |           |        |
|                       | 1804703  | Wire Harness - Power Supply                        | 1               |           |        |
|                       | 1804706  | Wire Harness - Tiered Timer                        | 1               |           |        |
| 18                    | 1802101  | Top Control Panel Mounting Bracket                 | 1               |           |        |
| 19                    | 1665200  | Tiered Timer - 15 Button                           | 1               | Nov-89    |        |
| 20                    | 1516600  | Key Lock W/Backing Nut - Tiered Timer              | 1               |           |        |
| 21                    | 1848101  | Hi-Limit Bulb Clamp                                | 1               | Jun-97    |        |
| 22                    | <b>1848201</b>   | <b>Hi-Limit</b>                                    | 1               | Jun-97    |        |
| 23                    | 1848102  | Hi-Limit Bracket                                   | 1               | Jun-97    |        |
| 24*                   | 1804713  | Hi-Limit Harness                                   | 1               | Jun-97    |        |
| 25*                   | 1841701  | Thermocouple Junction Box                          | 1               | Feb-97    |        |
| 26*                   | 1028804  | Snap Bushing                                       | 2               |           |        |
|                       | 1028807  | Snap Bushing                                       | 2               |           |        |
| 27                    | <b>1671101</b>   | <b>Cooling Fan 208 / 240 V.</b>                    | 1               | Sep-97    | Feb-98 |
|                       | <b>1671103</b>   | <b>Cooling Fan 208 / 240 V.</b>                    | 1               | Feb-98    | Oct-99 |
| 28                    | 1774401  | Cooling Fan Mounting Bracket                       | 1               | Jan-95    | Mar-99 |
| 29*                   | 1804721  | Wire Harness - 208/240V - 2 Speed Only             | 1               |           |        |
| 30*                   | 1028402  | Ground Lug (208/240)                               | 1               |           |        |
| <b>CONVERSION KIT</b> |  |  |                 |           |        |
| CK4025                | MCO GS/GD - 10 - Manual To Electronic  |  |                 |           |        |

\* NOT ILLUSTRATED

**RECOMMENDED STOCK PARTS**



Control Option CE Units

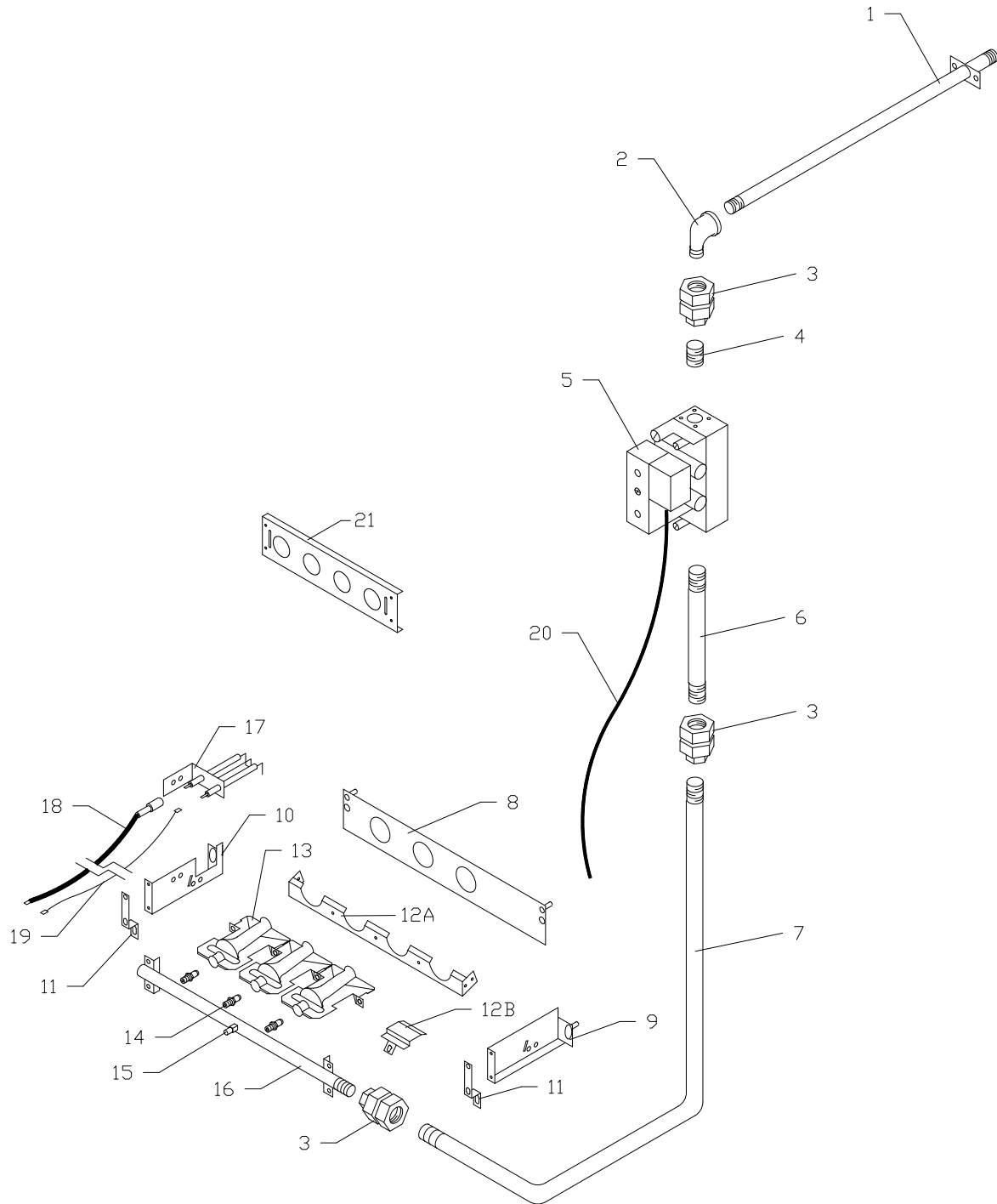


**GARLAND PARTS IDENTIFICATION**  
**CONTROL OPTION SECTION MCO-GS/GD-10 MU, EU MODELS-CE UNITS**

| ITEM | PART #         | DESCRIPTION                         | MCO-GS/GD-10 MU, EU |      |       |
|------|----------------|-------------------------------------|---------------------|------|-------|
|      |                |                                     | QTY                 | FROM | UP TO |
| 1    | 1787341        | Ignition Module Mtg Bracket         | 1                   |      |       |
| 2    | <b>1960401</b> | <b>Air Pressure Switch</b>          | 1                   |      |       |
| 3    | <b>1636000</b> | <b>Transformer - 240V / 24V</b>     | 1                   |      |       |
| 4    | <b>2579800</b> | <b>Direct Spark Ignition Module</b> | 1                   |      |       |
| 5    | 2475600        | Relay Socket                        | 2                   |      |       |
| 6    | <b>2475501</b> | <b>Relay 240V</b>                   | 2                   |      |       |
| 7    | 250SILTUB      | 1/4 Silicone Tubing                 | 1                   |      |       |
| 8    | 1029801        | 4" Cable Ties                       | 2                   |      |       |
| 9    | 1034701        | Straight Connector - 1/4 x 7/16cc   | 1                   |      |       |
| 10   | 1004806        | 1/4 NPT Pipe Coupling               | 1                   |      |       |
| 11   | 1848701        | Hose Barb Fitting                   | 1                   |      |       |
| 12   | 1900801        | Air Supply Tube - 7/16 Tubing (NLA) | 1                   |      |       |
| 13   | 1095499        | Straight Connector 3/8x7/16 CC      | 2                   |      |       |
| 14   | 1814898        | Outer Oven Vent Ass'y               | 1                   |      |       |
| 15   | 1848501        | Flared Air Sensing Tube             | 1                   |      |       |

\* NOT ILLUSTRATED

**RECOMMENDED STOCK PARTS**



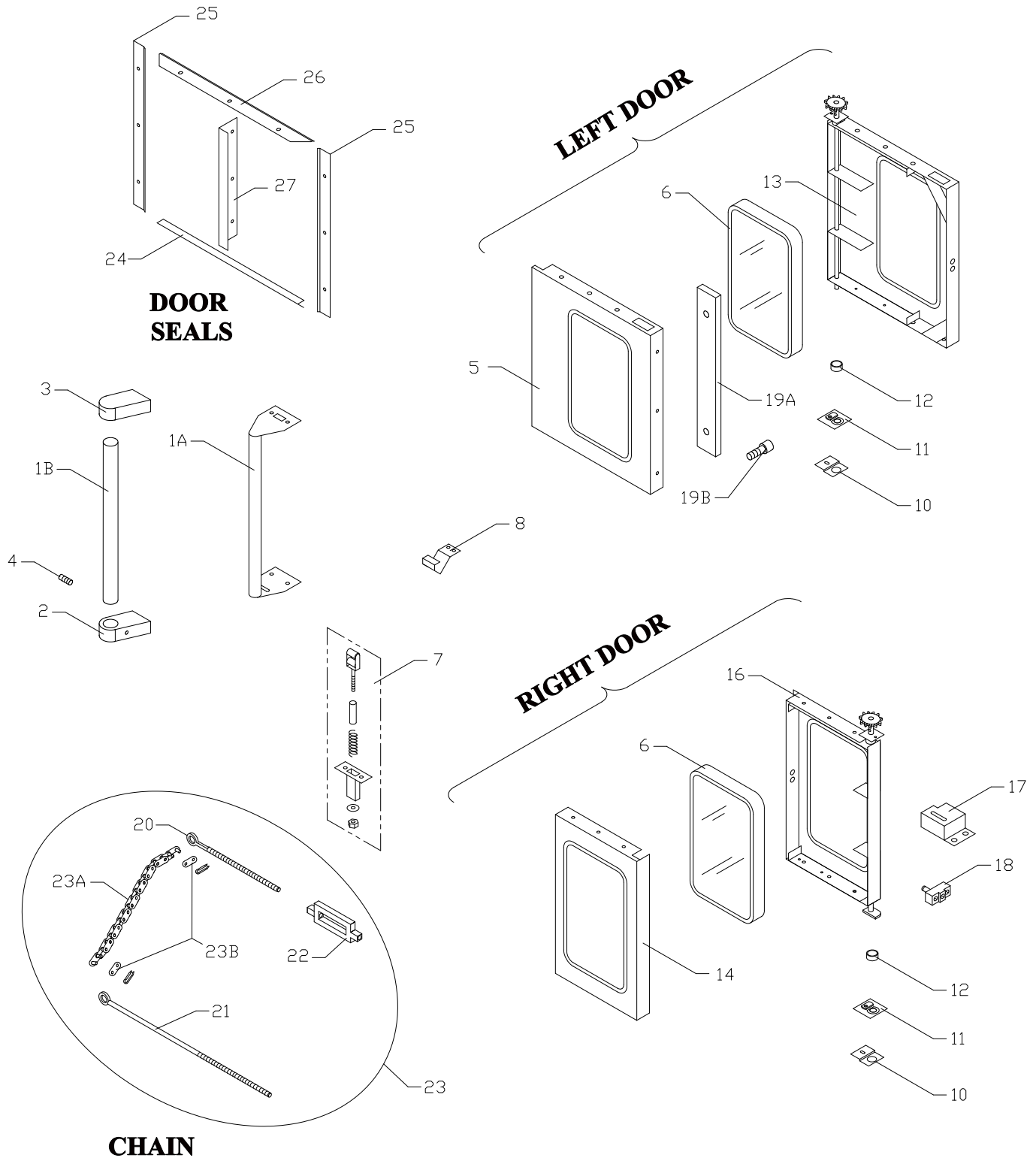
Burner Package CE Units

**GARLAND PARTS IDENTIFICATION**  
**BURNER PACKAGE SECTION MCO-GS/GD-10 MU, EU MODELS-CE UNITS**

| ITEM | PART #         | DESCRIPTION                                       | MCO-GS/GD-10 MU, EU |           |        |
|------|----------------|---|---------------------|-----------|--------|
|      |                |   | QTY                 | FROM      | UP TO  |
| 1    | 1786449        | Tail Pipe Std                                     | 1                   |           |        |
|      | 1786448        | Tail Pipe Deep                                    | 1                   |           |        |
| 2    | 1026733        | 1/2 NPT Street Elbow 90 Deg.                      | 1                   |           |        |
| 3    | 1026903        | Union 1/2" NPT                                    | 3                   |           |        |
| 4    | 1004640        | Close Nipple 1/2"NPT x 1" Lg                      | 1                   |           |        |
| 5    | <b>2579700</b> | <b>Multi Function Gas Valve</b>                   | 1                   |           |        |
| 6    | 1004642        | Nipple 1/2" NPT x 2"                              | 1                   |           |        |
| 7    | 1838501        | Supply Manifold 1/2" Pipe                         | 1                   |           |        |
| 8    | 1800902        | Venturi Plate 60K BTU                             | 1                   |           | Feb-97 |
|      | 1800903        | Venturi Plate 60K / 80K BTU                       | 1                   | Feb-97    |        |
| 9    | 1801298        | Burner Mounting Bracket RT S/W                    | 1                   |           |        |
| 10   | 1801299        | Burner Mounting Bracker LT S/W                    | 1                   |           |        |
| 11   | 1814601        | Burner Pkg Mounting Bracket                       | 2                   |           |        |
| 12A  | 1786801        | Burner Rest                                       | 1                   |           |        |
| 12B  | 1847602        | Carry Over Shield (as required)                   | 3                   |           |        |
| 13   | <b>1803501</b> | <b>Inshot Burner</b>                              | 3                   |           | Feb-97 |
|      | <b>1803501</b> | <b>Inshot Burner</b>                              | 4                   | Feb-97    |        |
| 14   | 1804348        | Natural Orifice 80K BTU. (.078")                  | 3                   |           | Feb-97 |
|      | 1804350        | #50 - Natural Orifice 60K BTU                     | 4                   | Feb-97    |        |
|      | 1804355        | #55 - LP Burner Orifice                           | 3                   |           | Feb-97 |
|      | 1804356        | #56 - Propane Orifice - 60K BTU                   | 4                   | Feb-97    |        |
| 15   | G02251-1       | Pressure Test Spigot                              | 1                   |           |        |
| 16   | 1784442        | Manifold Pipe                                     | 1                   |           |        |
| 17   | <b>4523601</b> | <b>Service Kit - Ignitor &amp; Bracket MCO CE</b> | 1                   |           |        |
|      | <b>1902001</b> | <b>Electrode Assembly (cw 36" wire)</b>           | 1                   | Jan-98    |        |
|      | <b>1902002</b> | <b>Direct Spark Ignition</b>                      | 1                   | Jan-98    |        |
|      | <b>CK4038</b>  | <b>Spark Igniter &amp; Sensor Conv. Kit</b>       | 1                   |           |        |
| 18   | <b>1815002</b> | <b>Hi Tension Ignition Wire</b>                   | 1                   |           |        |
| 19   | 1815003        | Flame Sensor Wire 48"                             | 1                   |           |        |
| 20   | 2579701        | Plug With Cord                                    | 1                   |           |        |
|      | 2579702        | Gasket & Screw                                    | 1                   |           |        |
| 21   | 4520002        | Adapter Bracket Inshot Burner                     | 1                   | 11-Apr-05 |        |

\* NOT ILLUSTRATED

**RECOMMENDED STOCK PARTS**

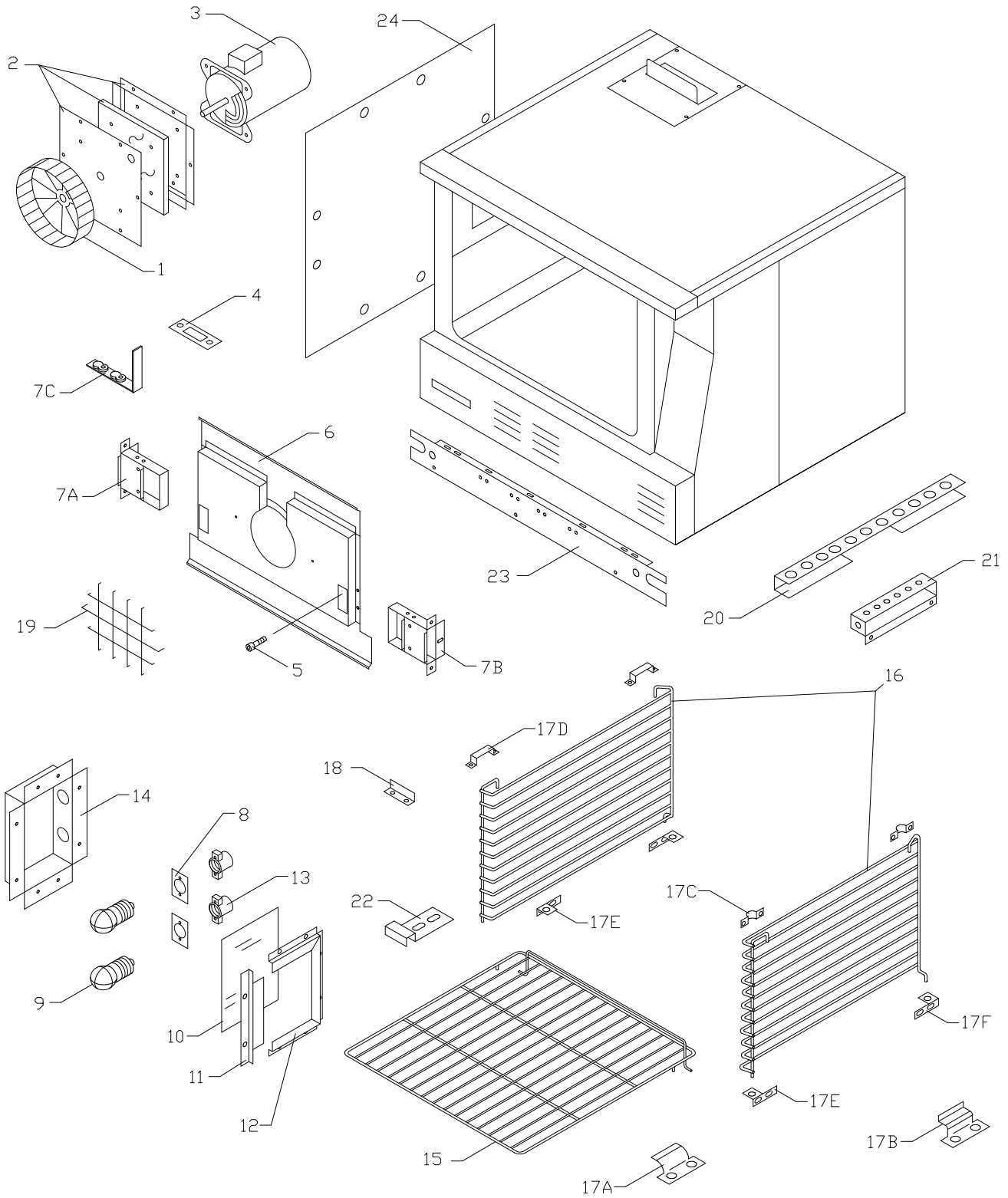


**GARLAND PARTS IDENTIFICATION**  
**DEPENDENT DOOR SECTION MCO-GS/GD-10 MU, EU MODELS-CE UNITS**

| ITEM                                       | PART #         | DESCRIPTION   | MCO-GS/GD-10 MU, EU |        |        |
|--|----------------|---|---------------------|--------|--------|
|  |                |   | QTY                 | FROM   | UP TO  |
| 1A   | 1664802        | Door Handle - Black   | 1                   |        | Feb-97 |
| 1B   | 1840999        | Door Handle - Black   | 1                   | Feb-97 |        |
| 2  | 1562604        | Door Handle End Black - Bottom  | 1                   |        | Feb-97 |
| 3  | 1562605        | Door Handle End Black - Top   | 1                   |        | Feb-97 |
| 4  | 8003800        | Set Screw Socket (3 PC. Handle Only)  | 2                   |        | Apr-98 |
| 5  | 1803703        | Left Door Panel - Window  | 1                   |        |        |
|  | 1803704        | Left Door Panel - Solid   | 1                   |        |        |
| 6  | 1010999        | Oven Door Window (3/16" Glass)  | 1                   |        |        |
| 7  | 1757998        | Latch Bench Assy.   | 1                   | Aug-95 |        |
| 8  | <b>1810201</b> | <b>Door Catch</b>   | 1                   |        | Apr-97 |
|  | <b>1841201</b> | <b>Door Catch</b>   | 1                   | Apr-97 |        |
| 9*   | 1803797        | Left Door Frame W/A NLA Replaced By CK1803795 -A or CK1803796 -A              |                     |        |        |
| 10   | 1302800        | Upper Door Bearing Retainer   | 2                   |        |        |
| 11   | 1010589        | Hinge Bracket Ass'y W/Bearing   | 2                   |        |        |
| 12   | 1011201        | Steel Tubing Chrome Spacer  | 2                   |        |        |
| 13   | 1803706        | Left Door Liner Only-Window-NLA-Replaced by CK1803795 -A                      |                     |        |        |
|  | 1803705        | Lt.Door Liner Only-Solid-NLA-Replaced by CK1803796 -A                         |                     |        |        |
|  | CK1803795-A    | Lt Door Liner + Frame-Window, with Welded Cam                                 | 1                   | Apr-97 |        |
|  | CK1803796-A    | Lt Door Liner + Frame - Solid, with Welded Cam                                | 1                   | Apr-97 |        |
| 14   | 1803711        | Rt Door Panel - Window  | 1                   |        |        |
|  | 1803712        | Rt Door Panel - Solid   | 1                   |        |        |
| 15*  | 1803798        | Rt Door Frame-Window, with Welded Cam-NLA (R/B CK1803793-A or B)              |                     |        |        |
|  | 1803799        | Rt Door Frame-Solid with Welded Cam-NLA (R/B-CK1803794-A )                    |                     |        |        |
|  | 1803709        | Rt Door Liner Only-Window-NLA (R/B CK1803793 -A or B)                         |                     |        |        |
|  | 1803710        | Rt Door Liner Only-Solid-NLA (R/B CK1803794 - A or B)                         |                     |        |        |
| 16   | CK1803791-A    | Rt Door Liner + Frame-Window,W/Welded Cam. (before Mar-99)                    |                     |        |        |
|  | CK1803794-A    | Rt Door Liner + Frame-Solid,W/Welded Cam (before Mar-99)                      |                     |        |        |
| 17   | 1805801        | Micro Switch Mounting Bracket   | 1                   |        | Mar-99 |
| 18   | <b>1019600</b> | <b>Door Micro Switch</b>  | 1                   |        | Mar-99 |
| 19A  | 1663201        | Handle Bracket Plate (used with 3 pc handle only)                             | 1                   | May-96 | Feb-97 |
| 19B  | 8003406        | Hex Head Machine Screw 1/4-20 X 1"  | 2                   |        | Feb-97 |
| 20   | 1014201        | Connecting Door Rod - Short (Not sold separately)                             | 2                   |        |        |
| 21   | 1014200        | Connecting Door Rod - Long (Not sold separately)                              | 2                   |        |        |
| 22   | 1015000        | Turnbuckle 1/4-20 with 4" Take Up (Dependent Door Only)                       | 2                   |        |        |
| 23   | 4520166        | Door Chain Assembly   | 2                   |        |        |
|  |                | Included 23A & 23B Fully Assembled  |                     |        |        |
| 23A  | 1021100        | Roller Chain #40 (Dependent Door Only)  | 2                   |        |        |
| 23B  | 1021299        | Connecting Links #40 Components   | 4                   |        |        |
| 24   | 1679301        | Bottom Door Seal  | 1                   |        | Feb-97 |
|  | 1841401        | Bottom Door Seal Froward  | 1                   | Feb-97 |        |
| 25   | 1679303        | Side Door Seal  | 2                   |        | Feb-97 |
|  | 1841403        | Side Door Seal Forward  | 2                   | Feb-97 |        |
| 26   | 1679302        | Top Door Seal   | 1                   |        | Feb-97 |
|  | 1841402        | Top Door Seal Forward   | 1                   | Feb-97 |        |
| 27   | 1841404        | Side Door Seal Std. / Retro Fit   | 1                   | Feb-97 |        |
| <b>COMPLETE DOOR ASSEMBLY PART NUMBERS</b> |                |   |                     |        |        |
|  | CK1803789-A    | Lt Door Ass'y W/ Window, Welded Cam, 1 pc. Handle Dep. (all MCO-GS/GD models) |                     |        |        |
|  | CK1803788-A    | Lt Door Ass'y Solid, W/Welded Cam, 1 pc. Handle, Dep. (all MCO-GS/GD models)  |                     |        |        |
|  | CK1803785-A    | Rt Door Ass'y W/Window,Welded Cam,Dep.(before Mar-99)                         |                     |        |        |
|  | CK1803784-A    | Rt Door Ass'y Solid, W/Welded Cam, Dep. (before Mar-99)                       |                     |        |        |

\* NOT ILLUSTRATED

**RECOMMENDED STOCK PARTS**



**GARLAND PARTS IDENTIFICATION**  
**OVEN COMPONENTS MCO-GS/GD-10 MU, EU MODELS-CE UNITS**

| ITEM    | PART #   | DESCRIPTION                                       | MCO-GS/GD-10 MU, EU |        |        |
|---------|--|---|---------------------|--------|--------|
|         |  |   | QTY                 | FROM   | UP TO  |
| 1       | <b>G02952-01P</b>                                  | <b>Blower Wheel Assembly Plated</b>               | 1                   |        |        |
| 2       | 1782198  | Motor Pocket                                      | 1                   |        |        |
| 3       | 1686712  | Motor 3/4 HP, 208/240V, 2 Speed                   | 1                   | Jun-97 |        |
| 4       | 1784301  | Oven Vent Cap - 40K                               | 2                   |        |        |
|         | 1784302  | Oven Vent Cap - 60K                               | 2                   |        |        |
|         | 1784303  | Oven Vent Cap - 80K                               | 2                   |        |        |
| 5       | 8004005  | Allen Head Cap Screws - 1/4 - 20                  | 4                   |        |        |
| 6       | 1802999  | Fan Cover, SS S/W                                 | 1                   |        |        |
| 7A      | 1782599  | Fan Cover Duct, Left                              | 1                   |        |        |
| 7B      | 1782598  | Fan Cover Duct, Right                             | 1                   |        |        |
| 7C      | 1785997  | Fan Duct Restrictor - 80K                         | 2                   |        |        |
|         | 1785998  | Fan Duct Restrictor - 60K                         | 2                   |        |        |
|         | 1785999  | Fan Duct Restrictor - 40K                         | 2                   |        |        |
| 8       | 1025900  | Light Socket Gasket                               | 2                   |        |        |
| 9       | 1623900  | Light Bulb 40W                                    | 2                   |        |        |
| 10      | 1676901  | Glass Hi Temp                                     | 1                   |        |        |
| 11      | 1606801  | Glass Frame Left                                  | 1                   |        |        |
| 12      | 1606802  | Glass Frame                                       | 1                   |        |        |
| 13      | 1025800  | Lamp Socket - Porcelain                           | 2                   |        |        |
| 14      | 1678701  | Light Box   | 1                   |        |        |
| 15      | 1607000  | Master Conv Oven Rack- Standard 23" x 28"         | 6                   |        |        |
|         | 1607010  | Master Conv Oven Rack - Deep 27" x 28"            | 6                   |        |        |
| 16      | 1607001  | Oven Rack Guide - Standard 23" x 28"              | 2                   |        | Feb-97 |
|         | 1704531  | Oven Rack Guide 10 Pos. Left - 21" x 23"          | 1                   | Feb-97 |        |
|         | 1704532  | Oven Rack Guide 10 Pos. Right - 21" x 23"         | 1                   | Feb-97 |        |
|         | 1704511  | Oven Rack Guide 13 Pos. Standard - 24" x 20"      | 2                   |        | Feb-97 |
|         | 1704535  | Oven Rack Guide 13 Pos. Left - 20" x 23"          | 1                   | Feb-97 |        |
|         | 1704536  | Oven Rack Guide 13 Pos. Right - 20" x 23"         | 1                   | Feb-97 |        |
|         | 1704502  | Oven Rack Guide - Deep - 28" x 20"                | 2                   |        | Feb-97 |
|         | 1704533  | Oven Rack Guide - 10 Pos. Left -Deep - 20" x 27"  | 1                   | Feb-97 |        |
|         | 1704534  | Oven Rack Guide - 10 Pos. Right- Deep -20" x 27"  | 1                   | Feb-97 |        |
|         | 1704512  | Oven Rack Guide - 13 Pos. Deep - 20" x 28"        | 2                   |        | Feb-97 |
|         | 1704537  | Oven Rack Guide - 13 Pos. Left - Deep - 20" x 27" | 1                   | Feb-97 |        |
| 1704538 | Oven Rack Guide - 13 Pos. Right - Deep - 20" x 27" | 1   | Feb-97              |        |        |
| 17A     | 1317600  | Rack Guide Clip                                   | 4                   |        | Jun-95 |
| 17B     | 1676801  | Rack Guide Clip                                   | 6                   | Jun-95 | May-96 |
|         | 1676801  | Rack Guide Clip                                   | 4                   | May-96 | Feb-97 |
| 17C     | 1765209  | Rack Mounting Clip                                | 2                   | Feb-97 | Sep-98 |
| 17D     | 1765212  | Rack Clip   | 4                   | Sep-98 |        |
| 17E     | 1765210  | Lower Rack Guide Clip - A                         | 2                   | Mar-97 |        |
| 17F     | 1765211  | Lower Rack Guide Clip - B                         | 2                   | Mar-97 |        |
| 18      | 1317601  | Rack Guide Hold Down Bracket                      | 2                   |        | May-97 |
| 19      | 1014500  | Blower Inlet Cover                                | 1                   |        |        |
| 20      | 1015799  | Capillary Tube Guard                              | 1                   | Sep-95 | Dec-98 |

\* NOT ILLUSTRATED

**RECOMMENDED STOCK PARTS**

**GARLAND PARTS IDENTIFICATION**  
**OVEN COMPONENTS MCO-GS/GD-10 MU, EU MODELS-CE UNITS**

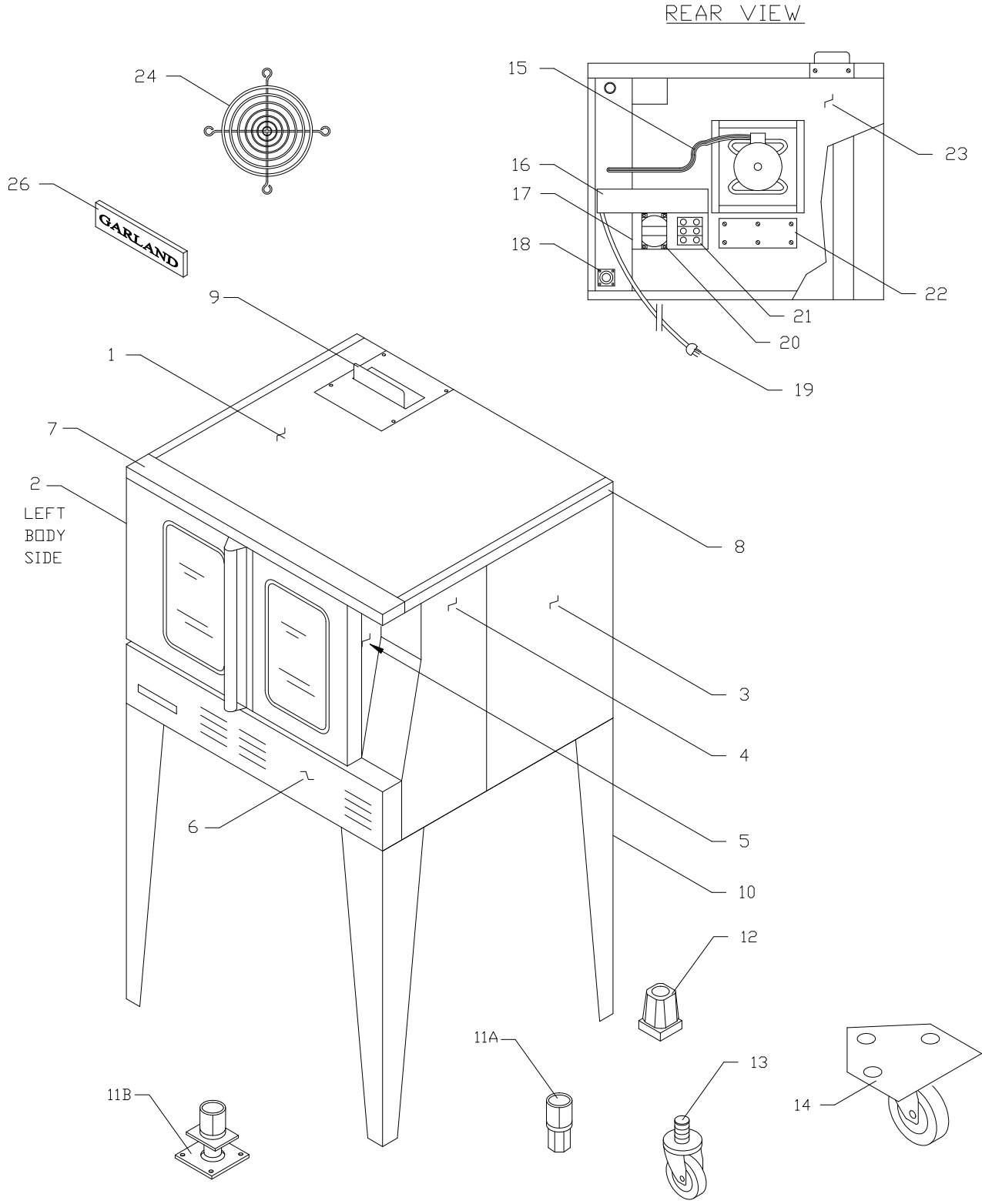
| ITEM | PART #           | DESCRIPTION                             | MCO-GS/GD-10 MU, EU |        |        |
|------|------------------|---|---------------------|--------|--------|
|      |                  |   | QTY                 | FROM   | UP TO  |
| 21   | 1800801          | Sensing Probe Bulb Shield               | 1                   | Dec-98 |        |
| 22   | 1676811          | Rack Guide Clip                         | 2                   | May-96 | Apr-98 |
| 23   | 1803813          | Front Frame Hinge Channel Bottom        | 1                   |        |        |
| 24   | 1809699          | Oven Light Patch - Porcelain            | 1                   |        |        |
|      | 1809601          | Oven Light Patch - SS                   | 1                   |        |        |
| 25*  | <b>CK1003091</b> | <b>Motor Ass'y - 2 Speed - 208/240V</b> |                     |        |        |

\* NOT ILLUSTRATED

**RECOMMENDED STOCK PARTS**



## *NOTES*



**Main Exterior CE Units**

**GARLAND PARTS IDENTIFICATION**  
**MAIN EXTERIOR MCO-GS/GD-10 MU, EU MODELS-CE UNITS**

| ITEM | PART #         | DESCRIPTION   | MCO-GS/GD-10 MU, EU |           |        |
|------|----------------|---|---------------------|-----------|--------|
|      |                |   | QTY                 | FROM      | UP TO  |
| 1    | 1802801        | Main Top GG   | 1                   |           |        |
|      | 1802802        | Main Top SS   | 1                   |           |        |
| 2    | 1785402        | Body Side Left SS                                       | 1                   |           |        |
|      | 1785404        | Body Side Left GG                                       | 1                   |           |        |
| 3    | 1785401        | Body Side Right SS                                      | 1                   |           |        |
|      | 1785403        | Body Side Right GG                                      | 1                   |           |        |
| 4    | 1785398        | Control Panel Right S/W                                 | 1                   |           |        |
|      | 1785399        | Control Panel Right SS S/W                              | 1                   |           |        |
| 5    | 1802701        | Control Panel Left                                      | 1                   |           |        |
| 6    | 1807201        | Combustion Chamber Gas                                  | 1                   |           |        |
| 7    | 1802299        | Trim Cap Veneer S/W                                     | 1                   |           |        |
| 8    | 1829101        | Main Top Side Trim                                      | 2                   |           |        |
| 9    | 1818201        | Oven Vent Protection Plate - Std                        | 1                   |           |        |
|      | 1818203        | Oven Vent Protection Plate - Deep                       | 1                   |           |        |
| 10   | 1805299        | Leg - Single Deck - Black - 23 15/16"                   | 4                   |           |        |
|      | 1805298        | Leg - Single Deck - SS - 23 15/16"                      | 4                   |           |        |
|      | 1805399        | Leg - Double Deck - Black - 5"                          | 4                   |           |        |
|      | 1805398        | Leg - Double Deck - SS - 5"                             | 4                   |           |        |
| 11A  | 1236100        | 1-1/2" Square Foot Insert                               | 4                   |           |        |
| 11B  | CK1236100      | Deck Fastener / Bolt-Down Leg (optional)                | 1 PER LEG           |           |        |
| 12   | 1775102        | Caster Insert - Single Deck Only                        | 4                   |           |        |
| 13   | 1027500        | Caster - Single Deck Only                               | 2                   |           |        |
|      | 1027501        | Caster W/Brake - Single Deck Only                       | 2                   |           |        |
| 14   | 1821598        | Caster - Double Deck Only                               | 2                   |           |        |
|      | 1821599        | Caster W/Brake - Double Deck Only                       | 2                   |           |        |
|      | 1821596        | Lo-Profile Caster - Double Deck Only                    | 2                   |           |        |
|      | 1821597        | Lo-Profile Caster W/Brake - Double Deck Only            | 2                   |           |        |
| 15   | 1029426        | 3/8 BX Cable 26" Long                                   | 1                   |           |        |
| 16   | 1823001        | Element Wire Raceway                                    | 1                   |           |        |
| 17   | 1827901        | Transformer Shield                                      | 1                   |           |        |
| 18   | 1032504        | Knockout Plate  | 1                   | Sep-95    |        |
| 19   | 1029501        | 8' Long Power Supply Cord                               | 1                   |           |        |
| 20   | <b>1030801</b> | <b>Transformer 240V 0.15 KVA (Hi Voltage Gas Units)</b> | 1                   | 9608CJ146 |        |
|      | <b>1030802</b> | <b>Transformer 208V 0.15 KVA (Hi Voltage Gas Units)</b> | 1                   | 9608CJ146 |        |
| 21   | 1193900        | Terminal Block - 3 Pole-Hi Voltage                      | 1                   |           |        |
| 22   | 1809201        | Element Patch   | 1                   |           |        |
| 23   | 1820301        | Main Back Std SS  | 1                   |           |        |
|      | 1820302        | Main Back Std GG  | 1                   |           |        |
|      | 1820303        | Main Back - Deep SS                                     | 1                   |           |        |
|      | 1820304        | Main Back - Deep GG                                     | 1                   |           |        |
| 24   | 1919001        | Cooling Fan Guard (OBS)                                 | 1                   | Mar-99    |        |
| 25*  | 1782001        | Instruction Label                                       | 1                   | May-96    |        |
| 26   | 9004500        | Garland Logo (Use 1902919)                              | 1                   | Feb-96    | Apr-98 |
|      | 1902917        | 10" GARLAND Nameplate                                   | 1                   |           |        |

\* NOT ILLUSTRATED  
**RECOMMENDED STOCK PARTS**

## GARLAND PARTS IDENTIFICATION

### Revision History

| REV. # | PAGE # | ITEM #   | NOTE  | DATE      |   |
|--------|--------|--|---|-----------|---|
| 1      |        |  | Book reformated   | Nov 8/05  |   |
| 2      | 10,11  | 21   | Part number added   | Dec 20/05 |   |
| 3      |        |  | Front page title changed  | May 3/10  |   |
|        | 5      |  | Part # deleted, was CK4028 (MCO GS/GD -10 - Digital To Manual 240V) |           |   |
|        | 7      | 11   | Note Added  |           |   |
|        | 9      | 2  |   |           | Part # changed - was 2579900                                    |
|        |        | 7  |   |           | Part # changed - was 1839402 (1/4" Blue Rubber Tubing - 16" LG) |
|        |        | 8  |   |           | Part # changed - was 1518100 (Mini Hose Clamp)                  |
|        |        | 12   |   |           | No Longer Available   |
|        |        | 15   |   |           | Part # changed - was 1900802                                    |
| 11     | 17     | Part # changed - was 2580800 (Ign Electrode / Flame Sensor) by 4523601 |   |           |   |





## Free Manuals Download Website

<http://myh66.com>

<http://usermanuals.us>

<http://www.somanuals.com>

<http://www.4manuals.cc>

<http://www.manual-lib.com>

<http://www.404manual.com>

<http://www.luxmanual.com>

<http://aubethermostatmanual.com>

Golf course search by state

<http://golfingnear.com>

Email search by domain

<http://emailbydomain.com>

Auto manuals search

<http://auto.somanuals.com>

TV manuals search

<http://tv.somanuals.com>