



***SUMMIT CONVECTION OVEN
MODEL: SUMG-100 (GAS)***

PARTS LIST

Toll Free Phone, (US & Canada): (800) 427-6668

Toll Free Fax, (US & Canada): (800) 361-7745

<http://www.garland-group.com>

FORM # SUMG-100 Conv Oven (Rev3)

Download from [Www.Somanuals.com](http://www.Somanuals.com). All Manuals Search And Download.

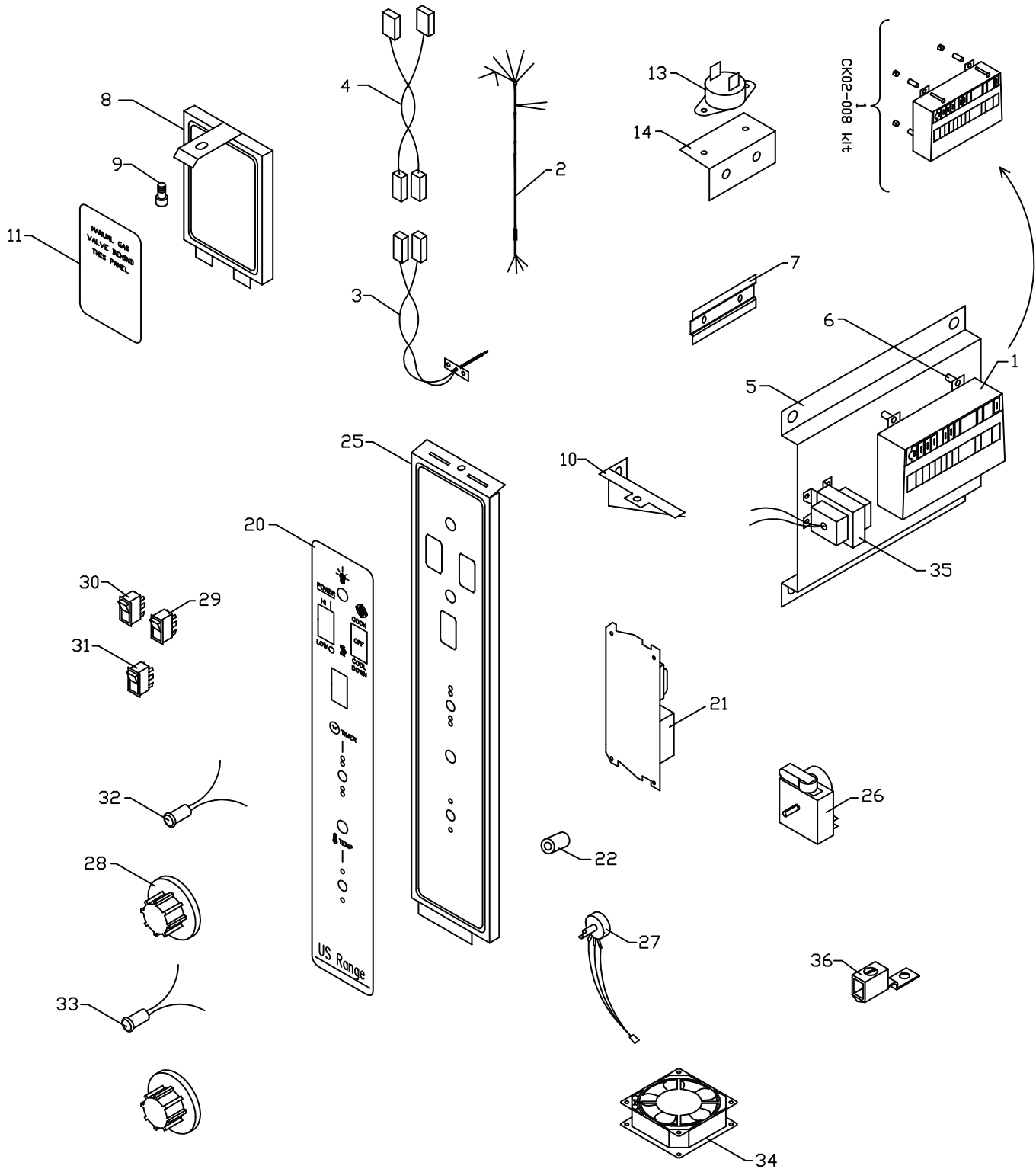


SUMMIT CONVECTION OVEN

MODEL: SUMG-100 (GAS)

Contents:

Control Panel – IM200 – Solid State Controls W/Electro-Mechanical Timer	Page 4
Oven Interior Components	Page 8
Burner Section.....	Page 10
Dependent Door Section (For Units Manufactured To April 14, 2005).....	Page 12
Dependent Door Section (For Units Manufactured After April 14, 2005).....	Page 16
Dependent Door Section - Prison Package (For Units Manufactured To April 14, 2005)	Page 20
Dependent Door Section - Prison Package (For Units Manufactured After April 14, 2005)	Page 22
Main Exterior	Page 24
Parts Digital Photos	Page 27
Revision History.....	Page 30



IM200 Manual Control Panel

US RANGE PARTS IDENTIFICATION

Control Panel - Model IM200

ITEM	PART #	DESCRIPTION	MODEL		
			SUMG-100		
			QTY	FROM DATE	UP TO DATE
1^	1815001	Honeywell Ignition Module	1		Feb-03
	1935601	Johnson Ignition Module, IPI	1	Mar-03	
	CK02-008	Ignition Module, IPI Kit	1	Mar-03	
2	1804726	Wiring Harness Ignition 115/60	1	2-Jul-01	
	1949595	Wiring Harness Pilot Ignition	1	2-Jul-01	26-Mar-03
	1949593	Wiring Harness Pilot Ignition	1	26-Mar-03	
3^	1842901	Flange Mount Oven Probe	1		2-May-01
	1906002	Probe - Rtd, Flange Mount	1		2-May-01
4	1842902	Probe Interconnect Harness	1	2-May-01	
	1906003	Cable Asm - Probe Extension	1		2-May-01
5	1933406	Bracket-Controls/Ignition	1	14-Mar-03	
6	1962401	Standoff-1/4X1 Aluminum	4	28-Mar-02	14-Mar-03
	1962402	Standoff-1/4X1/2 Aluminum	2	14-Mar-03	
7	1911301	Relay Bracket Slide	1		14-Mar-03
	1911301	Relay Bracket Slide	2	14-Mar-03	
8	1918501	Cover - Upper Control Panel - SS	1		
9	1091100	Thumb Screw	1		
10	1918998	Bracket - Upper Control Panel	1		
11	1835905	Overlay Top Control Panel - Gas	1		
12*	1949577	W/H-Mechanical Control Panel	1	14-Mar-03	
13	1910901	Hi Limit Or Thermal dis Bracket	1	24-Feb-05	
14	1955101	Temp. Switch – Thermal Disc. Cooling	1	24-Feb-05	
Control-IM20,115V Gas USR					
20	1908527	Overlay Control Panel - Mod 20, Mechanical	1		
21^	1955501	Power Control Board - Im200, 150-500 Deg F	1		
22	1955701	Standoff-Nylon, 1/4X1/2X1	2		
23*	1955801	Washer-Teflon,7/16 Od	2		
24*	8001502	Nut W/L'Washer 6-32 Kep	6		
25	1946690	Control Panel Assembly - IM200	1		
26^	1956001	Timer - 1 Hr, 115V W/Alarm	1		
27	1955601	Potentiometer-IM200 150-500Deg	1		
28	1765802	Fluted Knob W(2) Set Screws	2		
29	1955401	Switch-Rocker,Dpdt On-Off-On	1		
30	1955402	Switch-Rocker,Dpdt High/Low	1		
31	1955403	Switch-Rocker,Spst Momentary	1		
32	1006489	Green Pilot Light 120V	1		14-Mar-03
	1936101	Indicator Lamp-Green, 120V	1	14-Mar-03	
33	1270000	Amber Pilot Light 28V	1		14-Mar-03
	1936103	Indicator Lamp-Amber, 28V	1	14-Mar-03	
34^	1671100	Polar Fan 115V	1	9-Sep-99	
	1918201	Polar Fan 115V	1		9-Sep-99
35^	G03559-1	Transformer - Class 2, 120V-24V	1		
37*	1949511	Wirring Diagram 115V 60HZ Gas - Mechanical			
Control-IM20,208/240 Gas USR					
20	1908527	Overlay Control Panel - Mod 20, Mechanical	1		
21^	1955501	Power Control Board - Im200, 150-500 Deg F	1		
22	1955701	Standoff-Nylon, 1/4X1/2X1	2		
23*	1955801	Washer-Teflon,7/16 Od	2		
24*	8001502	Nut W/L'Washer 6-32 Kep	2		

* NOT ILLUSTRATED

^ DIGITAL PHOTO AT THE END

RECOMMENDED STOCK PARTS

US RANGE PARTS IDENTIFICATION

Control Panel - Model IM200

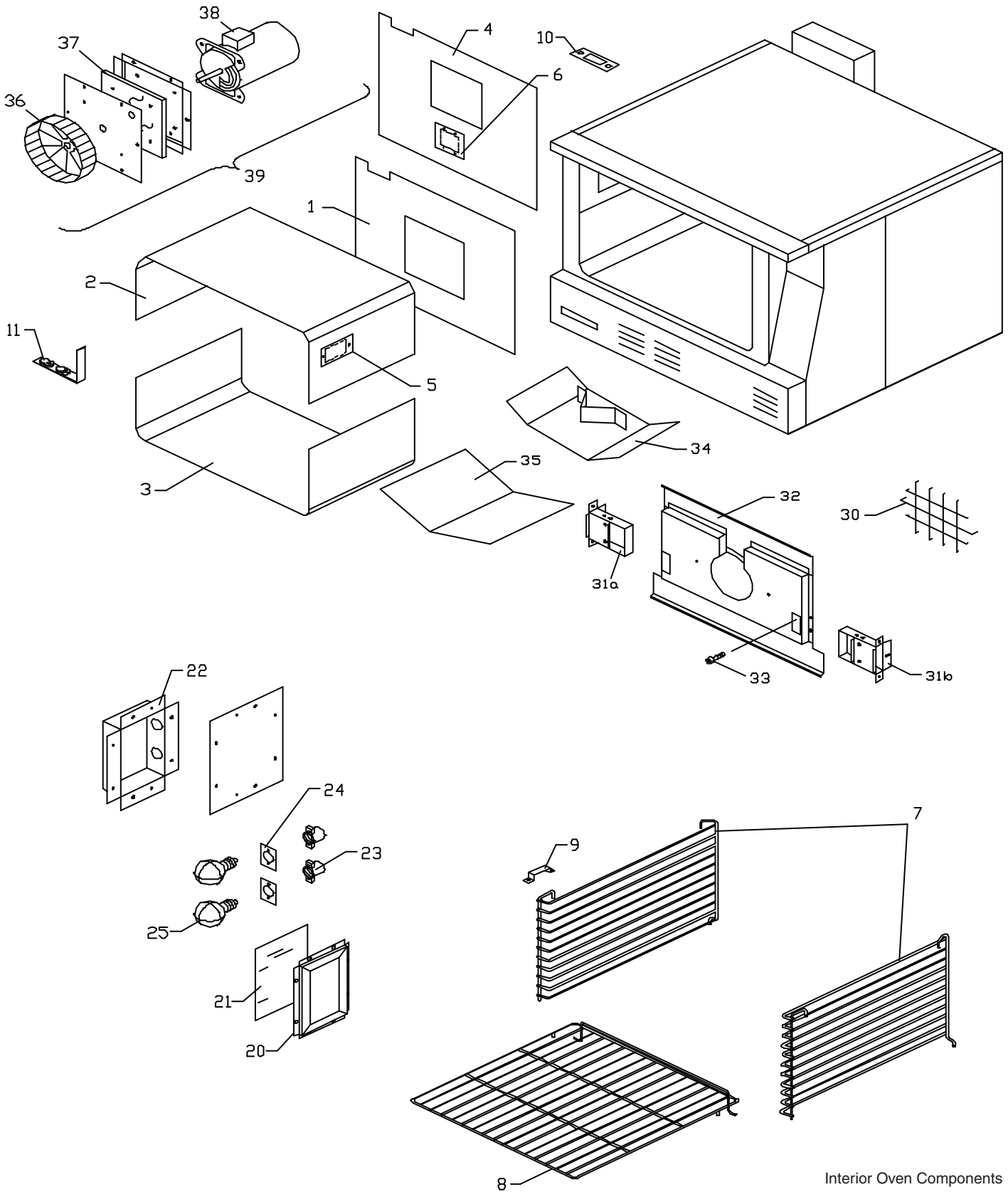
ITEM	PART #	DESCRIPTION	MODEL		
			SUMG-100		
			QTY	FROM DATE	UP TO DATE
Control-IM20,208/240 Gas USR Continued					
25	1946690	Control Panel Assembly - IM200	1		
26	1956002	Timer - 1 Hr, 240V W/Alarm	1		
27	1955601	Potentiometer-IM200 150-500Deg	1		
28	1765802	Fluted Knob W(2) Set Screws	2		
29	1955401	Switch-Rocker,Dpdt On-Off-On	1		
30	1955402	Switch-Rocker,Dpdt High/Low	1		
31	1955403	Switch-Rocker,Spst Momentary	1		
32	1006493	Pilot Light Green 240V	1		14-Mar-03
	1936102	Indicator Lamp-Green, 250V	1	14-Mar-03	
33	1270000	Amber Pilot Light 28V	1		14-Mar-03
	1936103	Indicator Lamp-Amber, 28V	1	14-Mar-03	
34^	1971101	Polar Fan 230V	1	9-Sep-99	
	1918202	Polar Fan 230V	1		9-Sep-99
35	1636000	Transformer, 24 VAC	1		
36	1028402	Ground Lug	1		
37*	1949512	Wiring Diagram 208/240V Gas, Mechanical			

* NOT ILLUSTRATED

^ DIGITAL PHOTO AT THE END

RECOMMENDED STOCK PARTS

NOTES



Interior Oven Components

US RANGE PARTS IDENTIFICATION

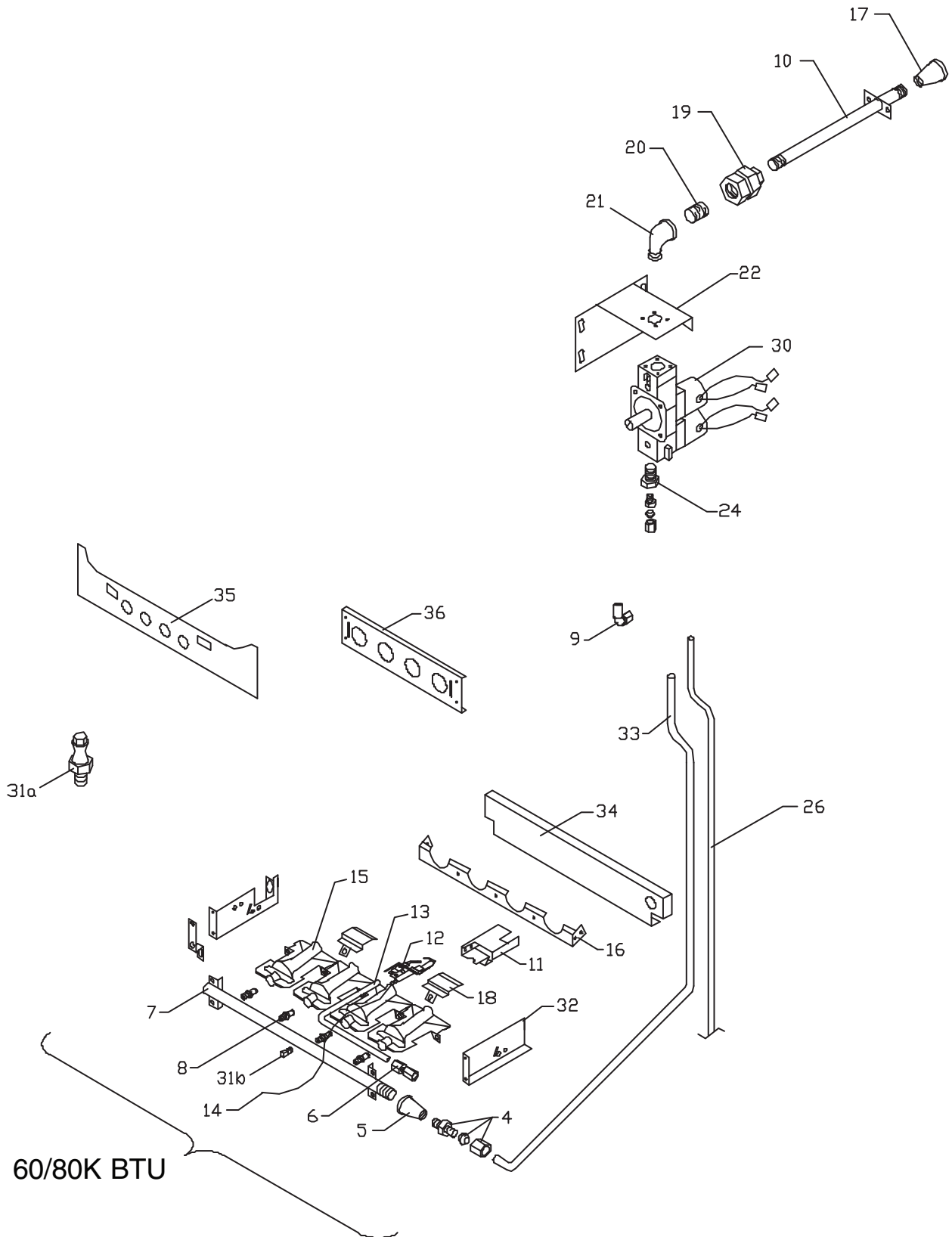
Oven Interior

ITEM	PART #	DESCRIPTION	MODEL		
			SUMG-100		
			QTY	FROM DATE	UP TO DATE
Interior-GCE (Ground Coat Enamel) STD Gas					
1**	1921399	Panel - Cavity Back, Gas GCE			
2**	1921599	Panel - Cavity Top, Standard Gas GCE			
3**	1922399	Panel - Cavity Bottom, Standard GCE			
Interior-SS (Stainless Steel) STD Gas					
4**	1928101	Panel - Cavity Back, S/S			
2**	1925601	Panel - Cavity Top, Standard SS CP			
3**	1922301	Panel - Cavity Bottom, Standard SS			
5**	1928203	Plate - Core Probe Patch			
6**	1928204	Plate - Element Patch			
Interior-CCE (Continuous Clean Enamel) STD Gas					
4**	1928198	Panel - Cavity Back, CCE			
2**	1925698	Panel - Cavity Top, Std CCE CP			
3**	1922398	Panel - Cavity Bottom, Std CCE			
5**	1928203	Plate - Core Probe Patch			
6**	1928204	Plate - Element Patch			
7	1922001	Rack Guide - 10 Position Standard	2		
8	1922201	Rack - Standard			7-Oct-02
	1922211	Rack - Standard		7-Oct-02	
9	1765212	Rack Clip			
10	1784302	Oven Vent Cap - 60 - (Nat & Pro)	1		
	1784303	Oven Vent Cap - 80 - (Nat)	1		
11	1785998	Fan Duct Restrictor 60K S/W	2		
	1785997	Fan Duct Restrictor 80K S/W - (Nat)	2		
20	1921801	Cover Light Box	1		
21	1676901	Glass Duplate Toughened			
22	1921902	Box Light			
23	1025800	Lamp Socket Porcelain			
24	1025900	Light Socket Gasket			
25	1623900	Light Bulb 40W			
Common Parts					
30	1014500	Blower Inlet Cover	1		
31a	1782598	Fan Cover Duct Right S/W	1		
31b	1782599	Fan Cover Duct Left S/W	1		
32	1802999	Fan Cover S/W	1		
33	8004005	Allen Head Screws	4		
34	1919198	Panel W/A - Combustion Chamber Bottom Std	1		
35	1783901	Fire Plate Std	1		
36	1025302	Blower Wheel Assembly	1		
37	1916499	Motor Pocket Assembly	1		
38	1686712	Motor 3/4 CAP 208 / 240V	1		
	1686711	Motor 3/4HP 115VOLT 2SPEED	1		
39	1686799	Motor Assembly - 115V 60HZ 2SP	1		
	1686798	Motor Assembly - 208/240V 50/60HZ 2SP	1		
*	1949579	Wiring Harness Lights		2-Jul-01	
*	1028800	Snap Bushing 1.000 DIA		2-Jul-01	

* NOT ILLUSTRATED

** NOT FIELD REPLACEABLE (INTERNAL REFERENCE)

RECOMMENDED STOCK PARTS



US RANGE PARTS IDENTIFICATION

Burner Section

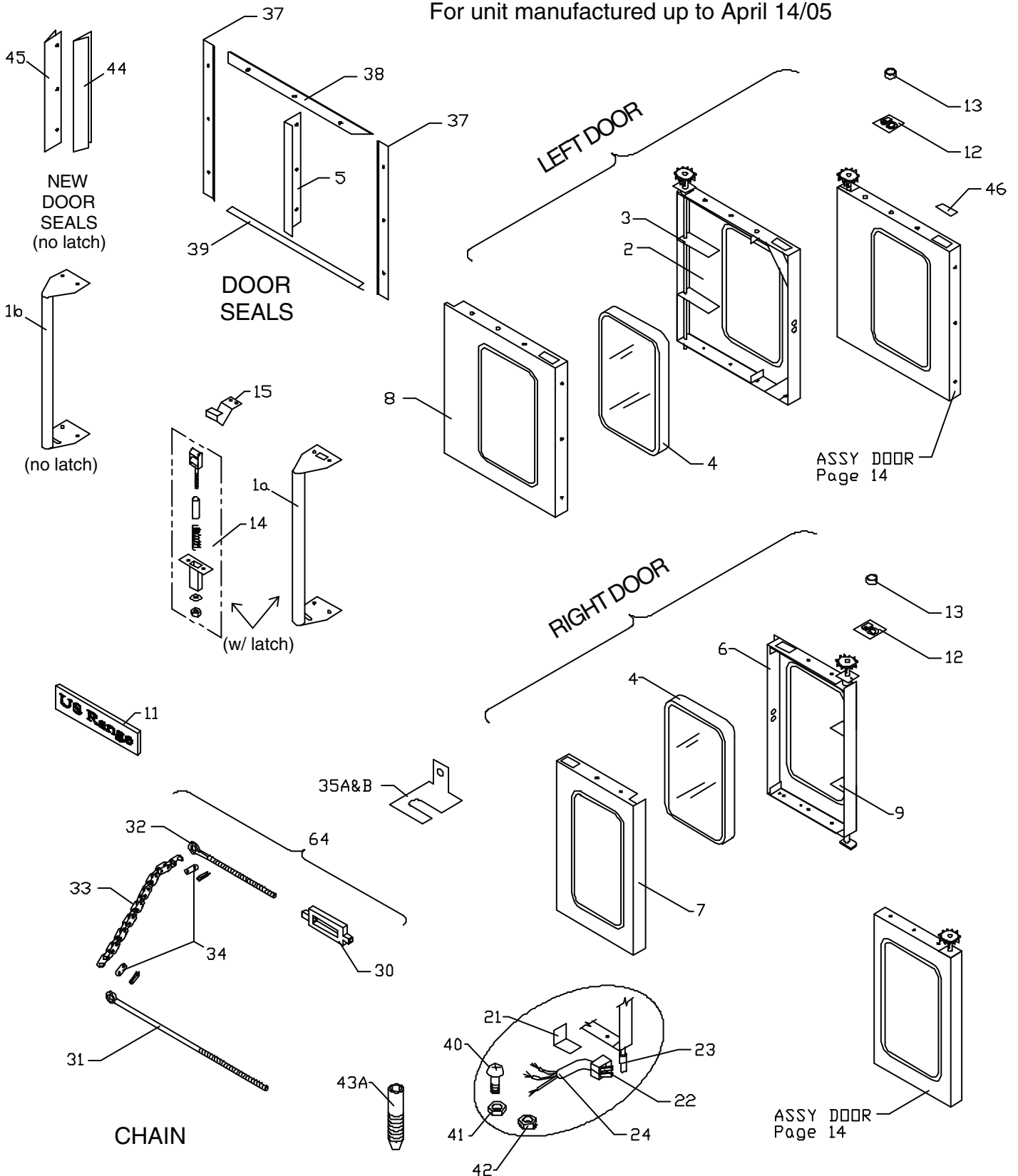
ITEM	PART #	DESCRIPTION	MODEL				
			SUMG-100				
			QTY	FROM DATE	UP TO DATE	NAT	PRO
4	1095499	Straight Connector Assembly 3/8X7/16 CC	2		26-Mar-03	X	X
	1095499	Straight Connector Assembly 3/8X7/16 CC	1	26-Mar-03		X	X
5	1004845	Reducer Coupling 1/2 X 3/8	1			X	X
6	1811101	Coupling 1/4 CC X 1/4 CC				X	X
7	1916101	Manifold	1			X	X
8	1804350	#50 - Natural Orifice	4			X	
	1804356	#56 - LPropane Orifice	4				X
	1804348	Natural Orifice (.078")	4			X	
9	1027499	Male Connector Assy 3/8 X 7/16	1	26-Mar-03		X	X
10	1916199	Tail Pipe – Std.	1			X	X
	1916198	Tail Pipe – Deep	1			X	X
11	1926601	Bracket - Pilot Mount	1			X	X
12 [^]	1814901	Honeywell Pilot Nat (60 & 80K)	1		21-Mar-03	X	
	1935802	Pilot Natural Type "B" Mount	1	21-Mar-03		X	
	1814902	Honeywell Pilot LP	1		21-Mar-03		X
	1935801	Pilot Assembly, Propane .018 Bell	1	21-Mar-03			X
13	1949201	Tubing - Pilot	1			X	X
14	1815002	Hi Tension Ignition Wire	1		26-Mar-03	X	X
15 [*]	1803501	Inshot Burner	4		19-Dec-02	X	X
	4515130	Inshot Burner Assembly	4	19-Dec-02		X	X
16	1926201	Support - Burner Rest	1			X	X
17	1004849	Bell Reducer 3/4 To 1/2	1			X	X
18	1847602	Carry Over Bracket	2			X	X
19	1026903	Union 1/2 Npt - Raw	1			X	X
20	1004640	1/2 Close Nipple 1" Long	1		18-Feb-02	X	X
	1004644	1/2"X 3" Nipple	1	18-Feb-02		X	X
21	1026733	1/2 NPT Street Elbow 90 Deg	1			X	X
22	1918999	Bracket - Gas Valve Mount	1			X	X
24	1038401	Hex Seal Bushing 1/2 X 3/8	1			X	X
26	1949202	Tubing - Valve To Pilot				X	X
30 [^]	1935701	Valve-Gas, Dual W/Shut 4"WC (60 & 80K)		22-Apr-03		X	
	1935702	Valve Gas, Dual W/Shut 10"WC		19-Mar-03			X
	1806501	Redundant Valve W/Manual Shutoff 40/60K			22-Apr-03	X	
	1806502	Redundant Valve W/Manual Shutoff 40/60/80K			19-Mar-03		X
31a	02251-1	Pressure Test Spigot	1			X	X
31b	1007300	1/8 Steel Pipe Plug	1		9-Sep-01	X	X
32	1916001	Bracket - Burner Mount	2			X	X
33	1934308	Tubing-Gas Valve-Manifold	1	26-Mar-03		X	X
34	1919601	Cover - Burner Box Back	1			X	X
35	1915401	Cover - Burner Box Front	1			X	X
36	4420002	Adapter Bracket Inshot Burner	1	11-Apr-05		X	X
40 [*]	1034611	Fuel Tag - L Propane					X
	1034610	Fuel Tag - Natural 80K BTU				X	
*	8003134	MSCR-TH-STL-PHIL 10-24x1/4	1				X
*	8003212	Mscr-Ph-Phil 6-32x1-1/2 Stl Zp	4	28-Mar-02		X	X
*	8001502	Nut W/LWasher 6-32 Kep	4	28-Mar-02		X	X

* NOT ILLUSTRATED

[^] DIGITAL PHOTO AT THE END

RECOMMENDED STOCK PARTS

For unit manufactured up to April 14/05



Dependent Door System

US RANGE PARTS IDENTIFICATION

Door Section - Units Manufactured Up To April 14, 2005

ITEM	PART #	DESCRIPTION	MODEL		
			SUMG-100		
			QTY	FROM DATE	UP TO DATE
1a	1924395	Handle - Door, Black	1		Feb-03
1b	1924396	Handle - Door, Black	1	Mar-03	
2a	1923997	Panel - Left Door Liner Window	1		
2b	1923996	Panel - Left Door Liner Solid	1		
3	1923899	Frame W/A - Left Door	1		
4	1010999	Oven Door Window (3/16" Glass)	1		
5a	1924412	Seal Door Center (Left Door)	1		Jan-03
5b	1924411	Seal Door Center (Right Door)	1		Jan-03
6a	1923998	Panel - Right Door Liner (Solid)	1		
6b	1923999	Panel - Right Door Liner (Window)	1		
7a	1924003	Panel - Right Door (Solid)	1		
7b	1924004	Panel - Right Door (Window)	1		
8a	1924002	Panel - Left Door Window	1		
8b	1924001	Panel - Left Door Solid	1		
9	1923898	Frame W/A - Right Door	1		14-Apr-05
10*	1915917	Insulation - Right Door Solid	1		
11	3077102	Nameplate - US Range, 7-5/8	1		
12	1923499	Plate - Door Bushing	2		
13	1923201	Spacer - Door Hinge	2		
14^	CK1757998	Latch Bench Assembly	1		Jan-03
15	1925005	Door Catch Bracket	1		Jan-03
20*	1915914	Insulation Left Door - Window			
	1915916	Insulation Right Door Window			
	1915915	Insulation - Left Door Solid			
21	1925001	Bracket Door Switch Right	1		
22^	4519715	Micro Switch Hi Temp	2		
23	1925101	Cam - Door Switch	1		
24	1949575	Wiring Harness Door Switches, Mech	1		
25*	1028800	Snap Bushing 1.000 Dia	1		
30	1015000	Turnbuckle 1/4-20 W/4" Take Up	2		
31	1014200	Connecting Rod Right (long) – Not Sold Separately	2		
32	1014201	Connecting Rod Left (short) – Not Sold Separately	2		
33	1021100	Roller Chain #40	2		
34	1021299	Connecting Link #40 Components	2		
35A	1925013	Bracket - Door Stop L/H	1 per door		
35B	4519740	Bracket - Door Stop R/H	1 per door	14-Apr-05	
36*	1924402	Seal - Door Center	1 per door		12-Feb-01
37	1924601	Seal - Door Left & Right	1 per door		
38	1924711	Seal - Door Top	1 per door		
39	1924712	Seal - Door Bottom	1 per door		
40	8003208	Machine Screw-Pan Head Phillips Head	2		
41	8001203	Hex Nut	2		
42	8001502	Nut W/Lock Washer	2		
43A	8003802	Set Screw Socket 10-32 X 1/4	2		
43B*	8020203	FTSNF – 1/4 – 20	2		
44	1924411	Center Right Seal From serial # 0301CJ0082	1	Jan-03	
45	1924412	Center Left Seal From serial # 0301CJ0082	1	Jan-03	

* NOT ILLUSTRATED

^ DIGITAL PHOTO AT THE END

RECOMMENDED STOCK PARTS

US RANGE PARTS IDENTIFICATION
Door Section - Units Manufactured Up To April 14, 2005

ITEM	PART #	DESCRIPTION	MODEL		
			SUMG-100		
			QTY	FROM DATE	UP TO DATE
46	1928209	Plate Door Handle From serial # 0301CJ0082	1	Jan-03	
64	4520166	Door Chain Assembly Include Items: 30, 31, 32, 33, 34	1		14-Apr-05
Available kits					
1924869		Door Left W/Window Include Items: 2, 8, 3, 20, 4, 1, 5a	1		14-Apr-05
1924965		Door Right W/Window Include Items: 6b, 7b, 9, 20, 4, 11	1		14-Apr-05
1924964		Door - Right - Solid Include Items: 6, 7, 9, 10, 11, 5b	1		14-Apr-05
1924868		Door - Left - Solid Include Items: 2b, 8b, 9, 20, 1, 5a	1		14-Apr-05

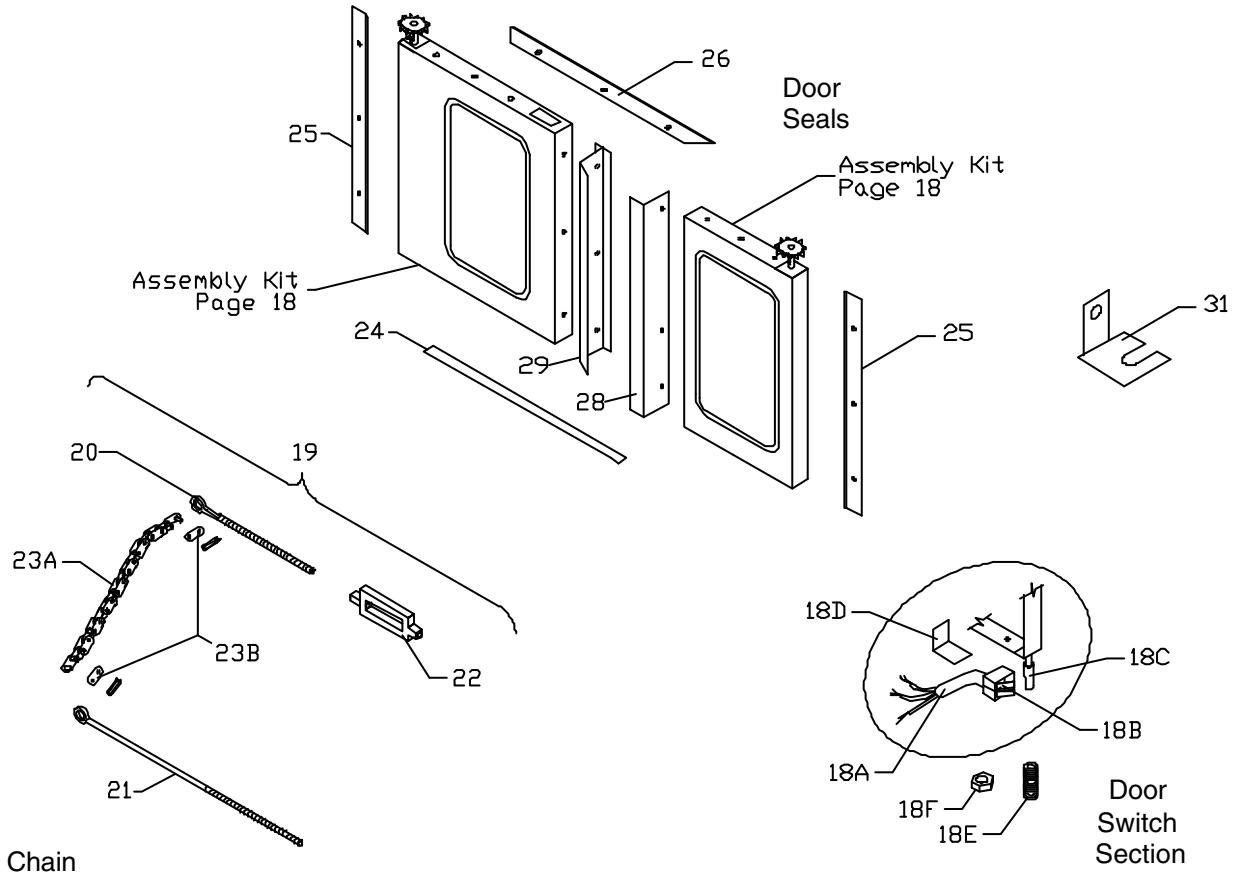
* NOT ILLUSTRATED

^ DIGITAL PHOTO AT THE END

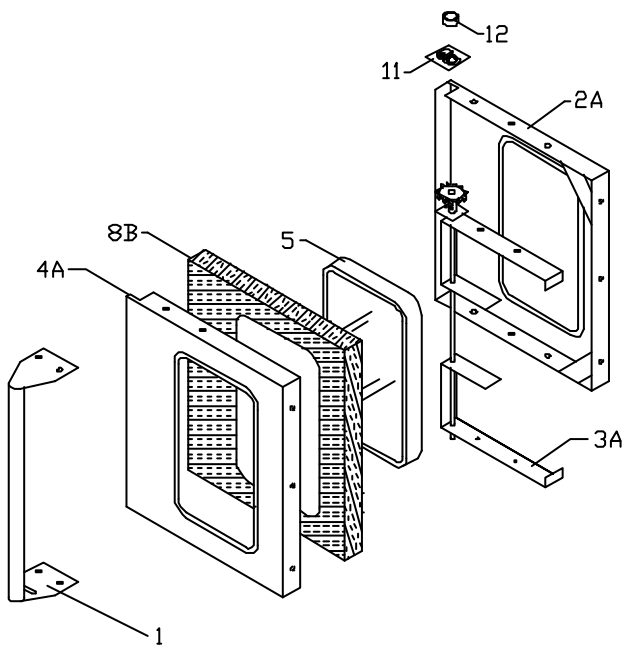
RECOMMENDED STOCK PARTS

NOTES

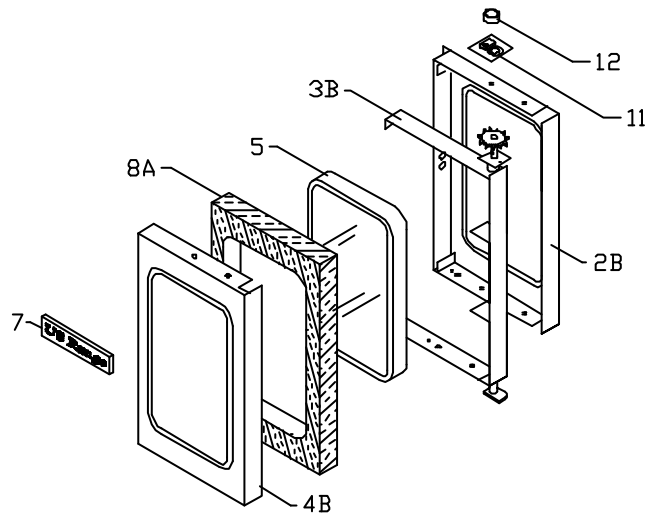
For Units Manufactured After April 14/05



Left Door



Right Door



Door Assemblies 2005

US RANGE PARTS IDENTIFICATION

Door Assemblies - Units Manufactured After April 14, 2005

ITEM	PART #	DESCRIPTION	MODEL		
			SUMG-100		
			QTY	FROM DATE	UP TO DATE
1	1924396	Door Handle - Black	1		
2A	1923997	Panel - Left Door Liner Window Used in Prison Door Assembly Also	1		
	1923996	Panel - Left Door Liner Solid Used in Prison Door Assembly Also	1		
2B	1923998	Panel - Right Door Liner Solid Used in Prison Door Assembly Also	1		
	1923999	Panel - Right Door Liner Window	1		
3A	4520373	Weld Assembly Frame Left Door Extended Bearing Plate	1	14-Apr-05	
3B	4520374	Weld Assembly Frame Right Door Extended Bearing Plate	1	14-Apr-05	
4A	1924001	Panel - Left Door Solid	1		
	1924002	Panel - Left Door Window	1		
	1924007	Panel - Left Door Solid (Prison)	1		
	1924011	Panel - Left Door Window (Prison)	1		
4B	1924003	Panel - Right Door Solid	1		
	1924008	Panel - Right Door Solid (Prison)	1		
	1924004	Panel - Right Door Window	1		
5	1010999	Oven Door Window (3/16" Glass)	1 per door		
6*	1925099	Bracket W/A - Door Hasp (Prison)			
7	3077102	Nameplate US Range 7-5/8 Mounted on the R/H Door	1		
8A	1915916	Insulation Right Door, W/Window	1		
	1915917	Insulation - Right Door, Solid	1		
8B	1915914	Insulation - Left Door, W/Window	1		
	1915915	Insulation - Left Door, Solid	1		
10*	1925009	Plate - Door Hasp Back (Prison)			
11	4520301	B/A Plate - Door Bushing Extended	2	14-Apr-05	
12	1923201	Spacer - Door Hinge	2		
18A	1949575	Wire Harness - Mechanical Door Switches	1		
18B	4519715	Micro Switch Hi Temp - Hi Current	2		
18C	1925101	Cam - Door Switch	1	Apr-00	
18D	1925001	Bracket Door Switch Right	1	Apr-00	
18E	8003802	Set Screw 10x24x3/8"	2		
18F	8001203	Nut Hex Stl 8-32	2		
18G*	8001502	Nut w/Washer 6-32 ksp	2		
18H*	8003208	MSCR-PH-6 32x32 ST 2P	2		
19	4520166	Door Chain Assembly Requires One Per Door	1		
20	1014201	Connecting Door Rod - Short (Not sold separately)	2		
21	1014200	Connecting Door Rod - Long (Not sold separately)	2		
22	1015000	Turnbuckle 1/4-20 w/4" Take Up	2		
23A	1021100	Roller Chain #40	2		
23B	1021299	Connecting Link #40	4		
24	1924712	Seal - Door, Bottom	1	Apr-00	
25	1924601	Seal - Door, Left & Right	2	Apr-00	
26	1924711	Seal - Door Top		Apr-00	
28	1924411	Center - Right Door Seal	1		
29	1924412	Center - Left Door Seal	1		
31	1925013	Bracket - Door Stop L/H	1	Apr-00	
	4519740	Bracket - Door Stop R/H	1	Apr-05	
32*	8003603	Carriage Bolt 3/8-16 X 3/4	3		
33*	1019800	Self Threading Pal Nut			

* NOT ILLUSTRATED

RECOMMENDED STOCK PARTS

US RANGE PARTS IDENTIFICATION

Door Assemblies - Units Manufactured After April 14, 2005

ITEM	PART #	DESCRIPTION	MODEL		
			SUMG-100		
			QTY	FROM DATE	UP TO DATE
34*	8001210	Nut Hex 3/8-16 Stl 2P	3		
35*	8000308	Washer - Flat 3/8x3/4 Stl 2P	3		

Kits Door Assemblies - Units Manufactured After April 14, 2005

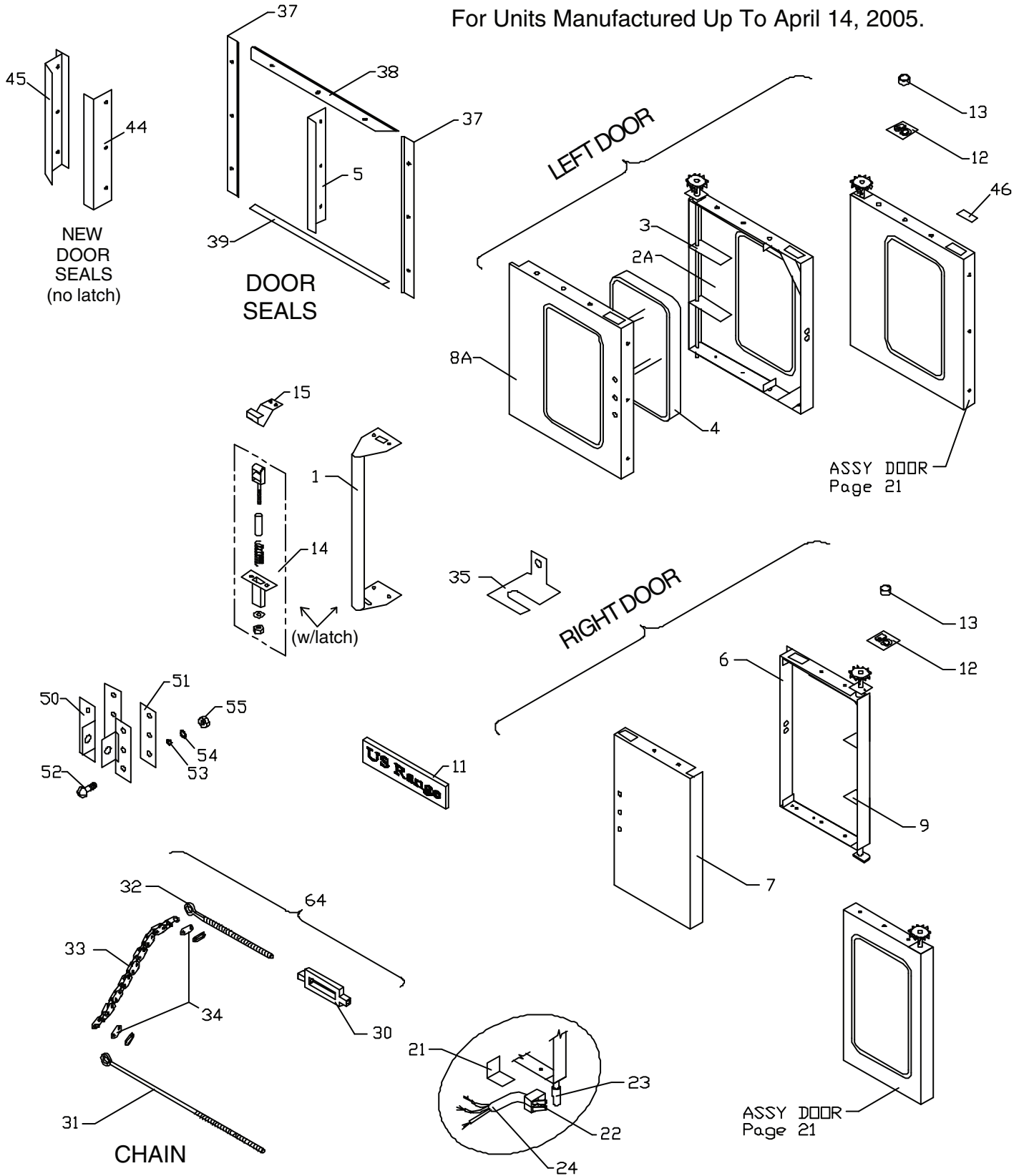
4520318	Door Left W/Window	1	14-Apr-05	
4520319	Door Right W/Window	1	14-Apr-05	
4520321	Door Right Solid	1	14-Apr-05	
4520320	Door Left Solid	1	14-Apr-05	

* NOT ILLUSTRATED

RECOMMENDED STOCK PARTS

NOTES

For Units Manufactured Up To April 14, 2005.



Dependent Door System

US RANGE PARTS IDENTIFICATION

Door Section - Prison Package - Units Manufactured Up To April 14, 2005

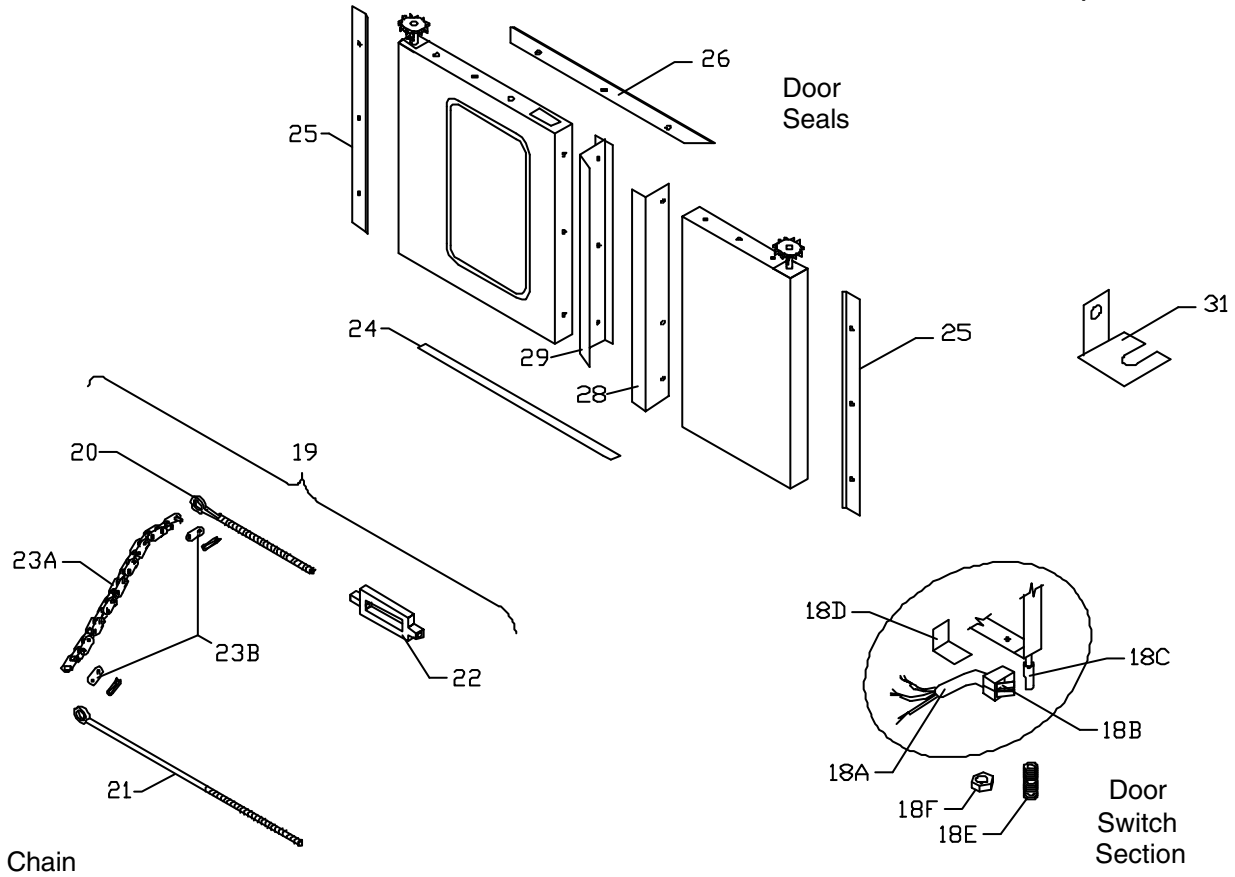
ITEM	PART #	DESCRIPTION	MODEL		
			SUMG-100		
			QTY	FROM DATE	UP TO DATE
1	1924396	Handle - Door, Black	1		
2A	1923997	Panel - Left Door Liner Window	1		
2B*	1923996	Panel - Left Door Liner Solid	1		
3	1923899	Frame W/A - Left Door	1		14-Apr-05
4	1010999	Oven Door Window (3/16" Glass)	1		
5	1924412	Seal Door Center (Left Door)	1		12-Feb-01
6	1923998	Panel - Right Door Liner (Solid)	1		
7	1924008	Panel - Right Door Solid (Prison)	1		
8A	1924011	Panel - Left Door Window	1		
8B*	1924007	Panel - Left Door Solid	1		
9	1923898	Frame W/A - Right Door			14-Apr-05
11	3077102	Name Plate US Range 7-5/8	1		
12	1923499	Plate - Door Bushing	2		14-Apr-05
13	1923201	Spacer - Door Hinge	2		
14^	CK1757998	Latch Bench Assembly	1		Jan-03
15^	1925005	Door Catch Bracket	1		Jan-03
20*	1915914	Insulation Left Door - Window			
	1915915	Insulation - Left Door			
	1915917	Insulation - Right Door Solid			
21	1925001	Bracket Door Switch Right	1		
22^	4519715	Micro Switch Hi Temp – Hi Current	2		
23	1925101	Cam - Door Switch	1		
24	1949575	Wiring Harness Door Switches, Mech	1		
25*	1028800	Snap Bushing 1.000 Dia	1		
30	1015000	Turnbuckle 1/4-20 W/4" Take Up	2		
31	1014200	Connecting Rod Right (long) – Not Sold Separately	2		
32	1014201	Connecting Rod Left (short) – Not Sold Separately	2		
33	1021100	Roller Chain #40	2		
34	1021299	Connecting Link #40 Components	2		
35A	1925013	Bracket - Door Stop L/H Side	2		
35B	4519740	Bracket - Door Stop R/H Side	1	14-Apr-05	
37	1924601	Seal - Door Left & Right	2		
38	1924711	Seal - Door Top	1		
39	1924712	Seal - Door Bottom	1		
44	1924411	Center Right Seal From serial # 0301CJ0082	1	Jan-03	
45	1924412	Center Left Seal From serial # 0301CJ0082	1	Jan-03	
46	1928209	Plate Door Handle From serial # 0301CJ0082	1	Jan-03	
50^	1925099	Bracket W/A - Door Hasp	2		
51^	1925009	Plate - Door Hasp Back	2		
52^	8003603	Carriage Bolt 3/8-16 X 3/4	6		
53	8000207	Lock Washer Split 3/8x11/64x3/32STLZP	6		
54	8000308	Washer Flat 3/8x3/4 STL ZP	6		
55	8001210	Nut Hex 3/8-16 STL ZP	6		
Available Kits					
64	4520166	Door Chain Assembly Requires One Per Door	1		
	1924867	Door Left - Window (Prison)	1		14-Apr-05
	1924966	Door Right - Solid (Prison)	1		14-Apr-05
	1924866	Door Left - Solid (Prison)	1		14-Apr-05

* NOT ILLUSTRATED

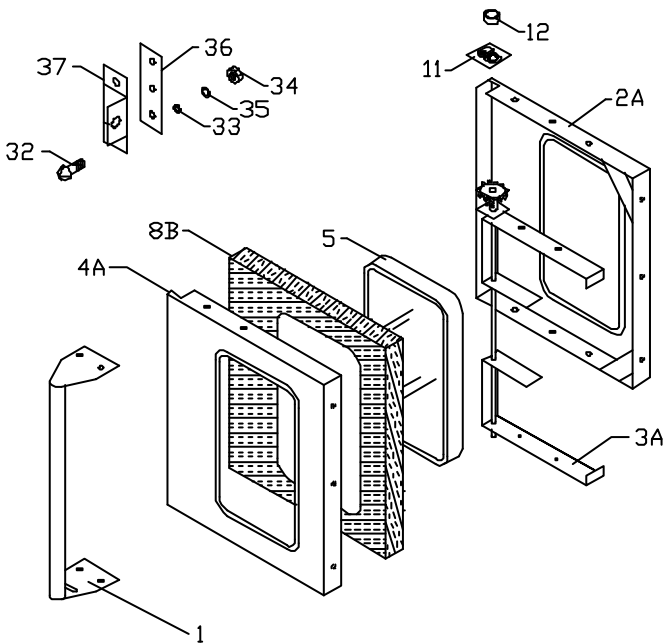
^ DIGITAL PHOTO AT THE END

RECOMMENDED STOCK PARTS

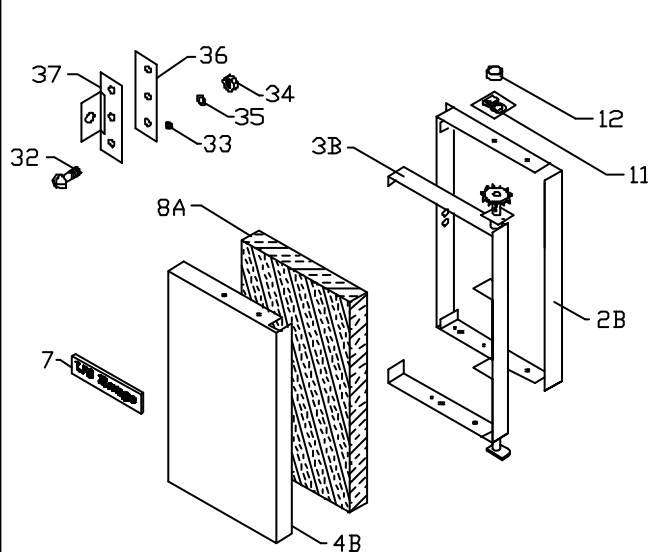
For Units Manufactured After April 14/05



Left Door



Right Door



Door Assemblies 2005 (Prison)

US RANGE PARTS IDENTIFICATION

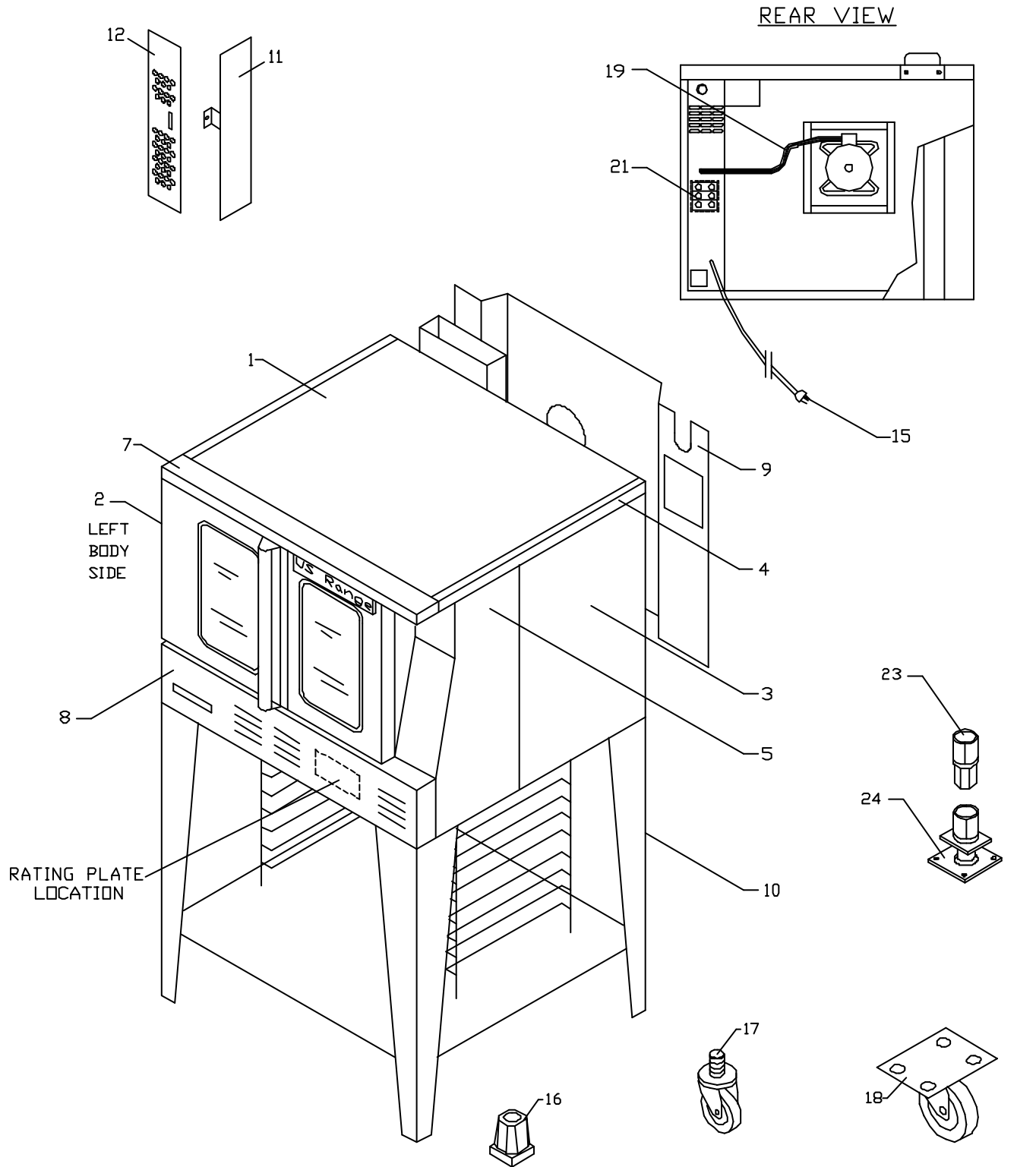
Door Assemblies - Prison Package - Units Manufactured After April 14, 2005

ITEM	PART #	DESCRIPTION	MODEL		
			SUMG-100		
			QTY	FROM DATE	UP TO DATE
1	1924396	Door Handle - Black	1		
2A	1923997	Panel - Left Door Liner Window	1		
	1923996	Panel - Left Door Liner Solid			
2B	1923998	Panel - Right Door Liner Solid			
3A	4520373	Weld Assembly Frame Left Door Extended Bearing Plate	1	14-Apr-05	
3B	4520374	Weld Assembly Frame Right Door Extended Bearing Plate	1	14-Apr-05	
4A	1924007	Panel - Left Door Solid (Prison)			
	1924011	Panel - Left Door Window (Prison)			
4B	1924008	Panel - Right Door Solid (Prison)			
5	1010999	Oven Door Window (3/16" Glass)	1 per door		
7	3077102	Nameplate US Range 7-5/8 Mounted on the R/H Door	1		
8A	1915916	Insulation Right Door, W/Window	1		
	1915917	Insulation - Right Door, Solid	1		
8B	1915915	Insulation - Left Door, Solid	1		
11	4520301	B/A Plate - Door Bushing Extended	2	14-Apr-05	
12	1923201	Spacer - Door Hinge	2		
18A	1949575	Wire Harness - Mechanical Door Switches	1		
18B	4519715	Micro Switch Hi Temp - Hi Current 200 Series Control Only	2		
18C	1925101	Cam - Door Switch	1	Apr-00	
18D	1925001	Bracket Door Switch Right	1	Apr-00	
18E	8003802	Set Screw 10x24x3/8"	2		
18F	8001203	Nut Hex Stl 8-32	2		
18G*	8001502	Nut w/Washer 6-32 ksp	2		
18H*	8003208	MSCR-PH-6 32x32 ST 2P	2		
19	4520166	Door Chain Assembly Requires One Per Door	1		
20	1014201	Connecting Door Rod - Short (Not sold separately)	2		
21	1014200	Connecting Door Rod - Long (Not sold separately)	2		
22	1015000	Turnbuckle 1/4-20 w/4" Take Up	2		
23A	1021100	Roller Chain #40	2		
23B	1021299	Connecting Link #40	4		
24	1924712	Seal - Door, Bottom	1	Apr-00	
25	1924601	Seal - Door, Left & Right	2	Apr-00	
26	1924711	Seal - Door Top		Apr-00	
28	1924411	Center - Right Door Seal	1		
29	1924412	Center - Left Door Seal	1		
31	1925013	Bracket - Door Stop L/H	1	Apr-00	
	4519740	Bracket - Door Stop R/H	1	Apr-05	
32	8003603	Carriage Bolt 3/8-16 X 3/4	3		
33	8000207	Lock Washer Split 3/8x11/64x3/32 Stlzp			
34	8001210	Nut Hex 3/8-16 Stl 2P	3		
35	8000308	Washer - Flat 3/8x3/4 Stl 2P	3		
36	1925009	Plate - Door Hasp Back (Prison)			
37	1925099	Bracket W/A - Door Hasp (Prison)			

* NOT ILLUSTRATED

^ DIGITAL PHOTO AT THE END

RECOMMENDED STOCK PARTS



US RANGE PARTS IDENTIFICATION

Main Exterior

ITEM	PART #	DESCRIPTION	MODEL		
			SUMG-100		
			QTY	FROM DATE	UP TO DATE
Covers Side & Top - Stainless Steel & Prison Package					
1	1917602	Cover - Top, SS	1		
2	1920201	Cover - Body Side Left, SS	1		
3	1918701	Cover - Body Side Right, SS	1		
4	1920701	Cover - Main Top Trim	2		
5	1925901	Cover - Control Panel, RT SS USR	1		
	1925801	Cover - Control Panel Left USR	1		
7	1925301	Cover - Upper Front Trim, SS	1		
8	1925401	Cover - Lower Front Trim, SS	1		
9	1921001	Cover - Main Back, STD SS	1		
10	1927199	Leg W/A - Sing Deck, Caster SS	4		
	1927197	Leg W/A - Sing Deck, Foot SS	4		
	1927195	Leg W/A - Dbl Stack, Foot SS	4		
*	1028803	Snap Bushing 1.750 DIA	1		
*	1739401	Label Warning Improper Instruction	1		
Covers Side & Top & Back - GG					
1	1917601	Cover - Top, GG W/TRIM	1		
	1917603	Cover - Top, Black No Trim Holes - GG	1		
2	1920202	Cover - Body Side Left, GG	1		
3	1918702	Cover - Body Side Right, GG	1		
5	1925902	Cover - Control Panel Right, GG USR	1		
	1925801	Cover - Control Panel Left USR	1		
7	1925301	Cover - Upper Front Trim, SS	1		
8	1925401	Cover - Lower Front Trim, SS	1		
9	1921002	Cover - Main Back, STD GG	1		
10	1927198	Leg W/A - Sing Deck, Caster GG	4		
	1927196	Leg W/A - Sing Deck, Foot GG	4		
	1927194	Leg W/A - Dbl Stack, Foot GG	4		
*	1028803	Snap Bushing 1.750 DIA	1		
*	1739401	Label Warning Improper Installation	1		
Covers-prison Package					
1	1917602	Cover - Top, SS			
2	1920201	Cover - Body Side Left, SS			
3	1918701	Cover - Body Side Right, SS			
7	1925301	Cover - Upper Front Trim, SS			
8	1925401	Cover - Lower Front Trim, SS			
11	1925999	Cover W/A-Control Panel (Prison Package)			
12^	1925899	Cover W/A-Control Panel (Prison Package)			
*	1928208	Plate - Closeout, Control Area			
*	1949302	MSCR - Tamper Resistance w/Pin 10-24 x 3/4			
*	1949301	MSCR - Tamper Resistance w/Pin 10 x 3/4			
*	1921089	Cover W/A-Standard Prison	1	11-Feb-02	
*	1921098	Cover W/A-Back, Standard (Prison)	1		11-Feb-02
Common Parts					
15	1029501	8' Long Power Supply Cord	1		
16	1775102	Caster Insert (Single Deck Only)	4		
17	1926501	Caster - Single Deck	4	Apr-00	
	1926502	Caster - Single Deck w/Brake	4	Apr-00	

* NOT ILLUSTRATED

^ DIGITAL PHOTO AT THE END

RECOMMENDED STOCK PARTS

US RANGE PARTS IDENTIFICATION

Main Exterior

ITEM	PART #	DESCRIPTION	MODEL		
			SUMG-100		
			QTY	FROM DATE	UP TO DATE
Common Parts Continued					
18	1926531	Heavy Duty Caster - Double Deck	4	Apr-00	
	1926532	Heavy Duty Caster - Double Deck w/Brake	4	Apr-00	
	1926521	Lo Profile Caster - Double Deck	4	Apr-00	
	1926522	Lo Profile Caster - Double Deck w/Brake	4	Apr-00	
19	1029426	3/8 BX Cable 26 Long	1		
20*	1927898	Cover - External Terminal Block (208/240V 60HZ Gas)	1		
21	1193900	Terminal Block 3 Pole (208/240V 60HZ Gas)	1		
22*	1927898	Cover - External Terminal Block (208/240V 60HZ Gas)	1		
23	1236100	1-1/2" Square Foot Insert	4		
24	1949701	Flanged Foot Insert	4		

* NOT ILLUSTRATED

^ DIGITAL PHOTO AT THE END

RECOMMENDED STOCK PARTS



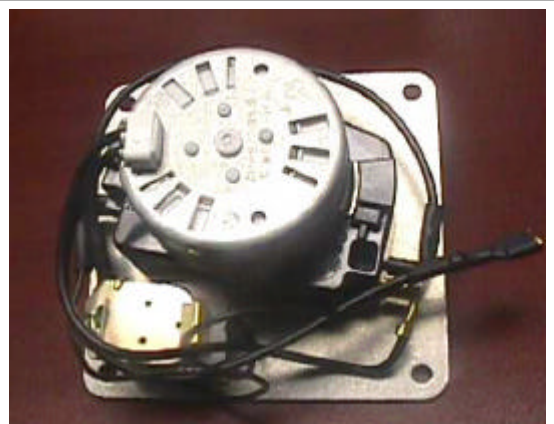
G03559-1 TRANSFORMER 24VAC
50/60HZ - CLASS 2



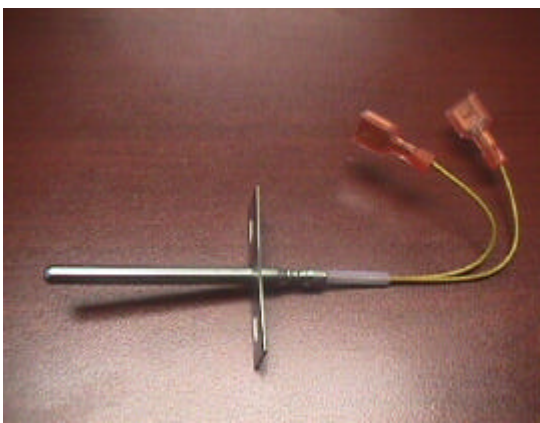
1918201 POLAR FAN 115V



1955501 POWER CONTROL BOARD



1956001 TIMER – 1HR. 115V



1906002 PROBE – FLANGE MOUNT



CK02-008 IGNITION MODULE



1935802 PILOT NATURAL TYPE "B"
MOUNT



1935801 PILOT ASSEMBLY PROPANE



1935701 VALVE GAS DUAL W/SHUT 4"
WC (60 & 80K)



CK1757998 LATCH BENCH ASSEMBLY



PRISON PACKAGE CONVECTION OVEN



1925005 DOOR CATCH BRACKET



1955001 MICRO SWITCH HI-TEMP
15 AMP

US RANGE PARTS IDENTIFICATION

Revision History

REV. #	PAGE #	ITEM #	NOTE	DATE
			Parts List Book Released	Nov 21/03
1	17, 18, 19		Rearranged Item Number	Feb 06/04
2	4,5	13,14	Part Numbers Added	Nov 21/05
	13	22	1955001 Replaced by 4519715	
		35B	New Part Number Added	
		43B		
	14	64	CK1138 Replaced By 4520166	
	16,17,18		3 New Pages Added – New Door Design	
	21	11	Name Plate Added	
		22	Part #1955001 Replaced by 4519715	
		35B	Part Numbers Added	
64				
22,23		2 New Pages Added – New Prison Package Door Design		
3	10.11	36	Part Numbers Added	Dec 20/05

NOTES



Free Manuals Download Website

<http://myh66.com>

<http://usermanuals.us>

<http://www.somanuals.com>

<http://www.4manuals.cc>

<http://www.manual-lib.com>

<http://www.404manual.com>

<http://www.luxmanual.com>

<http://aubethermostatmanual.com>

Golf course search by state

<http://golfingnear.com>

Email search by domain

<http://emailbydomain.com>

Auto manuals search

<http://auto.somanuals.com>

TV manuals search

<http://tv.somanuals.com>