



# Infra-Red Salamander Broiler

Item: \_\_\_\_\_

Quantity: \_\_\_\_\_

Project: \_\_\_\_\_

Approval: \_\_\_\_\_

Date: \_\_\_\_\_

# Infra-Red Salamander Broiler

### Models:

BS-CX

BS-WX

BS-RX

BS-RX-48

BS-RX-60

BS-RX-72



Model BS-CX

### Standard Features:

- Stainless steel front, sides, and top
- Single, 30,000 atmospheric infra-red burner designed for heavy broiling
- Available in Natural or Propane gas
- 5 position, positive lock, adjustable rack height
- Large capacity removable grease pan
- Designed to be installed on a counter, wall or range mounted on Cuisine and Performer Series ranges

- Broiling grid 28" (711mm) Wide x 13 1/2" (343mm) Deep
- Heavy-duty, spring assisted carriage is angle iron construction for long life and durability
- 1/2" NPT top gas inlet
- One Year limited parts and labor warranty (USA and Canada only)

### Optional Features:

- Interconnection gas pipe for range mounting
- S/S bottom available for BS-RX Range mount models and BS-WX wall mount.

### Specification:

Unit shall be a U.S. Range Infrared Salamander Broiler, Model \_\_\_\_\_. Single 30,000 BTU atmospheric infra-red burner, with 5 position adjustable rack. Stainless steel finish on front, sides, and top, available in natural or propane gas. Unit to be range, (BS-RX), counter, (BS-CX), or wall mounted, (BS-WX).



Garland Commercial Industries, LLC  
185 East South Street  
Freeland, PA 18224  
Phone: (570) 636-1000  
Fax: (570) 636-3903

Garland Commercial Ranges Ltd  
1177 Kamato Road,  
Mississauga, Ontario  
L4W 1X4 CANADA  
Phone: 905-624-0260  
Fax: 905-624-5669

Enodis UK LTD  
Swallowfield Way,  
Hayes, Middlesex  
UB3 1DQ ENGLAND  
Telephone: 081-561-0433  
Fax: 081-848-0041

Enodis®

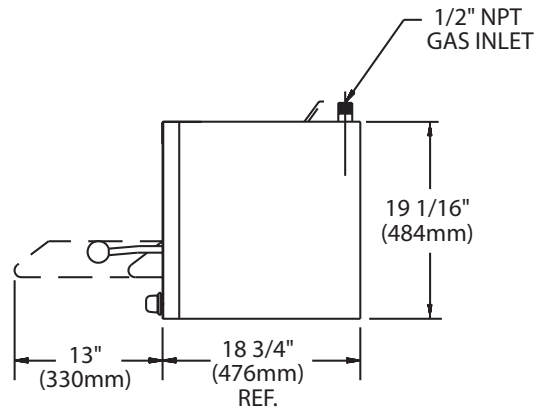
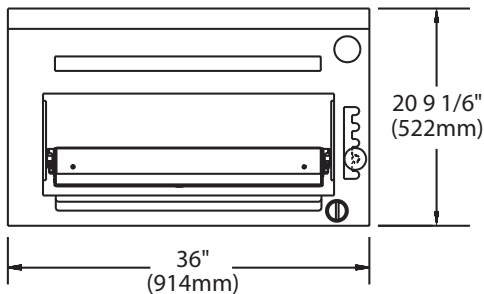
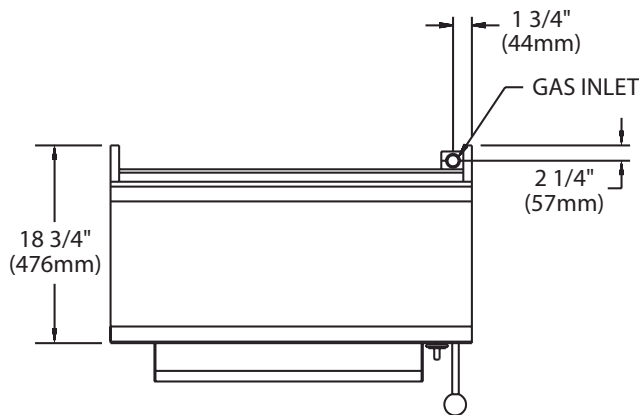
Model #	Description
BS-CX	36" wide Salamander Broiler for countertop use (with 4" (102mm) legs)
BS-WX	36" wide Salamander Broiler for wall mounting (with mounting brackets)
BS-RX	36" Salamander Broiler for range mounting (with backguard)
BS-RX-48	36" Salamander Broiler to mount on 48" range W/12" (305mm) High Shelf
BS-RX-60	36" Salamander Broiler to mount on 60" range W/24" (610mm) High Shelf
BS-RX-72	36" Salamander Broiler to mount on 72" range W/36" (914mm) High Shelf

Many local codes exist and it is the responsibility of the owner and installer to comply with those codes.

Garland/U.S. Range products are not approved or authorized for home or residential use, but are intended for commercial applications only. Garland / U.S. Range will not provide service, warranty, maintenance or support of any kind other than in commercial applications.

Model #	Weight Lbs/Kg	Cu Ft
BS-RX	205/93	28
BS-CX	210/95	20
BS-WX	192/87	20
BS-RX-48	230/105	30
BS-RX-60	260/118	40
BS-RX-72	280/127	48

Manifold Operating Pressure	
Natural Gas	5.0" WC (12.5mbar)
Propane	11.0" WC (28mbar)



Form# BSX (06/07)

Garland Commercial Industries, LLC  
185 East South Street  
Freeland, PA 18224  
Phone: (570) 636-1000  
Fax: (570) 636-3903

Garland Commercial Ranges Ltd  
1177 Kamato Road,  
Mississauga, Ontario  
L4W 1X4 CANADA  
Phone: 905-624-0260  
Fax: 905-624-5669

Enodis UK LTD  
Swallowfield Way,  
Hayes, Middlesex  
UB3 1DQ ENGLAND  
Telephone: 081-561-0433  
Fax: 081-848-0041

Enodis®

## Free Manuals Download Website

<http://myh66.com>

<http://usermanuals.us>

<http://www.somanuals.com>

<http://www.4manuals.cc>

<http://www.manual-lib.com>

<http://www.404manual.com>

<http://www.luxmanual.com>

<http://aubethermostatmanual.com>

Golf course search by state

<http://golfingnear.com>

Email search by domain

<http://emailbydomain.com>

Auto manuals search

<http://auto.somanuals.com>

TV manuals search

<http://tv.somanuals.com>