



INSTALLATION AND OPERATION MANUAL

CUISINE INFRA-RED BROILER



FOR YOUR SAFETY:
DO NOT STORE OR USE GASOLINE
OR OTHER FLAMMABLE VAPORS OR
LIQUIDS IN THE VICINITY OF
THIS OR ANY OTHER
APPLIANCE

WARNING:
IMPROPER INSTALLATION, ADJUSTMENT,
ALTERATION, SERVICE OR MAINTENANCE
CAN CAUSE PROPERTY DAMAGE, INJURY,
OR DEATH. READ THE INSTALLATION,
OPERATING AND MAINTENANCE
INSTRUCTIONS THOROUGHLY
BEFORE INSTALLING OR
SERVICING THIS EQUIPMENT

PLEASE READ ALL SECTIONS OF THIS MANUAL
AND RETAIN FOR FUTURE REFERENCE.

THIS PRODUCT HAS BEEN CERTIFIED AS
COMMERCIAL COOKING EQUIPMENT AND
MUST BE INSTALLED BY PROFESSIONAL
PERSONNEL AS SPECIFIED.

IN THE COMMONWEALTH OF MASSACHUSETTS
THIS PRODUCT MUST BE INSTALLED BY A
LICENSED PLUMBER OR GAS FITTER. APPROVAL
NUMBER: G-1-07-05-28

For Your Safety:
Post in a prominent location, instructions to be
followed in the event the user smells gas. This
information shall be obtained by consulting
your local gas supplier.

Users are cautioned that maintenance and repairs must be performed by a Garland authorized service agent using genuine Garland replacement parts. Garland will have no obligation with respect to any product that has been improperly installed, adjusted, operated or not maintained in accordance with national and local codes or installation instructions provided with the product, or any product that has its serial number defaced, obliterated or removed, or which has been modified or repaired using unauthorized parts or by unauthorized service agents. For a list of authorized service agents, please refer to the Garland web site at <http://www.garland-group.com>. The information contained herein, (including design and parts specifications), may be superseded and is subject to change without notice.

GARLAND COMMERCIAL INDUSTRIES
185 East South Street
Freeland, Pennsylvania 18224
Phone: (570) 636-1000
Fax: (570) 636-3903

GARLAND COMMERCIAL RANGES, LTD.
1177 Kamato Road, Mississauga, Ontario L4W 1X4
CANADA
Phone: 905-624-0260
Fax: 905-624-5669

Enodis UK LTD.
Swallowfield Way, Hayes, Middlesex UB3 1DQ ENGLAND
Telephone: 081-561-0433
Fax: 081-848-0041

Part # 4517385 (02/20/08)

© 2006 Garland Commercial Industries, Inc.

IMPORTANT INFORMATION

WARNING:

This product contains chemicals known to the state of California to cause cancer and/or birth defects or other reproductive harm. Installation and servicing of this product could expose you to airborne particles of glass wool/ceramic fibers. Inhalation of airborne particles of glass wool/ceramic fibers is known to the state of California to cause cancer. Operation of this product could expose you to carbon monoxide if not adjusted properly. Inhalation of carbon monoxide is known to the state of California to cause birth defects or other reproductive harm.

Keep appliance area free and clear of combustibles.

TABLE OF CONTENTS

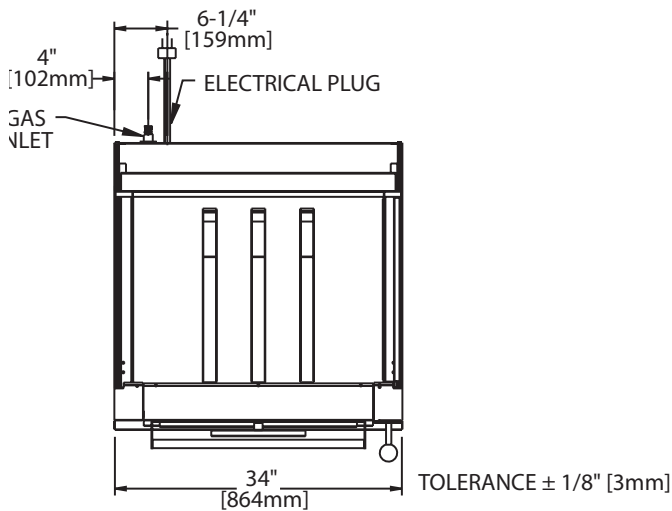
IMPORTANT INFORMATION	2
TECHNICAL SPECIFICATIONS	4
INTRODUCTION	5
General Information	5
Statutory Regulations	5
INSTALLATION	5
Siting.....	5
Clearances.....	5
Installation Notes	5
Appliances Equipped With Casters.....	6
Appliances Equipped With Legs	6
Ventilation Air	6
Gas Connection.....	6
Electrical Connection	7
Testing & Adjustment	7
OPERATION	7
Infra-Red Burners	7
Initial Operation: Infra-Red Burners	7
Operation: Infra-Red Burners	7
PRODUCT APPLICATION INFORMATION	8
Broiler.....	8
Shut-Down	8
CARE & CLEANING	9
Stainless Steel	9
Broiler Section.....	9
Instructions For Removal Of Grid Rack & Grid Rack Frame.....	10

TECHNICAL SPECIFICATIONS

INDIVIDUAL BURNER INPUT RATINGS				
Burner	Natural Gas		Propane	
	Input BTU/HR Per Section	Orifice Size DMS	Input BTU/HR Per Section	Orifice Size DMS
Infra-Red	70,000	# 50	70,000	# 56

MINIMUM SUPPLY PRESSURE		MANIFOLD PRESSURE		ELECTRICAL SUPPLY*
Natural Gas	Propane	Natural Gas	Propane	
7" WC	11" WC	6" WC	10" WC	120V 60Hz, 1Amp

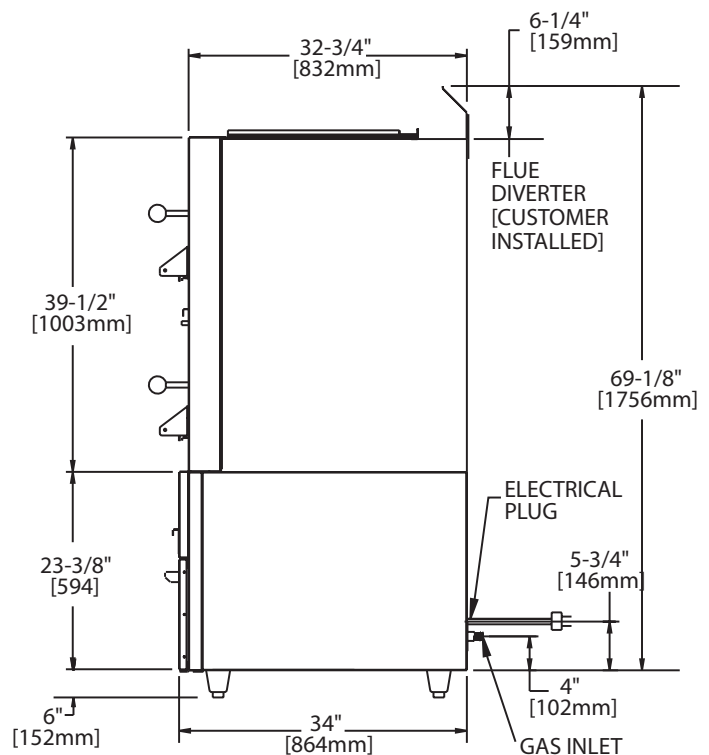
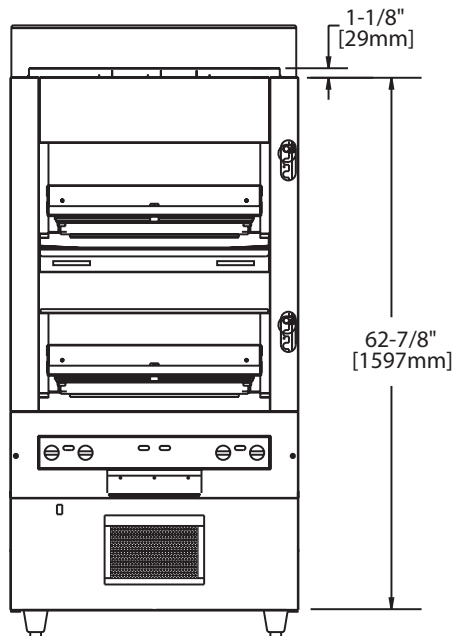
*Note: Electrical diagram is on the rear of the appliance next to the supply wire.



MODEL DESIGNATIONS

Model Number	Broiler Burner
C2100MX	Infra-Red

CLEARANCES		
Location	Combustible Construction	Noncombustible Construction
Rear	6" (152mm)	0"
Left Side	6" (152mm)	0"
Right Side	6" (152mm)	0"



INTRODUCTION

General Information

1. Check crate for possible damage sustained during transit. Carefully remove unit from crate and again check for damage. Any damage to the appliance must be reported to the carrier immediately.
2. The wires for retaining the burners and other packing material must be removed from units. Any protective material covering stainless steel parts must also be removed.
3. All equipment is shipped from the factory with legs fitted, unless otherwise specified. Where the range is to be mounted on a dais or cove base, it is shipped without legs. Legs must be fitted to the oven where it is installed on a combustible floor.
4. The type of gas and supply pressure that the equipment was set-up for at the factory is noted on the data plate and on the packaging. This type of gas supply must be used.

5. Do not remove permanently affixed labels, warnings or data plates from the appliance, for this may invalidate the manufacturer's warranty.

Statutory Regulations

The installation of this appliance must be carried out by a competent person and in accordance with the relevant regulations, codes of practice and the related publications of the country and destination.

The installation must conform to the National Fuel Gas Code ANSI Z223.1-1998 or latest edition, NFPA No. 54 – latest edition and National Electrical Code ANSI/NFPA 70-1990 or latest edition and/or local code to assure safe and efficient operation. In Canada, the installation must comply with CSA B149.1 and local codes where applicable.

In Canada, electrical connections must comply with applicable sections of the Canadian Electrical Code, C22.1 - 1990, latest edition, "Safety Standard for Installation, Part 1" and C22.2- No. O-M 1982 latest edition, "General Requirements, Part 2".

INSTALLATION

This appliance is not recommended for residential installation.

Siting

The floor on which the appliance is to be sited must be capable of adequately supporting the weight of the appliance and any ancillary equipment.

Units with ovens must be fitted with legs if installed on a combustible floor.

Clearances

Adequate clearance must be provided for servicing and proper operation.

Location	Combustible Construction	Noncombustible Construction
Rear	6" (152mm)	0"
Left Side	6" (152mm)	0"
Right Side	6" (152mm)	0"

Installation Notes

Before assembly and connection check gas supply.

- A. The type of gas for which the unit is equipped is stamped on the data plate located behind the lower front panel. Connect a unit stamped "NAT" only to natural gas; connect one stamped "PRO" only to propane gas.

INSTALLATION continued

- B. If it is a new installation have the gas authorities check the meter size and piping to assure that the unit is supplied with the necessary amount of gas pressure required for operation.
- C. If it is additional or replacement equipment have the gas authorities check the pressure to make certain that existing meter and piping will supply fuel to the unit with not more than 1/2" water column pressure drop.

NOTE: When checking gas pressure, be sure that all other equipment on the same gas line is on.

The appliance and its individual shut-off valve must be disconnected from the gas supply piping system during any pressure testing of that system with pressures in excess of 1/2 PSIG (3.45kPa).

Appliances Equipped With Casters

1. The installation shall be made with a connector that complies with the Standard for Connectors for Moveable Gas Appliances, ANSI Z21.69/CSA 6.16, Addenda Z21.69B-2006/CSA 6.16B-2006 (or latest edition), and a quick-disconnect device that complies with the Standard for Quick Disconnects for Use with Gas Fuel, ANSI Z21.41/CSA 6.9, Addenda Z21.41A-2005/CSA 6.16A-2005 (or latest edition).
2. The front casters on the appliance are equipped with brakes to limit the movement of the appliance without placing any strain on the connector or quick-disconnect device or its associated piping.
3. Please be aware that the required restraint is attached to a bracket (which is located on the rear caster closest to the gas connection) and if disconnection of the restraint is necessary, be sure to reconnect the device after the appliance has been returned to its original position.

Appliances Equipped With Legs

1. Raise the front of the appliance on a block. Do not lay the appliance on its back.
2. Position leg insert in leg retainer opening and tap upward until the insert seats at the collar flange.
3. Repeat leg insert installation for the other legs and adjust all four legs to the same height.
4. Legs can be further adjusted to level the appliance and to compensate for uneven flooring.

Ventilation Air

The following notes are intended to give general guidance. For detailed recommendations, refer to the applicable code(s) in the country of destination.

Proper ventilation is highly essential for optimum performance. The ideal method of ventilating open-top equipment is the use of a properly designed canopy which should extend six inches (152mm), beyond all sides of the appliance(s) and six feet, six inches (1981mm) above the floor.

A strong exhaust will create a vacuum in the room. For an exhaust vent to work properly, replacement air must enter the room. The amount of air that enters must be equal to the amount exhausted.

All gas burners and pilots need sufficient air to operate. Large objects should not be placed in front of the appliance(s) that would obstruct the flow of air into the front.

Gas Connection

The local gas authority should be consulted at the installation planning stage in order to establish the availability of an adequate supply of gas and to ensure that the meter is adequate for the required flow rate. The pipe work from the meter to the appliances must be of an appropriate size.

All fixed (non-mobile) appliances MUST be fitted with a manual gas-cock upstream of the appliance to provide a means of isolation for servicing or cleaning purposes. A union or similar means of disconnection must be provided between the gas-cock and the appliance.

A manually operable valve must be fitted to the gas supply to the kitchen to enable it to be isolated in an emergency. Wherever practical, this shall be located either outside the kitchen or near to an exit in a readily accessible position.

Where it is not practical to do this, an automatic isolation valve system shall be fitted which can be operated from a readily accessible position near to the exit.

At locations where the manual isolation valve is fitted or the automatic system can be reset, a notice MUST be fitted stating:

"ALL DOWNSTREAM BURNER AND PILOT VALVES MUST BE TURNED OFF PRIOR TO ATTEMPTING TO RESTORE THE SUPPLY. AFTER EXTENDED SHUT OFF, PURGE BEFORE RESTORING GAS SUPPLY!"

INSTALLATION continued

Electrical Connection

IMPORTANT – This appliance must be electrically grounded in accordance with local codes.

Testing & Adjustment

All fittings and pipe connections must be tested for leaks. Use approved gas leak detectors, soap solution or equivalent, checking over and around all the fittings and pipe connections. DO NOT USE A FLAME! Accessibility to all gas lines and fittings require that valve panel(s), lower front panel(s), and/or oven rack(s) be removed. All parts removed, (including fasteners), should be stored safely for re-installation.

1. Be sure that all valves are in the "OFF" position.
2. Turn on the main gas supply valve. Light all broiler pilots.

3. Leak test all valves and fittings as described at the beginning of this section. Correct any leaks as required and recheck.
4. Light the oven pilot.

All units are tested and adjusted at the factory, however, burners and pilots should be checked upon installation and adjusted if necessary.

CAUTION: Gas will flow to the top section burners even if the broiler section pilots are not lit. Gas will not be interrupted. It is the responsibility of the operator to confirm the proper ignition of each burner as it is turned on. Should ignition fail to occur 5 seconds after turning a burner on, turn the burner off, wait 5 minutes, and try again.

OPERATION

Infra-Red Burners

The GARLAND® Infra-Red Broiler is a direct radiant heavy duty gas broiler utilizing four (4) extremely efficient gas burners in each broiling section. The infra-red burners provide for high speed broiling with rapid searing of product so that natural juices and flavor will be sealed in.

These special burners operate in a manner similar to that of a conventional gas burner except that the radiation surfaces consist of a series of ceramic blocks each containing numerous small gas ports. These ceramic blocks are connected utilizing a special compound that also seals all seams of the radiating surface. The gas flame appears as a red glow covering the entire ceramic surface.

A special wire mesh has been provided as an outside surface beneath the ceramics to further increase the burner efficiency. This mesh will provide for additional infra-red energy.

Initial Operation: Infra-Red Burners

1. Connect electrical supply.
2. Open gas service valve located in your supply line.
3. With a lighted taper, light the broiler pilots located at the front of the unit. There is one pilot per pair of burners.
4. Pilot adjustment valves can be found on the manifold, behind the control panel. The valves may be accessed through holes in the control panel.
5. The pilots should be adjusted so that flame extends 1/2" to 3/4" (12mm to 25mm) beyond the pilot shield.

Operation: Infra-Red Burners

1. Switch on (1) the main power switch.
2. Turn the broiler valve to HIGH.

OPERATION continued

3. Immediately check ignition of the burners.
4. When ignition has been accomplished a blue flame will cover the surface of the ceramics for 10-15 seconds.
5. The haze will disappear and the ceramics will glow red.

CAUTION: Should burner ignition fail within 5 seconds, turn the burner valve off and repeat steps 1 through 5. If ignition continues to fail, consult your factory authorized service agency.

Shut-Down

1. Turn all valves to the "OFF" position.
2. Switch off (0) the main power switch.
3. If the unit is to be shut down for an extended period of time, close the in-line gas valve.

PRODUCT APPLICATION INFORMATION

Broiler

The following information is intended for use as a guide. There are many variables that will effect the operation. As an example, the temperature of the product when it is placed on the rack for broiling will effect both the broiling time and the quality of the finished product.

The broiler rack can be easily raised or lowered to provide for the desired distance of the product from the heat source and is readily pulled out for ease of loading and unloading.

It is suggested that all products be dipped in salt-free oil before broiling to facilitate browning and to aid in preventing the product from sticking to the broiler rack.

It must again be stressed that the times in the following table are intended as a general guide only. The technique of the operator and experience with infra-red broiling will effect time, burner setting and rack position.

PRODUCT APPLICATION INFORMATION continued

SUGGESTED BROILING TIME (EACH SIDE) IN MINUTES				
Type of Product	Thickness In/ (mm)	Rare Minutes	Medium Minutes	Well Done Minutes
Beef				
Filet Mignon, Porterhouse	1/(25)	2-1/2	4	5-1/2
T-Bone, Club, Rib	1-1/2/(38)	2-1/2	4	5-1/2
Sirloin	2 (51)	3-1/2	5-1/2	6-1/2
Strip Sirloine	3/4 (19)	2-1/2	3-1/2	5
Ground Steak	1/2 (13)	1-1/2	2	2-1/2
Lamb				
Loin, Rib Chops	1/(25)	3/1/2	4-1/2	—
Double Rib	2/(51)	4	6	—
Fish (Low burner setting, low rack position)				
*Fish	—	—	—	5
Fish Steak	1/2/(13)	—	—	4
Fish Steak	1/(25)	—	—	4-1/2

* It is recommended that thin filet-flounder, sole, fluke, etc., - be folded over before cooking to increase its thickness.

CARE & CLEANING

Disconnect the power supply to the appliance before cleaning or servicing.

Stainless Steel

For routine cleaning just wash with hot water and detergent solution. Wash just a small area at a time or the water will evaporate leaving the chemicals behind causing streaking.

Rinse the washed area with a clean sponge dipped in a sanitizing solution and wipe dry with soft clean cloth before it can dry.

Use a paste (of water and a mild scouring powder) if you have to, but never rub against the grain. All stainless steel has been polished in one direction. Rub with the polish lines to preserve the original finish. Then thoroughly rinse as before.

To prevent fingerprints there are several stainless steel polishes on the market the leave and oily waxy film. Do not use on surfaces that will be in contact with food.

Stainless steel may discolor if overheated. These stains can usually be removed by vigorous rubbing with a scouring powder paste.

Use only stainless steel, wood or plastic tools if necessary to scrape off heavy deposits of grease and oil. Do not use ordinary steel scrapers or knives, as particles of the iron may become imbedded and rust. STEEL WOOL SHOULD NEVER BE USED.

Broiler Section

The M110XM filter should be removed and cleaned every one to two days, depending on usage. The filter can be cleaned by hand with dish detergent or run through the dishwasher.

Remove, empty and wash the broiler grease drawer or container at least once a day.

CARE & CLEANING continued

On a single broiler unit the grease drawer is located inside the valve panel. On a double broiler the grease from the upper broiler section drains into a container suspended from the front of the unit. The grease from the lower broiler section drains through the hopper into a grease drawer located inside the valve panel.

Remove and clean the grid rack inserts and grease drip chute daily. Pull the grid rack forward and lift the grease rack insert out of the frame. Remove the grease drip chute by pulling it forward out of the rack frame guides.

Instructions For Removal Of Grid Rack & Grid Rack Frame

Remove the broiler grid racks as follows:

1. Bring the grid rack down to the lowest adjustment position.
2. Pull the entire grid rack out of the broiler as far as possible.
3. Remove grid rack grease drip chute (located below wire rack) by grasping hold of the chute and pulling forward out of the frame guides.
4. Remove wire racks by lifting the front of each wire rack over the rack front plate.
5. Pull the empty grid rack frame assembly as far forward as possible (until the stops hit the front of the carriage assembly), lift up on the handle and pull the rack frame forward so the stops clear the carriage assembly. Continue pulling the rack frame forward until the rear bearings reach the notches in the carriage tracks and lift the rear of the rack up and out of the carriage; the entire frame is now free from the unit.
6. Place the rack raising lever in the highest position for safety purposes.

Before cleaning the hopper, replace the grease drawer to receive any drippings and solid particles freed by the cleaning. The additional internal grease diverter should be removed from the top section and cleaned at this time. The diverter is removed by raising the rack assembly and lifting up the front of the diverter. After disengaging the screws at the front of the unit, pull the diverter forward and remove from the unit.

Carriage mechanisms should be kept clean, particularly around the roller bearings. If the roller bearings have been washed clean or appear to be dry, they should be lubricated using salt-free vegetable oil or a non-toxic high temperature bearing lubricant.

Infra-Red Burners must be cleaned periodically by a service professional.

 ***U.S. Range***[®]

U.S. Range  TM

Avant de nettoyer la tremie, remettre en place le tiroir à graisse afin d'y recueillir toutes des particules ou gouttes consécutives au nettoyage. Un déflecteur à graisse interne supplémentaire doit être retiré de la section supérieure et être nettoyé à ce moment. Le déflecteur est retiré en soulevant l'ensemble de crémaillère et en soulevant la partie avant du déflecteur. Après avoir dégaî les vis à l'avant de l'appareil, tirer le déflecteur vers l'avant et le retirer de l'appareil.

Les mécanismes du chariot doivent être maintenus propres, surtout autour des roulements à rouleaux. Si les roulements à rouleaux ont été lavés ou semblent être secs, ils doivent être lubrifiés avec de l'huile végétale sans sel ou un lubrifiant pour roulements non toxique et résistant aux températures élevées.

Les brûleurs à infrarouge doivent être nettoyés périodiquement par un professionnel de service.

Debrancher l'alimentation électrique de l'appareil avant tout nettoyage ou réparation.

Acier Inoxydable

Pour le nettoyage de routine, laver simplement avec une solution d'eau et de détergent. Laver une petite surface à la fois, sinon l'eau s'évaporerait et laissera sur la surface des traces de détergent.

Rincer la surface lavée avec une éponge trempée dans une solution désinfectante et sécher avec un torchon doux avant que la zone nettoyée ne sèche.

Utiliser une pâte (mélange d'eau et de poudre à récurer

douce) si nécessaire, mais en prenant soin de ne jamais

travailler à contre sens. Toutes les surfaces en acier

inoxydable sont polies dans un sens. Frotter en respectant

ce sens pour préserver l'apparence d'origine. Rincer ensuite

comme indiqué précédemment.

Pour supprimer les empreintes digitales sur les surfaces

extérieures, il existe de nombreux produits disponibles

dans le commerce qui laissent un film huileux ou ciré sur

la surface. Ne pas utiliser de tels produits sur les surfaces

puvant être en contact avec les aliments.

L'acier inoxydable peut se décolorer s'il est trop chauffé. Ces

taches peuvent être éliminées en frottant vigoureusement

avec de la crème à base de poudre à récurer.

Section Rôtissoire

Le filtre de l'appareil M1 10XM doit être retiré et nettoyé tous les jours ou tous les deux jours, en fonction de l'utilisation. Le filtre peut être nettoyé à la main avec du produit de lavage à vaisselle ou bien lavé dans le lave-vaisselle.

Rétirer, vider et laver le tiroir ou contenant à graisse de la

rôtissoire une fois par jour au moins.

Pour un appareil à rôtissoire simple, le tiroir à graisse se trouve à l'intérieur du panneau des robinets. Sur les appareils à deux rôtissoires, la graisse de la section haute se vide dans un contenant suspendu à l'avant de l'appareil. La graisse de la section basse se vide par la trémie dans le tiroir à graisse se trouvant à l'intérieur du panneau des robinets.

Rétirer et nettoyer les inserts de crémaillère de grille et la trémie à graisse tous les jours. Tirer la crémaillère de grille vers l'avant et soulever l'insert hors du cadre. Retirer la trémie à graisse en la tirant vers l'avant pour la libérer des guides du cadre de crémaillère.

Instructions De Démontage De La Crémaillère Et Du Cadre De Crémaillère De Grille

Retirer les crémaillères de grille de la rôtissoire comme suit :

1. Mettre la crémaillère de grille à la position la plus basse possible de réglage.
2. Tirer l'ensemble de crémaillère de grille hors de la rôtissoire aussi loin que possible.
3. Retirer la trémie à graisse de la crémaillère de grille (se trouvant sous la grille) en saisissant la trémie et en la tirant vers l'avant hors des guides du cadre.
4. Retirer les crémaillères de grilles en soulevant l'avant de la chaque grille par-dessus la plaque avant de la crémaillère.
5. Tirer l'ensemble du cadre vide aussi loin que possible (jusqu'à ce que les butées touchent l'avant de l'ensemble du chariot), soulever la poignée et tirer le cadre de crémaillère vers l'avant de manière à ce que les butées puissent se dégager de l'ensemble du chariot. Continuer de tirer le cadre vers l'avant jusqu'à ce que les roulements arrière atteignent les encoches des rails du chariot et soulever l'arrière de la crémaillère et le sortir du chariot. Tout le cadre est maintenant séparé de l'appareil.
6. Placer le levier de levage de crémaillère dans la position la plus haute pour des raisons de sécurité.

INFORMATION SUR LES APPLICATIONS DU PRODUIT

Rôtissoire

Les informations suivantes sont fournies afin de servir de guide d'utilisation. De nombreux facteurs peuvent affecter le fonctionnement. Par exemple, la température du produit au moment de son introduction dans l'appareil pour le rôtissage peut affecter le temps de cuisson et la qualité du produit fini. La grille de la rôtissoire peut être facilement placée plus bas ou plus haut afin de créer la distance désirée entre le produit et la source de chaleur, et on peut la tirer sans difficulté pour faciliter le chargement et le déchargement du four.

Il est conseillé de tremper tous les aliments dans de l'huile non salée avant de les passer au grill afin de faciliter le brunissage et d'empêcher les produits de coller à la grille. Nous insistons à nouveau sur le fait que les temps indiqués dans les tableaux suivants sont donnés à titre indicatif seulement. La technique de l'utilisateur et son expérience en matière de grill à infrarouges auront un effet sur le temps, le réglage des brûleurs et la position de la grille.

TEMPS DE CUISSON SUGGÉRÉS (DE CHAQUE CÔTÉ) EN MINUTES				
Type De Produit	Épaisseur po(mm)	Saignant Minutes	À point Minutes	Bien Cuit Minutes
Bœuf				
Filet Mignon, Steak D'aloyau	1/(25)	2-1/2	4	5-1/2
Bifteck De Côte, Côte De Bœuf	1-1/2/(38)	2-1/2	4	5-1/2
Surlonge	2 (51)	3-1/2	5-1/2	6-1/2
Entrecôte	3/4 (19)	2-1/2	3-1/2	5
Bifteck Haché	1/2 (13)	1-1/2	2	2-1/2
Agneau				
Carre, Côtes	1/(25)	3/1/2	4-1/2	—
Côtelette Double	2/(51)	4	6	—
Poisson (Réglage bas du brûleur- position basse de la grille)				
*Poisson	—	—	—	5
Darne De Poisson	1/2/(13)	—	—	4
Darne De Poisson	1/(25)	—	—	4-1/2

* Il est recommandé de replier les filets minces de limande, sole, plie, etc. avant la cuisson pour en augmenter l'épaisseur.

FONCTIONNEMENT

Brûleurs À Infrarouge

La rotissoire à infrarouge GARLAND est une rotissoire à gaz à chateur radiante destinée à l'usage intensif grâce à ses quatre (4) brûleurs à gaz à haut rendement pour chaque section de la rotissoire. Les brûleurs à infrarouge assurent un rôtissage à haute vitesse et saisissent rapidement les produits de manière à ce que les sucs et les saveurs demeurent à l'intérieur.

Ces brûleurs spéciaux fonctionnent de façon similaire à celle d'un brûleur à gaz conventionnel à cette différence près que les surfaces radiantes sont constituées d'un nombre de séries des blocs de céramique comportant chacun un nombre important d'orifices pour le gaz. Ces blocs de céramique sont fixés à l'aide d'un scellant spécial qui scelle également tous les joints de la surface radiante. La flamme du gaz apparaît comme un halo rouge couvrant toute la surface de la céramique.

Un treillis métallique spécial sert de surface extérieure sous la céramique afin d'augmenter encore le rendement du brûleur. Ce treillis augmente encore l'énergie infrarouge.

Utilisation Initiale : Brûleurs À Infrarouge

1. Brancher l'alimentation électrique.
2. Ouvrir le robinet de gaz sur la canalisation d'alimentation.
3. À l'aide d'une mèche enflammée, allumer les veilleuses de la rotissoire se trouvant à l'avant de l'appareil. Il y a une veilleuse par paire de brûleurs.
4. Les robinets de réglage de veilleuses se trouvent sur le collecteur, derrière le panneau de commande. Il est possible d'y accéder par les orifices du panneau de commande.
5. Les veilleuses doivent être réglées de manière à ce que la flamme dépasse de 1/2 po à 3/4 po (12 mm à 25 mm) le bouclier des veilleuses.

Utilisation : Brûleurs À Infrarouge

1. Mettre sur ON (1) l'interrupteur principal d'alimentation.
2. Tourner le robinet de la rotissoire sur la position HIGH.
3. Vérifier immédiatement l'allumage des brûleurs.
4. Une fois l'allumage établi, une flamme bleue couvre la surface de la céramique pendant 10-15 secondes.
5. Le halo disparaît et la céramique devient rouge.

AVERTISSEMENT : Si l'allumage du brûleur ne se produit pas dans les 5 secondes, tourner le robinet du brûleur sur OFF et répéter les étapes 1 à 5. Si l'allumage ne se produit pas, contacter le centre de services agréé de l'usine.

Arrêt

1. Tourner tous les robinets en position « OFF ».
2. Couper l'alimentation électrique à l'interrupteur principal (0).
3. Si l'appareil doit être éteint pour une période prolongée, fermer le robinet de la canalisation de gaz.

Tous les appareils fixes (non mobiles) DOIVENT être équipés d'un robinet de gaz manuel en amont de l'appareil pour pouvoir isoler l'appareil lors de toute intervention d'entretien ou de nettoyage. Un raccord union ou tout autre moyen de déconnexion doit être installé entre le robinet de gaz et l'appareil.

Un robinet à commande manuelle doit être installé sur l'arrivée de gaz dans la cuisine pour permettre d'isoler la cuisine en cas d'urgence. Chaque fois que cela est possible, ce robinet sera installé soit à l'extérieur de la cuisine ou près d'une sortie dans un endroit facile d'accès.

Lorsque cela est impossible, un système automatique de robinet d'isolement doit être installé à un endroit facile d'accès près de la sortie.

L'avertissement suivant DOT être affiché à l'endroit d'installation du robinet d'isolement ou du système automatique :

« TOUTS LES ROBINETS DE BRÛLEURS ET DE VEILLEUSES EN AMONT DOIVENT ÊTRE MIS EN POSITION D'ARRÊT AVANT D'OUVRIRE L'ALIMENTATION. APRÈS UN PÉRIODE D'ARRÊT PROLONGÉE, PURGER AVANT DE REBRANCHER LE GAZ ».

Connexion Électrique

IMPORTANT – Cet appareil doit être relié à la terre conformément aux codes locaux.

ATTENTION : Le gaz alimentera les brûleurs de la section supérieure même si les veilleuses de cette section ne sont pas allumées. L'alimentation en gaz ne sera pas coupée. Il est de la responsabilité de l'utilisateur de vérifier l'allumage de tous les brûleurs dont le robinet est ouvert. Dans le cas où l'allumage ne se ferait dans un délai de 5 secondes après l'ouverture du robinet, fermer le robinet du brûleur, attendre 5 minutes et essayer de nouveau.

Tous les appareils sont testés et réglés en usine. Cependant, les brûleurs et les veilleuses doivent être vérifiés au moment de l'installation et réglés si nécessaire.

4. Allumer la veilleuse du four.

3. Vérifier la présence de fuites aux robinets et raccords, comme décrit dans la procédure ci-dessus. Réparer les fuites si nécessaire et vérifier de nouveau.

2. Ouvrir le robinet principal d'alimentation en gaz. Allumer toutes les veilleuses de la section haute.

1. Vérifier que tous les robinets et thermostats sont en position « OFF ».

Tous les raccords et connexions de tuyaux doivent être testés pour détecter les fuites éventuelles. Utiliser des produits équivalents, appliqués sur et autour des raccords et connexions de tuyaux. NE PAS UTILISER DE FLAMME ! Pour accéder à toutes les canalisations de gaz et aux raccords il est nécessaire de retirer le(s) panneau(x) des robinets, le(s) panneau(x) inférieur(s) avant et les grilles du four. Il peut être nécessaire de retirer ou au moins de soulever et de supporter correctement les grilles, les plaques de cuisson et grilles supérieures. Toutes les pièces retirées (y compris les moyens de fixation) doivent être soigneusement rangées pour les réutiliser ensuite.

Essais Et Réglages

Appareils Équipés De Pieds

1. Soulever l'avant de l'appareil et le bloquer. Ne pas coucher l'appareil sur le dos.
2. Positionner l'insert de pied dans l'ouverture du dispositif de retenue du pied et taper jusqu'à ce qu'il soit en place dans la bride à coller.
3. Répéter l'installation des inserts de pied pour les autres pieds et régler les quatre pieds à la même hauteur.
4. Les pieds peuvent être encore réglés pour mettre l'appareil de niveau et compenser un sol inégal.

Air De Ventilation

Les remarques suivantes constituent des indications générales. Pour des recommandations plus détaillées, consulter le(s) code(s) applicable(s) dans le pays de destination.

Une ventilation correcte est essentielle pour un fonctionnement optimal. La méthode idéale pour ventiler un équipement à flammes nues est d'utiliser une hotte correctement conçue qui devra se prolonger de six pouces (152 mm), au-delà des cotés des appareils et se trouver à six pieds six pouces (1981 mm) au-dessus du sol.

Une forte ventilation d'aspiration créera un vide dans la pièce. Pour qu'une ventilation d'aspiration fonctionne correctement, il est nécessaire que de l'air de remplacement pénètre dans la pièce. La quantité d'air entrant dans la pièce doit être égale à la quantité d'air évacué.

Tous les brûleurs à gaz et les veilleuses ont besoin de suffisamment d'air pour fonctionner et on ne devra pas placer d'objets encombrants devant l'appareil, afin de ne pas empêcher la circulation d'air à l'avant.

Connexion Du Gaz

Consulter la compagnie locale de gaz au moment de la planification de l'installation de façon à établir la disponibilité d'une alimentation en gaz suffisante et de s'assurer que le compteur correspond au débit nécessaire. La canalisation entre le compteur et les appareils doit être de diamètre approprié.

- A. Le type de gaz pour lequel l'appareil est équipé est estampillé sur la plaque signalétique se trouvant derrière le panneau avant inférieur. Les appareils estampillés « NAT » doit uniquement être connectés au gaz naturel, ceux estampillés « PRO » doivent l'être uniquement au propane.
 - B. S'il s'agit d'une nouvelle installation, demander à la compagnie de gaz locale de vérifier la taille du compteur et de la canalisation pour s'assurer que l'appareil peut être alimenté avec la pression de gaz nécessaire à son fonctionnement.
 - C. S'il s'agit d'un équipement de remplacement ou additionnel, demander à la compagnie locale de gaz de vérifier la pression afin de s'assurer que le compteur et la canalisation existants alimenteront l'appareil avec une chute éventuelle de pression ne dépassant pas 1/2 po de colonne d'eau.
- REMARQUE : Lors de la vérification de la pression du gaz, s'assurer que tous les appareils installés sur la même canalisation sont allumés.
- L'appareil et son robinet individuel d'arrêt doivent être déconnectés de la canalisation d'alimentation en gaz pendant toutes les manœuvres d'essai de pression de ce système si la pression est supérieure à 1/2 PSIG (3,45 kPa).
1. L'installation sera faite avec un raccord conforme à la norme Connectors for Movable Gas Appliances, ANSI Z21.69/CSA 6.16, Addenda Z21.69B-2006/CSA 6.16B-2006 (ou la dernière édition) et un raccord rapide conforme à la norme Standard for Quick-Disconnect Devices for use with gas fuel, ANSI Z21.41/CSA 6.9, Addenda Z21.41A-2005/CSA 6.16A-2005 (ou la dernière édition).
 2. Les roulettes avant de l'appareil seront équipées de freins pour limiter le déplacement de l'appareil sans exercer aucun effort sur le connecteur ou le dispositif de débranchement rapide ou les conduits connexes.
 3. Attention : Un dispositif de retenue obligatoire est fixé à un support (situé sur la roulette arrière droite, en regardant la cuisinière depuis l'arrière) et si le débranchement de ce dispositif est nécessaire, ne pas oublier de rebrancher l'appareil après que celui-ci ait été remis dans sa position d'origine.

Informations Générales

1. Vérifier la caisse pour déceler les dommages éventuels survenus durant le transport. Retirer avec précaution l'appareil de la caisse et vérifier de nouveau la présence de dommages. Tout dommage doit être signalé immédiatement au transporteur.

2. Les fils de fer retenant les brûleurs et autres matériaux d'emballage doivent être retirés des appareils. Tout le matériel de protection couvrant les pièces en acier inoxydable doit également être retiré.
3. Tout l'équipement est expédié de l'usine avec les pieds en place, sauf indication contraire. Dans les cas où la cuisinière doit être montée sur une base avec plinthe, elle est expédiée sans pieds. Des pieds doivent être installés sur le four quand celui-ci est monté sur un sol combustible.

4. Le type de gaz et la pression d'alimentation pour lesquels l'équipement a été réglé en usine sont indiqués sur la plaque signalétique et sur l'emballage. Ce type d'alimentation en gaz doit être utilisé.

INSTALLATION

Cet appareil n'est pas recommandé pour une installation résidentielle.

Emplacement

Le plancher d'installation de l'appareil doit pouvoir supporter convenablement le poids de l'appareil et de tout autre équipement auxiliaire.

Les appareils munis d'un four doivent être équipés de pieds s'ils sont installés sur un plancher combustible.

Réglementation Légale

5. Ne pas retirer les étiquettes, avertissements ou plaques signalétiques appliqués à demeure sur l'équipement, car cela peut annuler la garantie du fabricant.
- L'installation de cet appareil doit être effectuée par une personne compétente et conformément aux règlements, codes d'usage et publications connexes en vigueur dans le pays de destination.
- L'installation doit être conforme au National Fuel Code ANSI Z 223.1-1998 ou à la dernière édition, NFPA No 54 - dernière édition et National Electrical Code ANSI/NFPA 70-1990 ou la dernière édition et/ou au code local pour assurer une fonctionnement sécuritaire et efficace. Au Canada, l'installation doit être conforme au CSA-149.1 et aux codes locaux le cas échéant.
- Au Canada, la connexion électrique doit être conforme aux sections applicables du Code canadien de l'électricité, C22.1-1990 (ou la dernière édition) « Normes de sécurité pour l'installation, partie 1 » et la norme C22.2-No.0-M 1982 (ou la dernière édition), « Exigences générales, partie 2 ».

Dégagement

Prévoir un dégagement suffisant pour les réparations et un fonctionnement correct.

Endroit	Construction Combustible	Construction Non Combustible
Arrière	6 Po (152mm)	0 Po
Côte Gouche	6 Po (152mm)	0 Po
Côte Droit	6 Po (152mm)	0 Po

Remarques Sur L'installation

Avant de procéder au montage et à la connexion, vérifier l'alimentation en gaz.

SPÉCIFICATIONS TECHNIQUES

DÉBITS CALORIFIQUES DES BRÛLEURS INDIVIDUELS				
Brûleur	Gaz Naturel		Propane	
	Débit Btu/h Par Section	Orifice Taille DMS	Débit Btu/h Par Section	Orifice Taille DMS
Infrarouge	70,000	# 50	70,000	# 56

ALIMENTATION * ÉLECTRIQUE	PRESSION MINIMALE D'ALIMENTATION EN GAZ		PRESSION DU COLLECTEUR	
	Gaz Naturel	Propane	Gaz Naturel	Propane
	7 Po WC	11 Po C.E.	6 Po C.E.	10 Po C.E.
	120V 60Hz, 1A			

*Note : Le schéma est situé à l'arrière de l'appareil à côté du câble électrique et se trouve également dans ce manuel.

DÉSIGNATIONS DES MODÈLES

Numéro De Modèle Brûleur De Rôtissoire C2100MX Infrarouge

DÉGAGEMENT		
Endroit	Construction	Combustible
Arrière	6 Po (152mm)	0 Po
Côté Gauche	6 Po (152mm)	0 Po
Côté Droit	6 Po (152mm)	0 Po

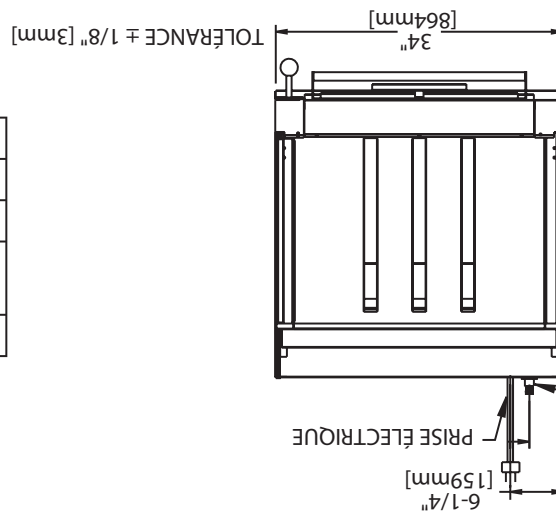
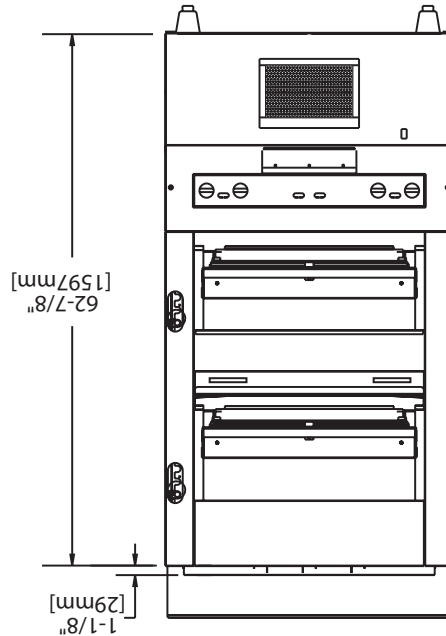
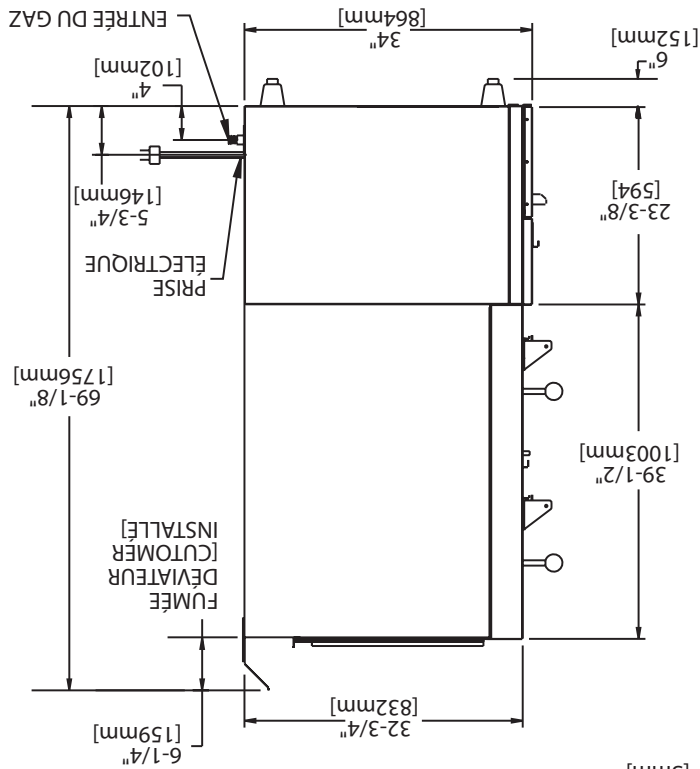


TABLE DES MATIÈRES

2	INFORMATIONS IMPORTANTES
4	SPÉCIFICATIONS TECHNIQUES
5	INTRODUCTION
5	Informations Générales
5	Réglementation Légale
5	INSTALLATION
5	Emplacement
5	Dégagement
5	Remarques Sur L'installation
6	Appareils Equipés De Roulettes
6	Appareils Equipés De Pieds
6	Air De Ventilation
6	Connexion Du Gaz
7	Connexion Electrique
7	Essais Et Réglages
8	FONCTIONNEMENT
8	Brûleurs À Infrarouge
8	Utilisation Initiale : Brûleurs À Infrarouge
8	Utilisation : Brûleurs À Infrarouge
8	Arrêt
9	INFORMATION SUR LES APPLICATIONS DU PRODUIT
9	Rôtissoire
10	ENTRETIEN ET NETTOYAGE
10	Acier Inoxydable
10	Section Rôtissoire
10	Instructions De Démontage De La Crémaillère Et Du Cadre De Crémaillère De Grille

Maintenir les abords de l'appareil dégagés et ne pas y stocker de produits combustibles

AVERTISSEMENT

Ce produit contient des produits chimiques reconnus par l'état de Californie comme causant le cancer et/ou des malformations congénitales ou d'autres problèmes de reproduction. L'installation et l'entretien de ce produit peut vous exposer aux poussières de laine de verre/fibres céramiques. L'inhalation de ces particules de laine de verre ou de fibres céramiques est reconnue par l'état de Californie comme causant le cancer. L'utilisation de ce produit peut vous exposer au monoxyde de carbone en cas de mauvais réglage. L'inhalation de monoxyde de carbone est reconnue par l'état de Californie comme pouvant causer des malformations congénitales ou d'autres problèmes reproductifs.

Enodis UK LTD.
Swallowfield Way, Hayes, Middlesex UB3 1DQ
ANGLETERRRE
Téléphone : 081-561-0433
Télécopieur : 081-848-0041

GARLAND COMMERCIAL RANGES, LTD.
1177 Karamo Road, Mississauga, Ontario L4W 1X4
CANADA
Téléphone : 905-624-0260
Télécopieur : 905-624-5669

GARLAND COMMERCIAL INDUSTRIES
185 East South Street
Freeland, Pennsylvania 18224
Téléphone : (570) 636-1000
Télécopieur : (570) 636-3903

L'attention des utilisateurs est attirée sur le fait que l'entretien et les réparations doivent être effectués par un agent d'entretien autorisé par Garland utilisant des pièces de rechange d'origine Garland. Garland n'aura aucune obligation en ce qui concerne n'importe quel produit mal installé, réglé, utilisé ou qui n'aurait pas été entretenu conformément aux codes nationaux et locaux ou aux instructions d'installation fournies avec le produit ou n'importe quel produit dont le numéro de série aurait été mutilé, oblitéré ou supprimé ou qui aurait été modifié ou réparé avec des pièces non autorisées ou par des agents d'entretien non autorisés. Pour obtenir la liste des agents de service autorisés, consulter le site web de Garland à : <http://www.garland-group.com>. Les renseignements contenus dans le présent document (y compris la conception et les spécifications des pièces) peuvent être remplacés ou modifiés sans préavis.

Pour votre sécurité
Placer dans un endroit bien en vue les
instructions à suivre en cas d'odeur de gaz
détectée par l'utilisateur. Cette information peut
être obtenue auprès du fournisseur de gaz local.

LIRE TOUTES LES SECTIONS DU PRÉSENT
MANUEL ET LE CONSERVER POUR S'Y REPORTER
ULTÉRIEUREMENT.
CE PRODUIT A ÉTÉ HOMOLOGUÉ EN TANT
QU'ÉQUIPEMENT PROFESSIONNEL DE CUISSON
ET DOIT ÊTRE INSTALLÉ PAR DU PERSONNEL
PROFESSIONNEL TEL QUE SPÉCIFIÉ.
DANS L'ÉTAT DU MASSACHUSETTS, CE PRODUIT
DOIT ÊTRE INSTALLÉ PAR UN PLOMBIER OU UN
MONTEUR D'INSTALLATION AU GAZ. NUMÉRO
D'AUTORISATION : G-1-07-05-28

<p>AVERTISSEMENT UNE INSTALLATION, DES RÉGLAGES, DES MODIFICATIONS, DES RÉPARATIONS OU UN ENTRETIEN MAL FAITS PEUVENT CAUSER DES DOMMAGES MATÉRIELS, DES BLES- SURES OU LA MORT. LIRE SOIGNEUSE- MENT LES INSTRUCTIONS D'INSTALLATION, D'UTILISATION ET D'ENTRETIEN AVANT D'INSTALLER OU DE RÉPARER L'ÉQUIPEMENT.</p>	<p>POUR VOTRE SÉCURITÉ : NE PAS STOCKER NI UTILISER D'ESSENCE OU D'AUTRES VAPEURS OU LIQUIDES INFLAMMABLES À PROXIMITÉ DE CET APPAREIL OU DE TOUT AUTRE APPAREIL</p>
--	---



MANUEL D'UTILISATION ET D'INSTALLATION RÔTISSOIRE EN INFRAROUGE SÉRIE CUISINE



Free Manuals Download Website

<http://myh66.com>

<http://usermanuals.us>

<http://www.somanuals.com>

<http://www.4manuals.cc>

<http://www.manual-lib.com>

<http://www.404manual.com>

<http://www.luxmanual.com>

<http://aubethermostatmanual.com>

Golf course search by state

<http://golfingnear.com>

Email search by domain

<http://emailbydomain.com>

Auto manuals search

<http://auto.somanuals.com>

TV manuals search

<http://tv.somanuals.com>