



# Regal Series Broiler with Nonadjustable Grates

Item: \_\_\_\_\_  
 Quantity: \_\_\_\_\_  
 Project: \_\_\_\_\_  
 Approval: \_\_\_\_\_  
 Date: \_\_\_\_\_

Regal Series Broiler with Nonadjustable Grates

Models:

- RBA-24     
  RBA-30     
  RBA-36     
  RBA-48     
  RBA-60



Model RBA-24

### Standard Features:

- Heavy-duty, reversible, cast iron grates in 3" (76mm) sections
- Built-in front grease trough
- Large capacity, 1-1/2" (38mm) deep drip pan
- Aluminized steel burners, one every 6" (152mm)
- Cast iron radiants, one every 6" (152mm)
- 15,000 BTU/hr per burner
- Individual burner controls
- Standing pilot for instant lighting
- 3/4" Gas regulator

- 4" (102mm) Legs with adjustable feet
- Exterior finish - stainless steel front and sides

### Optional Features:

- Stainless steel stand with intermediate shelf
- 3" (76mm) deep water pan in lieu of 1-1/2" (38mm) deep drip pan, for models RBA-30, -36, -48, and -60; no additional charge
- Casters on stand - swivel type
- Stainless steel splat-terguards (with original equipment order)

### Specification:

Shall be U.S. Range Regal Broiler w/nonadjustable grate, Model \_\_\_\_\_ with total BTU/hr rating of \_\_\_\_\_ when used with natural/propane gas. Finish is to be stainless steel front and sides.



Model #	Description	Total BTU	SHIPPING INFORMATION	
			Lb/Kg	Cubic Feet
RBA-24	24" (610mm) Wide Broiler	60,000	226/103	18
RBA-30	30" (762mm) Wide Broiler	75,000	266/121	22
RBA-36	36" (914mm) Wide Broiler	90,000	300/136	25
RBA-48	48" (1219mm) Wide Broiler	120,000	387/176	33
RBA-60	60" (1524mm) Wide Broiler	150,000	467/212	40

Garland Commercial Industries, LLC  
 185 East South Street  
 Freeland, PA 18224  
 Phone: (570) 636-1000  
 Fax: (570) 636-3903

Garland Commercial Ranges Ltd  
 1177 Kamato Road,  
 Mississauga, Ontario  
 L4W 1X4 CANADA  
 Phone: 905-624-0260  
 Fax: 905-624-5669

Enodis UK LTD  
 Swallowfield Way,  
 Hayes, Middlesex  
 UB3 1DQ ENGLAND  
 Telephone: 081-561-0433  
 Fax: 081-848-0041

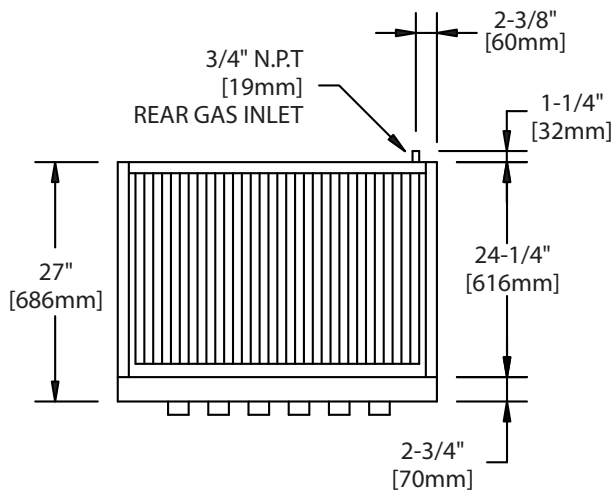


Model #	Dimensions: In. (mm)			No. of Burners	Total BTU*	Gas Broiling Grid: In. (mm)	
	Width	Depth	Height			Width	Depth
RBA-24	24(610)	27(656)	13(330)	4	60,000	20(508)	21-1/2(546)
RBA-30	30(762)	27(646)	13(330)	5	75,000	26(660)	21-1/2(546)
RBA-36	36(914)	27(646)	13(330)	6	90,000	32(813)	21-1/2(546)
RBA-48	48(1219)	27(646)	13(330)	8	120,000	44(1118)	21-1/2(546)
RBA-60	60(1524)	27(646)	13(330)	10	150,000	56(1422)	21-1/2(546)

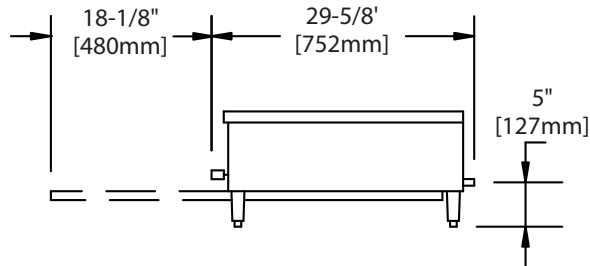
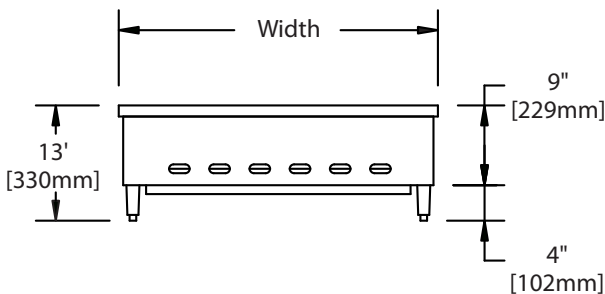
\* Natural and Propane Gas Gas Manifold 3/4" NPT on all models

Many local codes exist and it is the responsibility of the owner and installer to comply with those codes.

Garland/U.S. Range products are not approved or authorized for home or residential use, but are intended for commercial applications only. Garland / U.S. Range will not provide service, warranty, maintenance or support of any kind other than in commercial applications.



Manifold Operating Pressure All Models			
Natural Gas		Propane	
"WC	Mbar	"WC	Mbar
5	12.5	10	25



Form# RBA (06/07)

Garland Commercial Industries, LLC  
185 East South Street  
Freeland, PA 18224  
Phone: (570) 636-1000  
Fax: (570) 636-3903

Garland Commercial Ranges Ltd  
1177 Kamato Road,  
Mississauga, Ontario  
L4W 1X4 CANADA  
Phone: 905-624-0260  
Fax: 905-624-5669

Enodis UK LTD  
Swallowfield Way,  
Hayes, Middlesex  
UB3 1DQ ENGLAND  
Telephone: 081-561-0433  
Fax: 081-848-0041

## Free Manuals Download Website

<http://myh66.com>

<http://usermanuals.us>

<http://www.somanuals.com>

<http://www.4manuals.cc>

<http://www.manual-lib.com>

<http://www.404manual.com>

<http://www.luxmanual.com>

<http://aubethermostatmanual.com>

Golf course search by state

<http://golfingnear.com>

Email search by domain

<http://emailbydomain.com>

Auto manuals search

<http://auto.somanuals.com>

TV manuals search

<http://tv.somanuals.com>