



GPS 17x NMEA 2000® Installation Instructions

The Garmin GPS 17x NMEA 2000 high-sensitivity GPS antenna provides position information to your existing NMEA 2000 network. If you do not have an existing NMEA 2000® network on your boat, you will need to install one. For more information about NMEA 2000, visit www.garmin.com.

The GPS 17x antenna must be properly installed according to the following instructions. You need the appropriate fasteners, tools, and mounts listed in each section. These items are available at most marine dealers. Always wear safety goggles, ear protection, and a dust mask when drilling, cutting, or sanding. When drilling or cutting, always check what is on the opposite side of the surface.

If you experience difficulty installing the unit, seek the assistance of a professional installer or contact Garmin Product Support by phone at 913/397.8200 or 800/800.1020. Go to www.garmin.com/support/ for more information. In Europe, contact Garmin (Europe) Ltd. at 44/0870.8501241.

WARNING: See the *Important Safety and Product Information* guide in the product box for product warnings and other important information.

Product Registration

Help us better support you by completing our online registration at www.garmin.com/registration/.

For future reference, write the serial number assigned to your GPS 17x in the space provided. It is located on a sticker on the back of the unit.

Serial number _____

Packing List and Accessories

Before installing your unit, confirm that your package includes the following items. If any parts are missing, contact your Garmin dealer immediately.

Standard Package

- GPS 17x Antenna
- Surface-mount bracket
- Pole-mount bracket
- Under-deck mount bracket
- Mounting hardware (screws and adhesive pads)
- NMEA 2000 T-connector and terminators
- NMEA 2000 drop cable 6.5 ft. (2 m)
- Installation instructions

Tools Needed

- Drill
- Drill bit—surface-mount pilot-holes (see table)
- Drill bit—3/4" (19 mm) pole-mount cable-hole
- Hole saw, 1 in (25 mm)—surface-mount cable-hole
- Screwdriver—surface mount screws
- Center punch and hammer (to mark surface-mount pilot holes)
- Countersink bit (when mounting on fiberglass)
- Marine sealant (for some mounting options)

Optional Accessories

- Additional NMEA 2000 network components

| Material | Material Thickness (in.) | Material Thickness (mm) | Hole Size (in.) | Hole Size (mm) | Hole Size (Drill Number) |
|-------------------------------------------------------------------|--------------------------|-------------------------|-----------------|----------------|--------------------------|
| Aluminum alloy sheet metal | from 1/32 to 5/64 | from 0.76 to 2.03 | .128 | 3.25 | 30 |
| | from 3/32 to 3/8 | from 2.28 to 9.52 | .147 | 3.73 | 26 |
| Fiberglass—all thicknesses | | | .140 | 3.56 | 28 |
| High Density Plastic—all thicknesses | | | .125 | 3.17 | 1/8 |
| Plywood (resin impregnated)—Professional installation recommended | | | .144 | 3.66 | 27 |

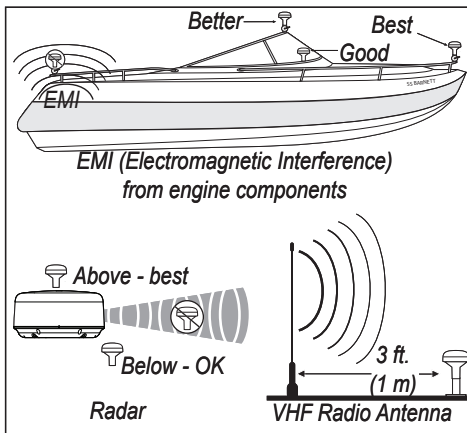
Pilot Hole Size Table

Step 1: Mount the GPS 17x Antenna

You can surface mount the GPS 17x antenna, attach it to a standard 1 in. OD pipe-threaded-pole marine mount (14 threads-per-inch—not included), or even install the antenna under fiberglass.

Select a suitable location for the GPS 17x antenna on your boat. To ensure the best reception, mount the GPS 17x antenna in a location that has a clear, unobstructed view of the sky in all directions.

- Avoid mounting the GPS 17x antenna where it is shaded by the superstructure of the boat, a radome antenna, or mast.
- On a sailboat, avoid mounting the GPS 17x antenna high on the mast, to prevent inaccurate speed readings caused by excessive heeling.
- The GPS 17x antenna provides more-stable readings when located nearer to water level.
- **Mount the GPS 17x antenna at least 3 ft. (1 m) away from (preferably above) the path of any radar beam or a VHF radio antenna.**



GPS 17x Placement Considerations

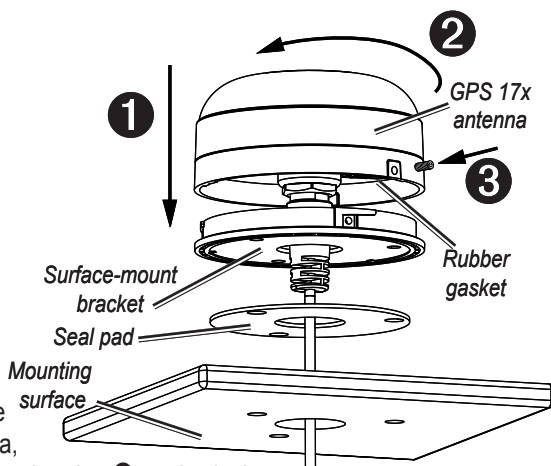
Temporarily secure the antenna in the preferred mounting location and test it for correct operation. If you experience interference with other electronics, try a different location. When you verify correct operation, permanently mount the antenna.

Surface-mounting the GPS 17x Antenna

- 1 Use the surface-mount bracket as your mounting template.
 - Use a center punch to mark the three screw locations on the surface.
 - Use a pencil to trace the cable-hole in the center of the bracket.
 - Set the surface-mount bracket aside. Do not drill through the surface-mount bracket.
- 2 Select the appropriate drill bit for your mounting surface using the drill bit table (page 1), and drill the three pilot holes.

NOTE: If you are mounting the GPS 17x on fiberglass, it is recommended to use a countersink bit to drill a clearance counterbore through the top gelcoat layer (but no deeper). This will help to avoid cracking in the gelcoat layer when the screws are tightened.

- 3 Use a 1 in. (25 mm) hole saw to cut the cable hole in the center.
- 4 Place the seal pad on the bottom of the surface-mount bracket. Make sure that the screw holes align.
- 5 Use the included M4 screws to attach the surface-mount bracket to the mounting surface.
- 6 Route the NMEA 2000 cable through the 1 in. (25 mm) cable hole and connect it to the GPS 17x.
- 7 Make sure the large gasket is in place on the bottom of the GPS 17x antenna, place the antenna on the surface-mount bracket ①, and twist it clockwise to lock it in place ②.
- 8 Secure the antenna to the mounting bracket with the included M3 set screw ③.
- 9 Route the NMEA 2000 cable away from sources of electronic interference, and connect it to your NMEA 2000 network.

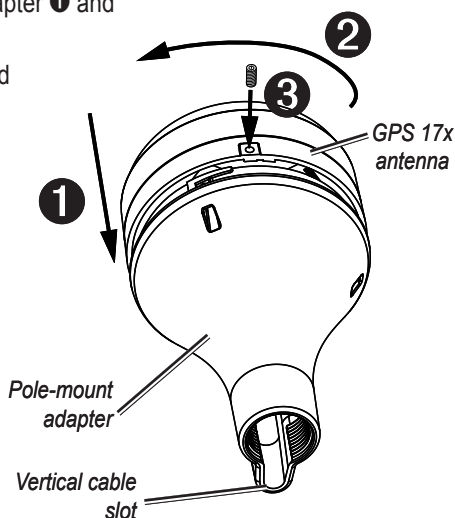


Pole Mounting the GPS 17x Antenna

With the pole-mount adapter attached to the GPS 17x, you can install the GPS 17x on a standard 1 in. OD pipe-threaded-pole marine mount (14 threads per inch—not included). You can run the NMEA 2000 cable through the pole or outside the pole.

To mount the GPS 17x with the cable run outside the pole:

1. Route the NMEA 2000 drop cable through the pole-mount adapter, and place the cable in the vertical slot along the base of the pole-mount adapter.
2. Thread the pole-mount adapter onto a standard 1 in. OD pipe-threaded-pole marine mount (14 threads per inch—not included). Do not overtighten the adapter.
3. Connect the NMEA 2000 drop cable to the GPS 17x antenna.
4. Place the GPS 17x antenna on the pole-mount adapter **1** and twist it clockwise to lock it in place **2**.
5. Secure the antenna to the adapter with the included M3 set screw **3**.
6. (Optional) With the GPS 17x installed on the pole mount, fill the remaining gap in the vertical cable slot with a marine sealant.
7. Attach the marine mount to the boat if it is not already attached.
8. Route the cable away from sources of electronic interference, and connect it to your NMEA 2000 network.



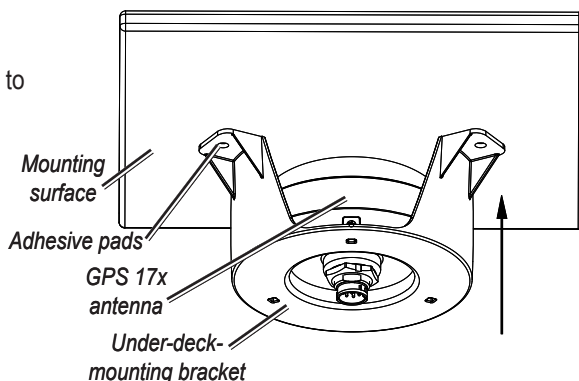
To mount the GPS 17x with the cable run through the pole:

1. Position a standard 1 in. OD pipe-threaded-pole marine mount (14 threads per inch—not included) in the preferred location, and mark the approximate center of the pole.
2. Drill a hole using a $\frac{3}{4}$ in. (19 mm) drill bit for the cable to pass through.
3. Fasten the marine mount to the boat.
4. Thread the pole-mount adapter onto the pole. Do not overtighten the adapter.
5. Route the NMEA 2000 drop cable through the pole and connect it to the GPS 17x antenna.
6. Place the GPS 17x antenna on the pole-mount adapter **1** and twist it clockwise to lock it in place **2**.
7. Secure the antenna to the adapter with the included M3 set screw **3**.
8. (Optional) With the GPS 17x installed on the pole mount, fill the vertical cable slot with a marine sealant.
9. Route the cable away from sources of electronic interference, and connect it to your NMEA 2000 network.

Under-deck-mounting the GPS 17x Antenna

The GPS 17x can be mounted under a fiberglass surface with the included adhesive pads. The GPS 17x will not acquire satellite signals through metal—you can only use the under-deck mount under a fiberglass surface.

1. Determine the location on the fiberglass surface where you want to mount the GPS 17x.
2. Place the adhesive pads on the under-deck mounting bracket.



There are holes in the under-deck mounting bracket that can be used to secure the under-deck mount to the mounting surface with screws. Garmin does not recommend attaching the under-deck mounting bracket to the surface with screws, because of the likelihood that screws will extend beyond the top of the mounting surface. If you choose to use screws, do so with extreme care.

3. Place the GPS 17x in the under-deck mounting bracket.
4. Adhere the under-deck mounting bracket to the mounting surface.
5. Connect the NMEA 2000 drop cable to the GPS 17x.
6. Route the cable away from sources of electronic interference, and connect it to your NMEA 2000 network.

Step 2: Connect the GPS 17x Antenna to Your NMEA 2000 Network

The GPS 17x is packaged with a NMEA 2000 T-connector and a NMEA 2000 drop cable. You will use these two components to connect the GPS 17x to your existing NMEA 2000 network. If you do not have an existing NMEA 2000 network, you will need to install a NMEA 2000 network on your boat. For more information on NMEA 2000, visit www.garmin.com.

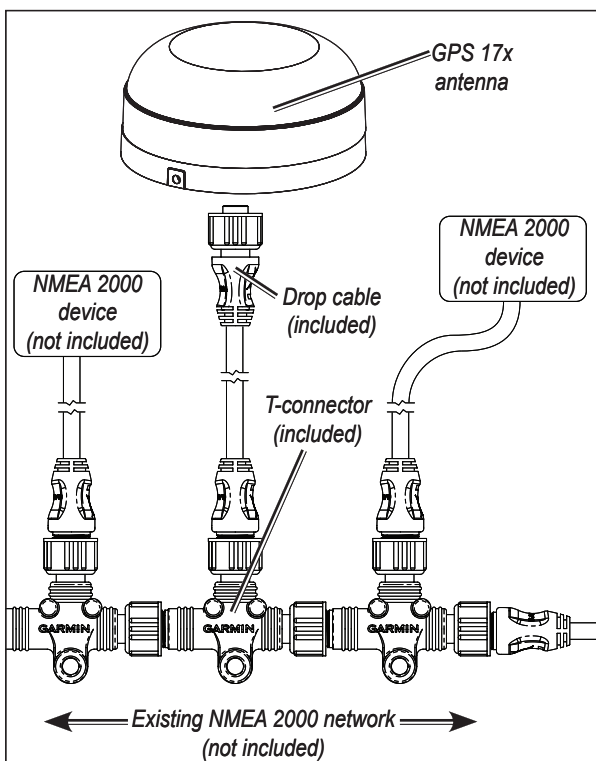
To connect the GPS 17x to your existing NMEA 2000 network:

1. Determine an appropriate location to connect the GPS 17x to your existing NMEA 2000 backbone.
2. Disconnect one side of a NMEA 2000 T-connector from the backbone nearest to the location where you want to connect the GPS 17x antenna.

If you need to extend the NMEA 2000 backbone, connect an appropriate NMEA 2000 backbone extension cable (not included) to the side of the T-connector you disconnected.

6. Connect an included T-connector in the NMEA 2000 backbone.
7. Route an included drop cable from the GPS 17x antenna to the top of the T-connector you added to your NMEA 2000 network.

If the included drop cable is not long enough, you can add a drop cable extension up to 13 ft. (4 m). If more cable is needed, add an extension to your NMEA 2000 backbone, based on the NMEA 2000 guidelines.



Step 3: Update Your Chartplotter

To ensure compatibility with the GPS 17x, upgrade your Garmin chartplotter with the latest software. For more information, visit <http://www8.garmin.com/support/download.jsp>.

Specifications

Physical

Dimensions: 3 ¹⁹/₃₂ in. (91.6 mm)
 Diameter × 1 ¹⁵/₁₆ in.
 (49.5 mm) High

Weight: 7.1 oz. (201 g)

NMEA 2000 drop cable: 19 ft, 8 in (6 m)

Temperature range: -22°F (-30°C) to
 176°F (80°C)

Case Material: Fully gasketed, high-impact plastic alloy, waterproof to IEC 529 IPX7 standards

Power

Power input source: 9–16 Vdc
 unregulated

Input current: 40 mA at 12 Vdc

NMEA 2000 Load Equivalency Number (LEN):
 3 (150 mA)

Accuracy

GPS: <33 ft. (10 m) 95% typical

DGPS: 10–16 ft. (3–5 m) 95% typical (WAAS/EGNOS accuracy.)

Velocity: 0.05 meter/sec steady state

NMEA 2000 PGN Information

| Transmit | | Receive | |
|----------|---------------------------------------------------|---------|---------------------------------------------------|
| 059392 | ISO Acknowledgment | 059392 | ISO Acknowledgment |
| 060928 | ISO Address Claim | 059904 | ISO Request |
| 126208 | NMEA - Command/Request/Acknowledge Group Function | 060928 | ISO Address Claim |
| 126464 | Transmit/Receive PGN List Group Function | 126208 | NMEA - Command/Request/Acknowledge Group Function |
| 126992 | System Time and Date | | |
| 126996 | Product Information | | |
| 129025 | Position - Rapid Update | | |
| 129026 | COG & SOG - Rapid Update | | |
| 129029 | GNSS Position Data | | |
| 129539 | GNSS DOPs | | |
| 129540 | GNSS Sats in View | | |



The GPS 17x is NMEA 2000 certified

Declaration of Conformity (DoC)

Hereby, Garmin, declares that this GPS 17x is in compliance with the essential requirements and other relevant provisions of Directive 1999/5/EC.



To view the full Declaration of Conformity, see the Garmin Web site for your Garmin product: www.garmin.com/products/gps17x/. Click **Manuals**, and then select the **Declaration of Conformity** link.

Software License Agreement

BY USING THE GPS 17x, YOU AGREE TO BE BOUND BY THE TERMS AND CONDITIONS OF THE FOLLOWING SOFTWARE LICENSE AGREEMENT. PLEASE READ THIS AGREEMENT CAREFULLY.

Garmin grants you a limited license to use the software embedded in this device (the “Software”) in binary executable form in the normal operation of the product. Title, ownership rights, and intellectual property rights in and to the Software remain in Garmin.

You acknowledge that the Software is the property of Garmin and is protected under the United States of America copyright laws and international copyright treaties. You further acknowledge that the structure, organization, and code of the Software are valuable trade secrets of Garmin and that the Software in source code form remains a valuable trade secret of Garmin. You agree not to decompile, disassemble, modify, reverse assemble, reverse engineer, or reduce to human readable form the Software or any part thereof or create any derivative works based on the Software. You agree not to export or re-export the Software to any country in violation of the export control laws of the United States of America.



© 2008 Garmin Ltd. or its subsidiaries

Garmin International, Inc.
1200 East 151st Street, Olathe, Kansas 66062, USA

Garmin (Europe) Ltd.
Liberty House, Hounslow Business Park, Southampton, Hampshire, SO40 9RB UK

Garmin Corporation
No. 68, Jangshu 2nd Road, Shijr, Taipei County, Taiwan

www.garmin.com

Part Number 190-00886-90 Rev. B

GPS 17x NMEA 2000® - Instructions d'installation

L'antenne GPS haute sensibilité Garmin GPS 17x NMEA 2000 fournit des informations sur votre réseau NMEA 2000 existant. Si votre bateau ne dispose pas encore d'un réseau NMEA 2000®, vous devez en installer un. Pour plus d'informations sur NMEA 2000, consultez le site www.garmin.com.

L'antenne GPS 17x doit être correctement installée conformément aux instructions suivantes. Pour ce faire, munissez-vous des attaches, des outils et des supports de fixation spécifiés à chaque section. Ces articles sont disponibles auprès de la plupart des revendeurs de produits marins. Portez toujours des lunettes de protection, un équipement antibruit et un masque antipoussière, lorsque vous percez, coupez ou poncez. Lorsque vous percez ou coupez, commencez toujours par vérifier la nature de la face opposée de l'élément.

En cas de difficultés lors de l'installation de l'appareil, demandez l'assistance d'un installateur professionnel ou contactez le service d'assistance produit de Garmin en appelant le 913 397 8200 ou le 800 800 1020. Consultez le site www.garmin.com/support/ pour obtenir de plus amples informations. En Europe, contactez Garmin (Europe) Ltd. au +44/0870.8501241.

AVERTISSEMENT : consultez le guide *Informations importantes sur le produit et la sécurité* inclus dans l'emballage, pour des avertissements et autres informations sur le produit.

Enregistrement du produit

Aidez-nous à mieux vous servir en remplissant notre formulaire d'enregistrement en ligne à l'adresse www.garmin.com/registration/.

Inscrivez le numéro de série associé à l'antenne GPS 17x dans la zone prévue à cet effet afin de pouvoir vous y reporter ultérieurement. Il figure sur un autocollant apposé à l'arrière de l'appareil.

Numéro de série _____

Liste des éléments fournis et accessoires

Avant d'installer l'appareil, vérifiez que l'emballage contient les éléments suivants. S'il manque certaines pièces, contactez immédiatement votre revendeur Garmin.

Contenu de l'emballage standard

- Antenne GPS 17x
- Support de fixation sur surface
- Support de fixation sur poteau
- Support de fixation sous le pont
- Matériel de montage (vis et tampons adhésifs)
- Connecteur en T et terminateurs NMEA 2000
- Câble de dérivation NMEA 2000 de 2 m
- Instructions d'installation

Outils requis

- Perceuse
- Foret - trous d'implantation pour la fixation sur surface (voir tableau)
- Foret de 19 mm - trou de câble pour la fixation sur poteau
- Scie-cloche de 25 mm - trou de câble pour la fixation sur surface
- Tournevis - vis pour fixation sur surface
- Pointeau et marteau (pour marquer les trous d'implantation pour la fixation sur surface)
- Foret aléueur (pour montage sur fibre de verre)
- Mastic d'étanchéité (pour certaines options de montage)

Accessoires en option

- Composants réseau NMEA 2000 supplémentaires

| Matériau | Épaisseur du matériau (mm) | Taille de l'orifice (mm) | Taille de l'orifice (numéro de foret) |
|-----------------------------------------------------------------------------------|----------------------------|--------------------------|---------------------------------------|
| Tôle en alliage d'aluminium | de 0,76 à 2,03 | 3,25 | 30 |
| | de 2,28 à 9,52 | 3,73 | 26 |
| Fibre de verre - toutes épaisseurs | | 3,56 | 28 |
| Plastique haute densité - toutes épaisseurs | | 3,17 | 1/8 |
| Contreplaqué (imprégné de résine) - Installation par un professionnel recommandée | | 3,66 | 27 |

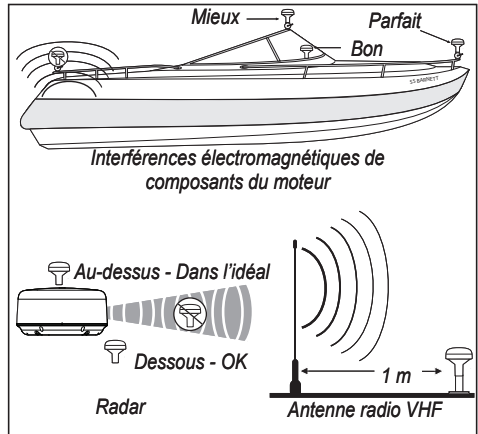
Tableau des tailles de trou d'implantation

Etape 1 : montage de l'antenne GPS 17x

Vous pouvez monter l'antenne GPS 17x sur une surface, la fixer à un montage pour bateau standard constitué d'un poteau fileté tubulaire d'une dimension extérieure de 25 mm (14 filetages par section de 25 mm - tige non fournie) ou l'installer sous de la fibre de verre.

Choisissez un emplacement adapté à l'installation de l'antenne GPS 17x sur votre bateau. Pour assurer la meilleure réception possible, montez l'antenne GPS 17x à un endroit offrant une vue du ciel dégagée.

- Evitez de l'installer à l'ombre de l'une des structures du bateau, d'un radôme ou d'un mât.
- Sur bateau de pêche, évitez d'installer l'antenne GPS 17x trop haut sur le mât pour ne pas entraîner de relevés de vitesse inexacts.
- L'antenne GPS 17x assure des relevés plus stables, lorsqu'elle est placée plus près de la surface de l'eau.
- **Installez l'antenne GPS 17x à une distance d'au moins 1 m et de préférence au-dessus de la portée d'un faisceau radar ou d'une antenne radio VHF.**



Positionnement de l'antenne GPS 17x

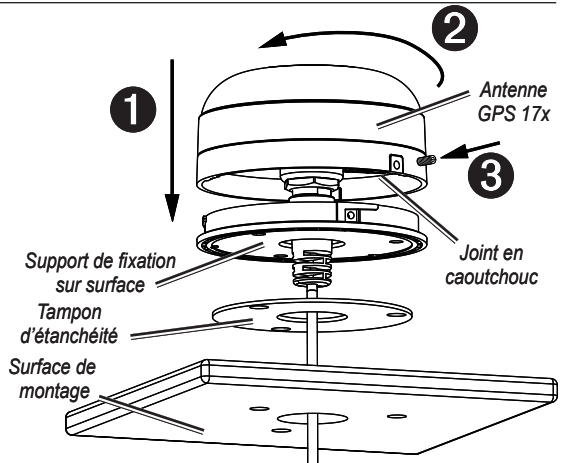
Fixez l'antenne temporairement à son emplacement d'installation et testez son fonctionnement. Si vous constatez une interférence d'autres appareils électroniques, essayez un emplacement différent. Lorsque le fonctionnement est correct, montez l'antenne à cet emplacement définitif.

Fixation sur surface de l'antenne GPS 17x

- 1 Utilisez le support de fixation sur surface comme modèle de montage.
 - Utilisez un pointeau pour marquer les trois emplacements de vis sur la surface.
 - Utilisez un crayon pour tracer le trou du câble au centre du support.
 - Mettez de côté le support de fixation sur surface. Ne percez pas à travers le support de fixation sur surface.
2. Choisissez le foret adapté à votre surface de montage à l'aide du tableau des forets ([page 7](#)) et percez les trois trous d'implantation.

REMARQUE : si vous montez l'antenne GPS 17x sur de la fibre de verre, il est recommandé d'utiliser un foret alésé pour percer un trou contre-alésé dans la couche supérieure plastifiée (sans percer plus profond), ce afin d'éviter que la couche plastifiée ne se fissure lorsque les vis seront mises en place.

3. Utilisez une scie-cloche de 25 mm pour découper l'orifice du câble au centre.
4. Placez le tampon d'étanchéité au bas du support de fixation sur surface. Assurez-vous que les trous des vis sont alignés.
5. Utilisez les vis M4 fournies pour fixer le support de fixation sur la surface de montage.
6. Passez le câble NMEA 2000 dans le trou de câble de 25 mm et branchez-le à l'antenne GPS 17x.
7. Assurez-vous que le grand joint est fixé au bas de l'antenne GPS 17x, placez l'antenne sur le support de montage sur surface **1** et tournez-la dans le sens des aiguilles d'une montre pour la bloquer **2**.
8. Fixez l'antenne au support de fixation à l'aide de la vis M3 fournie **3**.
9. Eloignez le câble NMEA 2000 des sources d'interférences électroniques et branchez-le à votre réseau NMEA 2000.

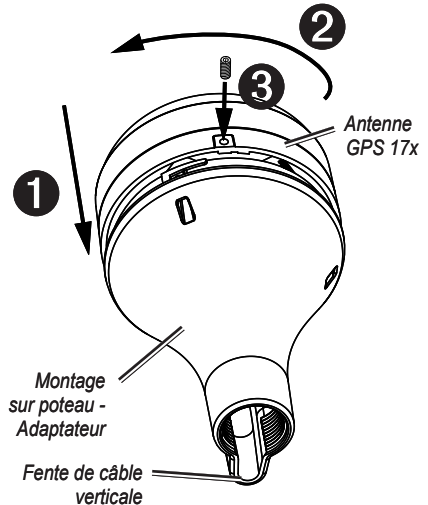


Fixation sur poteau de l'antenne GPS 17x

Utilisez l'adaptateur de fixation sur poteau de l'antenne GPS 17x pour l'installer sur un montage pour bateau standard constitué d'un poteau fileté tubulaire d'une dimension extérieure de 25 mm (14 filetages par section de 25 mm - tige non fournie). Vous pouvez faire passer le câble NMEA 2000 dans le poteau ou à l'extérieur du poteau.

Pour monter l'antenne GPS 17x en faisant passer le câble à l'extérieur du poteau :

1. Passez le câble de dérivation NMEA 2000 dans l'adaptateur de fixation sur poteau et placez le câble dans la fente verticale, le long de la base de l'adaptateur.
2. Vissez l'adaptateur de fixation sur poteau sur un montage pour bateau standard constitué d'un poteau fileté tubulaire d'une dimension extérieure de 25 mm (14 filetages par section de 25 mm - tige non fournie). Ne serrez pas l'adaptateur outre mesure.
3. Branchez le câble de dérivation NMEA 2000 à l'antenne GPS 17x.
4. Placez l'antenne GPS 17x sur l'adaptateur de fixation sur poteau ❶ et tournez-la dans le sens des aiguilles d'une montre pour la bloquer ❷.
5. Fixez l'antenne à l'adaptateur à l'aide de la vis M3 fournie ❸.
6. (Facultatif) Une fois l'antenne GPS 17x installée sur le poteau, comblez l'écart autour de la fente verticale du câble à l'aide d'un mastic d'étanchéité.
7. Fixez le montage pour bateau au bateau, si ce n'est déjà fait.
8. Eloignez le câble des sources d'interférences électroniques et branchez-le à votre réseau NMEA 2000.



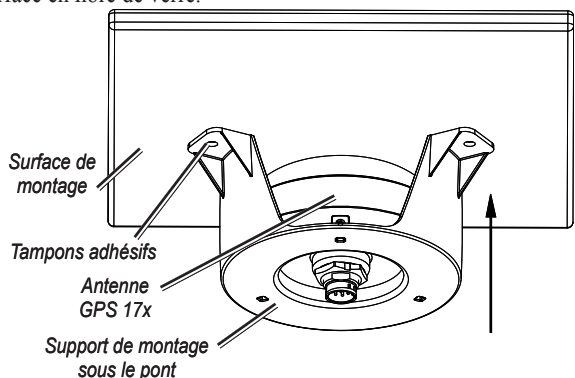
Pour monter l'antenne GPS 17x en faisant passer le câble dans le poteau :

1. Placez un montage pour bateau standard constitué d'un poteau fileté tubulaire d'une dimension extérieure de 25 mm (14 filetages par section de 25 mm - tige non fournie) à l'emplacement désiré, puis marquez le centre approximatif du poteau.
2. Percez un trou à l'aide d'un foret de 19 mm pour acheminer le câble.
3. Fixez le montage pour bateau au bateau.
4. Vissez l'adaptateur de fixation sur poteau au poteau. Ne serrez pas l'adaptateur outre mesure.
5. Acheminez le câble de dérivation NMEA 2000 à l'intérieur du poteau et branchez-le à l'antenne GPS 17x.
6. Placez l'antenne GPS 17x sur l'adaptateur de fixation sur poteau ❶ et tournez-la dans le sens des aiguilles d'une montre pour la bloquer ❷.
7. Fixez l'antenne à l'adaptateur à l'aide de la vis M3 fournie ❸.
8. (Facultatif) Une fois l'antenne GPS 17x installée sur le poteau, comblez la fente verticale du câble à l'aide d'un mastic d'étanchéité.
9. Eloignez le câble des sources d'interférences électroniques et branchez-le à votre réseau NMEA 2000.

Fixation de l'antenne GPS 17x sous le pont

L'antenne GPS 17x peut être montée sous une surface en fibre de verre au moyen des tampons adhésifs fournis. L'antenne GPS 17x n'acquiert pas de signaux satellite à travers le métal ; vous ne pouvez utiliser la fixation sous le pont qu'à travers une surface en fibre de verre.

1. Déterminez l'emplacement où vous souhaitez monter l'antenne GPS 17x sur la surface en fibre de verre.
2. Placez les tampons adhésifs sur le support de fixation sous le pont.



Le support de fixation sous le pont comporte des trous permettant de le visser sur la surface de montage. Garmin vous déconseille de visser le support de fixation sous le pont sur la surface, les vis risquant de dépasser de la partie supérieure de la surface de montage. Si vous décidez d'utiliser des vis, procédez avec précaution.

- Placez l'antenne GPS 17x dans le support de fixation sous le pont.
- Faites adhérer le support de fixation sous le pont sur la surface de montage.
- Branchez le câble de dérivation NMEA 2000 à l'antenne GPS 17x.
- Eloignez le câble des sources d'interférences électroniques et branchez-le à votre réseau NMEA 2000.

Etape 2 : connexion de l'antenne GPS 17x à votre réseau NMEA 2000

L'antenne GPS 17x est fournie avec un connecteur en T NMEA 2000 et un câble de dérivation NMEA 2000. Ces deux composants vous permettront de connecter l'antenne GPS 17x à votre réseau NMEA 2000. Si vous n'avez pas de réseau NMEA 2000 sur votre bateau, vous devez en installer un. Pour plus d'informations sur NMEA 2000, consultez le site www.garmin.com.

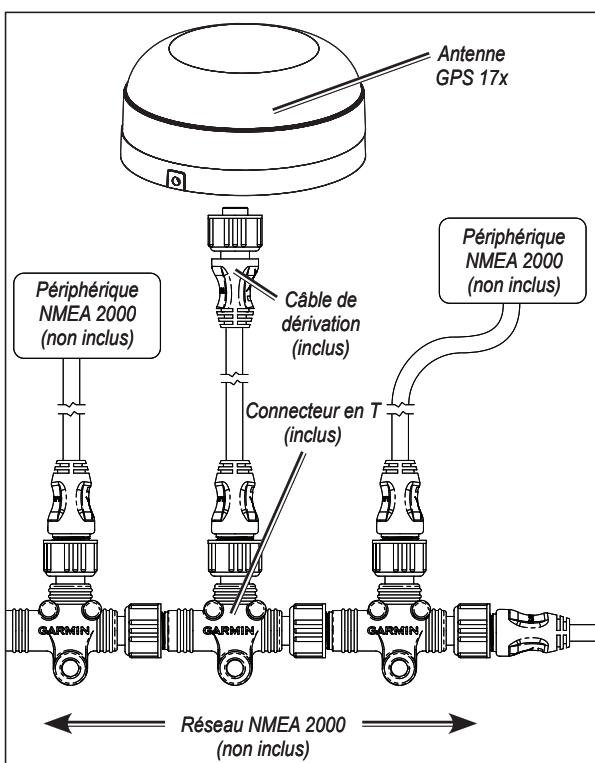
Connexion de l'antenne GPS 17x à votre réseau NMEA 2000 :

- Déterminez l'emplacement approprié pour connecter l'antenne GPS 17x à votre dorsale NMEA 2000.
- Débranchez un côté du connecteur en T NMEA 2000 de la dorsale, le plus près possible de l'emplacement auquel vous souhaitez connecter l'antenne GPS 17x.

Si vous devez étendre la dorsale NMEA 2000, connectez un câble d'extension de dorsale NMEA 2000 approprié (non inclus) sur le côté du connecteur en T débranché.

- Connectez un connecteur en T à la dorsale NMEA 2000.
- Acheminez un câble de dérivation (inclus) de l'antenne GPS 17x vers la partie supérieure du connecteur en T ajouté à votre réseau NMEA 2000.

Si le câble de dérivation inclus n'est pas assez long, vous pouvez ajouter une extension au câble de dérivation de 4 m maximum. Si vous avez besoin de plus de câble, ajoutez une extension à votre dorsale NMEA 2000, conformément aux instructions NMEA 2000.



Etape 3 : mise à niveau du traceur

Pour garantir sa compatibilité avec l'antenne GPS 17x, mettez à niveau votre traceur Garmin avec la dernière version du logiciel. Pour en savoir plus, consultez le site <http://www8.garmin.com/support/download.jsp>.

Caractéristiques techniques

Caractéristiques physiques

Dimensions : 91,6 mm Diamètre × 49,5 mm
Hauteur

Poids : 201 g

Câble de dérivation NMEA 2000 : 6 m

Plage de températures : -30 °C à 80 °C

Boîtier : alliage plastique résistant aux chocs hermétiquement fermé, étanche conformément aux normes CEI 529 IPX7

Précision

GPS : 10 m, 95 % standard

GPS différentiel : 3-5 m, 95 % standard
(Précision WAAS/EGNOS.)

Vélocité : 0,05 m/s à l'état stable

FR

Alimentation

Alimentation en entrée : 8-33 V c.c. non régulé

Courant en entrée : 40 mA à 12 V c.c.

Numéro d'équivalence de charge NMEA 2000 :
1 (100 mA)

Données PGN NMEA 2000

| Emettre | | Recevoir | |
|---------|----------------------------------------------------------------|----------|----------------------------------------------------------------|
| 059392 | Reconnaissance ISO | 059392 | Reconnaissance ISO |
| 060928 | Réclamation d'adresse ISO | 059904 | Requête ISO |
| 126208 | NMEA - Fonction de groupe de commande/de requête/d'acceptation | 060928 | Réclamation d'adresse ISO |
| 126464 | Fonction de groupe de liste PGN de transmission/d'émission | 126208 | NMEA - Fonction de groupe de commande/de requête/d'acceptation |
| 126992 | Heure et date système | | |
| 126996 | Informations produit | | |
| 129025 | Position - Mise à jour rapide | | |
| 129026 | Itinéraire et vitesse sur le fond - Mise à jour rapide | | |
| 129029 | Données de position GNSS | | |
| 129539 | CAP GNSS | | |
| 129540 | Sats en vue GNSS | | |



L'antenne GPS 17x est certifiée NMEA 2000

Déclaration de conformité

Par la présente, Garmin déclare que l'antenne GPS 17x est conforme aux principales exigences et autres clauses pertinentes de la directive européenne 1999/5/EC.



Pour prendre connaissance de l'intégralité de la déclaration de conformité relative à votre produit Garmin, visitez le site Web de Garmin à l'adresse suivante : www.garmin.com/products/gps17x/. Cliquez sur **Manuals (Manuels)**, puis sélectionnez **Declaration of Conformity (Déclaration de conformité)**.

Contrat de licence du logiciel

EN UTILISANT L'ANTENNE GPS 17x, VOUS ACCEPTEZ D'ÊTRE LIÉ PAR LES TERMES ET LES CONDITIONS DU CONTRAT DE LICENCE SUIVANT. LISEZ ATTENTIVEMENT CE CONTRAT DE LICENCE.

Garmin concède une licence limitée pour l'utilisation du logiciel intégré à cet appareil (le « Logiciel ») sous la forme d'un programme binaire exécutable dans le cadre du fonctionnement normal du produit. Tout titre, droit de propriété ou droit de propriété intellectuelle dans et concernant le Logiciel est la propriété de Garmin.

Vous reconnaissez que le Logiciel est la propriété de Garmin et est protégé par les lois en vigueur aux Etats-Unis d'Amérique et les traités internationaux relatifs au copyright. Vous reconnaissez également que la structure, l'organisation et le code du Logiciel constituent d'importants secrets de fabrication de Garmin et que le code source du Logiciel demeure un important secret de fabrication de Garmin. Vous acceptez de ne pas décompiler, désassembler, modifier, assembler à rebours, effectuer l'ingénierie à rebours ou transcrire en langage humain intelligible le Logiciel ou toute partie du Logiciel, ou créer toute œuvre dérivée du Logiciel. Vous acceptez de ne pas exporter ni de réexporter le Logiciel vers un pays contrevenant aux lois de contrôle à l'exportation des Etats-Unis d'Amérique.



© 2008 Garmin Ltd. ou ses filiales

Garmin International, Inc.
1200 East 151st Street, Olathe, Kansas 66062, Etats-Unis

Garmin (Europe) Ltd.
Liberty House, Hounsdown Business Park, Southampton, Hampshire, SO40 9RB, Royaume-Uni

Garmin Corporation
No. 68, Jangshu 2nd Road, Shijr, Taipei County, Taiwan

www.garmin.com

Réf. 190-00886-90 Rév. B



Istruzioni di installazione per GPS 17x NMEA 2000®

L'antenna ad alta sensibilità Garmin GPS 17x NMEA 2000 fornisce informazioni sulla posizione alla rete NMEA 2000 esistente. Se non si dispone di una rete NMEA 2000® esistente sull'imbarcazione, sarà necessario installarne una. Per ulteriori informazioni su NMEA 2000, visitare il sito Web www.garmin.com.

L'antenna GPS 17x deve essere installata correttamente, attenendosi alle istruzioni riportate di seguito. Procurarsi gli elementi di fissaggio, gli strumenti e i supporti appropriati, indicati in ciascuna sezione. Questi articoli sono generalmente disponibili presso i rivenditori di attrezzature per la navigazione. Durante le operazioni di trapanatura, taglio o carteggiatura, indossare occhiali protettivi, una maschera antipolvere e un'adeguata protezione per l'udito. Prima di effettuare operazioni di trapanatura o taglio, verificare l'eventuale presenza di oggetti sul lato opposto della superficie da tagliare.

In caso di difficoltà durante l'installazione dell'unità, rivolgersi a un installatore professionista o contattare l'assistenza per prodotti Garmin al numero 913/397.8200 o 800/800.1020. Per ulteriori informazioni, visitare il sito Web www.garmin.com/support/. In Europa, contattare Garmin (Europa) Ltd. chiamando il numero 44/0870.8501241.

AVVISO: per avvisi sul prodotto e altre informazioni importanti, vedere la guida *Informazioni importanti sul prodotto e sulla sicurezza* inclusa nella confezione.

Registrazione del prodotto

Compilando subito la registrazione in linea all'indirizzo www.garmin.com/registration/, è possibile ottenere tutta l'assistenza necessaria.

Per riferimento futuro, scrivere il numero di serie dell'antenna GPS 17x nell'apposito spazio. Il numero è riportato su un adesivo sul retro dell'unità.

Numero di serie _____

Elenco dei componenti e accessori

Prima di installare l'unità, verificare che nella confezione siano inclusi i componenti riportati di seguito. In assenza di uno o più componenti, contattare immediatamente il proprio rivenditore Garmin.

Confezione standard

- Antenna GPS 17x
- Supporto per montaggio in piano
- Supporto per montaggio su asta
- Supporto per montaggio sotto un piano
- Minuteria di montaggio (viti e adesivi)
- Connettore a T e terminazioni NMEA 2000
- Cavo di derivazione NMEA 2000 6,5 piedi (2 m)
- Istruzioni di installazione

Strumenti necessari

- Trapano
- Punta da trapano - Fori pilota per montaggio in piano (vedere tabella)
- Punta da trapano - 3/4" (19 mm) per montaggio su asta
- Punta con fresa a tazza, 1 poll. (25 mm) - Foro per il cavo per montaggio in piano
- Cacciavite - Viti per il montaggio in piano
- Punteruolo e martello (per contrassegnare i fori pilota per il montaggio in piano)
- Punta svasata (per il montaggio su fibra di vetro)
- Sigillante marino (per alcune opzioni di montaggio)

Accessori opzionali

- Componenti opzionali della rete NMEA 2000

| Materiale | Spessore del materiale (poll.) | Spessore del materiale (mm) | Dimensioni del foro (poll.) | Dimensioni del foro (mm) | Dimensioni del foro (Numero trapano) |
|-----------------------------------------------------------------------------------|--------------------------------|-----------------------------|-----------------------------|--------------------------|--------------------------------------|
| Lastra in lega di alluminio | Da 1/32 a 5/64 | da 0,76 a 2,03 | 0,128 | 3,25 | 30 |
| | da 3/32 a 1/8 | da 2,28 a 9,52 | 0,147 | 3,73 | 26 |
| Fibra di vetro - Qualsiasi spessore | | | 0,140 | 3,56 | 28 |
| Materiale in plastica di elevata densità - Qualsiasi spessore | | | 0,125 | 3,17 | 1/8 |
| Compensato (con rinforzo in resina) - Rivolgersi a un installatore professionista | | | 0,144 | 3,66 | 27 |

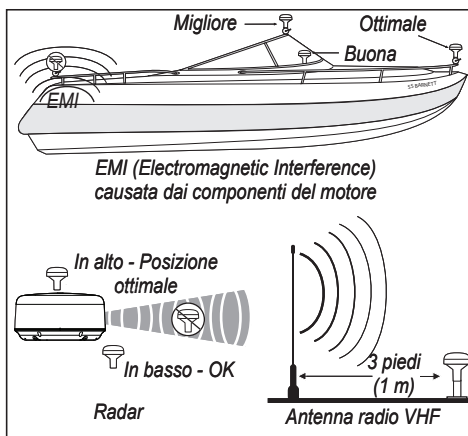
Tabella delle dimensioni dei fori guida

Fase 1: montaggio dell'antenna GPS 17x

L'antenna GPS 17x può essere installata su in piano, su un supporto marittimo per asta filettata standard da 1 poll. di dimensioni esterne (14 TPI, filetti per pollice - Non inclusa) o sotto un piano in fibra di vetro.

Selezionare una posizione appropriata per l'antenna GPS 17x sull'imbarcazione. Per garantire una ricezione ottimale, installare l'antenna GPS 17x in una posizione priva di ostacoli in tutte le direzioni.

- Evitare di installare l'antenna GPS 17x in posizioni in cui verrebbe coperta dalla sovrastruttura dell'imbarcazione, dall'antenna di un sistema per il rilevamento o dall'albero.
- Sulle imbarcazioni a vela, non installare l'antenna GPS 17x nella parte alta dell'albero per impedire che la lettura della velocità risulti imprecisa a causa dell'eccessiva inclinazione.
- L'antenna GPS 17x fornisce letture più stabili se posizionata in prossimità del livello dell'acqua.
- **Installare l'antenna GPS 17x ad almeno 3 piedi (1 m) dal percorso di eventuali raggi radar o antenne radio VHF (preferibilmente in posizione più elevata).**



Considerazioni sul posizionamento dell'antenna GPS 17x

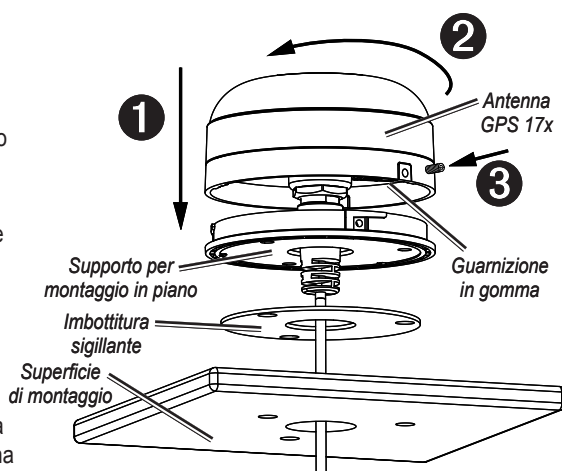
Fissare temporaneamente l'antenna nella posizione prescelta e verificarne il corretto funzionamento. Se si verificano interferenze con altra strumentazione elettronica, scegliere una posizione diversa. Quando il funzionamento appare corretto, fissare l'antenna in modo permanente.

Montaggio dell'antenna GPS 17x in piano

1. Utilizzare il supporto per montaggio in piano come modello per il montaggio.
 - Utilizzare un punteruolo per contrassegnare i tre punti per le viti sulla superficie.
 - Utilizzare una matita per contrassegnare il foro per il cavo al centro del supporto.
 - Non utilizzare il supporto per montaggio in piano mentre si praticano i fori con il trapano.
2. Selezionare la punta da trapano appropriata per la superficie di montaggio consultando l'apposita tabella (pagina 13), quindi praticare i tre fori pilota.

NOTA: se si sta installando l'antenna GPS 17x su fibra di vetro, si consiglia di utilizzare una punta svasata per praticare un foro svasato sullo strato superiore in gelcoat senza raggiungere gli strati inferiori. In questo modo è possibile evitare le crepe prodotte dal serraggio delle viti nello strato in gelcoat.

3. Utilizzare una punta con fresa a tazza da 1 poll. (25 mm) per eseguire il taglio del foro per il cavo al centro.
4. Posizionare l'imbottitura sigillante sul lato inferiore del supporto per montaggio in piano. Accertarsi che i fori per viti siano allineati.
5. Utilizzare le viti M4 incluse per collegare il supporto di montaggio in piano alla superficie di installazione.
6. Instradare il cavo di NMEA 2000 attraverso il foro per cavo da 1 poll. e collegarlo all'antenna GPS 17x.
7. Accertarsi che la guarnizione grande sia in posizione sul lato inferiore dell'antenna GPS 17x, posizionare l'antenna sul supporto di montaggio in piano **1**, quindi ruotarla in senso orario per bloccarla in posizione **2**.
8. Fissare l'antenna al supporto di montaggio mediante la vite di bloccaggio M3 inclusa **3**.
9. Instradare il cavo di NMEA 2000 lontano da sorgenti di interferenza elettronica e collegarlo alla rete NMEA 2000.

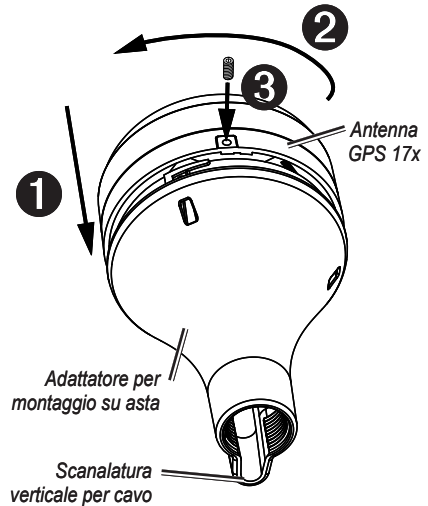


Montaggio su asta dell'antenna GPS 17x

Dopo aver collegato l'adattatore per montaggio su asta all'antenna GPS 17x, è possibile installare l'antenna su asta filettata standard da 1 poll. di dimensioni esterne (14 TPI - Non inclusa). Il cavo NMEA 2000 può essere instradato all'interno o all'esterno dell'asta.

Per installare l'antenna GPS 17x con il cavo all'esterno dell'asta:

1. Instradare il cavo NMEA 2000 di derivazione attraverso l'adattatore per montaggio su asta, quindi posizionare il cavo nella scanalatura verticale lungo la base dell'adattatore.
2. Inserire l'adattatore per montaggio su asta sull'asta filettata standard da 1 poll. di dimensioni esterne (14 TPI - Non inclusa). Non serrare l'adattatore più del necessario.
3. Collegare il cavo di derivazione NMEA 2000 all'antenna GPS 17x.
4. Posizionare l'antenna GPS 17x sull'adattatore per montaggio su asta **1** e ruotarla in senso orario per bloccarla in posizione **2**.
5. Fissare l'antenna all'adattatore mediante la vite di bloccaggio M3 inclusa **3**.
6. (Opzionale) Dopo avere installato l'antenna GPS 17x sul supporto per montaggio su asta, adoperare un sigillante marino per riempire gli spazi vuoti della scanalatura verticale per il cavo.
7. Fissare il supporto per navigazione all'imbarcazione.
8. Instradare il cavo lontano da sorgenti di interferenza elettronica e collegarlo alla rete NMEA 2000.



Per installare l'antenna GPS 17x con il cavo all'interno dell'asta:

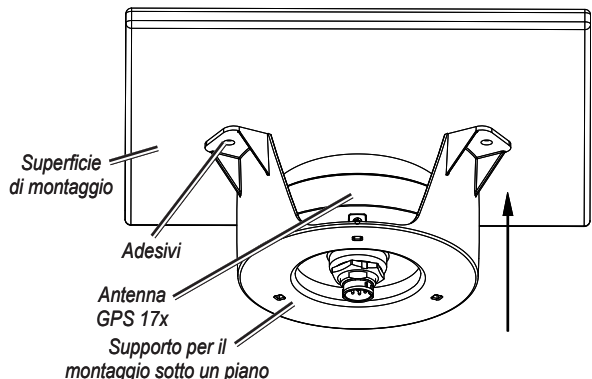
1. Posizionare un supporto per sistemi di navigazione standard sull'asta filettata standard da 1 poll. di dimensioni esterne (14 TPI - Non inclusa) nel punto desiderato, quindi contrassegnare approssimativamente il centro del supporto.
2. Praticare un foro con la punta da trapano da $\frac{3}{4}$ poll. (19 mm) per il cavo.
3. Fissare il supporto per navigazione all'imbarcazione.
4. Inserire l'adattatore per montaggio su asta sull'asta. Non serrare l'adattatore più del necessario.
5. Instradare il cavo di derivazione NMEA 2000 attraverso l'asta e collegarlo all'antenna GPS 17x.
6. Posizionare l'antenna GPS 17x sull'adattatore per montaggio su asta **1** e ruotarla in senso orario per bloccarla in posizione **2**.
7. Fissare l'antenna all'adattatore mediante la vite di bloccaggio M3 inclusa **3**.
8. (Opzionale) Dopo avere installato l'antenna GPS 17x sul supporto per montaggio su asta, adoperare un sigillante marino per riempire la scanalatura verticale per cavo.
9. Instradare il cavo lontano da sorgenti di interferenza elettronica e collegarlo alla rete NMEA 2000.

Montaggio sottoponte dell'antenna GPS 17x

L'antenna GPS 17x può essere installata sotto una superficie in fibra di vetro mediante gli adesivi inclusi. Poiché l'antenna GPS 17x non può acquisire il segnale satellitare attraverso il metallo, il supporto di montaggio deve essere installato sotto un piano in fibra di vetro.

1. Individuare la posizione sotto il piano in fibra di vetro su cui si desidera installare l'antenna GPS 17x.
2. Posizionare gli adesivi sul supporto di montaggio.

Il supporto di montaggio per installazione sotto un piano dispone di fori che consentono di fissare il supporto alla superficie di montaggio tramite viti. Tuttavia, l'installazione del supporto di montaggio tramite viti è sconsigliata, poiché le viti potrebbero forare la superficie di montaggio. Se si preferisce utilizzare le viti, prestare estrema attenzione.



3. Posizionare l'antenna GPS 17x nel supporto di montaggio per installazione sotto un piano.
4. Far aderire il supporto di montaggio alla superficie di montaggio.
5. Collegare il cavo di derivazione NMEA 2000 all'antenna GPS 17x.
6. Instradare il cavo lontano da sorgenti di interferenza elettronica e collegarlo alla rete NMEA 2000.

Fase 2: collegamento dell'antenna GPS 17x alla rete NMEA 2000 esistente

L'antenna GPS 17x viene fornita con un connettore a T NMEA 2000 e un cavo di derivazione NMEA 2000. Questi due componenti saranno utilizzati per collegare il GPS 17x alla rete NMEA 2000 esistente. Se non si dispone di una rete NMEA 2000 esistente, sarà necessario installarne una. Per ulteriori informazioni su NMEA 2000, visitare il sito Web www.garmin.com.

Per collegare l'antenna GPS 17x alla rete NMEA 2000 esistente:

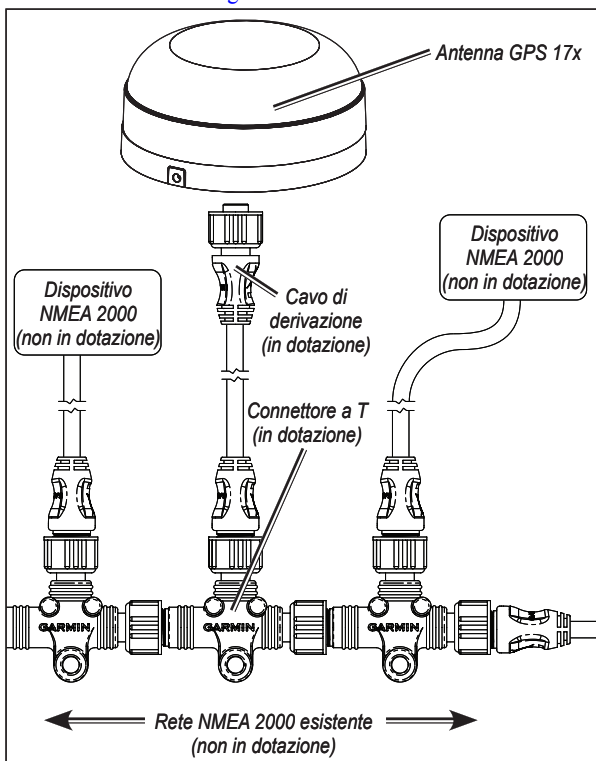
1. Individuare la posizione appropriata per collegare l'antenna GPS 17x al backbone NMEA 2000 esistente.

2. Scollegare l'estremità di un connettore a T di NMEA 2000 dal backbone vicino alla posizione in cui si desidera collegare l'antenna GPS 17x.

Se è necessario estendere il backbone NMEA 2000, collegare un cavo di estensione adeguato (non incluso) all'estremità del connettore a T scollegato.

3. Collegare uno dei connettori a T inclusi nel backbone NMEA 2000.
4. Instradare il cavo di derivazione incluso con l'antenna GPS 17x verso la parte superiore del connettore a T aggiunto alla rete NMEA 2000.

Se il cavo di derivazione incluso non è abbastanza lungo, è possibile aggiungere un'estensione lunga fino a 13 piedi (4 m). Se il cavo non è sufficiente, aggiungere un'estensione al backbone, sulla base delle linee guida NMEA 2000.



Fase 3: aggiornamento del chartplotter

Per garantire la compatibilità con l'antenna GPS 17x, si consiglia di aggiornare il chartplotter Garmin con la versione software più recente. Per ulteriori informazioni, visitare <http://www.garmin.com/support/download.jsp>.

Specifiche

Fisiche

Dimensioni: 3 ¹⁹/₃₂ poll. (91,6 mm) diametro ×
1 ¹⁵/₁₆ poll. (49,5 mm) altezza

Peso: 7,1 oncie (201 g)

Cavo di derivazione NMEA 2000: 19 piedi, 8 poll.
(6 m)

Intervallo di temperatura: da -22°F (-30°C)
al 76°F (80°C)

Materiale del rivestimento: completamente stagno, lega plastica e alluminio a elevata resistenza, impermeabile in conformità agli standard IEC 529 IPX7

Alimentazione

Alimentazione in entrata: 9–16 Vcc non regolata

Corrente in ingresso: 40 mA a 12 Vcc

Numero LEN (Load Equivalency Number)
NMEA 2000: 1 (100mA)

Precisione

GPS: <33 piedi (10 m) 95% tipico

DGPS: 10–16 piedi (3–5 m) 95% tipico
(precisione WAAS/EGNOS)

Velocità: 0,05 metri/sec a velocità costante

Informazioni su PGN NMEA 2000

| Trasmissione | | Ricezione | |
|--------------|----------------------------------------------------------------|-----------|-----------------------------------------------------------------|
| 059392 | Riconoscimento ISO | 059392 | Riconoscimento ISO |
| 060928 | Richiesta indirizzo ISO | 059904 | Richiesta ISO |
| 126208 | NMEA - Funzione di gruppo comando/ richiesta/riconoscimento | 060928 | Richiesta indirizzo ISO |
| 126464 | Funzione di gruppo di Elenco PGN in trasmissione/ricezione | 126208 | NMEA - Funzione di gruppo co- mando/richiesta/riconoscimento |
| 126992 | Data e ora del sistema | | |
| 126996 | Informazioni sul prodotto | | |
| 129025 | Posizione - Aggiornamento rapido | | |
| 129026 | COG & SOG - Aggiornamento rapido | | |
| 129029 | Dati posizione GNSS | | |
| 129539 | DOP GNSS | | |
| 129540 | Satelliti GNSS in vista | | |

L'antenna GPS 17x è certificata NMEA 2000

Dichiarazione di conformità (DoC)

Con il presente documento, Garmin dichiara che GPS 17x è conforme ai requisiti essenziali e alle altre disposizioni in materia previste dalla Direttiva 1999/5/CE.



Per visualizzare l'intero documento della Dichiarazione di conformità, visitare il sito Web Garmin relativo al prodotto: www.garmin.com/products/gps17x/. Fare clic su **Manuals**, quindi selezionare il collegamento **Declaration of Conformity**.

Contratto di licenza software

L'USO DEL GPS 17x IMPLICA L'ACCETTAZIONE DEI TERMINI E DELLE CONDIZIONI SPECIFICATI NEL SEGUENTE CONTRATTO DI LICENZA SOFTWARE. LEGGERE ATTENTAMENTE IL CONTRATTO RIPORTATO DI SEGUITO.

Garmin concede una licenza limitata per l'utilizzo del software integrato in questa periferica (il "Software") in forma binaria per il normale funzionamento del prodotto. Il titolo e i diritti di proprietà e proprietà intellettuale relativi al Software sono esclusivi di Garmin.

L'utente prende atto che il Software è di proprietà di Garmin ed è protetto dalle leggi sul copyright in vigore negli Stati Uniti d'America e dai trattati internazionali sul copyright. L'utente riconosce inoltre che la struttura, l'organizzazione e il codice del Software sono considerati segreti commerciali di Garmin e che il Software in formato sorgente resta un segreto commerciale di Garmin. L'utente accetta di non decompilare, disassemblare, modificare, decodificare o convertire in formato leggibile il Software o parte di esso né di creare altri prodotti basati sul Software. L'utente accetta di non esportare o riesportare il Software in qualsiasi paese in violazione delle leggi sul controllo delle esportazioni in vigore negli Stati Uniti.



© 2008 Garmin Ltd. o società affiliate

Garmin International, Inc.
1200 East 151st Street, Olathe, Kansas 66062, USA

Garmin (Europe) Ltd.
Liberty House, Hounslow Business Park, Southampton, Hampshire, SO40 9RB UK

Garmin Corporation
No. 68, Jangshu 2nd Road, Shijr, Taipei County, Taiwan

www.garmin.com

Codice prodotto 190-00886-90 Rev. B



GPS 17x NMEA 2000® Installationsanweisungen

Die Garmin GPS 17x NMEA 2000 GPS-Antenne mit hoher Empfindlichkeit bietet Positionsinformationen zu Ihrem bestehenden NMEA 2000-Netzwerk. Wenn auf Ihrem Boot kein NMEA 2000®-Netzwerk vorhanden ist, müssen Sie ein solches Netzwerk einrichten. Weitere Informationen zu NMEA 2000 finden Sie auf www.garmin.com.

Die GPS 17x Antenne muss entsprechend den folgenden Anweisungen richtig montiert werden. Sie benötigen die passenden Befestigungsmittel, Werkzeuge und Halterungen, die in jedem Abschnitt aufgeführt werden. Diese sind bei den meisten Händlern für Marinebedarf erhältlich. Tragen Sie beim Bohren, Schneiden und Sandstrahlen immer Schutzbrille, Gehörschutz und eine Staubmaske. Prüfen Sie beim Bohren oder Schneiden immer, was sich auf der anderen Seite der Oberfläche befindet.

Wenn Sie Schwierigkeiten bei der Montage des Geräts haben, wenden Sie sich an eine entsprechende Montagefirma oder telefonisch an den Garmin-Produktsupport unter +1-913-397-8200 oder +1-800-800-1020. Weitere Informationen finden Sie unter www.garmin.com/support/. In Europa können Sie sich telefonisch unter +44-0870-8501241 an Garmin (Europe) Ltd. wenden.

WARNUNG: Beachten Sie die wichtigen Sicherheits- und Produktinformationen, welche dem Gerät zusätzlich beiliegen.

Produktregistrierung

Helfen Sie uns, unseren Service weiter zu verbessern, und füllen Sie die Online-Registrierung unter www.garmin.com/registration/ aus.

Tragen Sie die Seriennummer Ihrer GPS 17x zur späteren Verwendung in den dafür vorgesehenen Bereich ein. Sie finden die Nummer auf einem Etikett an der Geräterückseite.

Seriennummer

Lieferumfang und Zubehör

Vergewissern Sie sich vor dem Einbau des Geräts, dass das Paket die unten aufgeführten Artikel enthält. Nehmen Sie beim Fehlen von Teilen unverzüglich Kontakt mit Ihrem Garmin-Händler auf.

Standardpaket

- GPS 17x Antenne
- Halterung für aufgesetzte Montage
- Halterung für Stangenmontage
- Halterung für die Montage unter Deck
- Montagesatz (Schrauben und Klebe-Pads)
- NMEA 2000-T-Stück und NMEA 2000-Terminatoren
- NMEA 2000-Stichleitung 2 m (6,5 Fuß)
- Installationsanweisungen

Erforderliche Werkzeuge

- Bohrmaschine
- Bohrer - Vorbohrungen für aufgesetzte Montage (siehe Tabelle)
- Bohrer, 19 mm (3/4 Zoll) - Kabelloch für Stangenmontage
- Lochsäge, 25 mm (1 Zoll) - Kabelloch für aufgesetzte Montage
- Schraubendreher - Schrauben für aufgesetzte Montage
- Körner und Hammer (zur Markierung der Vorbohrung für aufgesetzte Montage)
- Senkkopfböhrer (bei der Montage auf Glasfaser)
- Seetaugliches Dichtungsmittel (für einige Montagemöglichkeiten)

Optionales Zubehör

- Zusätzliche NMEA 2000-Netzwerkkomponenten

| Material | Materialdicke (Zoll) | Materialdicke (mm) | Durchmesser des Lochs (Zoll) | Durchmesser des Lochs (mm) | Durchmesser des Lochs (Bohrernummer) |
|--------------------------------------------------------------------------------------------|----------------------|--------------------|------------------------------|----------------------------|--------------------------------------|
| Aluminiumblech | von 1/32 bis 5/64 | von 0,76 bis 2,03 | 0,128 | 3,25 | 30 |
| | von 3/32 bis 3/8 | von 2,28 bis 9,52 | 0,147 | 3,73 | 26 |
| Glasfaser (alle Stärken) | | | 0,140 | 3,56 | 28 |
| Plastik mit hoher Dichte (alle Stärken) | | | 0,125 | 3,17 | 1/8 |
| Sperrholz (harzimpregniert) – die Installation sollte von Fachpersonal durchgeführt werden | | | 0,144 | 3,66 | 27 |

Größentabelle für Vorbohrung

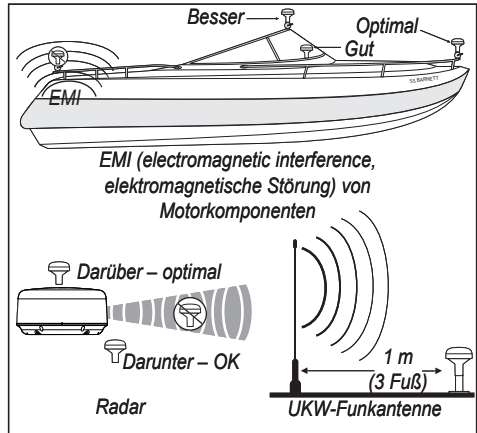


Schritt 1: Montieren Sie die GPS 17x Antenne

Sie können die GPS 17x Antenne auf einer Oberfläche montieren, sie an einer seetauglichen Standardhalterung mit einem Außendurchmesser von einem Zoll und einer Steigung von 14 Gängen pro Zoll (nicht enthalten) anbringen oder sie sogar unter Glasfasermaterial installieren.

Wählen Sie auf Ihrem Boot einen geeigneten Ort für die GPS 17x Antenne aus. Bringen Sie die Antenne so an, dass in alle Richtungen freie Sicht zum Himmel besteht, um für einen bestmöglichen Empfang zu sorgen.

- Sie darf nicht von den Aufbauten des Schiffs, einer anderen Antenne oder einem Mast verdeckt werden.
- Bringen Sie die Antenne GPS 17x auf einem Segelboot nicht zu hoch am Mast an, um die Geschwindigkeitsmesswerte nicht durch übermäßiges Krängen zu verfälschen.
- Näher an der Wasseroberfläche liefert die Antenne stabilere Werte.
- Halten Sie beim Befestigen einen **Mindestabstand von 1 m (3 Fuß) zum Radarstrahl (möglichst oberhalb davon) oder zur UKW-Funkantenne ein.**



Aspekte zur Montage der GPS 17x

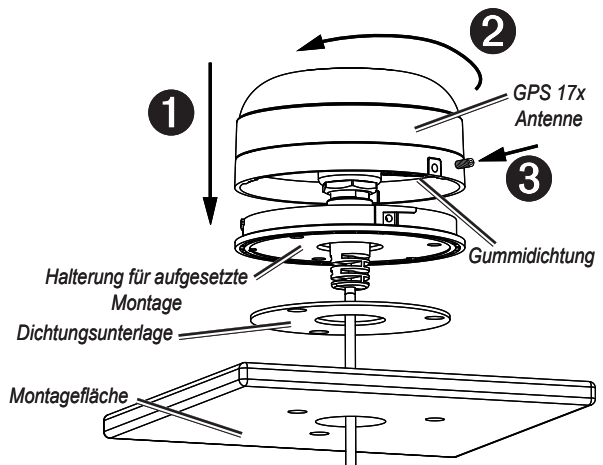
Positionieren Sie die Antenne vorläufig an ihrem vorgesehenen Ort, und prüfen Sie sie zunächst auf ihre Funktion. Wenn es zu Interferenzen mit anderen Geräten kommt, versuchen Sie es an einer anderen Stelle. Sobald sie richtig funktioniert, bringen Sie die Antenne fest an.

Aufgesetzte Montage der GPS 17x Antenne

1. Verwenden Sie die Halterung für aufgesetzte Montage als Montageschablone.
 - Verwenden Sie einen Körner, um die drei Schraubenpositionen auf der Oberfläche zu markieren.
 - Verwenden Sie einen Stift, um das Loch für das Kabel in der Mitte der Halterung vorzuzeichnen.
 - Legen Sie die Halterung für aufgesetzte Montage beiseite. Bohren Sie nicht durch die Halterung für aufgesetzte Montage.
2. Wählen Sie mithilfe der Bohrtabelle (Seite 19) den geeigneten Bohrer für Ihre Montagefläche, und bohren Sie die drei Vorbohrungen.

HINWEIS: Wenn Sie die GPS 17x auf Glasfaser montieren, wird die Verwendung eines Senkkopfbohrers empfohlen, um eine saubere Gegenbohrung durch die obere Gelcoat-Schicht (jedoch nicht tiefer) vorzunehmen. Dadurch wird verhindert, dass die Gelcoat-Schicht beim Anziehen der Schrauben bricht.

3. Verwenden Sie eine Lochsäge (25 mm, 1 Zoll), um das Loch für das Kabel in die Mitte zu schneiden.
4. Setzen Sie die Dichtungsunterlage auf die Unterseite der Halterung für aufgesetzte Montage. Stellen Sie sicher, dass die Bohrlöcher ausgerichtet sind.
5. Verwenden Sie die mitgelieferten M4-Schrauben, um die Halterung für aufgesetzte Montage auf der Montagefläche zu befestigen.
6. Verlegen Sie das NMEA 2000-Kabel durch das 25 mm (1 Zoll) große Loch für das Kabel, und verbinden Sie es mit der GPS 17x.
7. Stellen Sie sicher, dass die große Dichtung unten an der GPS 17x befestigt ist, setzen Sie die Antenne auf die Halterung für aufgesetzte Montage ①, und drehen Sie sie im Uhrzeigersinn, bis sie sicher sitzt ②.
8. Befestigen Sie die Antenne mithilfe der mitgelieferten M3-Feststellschraube ③ an der Halterung.
9. Verlegen Sie das NMEA 2000-Kabel mit ausreichendem Abstand zu anderen elektronischen Störquellen, und verbinden Sie es mit dem NMEA 2000-Netzwerk.

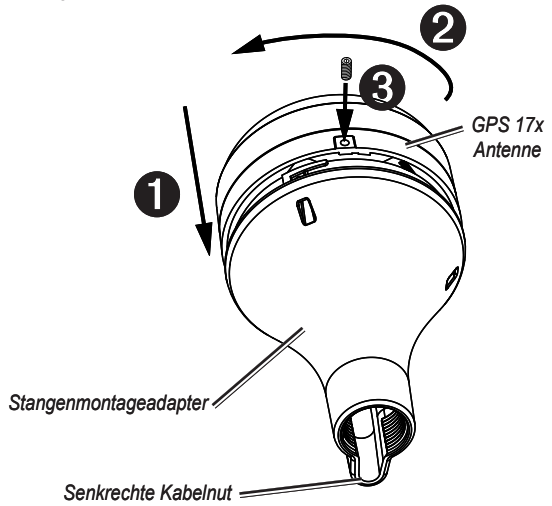


Montieren der GPS 17x Antenne an einer Stange

Indem Sie den Stangenmontageadapter an der GPS 17x befestigen, können Sie die GPS 17x an einer Standardhalterung mit einem Außendurchmesser von einem Zoll und einer Steigung von 14 Gängen pro Zoll (nicht enthalten) anbringen. Sie können das NMEA 2000-Kabel innen oder außen führen.

So montieren Sie die GPS 17x mit außen geführtem Kabel:

1. Verlegen Sie die NMEA 2000-Stichleitung durch den Stangenmontageadapter, und legen Sie das Kabel in die senkrechte Nut entlang des Stangenmontageadapters.
2. Drehen Sie den Stangenmontageadapter auf eine seetaugliche Standardhalterung mit einem Außendurchmesser von einem Zoll und einer Steigung von 14 Gängen pro Zoll (nicht enthalten). Ziehen Sie den Adapter nicht zu fest an.
3. Verbinden Sie die NMEA 2000-Stichleitung mit der GPS 17x.
4. Setzen Sie die GPS 17x auf den Stangenmontageadapter **1**, und drehen Sie sie im Uhrzeigersinn, bis sie sicher sitzt **2**.
5. Befestigen Sie die Antenne mithilfe der mitgelieferten M3-Feststellschraube am Adapter **3**.
6. (Optional) Sobald die GPS 17x mit der Stangenhalterung verbunden ist, füllen Sie den Spalt in der senkrechten Kabelnut mit einem seetauglichen Dichtungsmittel auf.
7. Bringen Sie die Stangenhalterung am Schiff an, wenn sie noch nicht befestigt wurde.
8. Verlegen Sie das Kabel mit ausreichendem Abstand zu anderen elektronischen Störquellen, und verbinden Sie es mit dem NMEA 2000-Netzwerk.



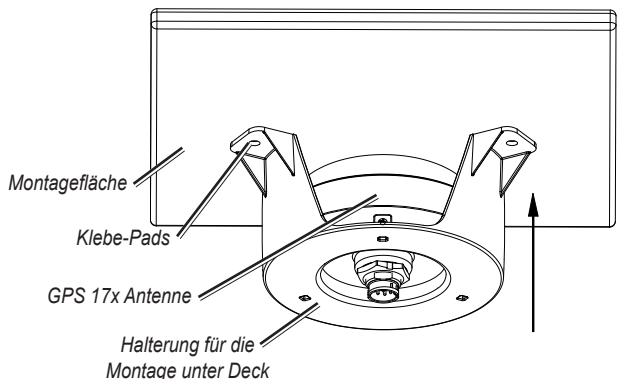
So montieren Sie die GPS 17 mit innen geführtem Kabel:

1. Bringen Sie eine seetaugliche Standardhalterung mit einem Außendurchmesser von einem Zoll und einer Steigung von 14 Gängen pro Zoll (nicht enthalten) an der gewünschten Stelle an, und markieren Sie die ungefähre Mitte der Halterung.
2. Bringen Sie mit einem Bohrer (19 mm, 3/4 Zoll) eine Bohrung für das Kabel an.
3. Befestigen Sie die Bootshalterung am Schiff.
4. Drehen Sie den Stangenmontageadapter auf die Stange. Ziehen Sie den Adapter nicht zu fest an.
5. Verlegen Sie die NMEA 2000-Stichleitung durch die Stange, und schließen Sie sie an die GPS 17x an.
6. Setzen Sie die GPS 17x auf den Stangenmontageadapter **1**, und drehen Sie sie im Uhrzeigersinn, bis sie sicher sitzt **2**.
7. Befestigen Sie die Antenne mithilfe der mitgelieferten M3-Feststellschraube am Adapter **3**.
8. (Optional) Sobald die GPS 17x mit der Stangenhalterung verbunden ist, füllen Sie die senkrechte Kabelnut mit einem seetauglichen Dichtungsmittel auf.
9. Verlegen Sie das Kabel mit ausreichendem Abstand zu anderen elektronischen Störquellen, und verbinden Sie es mit dem NMEA 2000-Netzwerk.

Montieren der GPS 17x Antenne unter Deck

Die GPS 17x kann mit den mitgelieferten Klebe-Pads unter einer Glasfaseroberfläche montiert werden. Die GPS 17x empfängt unter Metall keine Satellitensignale, d. h. Sie können die Montage unter Deck nur unter einer Glasfaseroberfläche vornehmen.

1. Bestimmen Sie die Stelle auf der Glasfaseroberfläche, an der Sie die GPS 17x montieren möchten.
2. Bringen Sie die Klebe-Pads auf der Halterung für die Montage unter Deck an.



Auf der Halterung für die Montage unter Deck befinden sich Löcher, die Sie verwenden können, um die Halterung mit Schrauben an der Montagefläche zu befestigen. Garmin empfiehlt nicht, die Halterung zur Montage unter Deck mit Schrauben an der Montagefläche zu befestigen, da die Schrauben möglicherweise über die Montagefläche hinaus ragen könnten. Wenn Sie Schrauben verwenden möchten, seien Sie extrem vorsichtig.

3. Setzen Sie die GPS 17x in die Halterung für die Montage unter Deck.
4. Bringen Sie die Halterung an der Montagefläche an.
5. Verbinden Sie die NMEA 2000-Stichleitung mit der GPS 17x.
6. Verlegen Sie das Kabel mit ausreichendem Abstand zu anderen elektronischen Störquellen, und verbinden Sie es mit dem NMEA 2000-Netzwerk.

Schritt 2: Verbinden Sie die GPS 17x Antenne mit dem NMEA 2000-Netzwerk

DE

Im Lieferumfang der GPS 17x sind ein NMEA 2000-T-Stück und eine NMEA 2000-Stichleitung enthalten. Diese beiden Komponenten dienen zum Verbinden der GPS 17x mit dem vorhandenen NMEA 2000-Netzwerk. Wenn auf Ihrem Boot kein NMEA 2000-Netzwerk vorhanden ist, müssen Sie ein solches Netzwerk einrichten. Weitere Informationen zu NMEA 2000 finden Sie auf www.garmin.com.

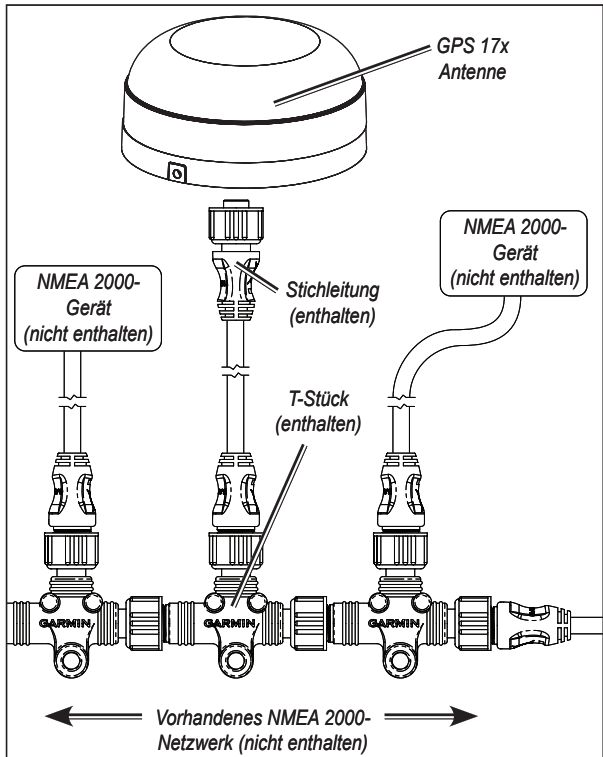
So verbinden Sie die GPS 17x mit einem vorhandenen NMEA 2000-Netzwerk:

1. Ermitteln Sie eine geeignete Stelle zum Anschließen der GPS 17x an den Backbone (Zentralleitung) des vorhandenen NMEA 2000-Netzwerks.
2. Trennen Sie in der Nähe der Stelle, an der Sie die GPS 17x anschließen möchten, eine Seite eines NMEA 2000-T-Stücks vom Backbone.

Wenn Sie den NMEA 2000-Backbone erweitern müssen, schließen Sie ein passendes Verlängerungskabel (nicht im Lieferumfang enthalten) für den NMEA 2000-Backbone an die Seite des T-Stücks an, an der Sie die Verbindung getrennt haben.

3. Schließen Sie ein mitgeliefertes T-Stück an den NMEA 2000-Backbone an.
4. Verlegen Sie die mitgelieferte Stichleitung der GPS 17x Antenne zur Spitze des T-Stücks, das Sie an das NMEA 2000-Netzwerk angeschlossen haben.

Wenn die mitgelieferte Stichleitung nicht lang genug ist, können Sie eine Verlängerung von maximal 4 m (13 Fuß) verwenden. Sollten Sie ein längeres Kabel benötigen, versehen Sie den NMEA 2000-Backbone mit einer Erweiterung gemäß den NMEA 2000-Spezifikationen.



Schritt 3: Aktualisieren Sie den Plotter (Firmwareupdate)

Aktualisieren Sie Ihren Garmin-Plotter mit der neuesten Software, damit Kompatibilität mit der GFS 17x gewährleistet ist. Weitere Informationen finden Sie unter <http://www8.garmin.com/support/download.jsp>.

Technische Daten

Physisch

Abmessungen: 91,6 mm (3 19/32 Zoll) Breite ×
49,5 mm (1 15/16 Zoll) Höhe

Gewicht: 201 g (7,1 oz.)

NMEA 2000-Stichleitung: 6 m (9 Fuß, 8 Zoll)

Temperaturbereich: -30 °C (-22 °F) bis
80 °C (176 °F)

Gehäusematerial: Vollständig abgedichtet,
schlagfestes Kunststoff-
Verbundmaterial, wasserdicht
gemäß IEC 529 IPX7

Stromversorgung

Stromversorgungsquelle: 8–33 V
Gleichspannung,
ungeregelt

Eingangsstrom: 40 mA bei 12 V
Gleichspannung

NMEA 2000 Load Equivalency Number (LEN):
1 (100 mA)

Genauigkeit

GPS: <10 m (33 Fuß) 95 % (typisch)

DGPS: 3–5 m (10-16 Fuß) 95 %
typisch (WAAS/EGNOS-
Genauigkeit)

Geschwindigkeit: 0,05 m/s (im stabilen Zustand)

NMEA 2000-PGN-Informationen

| Senden | | Empfangen | |
|--------|-------------------------------------------------------|-----------|-------------------------------------------------------|
| 059392 | ISO-Zulassung | 059392 | ISO-Zulassung |
| 060928 | ISO-Adressenanforderung | 059904 | ISO-Anforderung |
| 126208 | Gruppenfunktion NMEA - Befehl/Anforderung/Bestätigung | 060928 | ISO-Adressenanforderung |
| 126464 | Gruppenfunktion PGN-Listen senden/empfangen | 126208 | Gruppenfunktion NMEA - Befehl/Anforderung/Bestätigung |
| 126992 | Systemzeit und -datum | | |
| 126996 | Produktinformation | | |
| 129025 | Position - schneller Update | | |
| 129026 | COG & SOG - schneller Update | | |
| 129029 | GNSS-Positionsdaten | | |
| 129539 | GNSS-DOPs | | |
| 129540 | GNSS-Satelliten in Reichweite | | |



Die GPS 17x ist NMEA 2000-zertifiziert

Konformitätserklärung

Garmin erklärt hiermit, dass diese GPS 17x den wesentlichen Anforderungen und weiteren relevanten Vorschriften der Direktive 1999/5/EG entspricht.



Sie finden die vollständige Konformitätserklärung auf der Garmin-Website für Ihr Garmin-Produkt: www.garmin.com/products/gps17x/. Klicken Sie auf **Handbücher** und dann auf den Link **Konformitätserklärung**.

Software-Lizenzvereinbarung

DURCH DIE VERWENDUNG DER GPS 17x STIMMEN SIE ZU, AN DIE BEDINGUNGEN DER FOLGENDEN LIZENZVEREINBARUNG GEBUNDEN ZU SEIN. LESEN SIE DIE LIZENZVEREINBARUNG AUFMERKSAM DURCH.

DE

Garmin gewährt Ihnen eine beschränkte Lizenz zur Verwendung der Software auf diesem Gerät (die „Software“) im Binärformat im Rahmen des normalen Betriebs dieses Geräts. Verfügungsrechte, Eigentumsrechte und geistige Eigentumsrechte an der Software verbleiben bei Garmin.

Sie erkennen an, dass die Software Eigentum von Garmin ist und durch die Urheberrechte der Vereinigten Staaten von Amerika und internationale Abkommen zum Urheberrecht geschützt ist. Weiterhin erkennen Sie an, dass Struktur, Organisation und Code der Software wertvolle Betriebsgeheimnisse von Garmin sind und dass der Quellcode der Software ein wertvolles Betriebsgeheimnis von Garmin bleibt. Sie erklären sich bereit, die Software oder Teile davon nicht zu dekompileieren, zu deassemblieren, zu verändern, zurückzuassemblieren, mittels Reverse Engineering zu bearbeiten, in eine allgemein lesbare Form umzuwandeln oder ein von der Software abgeleitetes Produkt zu erzeugen. Sie verpflichten sich, die Software nicht in ein Land zu exportieren oder zu re-exportieren, das nicht im Einklang mit den Exportkontrollgesetzen der USA steht.



© 2008 Garmin Ltd. oder Tochterunternehmen

Garmin International, Inc.
1200 East 151st Street, Olathe, Kansas 66062, USA

Garmin (Europe) Ltd.
Liberty House, Hounslow Business Park, Southampton, Hampshire, SO40 9RB, Großbritannien.

Garmin Corporation
No. 68, Jangshu 2nd Road, Shijr, Taipei County, Taiwan

www.garmin.com

Teilenummer 190-00886-90, Überarb. B



Instrucciones de instalación de GPS 17x NMEA 2000®

La antena de alta sensibilidad GPS 17x NMEA 2000 de Garmin proporciona información sobre la posición a su red NMEA 2000 existente. Si no cuenta ya con una red NMEA 2000® en su embarcación, tendrá que instalar una. Para obtener más información sobre NMEA 2000, visite www.garmin.com.

La antena GPS 17x debe instalarse correctamente siguiendo las siguientes instrucciones. Necesita los cierres, herramientas y soportes que se enumeran en cada sección. Estos elementos están disponibles en la mayoría de distribuidores navales. Utilice siempre gafas de seguridad, un protector de oídos y una máscara antipolvo cuando vaya a realizar orificios, cortes o lijados. Al realizar orificios o cortes, compruebe siempre lo que hay al otro lado de la superficie.

Si tiene algún problema al instalar la unidad, solicite la ayuda de un instalador profesional o póngase en contacto con el departamento de asistencia de Garmin por teléfono llamando al 913/397.8200 o al 800/800.1020. Visite www.garmin.com/support/ para obtener más información. En Europa, comuníquese con Garmin (Europe) Ltd., llamando al (44)0870-850-12-41.

ADVERTENCIA: consulte la guía *Información importante sobre el producto y su seguridad* que se incluye en la caja del producto y en la que encontrará advertencias y otra información importante sobre el producto.

SE

Registro del producto

Complete hoy mismo el registro en línea en www.garmin.com/registration/ y ayúdenos a ofrecerle un mejor servicio.

Para futuras consultas, anote el número de serie asignado a su antena GPS 17x en el espacio indicado. Encontrará el número de serie en una etiqueta adhesiva en la parte posterior.

Número de serie _____

Contenido del paquete y accesorios

Antes de instalar la unidad, compruebe que el paquete contiene los elementos que se enumeran a continuación. Si falta alguna pieza, póngase en contacto con el distribuidor de Garmin inmediatamente.

Paquete estándar

- Antena GPS 17x
- Soporte de montaje en superficie
- Soporte de montaje en polo
- Soporte de montaje bajo cubierta
- Componentes de montaje (tornillos y almohadillas adhesivas)
- Conector en T NMEA 2000 y terminadores
- Cable de caída de voltaje NMEA 2000 de 6,5 pies (2 m)
- Instrucciones de instalación

Herramientas necesarias

- Taladro
- Broca: orificios guía del montaje en superficie (consulte tabla)
- Broca: 3/4 pulg. (19 mm): orificio del cable de montaje en polo
- Broca de paleta: 1 pulg. (25 mm), orificio del cable de montaje en superficie
- Destornillador: tornillos de montaje en superficie
- Agujereador y martillo (para marcar los orificios guía del montaje en superficie)
- Broca avellanadora (para montar sobre fibra de vidrio)
- Sellador marino (para algunas opciones de montaje)

Accesorios opcionales

- Componentes de red NMEA 2000 adicionales

| Materiales | Grosor de los materiales (pulg.) | Grosor de los materiales (mm) | Tamaño del orificio (pulg.) | Tamaño del orificio (mm) | Tamaño del orificio (número de broca) |
|----------------------------------------------------------------------------------------------------|----------------------------------|-------------------------------|-----------------------------|--------------------------|---------------------------------------|
| Aleación de aluminio | de 1/32 a 5/64 | de 0,76 a 2,03 | 0,128 | 3,25 | 30 |
| | de 3/32 a 3/8 | de 2,28 a 9,52 | 0,147 | 3,73 | 26 |
| Fibra de vidrio: todos los grosores | | | 0,140 | 3,56 | 28 |
| Plástico de alta densidad: todos los grosores | | | 0,125 | 3,17 | 1/8 |
| Contrachapado (con impregnación de resina). Se recomienda la instalación a cargo de un profesional | | | 0,144 | 3,66 | 27 |

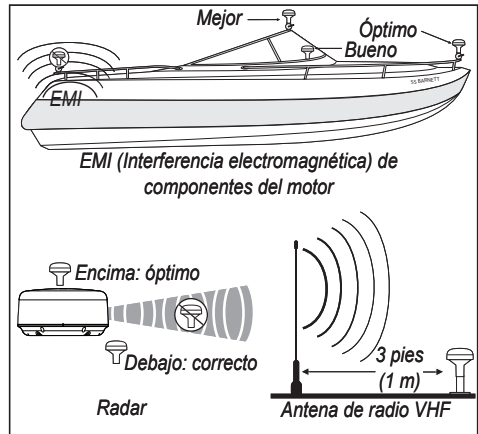
Tabla de tamaños de orificios guía

Paso 1: monte la antena GPS 17x

Puede montar la antena GPS 17x en una superficie, acoplándola a un soporte para navegación en polo estándar con tubo roscado de diámetro exterior de 1 pulg. (14 roscas por pulgada, no incluido), o incluso instalar la antena bajo fibra de vidrio.

Escoja una ubicación apropiada en su embarcación para la antena GPS 17x. Para garantizar la mejor recepción, monte la antena GPS 17x en una ubicación que permita una vista clara y sin obstrucciones del cielo en todas las direcciones.

- No monte la antena GPS 17x donde haya sombras producidas por la superestructura de la embarcación, una antena con cúpula de radar o un mástil.
- En un barco de vela, no monte la antena GPS 17x en lo alto del mástil para evitar lecturas de velocidad inapropiadas provocadas por un exceso de escora.
- La antena GPS 17x proporciona lecturas más estables cuando se coloca más cerca del nivel del agua.
- **Monte la antena GPS 17x como mínimo a 3 pies (1 m) y preferiblemente por encima del recorrido de cualquier haz de radar o una antena de radio VHF.**



Consideraciones sobre la colocación de la antena GPS 17x

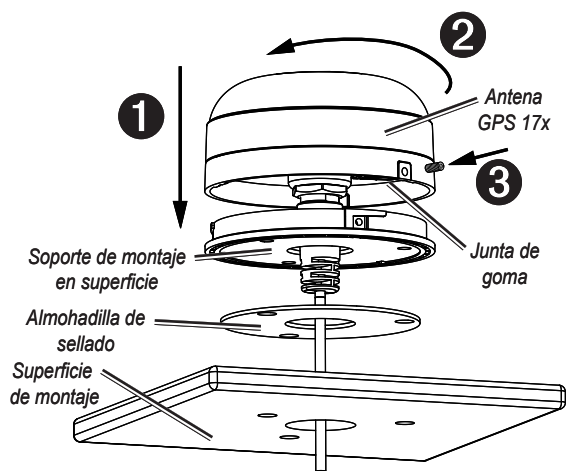
Fije la antena temporalmente en la ubicación que desee y compruebe que funciona correctamente. Si se produce alguna interferencia con otros componentes electrónicos, pruebe en una ubicación diferente. Cuando compruebe que funciona correctamente, monte la antena de forma permanente.

Montaje en superficie de la antena GPS 17x

- 1 Utilice el soporte de montaje en superficie como plantilla de montaje.
 - Con un agujereador, marque la ubicación de los tres tornillos en la superficie.
 - Trace con un lápiz el orificio del cable en el centro del soporte.
 - Ponga el soporte de montaje en superficie a un lado. No realice la perforación a través del soporte de montaje en superficie.
- 2 Utilice la tabla de brocas ([página 25](#)), para seleccionar la broca apropiada para su superficie de montaje y perfore los tres orificios guía.

NOTA: si monta la antena GPS 17x en fibra de vidrio, es recomendable que utilice una broca avellanadora para perforar un espacio de escariado a través de la parte superior (pero no más allá) de la capa de gelcoat. Así evitará que se agriete la capa de gelcoat cuando se ajusten los tornillos.

- 3 Utilice una broca de paleta de 1 pulg. (25 mm) para realizar el orificio del cable en el centro.
- 4 Coloque la almohadilla de sellado en el fondo del soporte de montaje en superficie. Asegúrese de que los orificios están alineados.
- 5 Utilice los tornillos M4 suministrados para fijar el soporte de montaje a la superficie donde instalará la unidad.
- 6 Pase el cable NMEA 2000 a través del orificio para el cable de 1 pulg. (25 mm) y conéctelo a la antena GPS 17x.



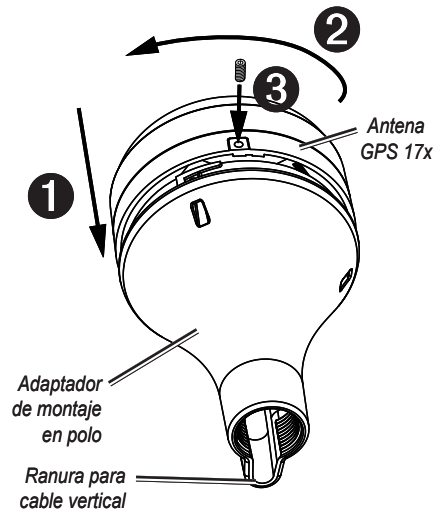
- 7 Compruebe que la junta grande está colocada en el fondo de la antena GPS 17x. Coloque la antena en el soporte de montaje en superficie 1 y gírela en el sentido de las agujas del reloj para ajustarla en su sitio 2.
- 8 Asegure la antena al soporte de montaje con el juego de tornillos M3 suministrado 3.
- 9 Dirija el cable NMEA 2000 lejos de fuentes de interferencia electrónica y conéctelo a su red NMEA 2000.

Montaje en polo de la antena GPS 17x

Con el adaptador de montaje en polo acoplado a la antena GPS 17x, puede instalar la antena GPS 17x en polo estándar con tubo roscado de diámetro exterior de 1 pulg. (14 roscas por pulgada, no incluido). Puede pasar el cable NMEA 2000 a través del polo o por fuera del polo.

Para montar la antena GPS 17x con el cable fuera del polo:

1. Pase el cable de caída de voltaje NMEA 2000 a través del adaptador de montaje en polo y coloque el cable en la ranura vertical a lo largo de la base del adaptador de montaje en polo.
2. Enrosque el adaptador de montaje en un soporte para navegación en polo estándar con tubo roscado de diámetro exterior de 1 pulg. (14 roscas por pulgada, no incluido). No atornille el adaptador en exceso.
3. Conecte el cable de caída NMEA 2000 a la antena GPS 17x.
4. Coloque la antena GPS 17x en el adaptador de montaje en polo ❶ y gírela en el sentido de las agujas del reloj para ajustarla en su sitio ❷.
5. Fije la antena al adaptador con el juego de tornillos M3 suministrado ❸.
6. (Opcional) Con la antena GPS 17x instalada en la base del polo, rellene el espacio sobrante en la ranura del cable vertical con sellador marino.
7. Acople el soporte para navegación al casco si no está ya acoplado.
8. Dirija el cable lejos de fuentes de interferencia electrónica y conéctelo a su red NMEA 2000.



Para montar la antena GPS 17x con el cable a través del polo:

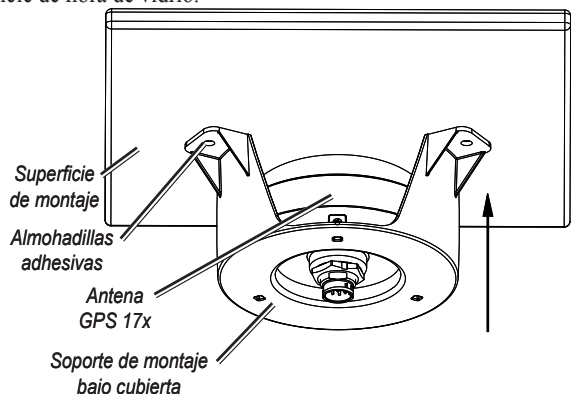
1. Coloque un soporte para navegación en polo estándar con tubo roscado de diámetro exterior de 1 pulg. (14 roscas por pulgada, no incluido) en la ubicación deseada y marque el centro aproximado del polo.
2. Perfore un orificio con una broca de 3/4 pulg. (19 mm) para que pase el cable.
3. Fije el soporte para navegación a la embarcación.
4. Enrosque el adaptador de montaje en polo en el polo. No atornille el adaptador en exceso.
5. Pase el cable de caída de voltaje NMEA 2000 a través del polo y conéctelo a la antena GPS 17x.
6. Coloque la antena GPS 17x en el adaptador de montaje en polo ❶ y gírela en el sentido de las agujas del reloj para ajustarla en su sitio ❷.
7. Fije la antena al adaptador con el juego de tornillos M3 suministrado ❸.
8. (Opcional) Con la antena GPS 17x instalada en la base del polo, rellene la ranura del cable vertical con sellador marino.
9. Dirija el cable lejos de fuentes de interferencia electrónica y conéctelo a su red NMEA 2000.

Montaje bajo cubierta de la antena GPS 17x

La antena GPS 17x puede montarse bajo una superficie de fibra óptica con las almohadillas adhesivas suministradas. La antena GPS 17x no capta señales de satélite a través del metal. Sólo puede usar el montaje bajo cubierta debajo de una superficie de fibra de vidrio.

1. Determine la ubicación de la superficie de fibra de vidrio donde desea montar la antena GPS 17x.
2. Coloque las almohadillas adhesivas en el soporte de montaje bajo cubierta.

Hay agujeros en el soporte de montaje bajo cubierta que puede utilizar para fijarlo con tornillos a la superficie de montaje. Garmin no recomienda fijar el soporte de montaje bajo cubierta a la superficie mediante tornillos, ya que es probable que los tornillos atraviesen la parte superior de la superficie de montaje. Si decide utilizar tornillos, hágalo con extrema precaución.



- Coloque la antena GPS 17x en el soporte de montaje bajo cubierta.
- Adhiera el soporte de montaje bajo cubierta a la superficie de montaje.
- Conecte el cable de caída NMEA 2000 a la antena GPS 17x.
- Dirija el cable lejos de fuentes de interferencia electrónica y conéctelo a su red NMEA 2000.

Paso 2: conecte la antena GPS 17x a su red NMEA 2000

La antena GPS 17x se suministra con un conector en T NMEA 2000 y un cable de caída de voltaje NMEA 2000. Estos dos componentes le permitirán conectar la antena GPS 17x a su red NMEA 2000 actual. Si no cuenta ya con una red NMEA 2000 tendrá que instalar una en la embarcación. Para más información sobre NMEA 2000, visite www.garmin.com.

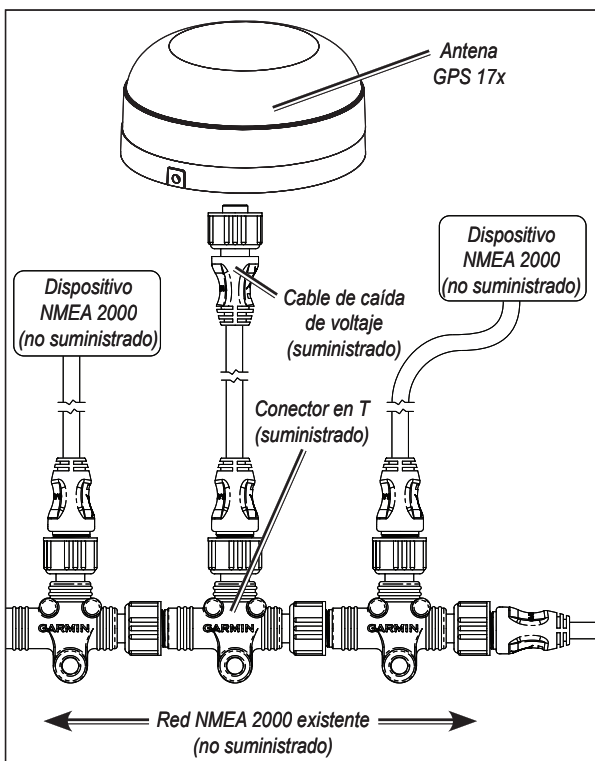
Para conectar la antena GPS 17x a su red NMEA 2000 existente:

- Decida cuál es el lugar adecuado para conectar la antena GPS 17x a su cable principal NMEA 2000 existente.
- Desconecte un lado de un conector en T NMEA 2000 del cable principal más cercano al lugar donde usted desee conectar la antena GPS 17x.

Si necesita prolongar el cable principal NMEA 2000, conecte un cable de extensión NMEA 2000 apropiado (no suministrado) al lado del conector en T que ha desconectado.

- Conecte el conector en T suministrado al cable principal NMEA 2000.
- Pase el cable de caída de voltaje de la antena GPS 17x a la parte superior del conector en T que agregó a la red NMEA 2000.

Si el cable de caída de voltaje no es lo suficientemente largo, puede añadir una extensión de hasta 13 pies (4 m). Si necesita más cable, añada una extensión al cable principal NMEA 2000, siguiendo la normativa NMEA 2000.



Paso 3: actualización del trazador de navegación

Para garantizar la compatibilidad con la antena GPS 17x, actualice su trazador de navegación Garmin con la versión más reciente del software. Para obtener más información, visite <http://www8.garmin.com/support/download.jsp>.

Especificaciones

Físicas

Dimensiones: 3 ¹⁹/₃₂ pulg. (91,6 mm) de diámetro ×
1 ¹⁵/₁₆ pulg. (49,5 mm) de alto

Peso: 7,1 oz. (201 g)

Cable de caída de voltaje NMEA 2000: 19 pies,
8 pulg. (6 m)

Rango de temperaturas: -22 °F (-30 °C) a
176 °F (80 °C)

Carcasa: aleación de plástico totalmente
sellada y de alta resistencia a
los impactos, resistente al agua
conforme a las normas IEC 529
IPX7

Encendido

Fuente de alimentación: 9–16 V CC irregular

Toma de corriente: 40 mA a 12 V CC

Número de equivalencia de carga (LEN) NMEA 2000:
1 (100 mA)

Precisión

GPS: <33 pies (10 metros) 95% típica

DGPS: 10–16 pies (3–5 m) 95% típica
(precisión WAAS/EGNOS.)

Velocidad: 0,05 metros/seg en estado estable

Información PGN de NMEA 2000

| Transmitir | | Recibir | |
|------------|--------------------------------------------------------|---------|--------------------------------------------------------|
| 059392 | Confirmación de ISO | 059392 | Confirmación de ISO |
| 060928 | Solicitud de dirección de ISO | 059904 | Solicitud de ISO |
| 126208 | Grupo de funciones NMEA Comando/Solicitar/Confirmar | 060928 | Solicitud de dirección de ISO |
| 126464 | Grupo de funciones Transmitir/ Recibir lista PGN | 126208 | Grupo de funciones NMEA Comando/Solicitar/Confirmar |
| 126992 | Hora y fecha del sistema | | |
| 126996 | Información del producto | | |
| 129025 | Posición - Actualización rápida | | |
| 129026 | COG y SOG - Actualización rápida | | |
| 129029 | Datos de posición GNSS | | |
| 129539 | DOP de GNSS | | |
| 129540 | Satélites GNSS a la vista | | |



La antena GPS 17x cuenta con la certificación NMEA 2000

Declaración de conformidad (DoC)

Por la presente, Garmin declara que esta antena GPS 17x cumple con los requisitos esenciales y otras disposiciones relevantes de la Directiva 1999/5/CE.



Para ver la Declaración de conformidad completa, visite el sitio Web de Garmin correspondiente al producto de Garmin específico: www.garmin.com/products/gps17x/. Haga clic en **Manuals** y, a continuación, seleccione el enlace **Declaration of Conformity**.

Acuerdo de licencia de software

AL UTILIZAR LA ANTENA GPS 17x, SE COMPROMETE A RESPETAR LAS CONDICIONES DEL SIGUIENTE ACUERDO DE LICENCIA DE SOFTWARE. LEA ESTE ACUERDO ATENTAMENTE.

Garmin le concede una licencia limitada para utilizar el software incluido en este dispositivo (el “Software”) en formato binario ejecutable durante el uso normal del producto. La titularidad, los derechos de propiedad y los derechos de propiedad intelectual del Software seguirán perteneciendo a Garmin.

Usted reconoce que el Software es propiedad de Garmin y que está protegido por las leyes de propiedad intelectual de los Estados Unidos y tratados internacionales de copyright. También reconoce que la estructura, la organización y el código del Software son secretos comerciales valiosos de Garmin y que el Software en su formato de código fuente es un secreto comercial valioso de Garmin. Por la presente se compromete a no descompilar, desmontar, modificar, invertir el montaje, utilizar técnicas de ingeniería inversa o reducir a un formato legible para las personas el Software o cualquier parte de éste o a crear cualquier producto derivado a partir del Software. Asimismo, se compromete a no exportar ni reexportar el Software a ningún país que contravenga las leyes estadounidenses de control de las exportaciones.

ES



© 2008 Garmin Ltd. o sus subsidiarias

Garmin International, Inc.
1200 East 151st Street, Olathe, Kansas 66062, EE.UU.

Garmin (Europe) Ltd.
Liberty House, Hounslow Business Park, Southampton, Hampshire, SO40 9RB Reino Unido

Garmin Corporation
No. 68, Jangshu 2nd Road, Shijr, Taipei County, Taiwán

www.garmin.com

Número de publicación 190-00886-90 Rev. B



GPS 17x NMEA 2000® Installationsvejledning

Den højfølsomme GPS-antenne Garmin GPS 17x NMEA 2000 leverer oplysninger om position til dit eksisterende NMEA 2000-netværk. Hvis du ikke har et eksisterende NMEA 2000®-netværk på båden, skal du installere et. For yderligere oplysninger om NMEA 2000 henvises til www.garmin.com.

GPS 17x-antennen skal være installeret korrekt ifølge nedenstående vejledning. Du skal bruge korrekte bolte, værktøj og monteringsudstyr. Dette er anført under hver sektion. Delene kan fås hos de fleste forhandlere af maritimt udstyr. Bær beskyttelsesbriller, høreværn og støvmaske, når du borer, skærer eller sliber. Når du borer eller skærer, skal du altid kontrollere, hvad der er på den anden side af overfladen.

Hvis du får problemer med at installere enheden, skal du kontakte en professionel installatør eller Garmins produktsupport på tlf. (+1) 913 397 8200 eller (+1) 800 800 1020. Se www.garmin.com/support/ for yderligere oplysninger. I Europa skal du kontakte Garmin (Europe) Ltd. på tlf. nr. (+44) 0870 8501241.

ADVARSEL: Se guiden *Vigtige oplysninger om sikkerhed og produkter* i æsken med produktet for at se produktadvarsler og andre vigtige oplysninger.

Produktregistrering

Hjælp os med at yde dig bedre support ved at udføre vores onlineregistrering på adressen www.garmin.com/registration/.

Skriv serienummeret på din GPS 17x på linjen herunder, så du har det, hvis du får brug for det i fremtiden. Nummeret står på et klistermærke på bagsiden af enheden.

Serienummer

Pakkeliste og tilbehør

Før du installerer din enhed, bør du kontrollere, at nedenstående dele er med i pakken. Hvis der mangler noget, skal du straks kontakte din Garmin-forhandler.

Standardpakke

- GPS 17x-antenne
- Planmonteringsbeslag
- Beslag til stagemontering
- Beslag til skjult montering
- Monteringsudstyr (skruer og selvklæbende puder)
- NMEA 2000 T-stik og terminatorer
- NMEA 2000 dropkabel 6,5 ft. (2 m)
- Installationsvejledning

Nødvendigt værktøj

- Bor
- Borehoved - forboringer til planmontering (se tabellen)
- Borehoved - 3/4" (19 mm) kabelhul til stagemontering
- Hulsav, 1" (25 mm) - kabelhul til planmontering
- Skruetrækker - skruer til planmontering
- Kørner og hammer (til markering af forboringshuller ved planmontering)
- Forsænkningshoved (ved montering på fiberglas)
- Marineforsøgler (til visse monteringsløsninger)

Ekstraudstyr

- Ekstra NMEA 2000-netværkskomponenter

| Materiale | Materialetykkelse (") | Materialetykkelse (mm) | Hulstørrelse (") | Hulstørrelse (mm) | Hulstørrelse (Bornummer) |
|----------------------------------------------------------------------|-----------------------|------------------------|------------------|-------------------|--------------------------|
| Plade af aluminiumlegering | fra 1/32 til 5/64 | fra 0,76 til 2,03 | 0,128 | 3,25 | 30 |
| | fra 3/32 til 3/8 | fra 2,28 til 9,52 | 0,147 | 3,73 | 26 |
| Fiberglas - alle tykkelser | | | 0,140 | 3,56 | 28 |
| Kraftigt plastik - alle tykkelser | | | 0,125 | 3,17 | 1/8 |
| Krydsfiner (harpiksimprægneret) - Installation ved fagmand anbefales | | | 0,144 | 3,66 | 27 |

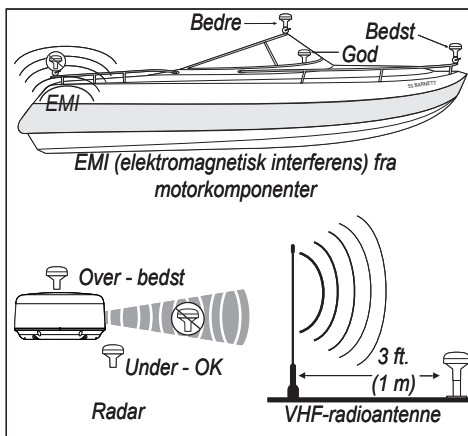
Tablet over forboringshuller

Trin 1: Monter GPS 17x-antennen

GPS 17x-antennen kan planmonteres ved at fastgøre den til en 1" OD-standardmarineholder med gevindstage (14 gevind pr. tomme - medfølger ikke), eller du kan montere antennen under fiberglas.

Vælg en passende placering på din båd til GPS 17x-antennen. Du sikrer den bedste modtagelse ved at montere GPS 17x-antennen et sted, hvor der er klart og frit udsyn til himmelen i alle retninger.

- Undgå at montere GPS 17x-antennen, hvor der er skygge fra bådens overbygning, en radarantenne eller en mast.
- På sejlbåde bør du ikke montere antennen højt oppe i masten. Dermed undgås fejlagtige hastigheds aflæsninger som følge af, at båden krænger voldsomt.
- Jo tættere på vandet GPS 17x-antennen er placeret, jo bedre aflæsninger vil den give.
- **Monter GPS 17x-antennen mindst 3 ft. (1 m) væk fra (helst over) radarstrålers og VHF-radioantenners bane.**



Hensyn ved placering af GPS 17x

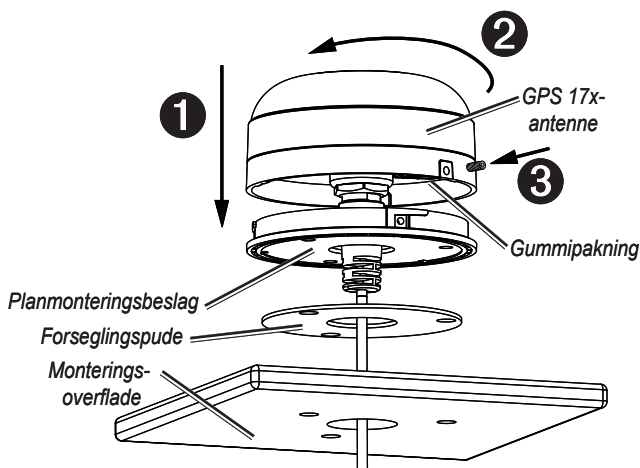
Fastgør antennen midlertidigt, der hvor du ønsker at montere den, og kontroller, om den fungerer korrekt. Hvis du oplever interferens med andre elektriske apparater, skal du finde en ny placering. Når antennen fungerer korrekt, skal du fastgøre den permanent.

Planmontering af GPS 17x-antennen

- 1 Brug planmonteringsbeslaget som monteringskabelon.
 - Brug en kørner til at markere placeringen af de tre skruer på overfladen.
 - Brug en blyant til at markere hullet til kablet midt i beslaget.
 - Læg planmonteringsbeslaget væk. Brug ikke planmonteringsbeslaget til at bore igennem.
- 2 Vælg et borehoved, der passer til monteringsfladen, ud fra borehovedoversigten (side 31), og lav de tre forboringshuller.

BEMÆRK: Hvis du monterer GPS 17x på fiberglas, anbefales det, at du bruger et forsænkingsbor til at udbore en frigangsforsænkning i det øverste lag af gelcoat (men ikke dybere). Det vil medvirke til, at gelcoatlaget ikke revner, når du strammer skrueerne.

- 3 Brug en 1" (25 mm) hulsav til at save kabelhullet i midten.
- 4 Placer forseglingskiven i bunden af planmonteringsbeslaget. Sørg for, at skruehullerne er ud for hinanden.
- 5 Brug de medfølgende M4-skruer til at fastgøre planmonteringsbeslaget til monteringsfladen.
- 6 Før NMEA 2000-kablet gennem 1"-kabelhullet, og slut det til GPS 17x.



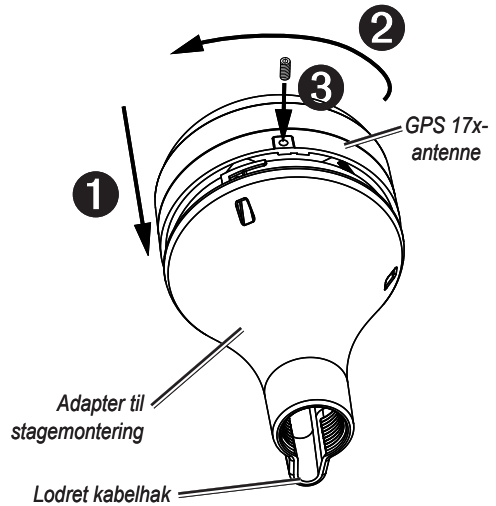
- 7 Sørg for, at den store pakning er på plads nederst på GPS 17x-antennen. Sæt antennen på planmonteringsbeslaget ①, og drej den med uret for at låse den på plads ②.
- 8 Fastgør antennen til monteringsbeslaget med den medfølgende M3 sætskrue ③.
- 9 Før NMEA 2000-kablet væk fra kilder med elektronisk interferens, og slut det til dit NMEA 2000-netværk.

Stagemontering af GPS 17x-antennen

Når adapteren til stagemontering sidder på GPS 17x, kan du montere GPS 17x på en 1" OD-standardmarineholder med gevindstage (14 gevind pr. tomme - medfølger ikke). NMEA 2000-kablet kan føres igennem monteringen eller uden på monteringen.

Sådan monterer du GPS 17x med kabelføring uden på monteringen:

1. Før NMEA 2000-dropkablet gennem adapteren til stagemontering, og placer kablet i det lodrette hul langs adapterens base.
2. Sæt adapteren til stagemontering på en 1" OD-standardmarineholder med gevindstage (14 gevind pr. tomme - medfølger ikke). Stram ikke adapteren for hårdt.
3. Tilslut NMEA 2000-dropkablet til GPS 17x-antennen.
4. Sæt GPS 17x-antennen på adapteren til stagemontering **1**, og drej den med uret for at låse den på plads **2**.
5. Fastgør antennen til adapteren med den medfølgende M3 sætskrue **3**.
6. (Valgfrit) Når GPS 17x er installeret på stagemonteringen, skal du udfylde det lodrette kabelhak med marineforsegler.
7. Fastgør marineholderen til båden, hvis den ikke allerede er fastgjort.
8. Før kablet væk fra kilder til elektronisk interferens, og slut det til dit NMEA 2000-netværk.



Sådan monterer du GPS 17x med kabelføring igennem stagen:

1. Placer en 1" OD-standardmarineholder med gevindstage (14 gevind pr. tomme - medfølger ikke) på den ønskede placering, og aftegn den omtrentlige midte af stagen.
2. Bor et hul med et 3/4" (19 mm) borehoved til at føre kablet igennem.
3. Fastgør marineholderen til båden.
4. Fastgør adapteren til stagemontering på stagen. Stram ikke adapteren for hårdt.
5. Før NMEA 2000-dropkablet gennem stagen, og slut det til GPS 17x-antennen.
6. Sæt GPS 17x-antennen på adapteren til stagemontering **1**, og drej det med uret, så det låser på plads **2**.
7. Fastgør antennen på adapteren med den medfølgende M3-skrue **3**.
8. (Valgfrit) Når GPS 17x er installeret på stagemonteringen, skal du udfylde det lodrette kabelhak med marineforsegler.
9. Før kablet væk fra kilder med elektronisk interferens, og slut det til dit NMEA 2000-netværk.

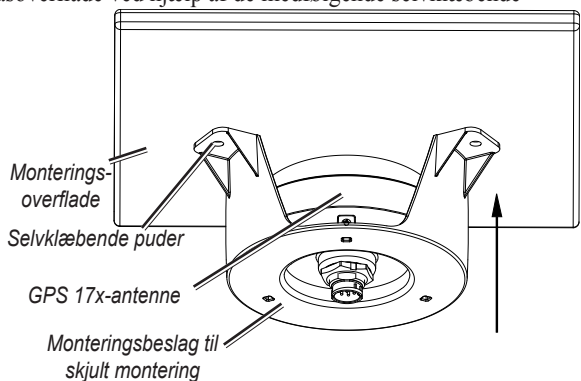
Skjult montering af GPS 17x-antenne

GPS 17x kan monteres under en fiberglasoverflade ved hjælp af de medfølgende selvklæbende puder. GPS 17x kan ikke modtage satellitsignaler gennem metal - du kan kun anvende skjult montering under et fiberglasdække.

1. Beslut, hvor på fiberglasoverfladen GPS 17x skal monteres.
2. Placer de selvklæbende puder på monteringsbeslaget til skjult montering.

Der er huller i monteringsbeslaget til skjult montering, så du kan fastgøre den skjulte montering

til monteringsfladen ved hjælp af skruer. Garmin anbefaler ikke, at man anvender skruer til fastgørelse ved skjult montering, da der er stor sandsynlighed for, at skruerne vil komme ud på den anden side af monteringsfladen. Vær meget forsigtig, hvis du vælger at benytte skruer.



3. Placer GPS 17x i monteringsbeslaget til skjult montering.
4. Fastklæb monteringsbeslaget til monteringsfladen.
5. Tilslut NMEA 2000-dropkablet til GPS 17x.
6. Før kablet væk fra kilder med elektronisk interferens, og slut det til dit NMEA 2000-netværk.

Trin 2: Tilslut GPS 17x-antennen til dit NMEA 2000-netværk

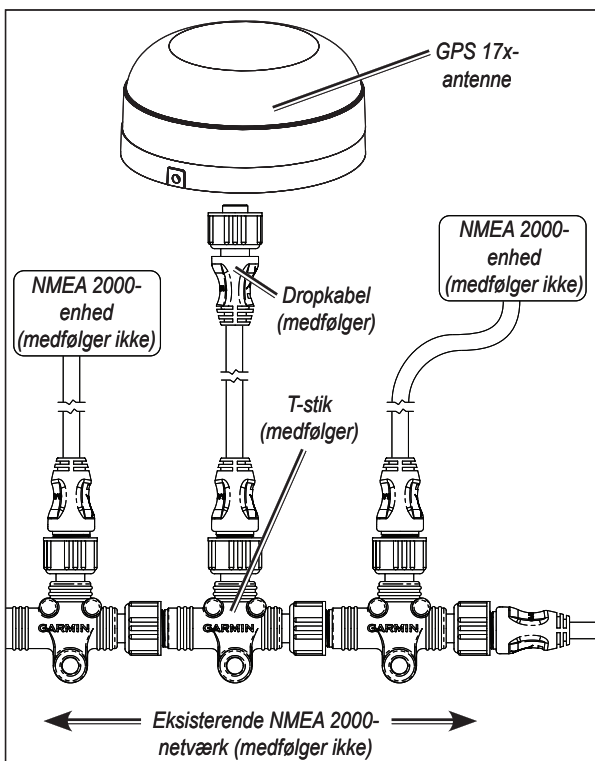
Der følger et NMEA 2000 T-stik og et NMEA 2000-dropkabel med GPS 17x. Du skal bruge disse to komponenter til at forbinde GPS 17x til dit eksisterende NMEA 2000-netværk. Hvis du ikke allerede har et NMEA 2000-netværk, bliver du nødt til at installere et NMEA 2000-netværk på båden. For yderligere oplysninger om NMEA 2000 henvises til www.garmin.com.

Sådan slutes GPS 17x til dit eksisterende NMEA 2000-netværk:

1. Find det rigtige sted at tilslutte GPS 17x til den eksisterende NMEA 2000-samleskinne.
2. Tag den ene side af et NMEA 2000- T-stik ud af den samleskinne, der sidder nærmest det sted, hvor du vil tilslutte GPS 17x-antennen.

Hvis du får brug for at forlænge NMEA 2000-samleskinnen, skal du tilslutte en passende forlængerledning til NMEA 2000-samleskinnen (medfølger ikke) på siden af det T-stik, du har frakoblet.

3. Slut et medfølgende T-stik til NMEA 2000-samleskinnen.
4. Før et medfølgende dropkabel fra GPS 17x-antennen til toppen af T-stikket, der blev tilføjet til NMEA 2000-netværket.



Hvis det medfølgende dropkabel ikke er langt nok, kan du tilføje en dropkabelforlænger på op til 13 ft. (4 m). Hvis du har brug for mere kabel, kan du føje en forlængerledning til NMEA 2000-samleskinnen ud fra retningslinjerne for NMEA 2000.

Trin 3: Opdater din plotter

For at sikre kompatibilitet med GPS 17x-enheden skal du opgradere din Garmin-plotter med den nyeste software. For yderligere oplysninger henvises til <http://www8.garmin.com/support/download.jsp>.

Specifikationer

Fysiske mål: 3 ¹⁹/₃₂" (91,6 mm) diameter ×
1 ¹⁵/₁₆" (49,5 mm) højde

Vægt: 7,1 oz. (201 g)

NMEA 2000-dropkabel: 19ft., 8" (6 m)

Temperaturområde: -22° F (-30° C) til
176° F (80° C)

Hus: Fuldt tætnet, robust
plastlegering,
vandtæt iht.
IEC 529 IPX7-
standarder

Strøm

Kilde til strømtilførsel: 9–16 V jævnstrøm
ikke justeret

Strømtilførsel: 40 mA ved 12 V
jævnstrøm

NMEA 2000 Load Equivalency Number (LEN):
1 (100 mA)

Nøjagtighed

GPS: <33 ft. (10 m) typisk 95%

DGPS: 10–16 ft. (3–5 m) 95% typisk
(WAAS/EGNOS nøjagtighed)

Hastighed: 0,05 m/sek. i stationær tilstand

NMEA 2000 PGN-oplysninger

| Send | | Modtag | |
|--------|--------------------------------------------------------------|--------|-----------------------------------------------------------------|
| 059392 | ISO-bekræftelse | 059392 | ISO-bekræftelse |
| 060928 | ISO-adressekrav | 059904 | ISO-anmodning |
| 126208 | NMEA - Kommando/Anmodning/ Anerkendelse af gruppefunktion | 060928 | ISO-adressekrav |
| 126464 | Send/Modtag gruppefunktion for PGN- oversigt | 126208 | NMEA - Kommando/ Anmodning/Anerkendelse af gruppefunktion |
| 126992 | Systemets klokkeslæt og dato | | |
| 126996 | Produktoplysninger | | |
| 129025 | Position - Hurtig opdatering | | |
| 129026 | COG & SOG - Hurtig opdatering | | |
| 129029 | GNSS-positionsdata | | |
| 129539 | GNSS DOP'er | | |
| 129540 | GNSS-satellitter kan ses | | |



GPS 17x er NMEA 2000-
certificeret

Overensstemmelseserklæring

Garmin erklærer, at denne GPS 17x overholder de essentielle krav og andre relevante dele af direktivet 1999/5/EC.



Her kan du se hele overensstemmelseserklæringen vedr. dit Garmin-produkt: www.garmin.com/products/gps17x/. Klik på **Manuals**, og vælg derefter linket **Declaration of Conformity**.

Softwarelicensaftale

VED AT BRUGE GPS 17x ACCEPTERER DU AT VÆRE BUNDET AF VILKÅRENE OG BETINGELSERNE I DEN FØLGENDE SOFTWARELICENSAFTALE. LÆS DENNE AFTALE GRUNDIGT.

Garmin giver dig en begrænset licens til at bruge softwaren i denne enhed ("Softwaren") i binær udførbar form ved normal brug af produktet. Titel, ejendomsret og intellektuelle ejendomsrettigheder til softwaren forbliver hos Garmin.

Du bekræfter, at softwaren tilhører Garmin og er beskyttet ifølge amerikansk lov om ophavsret og internationale aftaler om ophavsret. Endvidere bekræfter du, at softwarens struktur, organisering og kode er værdifulde forretningshemmeligheder ejet af Garmin, og at softwaren i kildekodeform er en værdifuld forretningshemmelighed, der forbliver Garmins ejendom. Du accepterer, at softwaren eller nogen del af denne ikke må skilles ad, demonteres, modificeres, ommonteres, omstruktureres eller reduceres til læsbar form, og at du ikke må skabe enheder, der er afledt af eller baseret på denne software. Du accepterer, at du ikke må eksportere eller reeksportere softwaren til noget land i strid med USA's love om eksportregulering.

DA



© 2008 Garmin Ltd. eller dets datterselskaber

Garmin International, Inc.
1200 East 151st Street, Olathe, Kansas 66062, USA

Garmin (Europe) Ltd.
Liberty House, Hounslow Business Park, Southampton, Hampshire, SO40 9RB, UK

Garmin Corporation
No. 68, Jangshu 2nd Road, Shijr, Taipei County, Taiwan

www.garmin.com

Delnummer 190-00886-90 Rev. B



Installeringsinstruksjoner for GPS 17x NMEA 2000®

Garmins GPS 17x NMEA 2000 GPS-antenne med høy følsomhet gir posisjonsinformasjon til NMEA 2000-nettverket ditt. Hvis du ikke har et NMEA 2000®-nettverk på båten, må du installere et. Gå til www.garmin.com hvis du vil ha mer informasjon om NMEA 2000.

GPS 17x-antennen må være riktig installert i henhold til de følgende instruksjonene. Du trenger de riktige festene, verktøyene og brakettene som oppgis i hver del. Disse varene er tilgjengelige hos de fleste forhandlere av maritime produkter. Bruk alltid vernebriller, ørebeskyttelse og støvmaske når du borer, skjærer eller sliper. Du må alltid sjekke hva som er på den motsatte siden av overflaten før du begynner å bore eller skjære.

Hvis du opplever problemer med å installere enheten, kan du be en profesjonell montør om hjelp, eller du kan kontakte Garmins kundestøtte på telefon 913/397.8200 eller 800/800.1020. Du finner mer informasjon på www.garmin.com/support/. I Europa kan du kontakte Garmin (Europe) Ltd. på telefon 44/0870.8501241.

ADVARSEL: Se veiledningen *Viktig sikkerhets- og produktinformasjon* som lå i produktesken, for å lese advarsler angående produktet og annen viktig informasjon.

Produktregistrering

Gjør det enklere for oss å hjelpe deg ved å fylle ut den elektroniske registreringen på www.garmin.com/registration/.

Skriv inn GPS 17x-serienummeret i feltet som vises, for fremtidig bruk. Du finner nummeret på et klistremerke på baksiden av enheten.

Serienummer _____

Pakkeliste og tilbehør

Før du installerer enheten, må du kontrollere at pakken inkluderer følgende deler. Hvis det mangler deler, må du øyeblikkelig ta kontakt med Garmin-forhandleren.

Standardpakke

- GPS 17x-antenne
- Overflatemonteringsbrakett
- Brakett for montering på stang
- Brakett for montering under dekk
- Monteringssett (skruer og klebeputer)
- NMEA 2000-T-kontakt og -terminatorer
- NMEA 2000-droppkabel 2 m
- Installeringsinstruksjoner

Nødvendig verktøy

- Bor
- Borbits – styrehull for overflatemontering (se tabell)
- Borbits – 19 mm kabelhull for montering på stang
- Hullsag, 25 mm – kabelhull for overflatemontering
- Skrutrekker – skruer for overflatemontering
- Sentreringskjørner og hammer (for å merke styrehull for overflatemontering)
- Forsenket bits (når du monterer på glassfiber)
- Maritim forsegling (for noen monteringsalternativer)

Valgfritt tilbehør

- Ekstra NMEA 2000-nettverkskomponenter

| Materiale | Materialtykkelse (tommer) | Materialtykkelse (mm) | Hullstørrelse (tommer) | Hullstørrelse (mm) | Hullstørrelse (bornummer) |
|-----------------------------------------------------------------------------------|---------------------------|-----------------------|------------------------|--------------------|---------------------------|
| Platemetall med aluminiums-legering | fra 1/32 til 5/64 | fra 0,76 til 2,03 | 0,128 | 3,25 | 30 |
| | fra 3/32 til 3/8 | fra 2,28 til 9,52 | 0,147 | 3,73 | 26 |
| Glassfiber – alle tykkelser | | | 0,140 | 3,56 | 28 |
| Plast med høy tetthet – alle tykkelser | | | 0,125 | 3,17 | 1/8 |
| Kryssfinér (harpiksimpregnet) – montering av en kvalifisert installatør anbefales | | | 0,144 | 3,66 | 27 |

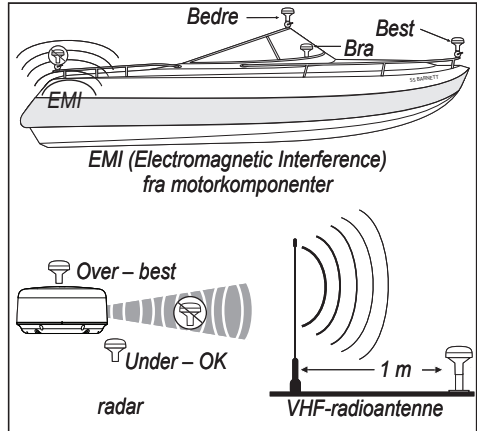
Størrelsestabell for styrehull

Trinn 1: Monter GPS 17x-antennen

Du kan montere GPS 17x-antennen på en overflate, feste den til et standard maritimt gjengangsfeste med en ytre diameter på 1" (14 gjenger per tomme – følger ikke med) eller til og med installere antennen under glassfiber.

Finn en passende plassering for GPS 17x-antennen på båten. Monter GPS 17x-antennen på et sted som har fri og uhindret sikt til himmelen i alle retninger, for å sikre best mulig mottak.

- Ikke monter GPS 17x-antennen på steder der den overskygges av båtenes overbygning, en radomeantenne eller mast.
- På en seilbåt må du unngå å montere GPS 17x-antennen høyt på masten for å unngå unøyaktige hastighetsavlesninger forårsaket av overdreven krenning.
- GPS 17x-antennen leverer mer stabile avlesninger når den er plassert nærmere havnivået.
- **Monter GPS 17x-antennen minst 1 m unna (fortrinnsvis over) banen til en eventuell radarstråle eller en VHF-radioantenne.**



Plasseringshensyn for GPS 17x-antennen

Fest antennen midlertidig på det stedet du vil montere den, og test om den fungerer riktig. Hvis antennen blir forstyrret av annen elektronikk, kan du prøve en annen plassering. Når du har bekreftet at den fungerer riktig, kan du feste antennen permanent.

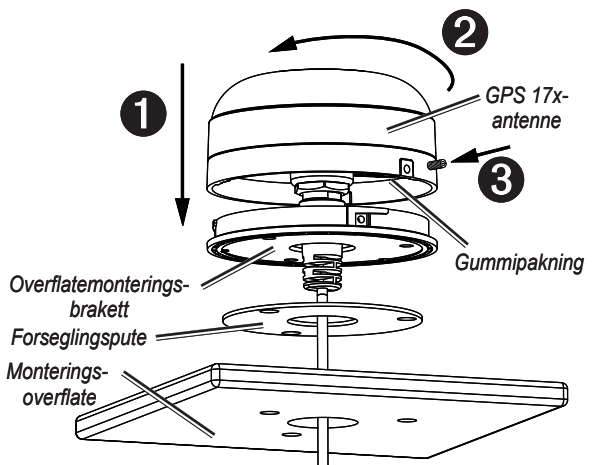
ON

Overflatemontering av GPS 17x-antennen

1. Bruk overflatemonteringsbraketten som mal for monteringen.
 - Bruk en sentringskjerne til å merke de tre skruer plasseringene på overflaten.
 - Bruk en blyant til å tegne kabelhullet i midten på braketten.
 - Sett overflatemonteringsbraketten til side. Ikke bor gjennom overflatemonteringsbraketten.
2. Bruk tabellen for borbiter ([side 37](#)) til å velge riktig borbiter for monteringsoverflaten, og bor de tre styrehullene.

MERK: Hvis du monterer GPS 17x-antennen på glassfiber, anbefales det å bruke en forsenket bits til å bore en klaringsforsenkning gjennom det øverste gelcoat-laget (men ikke dypere). Dette gjør det lettere å unngå sprekker i gelcoat-laget når skruene strammes.

3. Bruk en hullsag på 25 mm til å kutte kabelhullet i midten.
4. Plasser forseglingsputen nederst på overflatemonteringsbraketten. Kontroller at skruer hullene passer.
5. Bruk M4-skrue som følger med, til å feste overflatemonteringsbraketten til monteringsoverflaten.
6. Før NMEA 2000-kabelen gjennom kabelhullet på 25 mm, og koble den til GPS 17x-antennen.



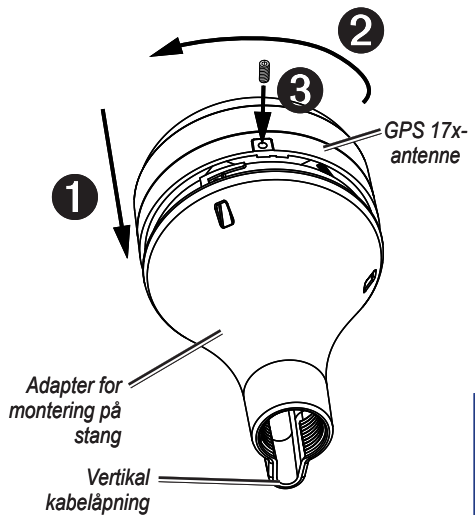
7. Påse at den store pakningen er på plass nederst på GPS 17x-antennen, plasser antennen på overflatemonteringsbraketten ① og vri den med klokken for å låse den på plass ②.
8. Fest antennen til monteringsbraketten med M3-justeringssskruen ③ som følger med.
9. Før NMEA 2000-kabelen bort fra kilder som kan føre til elektronisk interferens, og koble den til NMEA 2000-nettverket.

Montere GPS 17x-antennen på stang

Når du fester adapteren for montering på stang til GPS 17x-antennen, kan du installere GPS 17x-antennen på et standard maritimt gjengestangsfeste med en ytre diameter på 1" (14 gjenger per tomme – følger ikke med). Du kan føre NMEA 2000-kabelen gjennom eller utenfor stangen.

Slik monterer du GPS 17x med kabelen utenfor stangen:

1. Før NMEA 2000-droppkabelen gjennom adapteren for montering på stang, og plasser kabelen i den vertikale åpningen langs sokkelen på adapteren for montering på stang.
2. Tre adapteren for montering på stang på et standard maritimt gjengestangsfeste med en ytre diameter på 1" (14 gjenger per tomme – følger ikke med). Ikke stram til adapteren for mye.
3. Koble NMEA 2000-droppkabelen til GPS 17x-antennen.
4. Plasser GPS 17x-antennen på adapteren for montering på stang ❶, og vri den med klokken for å låse den på plass ❷.
5. Fest antennen til adapteren med M3-justeringsskruen ❸ som følger med.
6. (Valgfritt) Når du har installert GPS 17x-antennen på festet til stangen, fyller du det gjenstående mellomrommet ved den vertikale kabelåpningen med maritim forsegling.
7. Fest det maritime festet til båten hvis det ikke allerede er festet.
8. Før kabelen bort fra kilder som kan føre til elektronisk interferens, og koble den til NMEA 2000-nettverket.



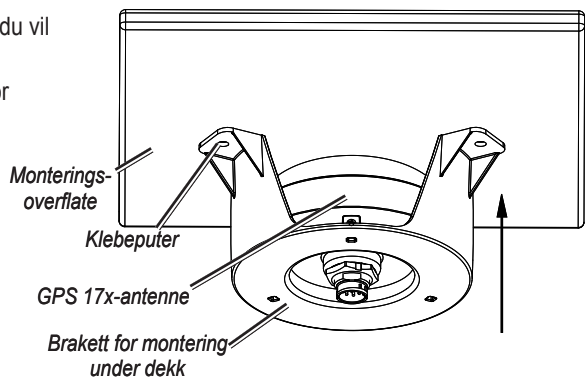
Slik monterer du GPS 17x-antennen med kabelen trukket gjennom stangen:

1. Plasser et standardisert maritimt gjengestangsfeste med en ytre diameter på 1" (14 gjenger per tomme – følger ikke med) der du ønsker å feste det, og merk av midten på stangen.
2. Bor et hull med en borbitt på 19 mm slik at kabelen kan føres gjennom.
3. Fest det maritime festet til båten.
4. Tre adapteren for montering på stang på stangen. Ikke stram til adapteren for mye.
5. Før NMEA 2000-droppkabelen gjennom stangen, og koble den til GPS 17x-antennen.
6. Plasser GPS 17x-antennen på adapteren for montering på stang ❶, og vri den med klokken for å låse den på plass ❷.
7. Fest antennen til adapteren med M3-justeringsskruen ❸ som følger med.
8. (Valgfritt) Når du har installert GPS 17x-antennen på festet til stangen, fyller du den vertikale kabelåpningen med maritim forsegling.
9. Før kabelen bort fra kilder som kan føre til elektronisk interferens, og koble den til NMEA 2000-nettverket.

Montere GPS 17x-antennen under dekk

GPS 17x-antennen kan monteres under en glassfiberoverflate ved hjelp av klebeputene som følger med. GPS 17x-antennen kan ikke innhente satellittsignaler gjennom metall – du kan kun montere under dekk hvis overflaten er av glassfiber.

1. Finn ut hvor på glassfiberoverflaten du vil montere GPS 17x-antennen.
2. Plasser klebeputene på braketten for montering under dekk.



Det er hull i braketten for montering under dekk som kan brukes til å feste braketten til monteringsoverflaten med skruer. Garmin anbefaler ikke å feste braketten for montering under dekk til overflaten med skruer. Årsaken er at skruene sannsynligvis vil stikke ut fra toppen på monteringsoverflaten. Hvis du velger å bruke skruer, må du være svært forsiktig.

3. Plasser GPS 17x-antennen i braketten for montering under dekk.
4. Kleb braketten for montering under dekk fast til monteringsoverflaten.
5. Koble NMEA 2000-droppkabelen til GPS 17x-antennen.
6. Før kabelen bort fra kilder som kan føre til elektronisk interferens, og koble den til NMEA 2000-nettverket.

Trinn 2: Koble GPS 17x-antennen til NMEA 2000-nettverket

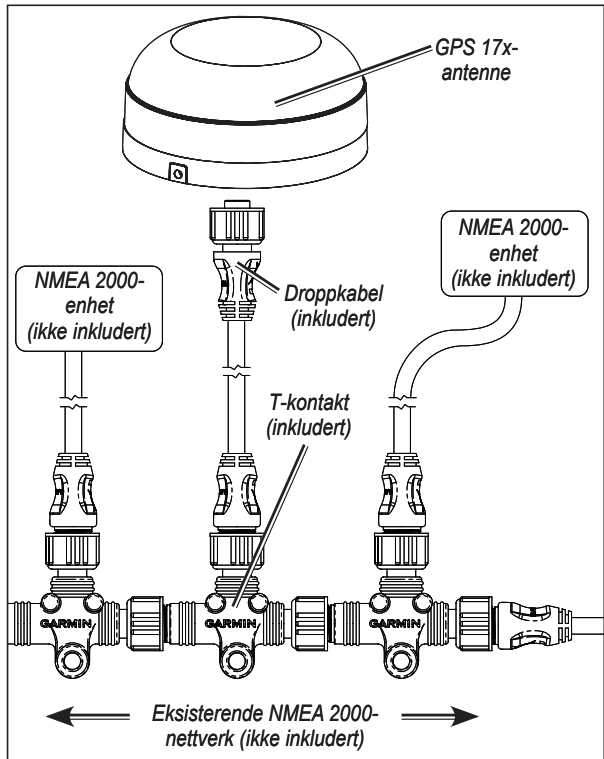
Det følger en NMEA 2000 T-kontakt og en NMEA 2000-droppkabel med GPS 17x-antennen. Du bruker disse to komponentene til å koble GPS 17x-antennen til det eksisterende NMEA 2000-nettverket. Hvis du ikke har et NMEA 2000-nettverk, må du installere et NMEA 2000-nettverk på båten. Gå til www.garmin.com hvis du vil ha mer informasjon om NMEA 2000.

Slik kobler du GPS 17x-antennen til det eksisterende NMEA 2000-nettverket:

1. Finn ut hvor du vil koble GPS 17x-antennen til det eksisterende NMEA 2000-basisnettverket.
2. Koble den ene enden av NMEA 2000 T-kontakten fra basisnettverket som er nærmest det stedet du vil koble til GPS 17x-antennen.

Hvis du må forlenge NMEA 2000-basisnettverket, kobler du en egnet skjøteledning for NMEA 2000-basisnettverket (følger ikke med) til T-kontakten du koblet fra.

3. Koble en innebygd T-kontakt til NMEA 2000-basisnettverket.
4. Før en innebygd droppkabel fra GPS 17x-antennen til toppen på T-kontakten som du la til i NMEA 2000-nettverket.



Hvis den innebygde droppkabelen ikke er lang nok, kan du forlenge droppkabelen med opptil 4 meter. Hvis du trenger lengre kabel, forlenger du NMEA 2000-basisnettverket i henhold til retningslinjene for NMEA 2000.

Trinn 3: Oppdatere kartplotteren

Du er sikret kompatibilitet med GPS 17x-antennen hvis du oppgraderer Garmin-kartplotteren med den nyeste programvaren. Gå inn på <http://www8.garmin.com/support/download.jsp> hvis du vil ha mer informasjon.

Spesifikasjoner

Fysiske

Dimensjoner: 91,6 mm diameter ×
49,5 mm høyde

Vekt: 201 g

NMEA 2000-droppkabel: 6 m

Temperaturområde: -30 °C til 80 °C

Dekselmateriale: fullstendig
tett, støtsikker
plastlegering,
vanntett i henhold
til IEC 529 IPX7-
standarder

Strøm

Strøminntakskilde: 9–16 VDC uregulert

Inntaksspenning: 40 mA ved 12 VDC

LEN-nummer (Load Equivalency Number)

for NMEA 2000: 1 (100 mA)

Nøyaktighet

GPS: < 10 m, 95 % sannsynlighet

DGPS: 3–5 m, 95 % sannsynlighet
(WAAS-/EGNOS-nøyaktighet)

Hastighet: 0,05 meter/sek i stabil tilstand

NMEA 2000 PGN-informasjon

| Send | | Motta | |
|--------|--------------------------------------------------|--------|--------------------------------------------------|
| 059392 | ISO-bekreftelse | 059392 | ISO-bekreftelse |
| 060928 | ISO-adressekrav | 059904 | ISO-anmodning |
| 126208 | NMEA – kommander/forespør/bekreft gruppefunksjon | 060928 | ISO-adressekrav |
| 126464 | Send/motta PGN-listegruppefunksjon | 126208 | NMEA – kommander/forespør/bekreft gruppefunksjon |
| 126992 | Systemklokkeslett og -dato | | |
| 126996 | Produktinformasjon | | |
| 129025 | Posisjon – rask oppdatering | | |
| 129026 | COG & SOG – rask oppdatering | | |
| 129029 | GNSS-posisjonsdata | | |
| 129539 | GNSS DOPer | | |
| 129540 | GNSS-sat. innen synsvidde | | |



GPS 17x-antennen er
NMEA 2000-sertifisert

NO

Samsvarserklæring

Garmin erklærer herved at denne GPS 17x-antennen samsvarer med hovedkravene og andre relevante bestemmelser i direktivet 1999/5/EF.



Hvis du vil lese den fullstendige samsvarserklæringen, kan du gå til Garmins webområde for ditt Garmin-produkt: www.garmin.com/products/gps17x/.

Klikk på **Manuals (brukerveiledninger)**, og velg deretter **Declaration of Conformity (samsvarserklæring)**.

Lisensavtale for programvare

VED Å BRUKE GPS 17x GODTAR DU AT DU ER FORPLIKTET TIL FØLGENDE VILKÅR OG BETINGELSER I LISENSAVTALEN FOR PROGRAMVAREN. LES DENNE AVTALEN NØYE.

Garmin gir deg en begrenset lisens til bruk av programvaren som følger med denne enheten ("Programvaren"), i en binær kjørbær form ved normal bruk av produktet. Eiendomsrett og immaterielle rettigheter i og til Programvaren forblir hos Garmin.

Du er innforstått med at Programvaren eies av Garmin og er beskyttet i henhold til USAs opphavsretslover og internasjonale avtaler om opphavsrett. Du er videre innforstått med at strukturen, organiseringen og kodingen i Programvaren er verdifulle forretningshemmeligheter tilhørende Garmin, og at Programvaren i kildekodeform forblir en verdifull forretningshemmelighet som tilhører Garmin. Du samtykker i at du ikke skal dekompile, demontere, endre, foreta en omvendt utvikling av eller redusere Programvaren eller deler av den til lesbar form, eller lage avledede produkter basert på Programvaren. Du samtykker i at du ikke skal eksportere eller reeksportere Programvaren til et annet land i strid med USAs eksportlover.

NO



© 2008 Garmin Ltd. eller datterselskapene

Garmin International, Inc.
1200 East 151st Street, Olathe, Kansas 66062, USA

Garmin (Europe) Ltd.
Liberty House, Hounsdown Business Park, Southampton, Hampshire, SO40 9RB, Storbritannia

Garmin Corporation
No. 68, Jangshu 2nd Road, Shijr, Taipei County, Taiwan

www.garmin.com

Delenummer 190-00886-90 Rev. B



GPS 17x NMEA 2000® - Installationsinstruktioner

Den högkänsliga Garmin GPS 17x NMEA 2000 GPS-antennen tillhandahåller positionsinformation till ditt befintliga NMEA 2000-nätverk. Om du inte har ett befintligt NMEA 2000®-nätverk på båten måste du installera ett. Mer information om NMEA 2000 finns på www.garmin.com.

GPS 17x-antennen måste installeras i enlighet med följande instruktioner. Du behöver de fästen och verktyg som anges i varje avsnitt. De här delarna finns hos de flesta återförsäljare av marina produkter. Använd alltid skyddsglasögon, hörselskydd och andningsskydd när du borrar, skär eller slipar. Kontrollera alltid vad som finns bakom ytan som du ska borra eller skära i.

Om du upplever problem med att installera enheten kontaktar du en professionell installatör och ber om hjälp eller (om du bor i USA) kontaktar du Garmins produktsupport på telefon 913/397.8200 eller 800/800.1020. Besök www.garmin.com/support/ för mer information. Europa: Kontakta Garmin (Europe) Ltd. på +44 0870 850 12 41.

WARNING! Läs guiden *Viktig säkerhets- och produktinformation* som medföljer i produktförpackningen för viktig information om produkten och säkerhet.

Produktregistrering

Hjälp oss att hjälpa dig på ett bättre sätt genom att fylla i vår online-registrering på www.garmin.com/registration/.

Skriv in serienumret som står på din GPS 17x i det avsedda utrymmet, för framtida referens. Det står på en etikett på enhetens baksida.

Serienummer

Packlista och tillbehör

Innan du installerar enheten ska du kontrollera att förpackningen innehåller följande delar. Kontakta genast din Garmin-återförsäljare om det saknas delar.

Standardförpackning

- GPS 17x-antenn
- Ytmonteringsfäste
- Mastmonteringsfäste
- Fäste för montering under däck
- Monteringsmaterial (skruvar och självhäftande plattor)
- NMEA 2000 T-anslutning och termineringar
- NMEA 2000-droppkabel - 6,5 fot (2 m)
- Installationsinstruktioner

Verktyg som behövs

- Borrmaskin
- Borrspets för ytmontering av rikhål (se tabell)
- Borrspets - 3/4 tum (19 mm) för kabelhål på mastfäste
- Hålsåg, 1 tum (25 mm) - för ytmontering av kabelhål
- Skruvmejsel för ytmontering av skruvar
- Körnare och hammare (används för att markera rikhål vid ytmontering)
- Försänkare (vid montering på glasfiber)
- Marint tätningsmedel (för vissa monteringsalternativ)

Tillbehör

- Extra NMEA 2000-nätverkskomponenter

| Material | Materialtjocklek (tum) | Materialtjocklek (mm) | Hålstorlek (tum) | Hålstorlek (mm) | Hålstorlek (Borrnummer) |
|-----------------------------------------------------------------------|------------------------|-----------------------|------------------|-----------------|-------------------------|
| Aluminumlegerad plåt | från 1/32 till 5/64 | från 0,76 till 2,03 | .128 | 3,25 | 30 |
| | från 3/32 till 3/8 | från 2,28 till 9,52 | .147 | 3,73 | 26 |
| Glasfiber - alla tjocklekar | | | .140 | 3,56 | 28 |
| Plast med hög täthet - alla tjocklekar | | | .125 | 3,17 | 1/8 |
| Plywood (hartsimpregnerat) - Professionell installation rekommenderas | | | .144 | 3,66 | 27 |

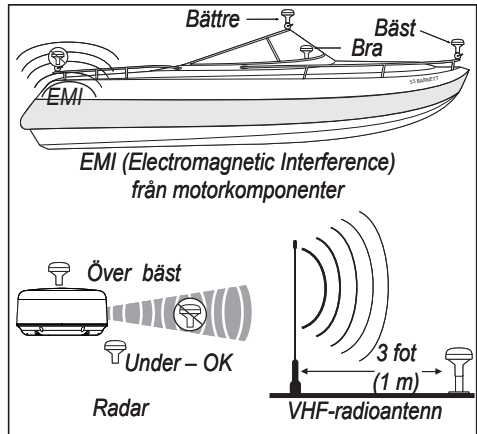
Storlekstabell för rikhål

Steg 1: Montera GPS 17x-antennen

Ytmontera GPS 17x-antennen och koppla den till ett standardmarinfäste med en utvärdig diameter på en tum, (14 gängor per tum, ingår ej). Du kan även installera antennen under glasfiber.

Välj ut en lämplig plats för GPS 17x-antennen på båten. För bästa mottagning bör GPS 17x-antennen monteras på en plats med obehindrad sikt av himlen i alla riktningar.

- Undvik att montera GPS 17x-antennen där den skuggas av båtens yttre struktur, en radome-antenn eller mast.
- På segelbåtar undviker du att montera GPS 17x-antennen högt upp på en mast för att undvika felaktiga hastighetsavläsningar orsakade av kraftiga krängningar.
- GPS 17x-antennen ger mest stabila avläsningar när den sitter nära vattennivån.
- **Montera GPS 17x-antennen minst 3 fot (1 m) bort från (helst över) radarstrålars väg eller en VHF-radioantenn.**



Placeringsavvägningar för GPS 17x

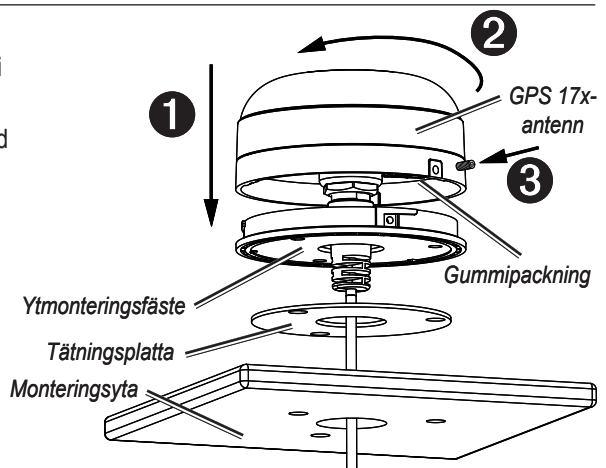
Sätt fast antennen tillfälligt på önskad monteringsplats och testa att den fungerar som den ska. Om du upplever störningar med annan elektronik kan du försöka med en annan plats. När du har bekräftat att enheten fungerar som den ska monterar du antennen permanent.

Ytmontering av GPS 17x-antennen

1. Använd ytmonteringsfästet som monteringsmall.
 - Märk ut de tre skruvplatserna på ytan med hjälp av en körnare.
 - Leta upp kabelhålet i mitten av fästet med hjälp av en penna.
 - Ställ undan ytmonteringsfästet. Borra inte genom ytmonteringsfästet.
2. Välj en passande borrspets för monteringsytan med hjälp av borrspetstabellen (sida 43) och borra de tre rikthålen.

OBS! Om du monterar GPS 17x på glasfiber bör du använda en försänkare för att borra en försänkning genom det övre gelcoat-lagret (men inte djupare). På så sätt undviker du sprickor i gelcoat-lagret när skruvarna dras åt.

3. Använd en hålsåg på 1 tum (25 mm) för att klippa kabelhålet i mitten.
4. Placera tätningsplattan längst ned på ytmonteringsfästet. Passa in skruvhålen.
5. Med hjälp av de medföljande M4-skruvorna ansluter du ytmonteringsfästet på monteringsytan.
6. Led NMEA 2000-kabeln genom 1-tumskabelhålet och anslut den till GPS 17x.



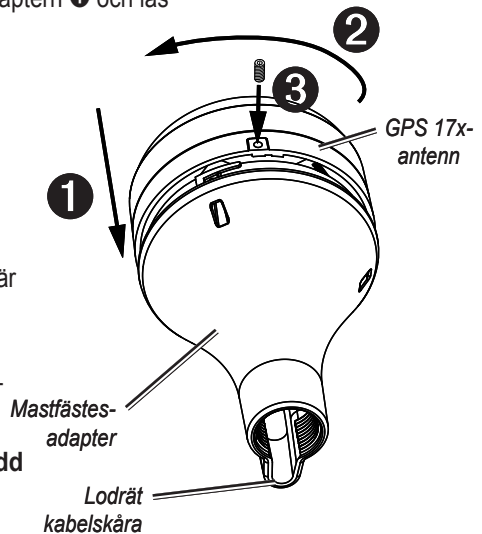
7. Se till att den stora packningen är på plats längst ned på GPS 17x-antennen. Placera antennen på ytmonteringsfästet ① och lås fast den genom att dra den medsols ②.
8. Sätt fast antennen på monteringsfästet med den medföljande M3-inställda skruven ③.
9. Led NMEA 2000-kabeln bort från källor till elektroniska störningar och anslut den till ditt NMEA 2000-nätverk.

Montera GPS 17x-antennen på en mast

När du har kopplat mastfästesadaptern till GPS 17x kan du installera GPS 17x med ett standardmarinfäste med en utvändig diameter på en tum, (14 gånger per tum, ingår ej). Du kan leda NMEA 2000-kabeln genom masten eller på utsidan av masten.

Så här monterar du GPS 17 med kabeln ledd på mastens utsida:

1. Led NMEA 2000-droppkabeln genom mastfästesadaptern och placera kabeln i det lodräta spåret tillsammans med basen på mastfästesadaptern.
2. Trä mastfästesadaptern på ett standardmarinfäste med en utvändig diameter på en tum (14 gånger per tum, ingår ej). Dra inte åt adaptern för hårt.
3. Anslut NMEA 2000-droppkabeln till GPS 17x-antennen.
4. Placera GPS 17x-antennen på mastfästesadaptern ❶ och lås fast den genom att vrida den medsols ❷.
5. Sätt fast antennen på adaptern med den medföljande M3-inställda skruven ❸.
6. (Valfritt) När GPS 17 är monterad på mastfästet fyller du kvarvarande utrymme vid det lodräta kabelspåret med ett marint tätningsmedel.
7. Fäst marinfästet på båten om det inte redan är gjort.
8. Led kabeln bort från källor till elektroniska störningar och anslut den till ditt NMEA 2000-nätverk.



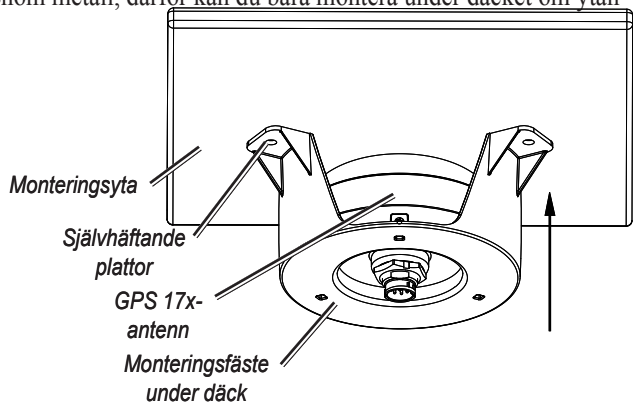
Så här monterar du GPS 17 med kabeln ledd genom masten:

1. Placera ett standardmarinfäste med en utvändig diameter på en tum (14 gånger per tum, ingår ej) på önskad plats och märk ut mittpunkten för masten.
2. Borra ett hål med en borrarpspets på $\frac{3}{4}$ tum (19 mm) så att kabeln kan passera igenom.
3. Sätt fast marinfästet på båten.
4. Trä mastfästesadaptern på masten. Dra inte åt adaptern för hårt.
5. Led NMEA 2000-droppkabeln genom masten och anslut den till GPS 17x-antennen.
6. Placera GPS 17x-antennen på mastfästesadaptern ❶ och lås fast den genom att vrida den medsols ❷.
7. Sätt fast antennen på adaptern med den medföljande M3-inställda skruven ❸.
8. (Valfritt) När GPS 17 är monterad på mastfästet fyller du det lodräta kabelspåret med ett marint tätningsmedel.
9. Led kabeln bort från källor till elektroniska störningar och anslut den till ditt NMEA 2000-nätverk.

Montering av GPS 17x-antennen under däck

GPS 17x kan monteras under en glasfiberyta med de självhäftande plattor som ingår. GPS 17x kan inte hämta satellitsignaler genom metall, därför kan du bara montera under däck om ytan består av glasfiber.

1. Välj den plats på glasfiberytan där du vill montera GPS 17x.
2. Placera de självhäftande plattorna på monteringsfästet under däck.



Monteringsfästet under däck har hål som kan användas till att säkra fästet under däck till monteringsytan med hjälp av skruvar. Garmin rekommenderar inte att monteringsfästet under däck ansluts till ytan med skruvar på grund av risken för att skruvarna sticker upp utanför monteringsytans topp. Om du väljer att använda skruvar bör du vara mycket försiktig.

3. Placera GPS 17x i monteringsfästet under däck.
4. Fäst monteringsfästet under däck på monteringsytan.
5. Anslut NMEA 2000-droppkabeln till GPS 17x.
6. Led kabeln bort från källor till elektroniska störningar och anslut den till ditt NMEA 2000-nätverk.

Steg 2: Anslut GPS 17x-antennen till ditt NMEA 2000-nätverket

GPS 17x levereras med en NMEA 2000 T-anslutning och en NMEA 2000-droppkabel. Du använder dessa två komponenter för att ansluta GPS 17x till ditt befintliga NMEA 2000-nätverk. Om du inte har ett befintligt NMEA 2000-nätverk måste du installera ett i båten. Mer information om NMEA 2000 finns på www.garmin.com.

Så här ansluter du GPS 17x till ditt befintliga NMEA 2000-nätverk:

1. Bestäm en lämplig plats för att ansluta GPS 17x till det befintliga NMEA 2000-stamnätet.
2. Koppla bort ena sidan av en NMEA 2000 T-anslutning från stamnätet närmast den plats där du vill ansluta GPS 17x-antennen.

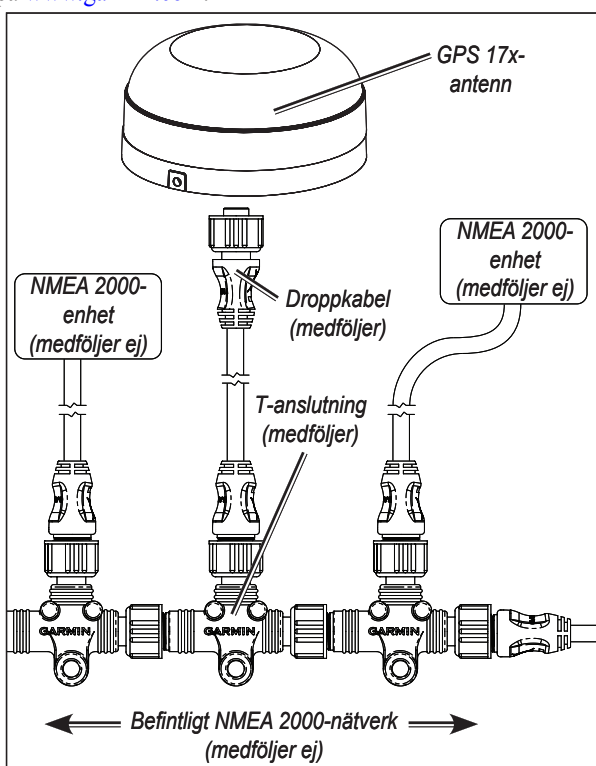
Om du behöver förlänga NMEA 2000-stamnätet ansluter du en lämplig förlängningskabel för NMEA 2000-stamnätet (medföljer inte) till sidan av den T-anslutning som du kopplade bort.

6. Anslut en av de medföljande T-anslutningarna i NMEA 2000-stamnätet.
7. Led en av de medföljande droppkablarna från GPS 17x-antennen till ovasidan av den T-anslutning du lade till i NMEA 2000-nätverket.

Om den inbyggda droppkabeln inte är tillräckligt lång kan du lägga till en droppkabelförlängning på upp till 13 fot (4 m). Om du behöver mer kabel lägger du till en förlängning till NMEA 2000-stamnätet, enligt anvisningarna för NMEA 2000.

Steg 3: Uppdatera plottern

Om du vill kontrollera kompatibiliteten med GPS 17x uppdaterar du Garmin-plottern med den senaste programvaran. Mer information finns på <http://www8.garmin.com/support/download.jsp>.



Specifikationer

Fysiska

mått: 3 ¹⁹/₃₂ tum (91,6 mm) diameter ×
1 ¹⁵/₁₆ tum (49,5 mm) hög

Vikt: 7,1 oz. (201 g)

NMEA 2000-droppkabel: 19 fot, 8 tum (6 m)

Temperaturintervall: -22°F (-30°C) till
176°F (80°C)

Höljets material: Helt tätad, stöttålig
plastlegering,
vattentät enligt
IEC 529 IPX7-
normer

Ström

Strömförbrukning: 9–16 V likström
oreglerat

Inström: 40 mA vid 12 V
likström

**NMEA 2000 LEN-nummer (Load
Equivalency Number):** 1 (100 mA)

Noggrannhet

GPS: < 33 fot (10 m),
normalt 95%

DGPS: 10–16 fot (3–5 m),
normalt 95%
(WAAS/EGNOS-
noggrannhet.)

Hastighet: 0,05 meter/sek i
stadigt läge

PGN-information för NMEA 2000

| Sända | | Ta emot | |
|--------|--------------------------------------------------|---------|--------------------------------------------------------|
| 059392 | ISO-erkännande | 059392 | ISO-erkännande |
| 060928 | ISO-adresskrav | 059904 | ISO-begäran |
| 126208 | NMEA - Kommando/begära/godkänna gruppfunktion | 060928 | ISO-adresskrav |
| 126464 | Sända/ta emot PGN-lista med grup- pfunktion | 126208 | NMEA - Kommando/ begära/godkänna grup- pfunktion |
| 126992 | Systemtid och -datum | | |
| 126996 | Produktinformation | | |
| 129025 | Position - Snabb uppdatering | | |
| 129026 | COG & SOG - Snabb uppdatering | | |
| 129029 | GNSS-positionsdata | | |
| 129539 | GNSS DOP:er | | |
| 129540 | GNSS Sats i vy | | |



GPS 17x är NMEA 2000-
certifierad

Överensstämmelseförklaring (DoC)

Härmed intygar Garmin att denna GPS 17x uppfyller de grundläggande kraven och andra tillämpliga föreskrifter i direktiv 1999/5/EC.



Den fullständiga överensstämmelseförklaringen finns på Garmins webbplats för din Garmin-produkt: www.garmin.com/products/gps17x/. Klicka på **Manuals (Handböcker)** och sedan på **Declaration of Conformity (Överensstämmelseförklaring)**.

Programlicensavtal

GENOM ATT ANVÄNDA GPS 17x ACCEPTERAR DU ATT FÖLJA VILLKOREN I FÖLJANDE PROGRAMLICENSAVTAL. DU BÖR LÄSA IGENOM DET HÄR AVTALET NOGGRANT.

Garmin ger dig en begränsad licens för användning av den programvara som är inbäddad i enheten ("Programvaran") i binär körbar form för normal drift av produkten. Äganderätten och de intellektuella immateriella rättigheterna i och för Programvaran tillhör Garmin.

Du accepterar att Programvaran tillhör Garmin och är skyddad enligt de copyrightlagar som gäller i USA samt enligt internationella copyrightöverenskommelser. Du bekräftar vidare att strukturen på, organisationen av och koden för Programvaran är värdefulla företagshemligheter som tillhör Garmin och att källkoden för Programvaran är en värdefull affärshemlighet som tillhör Garmin. Du intygar att du inte kommer att dekompilera, demontera, ändra eller bakåtkompilera Programvaran eller någon del av den på eller på något annat sätt göra om Programvaran eller någon del av den till läsbar form eller skapa något arbete som bygger på Programvaran. Du intygar också att du inte kommer att exportera eller återexportera Programvaran till något land i strid med de exportkontrolllagar som gäller i USA.



© 2008 Garmin Ltd. eller dess dotterbolag

Garmin International, Inc.
1200 East 151st Street, Olathe, Kansas 66062, USA

Garmin (Europe) Ltd.
Liberty House, Hounsdown Business Park, Southampton, Hampshire, SO40 9RB, Storbritannien

Garmin Corporation
No. 68, Jangshu 2nd Road, Shijr, Taipei County, Taiwan

www.garmin.com

Artikelnummer 190-00886-90 Rev. B

Free Manuals Download Website

<http://myh66.com>

<http://usermanuals.us>

<http://www.somanuals.com>

<http://www.4manuals.cc>

<http://www.manual-lib.com>

<http://www.404manual.com>

<http://www.luxmanual.com>

<http://aubethermostatmanual.com>

Golf course search by state

<http://golfingnear.com>

Email search by domain

<http://emailbydomain.com>

Auto manuals search

<http://auto.somanuals.com>

TV manuals search

<http://tv.somanuals.com>