

# Start Here

To get up and running with your  
EPSON Stylus® COLOR 440, you need to:

**1** Set up the printer

**2** Install the software

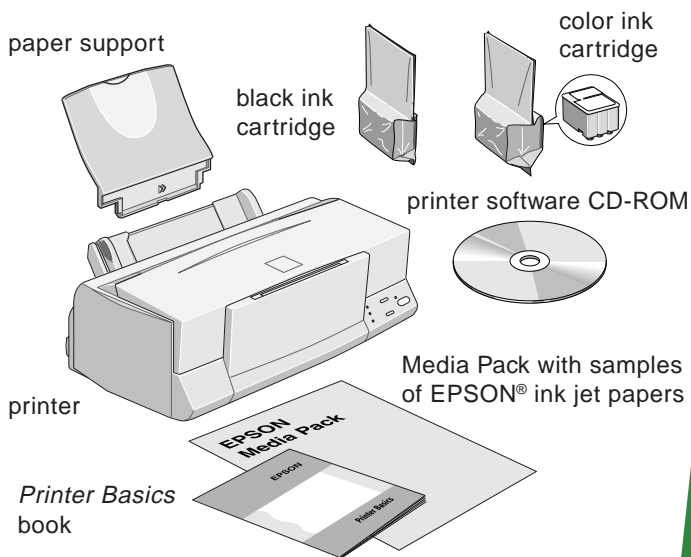
**3** Print an image



# 1 Set Up the Printer

## 1 Unpack the Printer

Remove all the tape and packing material as described on the *Unpacking Sheet* in the printer box. Make sure you've got a cable to connect the printer to your computer, plus all these items:



### Note:

To connect to a PC, you'll need a high-speed, bidirectional, IEEE-1284 compliant, parallel cable 6 to 10 feet long.

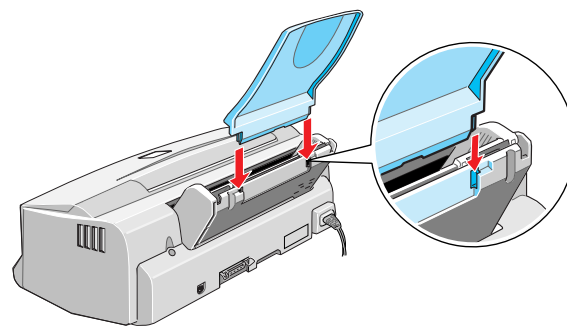
Place the printer near your computer and an available grounded outlet, but avoid areas:

- with high temperature or humidity
- in direct sunlight or dusty conditions
- near sources of heat or electromagnetic interference, such as a cordless telephone base unit

Be sure to check the System Requirements and follow all the Safety Instructions in your *Printer Basics* book. If you need help as you set up your printer, see "Problems? Need Help?" in your *Printer Basics* book.

## 2 Attach the Paper Support

Insert the paper support in the slots at the back of the printer's sheet feeder.



## 3 Install the Ink Cartridges

1. Plug the power cord into a grounded outlet.



### Caution:

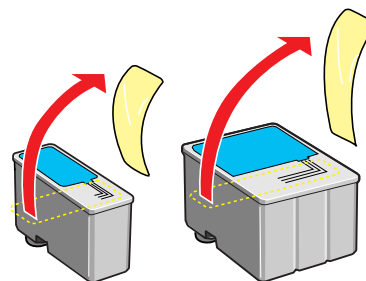
Don't use an outlet controlled by a wall switch or timer, or one on the same circuit as a large appliance. This may disrupt the power, which can erase the printer's memory or damage its power supply.

2. Remove the ink cartridges from their foil packages. Then pull off only the yellow part of the tape seal on the top of each cartridge.



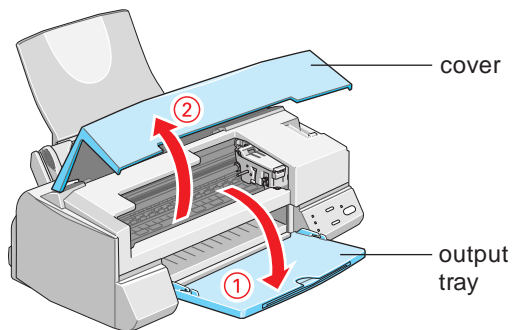
### Caution:

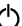


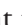
You must remove the yellow tape seal from the top of the cartridge or you will permanently damage it.



Open to continue ►


3. First lower the printer's output tray, then open the cover.



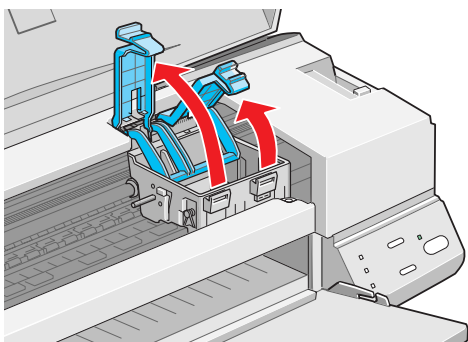
4. Press the  power button to turn on the printer. The  power light flashes, the  black and  color ink out lights come on, and the ink cartridge holders move left to the installation position.



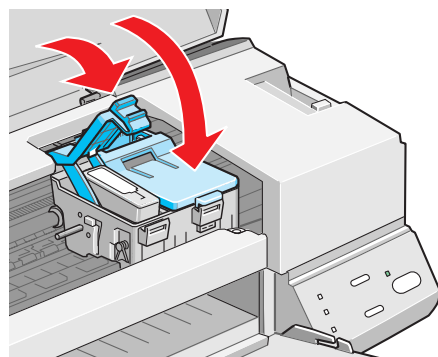
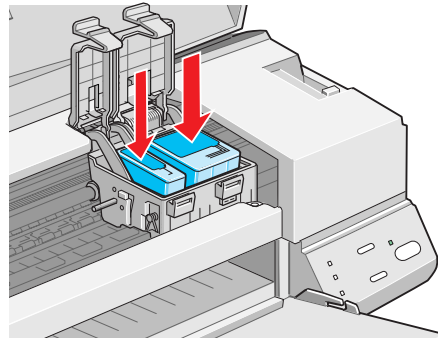
**Caution:**

Always use the  power button to turn the printer on or off; never use an external switch, such as a power strip switch.

5. Lift the two ink cartridge clamps.

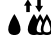



6. Place the ink cartridges into their holders with the blue labels facing up and toward the back of the printer. Then push down the clamps until they lock in place.




**Warning:**

If ink gets on your hands, wash them thoroughly with soap and water. If ink gets in your eyes, flush them immediately with water.


7. Press the  cleaning button to begin charging the ink delivery system. Then close the printer cover.

Charging can take two to three minutes. The  power light flashes and the printer makes various sounds until it's finished. Don't turn off the printer or interrupt the charging process or

you'll use more ink than necessary. Charging is complete when the  power light stops flashing and stays on.

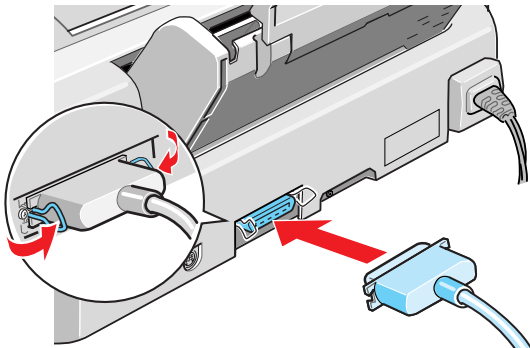


**Caution:**

Never turn off the printer when the  power light is flashing unless the printer hasn't moved or made any noise for more than 5 minutes.

## 4 Connect the Printer to Your Computer

1. Turn off the printer and computer.
2. Connect the printer cable to the printer's parallel connector; then squeeze the wire clips together to lock it in place.



3. Connect the other end of the cable to your computer's main parallel connector (you can identify it by shape) and secure it as necessary.

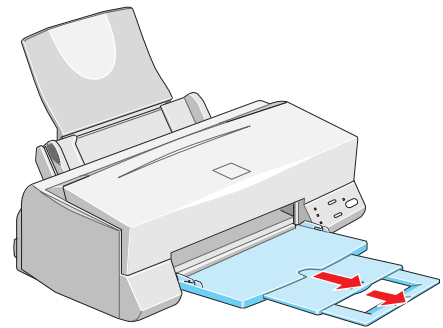


**Note:**

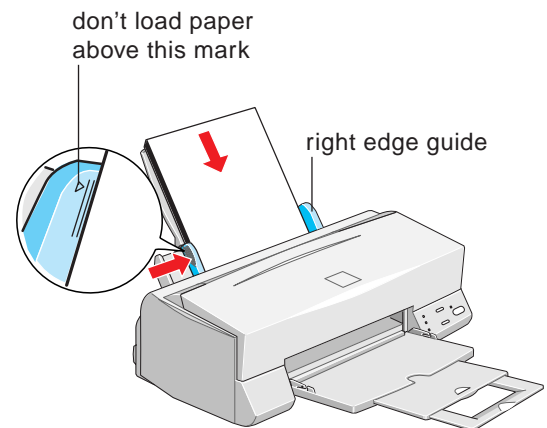
If your computer has multiple parallel connectors, connect your printer to the main one (identified as LPT1 by your system). To use a different port, see your Windows® documentation for instructions.

## 5 Load Paper

1. Pull out the output tray extensions. Slide the left edge guide right until it is a little wider than your paper.



2. Load a stack of paper with the printable (whiter) side up and place it against the **right** edge guide. Then slide the left edge guide against the paper's left edge.





# 2 Install the Software

Now that you've set up your printer, you're ready to install the software from the CD-ROM attached to the front of this card.

The CD-ROM includes:

- The printer driver that lets you print; you must install this for the printer to work correctly
- Creative software, including the EPSON Guided Printing Exercise and Polaroid® PhotoMAX™ Family Pack
- Your electronic *EPSON Stylus COLOR 440 Manual*



#### Note:

If you don't have a CD-ROM drive, you can download the drivers or order diskettes from EPSON. See "Ordering Printer Software Diskettes" in the *Printer Basics* book.

Keep this card with you as you install your printer software so you can refer to it when you need it.



#### Caution:




If you see a screen telling you that Windows has detected your printer and to install a driver, *always* select **Cancel**. You can't install your software that way.

1. Make sure your printer is connected to the computer and that both are turned *off*.
2. Turn on your computer, but leave your printer turned *off*. **Do not turn your printer back on until you have completed the software installation.**

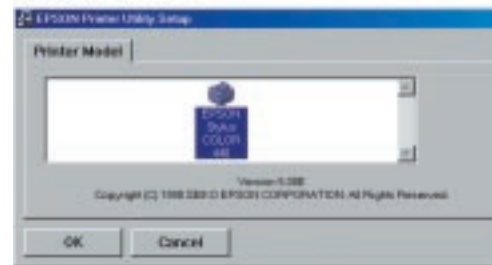
3. After you see the Windows desktop icons, insert the EPSON Stylus COLOR 440 CD-ROM. The CD-ROM starts automatically.



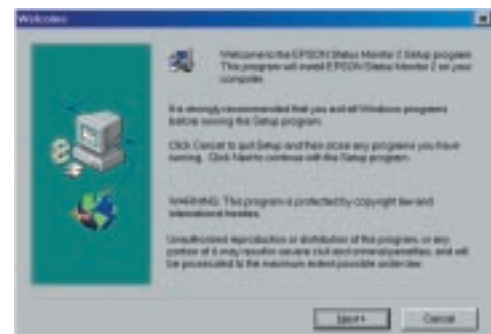
#### Note:

If it doesn't start automatically, double-click the  **My Computer** icon, then double-click the  **Epson (E:)** icon (for your CD-ROM drive). Double-click the  **Epson.exe** icon to start the installer.

4. You see the EPSON screen and then the Software License Agreement screen. Read the agreement and then click **Agree** to continue.
5. Follow the on-screen instructions to install your software. The printer software installation is in two parts. First the printer driver is installed. Click **OK** when you see this screen:



Then you'll be prompted to install Status Monitor 2. Click **Next** to install it when you see this screen:



- Restart your computer when the installation prompts you to. Be sure to leave your CD-ROM in the drive.

After your computer has restarted, you'll see the EPSON software installer Main Menu. (If necessary, close any windows covering the Main Menu.)



**Note:**


If you don't see the Main Menu, point to **Programs**, then **EPSON**, and click **EPSON Stylus COLOR 440 Installer**.

- Click **View Electronic Documentation**, then click **View Printer Manual** to view your electronic *EPSON Stylus COLOR 440 Manual*. Adobe® Acrobat® Reader is installed if it is not already loaded on your system. After you have viewed the manual, you can copy it to your hard disk by clicking **Copy Printer Manual to Hard Drive**.
- Click **BACK** to return to the Main Menu, and then click **Install Creative Software** to install the Guided Printing Exercise and Polaroid PhotoMAX Family Pack software. (For detailed instructions, see the *Printer Basics* book.) When you're done, click **EXIT** to close the EPSON software installer.
- After you finish installing your software, turn on your printer.

Now you're ready to print! See *Print an Image* to get started.

## 3 Print an Image

Now that you've set up your printer and installed the software, you're ready to print in any application. If you're using Windows 95, 98, or NT and you installed the EPSON Guided Printing Exercise as described above, you can use it for a quick lesson in printing.

Find the Media Pack that came with your printer, and take out a sheet of 8 1/2 x 11-inch Photo Paper. Then click the  **EPSON Guided Printing Exercise** icon on your desktop to get started. When you finish, this color image is printed:



If you want more printing instructions, see your *Printer Basics* book. It also contains basic printer maintenance and troubleshooting information. For advanced printing and troubleshooting information, see your electronic *EPSON Stylus COLOR 440 Manual*.

To launch the creative software you installed, click the  **PhotoMAX Family Pack** icon on your desktop. You can also click **Start**, point to **Programs**, then **Polaroid PhotoMAX by Arcsoft**, and click **PhotoMAX Family Pack** (or the individual application you want).



EPSON and EPSON Stylus are registered trademarks of SEIKO EPSON CORPORATION.

General Notice: Other product names used herein are for identification purposes only and may be trademarks of their respective owners. EPSON disclaims any and all rights in those marks.

Copyright © 1999 by Epson America, Inc.

Printed on recycled paper with at least 10% post-consumer content.

9/99

## Free Manuals Download Website

<http://myh66.com>

<http://usermanuals.us>

<http://www.somanuals.com>

<http://www.4manuals.cc>

<http://www.manual-lib.com>

<http://www.404manual.com>

<http://www.luxmanual.com>

<http://aubethermostatmanual.com>

Golf course search by state

<http://golfingnear.com>

Email search by domain

<http://emailbydomain.com>

Auto manuals search

<http://auto.somanuals.com>

TV manuals search

<http://tv.somanuals.com>