

Installation Instructions

GPS5CC, GPS5WW Dishwasher Side Panel Kit

The Side Panel Kit is used to enclose a built-in dishwasher when a fully supported countertop and cabinet cavity do not have an end panel present. The Side Panel Kit is not designed to support the countertop or cabinets, so it is important that they be fully supported prior to installing the kit. The kit may be used for either a left-hand or a right-hand opening.

Installation of this panel kit requires basic mechanical and carpentry skills. Wear your safety equipment when using tools and handling parts for your protection. Proper installation is the responsibility of the installer.

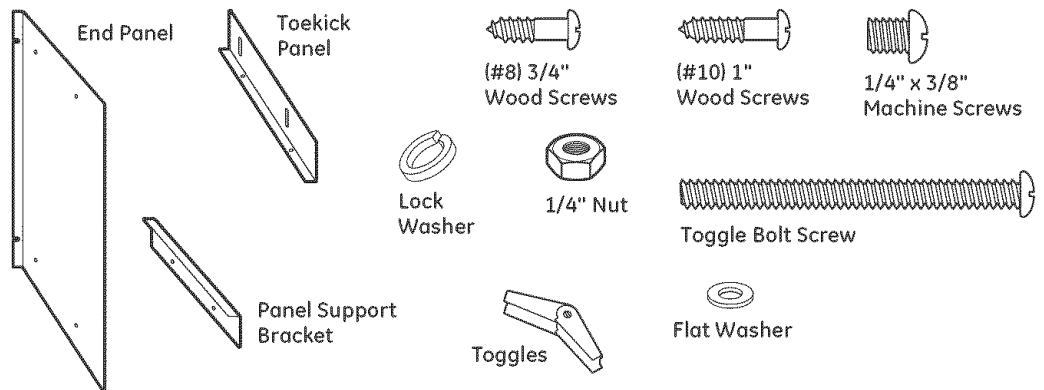
BEFORE YOU BEGIN – Read these instructions completely and carefully.

IMPORTANT – Save these instructions for local inspector's use.

IMPORTANT – OBSERVE ALL GOVERNING CODES AND ORDINANCES.

PARTS SUPPLIED:

- End panel
- Toekick panel
- Panel support bracket
- 2 - #8 x 3/4" wood screws
- 4 - #10 x 1" wood screws
- 4 - 1/4" x 3/8" machine screws
- 4 - 1/4" nuts
- 4 - 1/4" lock washers
- 2 - 3/16" x 3" toggle bolt screws
- 2 - 3/16" toggles
- 6 - 3/16" flat washers
- Installation Instructions

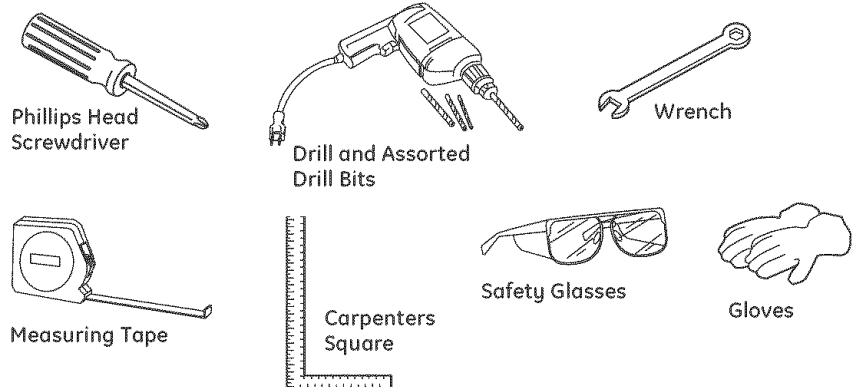


NOT INCLUDED:

2 - Lag bolts of appropriate size for use when the floor is ceramic tile, quarry tile or similar material.

TOOLS YOU WILL NEED:

- Phillips head screwdriver
- Drill and assorted drill bits
- 7/16" socket, box-end or open-end wrench
- Measuring tape
- Carpenters square
- Safety glasses
- Gloves



Installation Instructions

The installation of the side panel requires the panel support bracket to be mounted to the underside of the countertop and the toekick panel to be mounted to the floor. If the panel is installed perpendicular to a wall, the side panel will also be fastened to the wall.

The enclosure for the dishwasher must be at least 24" wide. The dimensions on the adjacent diagrams show locations of the screw holes for the toekick panel and the support bracket panel. Locating the screw holes as shown will provide the required 24" opening for the dishwasher.

The toekick panel is mounted with its 1" flange against the floor. Similarly, the panel support bracket is mounted with its 1" flange against the underside of the countertop.

STEP 1 ADJACENT CABINET SHOULD BE SQUARE AND PLUMB FOR GOOD DISHWASHER FIT

Check cabinet for perpendicularity to the floor with a carpenter's square. If the cabinet is out of square, it may be necessary to make adjustments in the installation of this panel to ensure the dishwasher will fit properly in the opening.

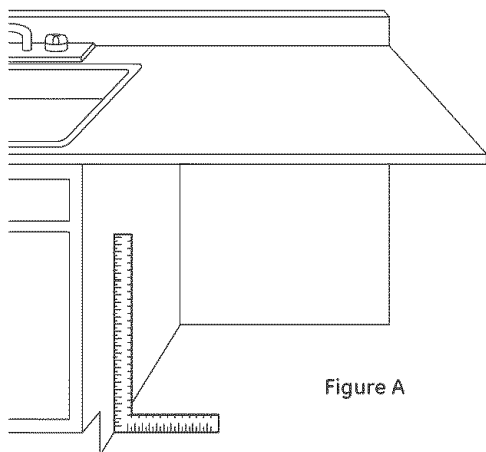


Figure A

STEP 2 LAY OUT MOUNTING HOLES FOR TOEKICK PANEL

The rear-mounting hole must be $3\text{-}1/4$ " from the back of the opening and $23\text{-}1/2$ " from the opposite side. The front mounting hole must be 19" from the back of the opening and $23\text{-}1/2$ " from the opposite side. Mark these two screw hole locations and punch or drill an appropriate pilot hole.

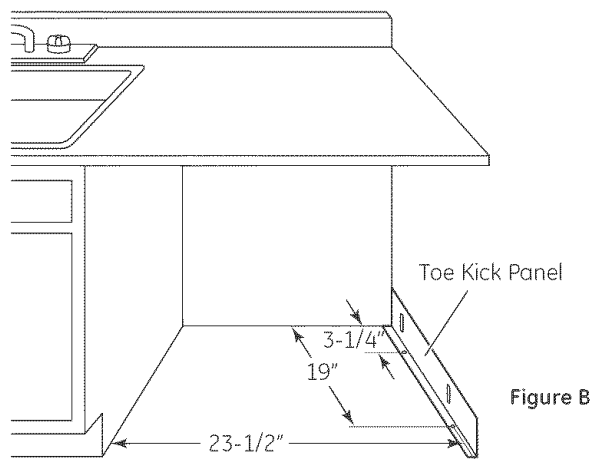


Figure B

Note: Measurements are to Center of Holes

If the floor is ceramic tile, quarry tile or similar material, it will be necessary to drill clearance holes through the tile so lag bolts can be screwed into the sub-floor to securely fasten the toekick panel against the floor.

STEP 3 LAY OUT MOUNTING HOLES FOR PANEL SUPPORT BRACKET

In the same manner as above and using the same dimensions, lay out the hole locations on the underside of the countertop. Use a punch to create a pilot hole or drill a pilot hole. However, when drilling pilot holes be extremely careful. Do not drill holes all the way through the countertop.

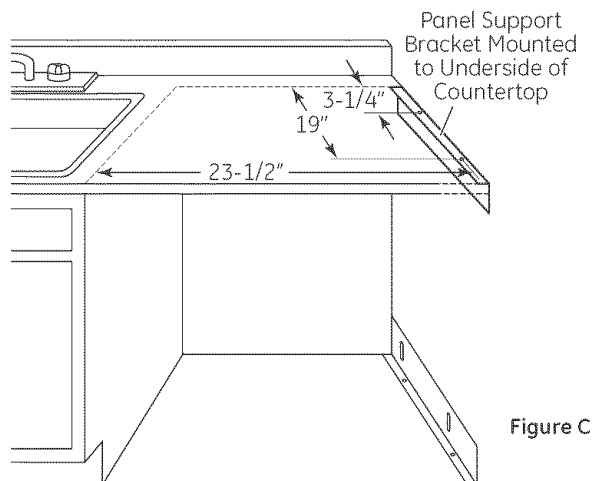


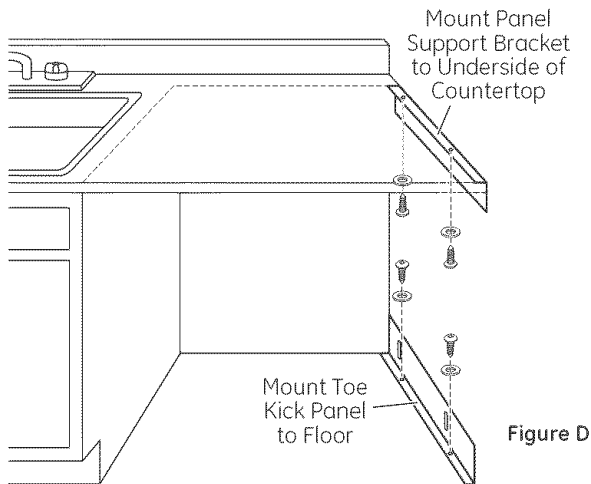
Figure C

Note: Measurements are to Center of Holes

Installation Instructions

STEP 4 FASTEN PANEL SUPPORT BRACKET TO UNDERSIDE OF COUNTERTOP AND TOEKICK PANEL TO FLOOR

Fasten the panel support bracket to the underside of the countertop using two #8 x 3/4" wood screws and two 3/16" flat washers.

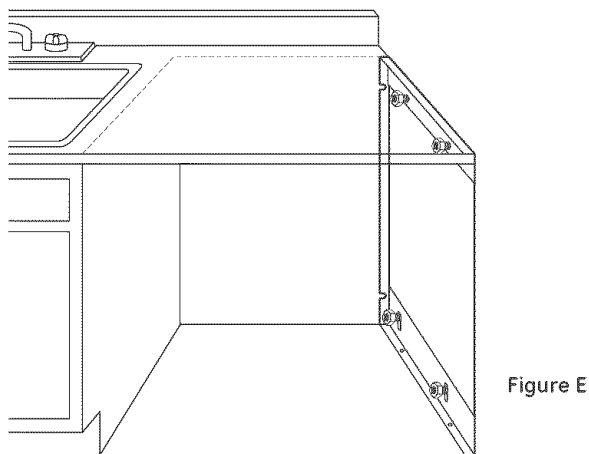


Fasten the toe kick panel to the floor using two #10 x 1" wood screws and two 3/16" flat washers.

If the floor is ceramic tile or similar material that will not accept screws, use two lag bolts of appropriate size and length along with 2 flat washers to fasten the toe kick panel to the floor.

STEP 5 LOOSELY INSTALL SIDE PANEL

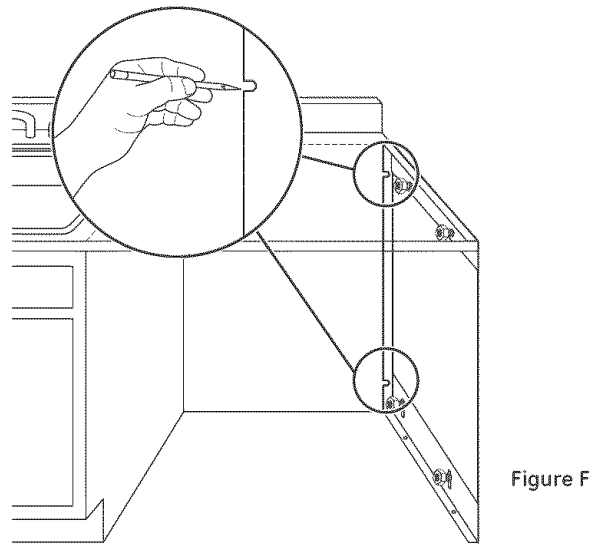
Mount the side panel to the toe kick panel and panel support bracket using four 1/4" x 3/8" machine screws, 4 lock washers and four 1/4" nuts. Do not tighten the fasteners at this time.



STEP 6 POSITION PANEL AGAINST BACK OF CABINET

Skip this step and go to Step 10 if the back of the dishwasher enclosure is not a wall or if you choose not to fasten the side panel to the back of the dishwasher enclosure.

Gently push side panel against the rear wall of the dishwasher enclosure. Mark the location of the screw cutouts in the panel on the back wall of the enclosure.



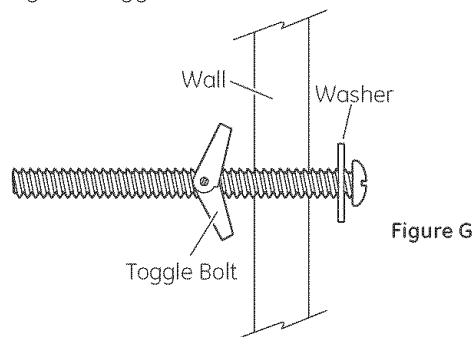
STEP 7 DETERMINE WALL COMPOSITION

If wall is solid or there is a stud behind the panel, attach the panel to the wall using two #10 x 1" wood screws and two 3/16" flat washers. Install the screws loosely – do not tighten. Skip to Step 10

If wall is hollow, for example, drywall without a stud, it will be necessary to use toggle bolts to attach the side panel to the wall.

STEP 8 INSTALL TOGGLE BOLTS

Remove side panel from toe kick and support bracket. Drill a 1/2" hole at each of the positions marked in Step 6. Place a washer on the 3" machine screw. Screw the toggle onto the bolt a few turns. Insert toggle into the top hole in the wall. Repeat with a second toggle bolt in the bottom hole. Do not tighten toggle bolts at this time.



Installation Instructions

STEP 9 ATTACH SIDE PANEL TO SUPPORT BRACKET AND TOGGLE BOLTS

Place the side panel against the panel support bracket and insert two 1/4" machine screws through the side panel and support bracket while aligning the side panel with the toggle bolts. Install the lock washers and 1/4" nuts on the machine screws but do not tighten.

Install the remaining two 1/4" machine screws through the side panel and toekick panel. Install the lock washers and 1/4" nuts on the machine screws, but do not tighten.

STEP 10 TIGHTEN THE FASTENERS

Tighten the fasteners in this order:

1. Toggle bolts or wood screws on back of panel (if present)
2. Machine screws on top of panel
3. Machine screws on bottom of panel.

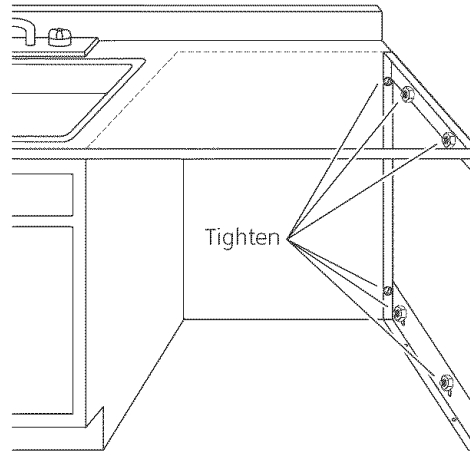


Figure H



imagination at work

SPECIFICATIONS SUBJECT TO CHANGE WITHOUT NOTICE

GE Consumer & Industrial
General Electric Company
Louisville, Kentucky 40225
ge.com

Pub. No. 31-30204
Dwg. No. 206C1559P144
ND 05J-1434 (9/05)

Free Manuals Download Website

<http://myh66.com>

<http://usermanuals.us>

<http://www.somanuals.com>

<http://www.4manuals.cc>

<http://www.manual-lib.com>

<http://www.404manual.com>

<http://www.luxmanual.com>

<http://aubethermostatmanual.com>

Golf course search by state

<http://golfingnear.com>

Email search by domain

<http://emailbydomain.com>

Auto manuals search

<http://auto.somanuals.com>

TV manuals search

<http://tv.somanuals.com>