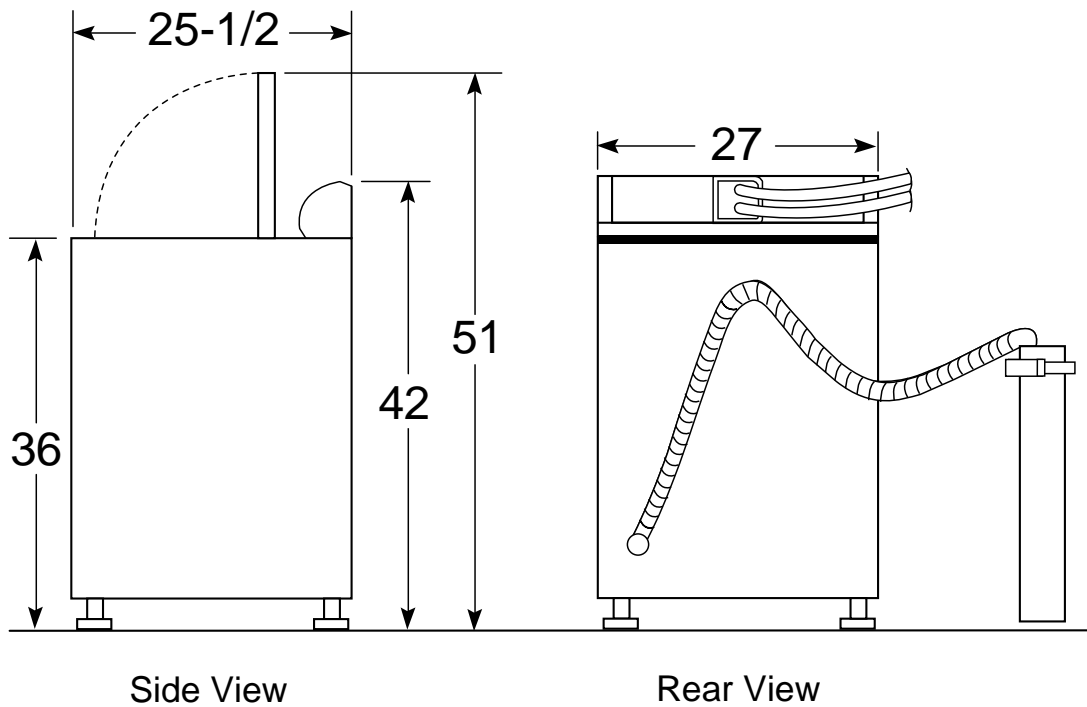




GE Appliances

## WBSR3140DWW – GE® Super Plus 3.2 Cu. Ft. Capacity Washer

Dimensions (in inches)



### Circuit Requirements:

An individual, properly-grounded branch circuit, with a three-prong grounding-type receptacle, protected by a 15 or 20 amp circuit breaker or a time-delay fuse, is required.

### Electrical Rating:

115V, 60Hz, 10A

### Washer Note:

Washer wall outlet must be located within 36" of service cord entry. Wall outlet must not be located behind dryer.

### Installation Information:

For complete information, see installation instructions packed with your washer.



Listed by  
Underwriters  
Laboratories

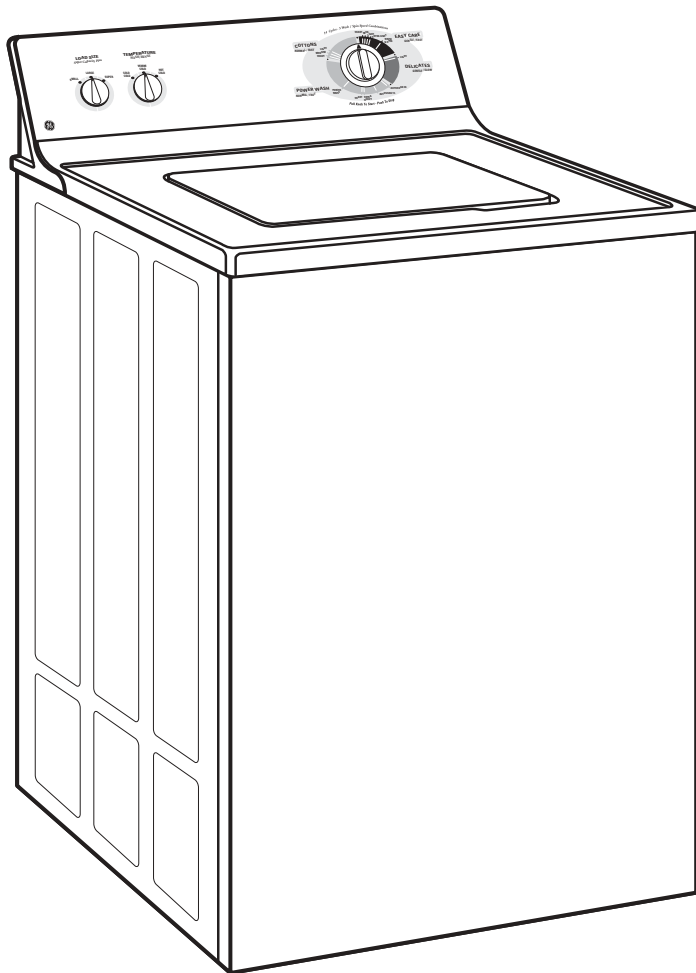
For answers to your Monogram®, GE Profile™ or GE® appliance questions, visit our website at [GEAppliances.com](http://GEAppliances.com) or call GE Answer Center® service, 800.626.2000.

Specification Created 6/03



**GE Appliances**

## **WBSR3140DWW – GE® Super Plus 3.2 Cu. Ft. Capacity Washer**



### **Features and Benefits**

- Rotary electromechanical controls – Allow fast, easy cycle selection.
- Three wash/spin speed combinations – Alternate between high, medium and low speeds for better clothes care.
- 14 wash cycles – A variety of fabric-specific settings, from Extra-heavy Cottons to Easy-Care Colors.
- Bleach and fabric softener dispensers – Solutions are automatically mixed with wash water for bright, soft-to-the-touch results.
- Three Water Levels – Minimize water waste.
- GentlePower™ Agitator – Moves clothes gently through water to reduce wear and tear.
- Rinse and Spin – A fast, convenient way to remove odors and residue from items like swimsuits and towels.
- Color lid instructions – Offers easy-to-follow clothing care tips.
- Quiet-By-Design™ – Engineered for quiet operation.
- Model WBSR3140DWW – White on white

## Free Manuals Download Website

<http://myh66.com>

<http://usermanuals.us>

<http://www.somanuals.com>

<http://www.4manuals.cc>

<http://www.manual-lib.com>

<http://www.404manual.com>

<http://www.luxmanual.com>

<http://aubethermostatmanual.com>

Golf course search by state

<http://golfingnear.com>

Email search by domain

<http://emailbydomain.com>

Auto manuals search

<http://auto.somanuals.com>

TV manuals search

<http://tv.somanuals.com>