



Monogram®

## ZDBI240WII – GE Monogram® Beverage Center

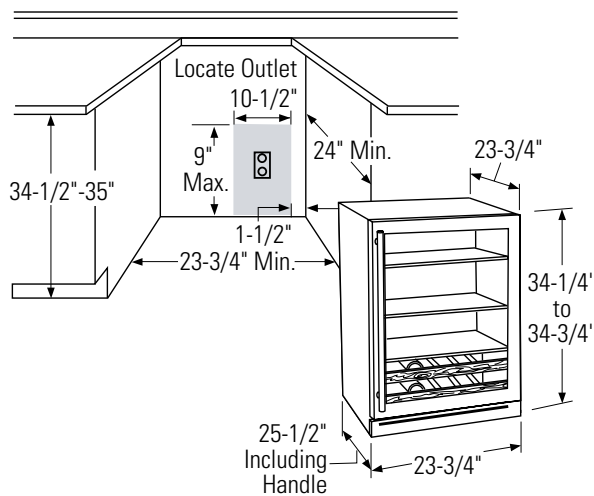
### Dimensions and Specifications (in inches)

#### Installation Space

The Monogram® Beverage Center may be installed beneath a countertop or can be used free-standing.

- If installing between frameless cabinets, a 1/2"-wide filler strip or side panel may be required. The filler strip will act as a spacer between the door case and adjacent cabinet and will prevent interference with cabinet door swing. The width of the opening must include filler panels.

**Note:** When installed, the door should project forward 1" of adjacent 24"-deep cabinets.



#### Location Requirements

All Monogram Refrigeration Modules may be closed in on the top and sides as long as the front is unobstructed for air circulation and door swing.

- Do not install these products where the temperatures will go below 55°F (13°C) or above 90°F (32°C).
- Do not install where they will be subject to direct sunlight, heat or moisture.
- These products are not designed to be stacked one over the other.

Specification Created 10/07

120039

#### Side-by-Side Installation

For a complete refreshment center, install a Monogram Wine Reserve and Beverage Center together.

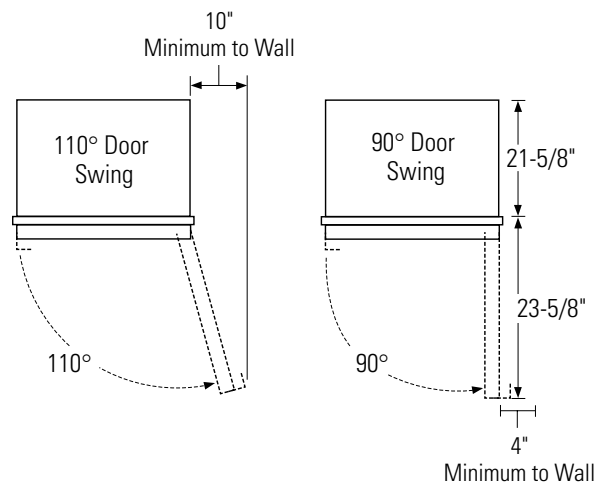
- Products must operate from separate properly grounded receptacles.

#### Door Swing Clearances

All Monogram Refrigeration Modules are factory set for a 110° door swing.

When installed in a corner:

- Allow the minimum door swing clearances shown.
- The minimum clearance shown at 90° will allow full extension of drawers and shelves.



#### Electrical

A 120V, 60Hz, 15 or 20 amp power supply is required. An individual properly grounded branch circuit or circuit breaker is recommended. Install a properly grounded 3-prong electrical recessed into the back wall as shown. Electrical must be located on rear wall as shown.

**Note:** GFCI (ground fault circuit interrupter) is not recommended.

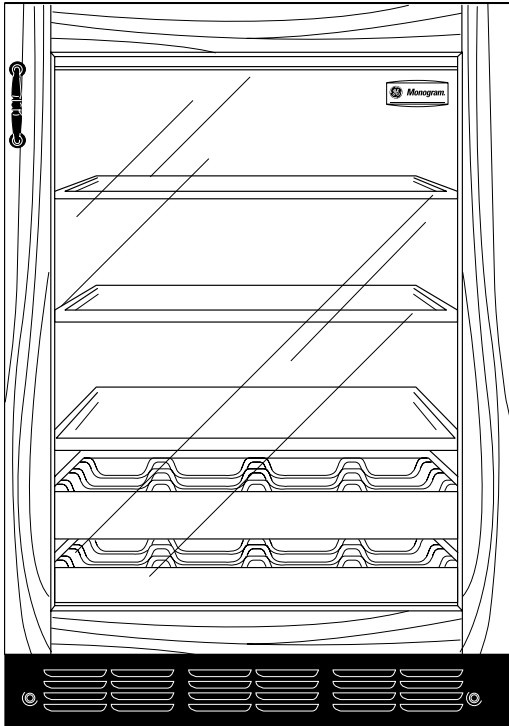


For answers to your Monogram®, GE Profile™ or GE® appliance questions, visit our website at [GEAppliances.com](http://GEAppliances.com) or call GE Answer Center® service, 800.626.2000.



**Monogram®**

## ZDBI240WII – GE Monogram® Beverage Center



### Features and Benefits

- Custom-Panel Option - Lets you coordinate models with cabinetry for a look of elegant understatement
- Spacious Interior with Removable Glass Shelves and Full-Extension Wine Racks - Accommodates beverages of all types and sizes, and puts them all within easy reach
- Convenient 24" Configuration - Is fully finished on all sides to allow installation virtually anywhere in the home
- Digital Touch Temperature Controls - Provide precise temperature settings for cooling of all types of beverages
- Storage Convenience - Three removable glass shelves, including a QuickSpace™ shelf, and two full-extension wine racks hold up to 10 wine bottles, as well as 12-ounces cans, quart-size bottles, and two-liter plastic containers
- Flexible Installation - The free-standing beverage center may be built into cabinetry, and the door swing is easily reversed as needed
- Model ZDBI240WII – Custom panel

## Free Manuals Download Website

<http://myh66.com>

<http://usermanuals.us>

<http://www.somanuals.com>

<http://www.4manuals.cc>

<http://www.manual-lib.com>

<http://www.404manual.com>

<http://www.luxmanual.com>

<http://aubethermostatmanual.com>

Golf course search by state

<http://golfingnear.com>

Email search by domain

<http://emailbydomain.com>

Auto manuals search

<http://auto.somanuals.com>

TV manuals search

<http://tv.somanuals.com>