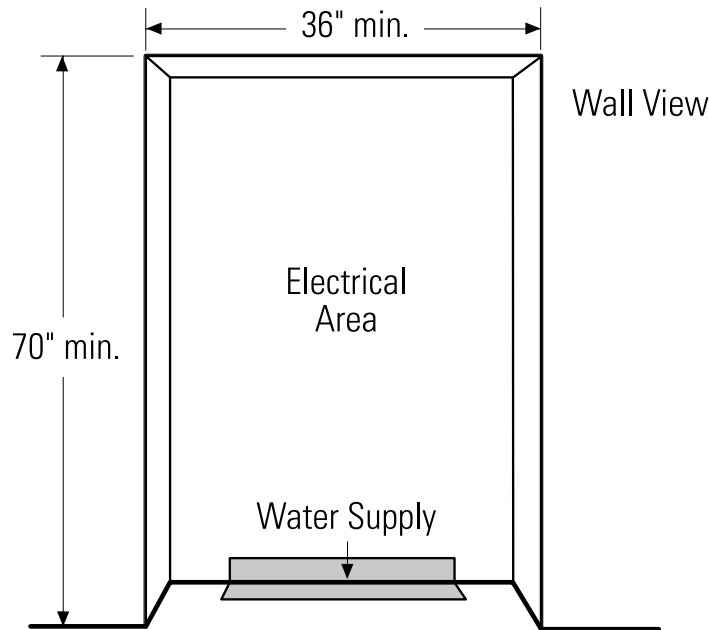


ZFGP21HXSS

GE Monogram® 20.6 Cu. Ft. French Door Two Drawer Freestanding Refrigerator

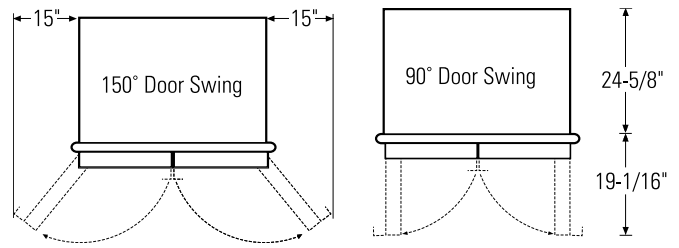
Dimensions and Installation Information (in Inches)

The Installation Space



Door Swing Clearances

The installation must allow for clearances to adjacent walls or cabinets.



Electrical

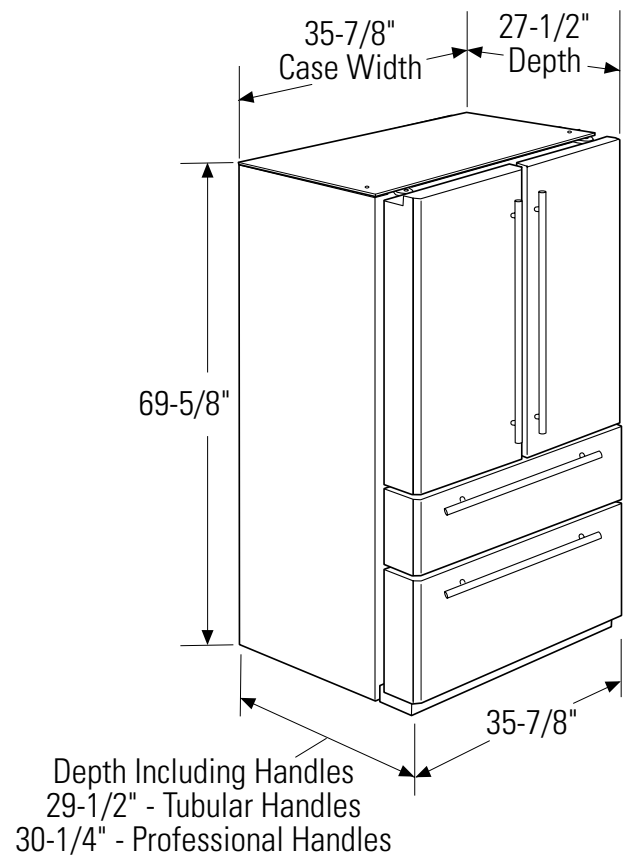
A 115V, 60Hz., 15 or 20 amp power supply is required. An individual properly grounded branch circuit or circuit breaker is recommended. Install a properly grounded 3-prong electrical receptacle recessed into the back wall. Electrical must be located on rear wall as shown.

Note: GFI (ground fault interrupter) is not recommended.

Water Line

The water line can enter the opening through the floor or back wall. Route GE SmartConnect™ Kit or 1/4" O.D. copper tubing between the cold water line and the water connection location at the front of the refrigerator. The tubing must be long enough to extend to the front of the refrigerator. The installation of an easily accessible shut-off valve in the water line is required.

For answers to your Monogram®, GE Profile™ or GE® appliance questions, visit our website at ge.com or call GE Answer Center® service, 800.626.2000.



imagination at work



Listed by
Underwriters
Laboratories

Specification Created 6/08

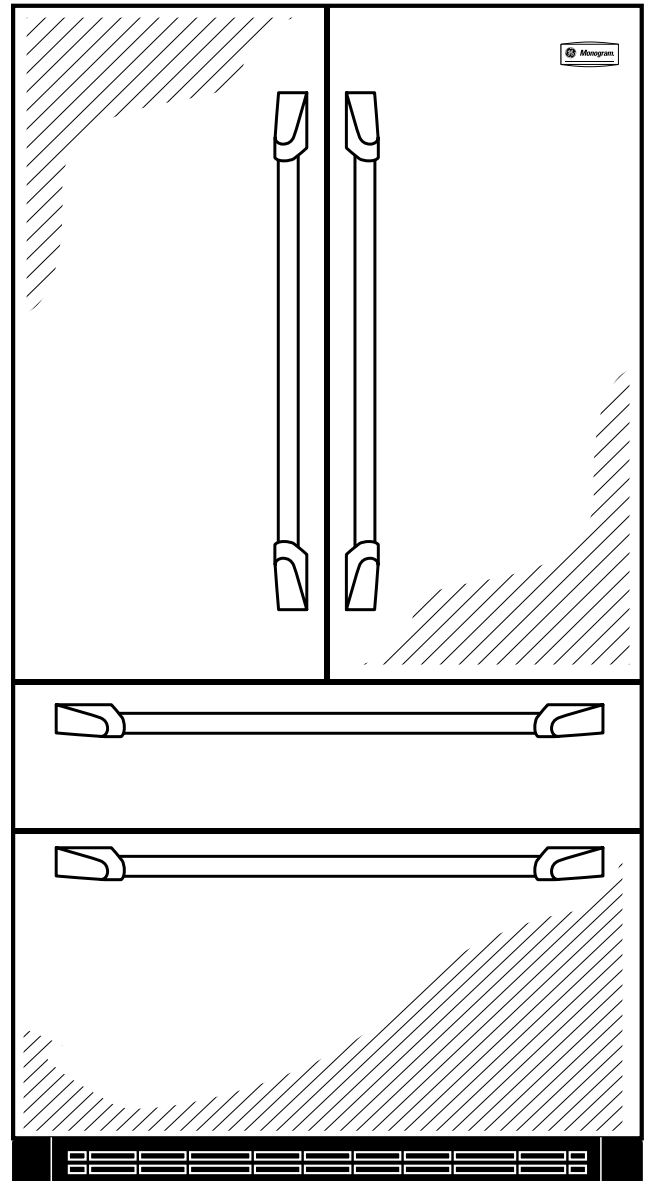
110215

ZFGP21HXSS

GE Monogram® 20.6 Cu. Ft. French Door Two Drawer Freestanding Refrigerator

Features and Benefits

- Professional Appearance - Featuring French-door styling with two refrigerator doors positioned above two pull-out freezer drawers, tubular handles and chamfered edges
- Advanced Temperature-Management System with Precise Electronic Controls - Maintains ideal storage conditions for fresh and frozen foods
- Internal Water Dispenser with GE Water Filtration - Delivers chilled fresh-tasting water
- GE Reveal™ Interior Lighting - Casts a clear, brilliant glow throughout the refrigerator
- Automatic Icemaker - Provides a ready supply of filtered ice
- Humidity-Controlled Drawers - Help preserve fruits, cheeses and vegetables
- Full-Width Deli Drawer - Allows party trays and larger items to fit easily and remain at the ideal temperature
- Five Gallon-Size Door Bins - Make room for milk and large containers
- Three Slide-Out Spillproof Shelves - Provide convenient storage for platters and deli trays
- QuickSpace™ Retractable Shelf - Slides out of the way to provide space for tall items
- Wire Can Rack, Dairy Bin and Adjustable Deli Drawer - Easily handles food and containers of various sizes
- GE Water-Filtration System - Provides clean, fresh-tasting water for the internal dispenser and freezer icemaker
- Two, Large Full-Extension Freezer Drawers - Have multiple bins and wire baskets that slide out independently for easy loading and unloading
- Model ZFGP21HXSS - Stainless steel



imagination at work

Free Manuals Download Website

<http://myh66.com>

<http://usermanuals.us>

<http://www.somanuals.com>

<http://www.4manuals.cc>

<http://www.manual-lib.com>

<http://www.404manual.com>

<http://www.luxmanual.com>

<http://aubethermostatmanual.com>

Golf course search by state

<http://golfingnear.com>

Email search by domain

<http://emailbydomain.com>

Auto manuals search

<http://auto.somanuals.com>

TV manuals search

<http://tv.somanuals.com>