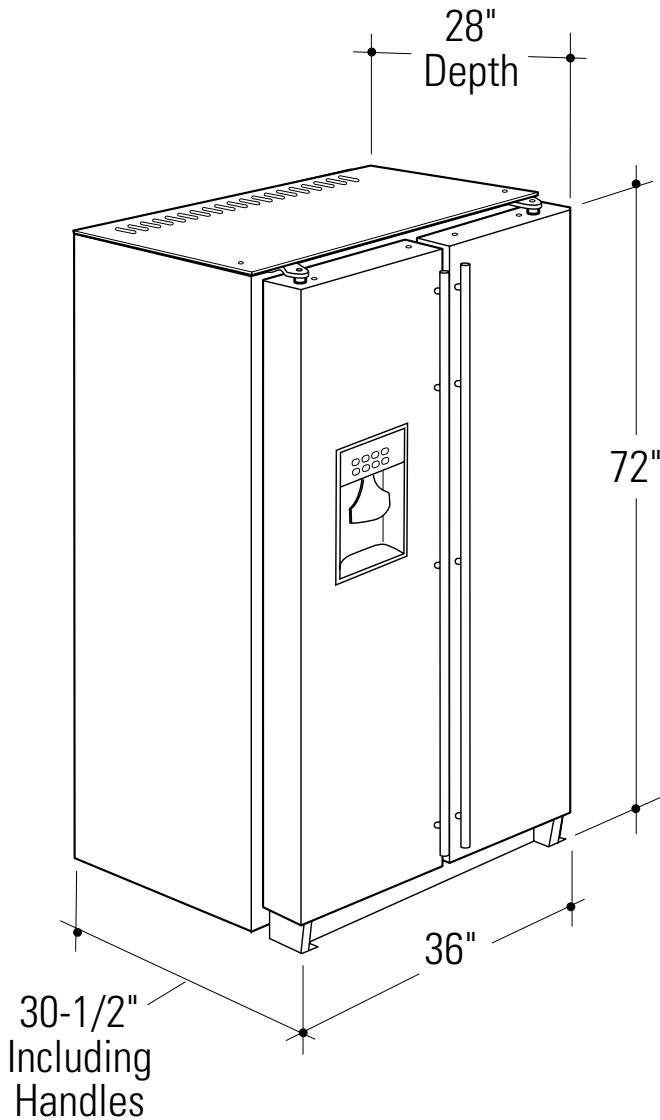


ZFSB25DXSS

GE Monogram® 24.6 Cu. Ft. Counter-Depth Free-Standing Side-by-Side Refrigerator with Dispenser

Dimensions and Specifications (in inches)



Additional Specifications:

A 115 volt, 20 amp power supply is required. An individual properly grounded branch circuit or circuit breaker is recommended, as noted on the rating plate.

Installation Information:

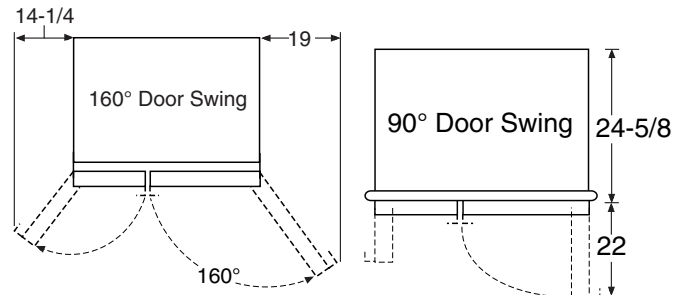
Before installing, consult installation instructions, packed with product, for current dimensional data.

Clearances:

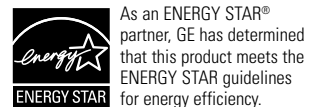
- Allow 1/8" on each side and 1" at the top and 1-1/2" at the back side for proper air circulation.

Installation in a corner:

- Allow 4" min. clearance on each side for a 90° opening and access to drawers.
- Allow 14-1/4" clearance on the freezer side for removal of ice bin.
- Allow 19" clearance on the fresh food side for removal of drawers.



For answers to your Monogram®, GE Profile™ or GE® appliance questions, visit our website at ge.com or call GE Answer Center® service, 800.626.2000.

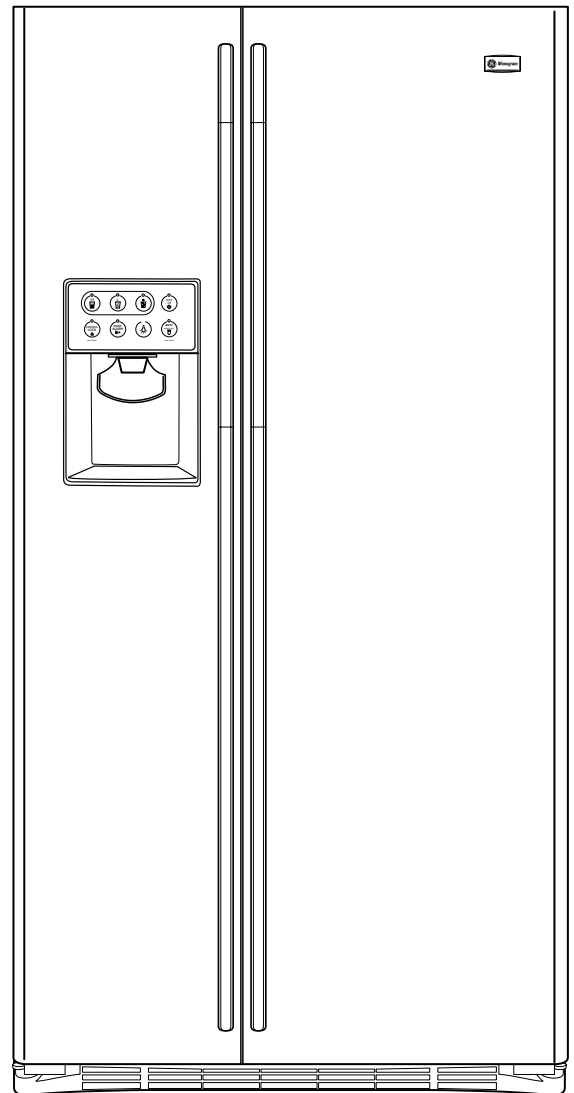


ZFSB25DXSS

GE Monogram® 24.6 Cu. Ft. Counter-Depth Free-Standing Side-by-Side Refrigerator with Dispenser

Features and Benefits

- Counter-Depth — Aligns nearly flush with surrounding cabinetry
- Integrated Design — Stainless steel-wrapped with signature Monogram handles matches with other Monogram integrated appliances
- Advanced Temperature Management System with Multi-Shelf Air Tower — Provides even distribution of air throughout the refrigerator
- Tri-Level Lighting - GE Reveal® and LED lighting illuminates the entire refrigerator
- Climate-Control Drawer —Express-chill beverages, express-thaw meats and select specific temperatures for perishable foods
- ENERGYSTAR® Qualification —Higher energy efficiency means lower utility bills
- Full-Extension Freezer Baskets — Extends 12" beyond the cabinet, providing easy loading and unloading
- Tilt-Out Freezer Door Bins - Move forward for convenient access
- Integrated Ice™ System - Frees up valuable freezer space; It tilts down, providing easy access to bulk ice
- GE Water Filtration System - Delivers clean great-tasting water and ice through the dispenser
- Adjustable Slide-Out, Spillproof Glass Shelves - Raised edges help contain spills and slide-out shelves make clean up quick and easy
- In-the-Door Beverage Rack - Conveniently located inside the refrigerator door to increase flexibility and to free up valuable shelf space
- Model ZFSB25DXSS – Stainless steel



imagination at work



Listed by
Underwriters
Laboratories



As an ENERGY STAR® partner, GE has determined that this product meets the ENERGY STAR guidelines for energy efficiency.

Specification Created 4/08

110213

Free Manuals Download Website

<http://myh66.com>

<http://usermanuals.us>

<http://www.somanuals.com>

<http://www.4manuals.cc>

<http://www.manual-lib.com>

<http://www.404manual.com>

<http://www.luxmanual.com>

<http://aubethermostatmanual.com>

Golf course search by state

<http://golfingnear.com>

Email search by domain

<http://emailbydomain.com>

Auto manuals search

<http://auto.somanuals.com>

TV manuals search

<http://tv.somanuals.com>