

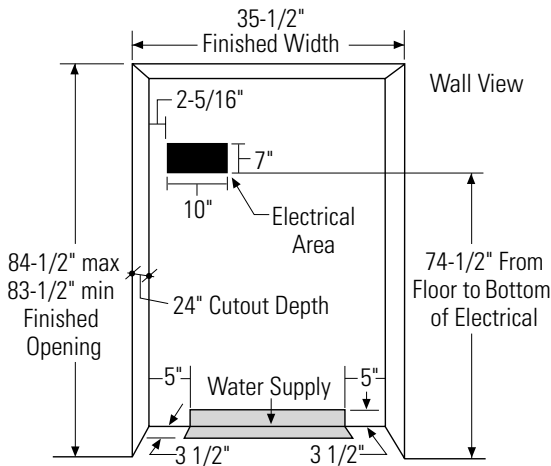


Monogram™

# ZIC360NM – GE Monogram 36" Built-In Bottom Freezer Refrigerator with Automatic Icemaker

## The Installation Space

The finished cabinet width must be 35-1/2".



## Water and Electrical Locations

Electrical and water supply must be located as shown.

### The cutout depth must be 24"

Designed for industry standard flush installation. The refrigerator will project forward, slightly beyond adjacent cabinetry, depending on your installation.

### Cutout depth beneath a soffit

When installed beneath a soffit, the soffit cannot exceed the 24" installation depth shown. The top case trim overlaps the bottom of the soffit.

### Frameless Cabinets

The case trim overlaps cabinets at the top and sides. Therefore, frameless cabinets may require filler strips to prevent interference with cabinet door swing. The opening must allow for filler strips.

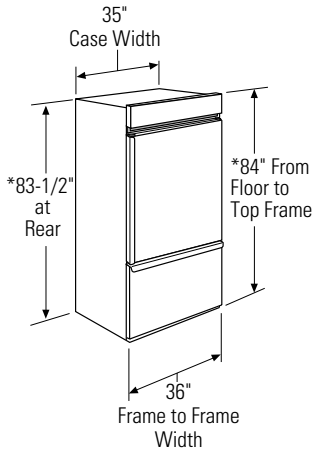
### Additional Specifications

- A 115 volt 60Hz., 15 or 20 amp power supply is required. An individual properly grounded branch circuit or circuit breaker is recommended. Install a properly grounded 3-prong electrical receptacle recessed into the back wall. Electrical must be located on rear wall as shown.

**Note:** GFI (grounded fault interrupter) is not recommended.

- Water line can enter the opening through the floor or back wall. The water line should be 1/4" O.D. copper tubing between the cold water line and water connection location, long enough to extend to the front of the refrigerator. Installation of an easily accessible shut off valve in the water line is recommended.

## Dimensions and Clearances



\* Shipping height. The refrigerator can be adjusted to fit into a cutout that is 83-1/2" min. to 84-1/2" max. height. Note that the top case trim at the front is 1/2" higher and will overlap upper cabinetry or soffit. Use leveling legs and wheels for height adjustment.

### Optional Panel Kits:

- ZPBC360: Black Panel Kit
- ZPWC360: White Panel Kit
- ZPSC360: Stainless Steel Panel Kit

### Optional Custom Trim Kits:

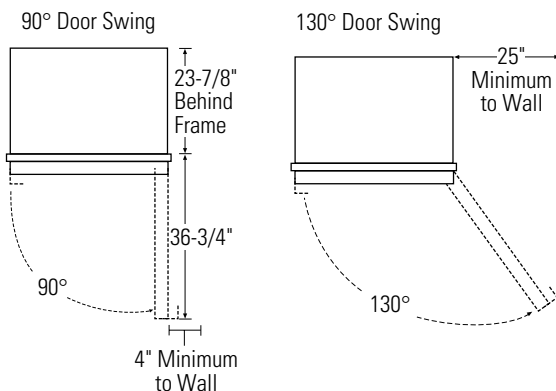
- ZKHCSS2: Tubular Stainless Steel handles
- ZUG2: Unified Grille Kit

### Product Clearances

These refrigerators are equipped with a 2 position door stop. The factory set 130° door swing can be adjusted to 90° if clearance to adjacent cabinets or walls is restricted.

Allow 25" minimum clearance for a full 130° door swing. Allow 15" for pan removal.

4" minimum clearance is required when door swing is adjusted to 90°. If the 90° door stop position is used, pan access is maintained, but pan removal is restricted.



Specification Revised 8/02

For answers to your Monogram® GE Profile™ or GE appliance questions, visit our website at [GEAppliances.com](http://GEAppliances.com) or call GE Answer Center® service, 800.626.2000.





Monogram™

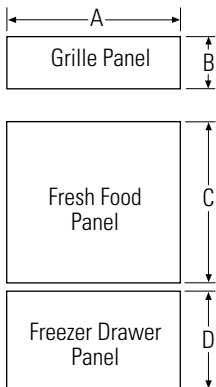
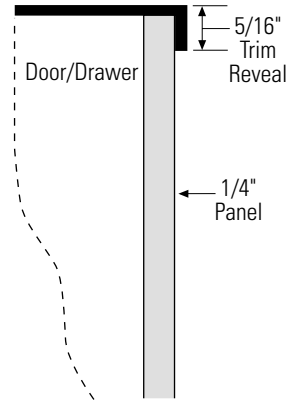
## ZIC360NM – GE Monogram 36" Built-In Bottom Freezer Refrigerator with Automatic Icemaker

### 1/4" FRAMED PANEL DIMENSIONS

If you choose to install framed panels, they must be cut to the dimensions shown. The panels will slide into the frame on the door, drawer and grille.

If the custom panel is less than 1/4" thick and if it fits loosely in the door frame, it can be backed up with a piece of filler material or foam tape to improve the fit.

**IMPORTANT NOTE:** Maximum weight for fresh food panel is 50 pounds and 30 pounds for freezer drawer panel.



### Framed Panel Dimensions

	A (Width)	B (Grille Height)	C (FF Height)	D (FZ Height)
1/4" Framed Panel	33-7/8"	8-7/8"	46-1/16"	21-7/8"

### Overlay Panel Dimensions

	A (Width)	B (Grille Height)	C (FF Height)	D (FZ Height)
1/4" Backer Panel	33-7/8"	8-7/8"	46-1/16"	21-7/8"
0.10" Spacer Panel	32-1/2"	7-5/8"	44-11/16"	20-1/2"
3/4" Overlay Panel	34-1/8"	9"	46-5/16"	22"

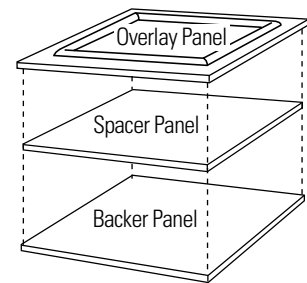
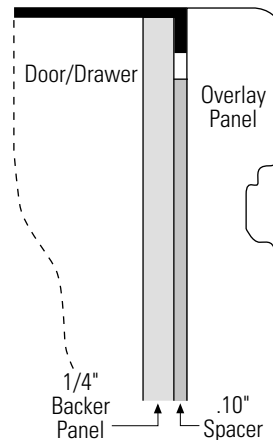
### 3/4" OVERLAY PANEL DIMENSIONS

For a more custom appearance, overlay panels may be installed on trimmed models. The overlay panel must be secured to a 1/4" thick backer panel which slides into the trim. A spacer panel 0.10" thick must be placed between the overlay and backer panel.

**IMPORTANT NOTE:** Maximum total weight for assembled fresh food panel is 50 pounds and 30 pounds for freezer drawer panel.

Assemble the panels with glue and screws.

- Center the spacer panel on the backer panel, left to right and top to bottom. Secure the panels with glue.
- Center the spacer and backer panel on the overlay panel and secure with glue and screws. Screws must be countersunk into the backer panel.



**Note:** Left-to-right offset is not always equal to top-to-bottom offset.

For answers to your Monogram®, GE Profile™ or GE appliance questions, visit our website at [GEAppliances.com](http://GEAppliances.com) or call GE Answer Center® service, 800.626.2000.



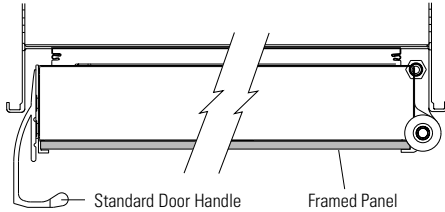
Specification Revised 8/02



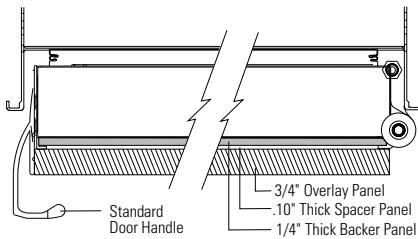
Monogram™

# ZIC360NM – GE Monogram 36" Built-In Bottom Freezer Refrigerator with Automatic Icemaker

## Design Guide



Standard supplied handles shown in 1/4" panel position.



Standard supplied handles shown in 3/4" overlay panel position.

### Framed panels

You may install 1/4" thick custom panels from your cabinet manufacturer. The decorative panel slides into the factory installed trim. Or, order black, white and stainless steel accessory panels from your Monogram dealer.

### Overlay panels

You may also choose to install custom overlay panels from your cabinet manufacturer. This design provides a seamless appearance which integrates smoothly with surrounding cabinetry.

### Door and Drawer Handles

The standard supplied handles can be adjusted to accommodate both framed or overlay panels. Custom handles of your choice, supplied by your cabinet maker can also be installed. If desired, you may order ZKHCSS2 Monogram stainless steel tubular handle kit for overlay panels.

### Side Panels

Side panels must be used whenever the sides of the refrigerator will be exposed.

### Optional Accessory Kits

- ZKHCSS2: Monogram Tubular Stainless Steel handles designed to fit overlay panels.
- ZUG2: For side by side installation of two trimmed bottom-freezer refrigerators. This kit provides for the installation of a unified custom grille panel to span the width of two units using a framed or overlay panel.

### Accessory Panels

White, black and stainless steel accessory panels are available from your Monogram dealer. Panels are cut to size and ready to install.

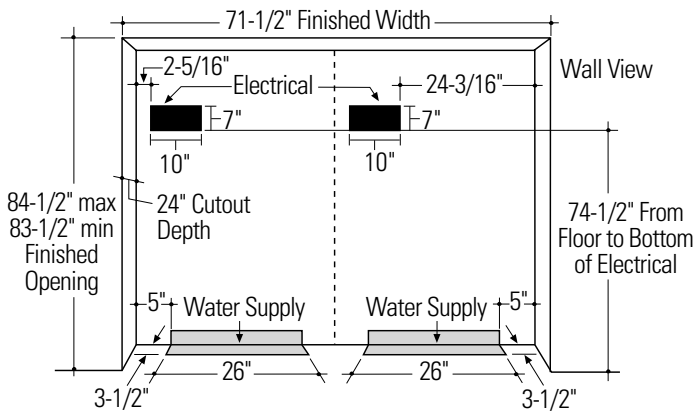
ZPBC360 – Black, ZPWC360 – White, ZPSC360 – Stainless Steel Panels

### ZUG2 Unified Grille Panel Kit

- If you are installing two refrigerators, side by side, the installation space must be 71-1/2" wide.

**Note:** Additional cutout width may be required when side panels are used. Add side panel thickness to the finished cutout to calculate rough-in width.

- The water and electrical locations for each product must be located as shown.
- A separate 115V, 60Hz., 15 or 20 amp power supply is recommended for each product.



For answers to your Monogram® GE Profile™ or GE appliance questions, visit our website at [GEAppliances.com](http://GEAppliances.com) or call GE Answer Center® service, 800.626.2000.

Specification Revised 8/02

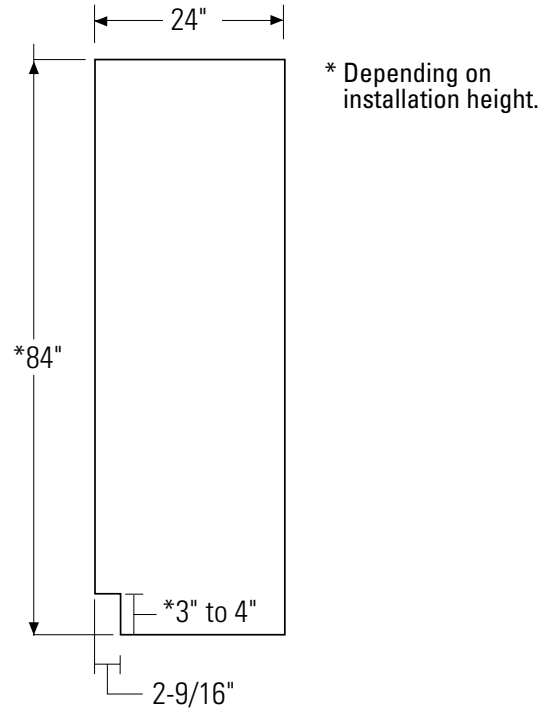


Monogram™

## ZIC360NM – GE Monogram 36" Built-In Bottom Freezer Refrigerator with Automatic Icemaker

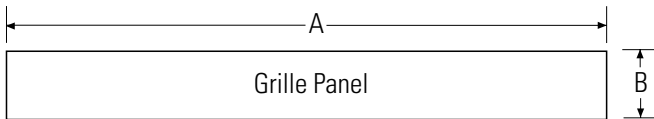
### SIDE PANELS

Side panels must be used whenever the sides of the refrigerator will be exposed. The 1/4" side panels will slip into the side case trim. Order the side panels from the cabinet manufacturer.



### ZUG2 GRILLE PANEL DIMENSIONS

The ZUG2 unified grille panel kit provides for the installation of a framed or overlay grille panel.

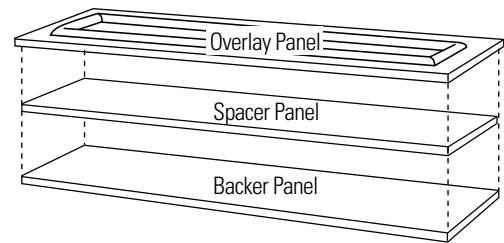


#### Framed Panel Dimensions

	A (Width)	B (Height)
1/4" Framed Panel	69-7/8"	8-7/8"

#### Overlay Panel Dimensions

	A (Width)	B (Height)
1/4" Backer Panel	69-7/8"	8-7/8"
0.10" Spacer Panel	68-1/2"	7-5/8"
3/4" Overlay Panel	70-1/8"	9"



Assemble the overlay panels in the same manner as the door and drawer panels.



Listed by Underwriters Laboratories

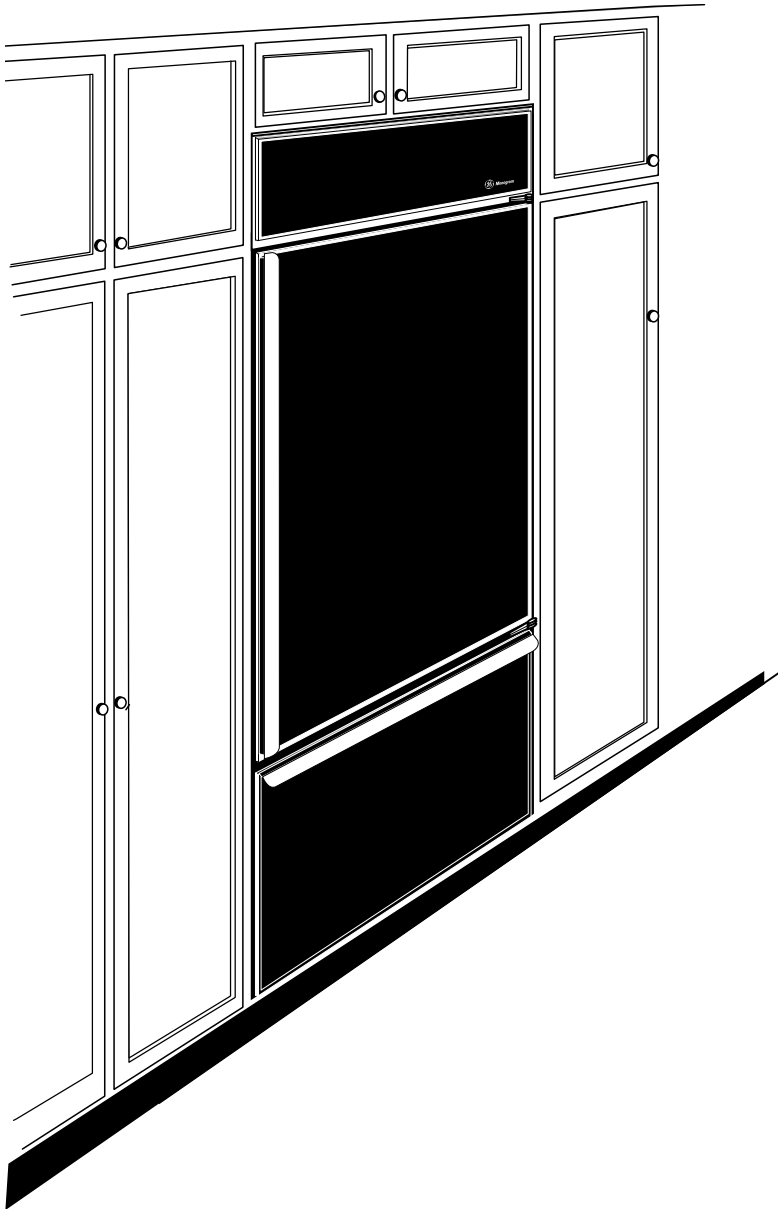
Specification Revised 8/02

For answers to your Monogram®, GE Profile™ or GE appliance questions, visit our website at [GEAppliances.com](http://GEAppliances.com) or call GE Answer Center® service, 800.626.2000.



**Monogram™**

## **ZIC360NM – GE Monogram 36" Built-In Bottom Freezer Refrigerator with Automatic Icemaker**



### **Features and Benefits**

- 20.6 Cu. Ft. Capacity (Fresh Food 14.5 Cu. Ft./Freezer 6.1 Cu. Ft.)
- Equipped with Factory Installed Automatic Icemaker with Removable Ice Storage Bin
- Upfront Dual Electronic Controls
- Multi-Shelf Air Management Tower
- 2 Sealed, Adjustable Humidity Produce Pans with Easy Access Lids and Full Extension Slides
- 2 Sealed Slide-Out Deli Pans
- Adjustable Spill-Proof Glass Shelves
- 6 Adjustable Fresh Food Door Bins
- Gallon Door Storage
- 2 Sealed Dairy Compartments with Glass-Covered Butter Dish
- Egg Bin
- Wine Caddy
- Freezer Drawer on Full Extension Slides
- Independent Utility Basket on Full Extension Slides
- GE SmartWater Filtration System
- Model ZIC360NMRH – Right-handed door swing (Door panels required)
- Model ZIC360NMLH – Left-handed door swing (Door panels required)

**Specification Revised 8/02**

## Free Manuals Download Website

<http://myh66.com>

<http://usermanuals.us>

<http://www.somanuals.com>

<http://www.4manuals.cc>

<http://www.manual-lib.com>

<http://www.404manual.com>

<http://www.luxmanual.com>

<http://aubethermostatmanual.com>

Golf course search by state

<http://golfingnear.com>

Email search by domain

<http://emailbydomain.com>

Auto manuals search

<http://auto.somanuals.com>

TV manuals search

<http://tv.somanuals.com>