

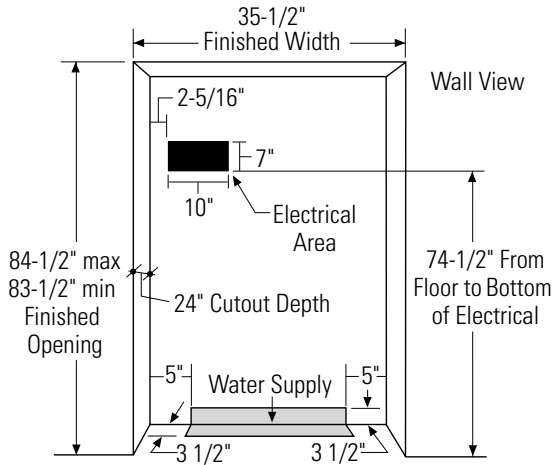


Monogram™

ZICS360NM – GE Monogram 36" Built-In Stainless Steel Bottom Freezer Refrigerator with Automatic Icemaker

The Installation Space

The finished cabinet width must be 35-1/2".



Water and Electrical Locations

Electrical and water supply must be located as shown.

The cutout depth must be 24"

Designed for industry standard flush installation. The refrigerator will project forward, slightly beyond adjacent cabinetry, depending on your installation.

Cutout depth beneath a soffit

When installed beneath a soffit, the soffit cannot exceed the 24" installation depth shown. The top case trim overlaps the bottom of the soffit.

Frameless Cabinets

The case trim overlaps cabinets at the top and sides. Therefore, frameless cabinets may require filter strips to prevent interference with cabinet door swing. The opening must allow for filter strips.

Additional Specifications

- A 115 volt 60Hz., 15 or 20 amp power supply is required. An individual properly grounded branch circuit or circuit breaker is recommended. Install a properly grounded 3-prong electrical receptacle recessed into the back wall. Electrical must be located on rear wall as shown.

Note: GFI (grounded fault interrupter) is not recommended.

- Water line can enter the opening through the floor or back wall. The water line should be 1/4" O.D. copper tubing between the cold water line and water connection location, long enough to extend to the front of the refrigerator. Installation of an easily accessible shut off valve in the water line is recommended.

Optional Custom Trim Kits:

- ZUGSS2: Unified Stainless Steel Grille Kit

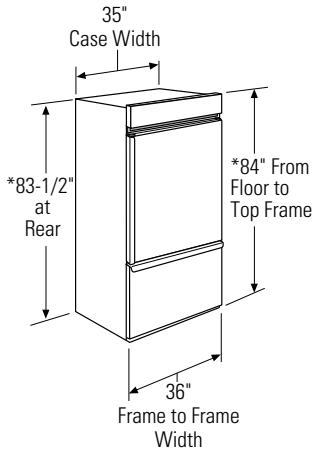
Product Clearances

These refrigerators are equipped with a 2 position door stop. The factory set 130° door swing can be adjusted to 90° if clearance to adjacent cabinets or walls is restricted.

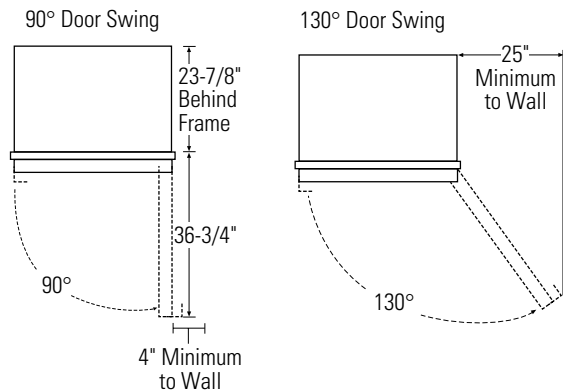
Allow 25" minimum clearance for a full 130° door swing. Allow 15" for pan removal.

4" minimum clearance is required when door swing is adjusted to 90°. If the 90° door stop position is used, pan access is maintained, but pan removal is restricted.

Dimensions and Clearances



* Shipping height. The refrigerator can be adjusted to fit into a cutout that is 83-1/2" min. to 84-1/2" max. height. Note that the top case trim at the front is 1/2" higher and will overlap upper cabinetry or soffit. Use leveling legs and wheels for height adjustment.



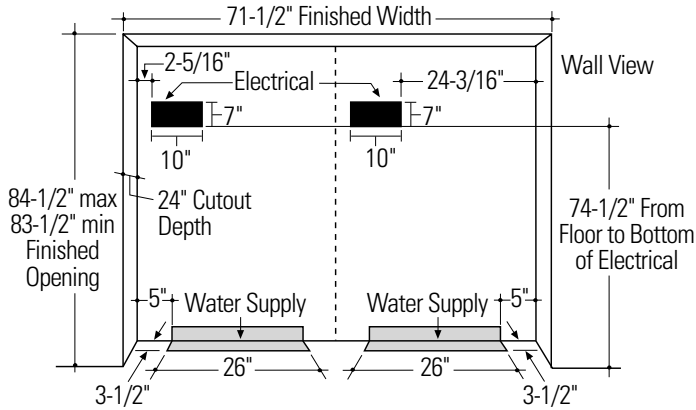
For answers to your Monogram®, GE Profile™ or GE appliance questions, visit our website at GEAppliances.com or call GE Answer Center® service, 800.626.2000.

Specification Revised 8/02



Monogram™

ZICS360NM – GE Monogram 36" Built-In Stainless Steel Bottom Freezer Refrigerator with Automatic Icemaker



ZUGSS2 Unified Grille Panel Kit

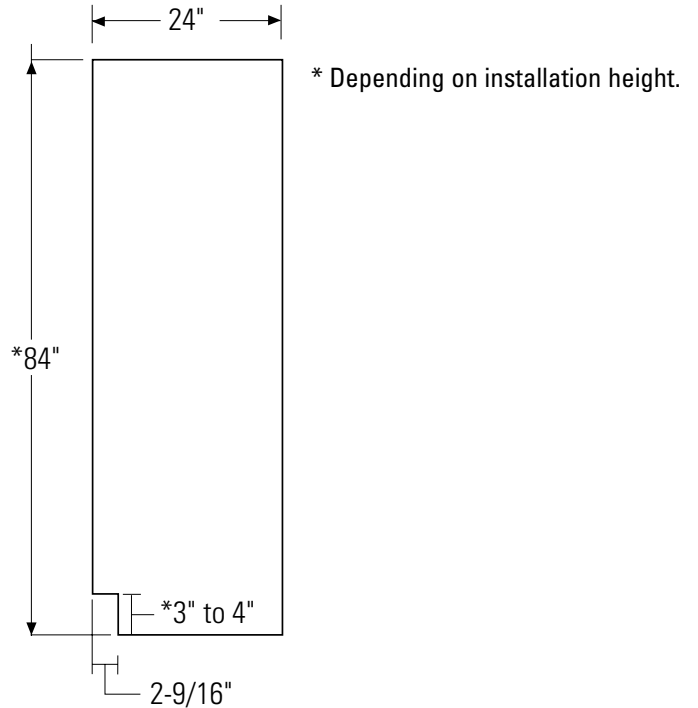
- For side by side installation of two stainless steel wrapped bottom-freezer refrigerators. This kit provides a unified stainless steel grille panel to span the width of two units.
- If you are installing two refrigerators, side by side, the installation space must be 71-1/2" wide.

Note: Additional cutout width may be required when side panels are used. Add side panel thickness to the finished cutout to calculate rough-in width.

- The water and electrical locations for each product must be located as shown.
- A separate 115V, 60Hz., 15 or 20 amp power supply is recommended for each product.

SIDE PANELS

Side panels must be used whenever the sides of the refrigerator will be exposed. The 1/4" side panels will slip into the side case trim. Order the side panels from the cabinet manufacturer.



Listed by
Underwriters
Laboratories

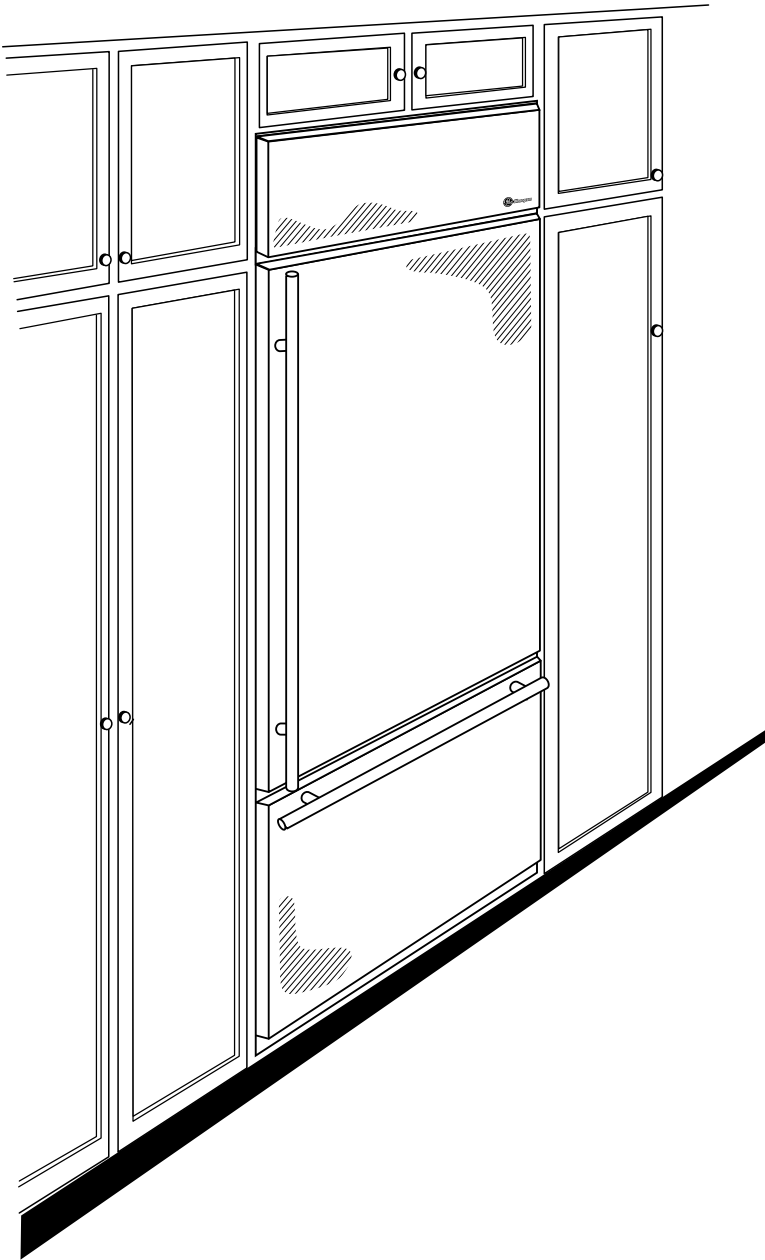
For answers to your Monogram®, GE Profile™ or GE appliance questions, visit our website at GEAppliances.com or call GE Answer Center® service, 800.626.2000.

Specification Revised 8/02



Monogram™

ZICS360NM – GE Monogram 36" Built-In Stainless Steel Bottom Freezer Refrigerator with Automatic Icemaker



Features and Benefits

- 20.6 Cu. Ft. Capacity (Fresh Food 14.5 Cu. Ft./Freezer 6.1 Cu. Ft.)
- Equipped with Factory Installed Automatic Icemaker with Removable Ice Storage Bin
- Upfront Dual Electronic Controls
- Multi-Shelf Air Management Tower
- 2 Sealed, Adjustable Humidity Produce Pans with Easy Access Lids and Full Extension Slides
- 2 Sealed Slide-Out Deli Pans
- Adjustable Spill-Proof Glass Shelves
- 6 Adj. Fresh Food Door Bins
- Gallon Door Storage
- 2 Sealed Dairy Compartments with Glass-Covered Butter Dish
- Egg Bin
- Wine Caddy
- Freezer Drawer on Full Extension Slides
- Independent Utility Basket on Full Extension Slides
- GE SmartWater Filtration System
- Model ZICS360NMRH – Right-handed door swing (Stainless steel wrap)
- Model ZICS360NMLH – Left-handed door swing (Stainless steel wrap)

Specification Revised 8/02

Free Manuals Download Website

<http://myh66.com>

<http://usermanuals.us>

<http://www.somanuals.com>

<http://www.4manuals.cc>

<http://www.manual-lib.com>

<http://www.404manual.com>

<http://www.luxmanual.com>

<http://aubethermostatmanual.com>

Golf course search by state

<http://golfingnear.com>

Email search by domain

<http://emailbydomain.com>

Auto manuals search

<http://auto.somanuals.com>

TV manuals search

<http://tv.somanuals.com>