

# Installation Instructions

## Built-In Wall Oven

27" (68.6 cm) models

JCKS10, JCKP30, JCKP70, PCK916, PCK920

30" (76.2 cm) models

JCTP30, JCTP70, PCT916, PCT920

If you have questions, call 1.800.561.3344 or visit our website at: [www.geappliances.ca](http://www.geappliances.ca)

## Before You Begin

Read these instructions carefully and completely.

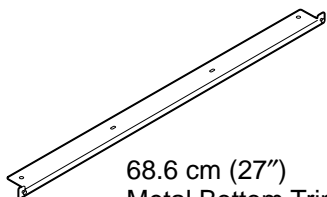
- **IMPORTANT**—Save these instructions for local inspector's use.
- **IMPORTANT**—Observe all governing codes and ordinances.
- **Note to Installer**—Be sure to leave these instructions with the consumer.
- **Note to Consumer**—Keep these instructions for future reference.
- Proper installation is the responsibility of the installer and product failure due to improper installation is NOT covered under warranty.
- **NOTE**—This appliance must be properly grounded.
- **ATTENTION INSTALLER**  
All electric wall ovens must be hard wired (direct wired) into an approved junction box. A plug and receptacle is NOT permitted on these products.

## Parts Included

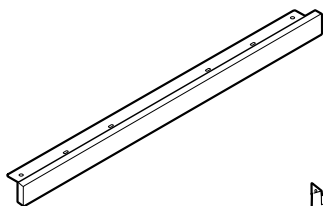
(Appearance will vary.)



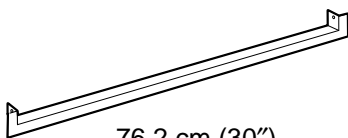
Screws for Installation  
(8-18 x .750 flat head  
Phillips wood screws)



68.6 cm (27")  
Metal Bottom Trim



WB07T10578 – Black  
WB07T10579 – SS  
Optional 68.6 cm (27")  
Metal Bottom Trim Assembly  
(on some models or can be  
purchased separately)



76.2 cm (30")  
Metal Bottom Trim  
Assembly

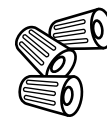
## Materials Needed



Strain Relief Clamp  
for 1/2" conduit



Junction  
Box

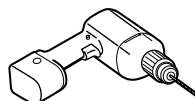


Wire Nuts



91 cm (36") of String

## Tools Needed



1/8" (3 mm) Drill Bit and  
Electric or Hand Drill



Phillips  
Screwdriver

# Installation Instructions

## IMPORTANT SAFETY INSTRUCTIONS

### For Your Safety

- Be sure your oven is installed properly by a qualified installer or service technician.
- Be sure the oven is securely installed in a cabinet that is firmly attached to the house structure. Weight on the oven door could cause the oven to tip and result in injury. Never allow anyone to climb, sit, stand or hang on the oven door.
- Make sure the cabinets and wall coverings around the oven can withstand the temperatures (up to 93°C [200°F]) generated by the oven.



**WARNING:** The electrical power to the oven supply line must be shut off while line connections are being made. Failure to do so could result in serious injury or death.

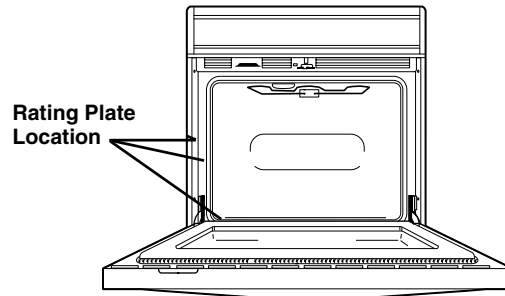
### Electrical Requirements

This appliance must be supplied with the proper voltage and frequency, and connected to an individual, properly grounded branch circuit, protected by a circuit breaker or fuse. See the rating plate located on the oven frame to determine the rating of the product. Use the chart below to determine the minimum recommended dedicated circuit protection.

KW Rating 240V	KW Rating 208V	Recommended Circuit Size (Dedicated)
≤4.8 KW	≤4.1 KW	20 Amp
4.9 KW–7.2 KW	4.3 KW–6.2 KW	30 Amp
7.3 KW–9.6 KW	6.3 KW–8.3 KW	40 Amp
9.7 KW–12.0 KW	8.4 KW–10.4 KW	50 Amp

### Electrical Requirements (cont.)

Rating Plate is located on oven side trim, side front frame or lower front frame.



We recommend you have the electrical wiring and hookup of your oven connected by a qualified electrician. After installation, have the electrician show you where your main oven disconnect is located.

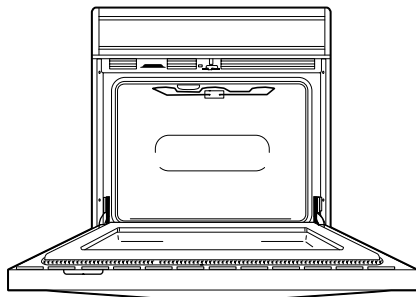
Check with your local utilities for electrical codes which apply in your area. Failure to wire your oven according to governing codes could result in a hazardous condition. If there are no local codes, your oven must be wired and fused to meet the requirements of CAN/CSA C22.2 No. O-M91 or latest edition.

You must use a three-wire, single-phase A.C. 208Y/120 Volt or 240/120 Volt, 60 hertz electrical system. If you connect to aluminum wiring, properly installed connectors approved for use with aluminum wiring must be used.

# Installation Instructions

## ✓ Pre-Installation Checklist

- ✓ Remove packaging materials. Check behind hinges and under false bottom. Remove labels on the outside of the door, plastic on trims and panel, all tape around the oven and any shipping screws securing the oven to the base pad.



Oven Racks



Literature Pack

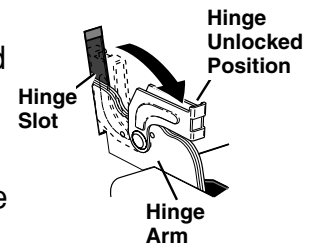
- ✓ Open oven door and remove literature pack and oven racks.
- ✓ Remove Installation Instructions from literature pack and read them carefully before you begin. Be sure to place all literature, Owner's Manual, Installations, etc. in a safe place for future reference.



Door removal is not a requirement for installation of the product, but is an added convenience. To remove the door:

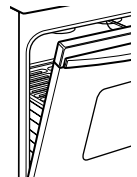
- ✓ Open the oven door as far as it will go.

- ✓ Push both hinge locks down toward the door frame, to the unlocked position. This may require a flat blade screwdriver.

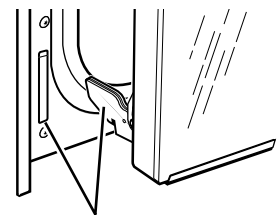


**DO NOT LIFT THE DOOR BY THE HANDLE!**

- ✓ Place hands on both sides of the door, and close the oven door to the removal position, which is most of the way closed.



- ✓ Lift door up and out until the hinge arms clear the slots.



Hinge Clears Slot

**NOTE: The oven door is very heavy. Be sure you have a firm grip before lifting the oven door off the hinges. Use caution once the door is removed. Do not lay the door on its handle. This could cause dents or scratches.**

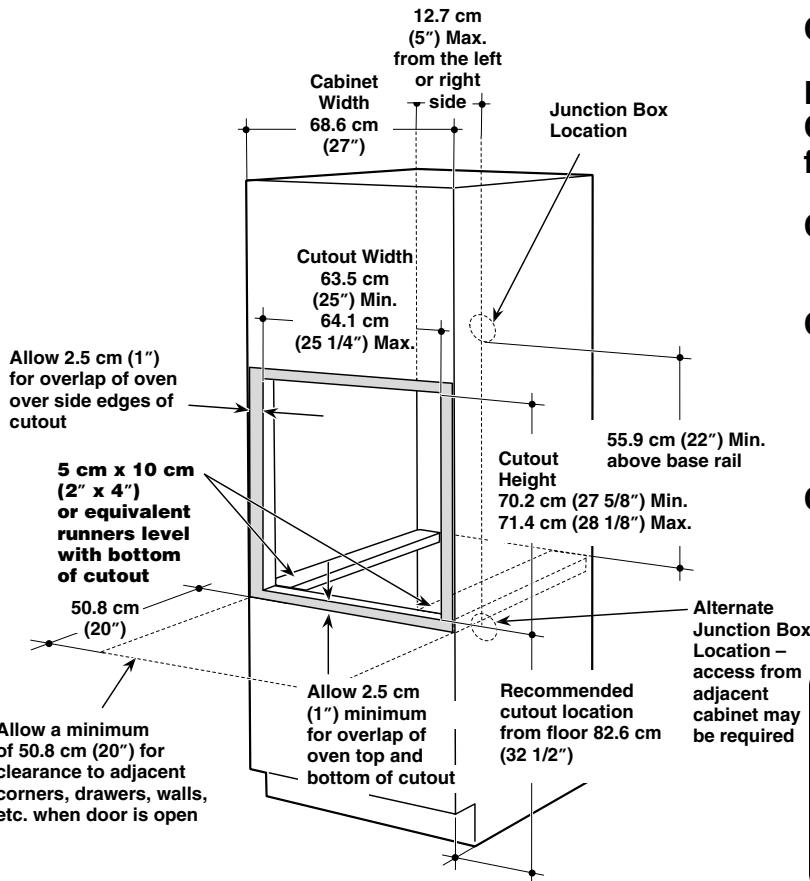
- ✓ Place the oven on a table or platform even with the cutout opening. (Platform must support 68 Kg [150 lbs.] )

- ✓ Remove the bottom trim from the top of the oven. It will be installed at the end of the installation process. The trim is wrapped separately and taped to the top of the unit

# Installation Instructions

## A Cutout for 27" (68.6 cm) Single Built-In Ovens only

For JCKP30, JCKP70, JCKS10, PCK916, PCK920 models only.

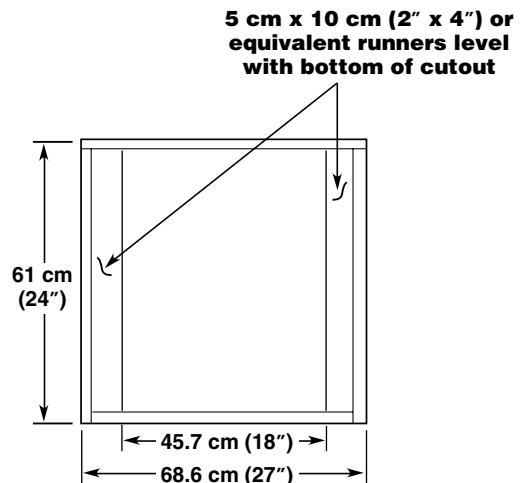


<b>Cabinet Width</b>	<b>68.6 cm (27")</b>
<b>Recommended Cutout Location from Floor</b>	<b>82.6 cm (32 1/2")</b>
<b>Cutout Depth</b>	<b>59.7 cm (23 1/2") Min.</b>
<b>Cutout Width</b>	<b>63.5 cm (25") Min. 64.1 cm (25 1/4") Max.</b>
<b>Cutout Height</b>	<b>70.2 cm (27 5/8") Min. 71.4 cm (28 1/8") Max.</b>

**NOTE: If the cabinet does not have a front frame and the sides are less than 1.9 cm (3/4") thick, shim both sides equally to establish the cutout width.**

If the cabinet does not have a solid bottom, two braces or runners must be installed level with the bottom of the cutout to support the weight of the oven. For single ovens, the runners and braces must support 68 kg (150 lbs.).

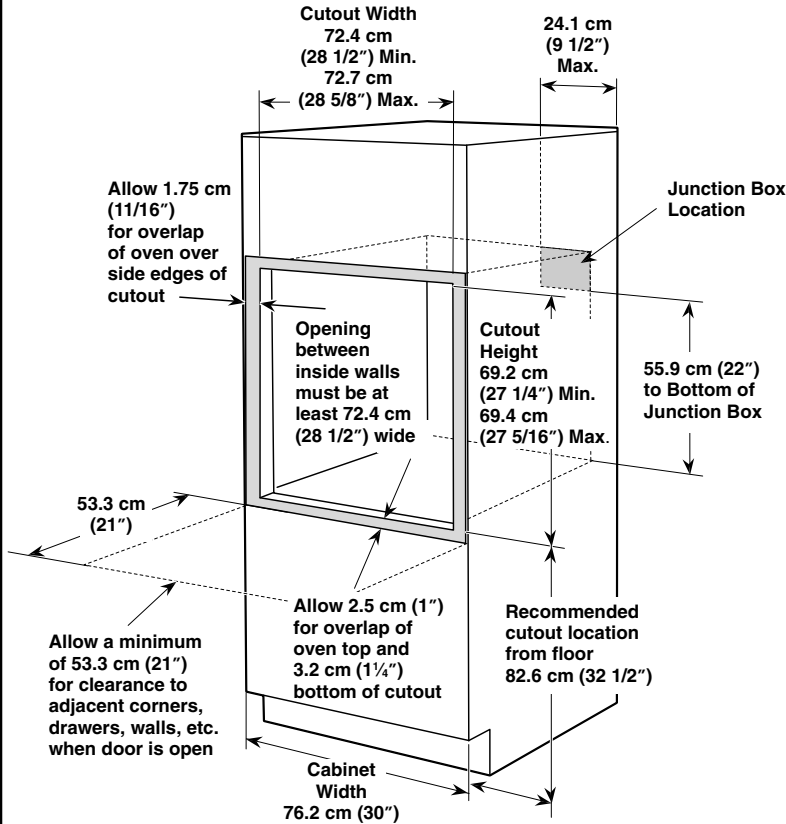
**NOTE: If marks, blemishes or the cutout opening are visible above the installed oven, it may be necessary to add wood shims under the runners and front trim until the marks or opening are covered.**



**These ovens are not approved for stackable installation.**

# Installation Instructions

## A Cutout for 30" (76.2 cm) Single Built-In Ovens only For JCTP30, JCTP70, PCT916, PCT920 models only.

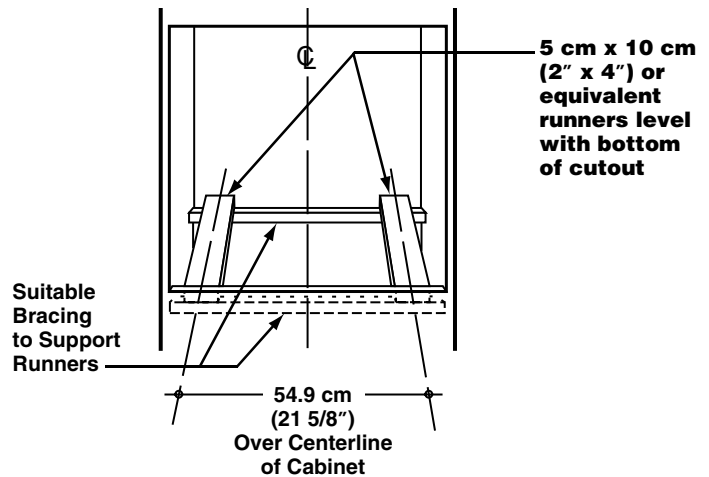


<b>Cabinet Width</b>	<b>76.2 cm (30")</b>
<b>Recommended Cutout Location from Floor</b>	<b>82.6 cm (32 1/2")</b>
<b>Cutout Depth</b>	<b>59.7 cm (23 1/2") Min.</b>
<b>Cutout Width</b>	<b>72.4 cm (28 1/2") Min.</b>
	<b>72.7 cm (28 5/8") Max.</b>
<b>Cutout Height</b>	<b>69.2 cm (27 1/4") Min.</b>
	<b>69.4 cm (27 5/16") Max.</b>

**NOTE: If the cabinet does not have a front frame and the sides are less than 1.9 cm (3/4") thick, shim both sides equally to establish the cutout width.**

If the cabinet does not have a solid bottom, two braces or runners must be installed level with the bottom of the cutout to support the weight of the oven. For single ovens, the runners and braces must support 68 kg (150 lbs.).

**NOTE: If marks, blemishes or the cutout opening are visible above the installed oven, it may be necessary to add wood shims under the runners and front trim until the marks or opening are covered.**

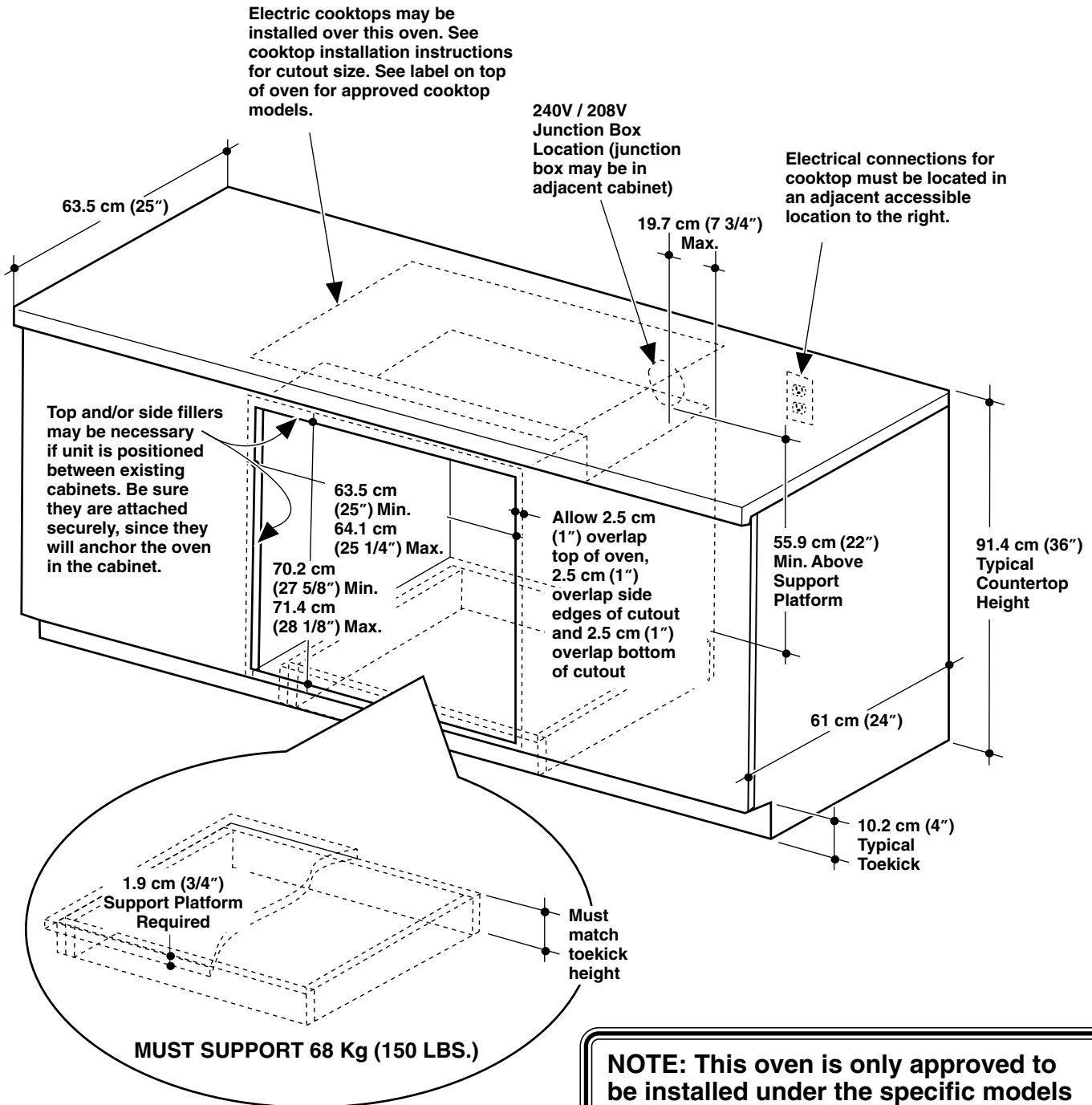


**These ovens are not approved for stackable installation.**

# Installation Instructions

## A Cutout for 27" (68.6 cm) Single Built-In Ovens only Under Counter

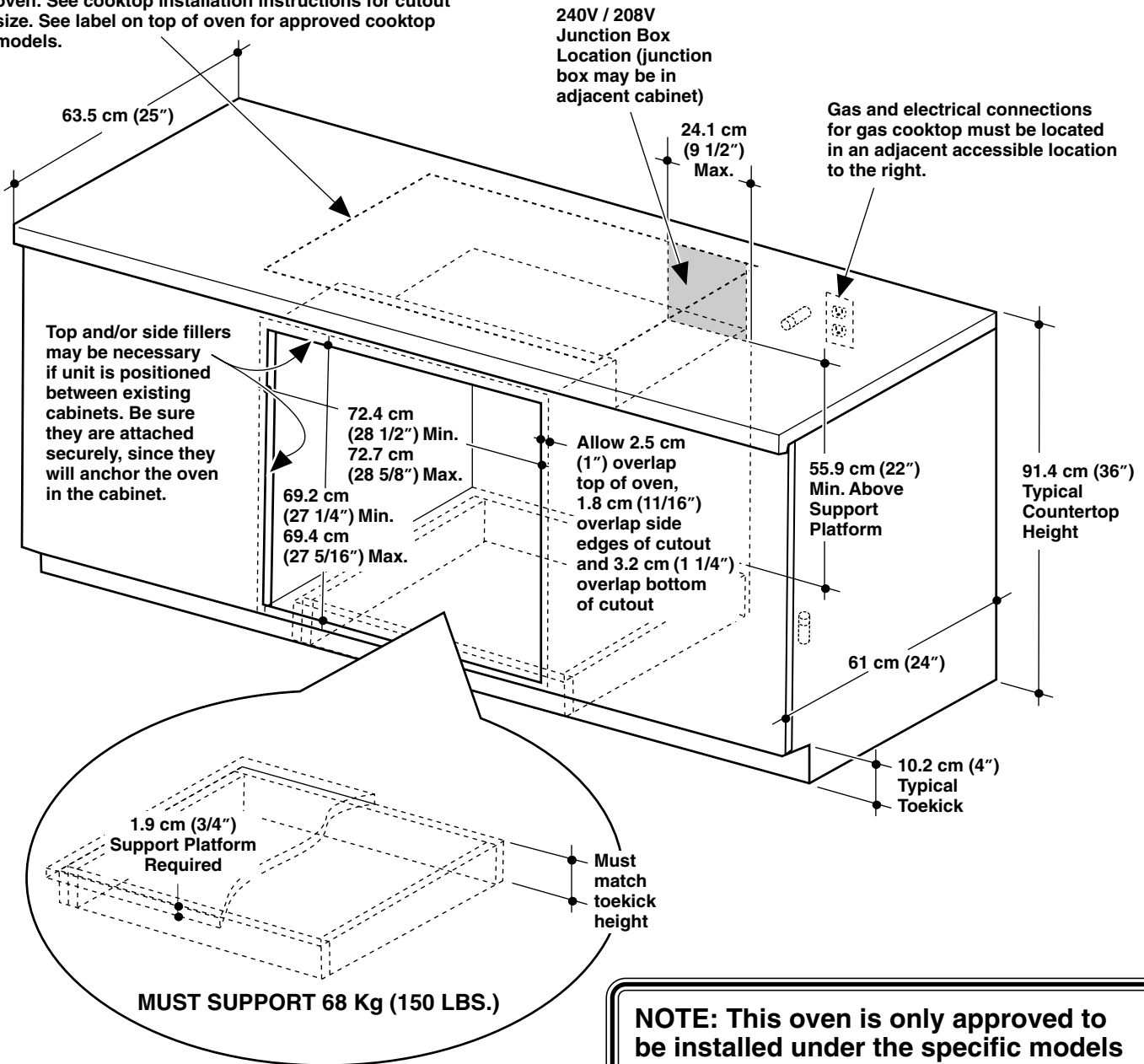
For JCKP30, JCKP70, JCKS10, PCK916, PCK920 models only.



# Installation Instructions

## A Cutout for 30" (76.2 cm) Single Built-In Ovens only Under Counter For JCTP30, JCTP70, PCT916, PCT920 models only.

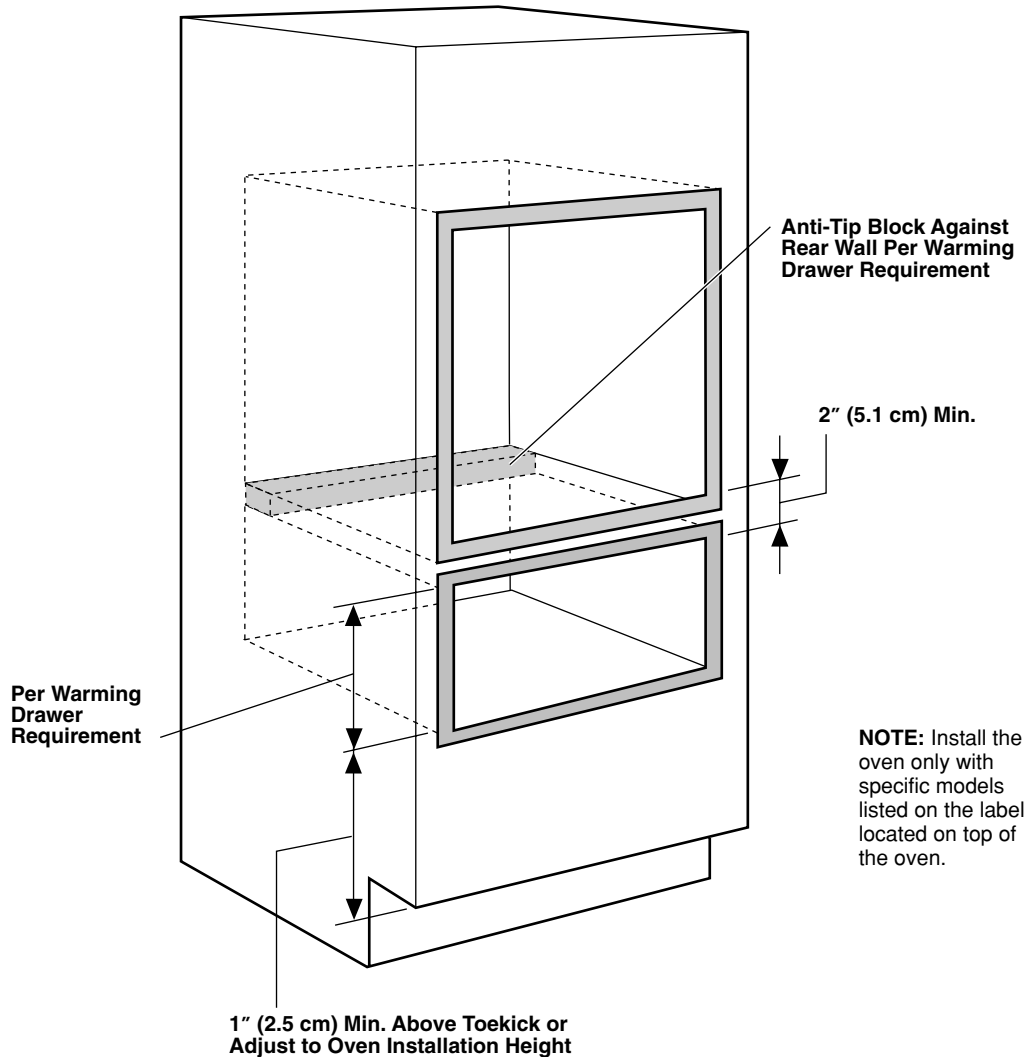
Gas or electric cooktops may be installed over this oven. See cooktop installation instructions for cutout size. See label on top of oven for approved cooktop models.



# Installation Instructions

## **A** Cutout for 30" (76.2 cm) Single Built-In Ovens only – Over a Warming Drawer

For JCTP30, JCTP70, PCT916, PCT920 models only.



**NOTE:** Additional clearances between cutouts may be required. Check to be sure the oven supports above the Warming Drawer location do not obstruct the required interior depth and height.

- When installing a Warming Drawer below a single oven, a separate 120V, 60 Hz, properly grounded receptacle must be installed. Refer to installation instructions packed with the Warming Drawer for specific installation requirements.



# Installation Instructions

## B Electrical Connections

### ATTENTION INSTALLER

All electric wall ovens must be hard wired (direct wired) into an approved junction box. A plug and receptacle is NOT permitted on these products.

DO NOT shorten the flexible conduit. The conduit strain relief clamp must be securely attached to the junction box and the flexible conduit must be securely attached to the clamp. If the flexible conduit will not fit within the clamp, do not install the oven until a clamp of the proper size is obtained.

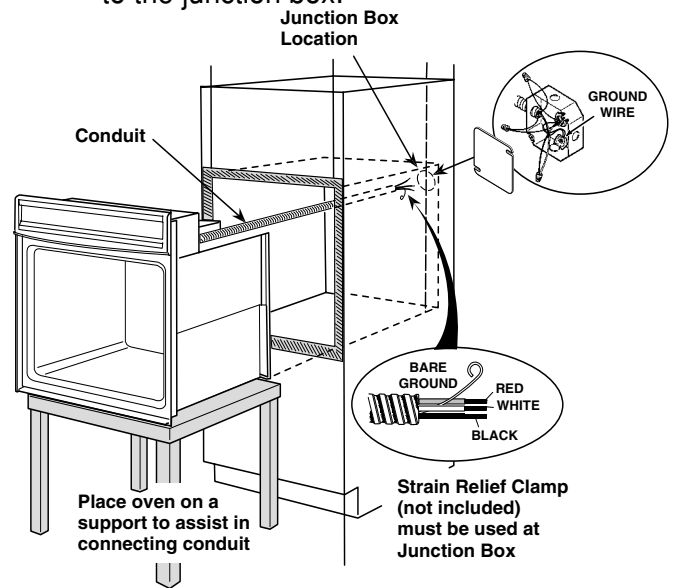
**NOTE TO ELECTRICIAN:** The 3 power leads supplied with this appliance are CSA recognized for connection to heavier gauge household wiring. The insulation of these 3 leads is rated at temperatures much higher than the temperature rating of household wiring. The current carrying capacity of the conductor is governed by the wire gauge and the temperature rating of the insulation around the wire.



**WARNING:** Improper connection of aluminum house wiring to copper leads can result in an electrical hazard or fire. Use only connectors designed for joining copper to aluminum and follow the manufacturer's recommended procedure closely.

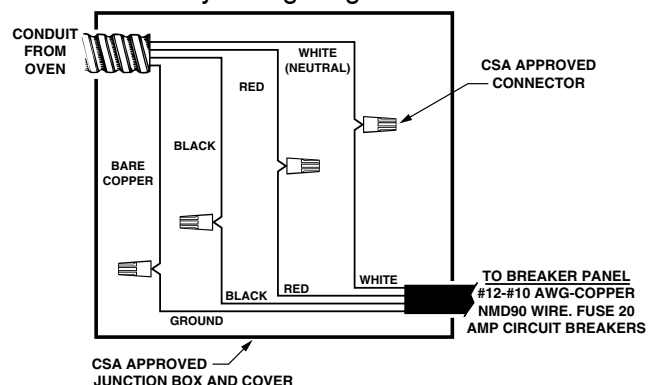
**B1** Turn off the circuit breaker or remove fuses to the oven branch circuit.

**B2** With the oven supported on a table or platform in front of the cabinet opening, connect the flexible conduit to the electrical junction box as shown below. Position the conduit in such a manner that it will lie on top of the oven in a natural loop when the oven is installed. You will need to purchase an appropriate strain relief clamp to complete the connection of the conduit to the junction box.



**B3** This oven is supplied with a 123 cm (48") long flexible conduit consisting of:  
3 insulated conductors (copper)  
1 bare ground conductor (copper)

**B4** Attach conductors to residence wiring as shown by wiring diagram.

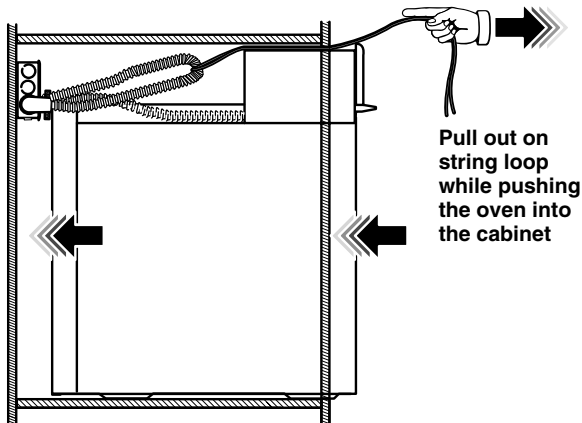


# Installation Instructions

## C Securing the Oven in the Opening

### C1 Sliding the Oven Into the Opening

- a. Loop (do not tie) a 91 cm (36") string around the conduit before the oven is slid into place. This will keep the conduit from falling behind the oven.

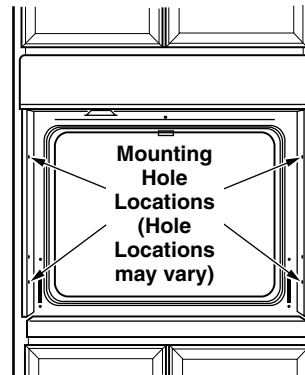


- b. Lift oven into cabinet cutout using the oven opening as a grip. Carefully push against oven front frame. Do not push against outside edges.
- c. As you slide the oven back, pull the string so that the conduit will lie on top of the oven in a natural loop.
- d. When you are sure the conduit is out of the way, slide the oven 3/4 way back into the opening. Remove the string by pulling on one end of the loop.

### C2 Drilling the Pilot Holes and Mounting the Oven

**NOTE:** Before drilling the pilot holes, make sure the oven is pushed as far back into the opening as it will go and is centered.

- a. Drill through the mounting holes (top and bottom) of the side trim, for the #8 screws provided.



The screws must be a minimum of 6 mm (1/4") from the front of the cutout.

**WARNING:** Mounting screws must be used. Failure to do so could result in the oven falling out of the cabinet, causing serious injury.

- b. Secure the oven to cabinet with screws provided.

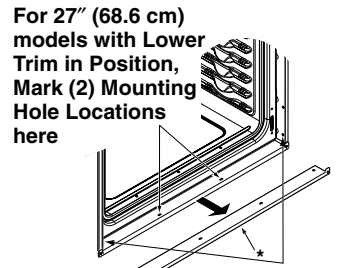
**NOTE:** If the cabinet is particle board, you must use #8 x 19 mm (3/4") particle board screws. These may be purchased at any hardware store.

# Installation Instructions

## C3 Preparing for the Bottom Trim Installation

a. With oven installed, take the bottom trim and center it on the bottom front edge of the cabinet opening.

b. Using the trim as a template, mark the center of each slot (two total) where the mounting holes will be drilled.



c. Remove the trim.

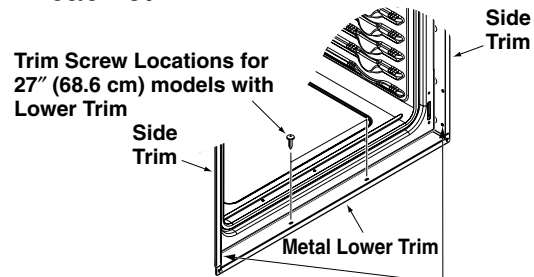
d. Drill pilot holes into the center of each template mark.

\* Remove Lower Trim Before Pre-drilling Mounting Holes

## C4 Installing the Metal Bottom Trim

a. Place the bottom metal trim centered over the pre-drilled mounting holes. Tape the edges of the trim down to maintain the alignment.

b. Using two trim screws provided, secure the bottom trim to the bottom edge of the cabinet.



Trim Screw Locations for 30" (76.2 cm) models with Lower Trim

**IMPORTANT:** If this unit is ever removed from the cabinet or the oven is ever pulled out for service, the trim must be removed first or damage to the trim will occur.

# Installation Instructions

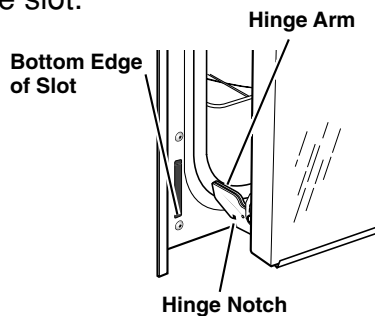
## D Replacing the Oven Door

**NOTE:** The oven door is heavy. You may need help lifting the door high enough to slide it into the hinge slots. Do not lift the door by the handle.

- D1** Lift the oven door by placing one hand on each side. The door is heavy, so you may need help. Do not lift the door by the handle.

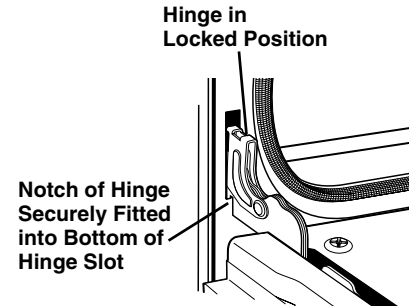


- D2** With the door at the same angle as the removal position, which is most of the way closed, seat the notch of the hinge arm into the bottom edge of the hinge slot. The notch of the hinge arm must be fully seated into the bottom of the slot.



- D3** Open the oven door as far as it will open.

- D4** Push the hinge locks up against the front frame of the oven cavity, to the locked position.



- D5** Close the oven door.

# Installation Instructions

## Pre-Test Checklist

- Remove all protective film, if present, and any stickers.
- Check that the bottom trim is installed properly (see page 10).
- Check to be sure that all wiring is secure and not pinched or in contact with moving parts.
- Check to be sure the mounting screws are installed and flush with the side trim (see page 9).

## Operation Checklist

- Remove all items from the inside of the oven.
  - Check that conduit is securely connected to the junction box.
  - Turn on the power to the oven. (Refer to your Owner's Manual.) Verify that the bake and broil units, and all cooking functions operate properly.
  - Check that the circuit breaker is not tripped nor the house fuse blown.
  - See your Owner's Manual for troubleshooting list.
- NOTE TO ELECTRICIAN: The power leads supplied with this appliance are CSA recognized for connections to larger gauge household wiring. The insulation of these leads is rated at temperatures much higher than the temperature rating of household wiring. The current carrying capacity of a conductor is governed by the wire gauge and also the temperature rating of the insulation around the wire.**
- NOTE: ALUMINUM WIRING**
- A. **WARNING: IMPROPER CONNECTION OF ALUMINUM HOUSE WIRING TO THE COPPER LEADS CAN RESULT IN AN ELECTRICAL HAZARD OR FIRE.**
- B. **Splice copper wires to aluminum wiring using special connectors designed and CSA approved for joining copper to aluminum, and follow the manufacturer's recommended connector procedure closely.**

**NOTE: Wire used, location and enclosure of splices, etc., must conform to good wiring practice and local codes.**

# Notes

---

---

# Notes

# Directives d'installation

## ✓ Liste de vérification avant l'essai

✓ S'il y a lieu, enlevez la pellicule protectrice et les étiquettes collées sur le four.

✓ Vérifiez que la garniture inférieure est bien montée (voir la page 10).

✓ Vérifiez que tout le câblage est bien fixé et qu'il n'est pas coincé ou en contact avec des pièces en mouvement.

✓ Vérifiez que les vis de montage sont bien en place et ne dépassent pas la surface de la garniture latérale (voir la page 9).

## ✓ Liste de vérification pour l'essai

✓ Enlevez tous les articles à l'intérieur du four.

✓ Vérifiez que le conduit est bien connecté à la boîte de jonction.

✓ Mettez le four en marche (consultez votre Manuel d'utilisation et d'entretien). Vérifiez que toutes les opérations de cuisson fonctionnent adéquatement, y compris les modes Cuisson (Bake) et Gril (Broil).

✓ Vérifiez que le disjoncteur n'est pas déclenché ou le fusible de la maison grille.

✓ Consultez le guide de dépannage de votre Manuel d'utilisation et d'entretien.

### A. AVERTISSEMENT :

NOTE : CÂBLAGE D'ALUMINIUM

NOTE À L'USAGE DE L'ELECTRICIEN : Les fils électriques de sortie fournis avec cet appareil sont approuvés CSA pour un branchement à du câblage résidentiel de calibre supérieur. Les températures nominales de l'isolant de ces fils sont beaucoup plus élevées que celles du câblage résidentiel. La capacité de transport du courant supportée par un conducteur est déterminée par le calibre du fil et la température nominale de l'isolant autour du fil.

LE RACCORDEMENT INAPPROPRIÉ D'UN CÂBLAGE RÉSIDENTIEL EN ALUMINIUM À DES FILS DE SORTIE EN CUIVRE PEUT ENTRAÎNER UN RISQUE ÉLECTRIQUE OU D'INCENDIE.

B. Raccordez les fils de cuivre au câblage d'aluminium à l'aide de connecteurs spéciaux approuvés CSA, conçus pour raccorder du cuivre à l'aluminium, et suivez minutieusement la procédure recommandée par le fabricant.

NOTE : Le fil utilisé, l'emplacement de l'art et au code de l'électricité doivent se conformer aux règles, et l'isolation des épissures, etc., en vigueur localement.



# Directives d'installation

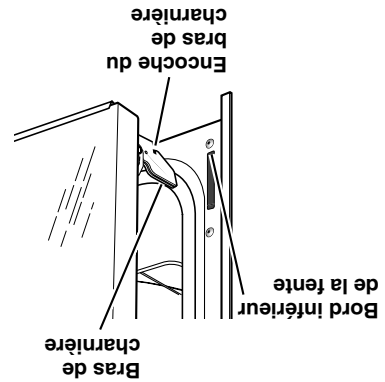
## D Remise en place de la porte du four

**NOTE :** La porte du four est lourde. Il se peut que vous ayez besoin d'aide pour la soulever assez haut pour la glisser dans ses charnières. Ne soulevez pas la porte par la poignée.

**D1** Pour soulever la porte du four, saisissez-la de chaque côté. La porte est lourde de sorte que vous pourriez avoir besoin d'aide. Ne soulevez pas la porte par la poignée.

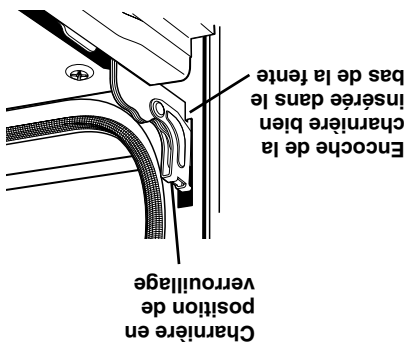


**D2** En maintenant la porte à la position d'enlèvement, qui correspond à peu près à la position fermée, placez l'encoche du bras de charnière dans le bord inférieur de la fente de la charnière. L'encoche doit être bien insérée dans le bas de la fente.



**D3** Ouvrez la porte du four jusqu'à son angle maximum.

**D4** Placez les verrous de la charnière en position de verrouillage en poussant vers le haut contre le panneau frontal du four.



**D5** Fermez la porte du four.

# Directives d'installation

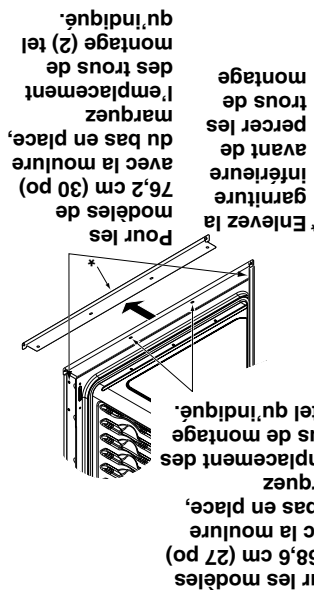
## C3 Préparation du montage de la garniture inférieure

a. Une fois le four installé, prenez la garniture inférieure et centrez-la sur le rebord inférieur frontal de l'ouverture de l'enceinte.

b. En vous servant de la garniture comme gabarit, marquez le centre de chaque trou (deux au total) à l'endroit où les trous de montage seront percés.

c. Enlevez la garniture.

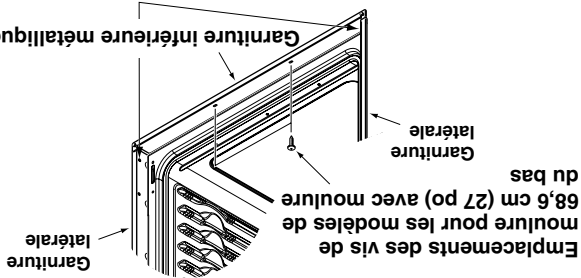
d. Percez des trous de montage dans le centre de la garniture.



## C4 Installation de la garniture inférieure métallique

a. Centrez la garniture inférieure métallique sur les trous de montage pré-perforés. Fixez les bords de la garniture avec du ruban adhésif pour en conserver l'alignement.

b. À l'aide des deux vis de garniture fournies, fixez la garniture inférieure au bord inférieur de l'enceinte.



Emplacements des vis de moulure pour les modèles de 76,2 cm (30 po) avec moulure du bas

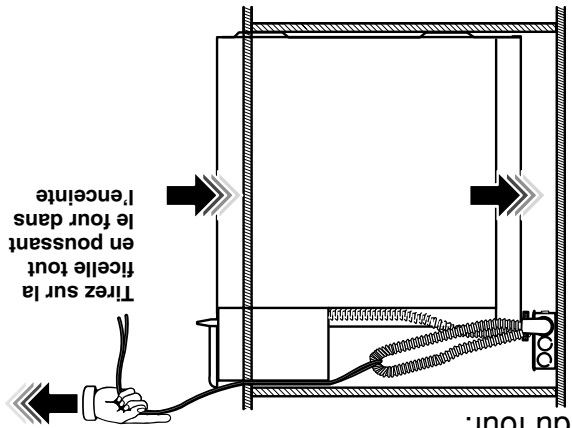
**IMPORTANT :** La garniture risque d'être endommagée si elle n'est pas enlevée en premier lorsque l'appareil est retiré de l'enceinte pour une réparation ou une autre raison.

# Directives d'installation

## C Fixation du four dans l'ouverture

### C1 Mise en place du four dans l'ouverture

a. Faire passer (ne pas nouer) une ficelle de 91 cm (36 po) autour du conduit avant de faire glisser le four en place. On évitera ainsi de faire tomber le conduit en arrière du four.

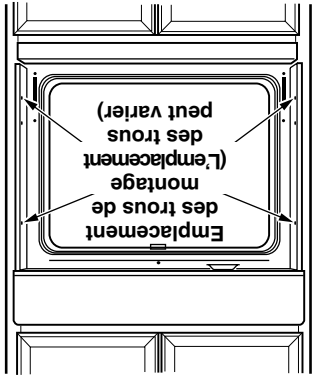


b. Agrippez le four par l'intérieur de son orifice pour le soulever fermement jusque dans l'ouverture de l'enceinte. Poussez avec précaution sur le devant du châssis du four. Ne poussez pas sur les bords extérieurs. c. Tout en faisant glisser le four vers l'arrière, tirez sur la ficelle pour que le conduit fasse une boucle normale sur le dessus du four. d. Une fois le conduit dégagé de l'arrière du four, poussez ce dernier dans l'ouverture aux trois-quarts de la distance. Tirez sur une extrémité de la ficelle pour la récupérer.

### C2 Percage des trous de guidage et montage du four

**NOTE :** Avant de percer les trous de guidage, assurez-vous de pousser le four jusqu'à l'endroit où il doit aller et de le centrer adéquatement.

a. Percez à travers les trous de montage (haut et bas) de la garniture latérale, pour recevoir les vis #8 fournies.



Les vis doivent être à une distance d'au moins 6 mm (1/4 po) du devant de l'ouverture.

**AVERTISSEMENT :** Des vis de montage doivent être utilisées. Le défaut de se conformer à cette directive peut occasionner la chute de four et, par voie de conséquence, des blessures sévères.

b. Fixez le four à l'enceinte à l'aide des vis fournies.

**NOTE :** Si l'enceinte est en panneaux de particules, vous devez utiliser des vis #8 x 19 mm (3/4 po) conçues pour ce matériau. On peut s'en procurer dans n'importe quelle quincaillerie.

# Directives d'installation

## B Raccordement électrique

### AVIS IMPORTANT À L'INSTALLATEUR :

Tous les fours muraux encastrés doivent être raccordés (raccordement direct) dans une boîte de jonction approuvée. Une fiche et une prise de courant ne sont PAS autorisées pour brancher ce produit.

NE PAS raccourcir le conduit flexible. La bague anti-traction du conduit doit être fixée fermement à la boîte de jonction et le conduit flexible doit être fixé fermement à la bague. Si le conduit flexible n'est pas ajusté à la bague, procurez-vous une bague dont la taille est appropriée avant d'installer le four.

AVIS À L'ELECTRICIEN : Les 3 fils électriques de sortie fournis avec cet appareil sont approuvés par la CSA pour un branchement à du câblage résidentiel de calibre (Gauge) supérieur. Les températures nominales de l'isolant de ces 3 fils sont beaucoup plus élevées que celles du câblage résidentiel. La capacité de transport du courant supportée par un conducteur est déterminée par le calibre du fil et la température nominale de l'isolant autour du fil.

**AVERTISSEMENT :**

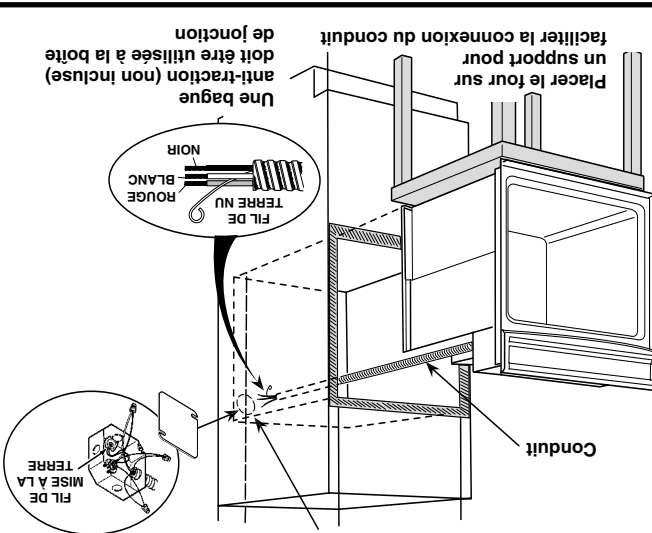
Le raccordement inadéquat d'un câblage résidentiel en aluminium à des fils de sortie en cuivre peut entraîner un risque électrique ou d'incendie. Utilisez uniquement des connecteurs conçus pour raccorder du cuivre à l'aluminium et respectez minutieusement la procédure recommandée par le fabricant.



9

**B1** Mettez le disjoncteur hors circuit ou enlevez les fusibles du circuit terminal du four.

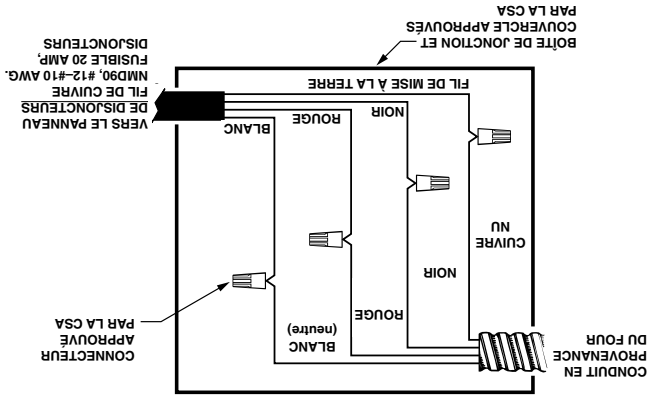
**B2** Le four reposant sur une table ou une plateforme en face de l'ouverture de l'enceinte, connectez le conduit flexible à la boîte de jonction, tel qu'illustré ci-dessous. Placez le conduit de manière à ce qu'il fasse une boucle normale sur le dessus du four une fois ce dernier installé. Vous devez vous procurer une bague anti-traction approuvée pour terminer la connexion du conduit à la boîte de jonction.



**B3** Ce four est doté d'un conduit flexible de 123 cm (48 po) comportant :

- 3 conducteurs isolés (en cuivre)
- 1 conducteur de mise à la terre dénudé (en cuivre)

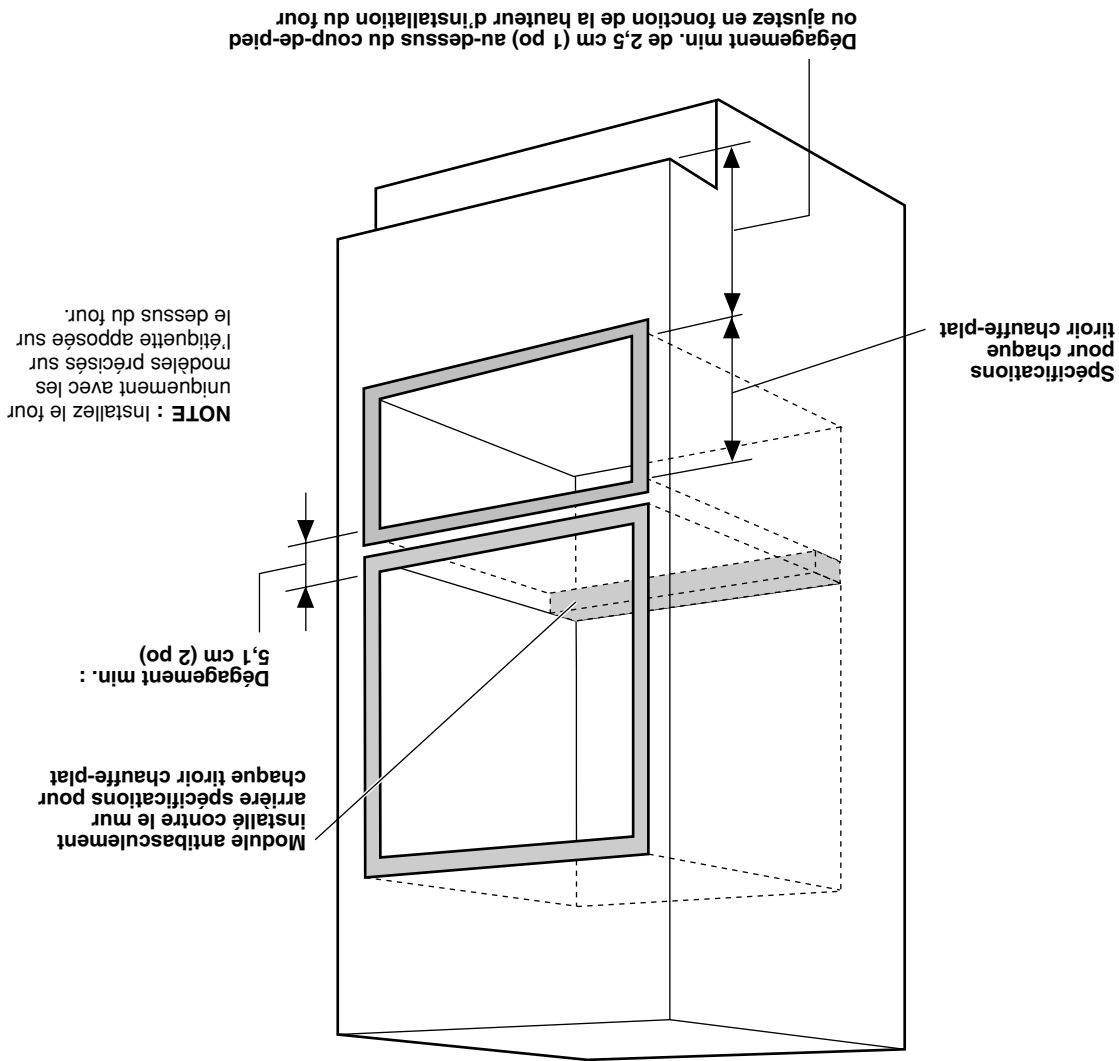
**B4** Raccordez les conducteurs au câblage de la maison, tel qu'illustré dans le schéma de câblage.



# Directives d'installation

## A Ouverture pour fours encastrés – simples 30 po (76,2 cm) seulement – d'un tiroir chauffe-plat pour une installation au-dessus

Pour les modèles JCTP30, JCTP70, PCT916, PCT920 seulement.



**NOTE :** Il est possible qu'un dégagement supplémentaire soit nécessaire entre les ouvertures. Assurez-vous que les supports du four au-dessus de l'emplacement du tiroir chauffe-plat ne réduisent pas la profondeur et la hauteur intérieures requises pour l'installation.

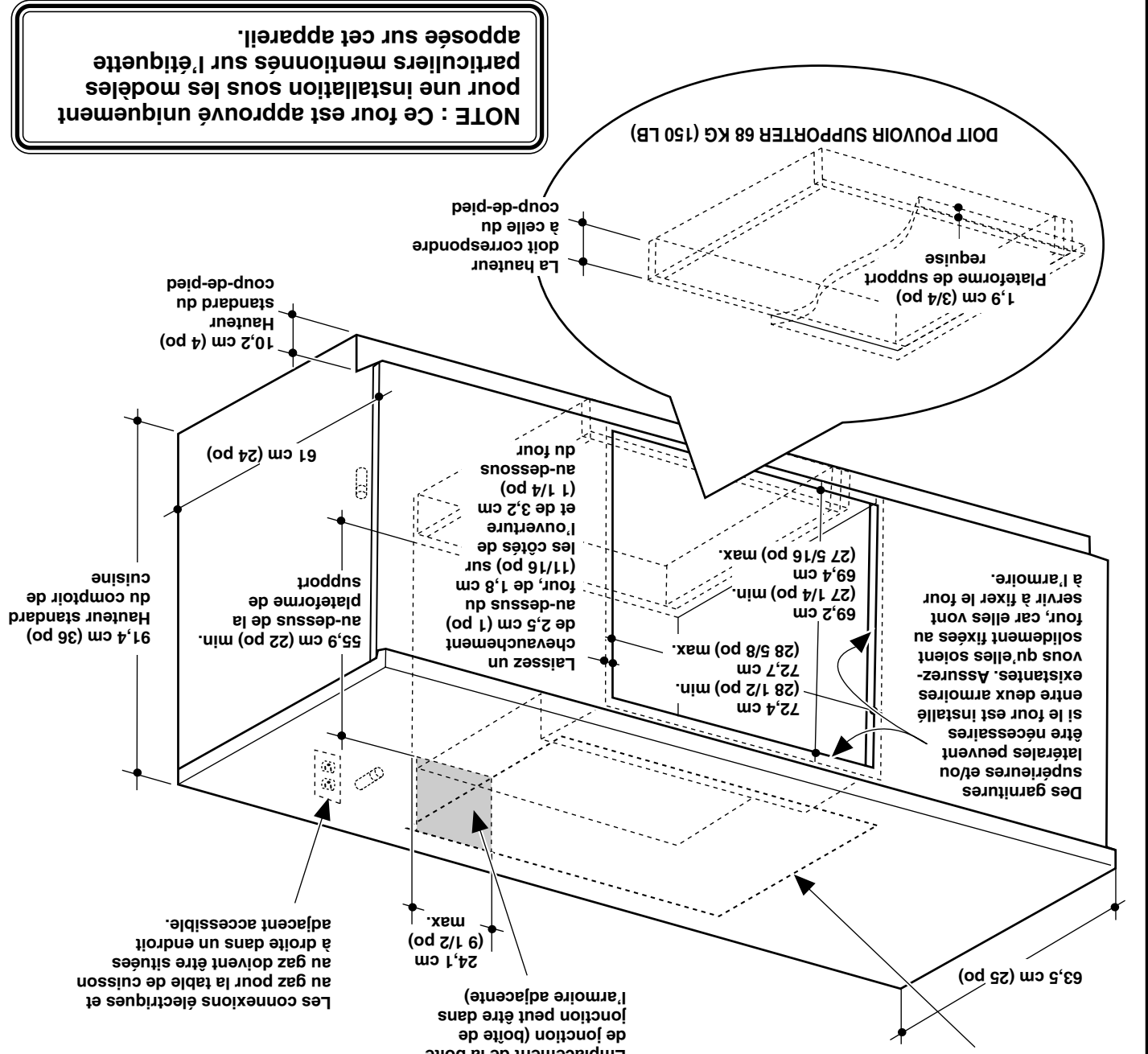
- Prévoyez une prise électrique distincte de 120 V, 60 Hz, correctement mise à la terre, pour l'installation d'un tiroir chauffe-plat sous un four encastré simple. Reportez-vous aux directives d'installation emballées avec le tiroir chauffe-plat pour les directives d'installation spécifiques.

# Directives d'installation

## A Ouverture pour four encastré simple installé au dessus d'un comptoir 30 po (76,2 cm)

Pour les modèles JCTP30, JCTP70, PCT916, PCT920 seulement.

Une table de cuisson électrique ou au gaz peut être installée au-dessus de ce four. Voir les instructions d'installation de la table de cuisson pour connaître la taille de l'ouverture. Voir l'étiquette sur le dessus du four pour connaître les modèles de table de cuisson approuvés.



# Directives d'installation

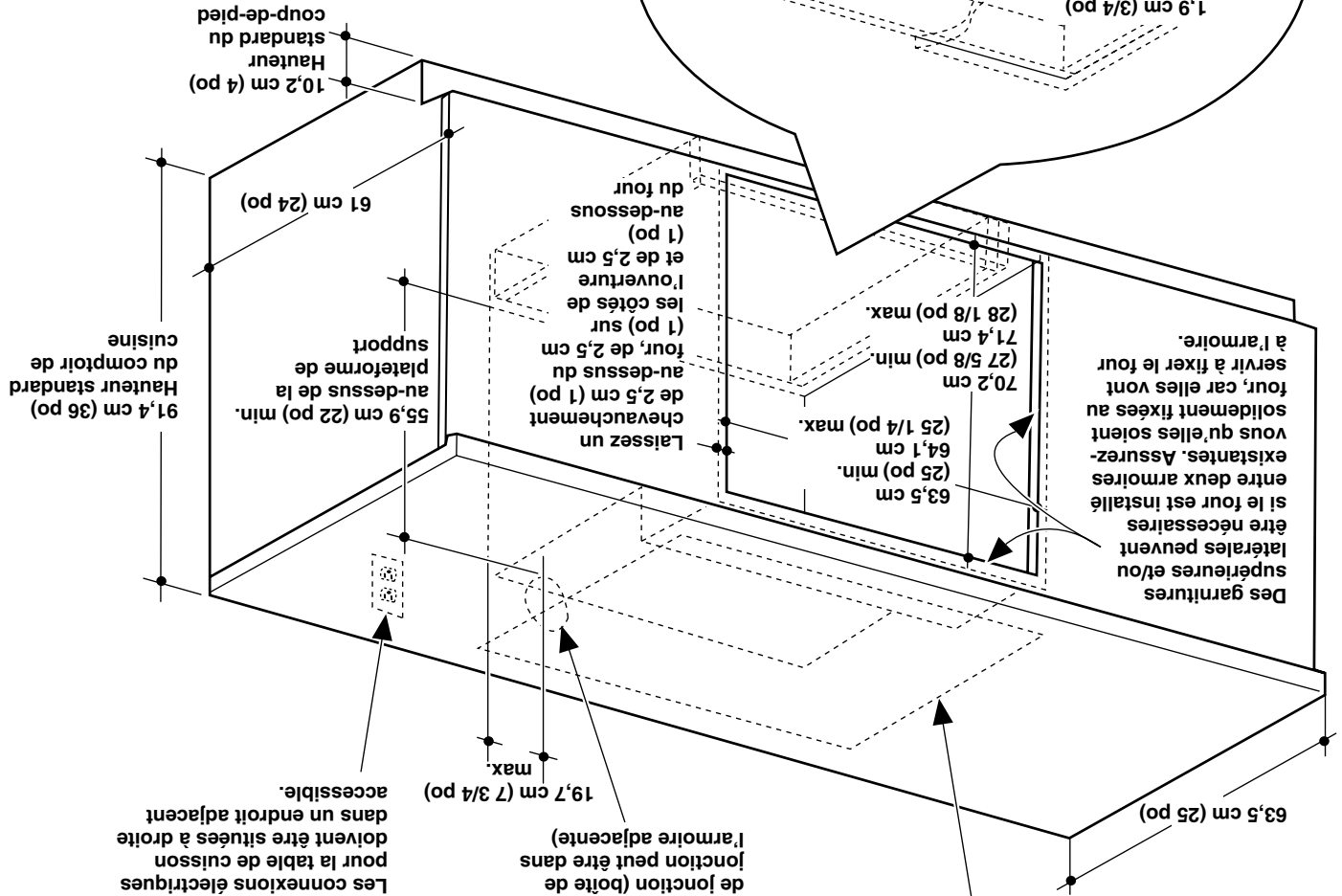
## A Ouverture pour four encastré simple installé au dessus d'un comptoir 27 po (68,6 cm)

Pour les modèles JCKP30, JCKP70, JCKS10, PCK916, PCK920 seulement.

Une table de cuisson électrique peut être installée au-dessus de ce four. Voir les instructions d'installation de la table de cuisson pour connaître la taille de l'ouverture. Voir l'étiquette sur le dessus du four pour connaître les modèles de table de cuisson approuvés.

Emplacement de la boîte de jonction (boîte de jonction peut être dans l'armoire adjacente) max. 19,7 cm (7 3/4 po) accessible dans un endroit adjacent pour la table de cuisson doivent être situées à droite des connexions électriques

Des garnitures latérales peuvent être nécessaires si le four est installé entre deux armoires existantes. Assurez-vous qu'elles soient solidement fixées au four, car elles vont servir à fixer le four à l'armoire.



DOIT POUVOIR SUPPORTER 68 KG (150 LB)

**NOTE : Ce four est approuvé uniquement pour une installation sous les modèles particuliers mentionnés sur l'étiquette apposée sur cet appareil.**

# Directives d'installation

## A Ouverture pour fours encastrés simples 30 po (76,2 cm) seulement

Pour les modèles JCTP30, JCTP70, PCT916, PCT920 seulement.

Largueur de l'enceinte 76,2 cm (30 po)

Distance recommandée entre l'ouverture et le plancher

82,6 cm (32 1/2 po)

Profondeur de l'ouverture

59,7 cm (23 1/2 po) min.

Largueur de l'ouverture

72,4 cm (28 1/2 po) min.

Hauteur de l'ouverture

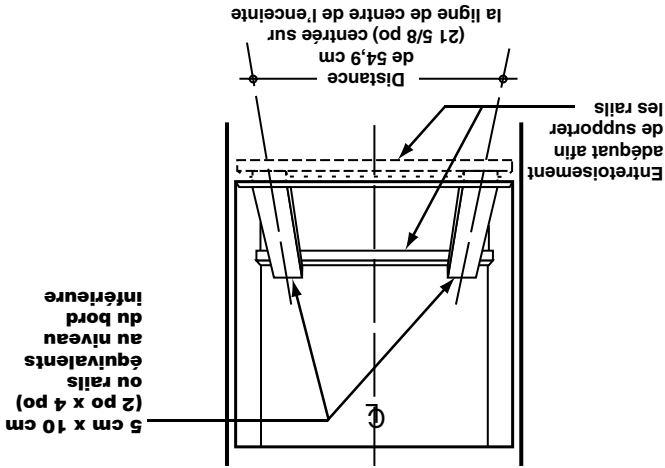
72,7 cm (28 5/8 po) max.

Hauteur de l'ouverture

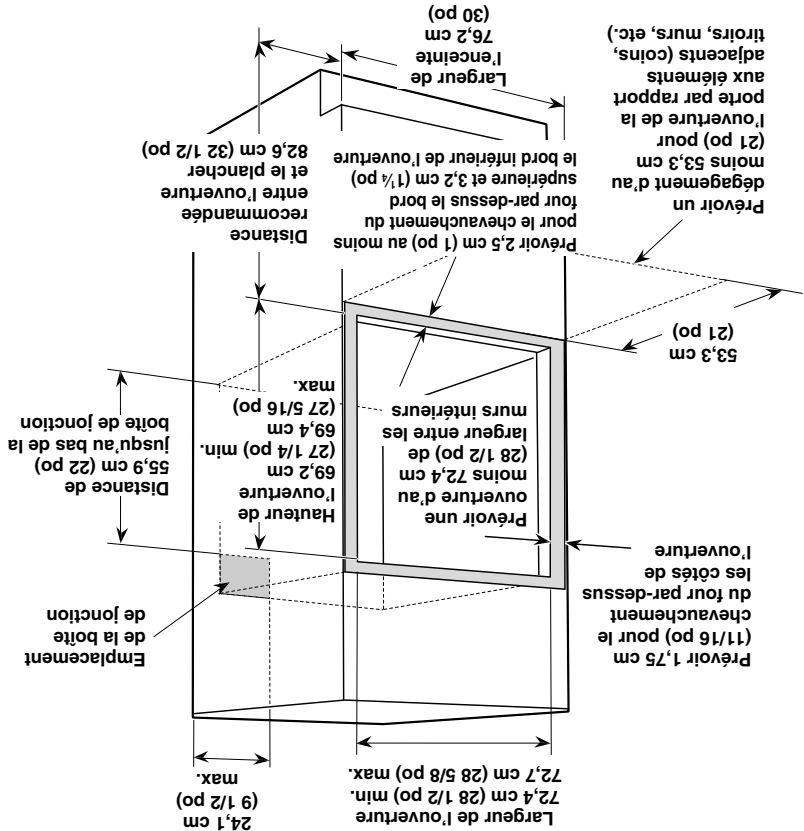
69,2 cm (27 1/4 po) min.

69,4 cm (27 5/16 po) max.

**NOTE : Si l'enceinte n'est pas dotée d'un panneau frontal et si l'épaisseur des côtés fait moins de 1,9 cm (3/4 po), placez des cales d'égalité épaisseur de chaque côté pour déterminer la largeur de l'ouverture.**



Ces fours ne sont pas approuvés pour un montage superposé.



Si l'enceinte n'est pas munie d'un fond solide, deux entretoises ou rails doivent être posés au niveau du bord inférieur de l'ouverture pour soutenir le poids du four. Ces entretoises ou rails doivent supporter 68 kg (150 livres) dans le cas d'un four simple.

**NOTE : Si la trace de l'ouverture, des marques ou des imperfections sont visibles au-dessus du four, il peut être nécessaire d'ajouter des cales de bois sous les rails et la garniture frontale jusqu'à ce que les défauts ou la trace de l'ouverture soient cachés.**

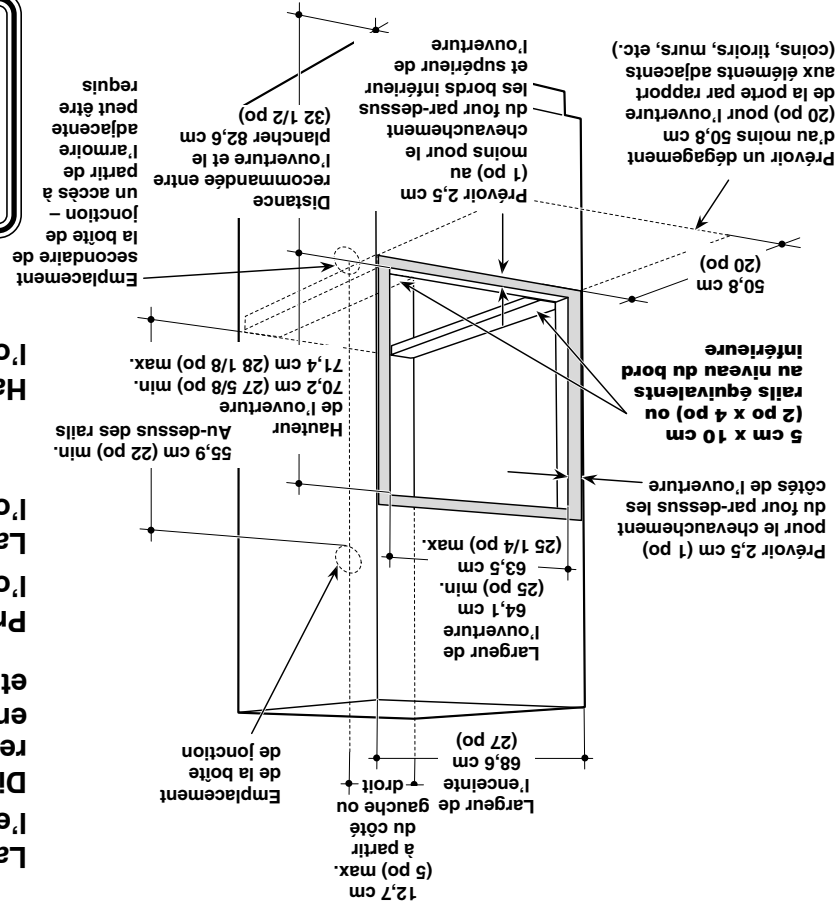


## A Ouverture pour fours encastrés simples 27 po (68,6 cm) seulement

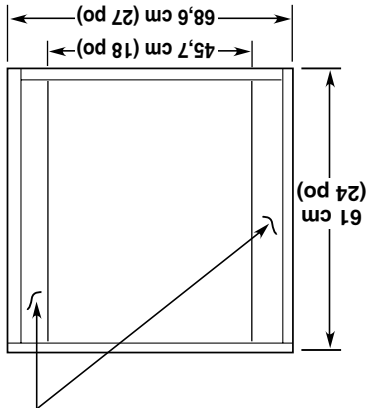
Pour les modèles JCKP30, JCKP70, JCKS10, PCK916, PCK920 seulement.

Largeur de l'enceinte	68,6 cm (27 po)
Distance recommandée entre l'ouverture et le plancher	82,6 cm (32 1/2 po)
Profondeur de l'ouverture	59,7 cm
Largeur de l'ouverture	(23 1/2 po) min. 63,5 cm
Largeur de l'ouverture	(25 po) min. 64,1 cm
Hauteur de l'ouverture	(25 1/4 po) max. 64,1 cm
Hauteur de l'ouverture	(27 5/8 po) min. 70,2 cm
Hauteur de l'ouverture	(28 1/8 po) max. 71,4 cm

**NOTE :** Si l'enceinte n'est pas dotée d'un panneau frontal et si l'épaisseur des côtés fait moins de 1,9 cm (3/4 po), placez des cales d'égalité épaisseur de chaque côté pour déterminer la largeur de l'ouverture.



5 cm x 10 cm (2 po x 4 po) ou rails équivalents au niveau du bord inférieure



Ces fours ne sont pas approuvés pour un montage superposé.

**NOTE :** Si la trace de l'ouverture, des marques ou des imperfections sont visibles au-dessus du four, il peut être nécessaire d'ajouter des cales de bois sous les rails et la garniture frontale jusqu'à ce que les défauts ou la trace de l'ouverture soient cachés.

Si l'enceinte n'est pas munie d'un fond solide, deux entretoises ou rails doivent être posés au niveau du bord inférieur de l'ouverture pour soutenir le poids du four. Ces entretoises ou rails doivent supporter 68 kg (150 livres) dans le cas d'un four simple.

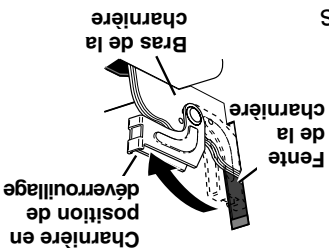
# Directives d'installation

## Liste de vérification avant montage

Il est possible d'enlever la porte du four pour faciliter l'installation, bien que cela ne soit pas obligatoire. Pour enlever la porte :

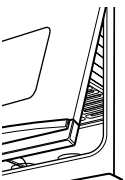
Ouvrez la porte jusqu'à son angle maximum.

Amenez les deux charnières en position de déverrouillage en les abaissant vers le châssis de la porte. S'il le faut, utilisez un tournevis à lame plate.

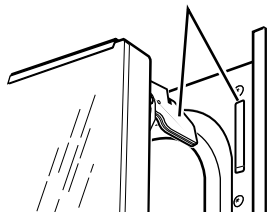


**NE SOULEVEZ PAS LA PORTE PAR SA POIGNÉE!**

Placez vos mains de chaque côté de la porte et refermez la porte du four jusqu'à la position d'enlèvement, qui correspond à peu près à la position fermée.



Soulevez la porte en tirant vers l'extérieur jusqu'à ce que les bras des charnières sortent des fentes.



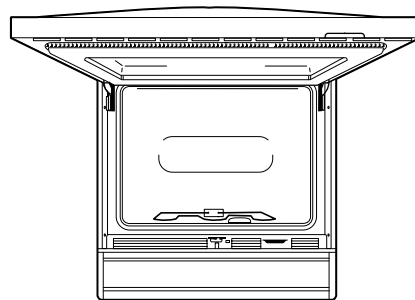
Charnière sortie de la fente

**NOTE : La porte du four est très lourde. Assurez-vous de bien la tenir avant de la soulever pour la séparer des charnières. Soyez vigilant une fois la porte enlevée. Ne laissez jamais la porte reposer sur sa poignée. Cela pourrait la rayer ou la bosseler.**

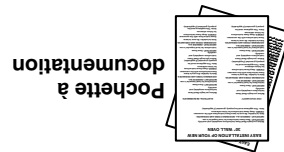
Placez le four sur une table ou une plate-forme de niveau avec l'ouverture qui a été pratiquée pour recevoir le four (la plate-forme doit pouvoir supporter 68 kg [150 livres] dans le cas d'un four simple).

Enlevez la garniture inférieure fixée temporairement dans le haut du four. Elle sera posée à la fin du montage. La garniture est emballée séparément et fixée dans le haut du four par du ruban adhésif.

Enlevez tous les matériaux d'emballage. Vérifiez derrière les charnières et sous la face extérieure de la porte, la matière plastique sur les garnitures et le panneau ainsi que le ruban colle autour du four. Enlevez aussi les vis d'expédition qui fixent le four sur sa base.



Grilles du four



Ouvrez la porte du four et enlevez la documentation ainsi que les grilles.

Retirez les directives d'installation de la pochette à documentation et lisez-les attentivement avant de commencer.

Assurez-vous de ranger la documentation dans un endroit sûr pour consultation ultérieure.



# Directives d'installation

## CONSIGNES DE SÉCURITÉ IMPORTANTES

### Pour votre sécurité

- Assurez-vous que votre four est bien monté par un installateur qualifié ou un technicien de service.
- Assurez-vous que votre four est monté en toute sécurité dans une enceinte qui est bien fixée à la structure de votre maison. Toute pression appliquée sur la porte du four peut faire tomber le four et occasionner des blessures. Ne permettez à personne de grimper, de s'asseoir, de se tenir sur la porte du four ou de s'y suspendre.
- Assurez-vous que les armoires de cuisine et les revêtements de mur autour du four peuvent supporter la température (pouvant atteindre 93 °C [200 °F]) produite par le four.

### AVERTISSEMENT :



**Vous devez couper l'alimentation électrique du four avant de le brancher. Le défaut de se conformer à cette procédure peut entraîner des blessures sévères et même la mort.**

### Alimentation

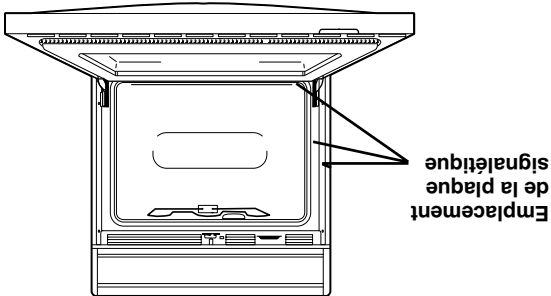
Cet appareil doit être alimenté avec un courant de tension et de fréquence appropriées et connecté à un circuit individuel adéquatement mis à la terre et protégé par un disjoncteur ou un fusible. Veuillez consulter la plaque signalétique située sur le cadre du four afin de déterminer la puissance nominale du produit. Servez-vous du tableau ci-dessous pour déterminer la protection minimale recommandée du circuit dédié.

Puissance nominale en kW	Puissance nominale en kW 208 V	Calibre recommandé pour le circuit (dédié)
≤ 4,8 kW	≤ 4,1 kW	20 ampères
4,9 kW à 7,2 kW	4,3 kW à 6,2 kW	30 ampères
7,3 kW à 9,6 kW	6,3 kW à 8,3 kW	40 ampères
9,7 kW à 12,0 kW	8,4 kW à 10,4 kW	50 ampères

2

### Alimentation (suite)

La plaque signalétique est située sur la garniture latérale du four, sur le devant du cadre latéral ou sur le devant du cadre inférieur.



Nous vous recommandons de faire réaliser le câblage électrique et le branchement de votre four par un électricien qualifié. Après le montage, demandez à l'électricien de vous montrer l'emplacement de l'interrupteur d'isolement de votre four.

Vérifiez, auprès de votre compagnie d'électricité, le code de l'électricité régissant les installations électriques dans votre région. Si vous ne branchez pas votre four conformément au code en vigueur, vous vous exposez à une situation dangereuse. En l'absence d'un code de l'électricité local, votre four doit être muni d'un branchement et de fusibles qui répondent à la norme CAN/CSA C22.2 No. O-M91, ou la dernière édition.

Vous devez utiliser un circuit électrique présentant les caractéristiques suivantes : courant monophasé (c.a.), trifilaire, 208Y/120 volts ou 240/120 volts, 60 hertz. Si vous vous branchez à du câblage en aluminium, vous devez utiliser des connecteurs correctement montés et approuvés pour ce type de câblage.

# Directives d'installation

**Four mural encastré de**  
modèles de 27 po (68,6 cm)  
JCKS10, JCKP30, JCKP70, PCK916, PCK920  
modèles de 30 po (76,2 cm)  
JCTP30, JCTP70, PCT916, PCT920

Si vous avez des questions, composez le 1.800.561.3344 ou visitez  
notre site web à : [www.electromenagerse.ca](http://www.electromenagerse.ca)

## Avant de commencer

• **IMPORTANT**—Conservez ces directives pour votre inspecteur local.

• **IMPORTANT**—Respectez tous les codes et les décrets en vigueur. Note à l'intention de l'installateur— Assurez-vous de laisser ces directives chez le consommateur.

• Note au consommateur—Conservez ces directives pour consultation ultérieure.

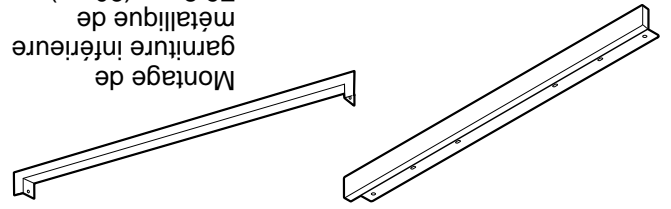
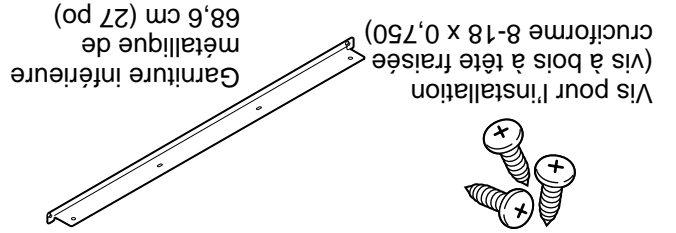
Lisez complètement et attentivement les directives suivantes.

## AVIS IMPORTANT À L'INSTALLATEUR :

- Il est de la responsabilité de l'installateur de procéder à une installation appropriée. Un dysfonctionnement du produit qui résulterait d'une installation incorrecte ne serait pas couvert par la garantie.
- **NOTE**—Cet appareil doit être mis à la terre adéquatement.
- **AVIS IMPORTANT :** Tous les fours muraux encastrés doivent être raccordés (raccordement direct) dans un boîtier de jonction homologué. Une fiche et une prise de courant ne sont PAS autorisées pour brancher ces produits.

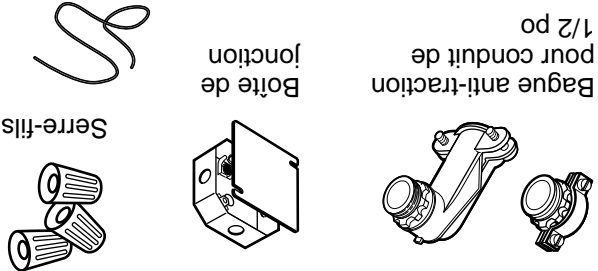
## Pièces incluses

(L'aspect des pièces peut varier.)



WB07T10578 – Noir  
WB07T10579 – Acier inoxydable  
Montage de garniture inférieure  
métallique optionnel de 68,6 cm  
(27 po) (sur certains modèles ou  
peut être acheté séparément)

## Matériel requis



Ficelle de 91 cm (36 po)

## Outils requis



## Free Manuals Download Website

<http://myh66.com>

<http://usermanuals.us>

<http://www.somanuals.com>

<http://www.4manuals.cc>

<http://www.manual-lib.com>

<http://www.404manual.com>

<http://www.luxmanual.com>

<http://aubethermostatmanual.com>

Golf course search by state

<http://golfingnear.com>

Email search by domain

<http://emailbydomain.com>

Auto manuals search

<http://auto.somanuals.com>

TV manuals search

<http://tv.somanuals.com>