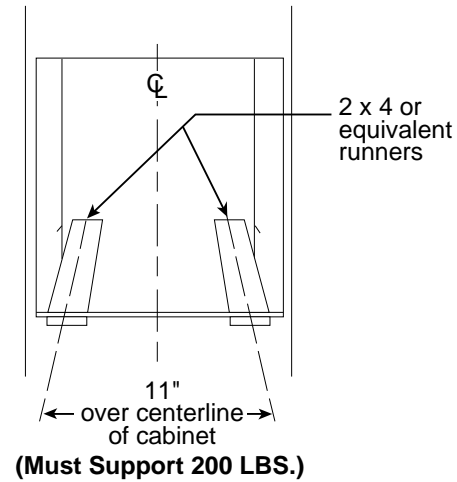
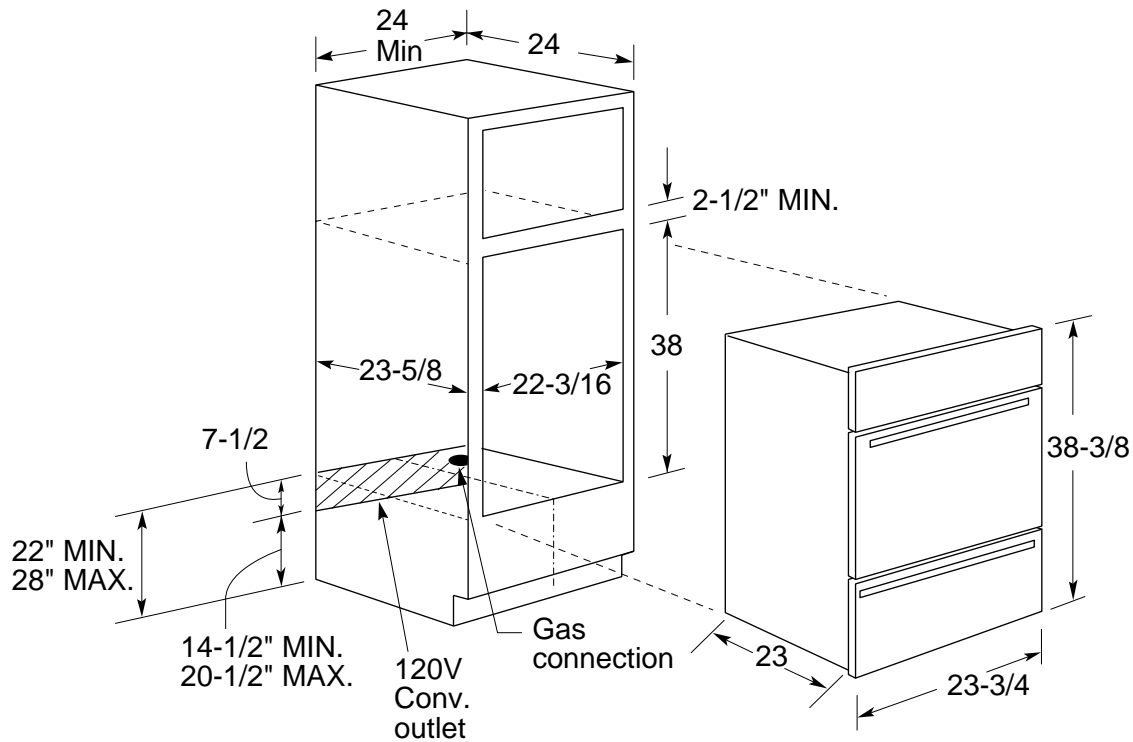




GE Appliances

JGRP17BEW—Built-In Gas Oven

Dimensions (in inches)



Installation Information: Before installing, consult installation instructions [Pub. No. 31-10155] packed with product for current dimensional data.

Electrical Rating: 120V, 60Hz, 5A

Note: Cabinets installed adjacent to wall ovens must have an adhesion spec of at least 194°

For answers to your Monogram, GE Profile Performance Series, GE Profile, GE, Hotpoint and RCA appliance questions, call GE Answer Center service, 800.626.2000.



Listed by
Underwriters
Laboratories

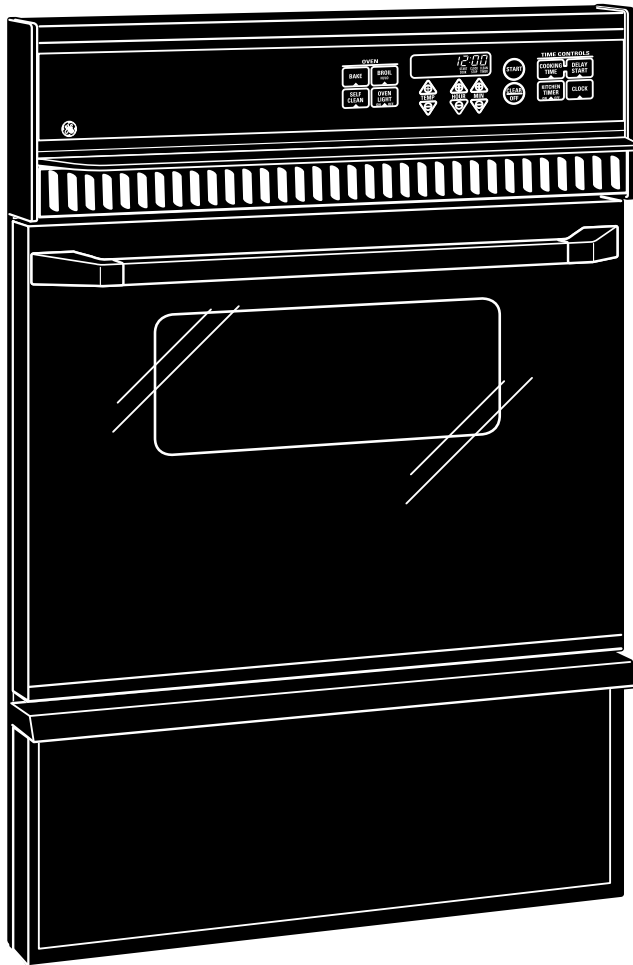


Revised 9/97



GE Appliances

JGRP17BEW—Built-In Gas Oven



Features and Benefits

- Black on black Model
- Self-Cleaning Oven
- Electronic Pilotless Ignition
- SmartSet Electronic Controls With Touchpads
- Electronic Clock and Minute Kitchen Timer
- Delay Time Bake Option With Cook and Hold
- Auto Oven Shut-Off With Override
- In-Oven Broiling
- Porcelain-Enameled Broiler Pan With Grid
- 2 Oven Shelves
- Interior Oven Light
- Frameless Glass Oven Door With Window
- Designer-Style Handle
- Storage Drawer
- 24" Oven Cabinet Width Required
- Also Available In White on white as Model JGRP17WEW

Revised 9/97

Free Manuals Download Website

<http://myh66.com>

<http://usermanuals.us>

<http://www.somanuals.com>

<http://www.4manuals.cc>

<http://www.manual-lib.com>

<http://www.404manual.com>

<http://www.luxmanual.com>

<http://aubethermostatmanual.com>

Golf course search by state

<http://golfingnear.com>

Email search by domain

<http://emailbydomain.com>

Auto manuals search

<http://auto.somanuals.com>

TV manuals search

<http://tv.somanuals.com>