

Installation Instructions

27" Built In Wall Oven

JKP15, JKP18, JKP27, JKP45, JKP56 JKS05, ZEK937, ZEK957

"If you have questions, call 800-GE-CARES or visit our website at: www.GEAppliances.com"

Before you begin

Read these instructions carefully and completely

- **IMPORTANT**-Save these instructions for local inspector's use.
- **IMPORTANT**-Observe all governing codes and ordinances.
- **Note to Installer**- Be sure to leave these instructions with the consumer.
- **OWNER**- Keep these instructions for future reference.

• ATTENTION INSTALLER!!

- All electric wall ovens must be hard wired (direct wired) into an approved junction box. A "plug and receptacle" is NOT permitted on these products
- **NOTE**- This appliance must be properly grounded.

Parts Included



Single Ovens

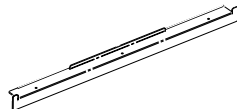
4 flat head screws (side trim)

3 pan head screws (bottom trim)

Double Ovens

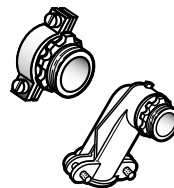
8 flat head screws (side trim)

3 Pan head screws (bottom trim)

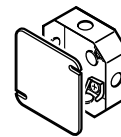


Bottom Trim

Materials Needed



Strain Relief
Clamp for
1/2" conduit



Junction
Box

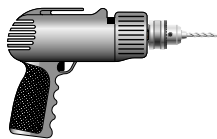


Wire Nuts



36" of String

Tools You Will Need



1/8" Drill Bit &
Electric or
Hand Drill



Phillips
Screwdriver

Installation Instructions

IMPORTANT SAFETY INSTRUCTIONS

For Your Safety

- Be sure your oven is installed properly by a qualified installer or service technician.
- Be sure the oven is securely installed in a cabinet that is firmly attached to the house structure. Weight on the oven door could cause the oven to tip and result in injury. Never allow anyone to climb, sit, stand or hang on the oven door.
- Make sure the cabinets and wall coverings around the oven can withstand the temperatures (up to 200°F.) generated by the oven.



CAUTION: The electrical power to the oven supply line must be shut off while line connections are being made. Failure to do so could result in serious injury or death.

Electrical Requirements

This appliance must be supplied with the proper voltage and frequency, and connected to an individual properly grounded branch circuit, protected by a circuit breaker or fuse having amperage as noted on rating plate. (Rating Plate is located on oven side trim.)

We recommend you have the electrical wiring and hookup of your oven connected by a qualified electrician. After installation, have the electrician show you where your main oven disconnect is located.

Check with your local utilities for electrical codes which apply in your area. Failure to wire your oven according to governing codes could result in a hazardous condition. If there are no local codes, your range must be wired and fused to meet the requirements of the National Electrical Code, ANSI/NFPA No. 70-Latest Edition. You can get a copy by writing:

National Fire Protection Association
Battery March Park
Quincy, MA 02269

Effective January 1, 1996, the National Electrical Code requires that new, but not existing, construction utilize a 4 conductor connection to an electric range. When installing an electric range in new construction, follow the instructions in the section on **NEW CONSTRUCTION AND FOUR CONDUCTOR BRANCH CIRCUIT CONNECTION**.

You must use a three-wire, single-phase A.C. 208Y/120 Volt or 240/120 Volt, 60 hertz electrical system. If you connect to aluminum wiring, properly installed connectors approved for use with aluminum wiring must be used.

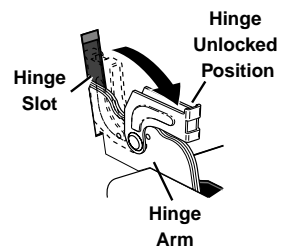
Installation Instructions

✓ Pre- Installation Checklist

ALL INSTALLATION INFORMATION ON THE FOLLOWING PAGES IS TO BE USED FOR **SINGLE AND DOUBLE OVEN** INSTALLATION!

Door Removal is not a requirement for installation of the product, but is an added convenience.

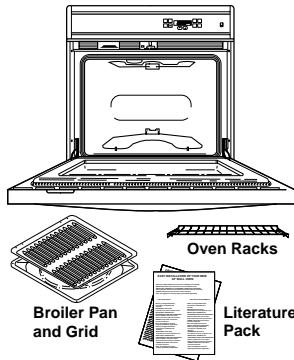
✓ Open the oven door as far as it will go.



✓ Remove packaging materials. Check behind hinges, and under false bottom. Remove labels on the outside of the door, plastic on trims and panel, and all tape around oven.

✓ Push both hinge locks down toward the door frame, to the unlocked position. This may require a flat blade screwdriver.

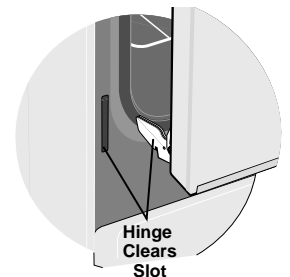
✓ Place hands on both sides of the door, close the oven door to the removal position this is half way between the broil stop and fully closed..



✓ Open oven door and remove literature pack, broiler pan and grid, and oven racks.

✓ Remove Installation Instructions from literature pack and read them carefully before you begin. Be sure to place all literature, Use and Care, Installations, etc. in a safe place for future reference.

✓ Lift door up and out until the hinge arms clear the slots.

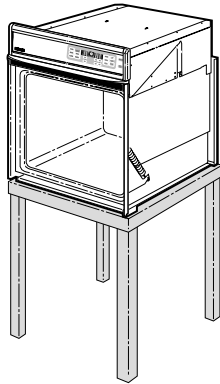


Installation Instructions

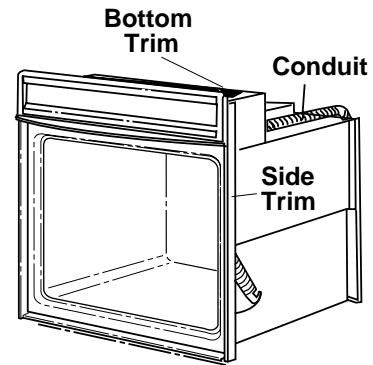
✓ Pre- Installation Checklist cont.



Place the oven on a table or platform even with the cutout opening.
(Platform must support 150 lbs. single, 275 lbs. double.)

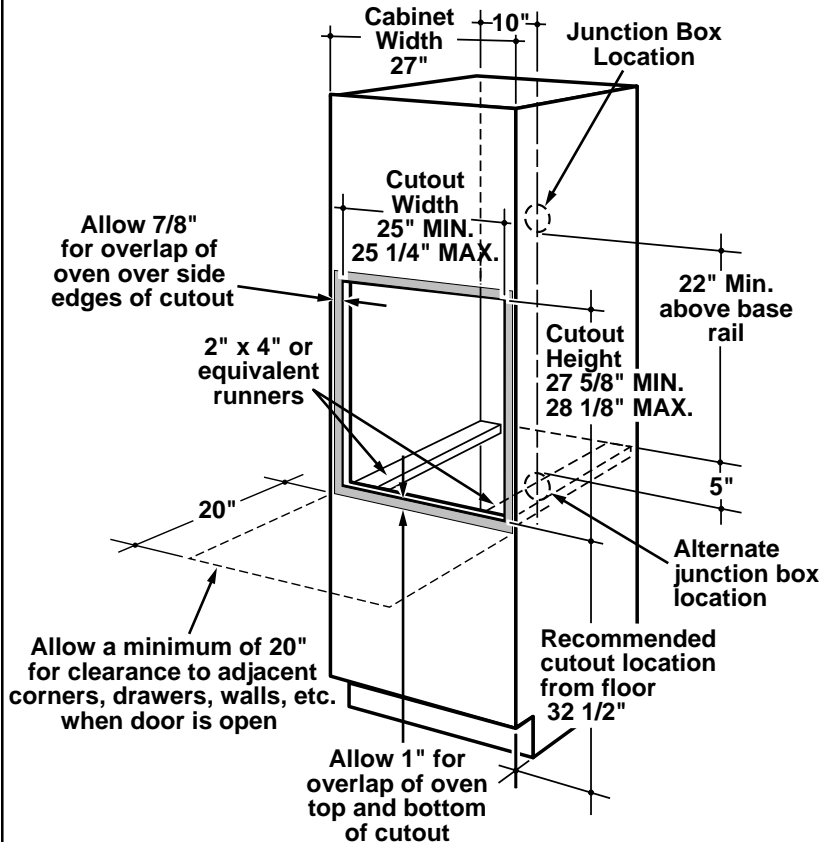


Remove the bottom trim from the top of the oven. It will be installed at the end of installation. The trim is wrapped separately and taped to the top of the unit.



Installation Instructions

A1 Cutouts for Single Built-In-Oven



Cabinet Width 27
 Recommended Cutout Location from Floor 32 1/2"

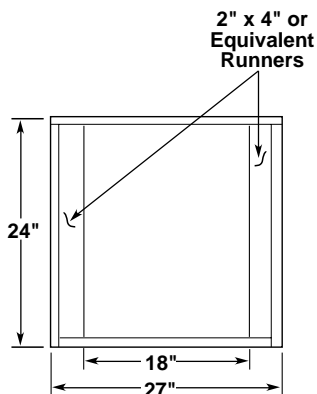
Cutout Depth 23 1/2"

Cutout Width 25" Min.
 25 1/4" Max.

Cutout Height 27 5/8" Min.
 28 1/8" Max.

NOTE: If the cabinet does not have a front frame and the sides are less than 3/4" thick, shim both sides equally to establish the cutout width.

If the cabinets do not have a solid bottom, then two braces or runners must be installed to support the weight of the oven. For single ovens the runners and braces must support 150 pounds.

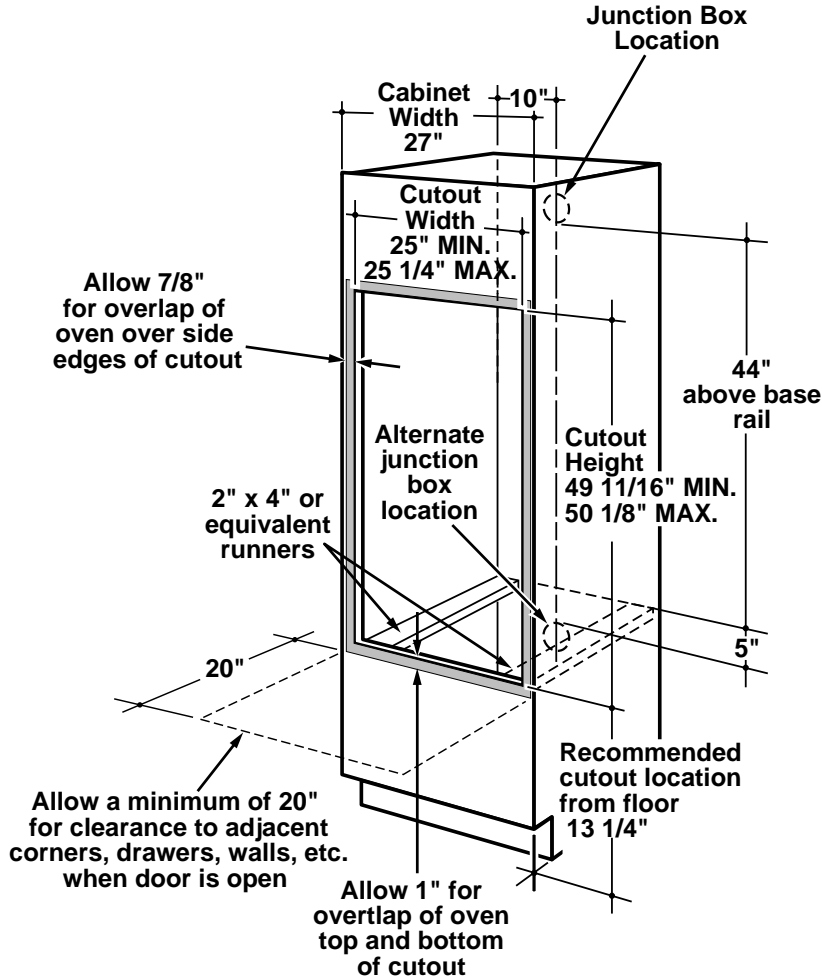


This Oven is not approved for stackable or side by side installation

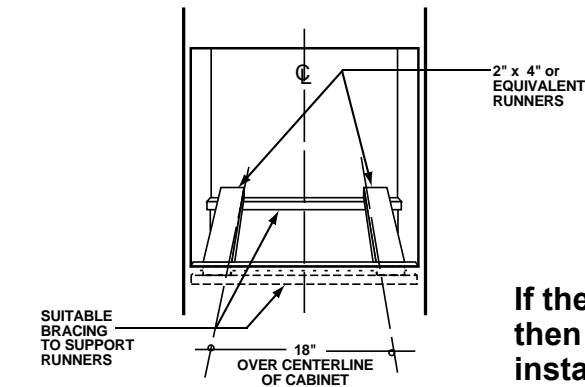
Installation Instructions

A2

Cutouts for Double Built-In-Oven



Cabinet Width	27"
Recommended Cutout Location from Floor	13 1/4"
Cutout Depth	23 5/8" Min.
Cutout Width	25" Min. 25 1/4" Max.
Cutout Height	49 11/16" Min. 50 1/8" Max.



NOTE: If the cabinet does not have a front frame and the sides are less than 3/4" thick, shim both sides equally to establish the cutout width.

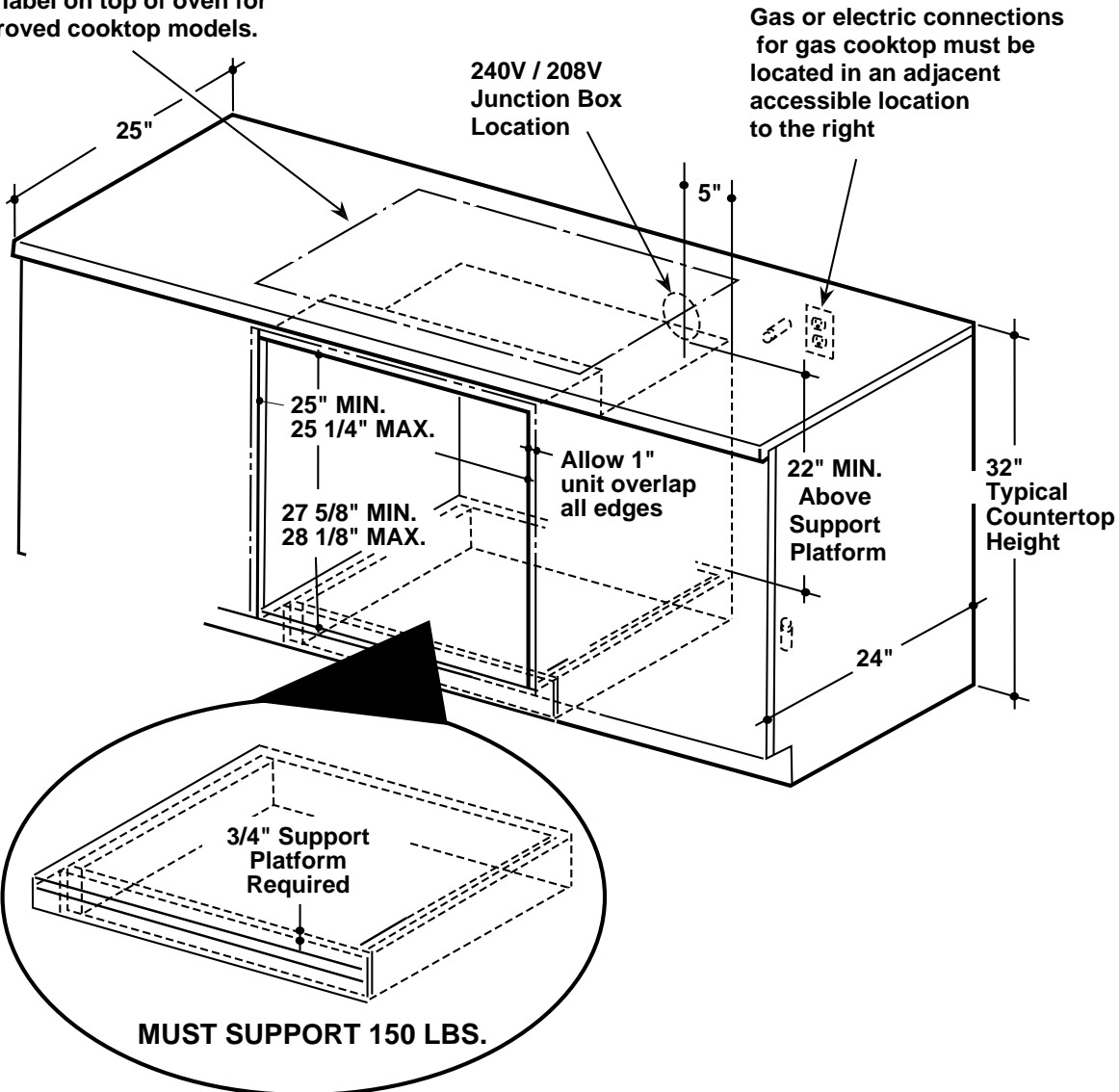
If the cabinet does not have a solid bottom, then two braces and runners must be installed to support the weight of the oven. For double ovens the runners and braces must support 275 pounds.

Installation Instructions

A3

Cutouts for Single Oven Under Counter

Gas or electric cooktops may be installed over this oven. See cooktop installation instructions for cutout size. See label on top of oven for approved cooktop models.



NOTE: Stainless Steel models are not approved for under the counter installation.

NOTE: This Oven is not approved to be installed under a Solid Disk, Induction or Downdraft Modular Cooktop.

Installation Instructions

B Electrical Connections

ATTENTION INSTALLER!!!

All electric wall ovens must be hard wired (direct wired) into an approved junction box. A plug and receptacle is NOT permitted on these products.

Do not shorten the flexible conduit. The conduit strain Relief Clamp must be securely attached to the junction box and the flexible conduit must be securely attached to the clamp. If the flexible conduit will not fit within the clamp, do not install the oven until a clamp of the proper size is obtained.

NOTE TO ELECTRICIAN: The 3 power leads supplied with this appliance are UL recognized for connection to larger gauge household wiring. The insulation of these 3 leads is rated at temperatures much higher than the temperature rating of household wiring. The current carrying capacity of the conductor is governed by the temperature rating of the insulation around the wire, rather than the wire gauge alone.



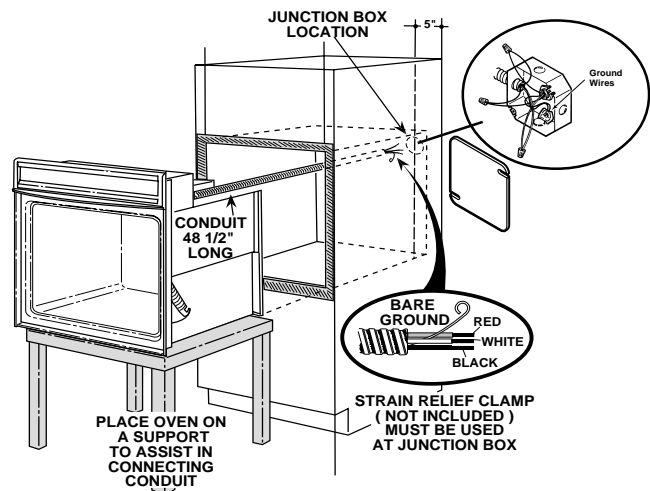
WARNING: Improper connection of aluminum house wiring to copper leads can result in an electrical hazard or fire. Use only connectors designed for joining copper to aluminum and follow the manufacturer's recommended procedure closely.

B1

Turn off the circuit breaker or remove fuses to the oven branch circuit.

B2

With the oven in front of the cabinet opening, on a table or platform, connect the flexible conduit to the electrical junction box as shown below. You will need to purchase a strain relief clamp to complete the connection of the conduit to the junction box.



Installation Instructions

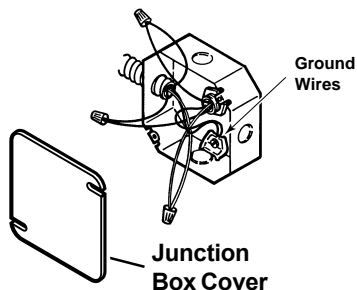
B Electrical Connections cont.

NEW CONSTRUCTION AND FOUR-CONDUCTOR BRANCH CIRCUIT CONNECTION

B3

- When installing in a new construction, or
- When installing oven in a mobile home, or
- When local codes do not permit grounding through neutral:

- a. Cut the neutral (White) lead from the crimp. Re-strip the neutral (white) lead to expose the proper length of conductor.



- b. Attach the appliance grounding lead (green or bare copper) in accordance with local codes. If the residence grounding conductor is aluminum, see WARNING note.
- c. Connect the oven neutral (white) lead to the branch circuit neutral (white or gray) in accordance with local codes, using wire nut.
- d. Connect the oven red lead to the branch circuit red lead and the oven black lead to the branch circuit black lead in accordance with local codes, using wire nuts. If the residence red, black or white leads are aluminum conductors, see "WARNING" note on preceding page.
- e. Install Junction Box Cover.

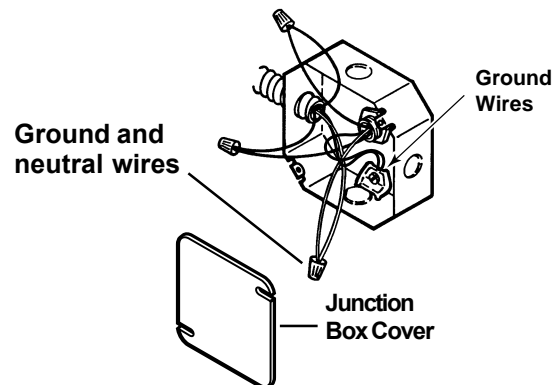
OR

B4

Three-Conductor Branch Circuit Connection

When connecting to a 3-conductor branch circuit, if local codes permit:

- a. Connect the bare oven ground conductor with the crimped neutral (white) lead to the branch circuit neutral (white or gray in color), using wire nut.



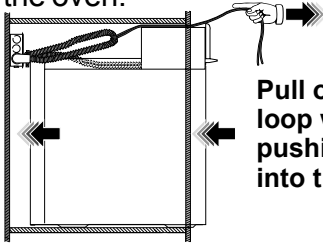
- b. Connect the oven red lead to the branch circuit red lead, using wire nut.
- c. Connect the oven black lead to the branch circuit black lead in accordance with local codes, using wire nut. If the residence red, black or white leads are aluminum conductors, see "WARNING" note on preceding page.
- d. Install Junction Box Cover.

Installation Instructions

C Placing the Oven in the Opening

C1 Sliding the Oven Into the Opening.

- a. Loop (do not tie) a 36" string around the conduit before the oven is slid into place. This will keep the conduit from falling behind the oven.



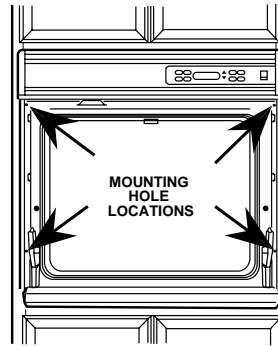
Pull out on string loop while pushing the oven into the cabinet

- b. Lift oven into cabinet cutout using the oven opening as a grip. Carefully push against oven front frame. Do not push against outside edges.
- c. As you slide the oven back, pull the string so that the conduit will lie on top of the oven in a natural loop.
- d. When you are sure the conduit is out of the way, slide the oven 3/4 way back into the opening. Remove the string by pulling on one end of the loop.

C2 Drilling the Pilot Holes

Note: Before drilling the pilot holes make sure the oven is pushed as far back into the opening as it will go and centered.

- a. Drill four 1/8" pilot holes through the mounting holes (top and bottom) of the side trim, for the four #8 screws provided. **Drill eight holes for the Double Oven.**



The screws must be a minimum of 1/4" from the front of the cutout.

NOTE: Mounting screws must be used. Failure to do so could result in the oven falling out of the cabinet causing serious injury.

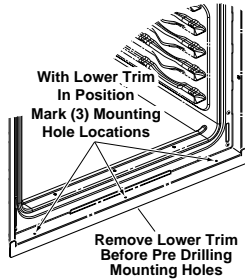
- b. Secure the oven to cabinet with screws provided.

NOTE: If the cabinet is particle board, you must use 4 #8 x 3/4 particle board screws. These may be purchased at any hardware store.

Installation Instructions

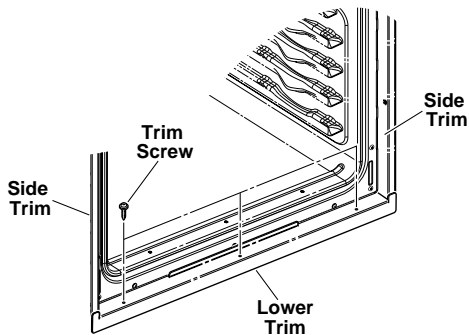
C3 Preparing for the bottom Trim Installation

- With oven installed, take the bottom trim and center it on the bottom front edge of the cabinet opening.
- Using the trim as a template mark the center of each slot (three total) where the mounting holes will be drilled.
- Remove the trim.
- Drill pilot holes into the center of each template mark.



C4 Installing the Bottom Trim

- Place the bottom trim centered over the pre-drilled mounting holes. Tape the edges of the trim down to maintain the alignment.



- Using the three pan head trim screws provided secure the bottom trim to the bottom edge of the cabinet.

IMPORTANT: If this unit is ever removed from the cabinet or the cavity is ever pulled out for service, the trim must be removed first or damage to the trim will occur.

D Replacing the Oven Door

The oven door is heavy. You may need help lifting the door high enough to slide it into the hinges slots. Do not lift the door by the handle.

Replacing the Oven Door

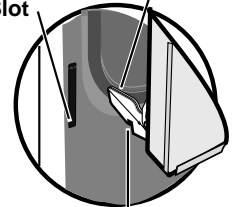
- Pick the Oven Door up by placing one hand on each side. The door is heavy so you may need help. Do not lift the door by the handle.



- Place the notch of the hinge arm into the bottom edge of the hinge slot.

Bottom Edge Of Slot

Hinge Arm

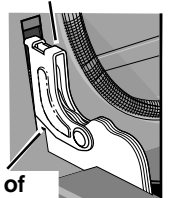


Hinge Notch

- Open the oven door as far as it will open.

- Push the hinge locks up against the front frame of the oven cavity, to the locked position.

Hinge in Locked Position



- Close the oven door.

Notch of Hinge Securely Fitted into Bottom of Hinge Slot

Installation Instructions



PRE-TEST CHECK LIST



Remove all protective film if present, and any stickers.



Check that the bottom trim is installed properly (see page 10).



Check to be sure that all wiring is secure and not pinched or in contact with moving parts.



Check to be sure the mounting screws are installed and flush with the side trim, (see page 10).



Operation Checklist



Remove all items from the inside of the oven.



NOTE TO ELECTRICIAN:
The power leads supplied with this appliance are UL recognized for connections to larger gauge household wiring. The insulation of these leads is rated at temperatures much higher than the temperature rating of household wiring. The current carrying capacity of a conductor is governed by the wire gauge and also the temperature rating of the insulation around the wire.



Check that conduit is securely connected to the junction box.



Turn on the power to the oven. (Refer to your Use and Care Manual.) Verify that the bake and broil units, and all cooking functions operate properly.

NOTE: ALUMINUM WIRING

A. WARNING:

IMPROPER CONNECTION OF ALUMINUM HOUSE WIRING TO THE COPPER LEADS CAN RESULT IN A SERIOUS PROBLEM.

B. Splice copper wires to aluminum wiring using special connectors designed and UL approved for joining copper to aluminum and follow the manufacturer's recommended connector procedure closely.

NOTE: Wire used, location and enclosure of splices, etc., must conform to good wiring practice and local codes.



Check that the circuit breaker is not tripped or the house fuse is blown.



See Use & Care manual for troubleshooting list.

Free Manuals Download Website

<http://myh66.com>

<http://usermanuals.us>

<http://www.somanuals.com>

<http://www.4manuals.cc>

<http://www.manual-lib.com>

<http://www.404manual.com>

<http://www.luxmanual.com>

<http://aubethermostatmanual.com>

Golf course search by state

<http://golfingnear.com>

Email search by domain

<http://emailbydomain.com>

Auto manuals search

<http://auto.somanuals.com>

TV manuals search

<http://tv.somanuals.com>