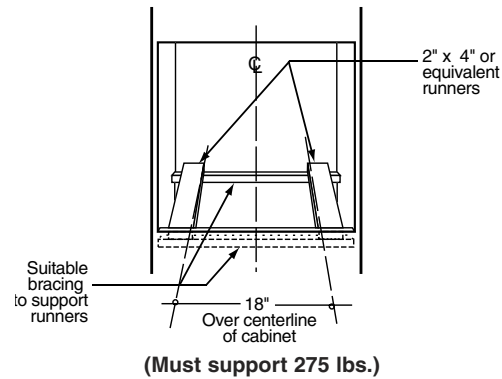
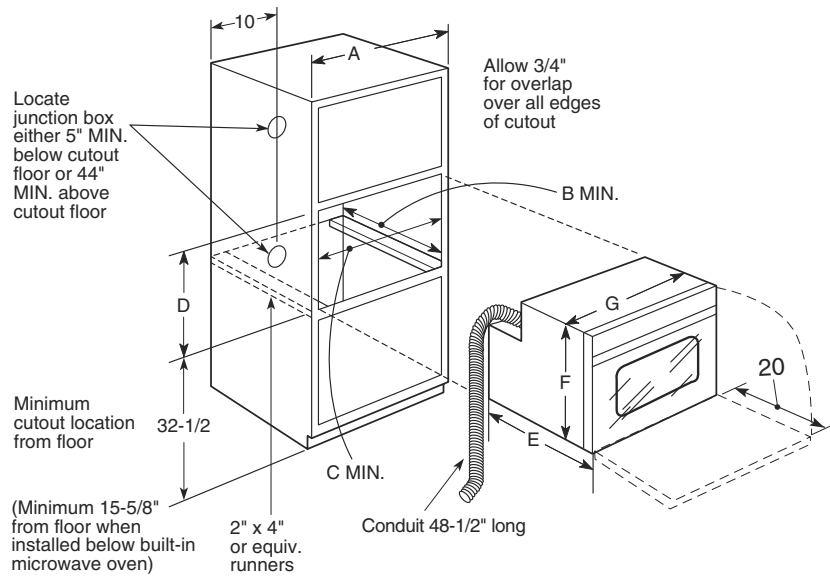




GE Appliances

# JKP25SH – GE® 27" Built-In Single Oven

## 27" Built-In Single Oven Dimensions (in inches)



KW Rating	
240V	3.4
208V	2.6
Breaker Size	
240V	20 Amps
208V	20 Amps

Cabinet	27"
A – Cabinet Width Required	27" min.
B – Minimum Cabinet Depth	23-5/8"
C – Opening Width	25" min. - 25-1/4 max.
D – Opening Height	27-5/8" min. - 28-1/8 max.
Oven	
E – Overall Depth	23-5/8"
	w/o trim 28-1/4"
F – Overall Height	with trim 29"
G – Overall Width	26-5/8"

**Installation Information:** Before installing, consult installation instructions packed with product for current dimensional data.

**Note:** These ovens are *not* approved for stackable or side-by-side installations.

**Note:** These ovens can be installed side-by-side with no less than 30" distance between center-to-center of each oven.

**Note:** Cabinets installed adjacent to wall ovens must have an adhesion spec of at least a 194°F temperature rating.

**Note:** For 27" built-in single ovens, if marks, blemishes or the cutout opening is visible above the installed oven, it may be necessary to add wood shims under the runners and front trim until the marks or openings are covered.

Electric wall ovens are not approved for installation with a plug and receptacle. They must be hard wired in accordance with installation instructions.



Listed by Underwriters Laboratories



For answers to your Monogram®, GE Profile™ or GE® appliance questions, visit our website at [GEAppliances.com](http://GEAppliances.com) or call GE Answer Center® service, 800.626.2000.

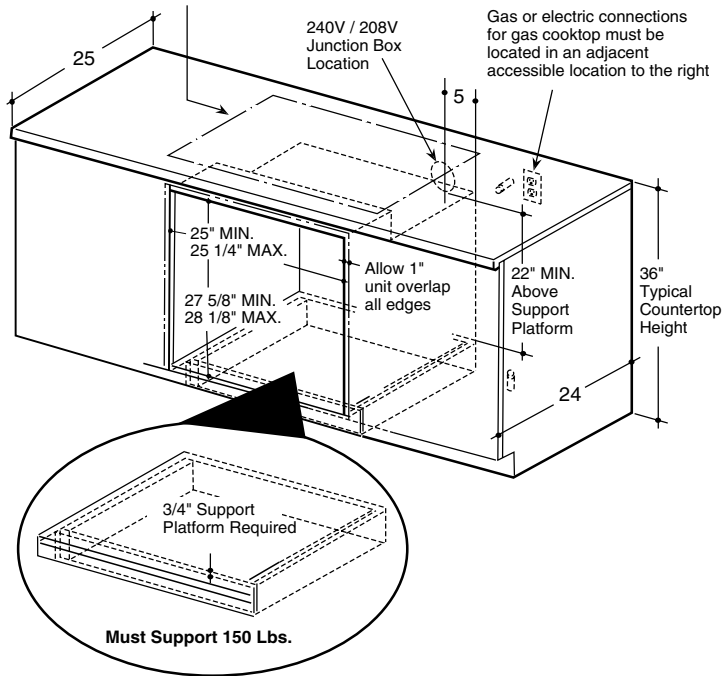


GE Appliances

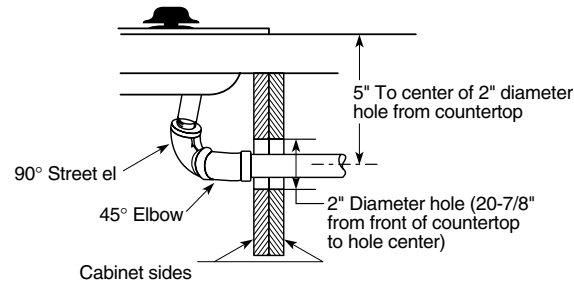
# JKP25SH – GE® 27" Built-In Single Oven

## Undercounter Installation Dimensions (in inches)

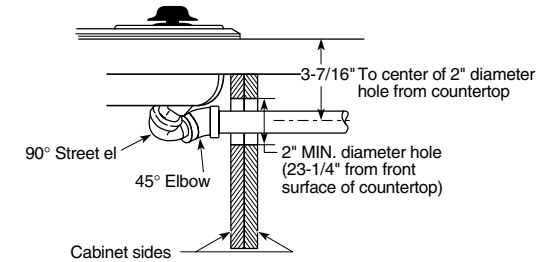
Gas or electric cooktops may be installed over this oven. See cooktop installation instructions for cutout size. See label on top of oven for approved cooktop models.



## Sealed Burner Gas Cooktop Installation Dimensions (in inches)



## Standard Burner Gas Cooktop Installation Dimensions (in inches)



**Note:** Cabinets installed adjacent to wall ovens must have an adhesion spec of at least a 194°F temperature rating.

**Note:** Oven is rated for use only under 30" standard or sealed burner gas and selected 30" CleanDesign and Calrod® electric cooktops.

**Installation Information:** Before installing, consult installation instructions packed with product for current dimensional data.

**Electric wall ovens are not approved for installation with a plug and receptacle. They must be hard wired in accordance with installation instructions.**

Specification Revised 7/05  
320431



Listed by  
Underwriters  
Laboratories

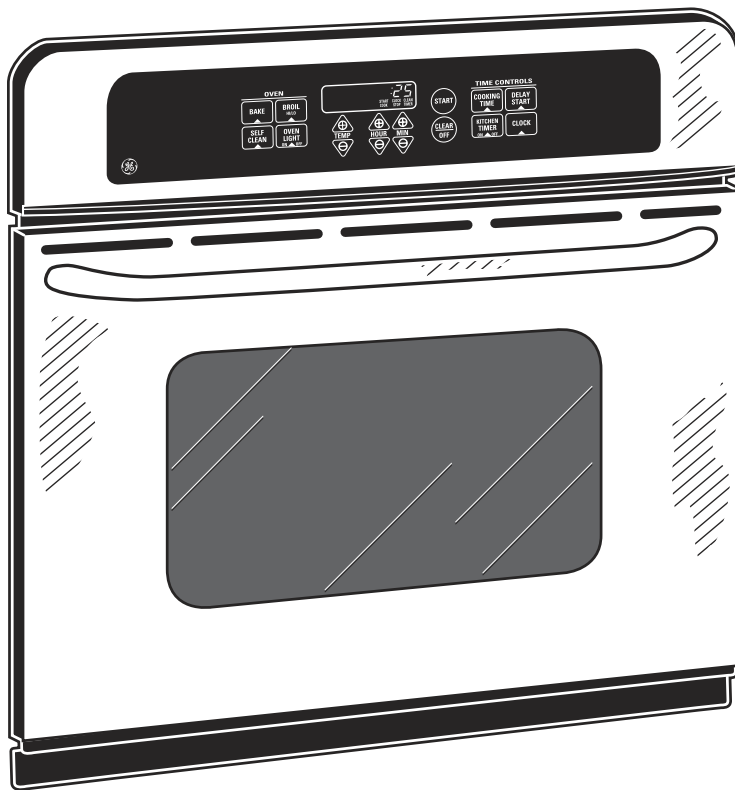


For answers to your Monogram®, GE Profile™ or GE® appliance questions, visit our website at [GEAppliances.com](http://GEAppliances.com) or call



**GE Appliances**

## JKP25SH – GE® 27" Built-In Single Oven



### Features and Benefits

- Self-clean oven – Conveniently cleans oven cavity without the need for scrubbing.
- Extra-large oven capacity – Provides a large oven interior ideal for cooking more items at once.
- Electronic oven controls – One-touch electronic pads are easy-to-use and allow for simple oven operation.
- TrueTemp™ system – Delivers even heat distribution and maximum oven control.
- Big ClearView™ window – An extra large clear window makes monitoring the progress of the food easy.
- Interior oven light – Supplies light to make viewing progress of cooking easy and convenient.
- Dual element bake – Alternates the upper broiling element and the lower baking elements for even heating and optimal baking results.
- Model JKP25SHSS – Stainless steel

## Free Manuals Download Website

<http://myh66.com>

<http://usermanuals.us>

<http://www.somanuals.com>

<http://www.4manuals.cc>

<http://www.manual-lib.com>

<http://www.404manual.com>

<http://www.luxmanual.com>

<http://aubethermostatmanual.com>

Golf course search by state

<http://golfingnear.com>

Email search by domain

<http://emailbydomain.com>

Auto manuals search

<http://auto.somanuals.com>

TV manuals search

<http://tv.somanuals.com>