

27" built-in double ovens

		GE Profile™		GE®			
		27" convection double ovens		27" double ovens			
		PK956SM PK956WM PK956CM PK956BM		JKP75SM JKP75WM JKP75BM	JKP55SM JKP55WM JKP55CM JKP55BM	JKP35SM JKP35WM JKP35BM	JKP90SM JKP90WM JKP90CM JKP90BM
Features							27" microwave double oven
Oven	Upper Lower	Convection/self-clean Self-clean		Convection/self-clean Self-clean	Self-clean Self-clean	Self-clean Standard	Microwave Self-clean
Cleaning time		Variable		Variable	Variable	Variable (upper)	Variable (lower)
Automatic self-clean oven door lock		●		●	●	Upper	Lower
Self-clean oven w/Delay Clean option		●		●	●	Upper	Lower
Light self-clean option		●		●	●	Upper	Lower
TrueTemp™ system		●		●	●	Upper	Lower
Hidden bake oven interior		●		●	●	●	Lower
Variable broil/Four-pass broil		●		●	●	●	Lower
Eight-pass bake element		●		●	●	●	Lower
PreciseAir™ convection system		Upper		Upper			
Multi-rack convection bake		Upper		Upper			
Single-rack convection bake		Upper					
Convection roast		Upper		Upper			
Auto Recipe™ conversion		Upper		Upper			
SmartSet Controls		Glass touch		●	●	Upper	Lower
Proof mode		●					
Warm mode		●					
Oven meat probe		Upper					
Temperature display		●		●	●	Upper	Lower
Delay Bake Option		●		●	●	Upper	Lower
C° and F° programmable		●		●	●	Upper	Lower
Audible preheat signal		●		●	●	Upper	Lower
Auto oven shut-off w/override		●		●	●	Upper	Lower
Electronic clock and kitchen timer		●		●	●	●	●
Control lock capability		●		●	●	Upper	Lower
Oven light		●		●	●	●	Lower
Certified Sabbath mode		●		●	●	Upper	Lower
Flat convection cover		●		●			
QuietBake™ fan system		●		●	●	●	●
Microwave oven features:							
Microwave cooking timer							99-min./99-sec.
Microwave power levels							10
Sensor functions							3
Electronic MWO touch controls							●
Microwave oven cavity (cu. ft.)							1.6
MWO power output watts							1000
Turntable							●
Oven racks	Upper Lower	3 heavy-duty 2 heavy-duty		3 heavy-duty 2 heavy-duty	2 heavy-duty 2 heavy-duty	2 heavy-duty 2 heavy-duty	2 heavy-duty
Self-clean oven racks		●					
Embossed rack positions		7 upper/7 lower		7 upper/7 lower	7 upper/7 lower	7 upper/7 lower	7 lower
Appearance							
Color appearance*		SS WW CC BB		SS WW CC BB	SS WW CC BB	SS WW CC BB	SS WW CC BB
Frameless oven doors		Stainless steel White glass Bisque glass Black glass		Stainless steel White glass Black glass	Stainless steel White glass Bisque glass Black glass	Stainless steel White glass Black glass	Stainless steel White glass Bisque glass Black glass
Big ClearView™ window		●		●	●	●	Lower
Oven door handles		Sculptured stainless steel Sculptured white Sculptured bisque Sculptured black		Stainless steel White Black	Stainless steel White Bisque Black	Stainless steel White Black	Stainless steel White Bisque Black
Weights & Dimensions							
Approx. shipping wt. (lbs.)		235		206	203	187	186
Oven cabinet width required (in.)		27		27	27	27	27
Overall dimensions (WxHxD in inches)		26-5/8 x 51 x 23-5/8		26-5/8 x 51 x 23-5/8	26-5/8 x 51 x 23-5/8	26-5/8 x 51 x 23-5/8	26-5/8 x 51 x 23-5/8
Overall oven interior dimensions (WxHxD in inches)	Upper Lower	21-1/2 x 17 x 18-1/4 21-1/2 x 17 x 18-1/4		21-1/2 x 17 x 18-1/4 21-1/2 x 17 x 18-1/4	21-1/2 x 17 x 18-1/4 21-1/2 x 17 x 18-1/4	21-1/2 x 17 x 18-1/4 21-1/2 x 17 x 18-1/4	16 x 11-1/8 x 13-3/8 21-1/2 x 17 x 18-1/4
Power/Ratings							
KW rating @	240V 208V	6.8 5.1		6.8 5.1	6.8 5.1	7.1 5.3	6.4 5.1
Amps @	240V 208V	30 30		30 30	30 30	30 30	30 30
Convection wattage		2500		2500			
Broiler/bake wattage		3400/2100		3400/2100	3400/2100	3400/2100	3400/2100

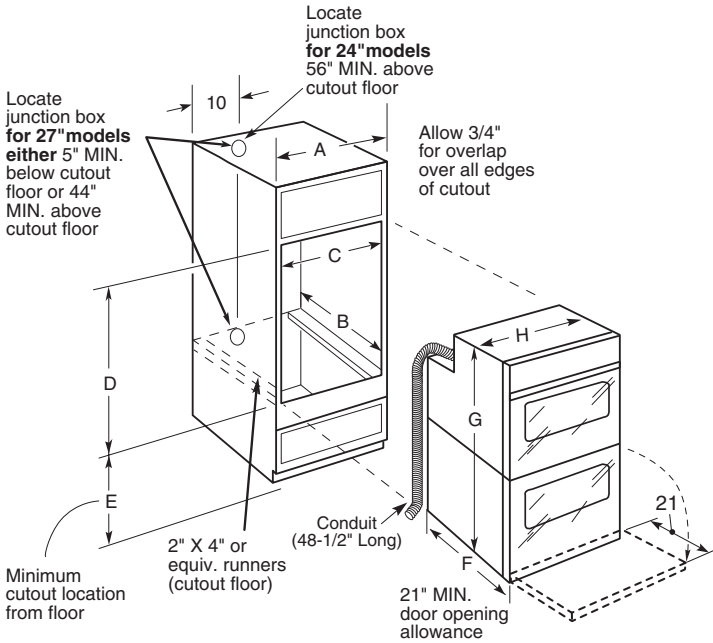
*SS = Stainless steel, WW = White on white, CC = Bisque on bisque, BB = Black on black.



Listed by
Underwriters
Laboratories

27" built-in double ovens (continued)

27" built-in double oven dimensions (in inches) 27" models PK956, JKP75, JKP55, JKP35



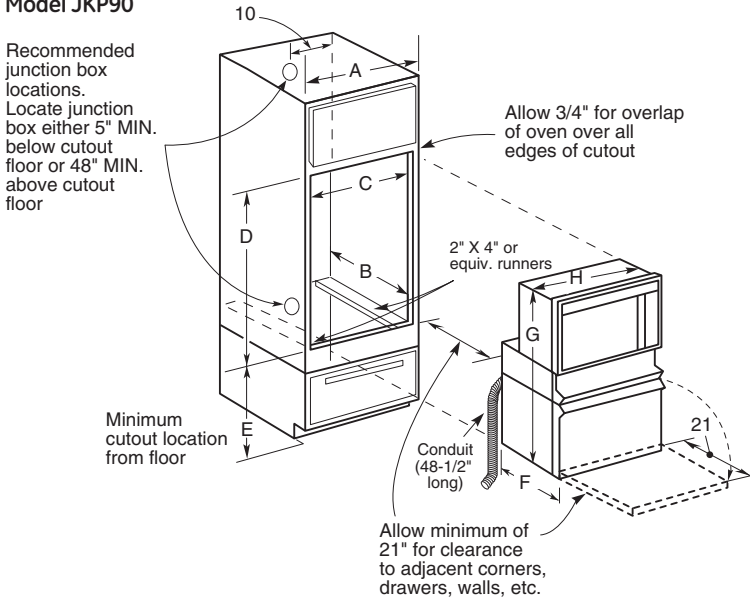
Note: Cabinets installed adjacent to wall ovens must have an adhesion spec of at least a 194°F temperature rating.

Note: If marks, blemishes or the cutout opening is visible above the installed oven, it may be necessary to add wood shims under the runners and front trim until the marks or openings are covered.

Note: Door handle protrudes 3" from door face. Cabinets and drawers on adjacent 45° and 90° walls should be placed to avoid interference with the handle.

27" built-in microwave double oven dimensions (in inches)

Model JKP90



Note: Door handle protrudes 3" from door face. Cabinets and drawers on adjacent 45° and 90° walls should be placed to avoid interference with the handle.

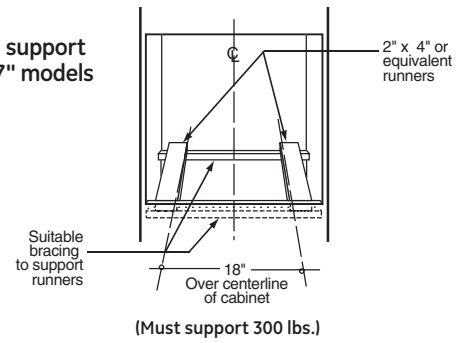
Note: Cabinets installed adjacent to wall ovens must have an adhesion spec of at least a 194°F temperature rating.

Note: If marks, blemishes or the cutout opening is visible above the installed oven, it may be necessary to add wood shims under the runners and front trim until the marks or openings are covered.

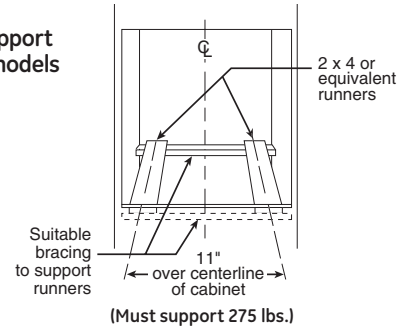
Electric wall ovens are not approved for installation with a plug and receptacle. They must be hard wired in accordance with installation instructions.

Installation information: Before installing, consult installation instructions packed with product for current dimensional data.

Oven support for 27" models

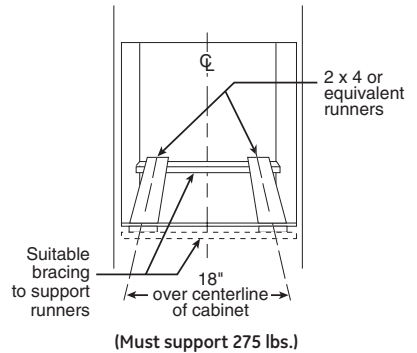


Oven support for 24" models



Cabinet	JKP956/JKP75/55/35
A - Cabinet width required	27" min.
B - Minimum cabinet depth	23-5/8"
C - Opening width	25" min. - 25-1/4" max.
D - Opening height	50-1/8" max.
E - Recommended minimum cutout location from floor	13-1/4"
Oven	
F - Overall depth*	23-5/8"
	w/o trim 51"
G - Overall height with trim	51-7/8" - 52-3/4"
H - Overall width	26-5/8"

*Depth including door handle is approximately 26-7/10" min. to 26-8/10" max. on models PK956, JKP75/55/35.



Cabinet	27"
A - Cabinet width required	27" min.
B - Minimum cabinet depth	23-5/8"
C - Opening width	25" min. - 25-1/4" max.
D - Opening height	41-1/4" max.
E - Minimum cutout location from floor	22"
Oven	
F - Overall depth*	23-5/8"
	w/o trim 42-1/8"
G - Overall height with trim	43" - 43-7/8"
H - Overall width	26-5/8"

*Depth including door handle is approximately 26-7/10" min. to 26-8/10" max.

Free Manuals Download Website

<http://myh66.com>

<http://usermanuals.us>

<http://www.somanuals.com>

<http://www.4manuals.cc>

<http://www.manual-lib.com>

<http://www.404manual.com>

<http://www.luxmanual.com>

<http://aubethermostatmanual.com>

Golf course search by state

<http://golfingnear.com>

Email search by domain

<http://emailbydomain.com>

Auto manuals search

<http://auto.somanuals.com>

TV manuals search

<http://tv.somanuals.com>