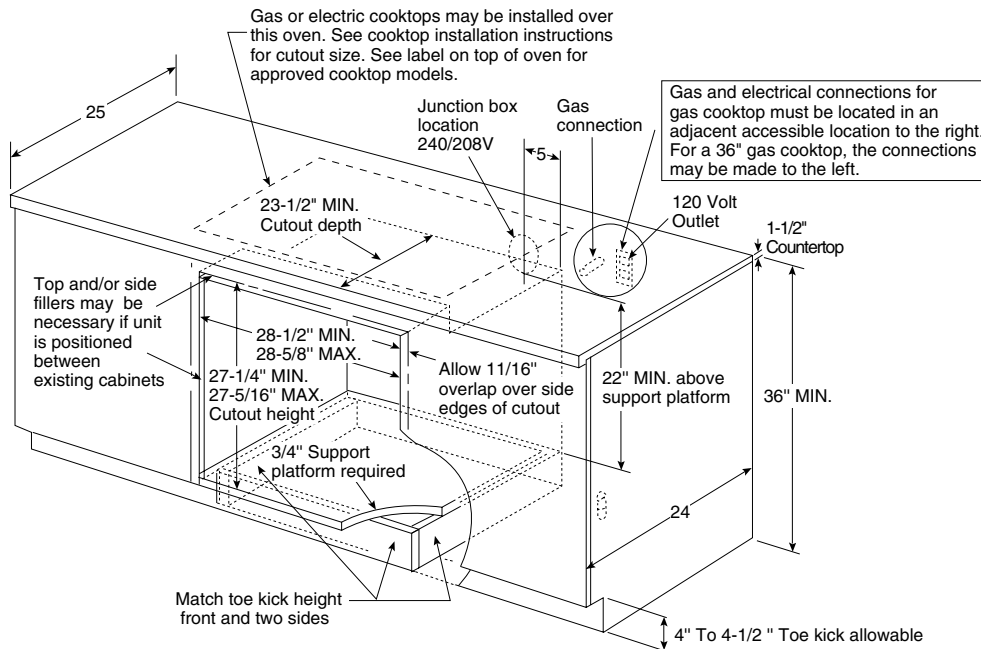




Profile™

JTP17SCSS - GE Profile™ 30" Single Wall Oven

Undercounter Installation (in inches)



Note: Oven is rated for use only under the following cooktops:

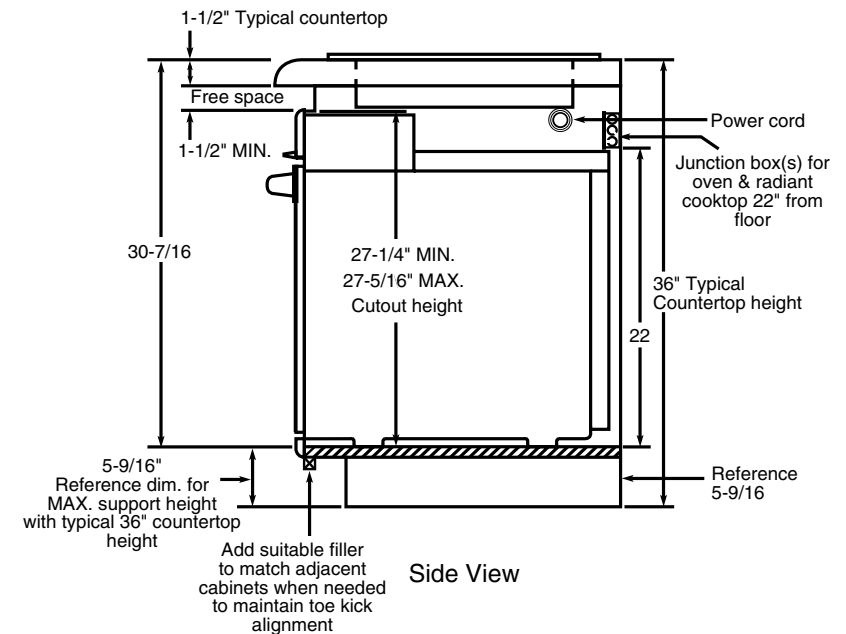
- GE 30" and 36" electric coil and CleanDesign cooktops (Excluding Induction)
- GE 30" and 36" gas standard and sealed burner cooktops

Note: Gas or electric cooktops may be installed over this oven. See cooktop installation instructions for cutout size. See label on back of oven for approved cooktop models.

Installation Information: Before installing, consult installation instructions [Pub. No. 31-10125] packed with product for current dimensional data and for alternate installation options.

Specification Revised 11/00

Optional Custom Installation for 30" CleanDesign (Excluding Induction) or Sealed Burner Gas Cooktop (in inches)



This installation is to achieve minimum gap between bottom of countertop and control panel.

Note: For this installation, the bottom trim **will not** be flush with a typical 4" toe kick.

Note: Cabinets installed adjacent to wall ovens must have an adhesion spec of at least 194°

For answers to your Monogram®, GE Profile Performance Series™, GE Profile™ or GE appliance questions, call GE Answer Center® service, 800.626.2000.

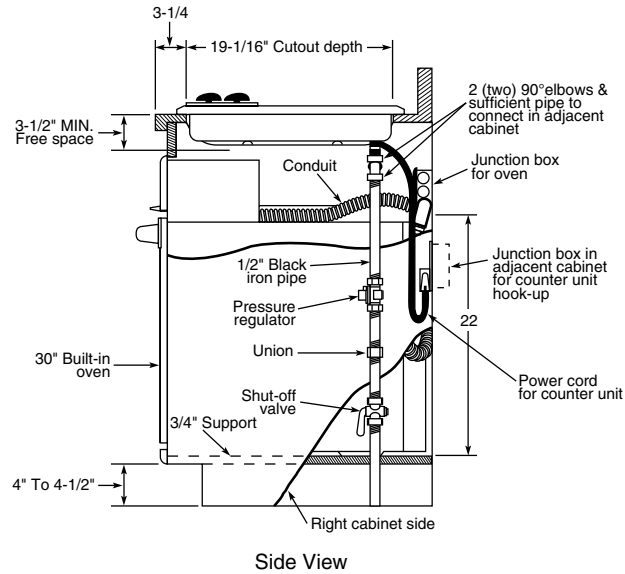




Profile™

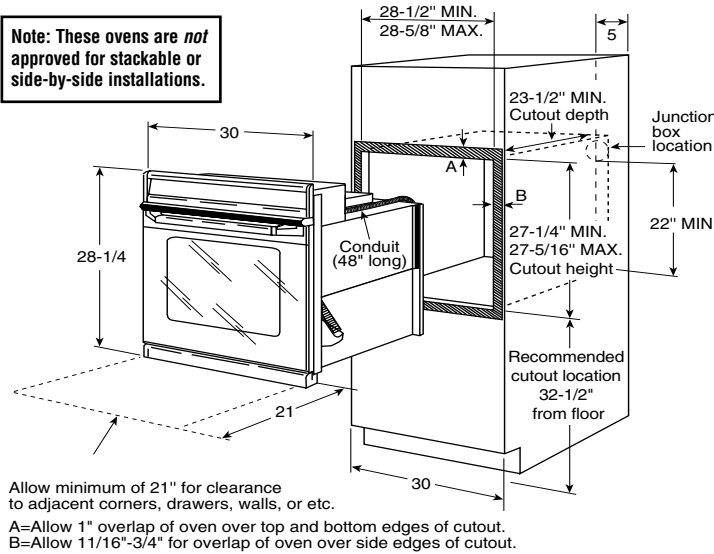
JTP17SCSS - GE Profile™ 30" Single Wall Oven

Optional Undercounter Installation with 36" Gas Cooktop (in inches)



Single Oven Wall-Mount or Cabinet Installation Dimensions (in inches)

Note: These ovens are *not* approved for stackable or side-by-side installations.



KW Rating	
240V	3.6
208V	2.7
Breaker Size	
20 Amps†	

†Note: Check local codes for required breaker size

Note: Oven is rated for use only under the following cooktops:

- GE 30" and 36" electric coil and CleanDesign cooktops (Excluding Induction)
- GE 30" and 36" gas standard and sealed burner cooktops

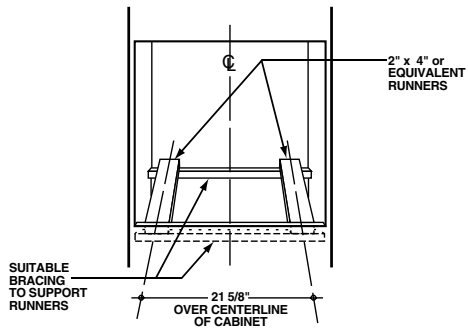
Note: Gas or electric cooktops may be installed over this oven. See cooktop installation instructions for cutout size. See label on back of oven for approved cooktop models.

Installation Information: Before installing, consult installation instructions [Pub. No. 31-10125] packed with product for current dimensional data and for alternate installation options.

For answers to your Monogram®, GE Profile Performance Series™, GE Profile™ or GE appliance questions, call GE Answer Center® service, 800.626.2000.



Listed by Underwriters Laboratories



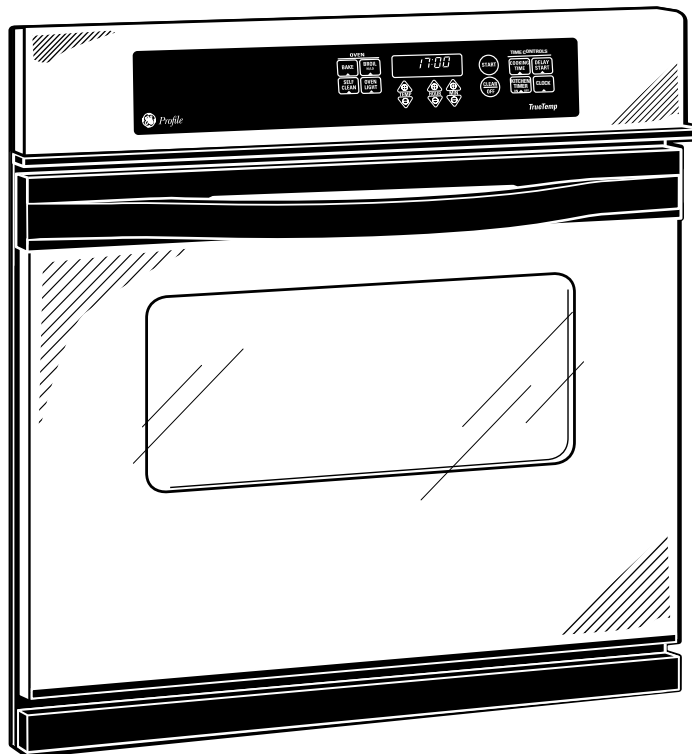
Most 30" Wall Cabinets can be used with this unit.

Specification Revised 11/00



Profile™

JTP17SCSS - GE Profile™ 30" Single Wall Oven



Features and Benefits

- TrueTemp™ System
- Extra Large Capacity Self-Clean Oven with Delay Clean Option
- SmartSet Electronic Oven Controls
- Electronic Clock and Kitchen Timer
- Variable Broil / Six-Pass Broil Element
- Extra-Large Broiler Pan with Grid
- 2 Oven Racks / 6 Embossed Rack Positions
- Up-Front Oven Light
- Frameless Glass Oven Door with Big-View Window
- Sure Grip Designer-Style Handle
- 30" Oven Cabinet Width Required
- Undercounter Installation Option
- Model JTP17SCSS - Stainless Steel

Specification Revised 11/00

Free Manuals Download Website

<http://myh66.com>

<http://usermanuals.us>

<http://www.somanuals.com>

<http://www.4manuals.cc>

<http://www.manual-lib.com>

<http://www.404manual.com>

<http://www.luxmanual.com>

<http://aubethermostatmanual.com>

Golf course search by state

<http://golfingnear.com>

Email search by domain

<http://emailbydomain.com>

Auto manuals search

<http://auto.somanuals.com>

TV manuals search

<http://tv.somanuals.com>