



wall ovens

New product introductions May/June 2007
GE Profile™ and GE® wall ovens



imagination at work

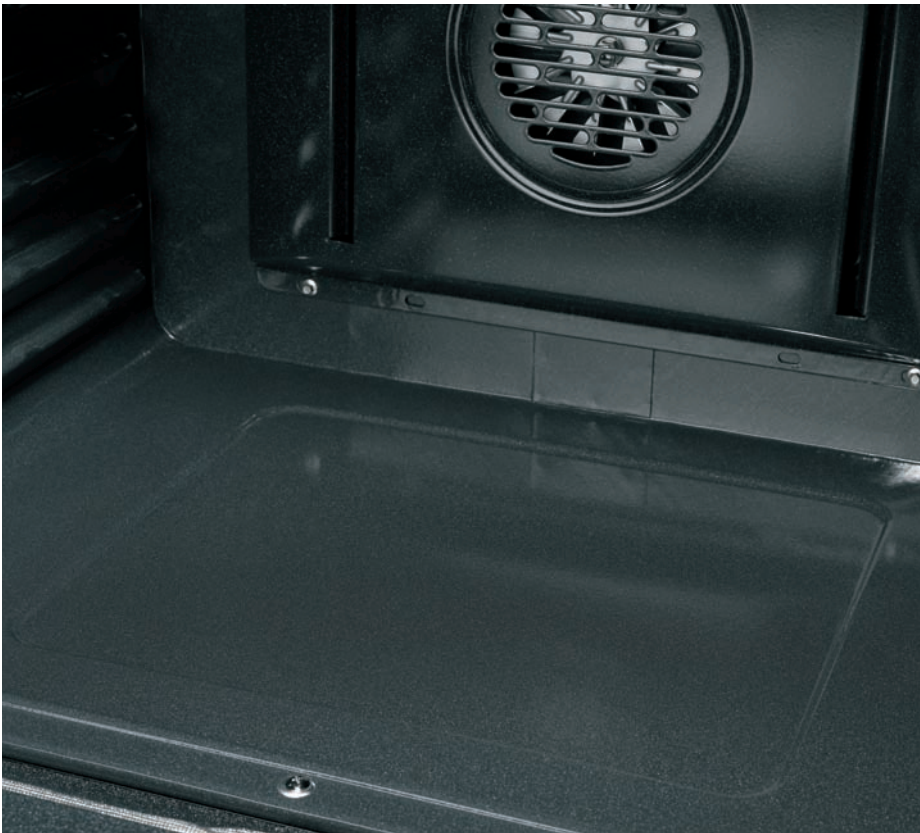
What's new: GE Profile™ wall ovens

The maximum in cooking performance and versatility



New Distinguished Appearance

The dramatic new appearance of GE Profile wall ovens includes a full stainless steel door, **LCD control panel*** and updated control graphics.



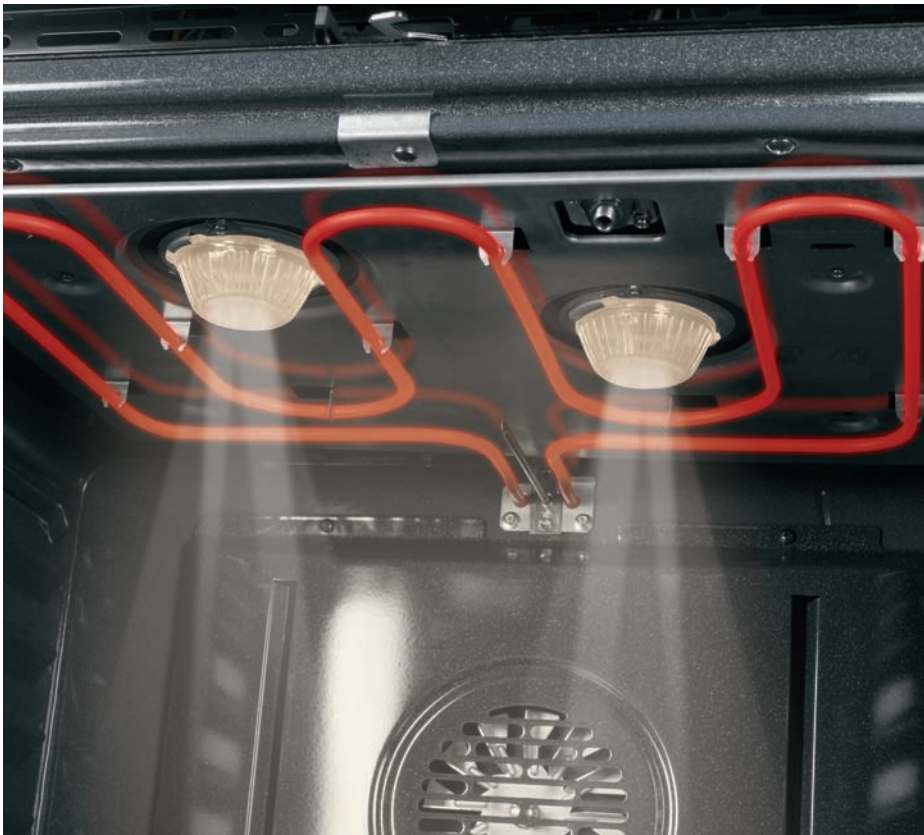
Easy Cleanability

New **heavy-duty, self-clean oven racks, glass-touch controls** and **True Hidden Bake oven interior** make these ovens easy to clean.



Superior Performance

Both upper and lower GE Profile ovens offer GE® exclusive **PreciseAir™ convection****. Other new features include a **QuietBake™ fan system** and **faster preheat**.



Remarkable Versatility

A **new, redesigned broil element** is closer to the top of the oven, enhancing cooking space (4.4 cu. ft. on 30" models and 3.8 cu. ft. on 27" models) and closed-door broiling performance.

*Only available on PT960 and PT920 models.
**Double oven convection only available in PT960.

What's new: GE Profile™ wall ovens



GE Profile model PT960

All-new control panel



Proximity sensor

Illuminates controls when user approaches to ensure visibility and add convenience.



Tri-lingual

Offers three programmable languages—English, Spanish and French, to accommodate a wide variety of users.



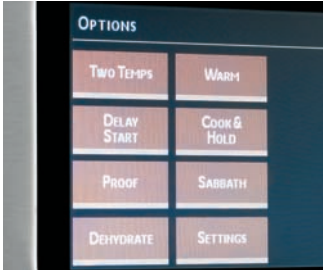
Back lit control

Provides lighting to make panels easily visible for quicker, safer usage.



Probe guide

Takes the guesswork out of roasting by cooking foods to the exact result you desire.



Customizable display color

Offers eight choices so users can complement their existing kitchen décor.



Two-temp cooking

Allows the user to program oven for pie crusts and other baked goods at two different temperatures for two different time periods.



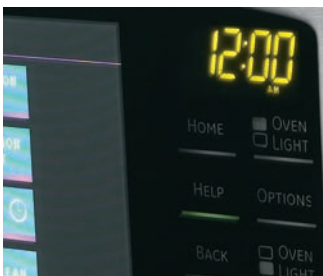
Glass touch controls

Features a smooth glass design that looks great and is easy to clean.



Broil guide

Helps users operate the broil feature with the door closed to simplify broiling.



Optional display features

Includes a 24-hour/12-hour or no clock display giving users options to meet personal preferences.



Favorite recipe

Provides an opportunity to program favorite recipes into the oven.



Cooking modes

Feature multiple options such as warm, proof and broil for specific cooking tasks to ensure desired results.



Dehydrate

Provides a special setting for drying foods to make cooking efficient and adaptable.

Not all features available on all models.

Feature gallery: GE Profile™ wall ovens





1 LCD touch screen/ glass touch controls

Combine a smooth, easy-to-clean glass design with large, easy-to-read graphics to facilitate easier usage.



2 Window

Supplies a large, enhanced viewing area to see food clearly and easily during operation.



3 Beveled edges*

Adds a design element to the frame of the oven window for a unique and attractive overall appearance.



Certified Sabbath mode

Allows consumers to keep cooked foods warm on the Jewish Sabbath and Jewish holidays.



4 No door vent trim

Provides a smooth, lustrous look to add a sense of style and refinement to the kitchen.

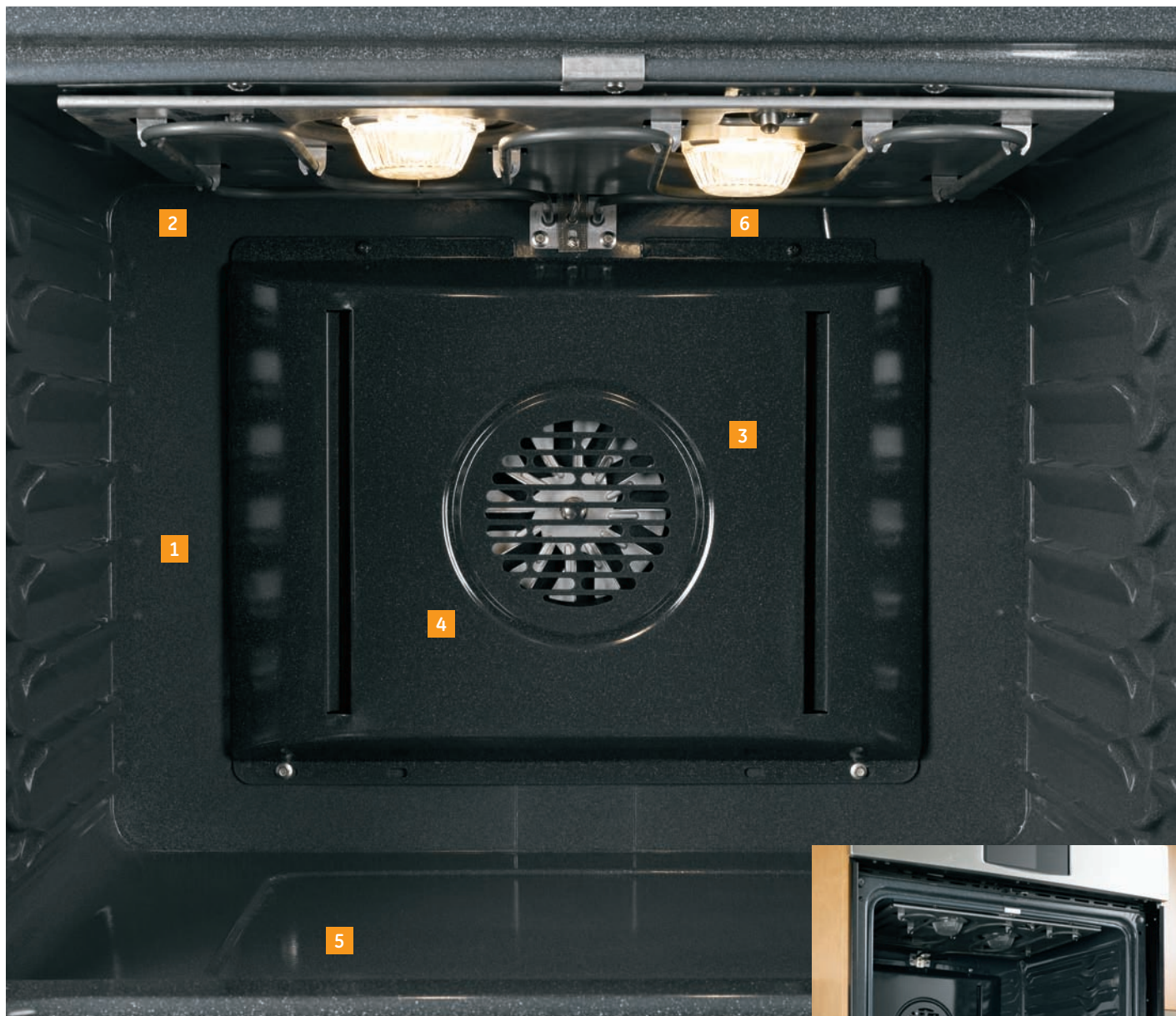


Gloss handle

Adds a touch of subtle elegance that blends naturally with any appliance color.

*Stainless steel models only
Not all features available on all models.

The inside story: GE Profile™ wall ovens



GE Profile model PT960



Now available with double oven convection (model PT960)

Not all features available on all models.



1

Largest wall oven capacity in industry*

Provides plenty of room to cook the biggest of meals. 4.4 cu. ft. on 30" models and 3.8 cu. ft. on 27" models.



2

Broil element and reflector

A new six-pass broil element with reflectors delivers closed-door broiling performance.

new!



3

Flat convection cover

Features a more streamlined convection fan that better accommodates baking and roasting pans.

new!



4

Heavy-duty, self-clean racks

Double-coated porcelain racks provide extra support and no longer require hand cleaning.

new!



5

PreciseAir™ convection

Uses a third dual loop heating element and an innovative fan that reverses direction for optimal baking performance.



6

QuietBake™ fan system

Features a much quieter two-speed fan with shorter fan run times.

new!



7

True Hidden Bake

Hides exposed bottom element to make cleanup even easier.

new!



8

Faster preheat

Provides up to 55% faster time to preheat, which delivers significant time savings.

new!



9

Improved air flow

Reduces oven door temperature by venting warm air out below the doors.

new!



10

Meat probe

Displays the internal temperature and signals when meats are cooked to perfection.



11

Improved lighting

Positions lamps diagonally across the top of the oven to promote better viewing.

new!



12

TrueTemp™ system

Provides even heat distribution and precise oven control.

Not all features available on all models.
*Among leading brands

Feature gallery: GE® wall ovens



GE model JTP75



GE model JTP70



1

Updated control panel

Presents a new, modern design to incorporate new features for simpler oven operation.



2

Gloss handles

Adds a touch of subtle elegance that blends naturally with any appliance color.



3

Bigger hearth window

An extra-large ClearView window makes monitoring the progress of food easy.



4

Improved fit/finish

Provides a more compact, sleeker look that adds a feel of sophistication to the kitchen.



5

Largest wall oven capacity in industry*

Provides plenty of room to cook the biggest of meals. 4.4 cu. ft. in 30" models and 3.8 cu. ft. in 27" models.



Heavy-duty racks

Accommodates large dishes with ease.



Certified Sabbath mode

Allows consumers to keep cooked foods warm on the Jewish Sabbath and Jewish holidays.

GE Profile™ wall ovens

Available new models



GE Profile
30" double oven
PT960

- **Glass touch LCD oven controls**
- **PreciseAir™ convection system (upper and lower oven)**
- Flat convection cover
- Convection bake/roast (single- and multi-rack) (upper and lower oven)
- True Hidden Bake oven interior
- Self-clean heavy-duty oven racks
- New GE Profile appearance
- Improved oven lighting

GE Profile
30" double oven
PT956

- Glass touch oven controls
- PreciseAir convection system (upper)
- Flat convection cover (upper oven only)
- Convection bake/roast (single- and multi-rack) (upper oven only)
- True Hidden Bake oven interior
- Self-clean heavy-duty oven racks
- New GE Profile appearance
- Improved oven lighting

GE Profile
30" single oven
PT920

- **Glass touch LCD oven controls**
- PreciseAir convection system
- Flat convection cover
- Convection bake/roast (single- and multi-rack)
- True Hidden Bake oven interior
- Self-clean heavy-duty oven racks
- New GE Profile appearance
- Improved oven lighting
- **Side-by-side installation capability**

GE Profile
27" double oven
PK956

- Similar features as the PT956, except 27" wide

Recommended cooktops

36" gas	JGP975
36" electric	PP975
30" gas	JGP945
30" electric	PP945

Recommended cooktops

36" gas	JGP975
36" electric	PP975
30" gas	JGP945
30" electric	PP945

Recommended cooktops

36" gas	JGP975
36" electric	PP975
30" gas	JGP945
30" electric	PP945

Bold indicates new feature
Not all features available on all models.



GE Profile
30" single oven
PT916

- Glass touch oven controls
- PreciseAir convection system
- Flat convection cover
- Convection bake/roast (single- and multi-rack)
- True Hidden Bake oven interior
- Self-clean heavy-duty oven racks
- New GE Profile appearance
- Improved oven lighting

GE Profile
27" single oven
PK916

- Similar features as the PT916, except 27" wide



GE Profile
30" combination double oven
PT970

- PreciseAir convection system (lower oven only)
- Convection bake/roast (lower oven only)
- Flat convection cover (lower oven only)
- True Hidden Bake oven interior (lower oven only)
- Self-clean heavy-duty oven racks (lower oven only)
- 1.6 cu. ft. microwave
- New GE Profile appearance

Recommended cooktops

36" gas	JGP975
36" electric	PP975
30" gas	JGP945
30" electric	PP945

Recommended cooktops

36" gas	JGP975
36" electric	PP975
30" gas	JGP945
30" electric	PP945

GE® wall ovens
Available new models



GE
30" double oven
JTP75

- **PreciseAir™ convection system**
- **Flat convection cover (upper oven only)**
- **Convection bake (multi-rack) (upper oven only)**
- Convection roast (upper oven only)
- True Hidden Bake oven interior
- Heavy-duty oven racks
- New GE appearance
- Improved oven lighting

GE
27" double oven
JKP75

- Similar features as the JTP75, except 27" wide

GE
30" double oven
JTP55

- **Extra-large self-clean ovens**
- TrueTemp™ system
- Improved oven lighting
- Dual element bake
- True Hidden Bake oven interior
- Heavy-duty oven racks
- New GE appearance

GE
27" double oven
JKP55

- Similar features as the JTP55, except 27" wide

GE
30" double oven
JTP35

- Self-clean oven (upper oven only)
- Extra-large oven capacity
- Electronic controls (upper oven only)
- TrueTemp system (upper oven only)
- Improved oven lighting
- Dual element bake
- New GE appearance

GE
27" double oven
JKP35

- Similar features as the JTP35, except 27" wide

Recommended cooktops

36" gas	JGP630
36" electric	JP655
30" gas	JGP330
30" electric	JP356

Recommended cooktops

36" gas	JGP630
36" electric	JP655
30" gas	JGP330
30" electric	JP356

Recommended cooktops

36" gas	JGP630
36" electric	JP655
30" gas	JGP330
30" electric	JP346

Not all features available on all models.



GE
30" single oven
JTP70

- **PreciseAir convection system**
- **Flat convection cover**
- **Convection bake (multi-rack)**
- **Convection roast**
- True Hidden Bake oven interior
- Heavy-duty oven racks
- New GE appearance
- Improved oven lighting

GE
30" single oven
JTP30

- Extra-large self-clean oven
- Electronic controls
- TrueTemp system
- True Hidden Bake oven interior
- Heavy-duty oven racks
- Improved oven lighting
- Dual element bake
- New GE appearance

GE
30" combination double oven
JTP90

- Extra-large self-clean oven
- Electronic controls
- TrueTemp system
- 1.6 cu. ft. microwave
- Sensor cooking control (upper oven only)
- Turntable (upper oven only)
- New GE appearance

GE
27" single oven
JKP70

- Similar features as the JTP70, except 27" wide

GE
27" single oven
JTP30

- Similar features as the JTP30, except 27" wide

GE
27" combination double oven
JKP90

- Similar features as the JTP90, except 27" wide

GE
27" single oven
JKS10

- Similar features as the JKP30, except standard-clean

Recommended cooktops

36" gas	JGP630
36" electric	JP655
30" gas	JGP330
30" electric	JP356

Recommended cooktops

36" gas	JGP630
36" electric	JP655
30" gas	JGP330
30" electric	JP346

Recommended cooktops

36" gas	JGP630
36" electric	JP655
30" gas	JGP330
30" electric	JP356

Electric wall oven quick pitch

The maximum in cooking performance and versatility



Superb performance

The **PreciseAir™ convection system**, with GE's exclusive reversing fan technology, is now offered in more models. This system delivers optimal heat circulation and temperature accuracy in the oven.



Exceptional versatility

A variety of **baking options** such as 1-rack convection bake, multi-rack convection bake/roast, conventional bake/roast/broil, and proof/warm/dehydrate are available to achieve optimal results.



Distinguished appearance

Full stainless steel door, LCD control panel and gloss handle on color models deliver an attractive cutting-edge design that coordinates and complements other appliances and kitchen décor.



Remarkable cleanability

Glass-touch controls, True Hidden Bake oven interior, self-clean oven racks make cleaning simple.

30" built-in double ovens

		GE Profile™		GE®			GE Profile	GE	
		Convection double ovens		Double ovens			Microwave double ovens		
		PT960SM PT960WM PT960BM	PT956SM PT956WM PT956CM PT956BM	JTP75SM JTP75WM JTP75CM JTP75BM	JTP55SM JTP55WM JTP55CM JTP55BM	JTP35SM JTP35WM JTP35CM JTP35BM	PT970SM PT970WM PT970CM PT970BB	JTP90SM JTP90WM JTP90CM JTP90BM	
Features									
		Upper Lower	Convection/self-clean Convection/self-clean	Convection/self-clean Thermal/self-clean	Convection/self-clean Self-clean	Self-clean Self-clean	Self-clean Standard	Microwave Convection/self-clean	Microwave Self-clean
		Variable	Variable	Variable	Variable	Variable (upper)	Variable (lower)	Variable (lower)	
Cleaning time		●	●	●	●	Upper	Lower	Lower	
Automatic self-clean oven door lock		●	●	●	●	Upper	Lower	Lower	
Self-clean oven w/Delay Clean option		●	●	●	●	Upper	Lower	Lower	
Light self-clean option		●	●	●	●	Upper	Lower	Lower	
TrueTemp™ system		●	●	●	●	Upper	Lower	Lower	
Hidden bake oven interior		●	●	●	●	●	Lower	Lower	
Variable broil/Six-pass broil element		●	●	●	●	●	Lower	Lower	
Eight-pass bake element		●	●	●	●	●	Lower	Lower	
PreciseAir™ convection system		●	Upper	Upper			Lower	Lower	
Convection bake		Multi/single-rack	Multi/single-rack	Upper			Lower		
Convection roast		●	Upper	Upper			Lower		
Auto Recipe™ conversion		Upper	Upper	Upper			●		
SmartSet controls		LCD-Glass touch	Glass touch	●	●	Upper	●	●	
Proof mode		●	Upper				Lower		
Oven meat probe		●	Upper				Lower		
Warm mode		●	Upper				Lower		
Temperature display		●	●	●	●	Upper	Lower	Lower	
Delay bake option		●	●	●	●	Upper	Lower	Lower	
C° and F° programmable		●	●	●	●	Upper	Lower	Lower	
Audible preheat signal		●	●	●	●	Upper	Lower	Lower	
Auto oven shut-off w/override		●	●	●	●	Upper	Lower	Lower	
Electronic clock and kitchen timer		●	●	●	●	●	Lower	●	
Control lock capability		●	●	●	●	Upper	Lower	Lower	
Oven light		2	2	2	2	2	2 (Lower)	2 (Lower)	
Certified Sabbath mode		●	●	●	●	Upper	Lower	Lower	
Flat convection cover		●	●	●			Lower		
QuietBake™ fan system		●	●	●	●	●	Lower	Lower	
Microwave oven features:									
Microwave cooking timer							99-min./99-sec.	99-min./99-sec.	
Microwave power levels							10	10	
Sensor functions							6	3	
Electronic MWO touch controls							●	●	
Microwave oven cavity (cu. ft.)							1.6	1.6	
MWO power output watts							1000	1000	
Turntable							●	●	
Oven racks	Upper Lower	3 heavy-duty 3 heavy-duty	3 heavy-duty 2 heavy-duty	3 heavy-duty 2 heavy-duty	2 heavy-duty 2 heavy-duty	2 heavy-duty 2 heavy-duty	3 heavy-duty	2 heavy-duty	
self-clean oven racks		●	●				●		
Embossed rack positions		7 upper/7 lower	7 upper/7 lower	7 upper/7 lower	7 upper/7 lower	7 upper/7 lower	7 lower	6 lower	
Appearance									
Color appearance*		SS WW BB	SS WW CC BB	SS WW CC BB	SS WW CC BB	SS WW CC BB	SS WW CC BB	SS WW CC BB	
Frameless oven doors		Stainless steel White glass Black glass	Stainless steel White glass Bisque glass Black glass	Stainless steel White glass Bisque glass Black glass	Stainless steel White glass Bisque glass Black glass	Stainless steel White glass Bisque glass Black glass	Stainless steel White glass Bisque glass Black glass	Stainless steel White glass Bisque glass Black glass	
Big ClearView™ windows		●	●	●	●	●	Lower	Lower	
Oven door handles		Sculptured Stainless steel Sculptured white Sculptured black	Sculptured Stainless steel Sculptured white Sculptured bisque Sculptured black	Stainless steel White Bisque Black	Stainless steel White Bisque Black	Stainless steel White Bisque Black	Sculptured Stainless steel Sculptured white Sculptured bisque Sculptured black	Stainless steel White Bisque Black	
Weights & Dimensions									
Approx. shipping wt. (lbs.)		257	256	251	250	250	210	208	
Oven cabinet width required (in.)		30	30	30	30	30	30	30	
Overall dimensions (WxHxD in inches)		29-3/4 x 52-7/8 x 23-1/2	29-3/4 x 52-7/8 x 23-1/2	29-3/4 x 52-7/8 x 23-1/2	29-3/4 x 52-7/8 x 23-1/2	29-3/4 x 52-7/8 x 23-1/2	29-3/4 x 43-1/2 x 23-1/2	29-3/4 x 43-1/2 x 23-1/2	
Overall oven interior dimensions (WxHxD in inches)	Upper Lower	24 x 17-1/2 x 18-1/4 24 x 17-1/2 x 18-1/4	24 x 17-1/2 x 18-1/4 24 x 17-1/2 x 18-1/4	24 x 17-1/2 x 18-1/4 24 x 17-1/2 x 18-1/4	24 x 17-1/2 x 18-1/4 24 x 17-1/2 x 18-1/4	24 x 17-1/2 x 18-1/4 24 x 17-1/2 x 18-1/4	16-1/4 x 9-5/8 x 15-3/4 24 x 17-1/2 x 18-1/4	16-1/4 x 9-5/8 x 15-3/4 24 x 17-1/2 x 18-1/4	
Power/Ratings									
KW rating @	240V 208V	7.2 6.4	7.2 6.4	7.2 6.4	7.2 6.4	8.0 6.4	6.6 5.3	6.6 5.3	
Amps @	240V 208V	40 40	40 40	40 40	40 40	40 40	30 30	30 30	
Convection wattage		2500	2500				2500		
Broiler/bake wattage		2400/2100	2400/2100	2400/2100	2400/2100	2400/2100	3400/2100	3400/2100	

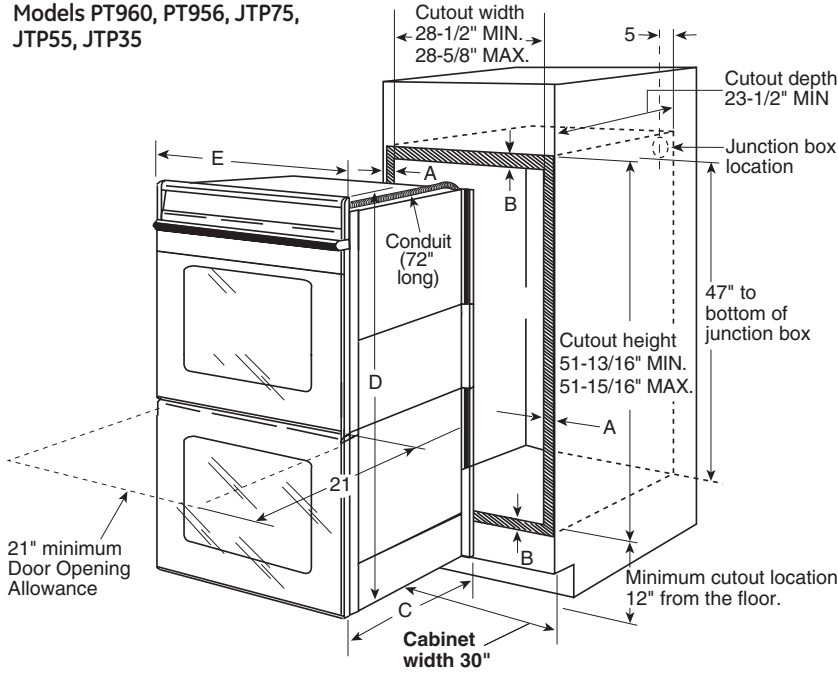
*SS = Stainless steel, WW = White on white, CC = Bisque on bisque, BB = Black on black.



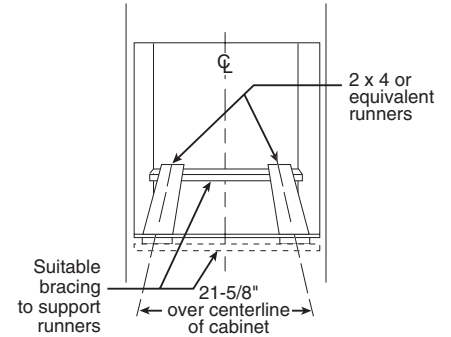
30" built-in double ovens (continued)

30" built-in double oven dimensions (in inches)

Models PT960, PT956, JTP75, JTP55, JTP35



21" minimum Door Opening Allowance



(Must support 325 lbs.)

Cabinet	30"
A - Overlap of oven over side edges of cutout	11/16" - 3/4"
B - Overlap of oven at top and bottom of cutout	1"
Oven	
C - Overall depth*	23-1/2"
D - Overall height with trim	53-3/8"
without trim	52-7/8"
E - Overall width	29-3/4"

*Depth including door handle is approximately 26-6/10" min. to 26-9/10" max.

Note: Cabinets installed adjacent to wall ovens must have an adhesion spec of at least a 194°F temperature rating.

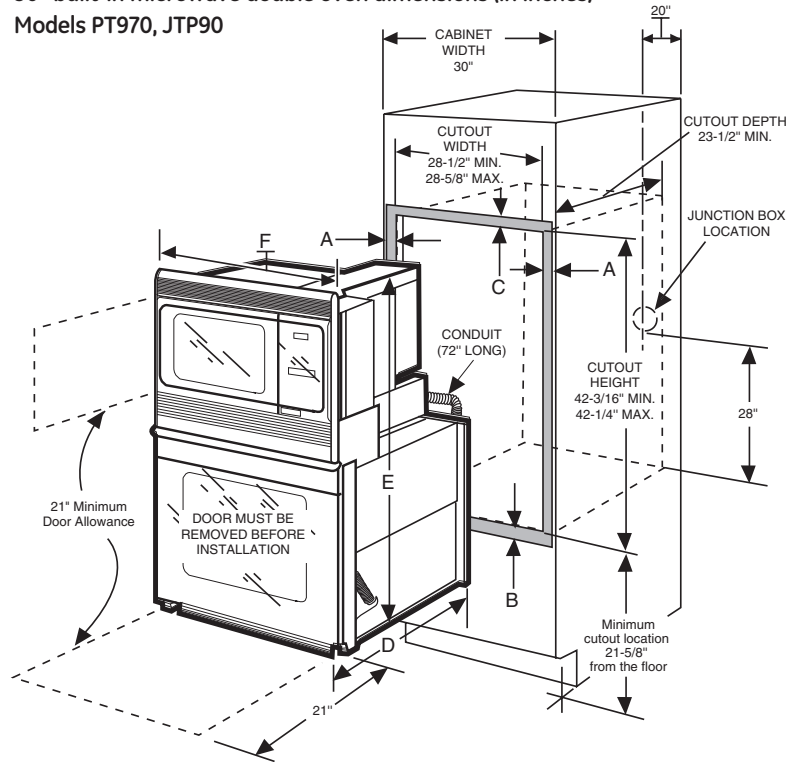
Note: If marks, blemishes or the cutout opening is visible above the installed oven, it may be necessary to add wood shims under the runners and front trim until the marks or openings are covered.

Note: Door handle protrudes 3" from door face. Cabinets and drawers on adjacent 45° and 90° walls should be placed to avoid interference with the handle.

MOST 30" WALL CABINETS CAN BE USED WITH THIS UNIT. THE OPENING BETWEEN THE INSIDE WALLS MUST BE AT LEAST 28-1/2" WIDE.

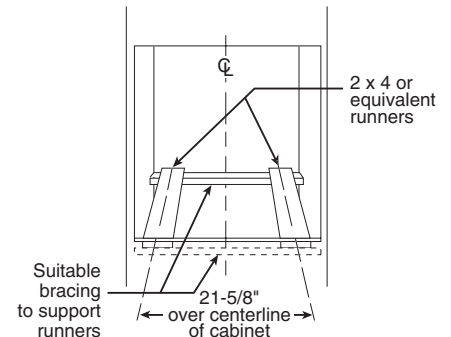
30" built-in microwave double oven dimensions (in inches)

Models PT970, JTP90



21" Minimum Door Allowance

DOOR MUST BE REMOVED BEFORE INSTALLATION



(Must support 275 lbs.)

Cabinet	30"
A - Overlap of oven over side edges of cutout	11/16"
B - Overlap of oven at bottom of cutout	1"
C - Overlap of oven at top of cutout	1/2"
Oven	
D - Overall depth*	23-1/2"
E - Overall height with trim	44"
without trim	43-1/2"
F - Overall width	29-3/4"

*Depth including door handle is approximately 26-6/10" min. to 26-9/10" max.

Note: Cabinets installed adjacent to wall ovens must have an adhesion spec of at least a 194°F temperature rating.

Note: If marks, blemishes or the cutout opening is visible above the installed oven, it may be necessary to add wood shims under the runners and front trim until the marks or openings are covered.

Note: Door handle protrudes 3" from door face. Cabinets and drawers on adjacent 45° and 90° walls should be placed to avoid interference with the handle.

MOST 30" WALL CABINETS CAN BE USED WITH THIS UNIT. THE OPENING BETWEEN THE INSIDE WALLS MUST BE AT LEAST 28-1/2" WIDE.

Electric wall ovens are not approved for installation with a plug and receptacle. They must be hard wired in accordance with installation instructions.

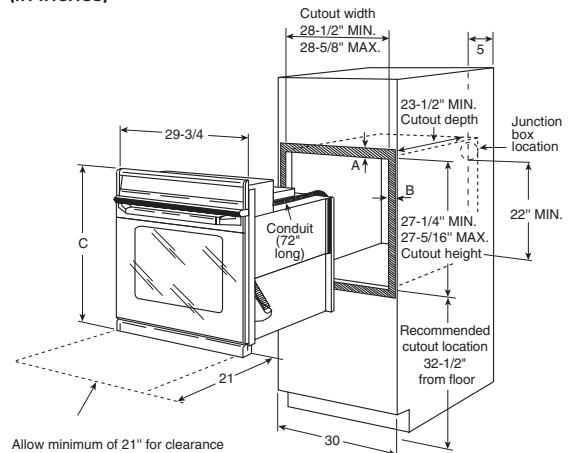
Installation information: Before installing, consult installation instructions packed with product for current dimensional data.

30" built-in single ovens

	GE Profile™		GE®	
	Convection single ovens		Single ovens	
	PT920SM PT920WM PT920BM	PT916SM PT916WM PT916CM PT916BM	JTP70SM JTP70WM JTP70CM JTP70BM	JTP30SM JTP30WM JTP30CM JTP30BM
ADA-compliant	●	●	●	●
Features				
Oven	Convection/ self-clean	Convection/ self-clean	Convection/ self-clean	Self-clean
Cleaning time	Variable	Variable	Variable	Variable
Automatic self-clean oven door lock	●	●	●	●
Self-clean oven with Delay Clean option	●	●	●	●
Light self-clean option	●	●	●	●
TrueTemp™ system	●	●	●	●
Hidden bake oven interior	●	●	●	●
Variable broil/Six-pass broil element	●	●	●	●
Eight-pass bake element	●	●	●	●
PreciseAir™ convection system	●	●	●	●
Convection bake	Multi-/single-rack	Multi-/single-rack	●	●
Convection roast	●	●	●	●
Auto Recipe™ conversion	●	●	●	●
SmartSet controls	LCD-Glass touch	Glass touch	●	●
Proof mode	●	●		
Warm mode	●	●		
Oven meat probe	●	●		
Temperature display	●	●	●	●
Delay bake option	●	●	●	●
C° and F° programmable	●	●	●	●
Audible preheat signal	●	●	●	●
Auto oven shut-off w/override	●	●	●	●
Electronic clock and kitchen timer	●	●	●	●
Control lock capability	●	●	●	●
Oven light	2	2	2	2
Certified Sabbath mode	●	●	●	●
Flat convection cover	●	●	●	●
QuietBake™ fan system	●	●	●	●
Oven racks	3 heavy-duty	3 heavy-duty	3 heavy-duty	2 heavy-duty
Embossed rack positions	7	7	7	7
Appearance				
Color appearance*	SS WW BB	SS WW CC BB	SS WW CC BB	SS WW CC BB
Frameless oven door	Stainless steel White glass Black glass	Stainless steel White glass Bisque glass Black glass	Stainless steel White glass Bisque glass Black glass	Stainless steel White glass Bisque glass Black glass
Big ClearView™ window	●	●	●	●
Oven door handle	Sculptured stainless steel Sculptured white Sculptured black	Sculptured stainless steel Sculptured white Sculptured bisque Sculptured black	Stainless steel White Bisque Black	Stainless steel White Bisque Black
Undercounter installation	●	●	●	●
Weights & Dimensions				
Approx. shipping wt. (lbs.)	140	140	127	122
Oven cabinet width required (in.)	30	30	30	30
Overall dimensions (WxHxD in inches)	29-3/4 x 28-1/4 x 23-1/2	29-3/4 x 28-1/4 x 23-1/2	29-3/4 x 28-1/4 x 23-1/2	29-3/4 x 28-1/4 x 23-1/2
Overall oven interior dimensions (WxHxD in inches)	24 x 17-1/2 x 18-1/4	24 x 17-1/2 x 18-1/4	24 x 17-1/2 x 18-1/4	24 x 17-1/2 x 18-1/4
Power/Ratings				
KW rating @	240V	3.6	3.6	3.4
	208V	2.7	2.7	2.6
Amps @	240V	20	20	20
	208V	20	20	20
Convection wattage	2500	2500	2500	2500
Broiler/bake wattage	2400/2100	2400/2100	2400/2100	2400/2100

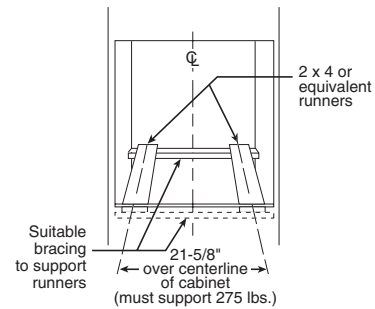
*SS = Stainless steel, WW = White on white, CC = Bisque on bisque, BB = Black on black.

30" built-in single oven dimensions (in inches) Single oven wall-mount or cabinet installation (in inches)



Allow minimum of 21" for clearance to adjacent corners, drawers, walls, or etc.

A=Allow 1" overlap of oven over top and bottom edges of cutout.
B=Allow 1 1/16"-3/4" for overlap of oven over side edges of cutout.
C=28-1/4" without trim and 28-3/4" with trim.



(Must support 275 lbs.)

Most 30" wall cabinets can be used with this unit.

Note: Cabinets installed adjacent to wall ovens must have an adhesion spec of at least a 194°F temperature rating.

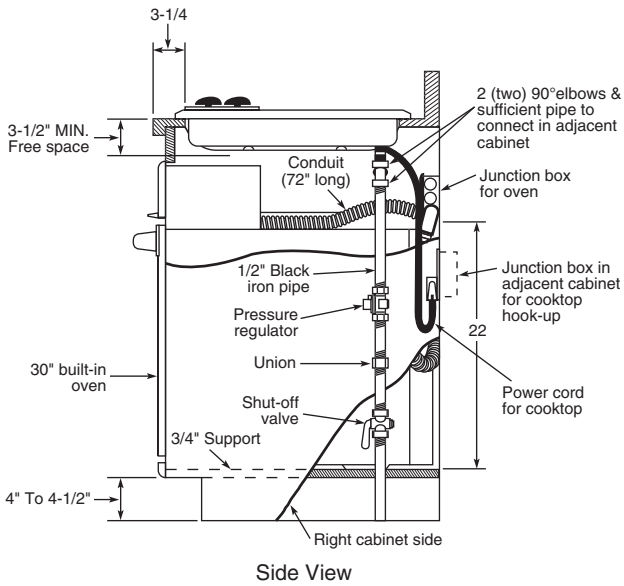
Note: Door handle protrudes 3" from door face. Cabinets and drawers on adjacent 45° and 90° walls should be placed to avoid interference with the handle.



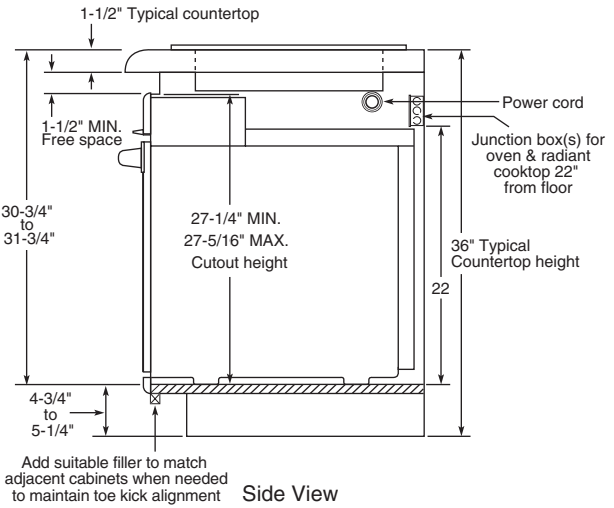
Listed by
Underwriters
Laboratories

30" built-in single ovens (continued)

Optional undercounter installation dimensions (in inches)
with gas cooktop
Models PT920, PT916, JTP70, JTP30

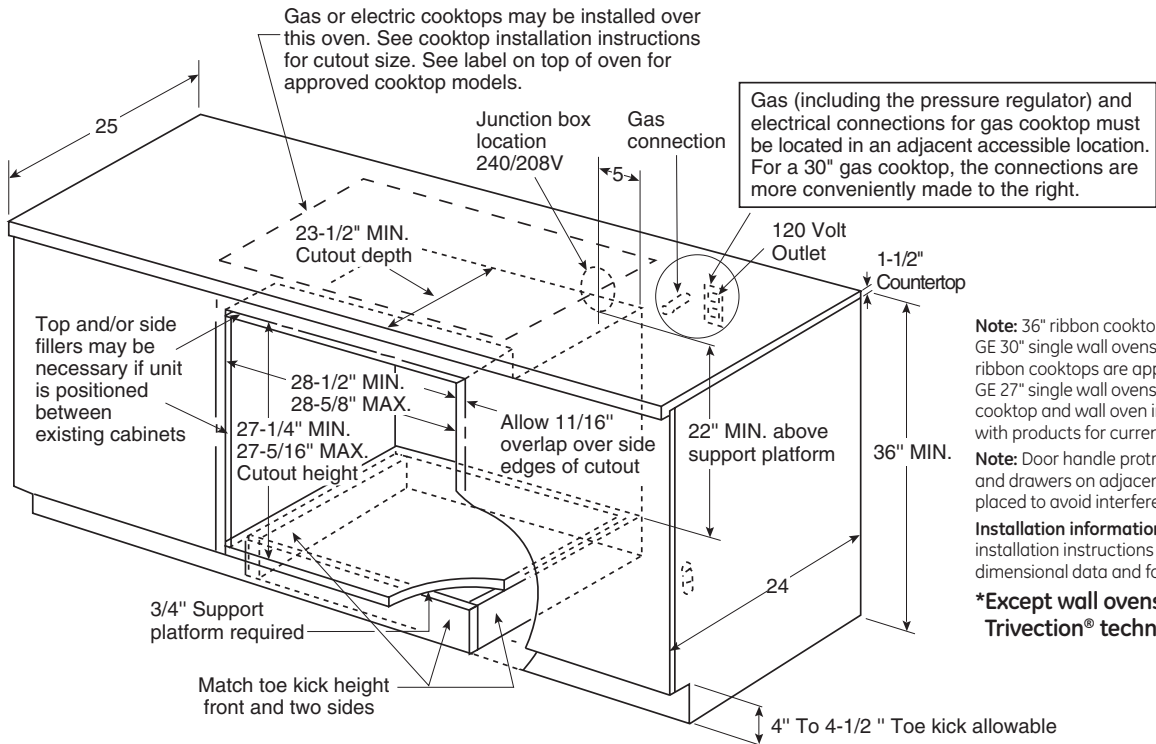


Optional undercounter installation dimensions (in inches)
with electric cooktop
Models PT920, PT916, JTP70, JTP30



Note: For this installation, the bottom trim **will not** be flush with a typical 4" toe kick.
Note: Cabinets installed adjacent to wall ovens must have an adhesion spec of at least a 194°F temperature rating.

Undercounter installation dimensions (in inches)
Models PT920, PT916, JTP70, JTP30



Note: 36" ribbon cooktops are approved for use over GE 30" single wall ovens* and warming drawers. 30" ribbon cooktops are approved for use over GE 30" and GE 27" single wall ovens* and warming drawers. Refer to cooktop and wall oven installation information packed with products for current dimensional data.
Note: Door handle protrudes 3" from door face. Cabinets and drawers on adjacent 45° and 90° walls should be placed to avoid interference with the handle.
Installation information: Before installing, consult installation instructions packed with product for current dimensional data and for alternate installation options.
***Except wall ovens with Trivection® technology**

Electric wall ovens are not approved for installation with a plug and receptacle. They must be hard wired in accordance with installation instructions.

Installation information: Before installing, consult installation instructions packed with product for current dimensional data.

27" built-in double ovens

		GE Profile™		GE®							
		27" convection double ovens		27" double ovens			27" microwave double oven				
		PK956SM PK956WM PK956CM PK956BM		JKP75SM JKP75WM JKP75BM		JKP55SM JKP55WM JKP55CM JKP55BM		JKP35SM JKP35WM JKP35BM		JKP90SM JKP90WM JKP90CM JKP90BM	
Features											
Oven	Upper Lower	Convection/self-clean Self-clean		Convection/self-clean Self-clean		Self-clean Self-clean		Self-clean Standard		Microwave Self-clean	
Cleaning time		Variable		Variable		Variable		Variable (upper)		Variable (lower)	
Automatic self-clean oven door lock		●		●		●		Upper		Lower	
Self-clean oven w/Delay Clean option		●		●		●		Upper		Lower	
Light self-clean option		●		●		●		Upper		Lower	
TrueTemp™ system		●		●		●		Upper		Lower	
Hidden bake oven interior		●		●		●		●		Lower	
Variable broil/Four-pass broil		●		●		●		●		Lower	
Eight-pass bake element		●		●		●		●		Lower	
PreciseAir™ convection system		Upper		Upper							
Multi-rack convection bake		Upper		Upper							
Single-rack convection bake		Upper									
Convection roast		Upper		Upper							
Auto Recipe™ conversion		Upper		Upper							
SmartSet Controls		Glass touch		●		●		Upper		Lower	
Proof mode		●									
Warm mode		●									
Oven meat probe		Upper									
Temperature display		●		●		●		Upper		Lower	
Delay Bake Option		●		●		●		Upper		Lower	
C° and F° programmable		●		●		●		Upper		Lower	
Audible preheat signal		●		●		●		Upper		Lower	
Auto oven shut-off w/override		●		●		●		Upper		Lower	
Electronic clock and kitchen timer		●		●		●		●		●	
Control lock capability		●		●		●		Upper		Lower	
Oven light		●		●		●		●		Lower	
Certified Sabbath mode		●		●		●		Upper		Lower	
Flat convection cover		●		●							
QuietBake™ fan system		●		●		●		●		●	
Microwave oven features:											
Microwave cooking timer										99-min./99-sec.	
Microwave power levels										10	
Sensor functions										3	
Electronic MWO touch controls										●	
Microwave oven cavity (cu. ft.)										1.6	
MWO power output watts										1000	
Turntable										●	
Oven racks	Upper Lower	3 heavy-duty 2 heavy-duty		3 heavy-duty 2 heavy-duty		2 heavy-duty 2 heavy-duty		2 heavy-duty 2 heavy-duty		2 heavy-duty	
Self-clean oven racks		●									
Embossed rack positions		7 upper/7 lower		7 upper/7 lower		7 upper/7 lower		7 upper/7 lower		7 lower	
Appearance											
Color appearance*		SS WW CC BB		SS WW CC BB		SS WW CC BB		SS WW CC BB		SS WW CC BB	
	Frameless oven doors	Stainless steel White glass Bisque glass Black glass		Stainless steel White glass Black glass		Stainless steel White glass Bisque glass Black glass		Stainless steel White glass Black glass		Stainless steel White glass Bisque glass Black glass	
	Big ClearView™ window	●		●		●		●		Lower	
	Oven door handles	Sculptured stainless steel Sculptured white Sculptured bisque Sculptured black		Stainless steel White Black		Stainless steel White Bisque Black		Stainless steel White Black		Stainless steel White Bisque Black	
Weights & Dimensions											
Approx. shipping wt. (lbs.)		235		206		203		187		186	
Oven cabinet width required (in.)		27		27		27		27		27	
Overall dimensions (WxHxD in inches)		26-5/8 x 51 x 23-5/8		26-5/8 x 51 x 23-5/8		26-5/8 x 51 x 23-5/8		26-5/8 x 51 x 23-5/8		26-5/8 x 51 x 23-5/8	
Overall oven interior dimensions (WxHxD in inches)	Upper Lower	21-1/2 x 17 x 18-1/4 21-1/2 x 17 x 18-1/4		21-1/2 x 17 x 18-1/4 21-1/2 x 17 x 18-1/4		21-1/2 x 17 x 18-1/4 21-1/2 x 17 x 18-1/4		21-1/2 x 17 x 18-1/4 21-1/2 x 17 x 18-1/4		16 x 11-1/8 x 13-3/8 21-1/2 x 17 x 18-1/4	
Power/Ratings											
KW rating @	240V	6.8		6.8		6.8		7.1		6.4	
	208V	5.1		5.1		5.1		5.3		5.1	
Amps @	240V	30		30		30		30		30	
	208V	30		30		30		30		30	
Convection wattage		2500		2500							
Broiler/bake wattage		3400/2100		3400/2100		3400/2100		3400/2100		3400/2100	

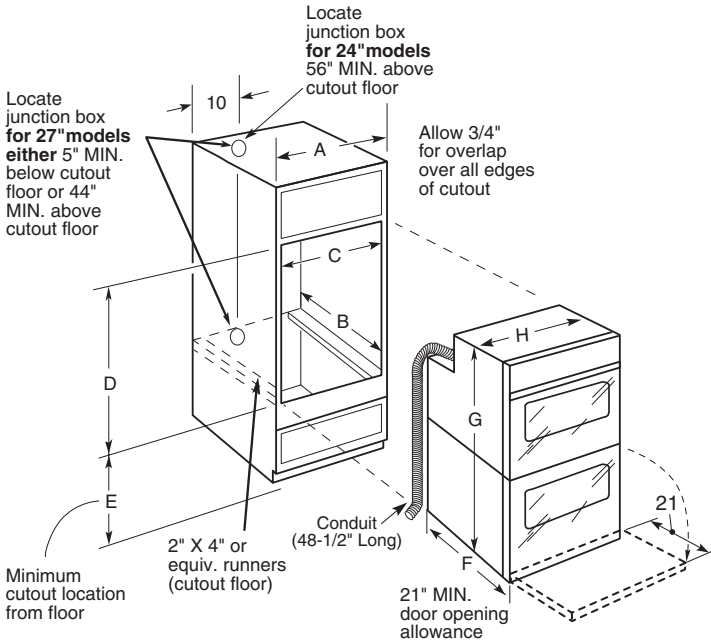
*SS = Stainless steel, WW = White on white, CC = Bisque on bisque, BB = Black on black.



Listed by
Underwriters
Laboratories

27" built-in double ovens (continued)

27" built-in double oven dimensions (in inches) 27" models PK956, JKP75, JKP55, JKP35



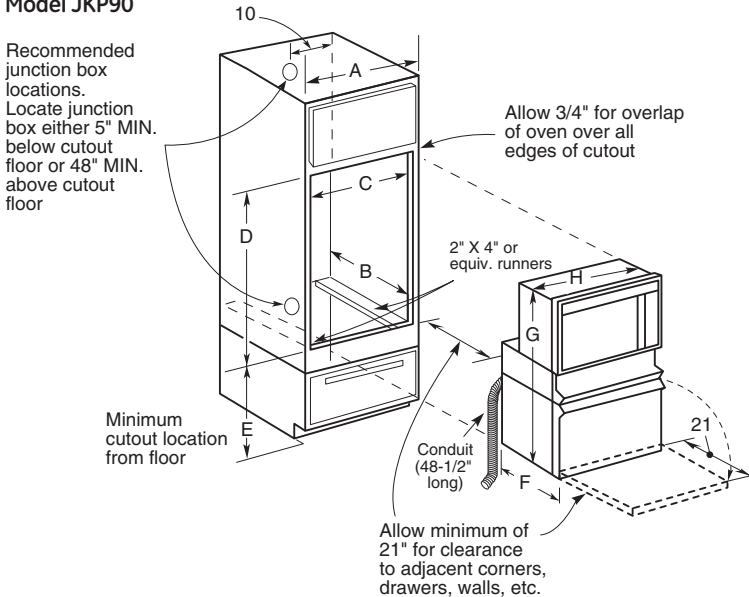
Note: Cabinets installed adjacent to wall ovens must have an adhesion spec of at least a 194°F temperature rating.

Note: If marks, blemishes or the cutout opening is visible above the installed oven, it may be necessary to add wood shims under the runners and front trim until the marks or openings are covered.

Note: Door handle protrudes 3" from door face. Cabinets and drawers on adjacent 45° and 90° walls should be placed to avoid interference with the handle.

27" built-in microwave double oven dimensions (in inches)

Model JKP90



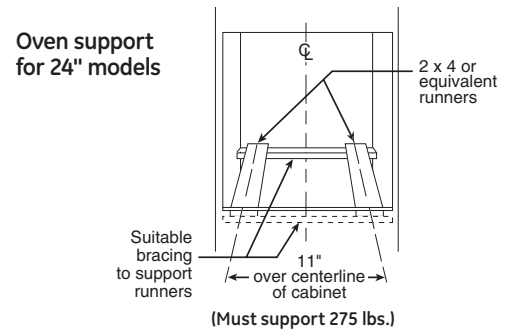
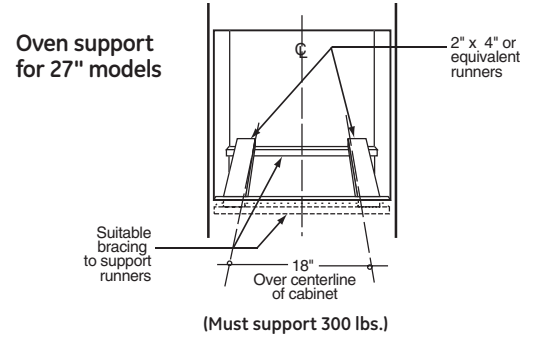
Note: Door handle protrudes 3" from door face. Cabinets and drawers on adjacent 45° and 90° walls should be placed to avoid interference with the handle.

Note: Cabinets installed adjacent to wall ovens must have an adhesion spec of at least a 194°F temperature rating.

Note: If marks, blemishes or the cutout opening is visible above the installed oven, it may be necessary to add wood shims under the runners and front trim until the marks or openings are covered.

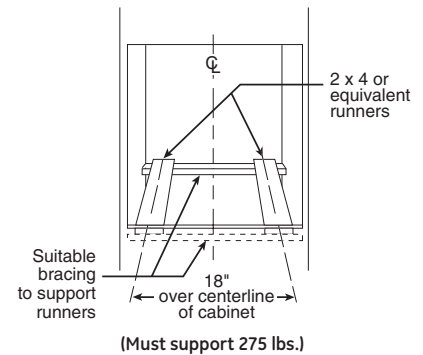
Electric wall ovens are not approved for installation with a plug and receptacle. They must be hard wired in accordance with installation instructions.

Installation information: Before installing, consult installation instructions packed with product for current dimensional data.



Cabinet	JKP956/JKP75/55/35
A - Cabinet width required	27" min.
B - Minimum cabinet depth	23-5/8"
C - Opening width	25" min. - 25-1/4" max.
D - Opening height	50-1/8" max.
E - Recommended minimum cutout location from floor	13-1/4"
Oven	
F - Overall depth*	23-5/8"
	w/o trim 51"
G - Overall height with trim	51-7/8" - 52-3/4"
H - Overall width	26-5/8"

*Depth including door handle is approximately 26-7/10" min. to 26-8/10" max. on models PK956, JKP75/55/35.



Cabinet	27"
A - Cabinet width required	27" min.
B - Minimum cabinet depth	23-5/8"
C - Opening width	25" min. - 25-1/4" max.
D - Opening height	41-1/4" max.
E - Minimum cutout location from floor	22"
Oven	
F - Overall depth*	23-5/8"
	w/o trim 42-1/8"
G - Overall height with trim	43" - 43-7/8"
H - Overall width	26-5/8"

*Depth including door handle is approximately 26-7/10" min. to 26-8/10" max.

27" built-in single ovens

	GE Profile™	GE®		
	27" convection single ovens	27" single ovens		
	PK916SM PK916WM PK916CM PK916BM	JKP70SM JKP70WM JKP70BM	JKP30SM JKP30WM JKP30CM JKP30BM	JKS10BM
ADA-compliant	●	●	●	●
Features				
Oven	Convection/self-clean	Convection/self-clean	Self-clean	Standard-clean
Cleaning time	Variable	Variable	Variable	
Automatic self-clean oven door lock	●	●	●	
Self-clean oven w/Delay Clean option	●	●	●	
Light self-clean option	●	●	●	
TrueTemp™ system	●	●	●	●
Hidden bake oven interior	●	●	●	●
Variable broil/Four-pass broil	●	●	●	●
Eight-pass bake element	●	●	●	●
PreciseAir™ convection system	●	●		
Multi-rack convection bake	●	●		
Single-rack convection bake	●			
Convection roast	●	●		
Auto Recipe™ conversion	●	●		
SmartSet controls	Glass touch	●	●	●
Proof mode	●			
Warm mode	●			
Oven meat probe	●			
Temperature display	●	●	●	●
Delay bake option	●	●	●	●
C° and F° programmable	●	●	●	●
Audible preheat signal	●	●	●	●
Auto oven shut-off w/override	●	●	●	●
Electronic clock and kitchen timer	●	●	●	●
Control lock capability	●	●	●	●
Oven light	●	●	●	●
Certified Sabbath mode	●	●	●	●
Flat convection cover	●	●		
QuietBake™ fan system	●	●	●	●
Oven racks	3 heavy-duty	3 heavy-duty	2 heavy-duty	2 heavy-duty
Self-clean oven racks	●			
Embossed rack positions	7	7	7	7
Appearance				
Color appearance*	SS WW CC BB	SS WW BB	SS WW CC BB	BB
Frameless oven door	Stainless steel White glass Bisque glass Black glass	Stainless steel White glass Black glass	Stainless steel White glass Bisque glass Black glass	Black glass
Big ClearView™ window	●	●	●	●
Oven door handle	Sculptured stainless steel Sculptured white Sculptured bisque Sculptured black	Stainless steel White Black	Stainless steel White Bisque Black	Black
Undercounter installation	●	●	●	●
Weights & Dimensions				
Approx. shipping wt. (lbs.)	120	125	120	97
Oven cabinet width required (in.)	27	27	27	27
Overall dimensions (WxHxD in inches)	26-5/8 x 29 x 23-5/8	26-5/8 x 29 x 23-5/8	26-5/8 x 29 x 23-5/8	26-5/8 x 29 x 23-5/8
Overall oven interior dimensions (WxHxD in inches)	21-1/2 x 17 x 18-1/4	21-1/2 x 17 x 18-1/4	21-1/2 x 17 x 18-1/4	21-1/2 x 17 x 18-1/4
Power/Ratings				
KW rating @	240V	3.4	3.4	3.4
	208V	2.6	2.6	2.6
Amps @	240V	20	20	20
	208V	20	20	20
Convection wattage	2500	2500		
Broiler/bake wattage	3400/2100	3400/2100	3400/2100	3400/2100

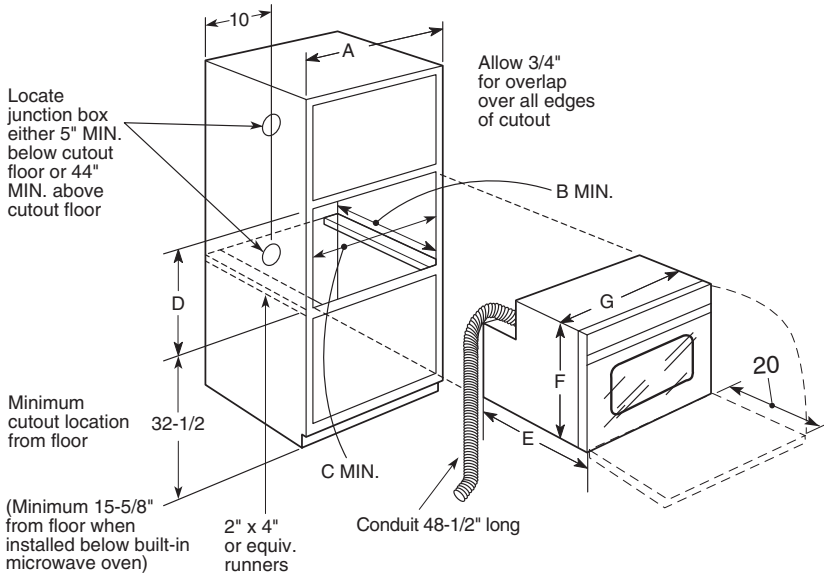
*SS = Stainless steel, WW = White on white, CC = Bisque on bisque, BB = Black on black.



27" built-in single ovens (continued)

27"/24" built-in single oven dimensions (in inches)

27" models PK916, JKP70, JKP30, JKS10



Note: These ovens are not approved for stackable or side-by-side installations.

Note: Door handle protrudes 3" from door face. Cabinets and drawers on adjacent 45° and 90° walls should be placed to avoid interference with the handle.

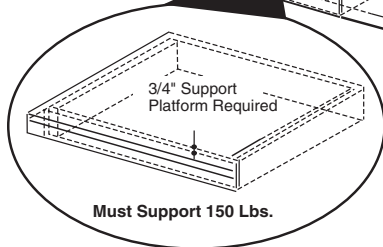
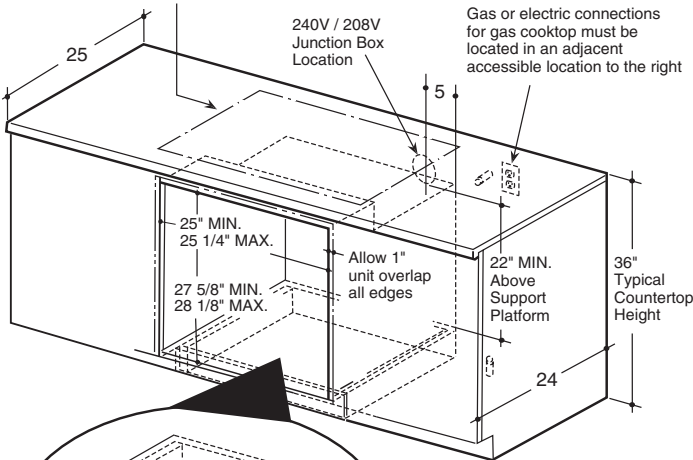
Note: Cabinets installed adjacent to wall ovens must have an adhesion spec of at least a 194°F temperature rating.

Note: For 27" built-in single ovens, if marks, blemishes or the cutout opening is visible above the installed oven, it may be necessary to add wood shims under the runners and front trim until the marks or openings are covered.

Undercounter installation dimensions (in inches)

Models PK916, JKP70, JKP30 and JKS10

Gas or electric cooktops may be installed over this oven. See cooktop installation instructions for cutout size. See label on top of oven for approved cooktop models.



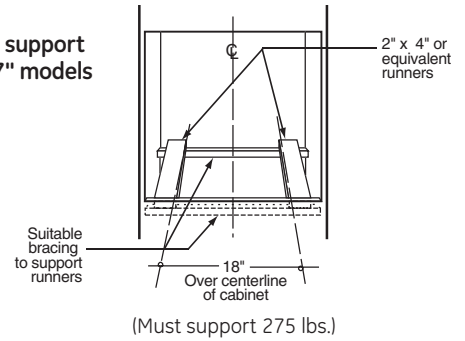
Note: 36" ribbon cooktops are approved for use over GE 30" single wall ovens* and warming drawers. 30" ribbon cooktops are approved for use over GE 30" and GE 27" single wall ovens* and warming drawers. Refer to cooktop and wall oven installation information packed with products for current dimensional data.
*Except wall ovens with Trivection® technology.

Electric wall ovens are not approved for installation with a plug and receptacle. They must be hard wired in accordance with installation instructions.

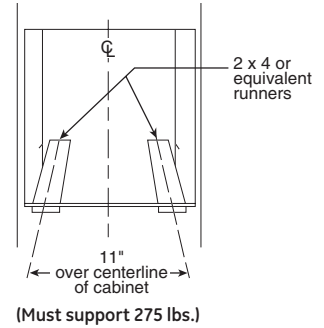
Note: Oven is rated for use only under 30" standard or sealed burner gas and selected 30" CleanDesign and Calrod® electric cooktops.

Installation information: Before installing, consult installation instructions packed with product for current dimensional data.

Oven support for 27" models



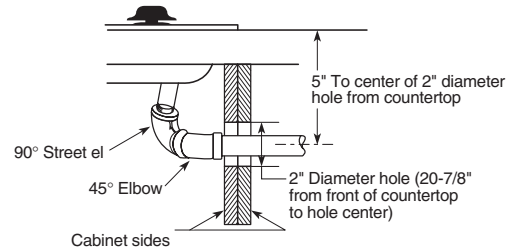
Oven support for 24" models



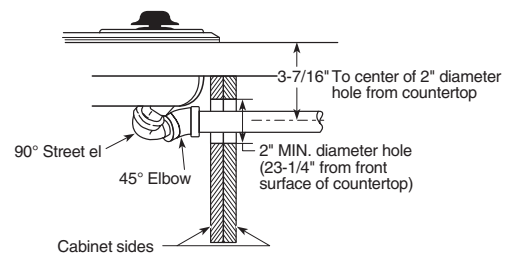
Cabinet	PK916, JKP70/30, JKS10
A - Cabinet width required	27" min.
B - Minimum cabinet depth	23-5/8"
C - Opening width	25" min. - 25-1/4" max.
D - Opening height	27-5/8" min. - 28-1/8" max.
Oven	
E - Overall depth*	23-5/8"
	w/o trim 29"
F - Overall height with trim	29-7/8" - 30-3/4"
G - Overall width	26-5/8"

*Depth including door handle is approximately 26-7/8" min to 26-8/10" max. 26-5/8" on models PK916, JKP70/30 and JKS10.

Sealed burner gas cooktop installation dimensions (in inches)



Standard burner gas cooktop installation dimensions (in inches)



Note: Cabinets installed adjacent to wall ovens must have an adhesion spec of at least a 194°F temperature rating.

Free Manuals Download Website

<http://myh66.com>

<http://usermanuals.us>

<http://www.somanuals.com>

<http://www.4manuals.cc>

<http://www.manual-lib.com>

<http://www.404manual.com>

<http://www.luxmanual.com>

<http://aubethermostatmanual.com>

Golf course search by state

<http://golfingnear.com>

Email search by domain

<http://emailbydomain.com>

Auto manuals search

<http://auto.somanuals.com>

TV manuals search

<http://tv.somanuals.com>