

PT925SN

GE Profile™ 30" Built-In Single/Double Convection Wall Oven

Dimensions and Installation Information (in inches)

KW Rating	
240V	3.9
208V	2.9
Breaker Size	
240V	20 Amps
208V	20 Amps

Most 30" Wall Cabinets can be used with this unit.

Note: These ovens are not approved for stackable installations. Cabinets installed adjacent to wall ovens must have an adhesion spec of at least a 194°F temperature rating.

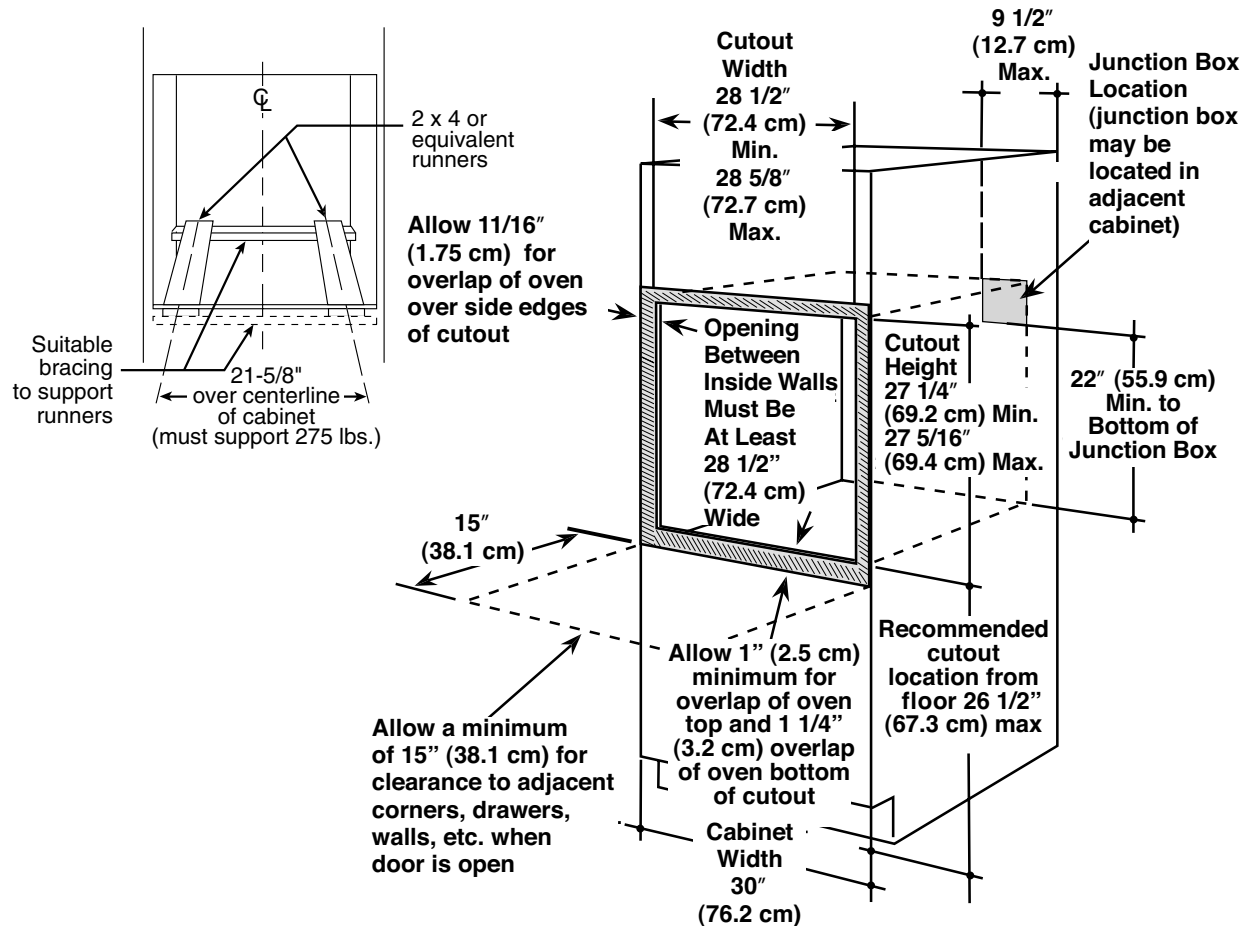
Door handle protrudes 3" from door face. Cabinets and drawers on adjacent 45° and 90° walls should be placed to avoid interference with the handle.

Electric wall ovens are not approved for installation with a plug and receptacle. They must be hard wired in accordance with installation instructions.

Installation Information: Before installing, consult installation instructions packed with product for current dimensional data.

Side-by-side installations require at least 2" between cutouts.

For answers to your Monogram®, GE Profile™ or GE® appliance questions, visit our website at ge.com or call GE Answer Center® service, 800.626.2000.



Dimension and installation information are shown in inches.



imagination at work



Specification Revised 4/09

220245

PT925SN

GE Profile™ 30" Built-In Single/Double Convection Wall Oven

Optional Undercounter Dimensions and Installation Information

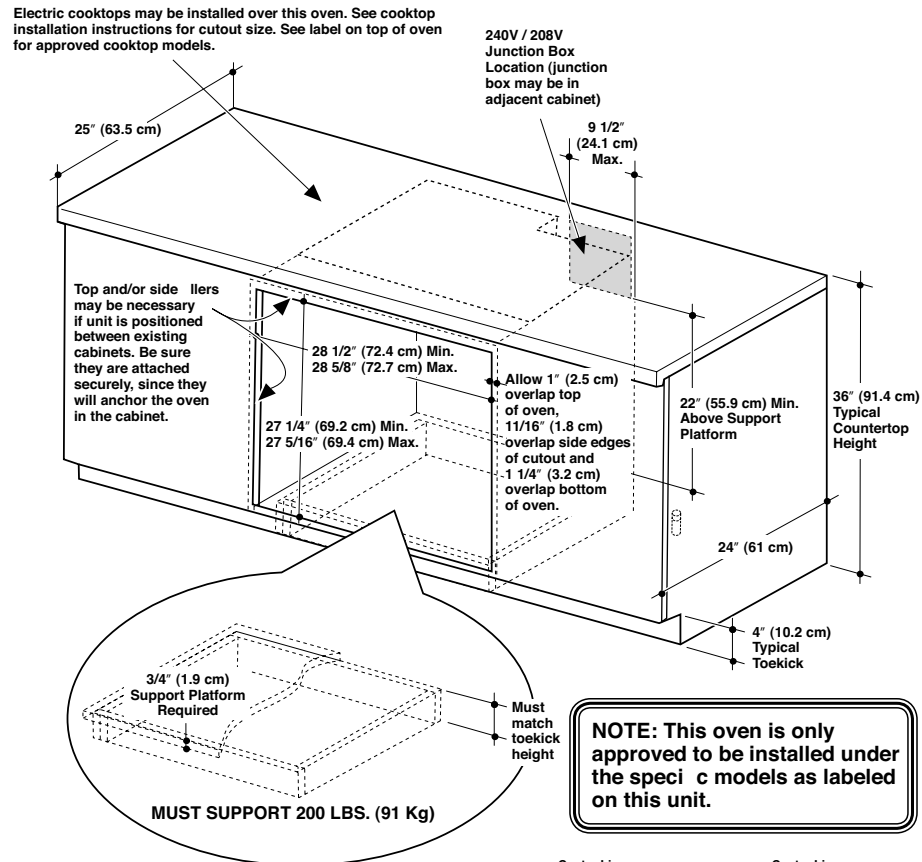
Note: Specific 30" and 36" radiant cooktops with knob controls are approved for use over the GE Profile single/double PT925: JP346, JP356, PP912, PP932, PP942, JP655, PP963, PP972 and ZEU36K. Refer to cooktop and wall oven installation information packed with products for current dimensional data.

Note: Gas cooktops are not approved for use over the GE Profile single/double PT925. The gas cooktops are too deep to fit above the new wall oven.

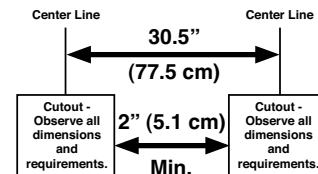
Note: Cabinets installed adjacent to wall ovens must have an adhesion spec of at least a 194°F temperature rating.

Note: 30" and 36" Induction cooktops with knob-free electronic controls are approved for use over the GE Profile single/double PT925: PHP900, PHP960, ZHU30 and ZHU36.

Installation Information: Before installing, consult installation instructions packed with product for current dimensional data.



For answers to your Monogram®, GE Profile™ or GE® appliance questions, visit our website at ge.com or call GE Answer Center® service, 800.626.2000.



imagination at work



Listed by Underwriters Laboratories



Specification Revised 4/09

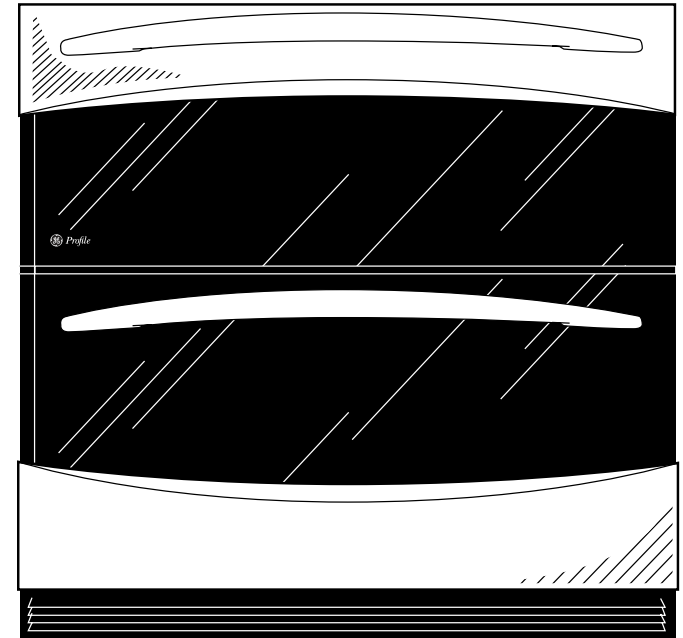
220245

PT925SN

GE Profile™ 30" Built-In Single/Double Convection Wall Oven

Features and Benefits

- Two Ovens in One Space - Cook two different dishes at two different temperatures at the exact time
- EasyReach Oven - Shorter oven doors allow simple access to each oven and take up less space
- Extra-Large 5.0 Cu.Ft. Oven Capacity - Provides an extra-large oven interior ideal for cooking more items at once
- Self-Clean Oven - Conveniently cleans the oven cavity without the need for scrubbing
- PreciseAir™ Convection System - Delivers even air and heat circulation for superior baking and roasting results
- In-The-Door ShadowTouch Controls - Electronic touch controls are located under glass inside the upper oven door
- Pizza Mode - Provides ideal cooking conditions for preparing fresh or frozen pizzas at the touch of a button
- Slow Cook - Offers four slow cook options-pork, poultry, beef and stew-to deliver ideal conditions for specific meals
- Self-Clean Heavy-Duty Oven Racks - Double coated porcelain-enameled racks no longer require hand cleaning
- Model PT925SNSS – Stainless steel



Specification Revised 4/09

220245

Free Manuals Download Website

<http://myh66.com>

<http://usermanuals.us>

<http://www.somanuals.com>

<http://www.4manuals.cc>

<http://www.manual-lib.com>

<http://www.404manual.com>

<http://www.luxmanual.com>

<http://aubethermostatmanual.com>

Golf course search by state

<http://golfingnear.com>

Email search by domain

<http://emailbydomain.com>

Auto manuals search

<http://auto.somanuals.com>

TV manuals search

<http://tv.somanuals.com>