

# ZET958SM/BM/WM

## GE Monogram® 30" Built-In Double Oven

### Dimensions and Installation Information (in inches)

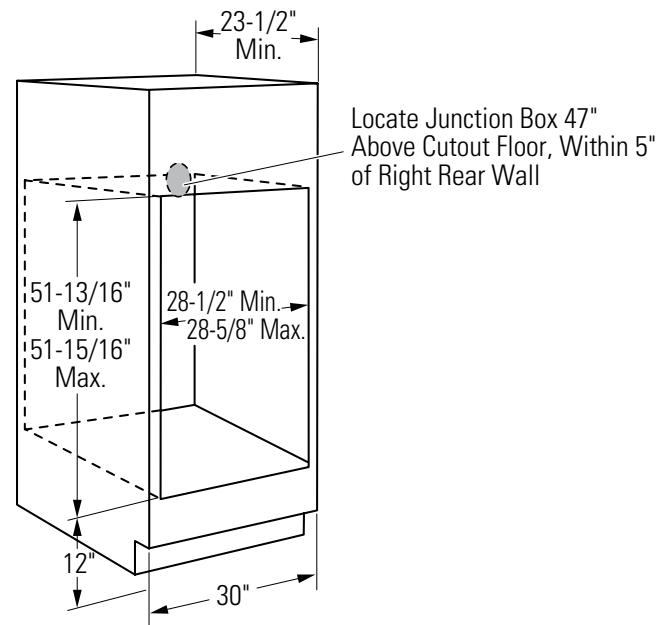
KW Rating	
240V	8.0
208V	6.0
Breaker Size	
240V	40 Amps
208V	40 Amps

#### Installation Flexibility

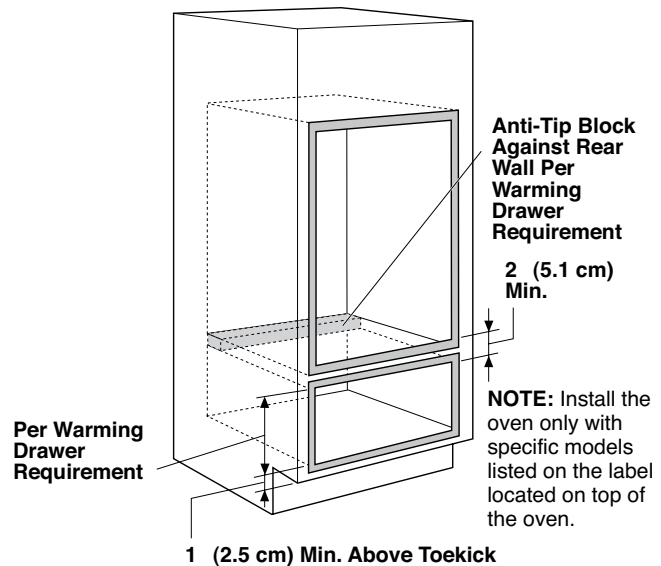
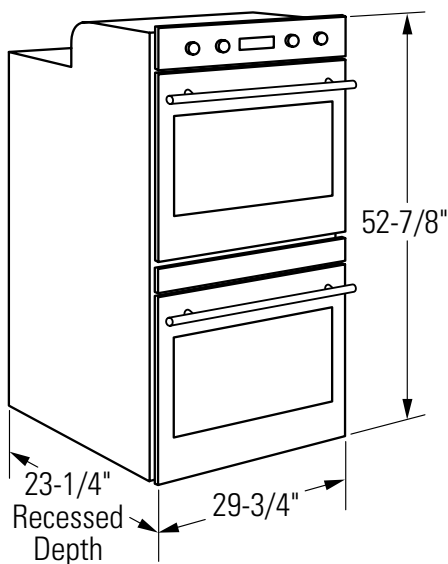
These ovens may be installed in combination with a Monogram warming drawer.

**Note:** Cabinets installed adjacent to wall ovens must have an adhesion spec of at least a 194°F temperature rating.

**Installation Information:** Before installing, consult installation instructions packed with product for current dimensional data.



The solid bottom or runners must be level with the bottom of the cutout, or the bottom trim may not install correctly and could interfere with the door opening. If the cabinet does not have a solid bottom, two braces or runners must be installed level with the bottom of the cutout to support the weight of the oven. The runners and braces must support 300 lbs. (135 kg).



For answers to your Monogram®, GE Profile™ or GE® appliance questions, visit our website at [ge.com](http://ge.com) or call GE Answer Center® service, 800.626.2000.

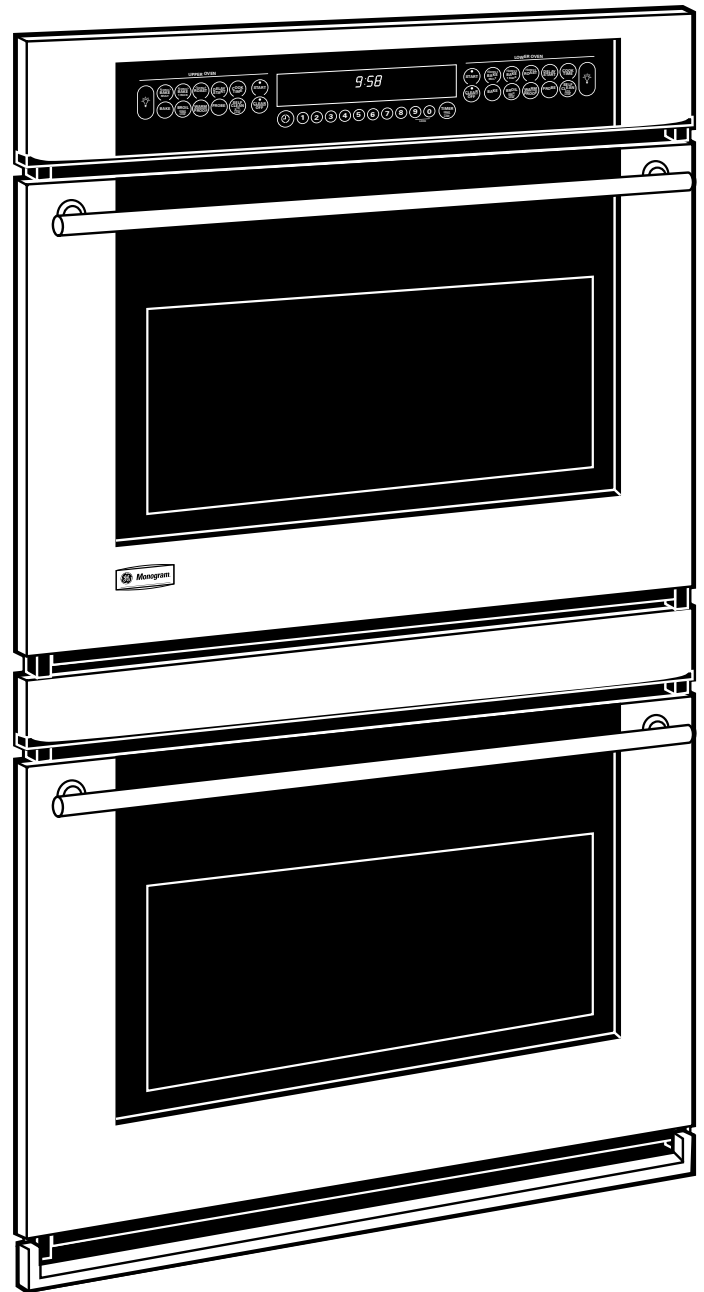


# ZET958SM/BM/WM

## GE Monogram® 30" Built-In Double Oven

### Features and Benefits

- Electronic Glass Touch Controls - A gentle touch allows you to easily select the desired cooking function: convection bake or roast, variable or closed-door broiling, 24-hour delay bake, warm mode or proof mode
- Halogen Light Columns - On the oven walls provide brilliant task lighting for each rack position
- Self-Cleaning Oven Racks - Porcelain-coated racks are designed to be left in the oven during the self-clean cycle for effortless cleaning
- 4.4 Cu. Ft. Capacity (Each Oven) - Easily accommodates even the largest meals
- True Hidden Bake Element - Concealed beneath the oven floor, allowing additional capacity and improved cleanability
- Reverse-Air Convection System - Uses an innovative fan that reverses direction for optimal air and heat circulation, providing even cooking and multi-rack baking capability
- Certified Sabbath Mode - Allows you to keep cooked foods warm on the Jewish Sabbath and Jewish holidays
- Signature Tubular Handles - Are smooth, sleek and easy to grasp
- Hand-Finished Edges - Reflect the meticulous quality and craftsmanship for which Monogram products are renowned
- Large Viewing Window - Allows you to view your culinary work in progress
- Model ZET958SMSS - Stainless steel
- Model ZET958BMBB - Black
- Model ZET958WMWW - White



imagination at work

Specification Revised 5/07

130186

## Free Manuals Download Website

<http://myh66.com>

<http://usermanuals.us>

<http://www.somanuals.com>

<http://www.4manuals.cc>

<http://www.manual-lib.com>

<http://www.404manual.com>

<http://www.luxmanual.com>

<http://aubethermostatmanual.com>

Golf course search by state

<http://golfingnear.com>

Email search by domain

<http://emailbydomain.com>

Auto manuals search

<http://auto.somanuals.com>

TV manuals search

<http://tv.somanuals.com>