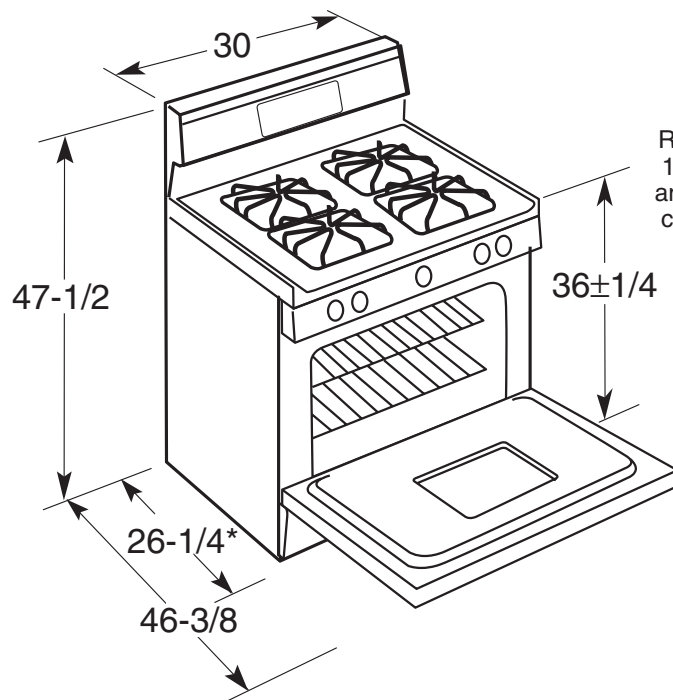




GE Appliances

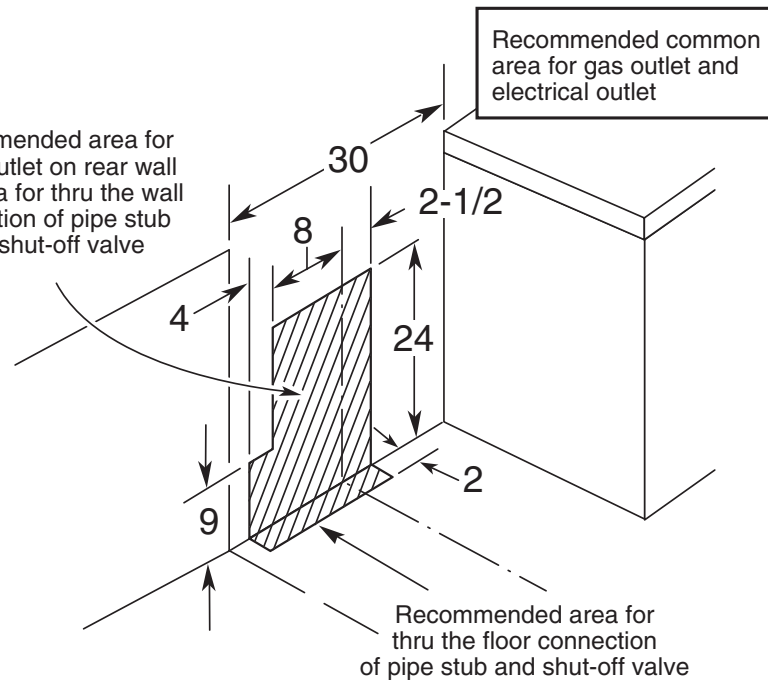
JGBP85SEJ – GE® 30" Free-Standing Self-Clean Gas Range

Installation Information Dimensions (in inches)



*Dimension from wall to front of closed door is 29". Depth to front edge of cooktop is 25-1/4".

Recommended area for 120V outlet on rear wall and area for thru the wall connection of pipe stub and shut-off valve



Recommended area for thru the floor connection of pipe stub and shut-off valve

Optional Gas Range Accessory Drip Pans for Sealed and Standard Burner Models

(Available at additional cost)
To order these accessory drip pans, call toll-free 800-626-2002.

Gas Self-Clean Range Anti-Tip Bracket (Part No. 205C1714P001)

Electrical Rating: 120V, 60Hz, 5A

Installation Information: Before installing, consult installation instructions packed with product for current dimensional data.



All GE ranges are equipped with an Anti-Tip device. The installation of this device is an important, required step in the installation of the range.

For answers to your Monogram®, GE Profile™ or GE® appliance questions, visit our website at GEAppliances.com or call GE Answer Center® service, 800.626.2000.

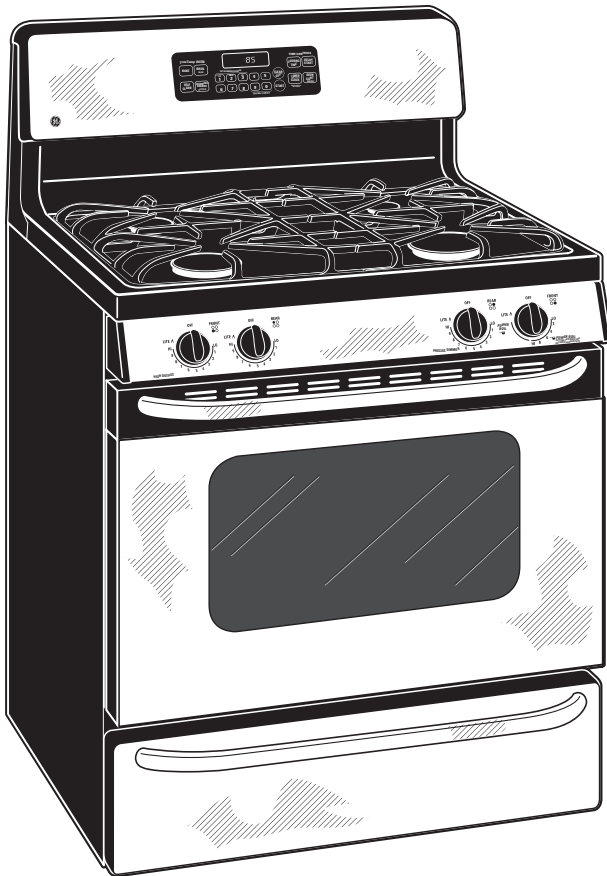
Specification Created 6/04

330420



GE Appliances

JGBP85SEJ – GE® 30" Free-Standing Self-Clean Gas Range



Features and Benefits

- Self clean oven – Conveniently cleans the oven cavity without the need of scrubbing
- Extra-large oven capacity – Provides a large oven interior ideal for cooking more items at once
- Deep recessed cooktop – Designed with a recessed surface to help contain spills and make cleaning easy
- QuickSet V oven controls – Feature an easy to use design that allows you to set precise cooking temperatures
- 15K Power boil burner – Provides 15,000 BTUs of forceful heat for rapid boiling
- Precise simmer burner – Offers a low setting of 600 BTUs, ensuring more temperature control for simmering
- Continuous grates – Interlocking grates provide a flat, sturdy surface allowing easy movement of pans between burners
- Warming drawer – Convenient drawer keeps breads, desserts, or just-cooked foods warm and ready-to-serve
- Sealed cooktop burners – Eliminates the space between the burners and the cooktop to help contain spills and boil over liquids, ensuring easy cleanup
- TrueTemp™ system – Delivers even heat distribution and maximum oven control
- Frameless glass oven door – Offers an easy-to-clean and stylish design that blends seamlessly into existing cabinetry
- Big ClearView™ window – An extra large clear window makes monitoring the progress of food
- Model JGBP85SEJSS – Stainless steel with black accents
- Model JGBP85WEJWW – White on white (white door and white cooktop)
- Model JGBP85CEJCC – Bisque on bisque (bisque door and bisque cooktop)
- Model JGBP85BEJBB – Black on black (black door and black cooktop)

Specification Created 6/04

330420

Free Manuals Download Website

<http://myh66.com>

<http://usermanuals.us>

<http://www.somanuals.com>

<http://www.4manuals.cc>

<http://www.manual-lib.com>

<http://www.404manual.com>

<http://www.luxmanual.com>

<http://aubethermostatmanual.com>

Golf course search by state

<http://golfingnear.com>

Email search by domain

<http://emailbydomain.com>

Auto manuals search

<http://auto.somanuals.com>

TV manuals search

<http://tv.somanuals.com>