



# Illustrated Parts List

**MODEL**  
**040324-00**

Not for  
Reproduction

**13,000 Watt**  
**Home Generator System**

Not for  
Reproduction

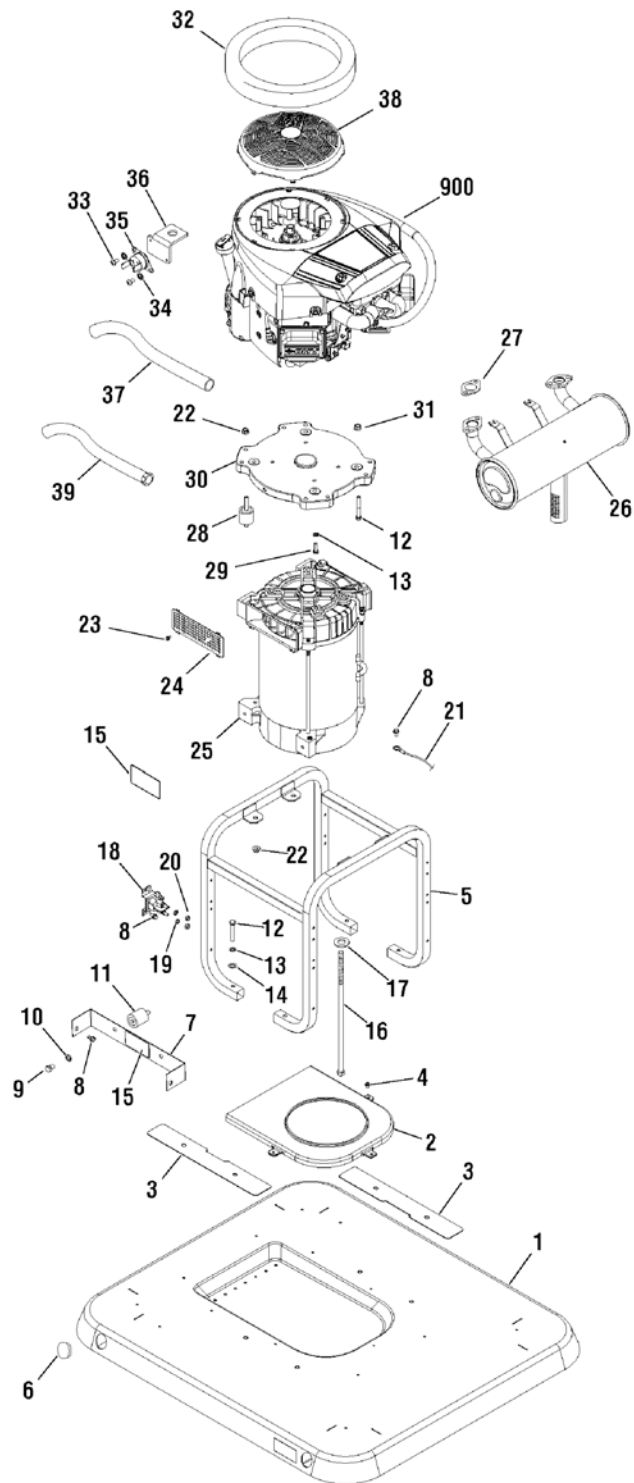
<b>PRODUCT COMPONENTS</b>	<b>PAGES</b>
Main Unit .....	4
Alternator .....	6
Control Panel .....	7
Enclosure .....	9
Torque Specification Chart .....	Inside Back Cover

Not for  
Reproduction

## Exploded View - Main Unit

NOTE: Unless noted otherwise, use the standard hardware torque specification chart.

209059



The above parts group applies to the following Mfg. Nos.:

040324-0 - 13,000 Watt Standby Generator System (GE)

040324GE-0 - 13,000 Watt Standby Generator System (GE)

## Parts List - Main Unit

Ref.	Part No.	Description	Ref.	Part No.	Description
1	B311623GS	BASE			
2	311653GS	DUCT			
3	311636GS	BRACKET			
4	194561GS	SCREW			
5	B311625GS	CRADLE			
6	198460GS	PLUG, Hole			
7	311677GS	BRACKET			
8	B4300GS	BOLT			
9	----	* CAPSCREW, Hex Head, 3/8-16 x 1/2			
10	----	* WASHER, Lock, 3/8			
11	38353GS	MOUNT, Vibration			
12	----	* CAPSCREW, Hex Head, 5/16-18 x 2			
13	----	* WASHER, Lock, M8			
14	----	* WASHER, Flat, M8			
15	205398GS	DECAL			
16	200442GS	BOLT			
17	203200GS	WASHER			
18	691656	SOLENOID, Starter			
19	----	* WASHER, Lock, 1/4			
20	----	* NUT, 1/4-20			
21	313222GS	WIRE			
22	67989GS	NUT			
23	74908GS	TAPTITE			
24	313330GS	SCREEN			
25	----	ALTERNATOR			
26	797908GS	MUFFLER			
27	690970	GASKET			
28	194783GS	MOUNT, Vibration			
29	----	* CAPSCREW, Hex Head, 5/16-18 x 1			
30	311650GS	ADAPTER, Engine			
31	189160GS	NUT			
32	313337GS	SEAL			
33	186242GS	SCREW			

### Footnotes:

\* Items without part numbers are common fasteners and are available at your local hardware store.

\*\* Contact Engine Manufacturer

### The above parts group applies to the following Mfg. Nos.:

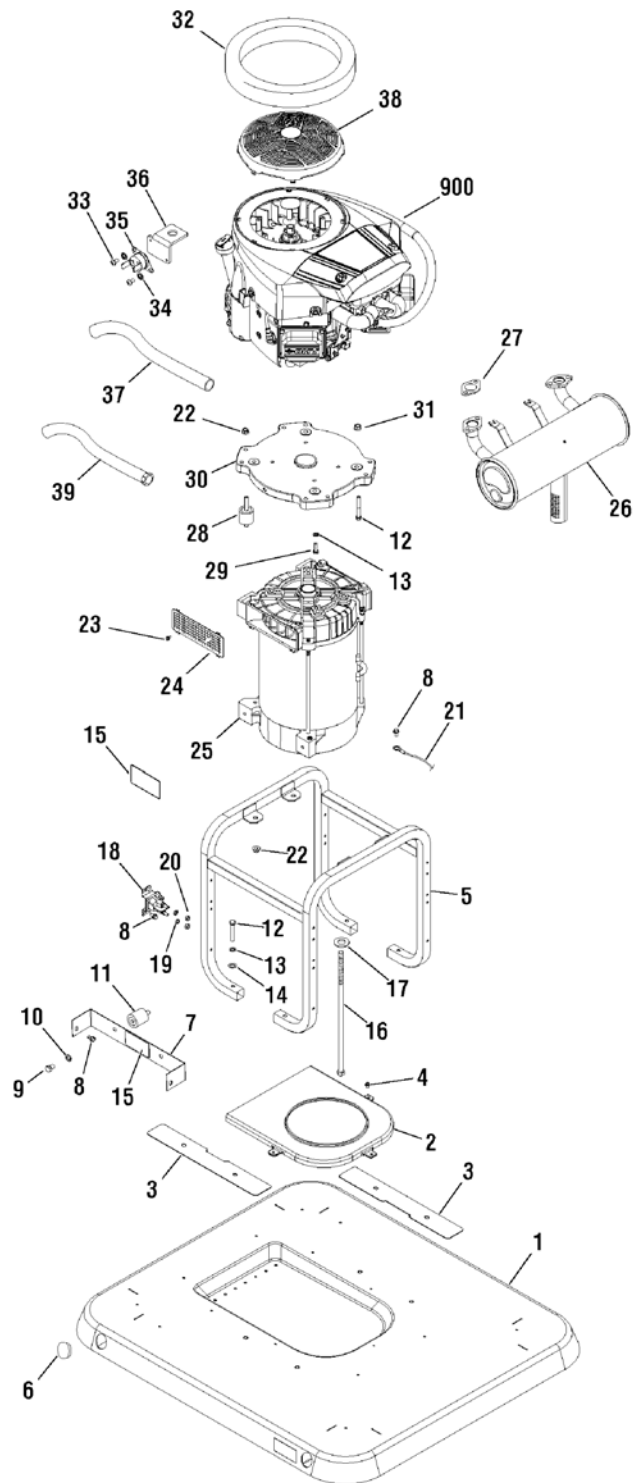
040324-0 - 13,000 Watt Standby Generator System (GE)

040324GE-0 - 13,000 Watt Standby Generator System (GE)

## Exploded View - Main Unit

NOTE: Unless noted otherwise, use the standard hardware torque specification chart.

209059



The above parts group applies to the following Mfg. Nos.:

040324-0 - 13,000 Watt Standby Generator System (GE)

040324GE-0 - 13,000 Watt Standby Generator System (GE)

## Parts List - Main Unit

Ref.	Part No.	Description	Ref.	Part No.	Description
34	27772GS	WASHER			
35	313228GS	SWITCH			
36	312068GS	PLATE, Temp Switch			
37	1723165SM	HOSE, Oil			
38	798767	COVER			
39	312079GS	HOSE, Fuel			
900	-----	** ENGINE			
--	312761GS	MANUAL, Operator (Parts Not Illustrated)			
--	312760GS	MANUAL, Installation (Parts Not Illustrated)			
--	311713GS	FLEX HOSE (Parts Not Illustrated)			
--	313789GS	STRAP, Battery (Parts Not Illustrated)			
--	313574GS	KIT, LP Conversion (Parts Not Illustrated)			
--	318186GS	KIT, Manual, ACC (Parts Not Illustrated)			
--	312758GS	PAINT, Touch Up, GE Bronze (Optional Accessory)			
--	315008GS	PAINT, Spray, GE Bronze (Optional Accessory)			

Not for  
Reproduction

### Footnotes:

\* Items without part numbers are common fasteners and are available at your local hardware store.

\*\* Contact Engine Manufacturer

---

### The above parts group applies to the following Mfg. Nos.:

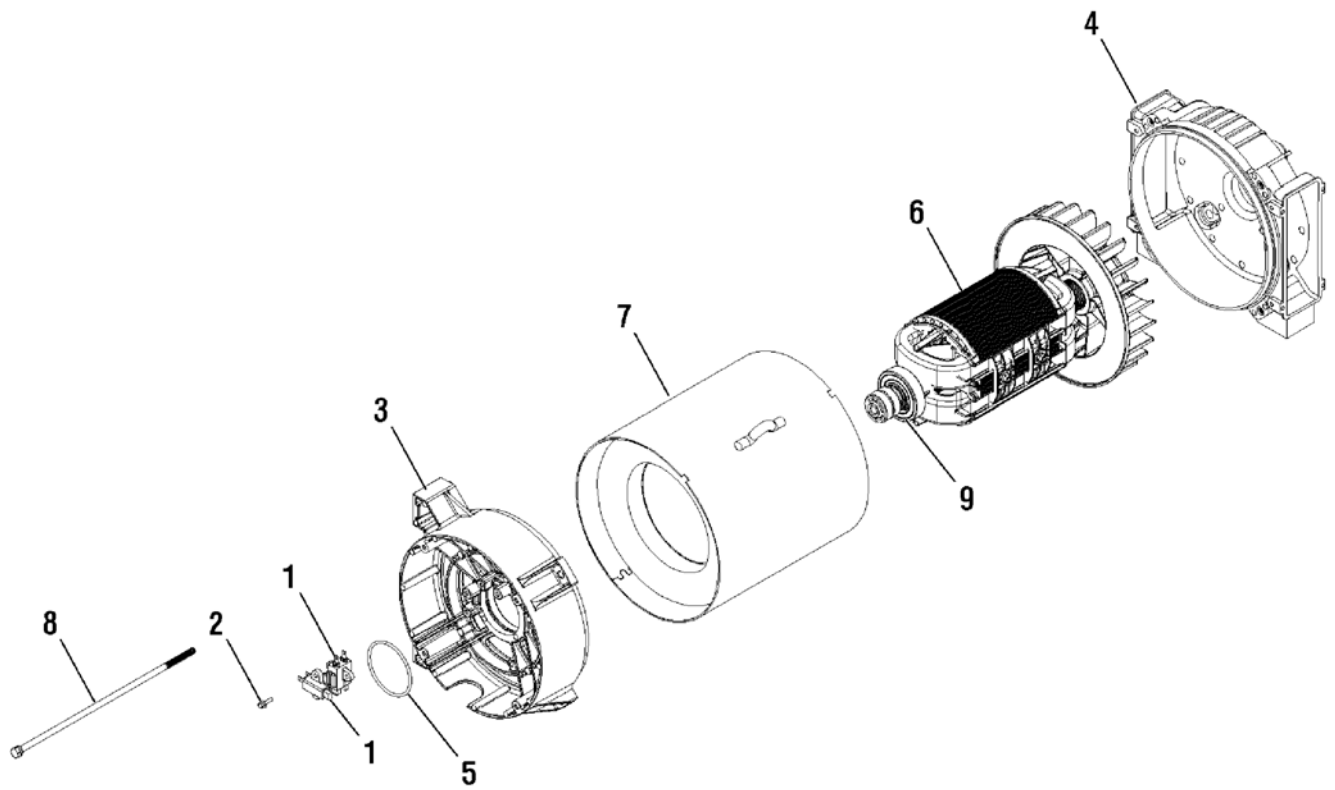
040324-0 - 13,000 Watt Standby Generator System (GE)

040324GE-0 - 13,000 Watt Standby Generator System (GE)

## Exploded View - Alternator

NOTE: Unless noted otherwise, use the standard hardware torque specification chart.

209060



The above parts group applies to the following Mfg. Nos.:

040324-0 - 13,000 Watt Standby Generator System (GE)

040324GE-0 - 13,000 Watt Standby Generator System (GE)



## Parts List - Alternator

Ref.	Part No.	Description	Ref.	Part No.	Description
1	66386GS	BRUSH ASSEMBLY			
2	66849GS	TAPTITE			
3	195234GS	RBC			
4	195235GS	ADAPTER, Alternator			
5	199888GS	O-RING			
6	311665GS	ROTOR			
7	311666GS	STATOR			
8	311671GS	SCREW			
9	195521GS	BEARING			

Not for  
Reproduction

### Footnotes:

---

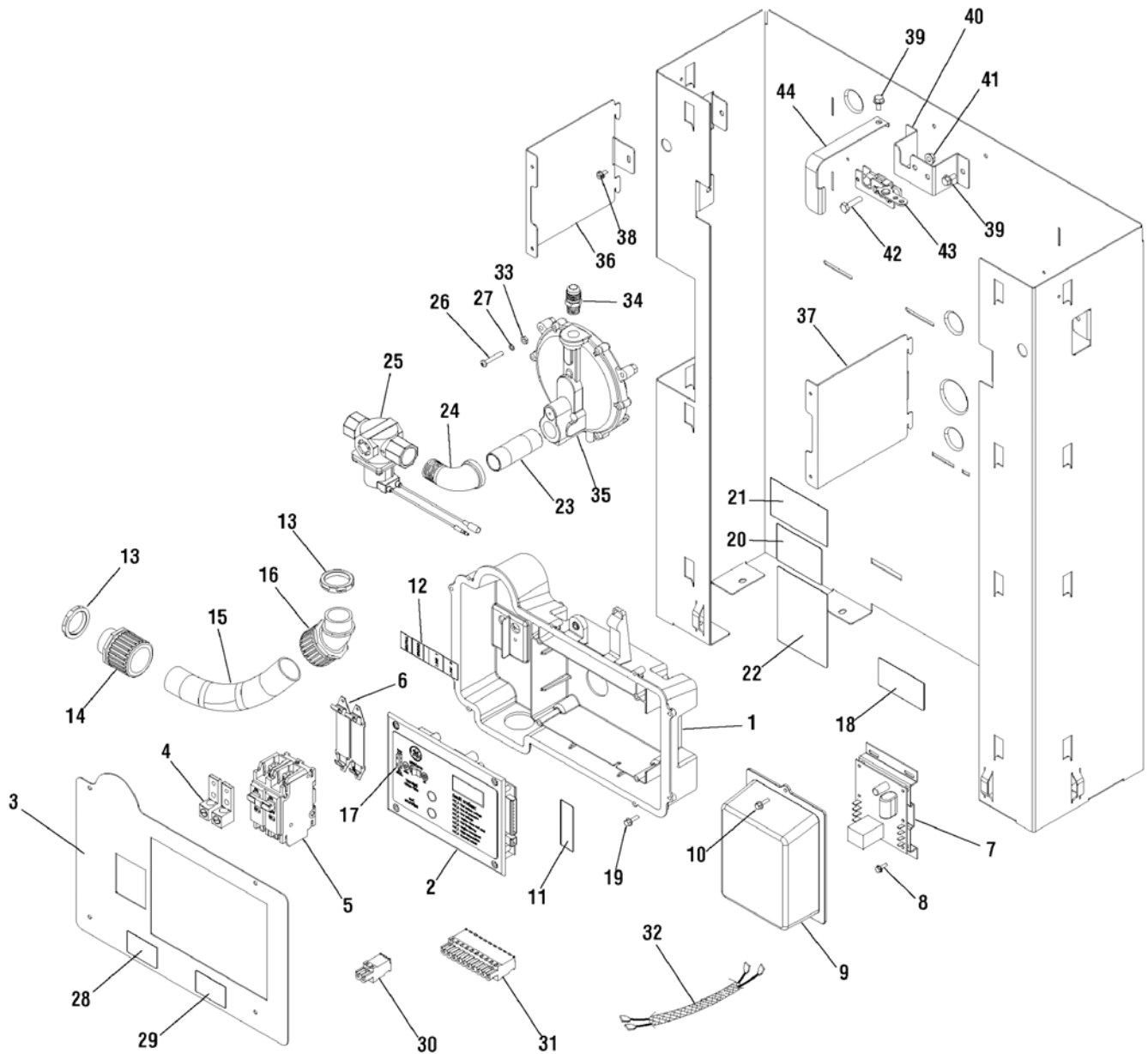
#### The above parts group applies to the following Mfg. Nos.:

040324-0 - 13,000 Watt Standby Generator System (GE)  
040324GE-0 - 13,000 Watt Standby Generator System (GE)

## Exploded View - Control Panel

NOTE: Unless noted otherwise, use the standard hardware torque specification chart.

209061



The above parts group applies to the following Mfg. Nos.:

040324-0 - 13,000 Watt Standby Generator System (GE)

040324GE-0 - 13,000 Watt Standby Generator System (GE)

## Parts List - Control Panel

Ref.	Part No.	Description	Ref.	Part No.	Description
1	315099GS	BOX, Control Panel			
2	311351GS	CONTROL PANEL			
3	B312357GS	PANEL, Control			
4	199011GS	LUG			
5	311316GS	CIRCUIT BREAKER, 60A			
6	192770GS	BRACKET			
7	205479GS	REGULATOR, Voltage			
8	192778GS	SCREW			
9	311696GS	COVER			
10	66849GS	TAPTITE			
11	198549GS	DECAL			
12	313585GS	DECAL			
13	313600GS	LOCKNUT			
14	313599GS	FITTING			
15	313597GS	CONDUIT, Flex			
16	313598GS	FITTING			
17	198573GS	FUSE			
18	205393GS	DECAL			
19	311686GS	SCREW			
20	205392GS	DECAL			
21	193297GS	DECAL			
22	311629GS	DECAL			
23	311680GS	FITTING			
24	207894GS	FITTING			
25	310985GS	VALVE, Fuel			
26	36939GS	SCREW			
27	22152GS	WASHER			
28	205394GS	DECAL			
29	205395GS	DECAL			
30	198515GS	CONNECTOR, 2 Pin			
31	198516GS	CONNECTOR, 10 Pin			
32	198517GS	HARNESS, Wire			
33	----	* NUT, 1/4-20			

### Footnotes:

\* Items without part numbers are common fasteners and are available at your local hardware store.

### The above parts group applies to the following Mfg. Nos.:

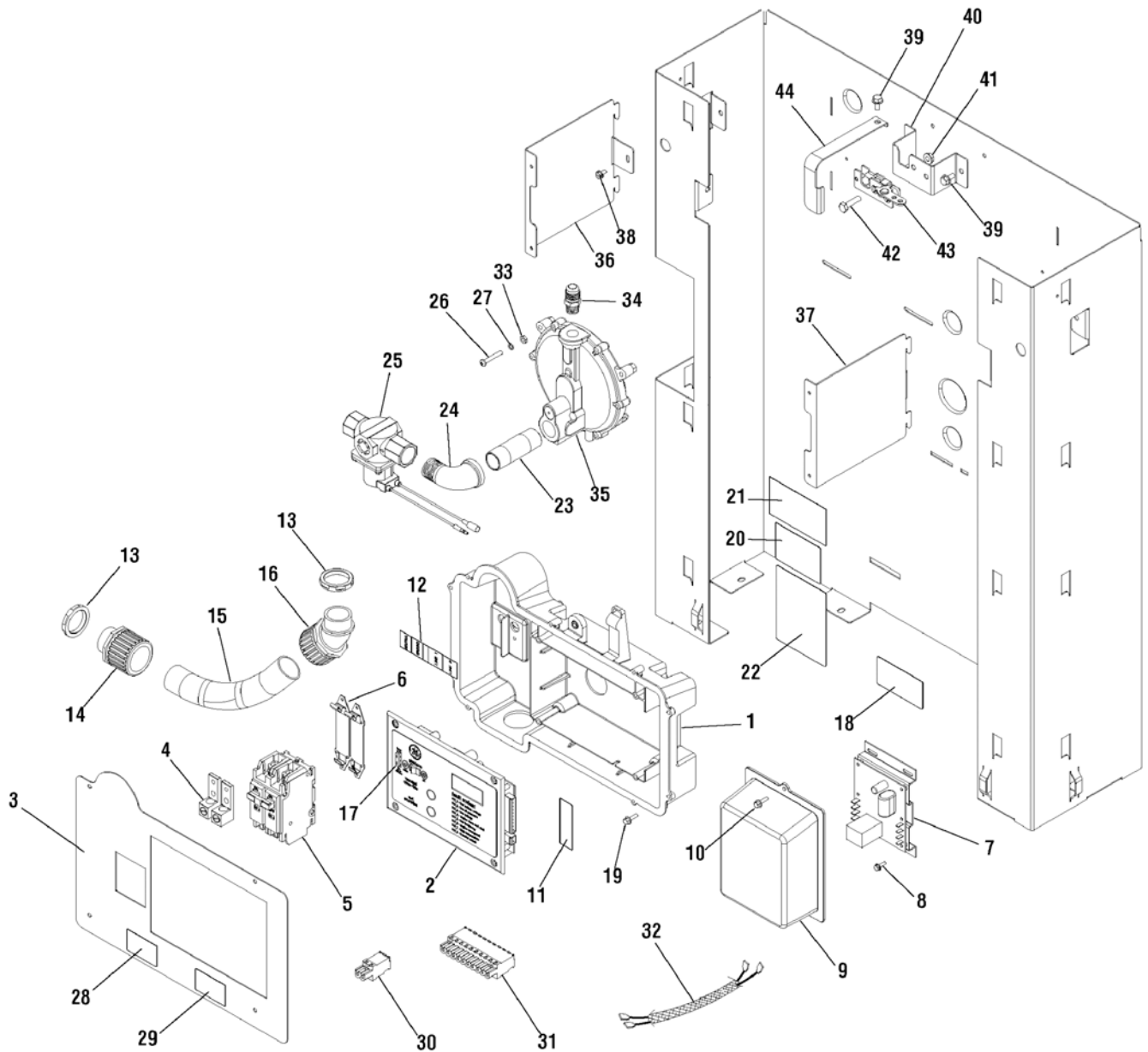
040324-0 - 13,000 Watt Standby Generator System (GE)

040324GE-0 - 13,000 Watt Standby Generator System (GE)

## Exploded View - Control Panel

NOTE: Unless noted otherwise, use the standard hardware torque specification chart.

209061



The above parts group applies to the following Mfg. Nos.:

040324-0 - 13,000 Watt Standby Generator System (GE)

040324GE-0 - 13,000 Watt Standby Generator System (GE)

## Parts List - Control Panel

Ref.	Part No.	Description	Ref.	Part No.	Description
34	202382GS	FITTING			
35	194830GS	REGULATOR, NG/LPG			
36	311706GS	BRACKET			
37	311708GS	BRACKET			
38	194561GS	SCREW			
39	B4300GS	BOLT			
40	311660GS	BRACKET			
41	-----	* NUT, 1/4-20			
42	-----	* CAPSCREW, Hex Head, 1/2-20 x 1			
43	311684GS	LATCH, Roof			
44	B313819GS	LEVER			
--	312069GS	HARNESS, Wire (Parts Not Illustrated)			
--	313338GS	HARNESS, AVR (Parts Not Illustrated)			
--	311691GS	CABLE, Battery, Red (Parts Not Illustrated)			
--	206609GS	DECAL (Parts Not Illustrated)			
--	311693GS	CABLE, Battery, Black (Parts Not Illustrated)			

Not for  
Reproduction

### Footnotes:

\* Items without part numbers are common fasteners and are available at your local hardware store.

---

### The above parts group applies to the following Mfg. Nos.:

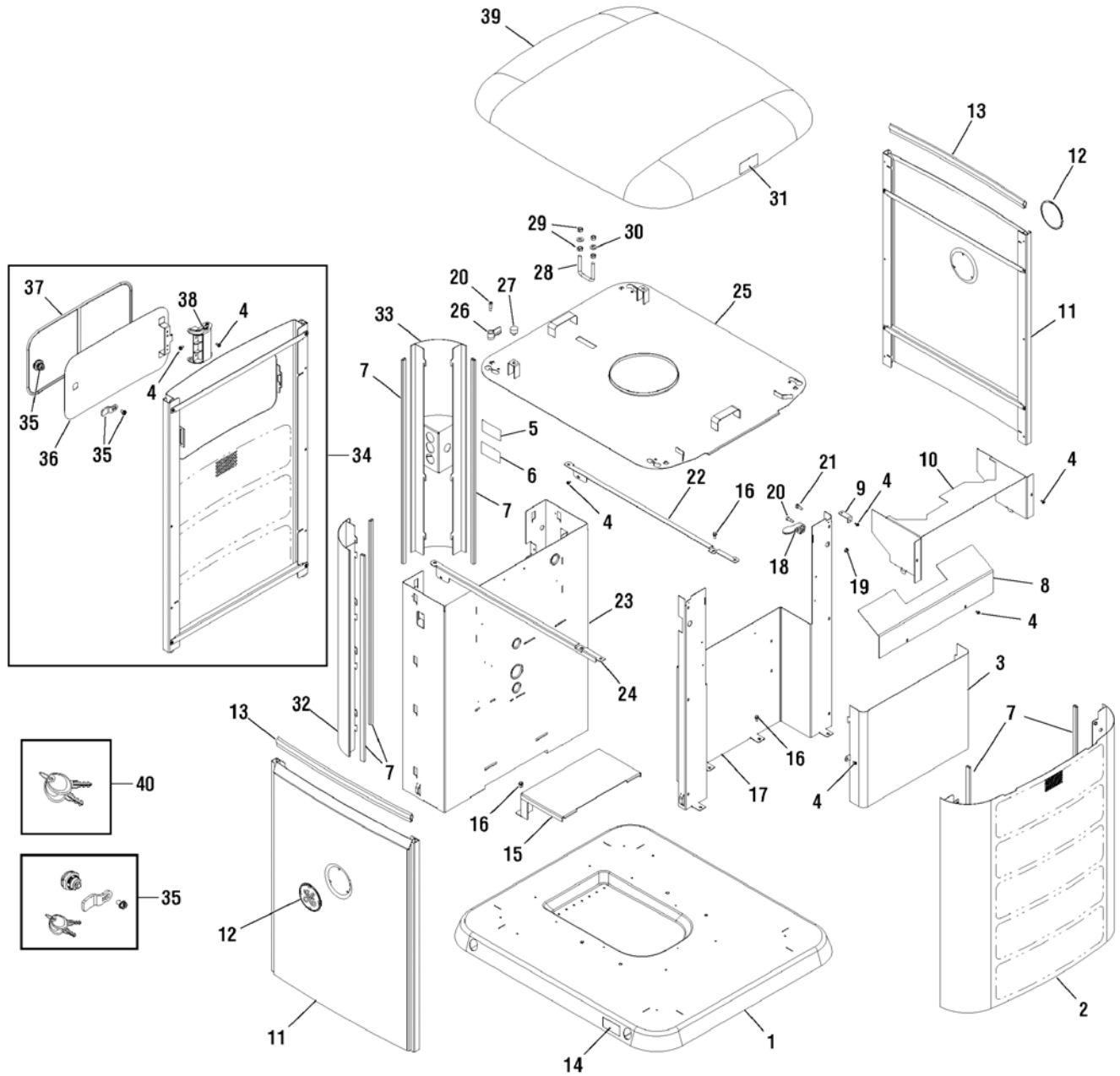
040324-0 - 13,000 Watt Standby Generator System (GE)

040324GE-0 - 13,000 Watt Standby Generator System (GE)

# Exploded View - Enclosure

NOTE: Unless noted otherwise, use the standard hardware torque specification chart.

209062



The above parts group applies to the following Mfg. Nos.:

040324-0 - 13,000 Watt Standby Generator System (GE)

040324GE-0 - 13,000 Watt Standby Generator System (GE)

## Parts List - Enclosure

Ref.	Part No.	Description	Ref.	Part No.	Description
1	B311623GS	BASE			
2	AL311630GS	BULKHEAD			
3	312754GS	COVER, Muffler			
4	194561GS	SCREW			
5	195642GS	DECAL			
6	186643GS	DECAL			
7	312066GS	SEAL			
8	312752GS	DEFLECTOR, Muffler			
9	312755GS	BRACKET			
10	311672GS	COVER, Muffler			
11	313618GS	DOOR			
12	207096GS	BADGE			
13	311692GS	SEAL			
14	187316GS	DECAL			
15	315200GS	TRAY, Battery			
16	B4300GS	BOLT			
17	311673GS	BULKHEAD			
18	311642GS	LEVER			
19	194005GS	NUT			
20	311644GS	SCREW			
21	----	* CAPSCREW, Hex Head, 1/4-20 x 3/4			
22	312767GS	RAIL			
23	311652GS	BULKHEAD			
24	311648GS	RAIL			
25	311639GS	DIVIDER			
26	312077GS	KNOB			
27	312353GS	BUMPER			
28	311651GS	U-BOLT			
29	----	* NUT, 3/8-16			
30	----	* WASHER, Flat, 3/8 - M10			
31	311685GS	DECAL			
32	AL311637GS	CORNER			
33	AL311638GS	CORNER			

### Footnotes:

\* Items without part numbers are common fasteners and are available at your local hardware store.

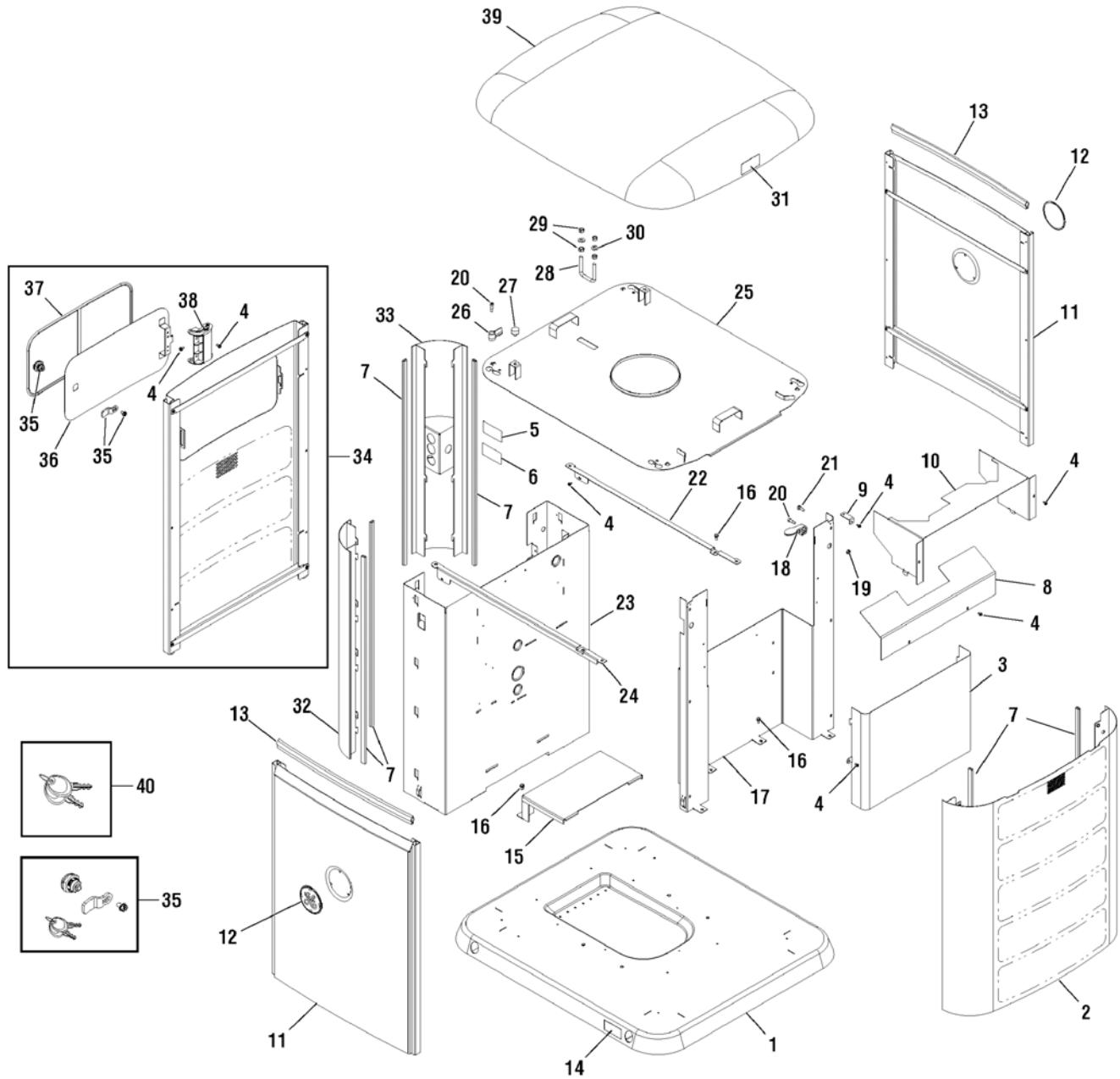
### The above parts group applies to the following Mfg. Nos.:

040324-0 - 13,000 Watt Standby Generator System (GE)  
 040324GE-0 - 13,000 Watt Standby Generator System (GE)

# Exploded View - Enclosure

NOTE: Unless noted otherwise, use the standard hardware torque specification chart.

209062



The above parts group applies to the following Mfg. Nos.:

040324-0 - 13,000 Watt Standby Generator System (GE)

040324GE-0 - 13,000 Watt Standby Generator System (GE)



## Parts List - Enclosure

Ref.	Part No.	Description	Ref.	Part No.	Description
34	311710GS	DOOR			
35	313745GS	LATCH			
36	AL311643GS	DOOR			
37	311674GS	TRIM			
38	311676GS	HINGE			
39	AL311640GS	ROOF			
40	314290GS	KEY, Latch			

Not for  
Reproduction

### Footnotes:

\* Items without part numbers are common fasteners and are available at your local hardware store.

---

### The above parts group applies to the following Mfg. Nos.:

040324-0 - 13,000 Watt Standby Generator System (GE)

040324GE-0 - 13,000 Watt Standby Generator System (GE)

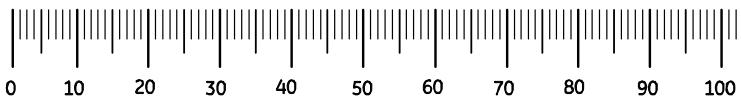
Not for  
Reproduction

# Hardware Identification & Torque Specifications

Torque Specification Chart FOR STANDARD METRIC MACHINE HARDWARE (Tolerance ± 20%)								
Property Class	5.6 Class 5.6		8.8 Class 8.8		10.9 Class 10.9		12.9 Class 12.9	
	in/lbs ft/lbs	Nm.	in/lbs ft/lbs	Nm.	in/lbs ft/lbs	Nm.	in/lbs ft/lbs	Nm.
M3	5.88	.56	13.44	1.28	19.2	1.80	22.92	2.15
M4	13.44	1.28	30.72	2.90	43.44	4.10	52.56	4.95
M5	26.4	2.50	60.96	5.75	5.97	8.10	7.15	9.7
M6	44.64	4.3	7.3	9.9	10.3	14	12.1	16.5
M7	5.2	7.1	12.1	16.5	16.9	23	19.9	27
M8	7.7	10.5	17.7	24	25	34	29	40
M10	15	21	35	48	50	67	59	81
M12	26	36	61	83	86.2	117	103	140
M14	42	58	101	132	136	185	162	220
M16	64	88	147	200	210	285	250	340
M18	89	121	202	275	287	390	346	470
M20	126	171	290	390	405	550	486	660
M22	169	230	390	530	559	745	656	890
M24	217	295	497	375	708	960	840	1140
M27	320	435	733	995	1032	1400	1239	1680
M30	435	590	995	1350	1401	1900	1681	2280
M33	590	800	1349	1830	1902	2580	2278	3090
M36	759	1030	1740	2360	2441	3310	2935	3980
M39	988	1340	2249	3050	3163	4290	3798	5150

Torque Specification Chart FOR STANDARD MACHINE HARDWARE (Tolerance ± 20%)						
Hardware Grade	No Marks SAE Grade 2		SAE Grade 5		SAE Grade 8	
	in/lbs ft/lbs	Nm.	in/lbs ft/lbs	Nm.	in/lbs ft/lbs	Nm.
8-32	19	2.1	30	3.4	41	4.6
8-36	20	2.3	31	3.5	43	4.9
10-24	27	3.1	43	4.9	60	6.8
10-32	31	3.5	49	5.5	68	7.7
1/4-20	66	7.6	8	10.9	12	16.3
1/4-28	76	8.6	10	13.6	14	19.0
5/16-18	11	15.0	17	23.1	25	34.0
5/16-24	12	16.3	19	25.8	29	34.0
3/8-16	20	27.2	30	40.8	45	61.2
3/8-24	23	31.3	35	47.6	50	68.0
7/16-14	30	40.8	50	68.0	70	95.2
7/16-20	35	47.6	55	74.8	80	108.8
1/2-13	50	68.0	75	102.0	110	149.6
1/2-20	55	74.8	90	122.4	120	163.2
9/16-12	65	88.4	110	149.6	150	204.0
9/16-18	75	102.0	120	163.2	170	231.2
5/8-11	90	122.4	150	204.0	220	299.2
5/8-18	100	136	180	244.8	240	326.4
3/4-10	160	217.6	260	353.6	386	525.0
3/4-16	180	244.8	300	408.0	420	571.2
7/8-9	140	190.4	400	544.0	600	816.0
7/8-14	155	210.8	440	598.4	660	897.6
1-8	220	299.2	580	788.8	900	1,244.0
1-12	240	326.4	640	870.4	1,000	1,360.0

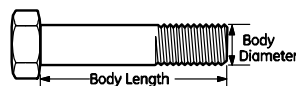
The guides and ruler furnished below are designed to help you select the appropriate hardware.



**Nut, M8**

Thread Diameter (mm)  
Inside Diameter (in)  
Threads per inch

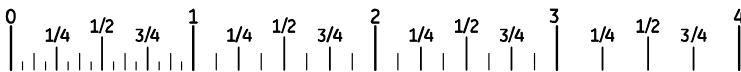
**Nut, 1/2-16**



**Screw, M8- 1.25 x 25**

Thread Diameter (mm)  
Body Diameter  
Distance between threads (mm)  
Threads per inch  
Body Length (mm)  
Body Length (in)

**Screw, 1/2- 16 x 2**



## Standard Hardware Sizing

When a washer or nut is identified as **1/2" (M8)**, this is the *Nominal size*, meaning the *inside diameter* is 1/2 inch (8mm metric thread diameter); if a second number is present it represents the *threads per inch* (distance between threads),

When bolt or capscrew is identified as **1/2-16 x 2"** (M8 - 1.25 x 50), this means the *Nominal size*, or body diameter is 1/2 inch (8mm metric thread diameter), the second number, 16, represents the *threads per inch*, (1.25 thread diameter). The final number is the body length of the bolt or screw, 2 inches (50mm).

## NOTES

- These torque values are to be used for all hardware excluding: locknuts, self-tapping screws, thread forming screws, sheet metal screws and socket head setscrews.
- Recommended seating torque values for locknuts:
  - for prevailing torque locknuts - use 65% of grade 5 torques.
  - for flange whizlock nuts and screws - use 135% of grade 5 torques.
- Unless otherwise noted on assembly drawings, all torque values must meet this specification.

## Common Hardware Types

Hex Head Capscrew



Washer

Carriage Bolt








Lockwasher



Hex Nut

## Wrench & Fastener Size Guide

				
1/4" Bolt or Nut Wrench—7/16"	5/16" Bolt or Nut Wrench—1/2"	3/8" Bolt or Nut Wrench—9/16"	7/16" Bolt or Nut Wrench (Bolt)—5/8" Wrench (Nut)— 11/16"	1/2" Bolt or Nut Wrench—3/4"
M6 Bolt or Nut Wrench—10mm	M8 Bolt or Nut Wrench—13mm	M10 Bolt or Nut Wrench—17mm	M12 Bolt or Nut Wrench—19mm	M14 Bolt or Nut Wrench—22 mm



Not for  
Reproduction



is a trademark of General Electric company  
and is under licensed by Briggs & Stratton  
Power Products Group, LLC.

Copyright © 2012. All Rights reserved. No part of this material may  
be reproduced or transmitted in any form without the express  
written permission of Briggs & Stratton Power Products Group, LLC.

## Free Manuals Download Website

<http://myh66.com>

<http://usermanuals.us>

<http://www.somanuals.com>

<http://www.4manuals.cc>

<http://www.manual-lib.com>

<http://www.404manual.com>

<http://www.luxmanual.com>

<http://aubethermostatmanual.com>

Golf course search by state

<http://golfingnear.com>

Email search by domain

<http://emailbydomain.com>

Auto manuals search

<http://auto.somanuals.com>

TV manuals search

<http://tv.somanuals.com>