

CGS980SEMSS

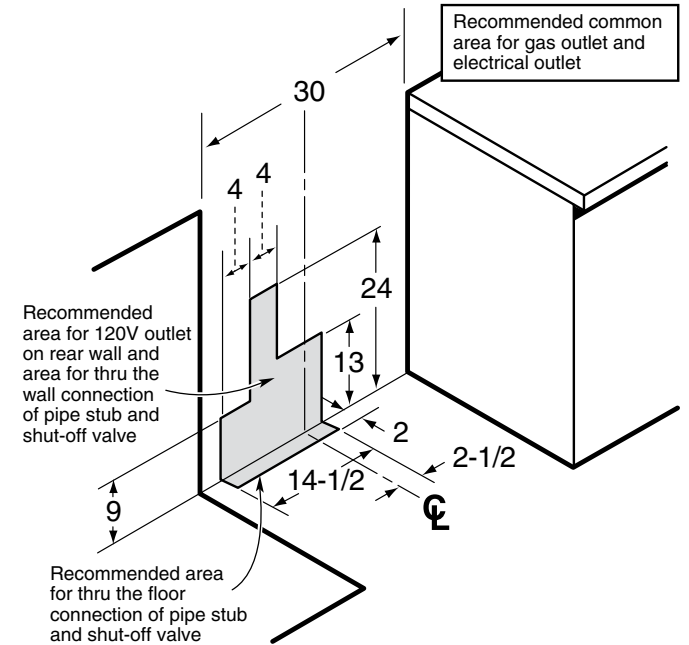
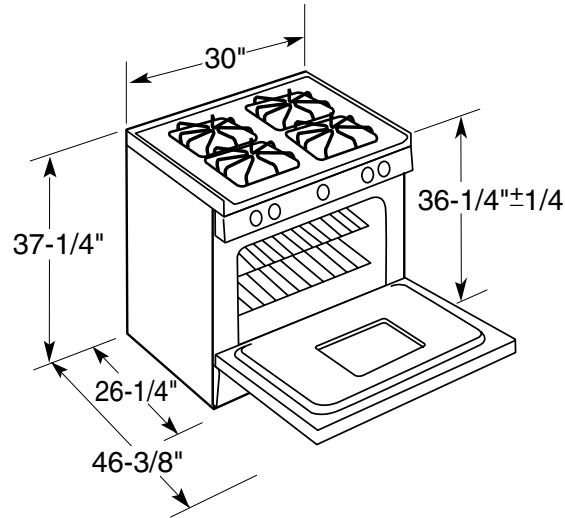
GE Café 30" Free-Standing Gas Range

Dimensions and Installation Information (in inches)

You must use the rear filler strip kit shipped with the range or the optional accessory backguard when installing these ranges

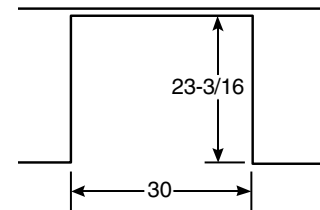
Note: Cabinets installed adjacent to slide-in ranges must have an adhesion spec of at least 194° temperature rating.

Installation Information: Before installing, consult installation instructions packed with product for current dimensional data.

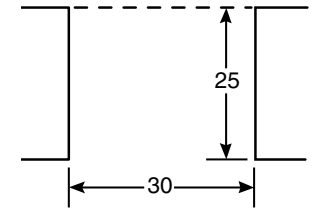


Counter Cutout Dimensions (in inches)

If you are NOT using the Filler strip or Backguard:



If you are using the Filler strip or Backguard:



For answers to your Monogram®, GE Profile™ or GE® appliance questions, visit our website at ge.com or call GE Answer Center® service, 800.626.2000.



imagination at work



All GE ranges are equipped with an Anti-Tip device. The installation of this device is an important, required step in the installation of the range.



Specification Revised 12/07

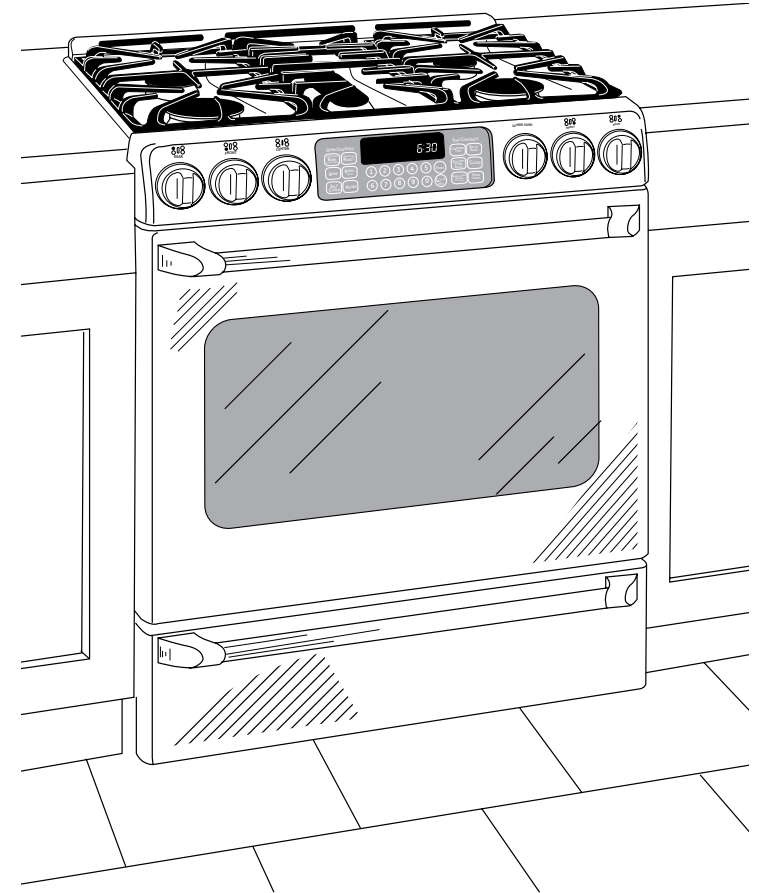
230151

CGS980SEMSS

GE Café 30" Free-Standing Gas Range

Features and Benefits

- PreciseAir™ Convection System - Delivers even air and heat circulation for superior baking and roasting results
- Extra-Large Oven Capacity - Provides a large oven interior ideal for cooking more items at once
- Self-Clean Oven - Conveniently cleans the oven cavity without need of scrubbing
- Deep Recessed Cooktop - Designed with a recessed surface to help contain spills and make cleaning easy
- PowerBoil™ 18,000 BTU Burner - Delivers 18,000 BTUs of forceful heat for rapid boiling
- High Output Burner - Provides a powerful burner output for efficient heat-up and boiling
- Center Oval Burner - Adds a fifth element to the center of the cooktop to accommodate large cookware and deliver ideal results
- Lower Oven - Offers an additional 1.0 cu. ft. of capacity for convenient baking from 140 degrees to 450 degrees
- Range Lockout
- Model CGS908SEMSS – Stainless steel



imagination at work

Free Manuals Download Website

<http://myh66.com>

<http://usermanuals.us>

<http://www.somanuals.com>

<http://www.4manuals.cc>

<http://www.manual-lib.com>

<http://www.404manual.com>

<http://www.luxmanual.com>

<http://aubethermostatmanual.com>

Golf course search by state

<http://golfingnear.com>

Email search by domain

<http://emailbydomain.com>

Auto manuals search

<http://auto.somanuals.com>

TV manuals search

<http://tv.somanuals.com>