



Profile Side by Side Refrigerators

Safety Instructions2-4

Operating Instructions

Automatic Icemaker12
Care and Cleaning14, 15
Crispers and Pans11
Ice and Water Dispenser13
Refrigerator Doors10
Replacing the Light Bulbs16
Shelves, Bins and Racks8, 9
Temperature Controls5
TurboCool™6
Water Filter7

Installation Instructions

Installing the Refrigerator26-29
Moving the Refrigerator22-25
Preparing to Install
the Refrigerator21
Trim Kits and Panels17-20
Water Line Installation30-32

Troubleshooting Tips33-36
Normal Operating Sounds33

Consumer Support

Consumer SupportBack Cover
Performance Data Sheet40
Product Registration37, 38
State of California Water
Treatment Device Certificate41
Warranty (Canadian)42
Warranty (U.S.)43

Write the model and serial numbers here:

Model # _____

Serial # _____

Find these numbers on a label inside the refrigerator compartment at the top on the right side.

**Owner's Manual
and Installation**

Models 23, 25, 26, 27 and 29

Profile Côte à Côte
Réfrigérateurs

**Manuel d'utilisation
et d'installation**

La section française commence à la page 44

Profile Lado a Lado
Refrigeradores

**Manual del propietario
e instalación**

La sección en español empieza en la página 82



IMPORTANT SAFETY INFORMATION. READ ALL INSTRUCTIONS BEFORE USING.

⚠ WARNING!

Use this appliance only for its intended purpose as described in this Owner's Manual.

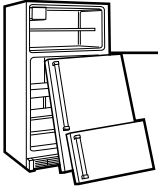


SAFETY PRECAUTIONS

When using electrical appliances, basic safety precautions should be followed, including the following:

- This refrigerator must be properly installed and located in accordance with the Installation Instructions before it is used.
- Do not allow children to climb, stand or hang on the shelves in the refrigerator. They could damage the refrigerator and seriously injure themselves.
- Do not touch the cold surfaces in the freezer compartment when hands are damp or wet. Skin may stick to these extremely cold surfaces.
- Do not store or use gasoline or other flammable vapors and liquids in the vicinity of this or any other appliance.
- In refrigerators with automatic icemakers, avoid contact with the moving parts of the ejector mechanism, or with the heating element located on the bottom of the icemaker. Do not place fingers or hands on the automatic icemaking mechanism while the refrigerator is plugged in.
- Keep fingers out of the “pinch point” areas; clearances between the doors and between the doors and cabinet are necessarily small. Be careful closing doors when children are in the area.
- Unplug the refrigerator before cleaning and making repairs.
NOTE: We strongly recommend that any servicing be performed by a qualified individual.
- Setting either or both controls to **0 (off)** does not remove power to the light circuit.
- Do not refreeze frozen foods which have thawed completely.

⚠ DANGER! RISK OF CHILD ENTRAPMENT



PROPER DISPOSAL OF THE REFRIGERATOR

Child entrapment and suffocation are not problems of the past. Junked or abandoned refrigerators are still dangerous...even if they will sit for "just a few days." If you are getting rid of your old refrigerator, please follow the instructions below to help prevent accidents.

Before You Throw Away Your Old Refrigerator or Freezer:

- Take off the doors.
- Leave the shelves in place so that children may not easily climb inside.

Refrigerants

All refrigeration products contain refrigerants, which under federal law must be removed prior to product disposal. If you are getting rid of an old refrigeration product, check with the company handling the disposal about what to do.



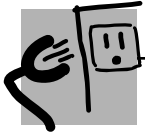
USE OF EXTENSION CORDS

Because of potential safety hazards under certain conditions, we strongly recommend against the use of an extension cord.

However, if you must use an extension cord, it is absolutely necessary that it be a UL-listed (in the United States) or a CSA-listed (in Canada), 3-wire grounding type appliance extension cord having a grounding type plug and outlet and that the electrical rating of the cord be 15 amperes (minimum) and 120 volts.

IMPORTANT SAFETY INFORMATION. READ ALL INSTRUCTIONS BEFORE USING.

⚠ WARNING!



HOW TO CONNECT ELECTRICITY

Do not, under any circumstances, cut or remove the third (ground) prong from the power cord. For personal safety, this appliance must be properly grounded.

The power cord of this appliance is equipped with a 3-prong (grounding) plug which mates with a standard 3-prong (grounding) wall outlet to minimize the possibility of electric shock hazard from this appliance.

Have the wall outlet and circuit checked by a qualified electrician to make sure the outlet is properly grounded.

If the outlet is a standard 2-prong outlet, it is your personal responsibility and obligation to have it replaced with a properly grounded 3-prong wall outlet.

The refrigerator should always be plugged into its own individual electrical outlet which has a voltage rating that matches the rating plate.

This provides the best performance and also prevents overloading house wiring circuits which could cause a fire hazard from overheated wires.

Never unplug your refrigerator by pulling on the power cord. Always grip plug firmly and pull straight out from the outlet.

Repair or replace immediately all power cords that have become frayed or otherwise damaged. Do not use a cord that shows cracks or abrasion damage along its length or at either end.

When moving the refrigerator away from the wall, be careful not to roll over or damage the power cord.



USE OF ADAPTER PLUGS *(Adapter plugs not permitted in Canada)*

Because of potential safety hazards under certain conditions, we strongly recommend against the use of an adapter plug.

However, if you must use an adapter, where local codes permit, a **temporary connection** may be made to a properly grounded 2-prong wall outlet by use of a UL-listed adapter available at most local hardware stores.

The larger slot in the adapter must be aligned with the larger slot in the wall outlet to provide proper polarity in the connection of the power cord.

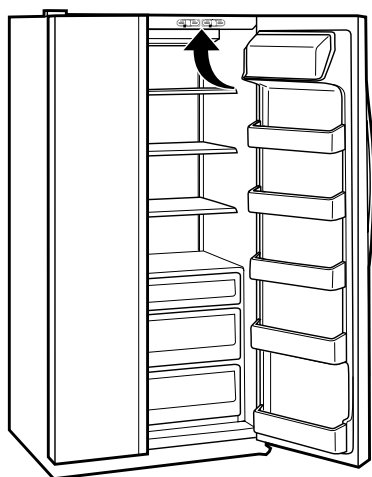
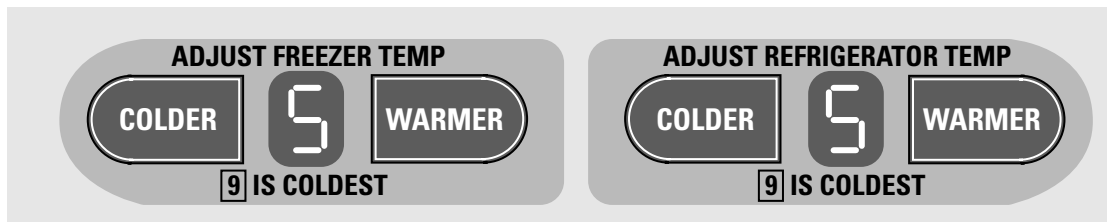
When disconnecting the power cord from the adapter, always hold the adapter in place with one hand while pulling the power cord plug with the other hand. If this is not done, the adapter ground terminal is very likely to break with repeated use.

If the adapter ground terminal breaks, **DO NOT USE** the refrigerator until a proper ground has been established.

Attaching the adapter ground terminal to a wall outlet cover screw does not ground the appliance unless the cover screw is metal, and not insulated, and the wall outlet is grounded through the house wiring. You should have the circuit checked by a qualified electrician to make sure the outlet is properly grounded.



**READ AND FOLLOW THIS SAFETY INFORMATION CAREFULLY.
SAVE THESE INSTRUCTIONS**



*The temperature controls are preset in the factory at **5** for both the refrigerator and freezer compartments. Allow 24 hours for the temperature to stabilize to the preset recommended settings.*

Several adjustments may be required. Each time you adjust controls, allow 24 hours for the refrigerator to reach the setting you have selected.

*Setting either or both controls to **0** stops cooling in both the freezer and refrigerator compartments, but does not shut off electrical power to the refrigerator.*

Control settings will vary based on personal preferences, usage and operating conditions and may require more than one adjustment.

NOTE: *The refrigerator is shipped with protective film covering the temperature controls. If this film was not removed during installation, remove it now.*

Performance Air Flow System

The Performance Air Flow System is designed to maximize temperature control in the refrigerator and freezer compartments. This unique special feature consists of the Air Tower along the back wall of the refrigerator and the Air Tunnel on the bottom portion of the freezer rear wall. Placing food in front of the louvers on these components will not affect performance. Although the Air Tower and the Air Tunnel can be removed, doing so will affect temperature performance. (For removal instructions, on-line, 24 hours a day, contact us at GEAppliances.com or call 800.GE.CARES. In Canada, contact us at www.geappliances.ca or call 1.800.361.3400.)

About TurboCool.™



TurboCool

How it Works

TurboCool™ rapidly cools the refrigerator compartment in order to more quickly cool foods. Use **TurboCool** when adding a large amount of food to the refrigerator compartment, putting away foods after they have been sitting out at room temperature or when putting away warm leftovers. It can also be used if the refrigerator has been without power for an extended period.

Once activated, the compressor will turn on immediately and the fans will cycle on and off at high speed as needed for eight hours. The compressor will continue to run until the refrigerator compartment cools to approximately 34°F (1°C), then it will cycle on and off to maintain this setting. After 8 hours, or if **TurboCool** is pressed again, the refrigerator compartment will return to the original setting.

How to Use

Press **TurboCool**. The refrigerator temperature display will show **TC**.

After **TurboCool** is complete, the refrigerator compartment will return to the original setting.

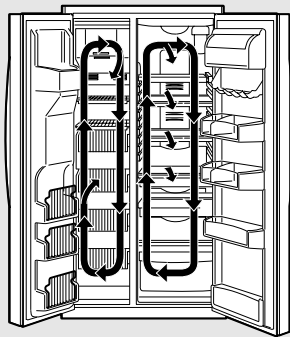
NOTES:

*The refrigerator temperature cannot be changed during **TurboCool**.*

*The freezer temperature is not affected during **TurboCool**.*

*When opening the refrigerator door during **TurboCool**, the fans will continue to run if they have cycled on.*

About ClimateKeeper2.™



How it Works

The new **ClimateKeeper2™** is the industry's most advanced refrigeration system, delivering optimum temperature and humidity performance to keep food fresh longer and reduce freezer burn, while maintaining E star-level efficiency.

The new **ClimateKeeper2** system features two evaporators—one for the refrigerator and one for the freezer.

This provides two separate cooling systems for the entire unit, and separates the airflow between the fresh food and freezer sections during normal cooling operations.*

This ensures that the humidity levels in the fresh food section are significantly higher than in a conventional system,** allowing fresh produce and other unsealed foods to retain their moisture content and freshness longer. Moisture sensitive foods such as fresh fruit, salads, rice, etc., can now be stored on open shelves without excessive moisture loss.

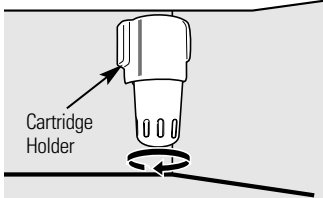
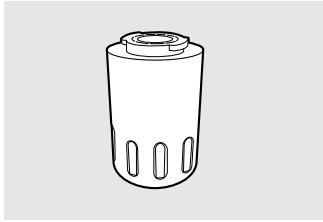
The separate airflow system minimizes the mixing of air between the two compartments, which reduces odor transfer, resulting in improved taste of ice.

The **ClimateKeeper2** system also reduces the number of defrosting cycles in the freezer evaporator, thereby improving the temperature maintained in the freezer and reducing freezer burn.

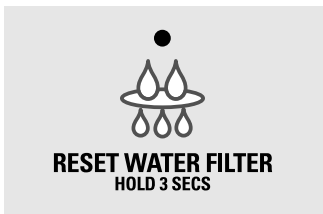
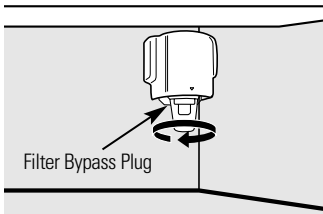
*Freezer air is used in the **CustomCool** feature.

Testing shows a higher level of humidity in the Fresh Food section in **ClimateKeeper2 refrigerators versus conventional units.

On some models



Place the top of the cartridge up inside the cartridge holder and slowly turn it to the right.



Water Filter Cartridge

The water filter cartridge is located in the back upper right corner of the refrigerator compartment.

When to Replace the Filter

There is a replacement indicator light for the water filter cartridge on the dispenser. This light will turn orange to tell you that you need to replace the filter soon.

The filter cartridge should be replaced when the replacement indicator light turns red or if the flow of water to the dispenser or icemaker decreases.

Installing the Filter Cartridge

- 1 If you are replacing the cartridge, first remove the old one by slowly turning it to the left. **Do not** pull down on the cartridge. A small amount of water may drip down.
- 2 Fill the replacement cartridge with water from the tap to allow for better flow from the dispenser immediately after installation.
- 3 Lining up the arrow on the cartridge and the cartridge holder, place the top of the new cartridge up inside the holder. **Do not** push it up into the holder.

Slowly turn it to the right until the filter cartridge stops. **DO NOT OVERTIGHTEN.** As you turn the cartridge, it will automatically raise itself into position. Cartridge will rotate about 1/4 turn.

- 4 Run water from the dispenser for 3 minutes (about one and a half gallons) to clear the system and prevent sputtering.
- 5 Press and hold the **RESET WATER FILTER** pad on the dispenser for 3 seconds.

NOTE: A newly-installed water filter cartridge may **cause water to spurt** from the dispenser.

Filter Bypass Plug

You must use the filter bypass plug when a replacement filter cartridge is not available. The dispenser and the icemaker will not operate without the filter or filter bypass plug.

Replacement Filters:

To order additional filter cartridges in the United States, visit our Website, www.GEAppliances.com, or call GE Parts and Accessories, 800.626.2002.

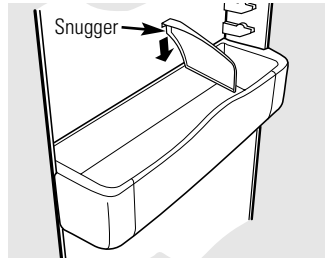
GWF

Suggested Retail \$34.95 USD

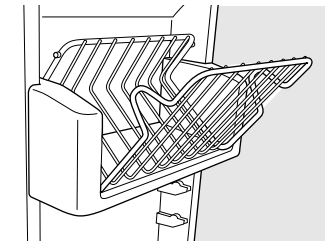
Customers in Canada should consult the yellow pages for the nearest Camco Service Center.

About the shelves, bins and racks.

Not all features are on all models.



Refrigerator bin



Freezer tilt-out bin

Refrigerator Door Bins and Freezer Door Tilt-Out Bins

Large Bins

The larger refrigerator door bins and freezer tilt-out door bins are adjustable.

To remove: Lift the front of the bin straight up, then lift up and out.

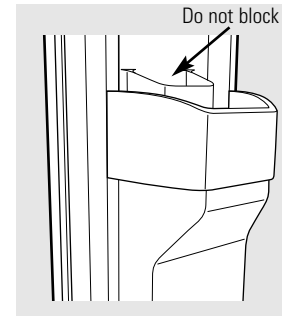
To replace or relocate: Engage the back side of the bin in the molded supports of the door. Then push down on the front of the bin. Bin will lock in place.

Small Bins

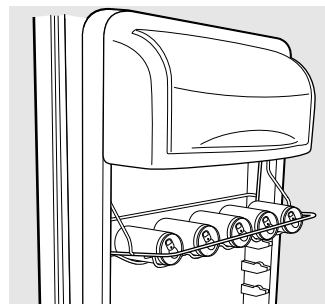
To remove: Lift the front of the bin straight up then out.

To replace: Position the bin above the rectangular molded supports on the door. Then slide the bin down onto the support to lock it in place.

The **snagger** helps prevent tipping, spilling or sliding of small items stored on the door shelf. Place a finger on either side of the snagger near the rear and move it back and forth to fit your needs.



CAUTION: Be careful when placing items in the top bin. Make sure that items do not block or fall into the ice chute.



Door Wine/Beverage Rack (on some models)

This rack holds up to 5 cans, one bottle of wine or one 2-liter bottle of soda.

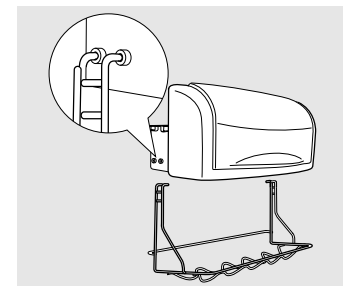
The rack hangs from the sides of the dairy bin.

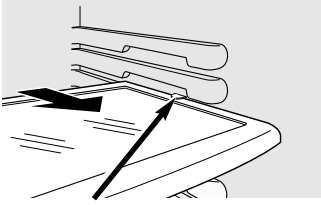
To remove:

- 1 Empty the wine/beverage rack.
- 2 Holding the bottom of the dairy bin, lift the front straight up, then lift up and out.
- 3 To detach the rack from the dairy bin, pull the rack's side wires out of the holes on each side of the dairy bin.

To replace:

- 1 Reattach the rack to the sides of the bin.
- 2 Engage the back side of the bin in the molded supports on the door. Then push down on the front of the bin. The bin will lock into place.





Press tab and pull shelf forward to remove

Slide-Out Spillproof Shelf

The slide-out spillproof shelf allows you to reach items stored behind others. The special edges are designed to help prevent spills from dripping to lower shelves.

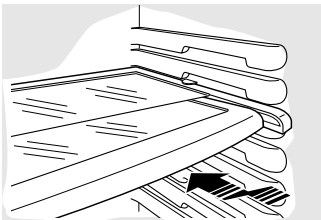
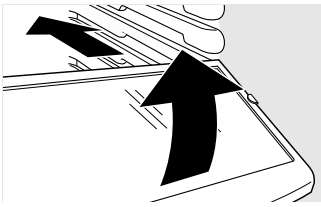
To remove:

Slide the shelf out until it reaches the stop, then press down on the tab and slide the shelf straight out.

To replace or relocate:

Line the shelf up with the supports and slide it into place. The shelf can be repositioned when the door is at 90° or more. To reposition the shelf, slide the shelf past the stops and angle downward. Slide shelf down to the desired position, line up with the supports and slide into place.

Make sure you push the shelves all the way back in before you close the door.

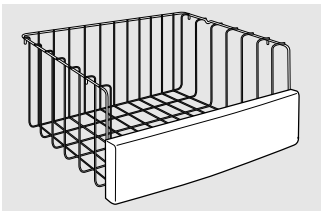


QuickSpace™ Shelf

This shelf splits in half and slides under itself for storage of tall items on the shelf below.

This shelf can be removed and replaced or relocated just like Slide-Out Spillproof Shelves.

On some models, this shelf can not be used in the lowest position.



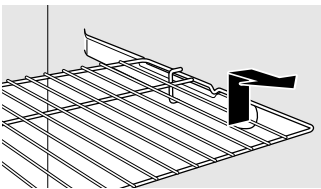
Freezer Baskets

To remove, slide out to the **stop** position, lift the front past the stop position, and slide out.

On some models, the full extension basket can be removed by pushing the basket all

the way to the back of the freezer. Lift up until the back pins are disengaged. Lift the entire basket up and pull out.

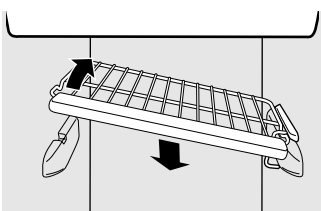
Make sure you push the baskets all the way back in before you close the door.



Slide-Out Freezer Shelves

To remove, slide out to the **stop** position, lift the front past the stop position, and slide out.

Make sure you push the shelves all the way back in before you close the door.

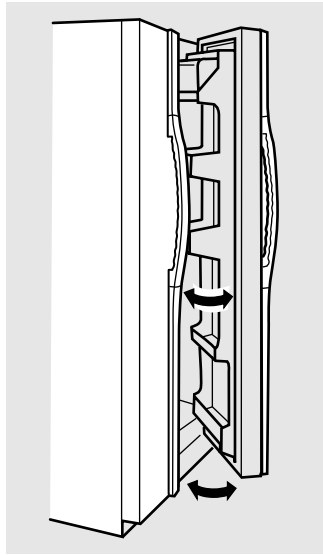


Fixed Freezer Shelves

To remove, lift the shelf up at the left side and then bring the shelf out.

NOTE FOR DISPENSER MODELS: In order to take full advantage of the tilt-out ice bin, only store items on the shelf below the ice bin that are no taller than the lowest point on the bin.

About the refrigerator doors.



When the door is only partially open, it will automatically close.

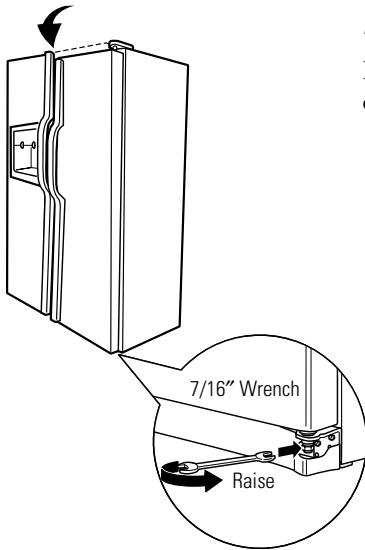
Beyond this **stop** the door will stay open.

Refrigerator Doors

The refrigerator doors may feel different than the ones you are used to. The special door opening/closing feature makes sure the doors close all the way and are securely sealed.

When opening and closing the door you will notice a **stop** position. If the door is opened past this **stop** point, the door will remain open to allow you to load and unload food more easily. When the door is only partially open, it will automatically close.

The resistance you feel at the **stop** position will be reduced as the door is loaded with food.



Door Alignment

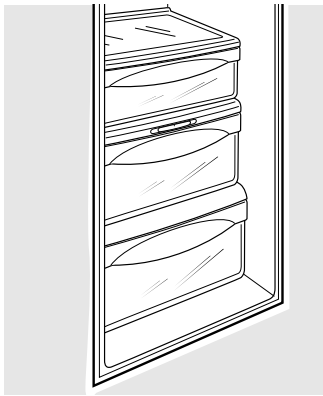
If doors are uneven, adjust the refrigerator door.

① Using a 7/16" wrench, turn the door adjusting screw to the right to raise the door, to the left to lower it. (A nylon plug, imbedded in the threads of the pin, prevents the pin from turning unless a wrench is used.)

② After one or two turns of the wrench, open and close the refrigerator door and check the alignment at the top of the doors.

About the crispers and pans.

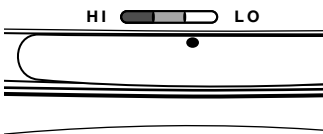
Not all features are on all models.



Fruit and Vegetable Crispers

Excess water that may accumulate in the bottom of the drawers should be wiped dry.

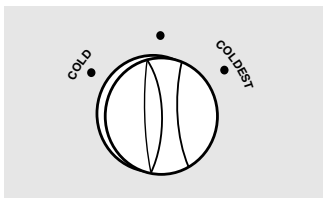
On some models, the bottom drawer has full extension slides that allow full access to the drawer.



Adjustable Humidity Crispers

Slide the control all the way to the **HI** setting to provide high humidity recommended for most vegetables.

Slide the control all the way to the **LO** setting to provide lower humidity levels recommended for most fruits.



Convertible Deli Pan

The convertible deli pan has its own cold air duct to allow a stream of cold air from the freezer compartment to flow to the pan.

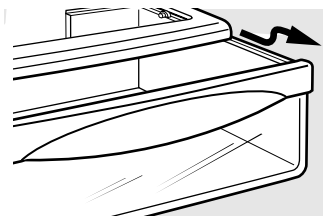
The variable temperature control regulates the airflow from the Climate Keeper.

Set the control to the **coldest** setting to store fresh meats.

Set the control to **cold** to convert the pan to normal refrigerator temperature and provide extra vegetable storage space. The cold air duct is turned off. Variable settings between these extremes can be selected.

About crisper removal.

Not all features are on all models.



Crisper Removal

The top crispers can easily be removed by pulling the drawer straight out and lifting the drawer up and over the **stop** location.

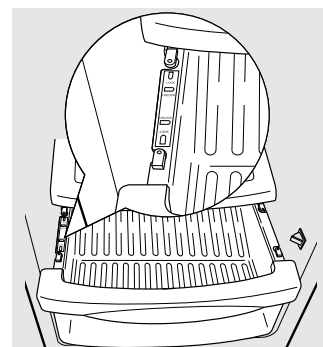
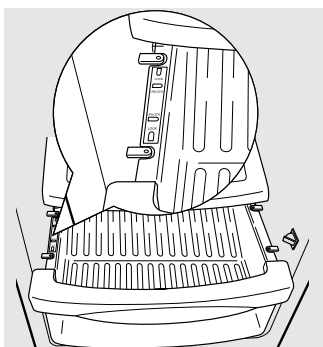
If the door prevents you from taking out the drawers, first try to remove the door bins. If this does not offer enough clearance, the refrigerator will need to be rolled forward until the door opens enough to slide the drawers out. In some cases, when you roll the refrigerator out, you will need to move the refrigerator to the left or right as you roll it out.

To remove the bottom crisper:

- 1 Pull the drawer out to the stop position.
- 2 Rotate all four swing locks to the unlock position.
- 3 Lift the front of the drawer up and out.

To replace the bottom crisper:

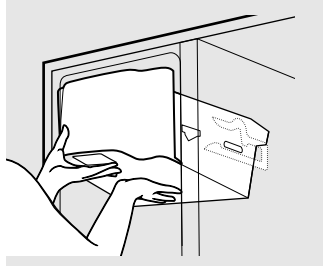
- 1 Make sure all four swing locks are in the unlock position.
- 2 Place the sides of the drawer into the drawer supports, making sure the swing locks fit on the drawer slots.
- 3 Lock all four swing locks by rotating them to the lock position.



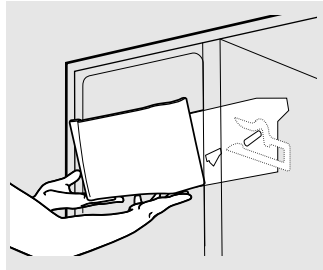
About the automatic icemaker.

A newly installed refrigerator may take 12 to 24 hours to begin making ice.

On dispenser models, to access ice or reach the power switch:



- 1 Lift the bin, then pull it forward until the bin stops.



- 2 Lower the bin to access ice or reach the power switch.

NOTE: In order to take full advantage of the tilt-out ice bin, only store items on the shelf below the ice bin that are no taller than the lowest point on the bin.

Automatic Icemaker

The icemaker will produce seven cubes per cycle—approximately 100–130 cubes in a 24-hour period, depending on freezer compartment temperature, room temperature, number of door openings and other use conditions.

If the refrigerator is operated before the water connection is made to the icemaker, set the power switch in the **0 (off)** position.

When the refrigerator has been connected to the water supply, set the power switch to the **1 (on)** position.

The icemaker will fill with water when it cools to 15°F (–10°C). A newly installed refrigerator may take 12 to 24 hours to begin making ice cubes.

You will hear a buzzing sound each time the icemaker fills with water.

Throw away the first few batches of ice to allow the water line to clear.

Be sure nothing interferes with the sweep of the feeler arm.

When the bin fills to the level of the feeler arm, the icemaker will stop producing ice. It is normal for several cubes to be joined together.

If ice is not used frequently, old ice cubes will become cloudy, taste stale and shrink.

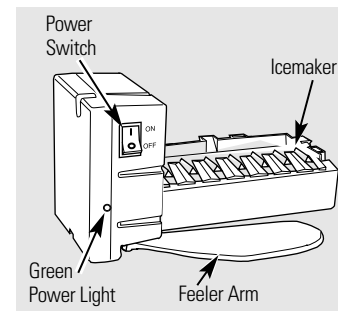
Special notes about dispenser models:

■ Dispenser models have a tilt-out ice bin. The bin can be tilted out as shown in the illustrations, and it will hold itself up while you take ice out or turn the icemaker power switch on and off. Be sure to put the bin back in place before closing the door.

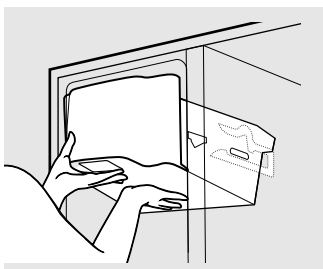
■ To restore your ice level from an empty bucket stage, the following steps are recommended:

- 1 12 hours after the first batch of ice has fallen into the bin, dispense 3 to 4 cubes.
- 2 After an additional 6 hours, dispense 3 to 4 cubes again.

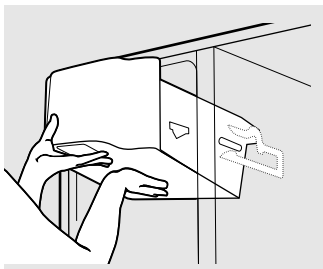
These steps will restore your ice level in the shortest amount of time.



NOTE: In homes with lower-than-average water pressure, you may hear the icemaker cycle multiple times when making one batch of ice.



- 1 Lift the bin, then pull it forward until the bin stops.



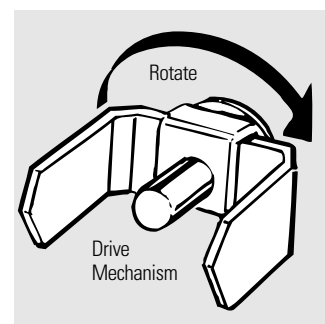
- 2 Lift and pull forward again to remove the bin.

Removing Ice Bin (dispenser models)

CAUTION: The ice bin is heavy when full.

Set the power switch to the **0 (off)** position before removing the bin.

When replacing the bin, be sure to press it firmly into place. If it does not go all the way back, remove it and rotate the drive mechanism 1/4 turn. Then push the bin back again.



Dispenser Models only

On some models



To Use the Dispenser

Select **CUBED ICE** , **CRUSHED ICE**  or **WATER** .

Press the glass gently against the top of the dispenser cradle.

The spill shelf is not self-draining. To reduce water spotting, the shelf and its grille should be cleaned regularly.

If no water is dispensed when the refrigerator is first installed, there may be air in the water line system. Press the dispenser arm for at least two minutes to remove trapped air from the water line and to fill the water system. To flush out impurities in the water line, throw away the first six glassfuls of water.

CAUTION: Never put fingers or any other objects into the ice crusher discharge opening.

Locking the Dispenser



Press the **LOCK CONTROL** pad for 3 seconds to lock the dispenser and control panel. To unlock, press and hold the pad again for 3 seconds.

Dispenser Light



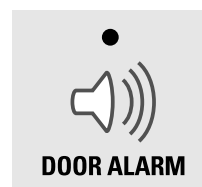
This pad turns the **night light** in the dispenser on and off. The light also comes on when the dispenser cradle is pressed. If this light burns out, it should be replaced with a 6 watt 12 V maximum bulb.

Quick Ice



When you need ice in a hurry, press this pad to speed up ice production. This will increase ice production for the following 48 hours or until you press the pad again.

Door Alarm

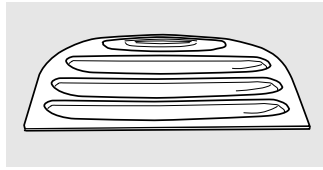


To set the alarm, press this pad until the indicator light comes on. This alarm will sound if either door is open for more than 3 minutes. The light goes out and the beeping stops when you close the door.

Important Facts About Your Dispenser

- Do not add ice from trays or bags to the storage drawer. It may not crush or dispense well.
- Avoid overfilling glass with ice and use of narrow glasses. Backed-up ice can jam the chute or cause the door in the chute to freeze shut. If ice is blocking the chute, poke it through with a wooden spoon.
- Beverages and foods should not be quick-chilled in the ice storage drawer. Cans, bottles or food packages in the storage drawer may cause the icemaker or auger to jam.
- To keep dispensed ice from missing the glass, put the glass close to, but not touching, the dispenser opening.
- Some crushed ice may be dispensed even though you selected **CUBED ICE**. This happens occasionally when a few cubes accidentally get directed to the crusher.
- After crushed ice is dispensed, some water may drip from the chute.
- Sometimes a small mound of snow will form on the door in the ice chute. This condition is normal and usually occurs when you have dispensed crushed ice repeatedly. The snow will eventually evaporate.

Care and cleaning of the refrigerator.



Dispenser drip area.

Cleaning the Outside

The dispenser drip area, (on some models) beneath the grille, should be wiped dry. Water left in this area may leave deposits. Remove the deposits by adding undiluted vinegar to the well. Soak until the deposits disappear or become loose enough to rinse away.

The dispenser cradle (on some models). Before cleaning, lock the dispenser by pressing and holding the **LOCK CONTROL** pad for 3 seconds. Clean with warm water and baking soda solution—about a tablespoon (15 ml) of baking soda to a quart (1 liter) of water. Rinse thoroughly and wipe dry.

The door handles and trim. Clean with a cloth dampened with soapy water. Dry with a soft cloth.

The stainless steel panels and door handles (on some models) can be cleaned with a commercially available stainless steel cleaner such as *Stainless Steel Magic*.™

Stainless Steel Magic is available at Ace, True Value, Servistar, HWI and other leading stores. It is also available through GE Parts and Accessories, 800.626.2002. Order part number WX10X15.

Do not use appliance wax or polish on the stainless steel.

Keep the outside clean. Wipe with a clean cloth lightly dampened with kitchen appliance wax or mild liquid dish detergent. Dry and polish with a clean, soft cloth.

Do not wipe the refrigerator with a soiled dish cloth or wet towel. These may leave a residue that can erode the paint. Do not use scouring pads, powdered cleaners, bleach or cleaners containing bleach because these products can scratch and weaken the paint finish.

Cleaning the Inside

To help prevent odors, leave an open box of baking soda in the fresh food and freezer compartments.

Unplug the refrigerator before cleaning. If this is not practical, wring excess moisture out of sponge or cloth when cleaning around switches, lights or controls.

Use warm water and baking soda solution—about a tablespoon (15 ml) of baking soda to a quart (1 liter) of water. This both cleans and neutralizes odors. Rinse and wipe dry.

Use of any cleaning solution other than that which is recommended, especially those that contain petroleum distillates, can crack or damage the interior of the refrigerator.

Avoid cleaning cold glass shelves with hot water because the extreme temperature difference may cause them to break. Handle glass shelves carefully. Bumping tempered glass can cause it to shatter.

Do not wash any plastic refrigerator parts in the dishwasher.

Behind the Refrigerator

Be careful when moving the refrigerator away from the wall. All types of floor coverings can be damaged, particularly cushioned coverings and those with embossed surfaces.

Pull the refrigerator straight out and return it to position by pushing it straight in. Moving the refrigerator in a side direction may result in damage to the floor covering or refrigerator.

When pushing the refrigerator back, make sure you don't roll over the power cord or icemaker supply line (on some models).

Preparing for Vacation

For long vacations or absences, remove food and unplug the refrigerator. Clean the interior with a baking soda solution of one tablespoon (15 ml) of baking soda to one quart (1 liter) of water. Leave the doors open.

Set the icemaker power switch to the **O (off)** position and shut off the water supply to the refrigerator.

If the temperature can drop below freezing, have a qualified servicer drain the water supply system (on some models) to prevent serious property damage due to flooding.

Preparing to Move

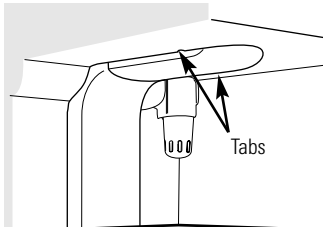
Secure all loose items such as shelves and drawers by taping them securely in place to prevent damage.

When using a hand truck to move the refrigerator, do not rest the front or back of the refrigerator against the hand truck. This could damage the refrigerator. Handle only from the sides of the refrigerator.

Be sure the refrigerator stays in an upright position during moving.

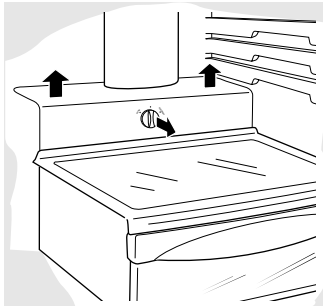
Replacing the light bulbs.

Setting the controls to **OFF** does not remove power to the light circuit.



Refrigerator Compartment—Upper Light

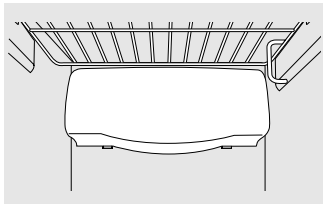
- 1 Unplug the refrigerator.
- 2 The bulbs are located at the top of the compartment, inside the light shield. On some models, a screw at the front of the light shield will have to be removed.
- 3 To remove the light shield, on some models, press in on the tabs on the sides of the shield and slide forward and out. On other models, just slide forward and out.
- 4 After replacing the bulb with an appliance bulb of the same or lower wattage, replace the light shield and screws (on some models). When replacing the light shield, make sure that the tabs at the back of the shield fit into the slots at the back of the light shield housing.
- 5 Plug the refrigerator back in.



Refrigerator Compartment—Lower Light

This light is located above the top drawer.

- 1 Unplug the refrigerator.
- 2 Remove the convertible meat drawer control knob by pulling straight out.
- 3 Lift the light shield up and pull it out.
- 4 After replacing the bulb with an appliance bulb of the same or lower wattage, replace the shield and the knob.
- 5 Plug the refrigerator back in.



Freezer Compartment

- 1 Unplug the refrigerator.
- 2 Remove the shelf just above the light shield. (The shelf will be easier to remove if it is emptied first.) On some models, a screw at the top of the light shield will need to be removed.
- 3 To remove the light shield, press in on the sides, and lift up and out.
- 4 Replace the bulb with an appliance bulb of the same or lower wattage, and reinstall the light shield. When reinstalling the light shield, make sure the top tabs snap securely into place. Replace the screw (on some models).
- 5 Reinstall the shelf and plug the refrigerator back in.

Dispenser (on some models)

- 1 Unplug the refrigerator.
- 2 The bulb is located on the dispenser under the control panel. Remove the light bulb by turning it counterclockwise.
- 3 Replace the bulb with a bulb of the same size and wattage.
- 4 Plug the refrigerator back in.

Trim kits and decorator panels.

For CustomStyle™ models



Read these instructions completely and carefully.

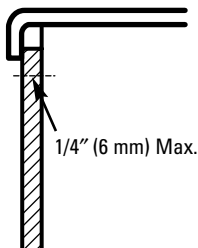
Before You Begin

Some models are equipped with trim kits that allow you to install door panels. You can order pre-cut black, white, bisque or stainless steel decorator panels from GE Parts and Accessories, 800.626.2002, or you can add wood panels to match your kitchen cabinets.

Panels less than 1/4" (6 mm) thick

When installing wood panels less than 1/4" (6 mm) thick, you need to create a filler panel, such as 1/8" (3 mm) cardboard, that will fit between the face of the door and the wood panel. If you are installing the pre-cut decorator panels, pre-cut filler panels are included in the kit. The combined thickness of the decorator or wood panel and the filler panel should be 1/4" (6 mm).

Panels 1/4" (6 mm) thick or less



3/4" (19 mm) or Raised Panel

A raised panel design screwed or glued to a 1/4" (6 mm) thick backing, or a 3/4" (19 mm) routed board can be used. The raised portion of the panel must be fabricated to permit clearances of at least 2" (5.1 cm) from the handle side for fingertip clearance.

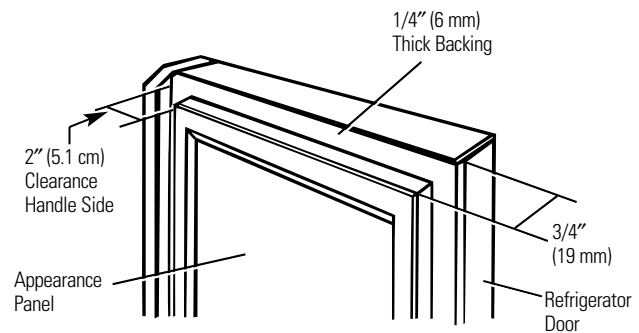
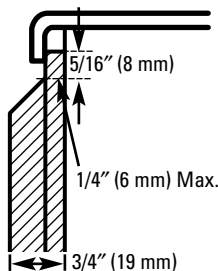
Panels thicker than 1/4" (6 mm), up to 3/4" (19 mm) maximum, will require that the outer 5/16" (8 mm) of panel perimeter be no thicker than 1/4" (6 mm).

Weight limitations for custom panels:

Fresh Food 38 lbs. (17 kg) max.

Freezer Door 28 lbs. (13 kg) max.

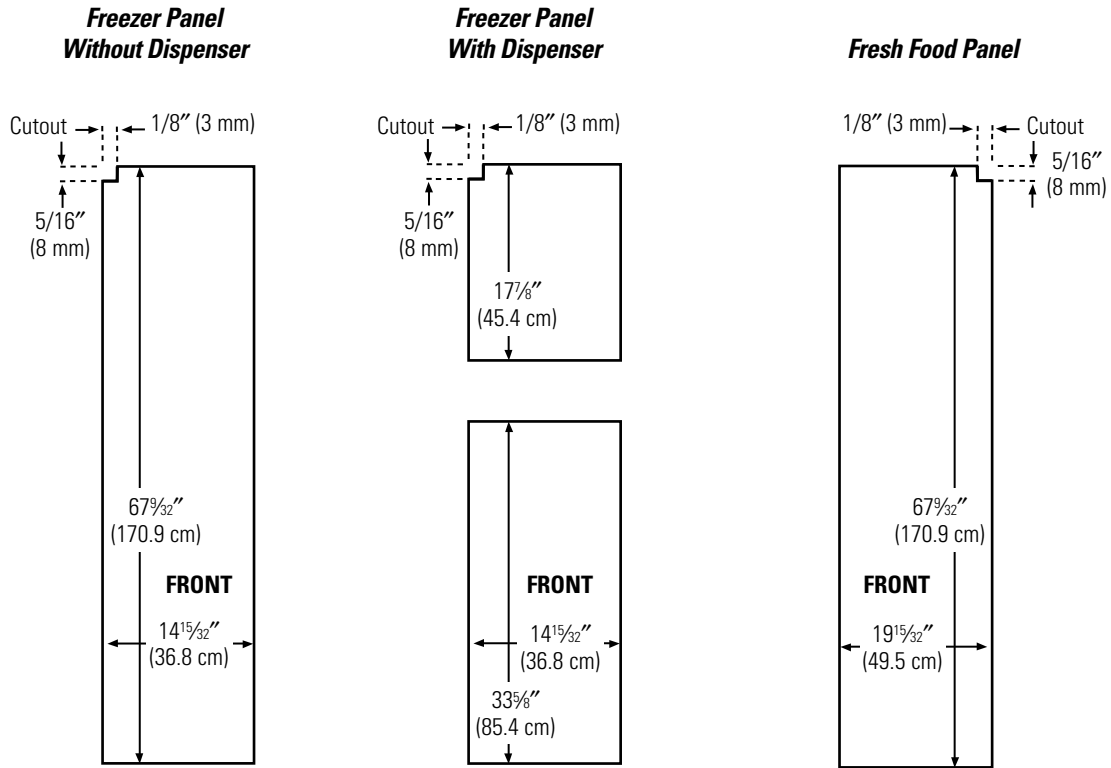
Panels thicker than 1/4" (6 mm)



Trim kits and decorator panels.

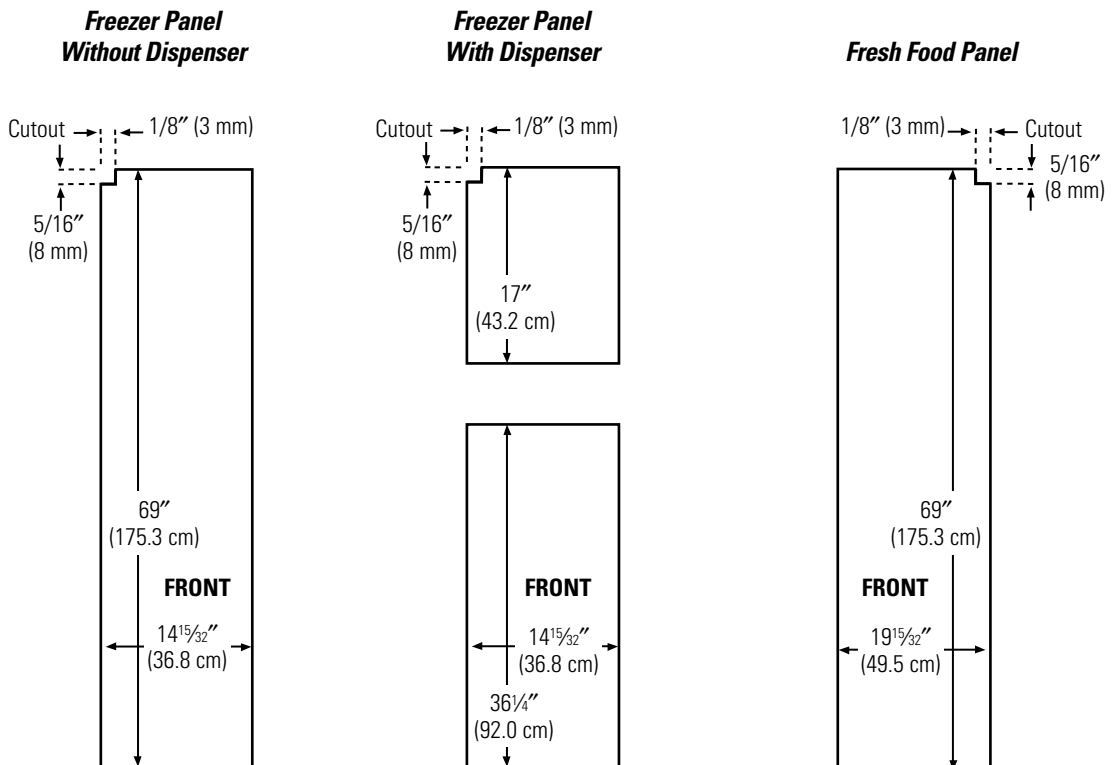
23' Dimensions for Custom Wood Panels

The areas at the top of the panels need to be cut out of the panels.



25' CustomStyle™ Dimensions for Custom Wood Panels

The areas at the top of the panels need to be cut out of the panels.



Inserting the door panels.

Read these instructions completely and carefully.

1 Insert the Freezer Panel and Fresh Food Panel.

Carefully push the freezer panel in until it slides into the slot behind the door handle. Push the filler panel (required with some door panels) in behind the decorator panel. Repeat for fresh food panel.

If your model has a dispenser, this step only applies to the fresh food panel and top freezer panel.

2 Insert the Bottom Freezer Panel (on dispenser models).

Carefully push the panel in until it slides into the slot behind the door handle. Push the filler panel

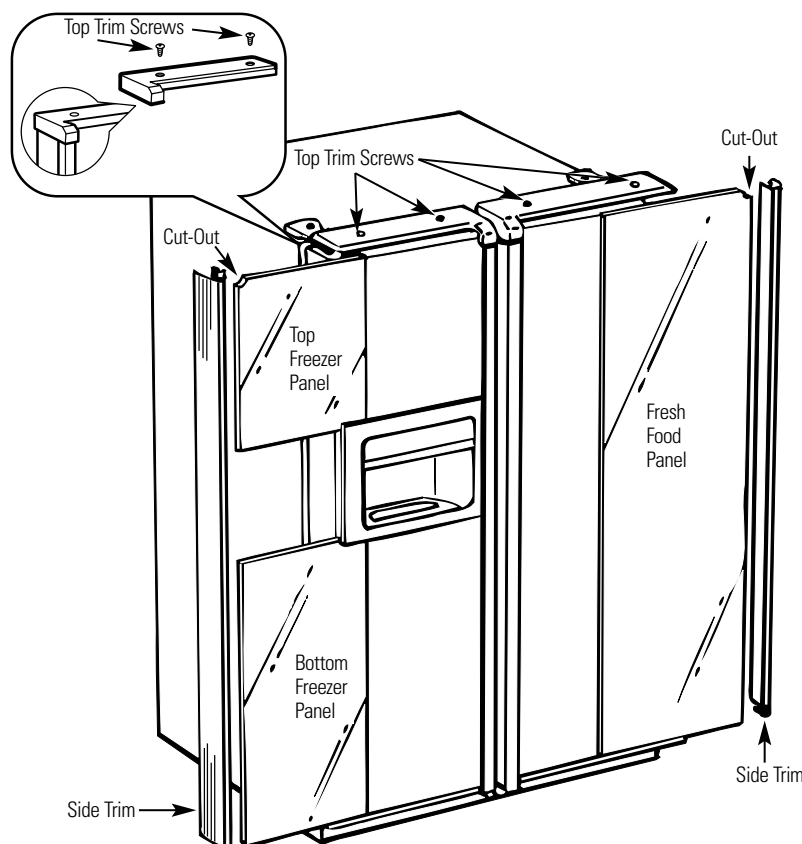
(required with some door panels) in behind the decorator panel.

3 Attach the Top Trim on the Freezer and Fresh Food Doors.

The Top Trim can be found inside the refrigerator compartment.

With a T-20 Torxdriver, attach the Top Trim, using two screws on each Top Trim piece, to the top of

each door. Hand tighten only. Make sure that the top of each panel fits snugly behind the lip of the Top Trim.



Inserting the door panels.

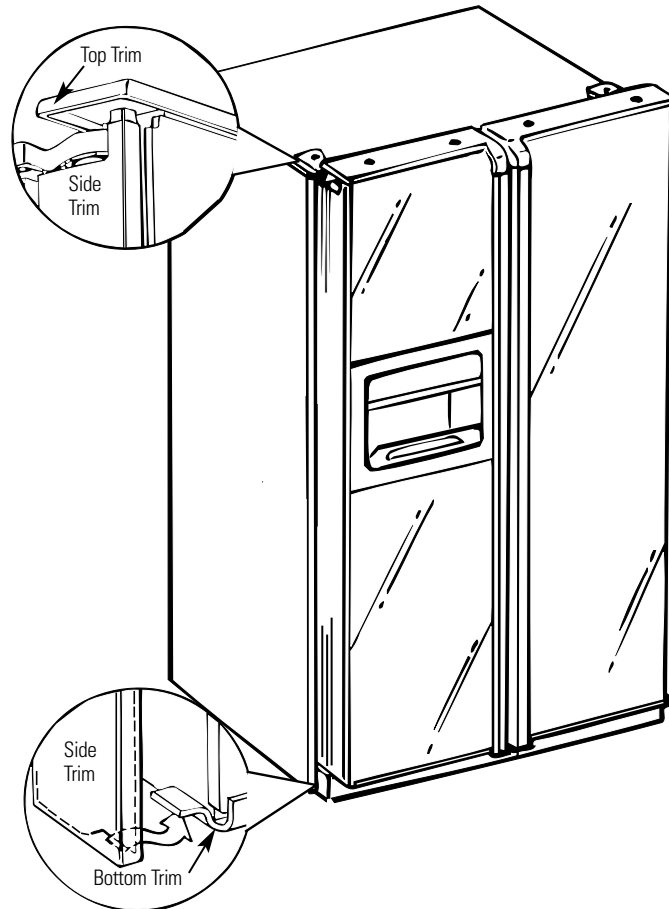
4 Install the Side Trim.

These pieces are tucked inside the refrigerator door handle.

Do not remove the protective film on the outside of the Side Trim until the Side Trim is installed.

Fit the bottom of the Side Trim under the Bottom Trim as illustrated.

Hold the Side Trim against the front face of the decorator panels and fit the Side Trim under the Top Trim. Make sure the magnetically attached Side Trim is fitted correctly and that you are satisfied with the appearance of all the parts.



Installation Instructions

Refrigerator

Models 23, 25, 26, 27 & 29

Questions? Call 800.GE.CARES (800.432.2737) or Visit our Website at: GEAppliances.com
In Canada, call 1.800.361.3400 or Visit our Website at: geappliances.ca

BEFORE YOU BEGIN

Read these instructions completely and carefully.

- **IMPORTANT** — Save these instructions for local inspector's use.
- **IMPORTANT** — Observe all governing codes and ordinances.
- **Note to Installer** – Be sure to leave these instructions with the Consumer.
- **Note to Consumer** – Keep these instructions for future reference.
- **Skill level** – Installation of this appliance requires basic mechanical skills.
- **Completion time** – Refrigerator Installation
30 minutes
Water Line Installation
30 minutes
- Proper installation is the responsibility of the installer.
- Product failure due to improper installation is not covered under the Warranty.

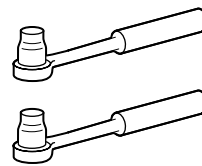
If the refrigerator has already been installed, remove the base grille (see Step 2 in *Moving the Refrigerator*), then skip to Step 5 in *Installing the Refrigerator*.

PREPARATION

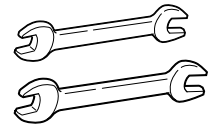
WATER SUPPLY TO THE ICEMAKER

If the refrigerator has an icemaker, it will have to be connected to a cold water line. A GE water supply kit (containing tubing, shutoff valve, fittings and instructions) is available at extra cost from your dealer, by visiting our Website at GEAppliances.com (in Canada at geappliances.ca) or from Parts and Accessories, 800.626.2002 (in Canada 1.888.261.3055).

TOOLS YOU WILL NEED



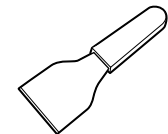
3/8" and 5/16" Socket



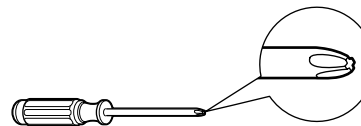
1/2" and 7/16" Wrench



1/8" Hex Wrench



Plastic Putty Knife



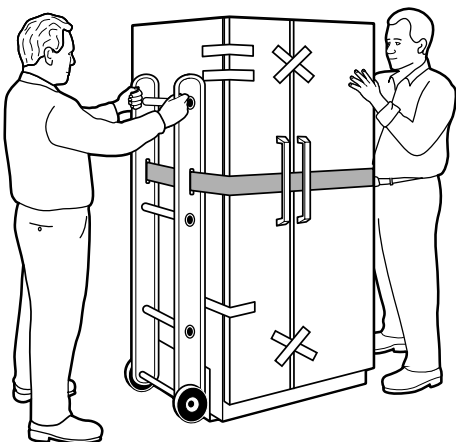
Phillips Head Screwdriver

Installation Instructions

MOVING THE REFRIGERATOR

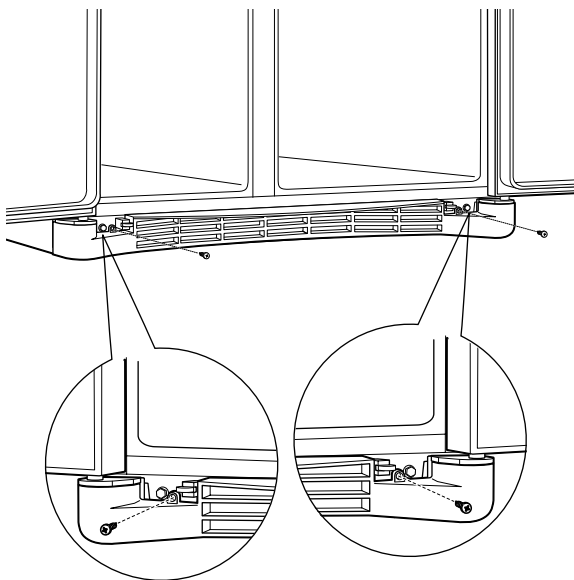
1 LOADING THE REFRIGERATOR ONTO A HAND TRUCK

Leave all tape and door pads on doors until the refrigerator is in its final location. To move the refrigerator, use a padded hand truck. Center the refrigerator on the hand truck and secure the strap around the refrigerator. **DO NOT OVERTIGHTEN THE STRAP.**



2 REMOVE THE BASE GRILLE

Remove the grille by removing the two Phillips head screws.



If the refrigerator must go through any entrance that is less than 38" wide, the doors must be removed. Proceed to Step 3.

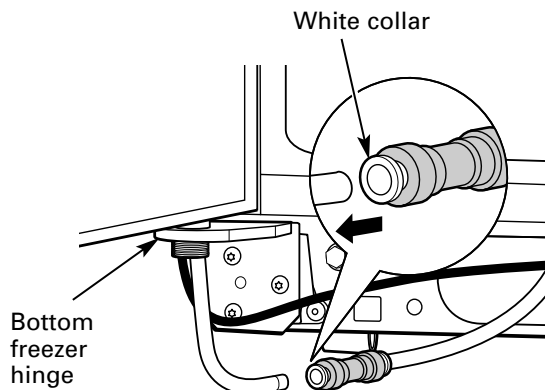
DO NOT remove the handles.

If all entrances are more than 38" wide, skip to *Installing the Refrigerator*.

3 DISCONNECT THE WATER COUPLING (on some models)

If the refrigerator has a water dispenser, there is a water line from the cabinet into the bottom hinge on the freezer door that must be disconnected.

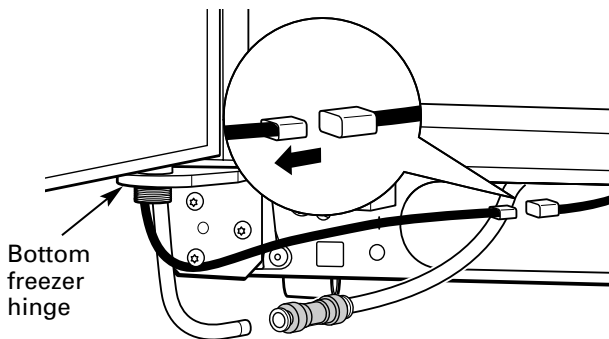
To disconnect, push in on the white collar of the coupling and pull out the tubing.



Installation Instructions

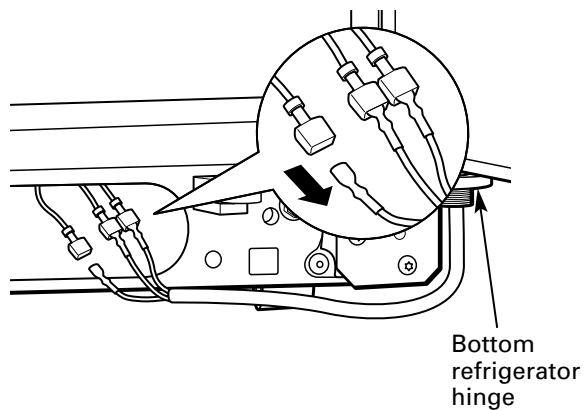
4 DISCONNECT THE POWER COUPLING (on some models)

If the refrigerator has a water dispenser, there is a power line (harness) from the cabinet into the bottom hinge on the freezer door that must be disconnected. To disconnect, pull apart at the coupling.

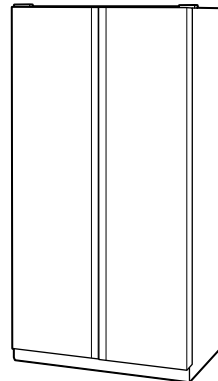


5 DISCONNECT THE ELECTRICAL CONNECTORS (on some models)

If the refrigerator has a refreshment center, there are electrical connectors (harnesses) from the cabinet into the bottom hinge on the refrigerator door that must be disconnected. To disconnect, pull apart each connector.

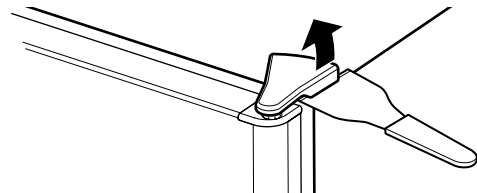


6 CLOSE THE FREEZER AND REFRIGERATOR DOORS

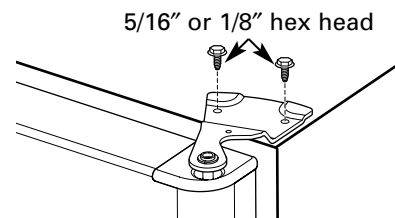


7 REMOVE THE FREEZER DOOR

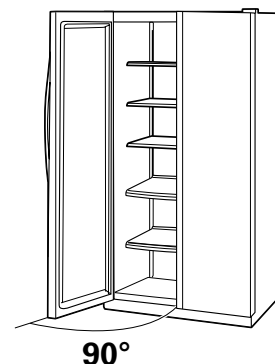
- A** Remove the freezer door top hinge cover (if equipped) by either squeezing it and pulling it up or by prying it off with a plastic putty knife.



- B** Remove the two 5/16" or 1/8" hex head screws, then lift the hinge straight up to free the hinge pin.



- C** Open the freezer door to 90°.

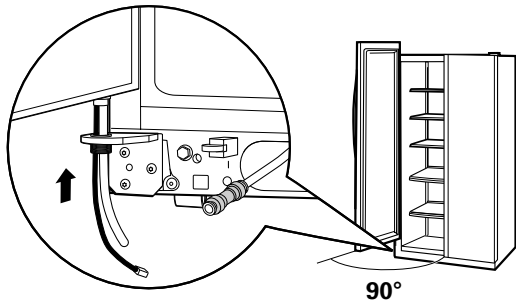


Installation Instructions

MOVING THE REFRIGERATOR (CONT.)

7 REMOVE THE FREEZER DOOR (cont.)

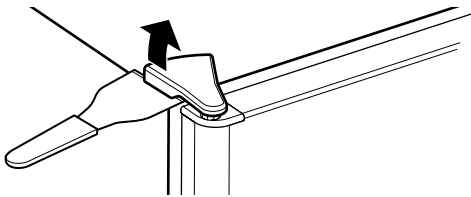
- D** As one person slowly lifts the freezer door up and off the bottom hinge, the second person should carefully guide the water line and power line (harness) through the bottom hinge.



- E** Set the door on a non-scratching surface with the inside up.

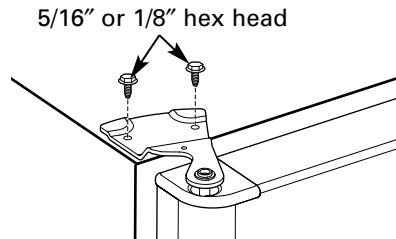
8 REMOVE THE REFRIGERATOR DOOR

- A** Remove the refrigerator door top hinge cover (if equipped) by either squeezing it and pulling it up or by prying it off with a plastic putty knife.

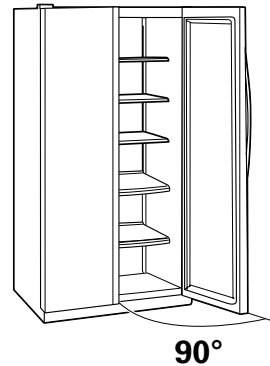


8 REMOVE THE REFRIGERATOR DOOR (cont.)

- B** Remove the two 5/16" or 1/8" hex head screws, then lift the hinge straight up to free the hinge pin.



- C** Open the refrigerator door to 90°

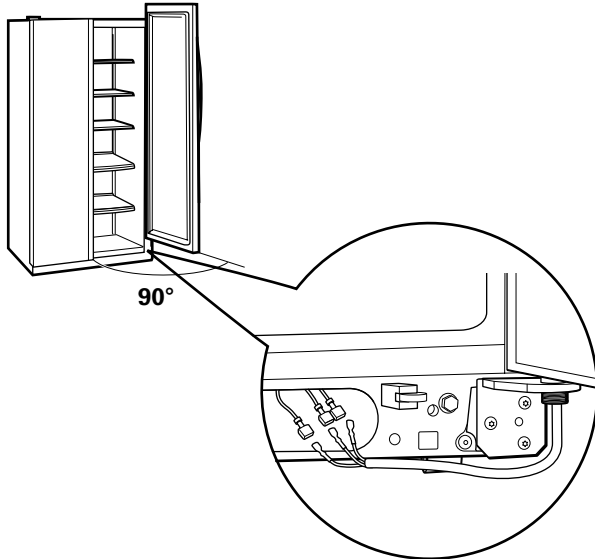


Installation Instructions

8 REMOVE THE REFRIGERATOR DOOR (cont.)

- D** Lift the refrigerator door up and off the bottom hinge.

If the refrigerator has a refreshment center, one person should slowly lift the door up and off the bottom hinge and the second person should carefully guide the electrical lines (harnesses) through the bottom hinge.



Refreshment Center Models only

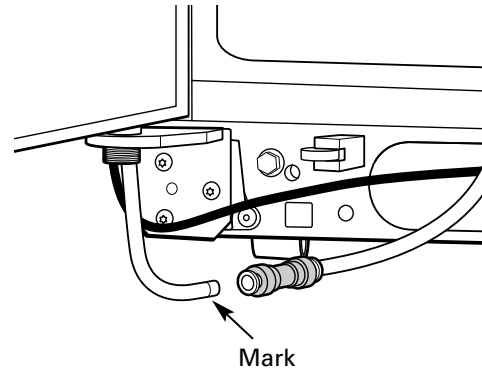
- E** Set the door on a non-scratching surface with the inside up.

9 REPLACING THE DOORS

To replace the doors, simply reverse steps 3 through 8.

However, please note the following:

- When lowering the doors onto the bottom hinges, make sure the second person carefully guides the tube and harnesses through the holes in the hinges.
- When connecting the water line, make sure you insert the tubing all the way to the mark.



- Do not pinch the tubing and harnesses when placing the doors on the bottom hinges.
- When connecting the power line and the electrical lines (refreshment center models only), be sure that the connectors are seated together fully.

Installation Instructions

INSTALLING THE REFRIGERATOR

REFRIGERATOR LOCATION

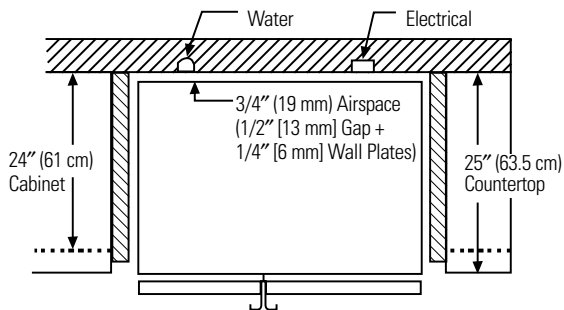
- Do not install the refrigerator where the temperature will go below 60°F (16°C) because it will not run often enough to maintain proper temperatures.
- Do not install the refrigerator where the temperature will go above 100°F (37°C) because it will not perform properly.
- Install it on a floor strong enough to support it fully loaded.

CLEARANCES

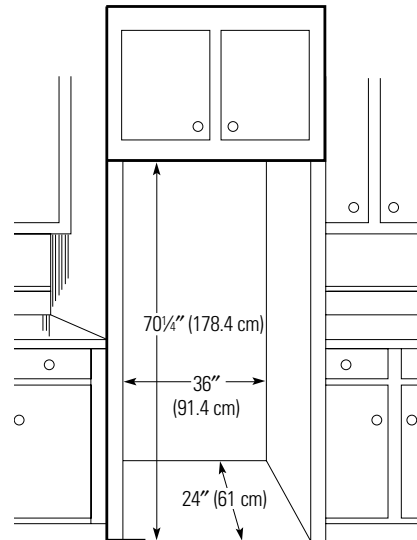
Allow the following clearances for ease of installation, proper air circulation and plumbing and electrical connections:

| | 23'/25' CustomStyle™ | 23' (33" wide), 25', 26', 27', 29' |
|--------------|----------------------|---------------------------------------|
| Sides | 1/8" (4 mm) | 1/8" (4 mm) |
| Top | 1" (25 mm) | 1" (25 mm) |
| Back | 1/2" (13 mm) | 1" (25 mm) |

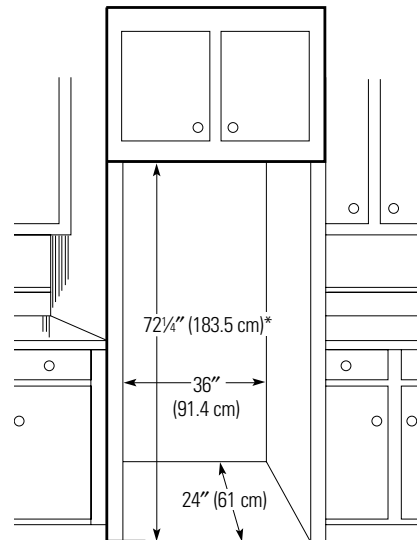
DIMENSIONS AND SPECIFICATIONS



DIMENSIONS AND SPECIFICATIONS (for 23' CustomStyle™ models)



DIMENSIONS AND SPECIFICATIONS (for 25' CustomStyle™ models)



*72 1/4" (183.5 cm) required for full adjustment of mobility wheels. If cabinets installed above refrigerator have doors that are flush to the top of the opening for the refrigerator, then an additional 1/8" may be required to provide clearance for cabinet doors to open freely.

Installation Instructions

1 CONNECTING THE REFRIGERATOR TO THE HOUSE WATER LINE (icemaker and dispenser models)

A cold water supply is required for automatic icemaker and dispenser operation. If there is not a cold water supply, you will need to provide one. See "Installing the Water Line" section.

NOTES:

- Before making the connection to the refrigerator, be sure the refrigerator power cord is not plugged into the wall outlet.
- If your refrigerator does not have a water filter, we recommend installing one if your water supply has sand or particles that could clog the screen of the refrigerator's water valve. Install it in the water line near the refrigerator. If using GE SmartConnect™ Refrigerator Tubing Kit, you will need an additional tube (WX08X10002) to connect the filter. Do not cut plastic tube to install filter.

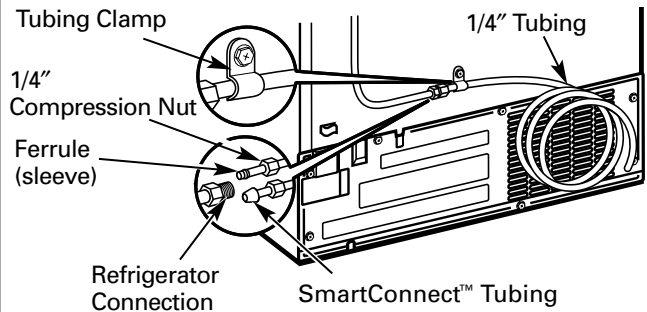
A If you are using copper tubing, place a compression nut and ferrule (sleeve) onto the end of the tubing coming from the house cold water supply.

If you are using the GE SmartConnect™ tubing, the nuts are already assembled to the tubing.

B If you are using copper tubing, insert the end of the tubing into the refrigerator connection, at the back of the refrigerator, as far as possible. While holding the tubing, tighten the fitting.

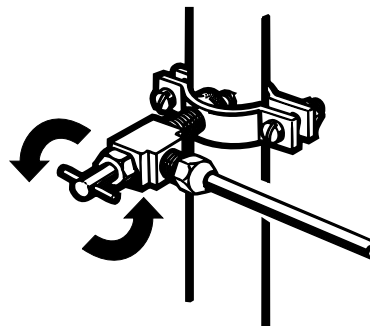
If you are using GE SmartConnect™ tubing, insert the molded end of the tubing into the refrigerator connection, at the back of the refrigerator, and tighten the compression nut until it is hand tight. Then tighten one additional turn with a wrench. Overtightening may cause leaks.

C Fasten the tubing into the clamp provided to hold it in position. You may need to pry open the clamp.



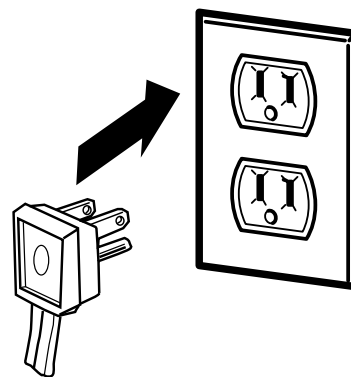
2 TURN ON THE WATER SUPPLY

Turn the water on at the shutoff valve (house water supply) and check for any leaks.



3 PLUG IN THE REFRIGERATOR

Before plugging in the refrigerator, make sure the icemaker power switch is set to the **O (off)** position.



See the grounding information attached to the power cord.

Installation Instructions

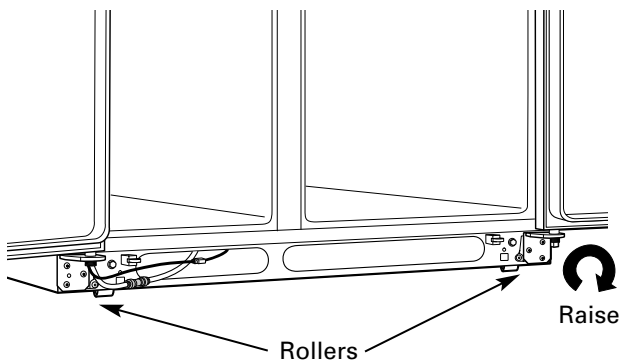
INSTALLING THE REFRIGERATOR (CONT.)

4 PUT THE REFRIGERATOR IN PLACE

Move the refrigerator to its final location.

5 LEVEL THE REFRIGERATOR

The refrigerator can be leveled by adjusting the rollers located near the bottom hinges.

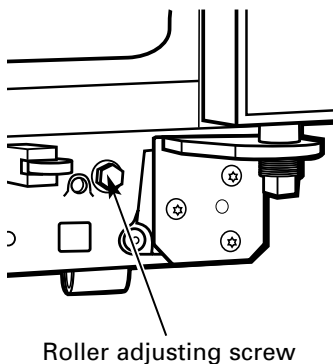


Rollers have three purposes:

- Rollers adjust so the door closes easily when opened about halfway. (Raise the front about 5/8" [16 mm] from the floor.)
- Rollers adjust so the refrigerator is firmly positioned on the floor and does not wobble.
- Rollers allow you to move the refrigerator away from the wall for cleaning.

To adjust the rollers on 23' (33" wide), 25', 26', 27' and 29' models:

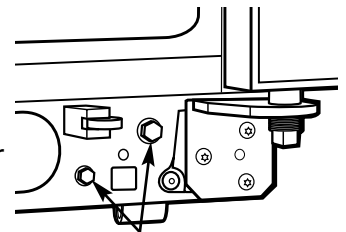
- Turn the roller adjusting screws **clockwise to raise** the refrigerator, **counterclockwise to lower** it. Use a 3/8" hex socket or wrench, or an adjustable wrench.



5 LEVEL THE REFRIGERATOR (cont.)

To adjust the rollers on 23'/25' CustomStyle™ models:

Turn the front roller adjusting screws **clockwise to raise** the refrigerator, **counterclockwise to lower** it. Use a 3/8" hex wrench with extension, or an adjustable wrench.



These models also have rear adjustable rollers so you can align the refrigerator with your kitchen cabinets. Use a 3/8" hex wrench with extension to turn the screws for the rear rollers—**clockwise to raise** the refrigerator, **counterclockwise to lower** it.

6 LEVEL THE DOORS

Adjust the refrigerator door to make the doors even at the top.

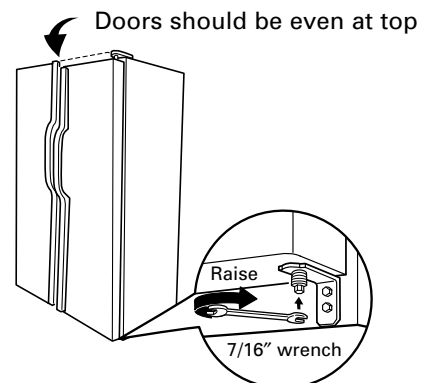
To align:

- A** Using a 7/16" wrench, turn the door adjusting screw to the right to raise the door, to the left to lower it.

NOTE:

A nylon plug, imbedded in the threads of the pin, prevents the pin from turning unless a wrench is used.

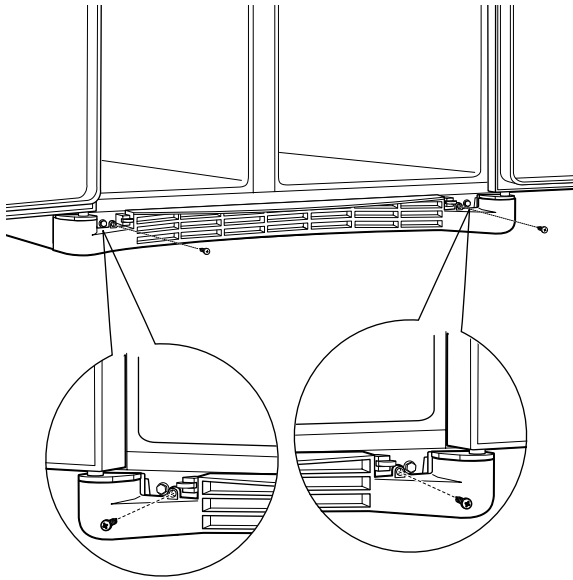
- B** After one or two turns of the wrench, open and close the refrigerator door and check the alignment at the top of the doors.



Installation Instructions

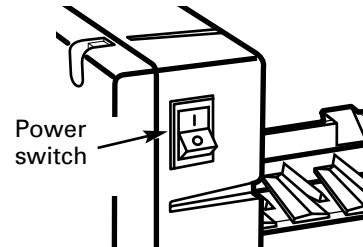
7 REPLACE THE BASE GRILLE

Replace the grille by installing the two Phillips head screws.



9 START THE ICEMAKER

Set the icemaker power switch to the **I (on)** position. The icemaker will not begin to operate until it reaches its operating temperature of 15°F (-9°C) or below. It will then begin operation automatically. It will take 2–3 days to fill the ice bin.

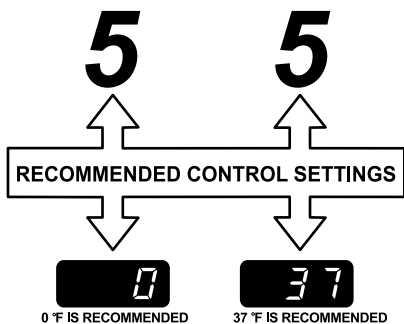


NOTE:

In lower water pressure conditions, the water valve may turn on up to 3 times to deliver enough water to the icemaker.

8 SET THE CONTROLS

Set the controls to the recommended setting.



Installation Instructions

INSTALLING THE WATER LINE (ICEMAKER & DISPENSER MODELS)

BEFORE YOU BEGIN

Recommended copper water supply kits are WX8X2, WX8X3 or WX8X4, depending on the amount of tubing you need. Approved plastic water supply lines are GE SmartConnect™ Refrigerator Tubing (WX08X10002, WX08X10006, WX08X10015 and WX08X10025).

When connecting your refrigerator to a GE Reverse Osmosis Water System, the only approved installation is with a GE RVKit. For other reverse osmosis water systems, follow the manufacturer's recommendations.

If the water supply to the refrigerator is from a Reverse Osmosis Water Filtration System AND the refrigerator also has a water filter, use the refrigerator's filter bypass plug. Using the refrigerator's water filtration cartridge in conjunction with the RO filter can result in hollow ice cubes and slower water flow from the water dispenser.

This water line installation is not warranted by the refrigerator or icemaker manufacturer. Follow these instructions carefully to minimize the risk of expensive water damage.

Water hammer (water banging in the pipes) in house plumbing can cause damage to refrigerator parts and lead to water leakage or flooding. Call a qualified plumber to correct water hammer before installing the water supply line to the refrigerator.

To prevent burns and product damage, do not hook up the water line to the hot water line.

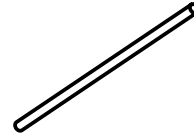
If you use your refrigerator before connecting the water line, make sure the icemaker power switch is in the **O (off)** position.

Do not install the icemaker tubing in areas where temperatures fall below freezing.

When using any electrical device (such as a power drill) during installation, be sure the device is double insulated or grounded in a manner to prevent the hazard of electric shock, or is battery powered.

All installations must be in accordance with local plumbing code requirements.

WHAT YOU WILL NEED



- **Copper or GE SmartConnect™ Refrigerator Tubing kit**, 1/4" outer diameter to connect the refrigerator to the water supply. If using copper, be sure both ends of the tubing are cut square.

To determine how much tubing you need: measure the distance from the water valve on the back of the refrigerator to the water supply pipe. Then add 8' (2.4 m). Be sure there is sufficient extra tubing (about 8' [2.4 m] coiled into 3 turns of about 10" [25 cm] diameter) to allow the refrigerator to move out from the wall after installation.

GE SmartConnect™ Refrigerator Tubing Kits are available in the following lengths:

2' (0.6 m) – WX08X10002

6' (1.8 m) – WX08X10006

15' (4.6 m) – WX08X10015

25' (7.6 m) – WX08X10025

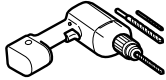
Be sure that the kit you select allows at least 8' (2.4 m) as described above.

Installation Instructions

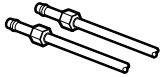
WHAT YOU WILL NEED (CONT.)

NOTE: The only GE approved plastic tubing is that supplied in GE SmartConnect™ Refrigerator Tubing kits. Do not use any other plastic water supply line because the line is under pressure at all times. Certain types of plastic will crack or rupture with age and cause water damage to your home.

- A **GE water supply kit** (containing tubing, shutoff valve and fittings listed below) is available at extra cost from your dealer or from Parts and Accessories, 800.626.2002 (in Canada 1.888.261.3055).
- A **cold water supply**. The water pressure must be between 20 and 120 p.s.i. (1.4–8.1 bar).



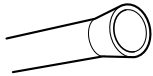
- **Power drill.**
- **1/2" or adjustable wrench.**
- **Straight and Phillips blade screwdriver.**



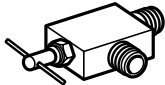
- **Two 1/4" outer diameter compression nuts and 2 ferrules (sleeves)**—to connect the copper tubing to the shutoff valve and the refrigerator water valve.

OR

- If you are using a GE SmartConnect™ Refrigerator Tubing kit, the necessary fittings are preassembled to the tubing.



- If your existing copper water line has a flared fitting at the end, you will need an **adapter** (available at plumbing supply stores) to connect the water line to the refrigerator **OR** you can cut off the flared fitting with a **tube cutter** and then use a compression fitting. Do not cut formed end from GE SmartConnect™ Refrigerator tubing.



- **Shutoff valve** to connect to the cold water line. The shutoff valve should have a water inlet with a minimum inside diameter of 5/32" at the point of connection to the **COLD WATER LINE**. Saddle-type shutoff valves are included in many water supply kits. Before purchasing, make sure a saddle-type valve complies with your local plumbing codes.

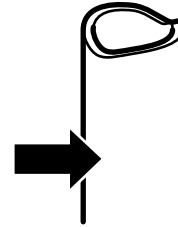
Install the shutoff valve on the nearest frequently used drinking water line.

1 SHUT OFF THE MAIN WATER SUPPLY

Turn on the nearest faucet long enough to clear the line of water.

2 CHOOSE THE VALVE LOCATION

Choose a location for the valve that is easily accessible. It is best to connect into the side of a vertical water pipe. When it is necessary to connect into a horizontal water pipe, make the connection to the top or side, rather than at the bottom, to avoid drawing off any sediment from the water pipe.

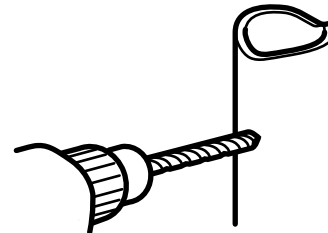


3 DRILL THE HOLE FOR THE VALVE

Drill a 1/4" hole in the water pipe (even if using a self-piercing valve), using a sharp bit. Remove any burrs resulting from drilling the hole in the pipe.

Take care not to allow water to drain into the drill.

Failure to drill a 1/4" hole may result in reduced ice production or smaller cubes.

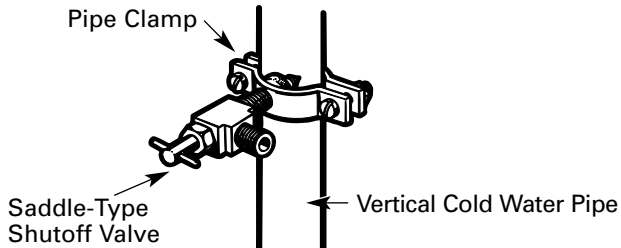


Installation Instructions

INSTALLING THE WATER LINE (CONT.)

4 FASTEN THE SHUTOFF VALVE

Fasten the shutoff valve to the cold water pipe with the pipe clamp.

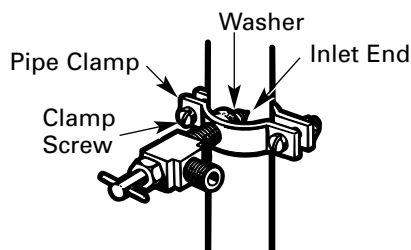


NOTE: Commonwealth of Massachusetts Plumbing Codes 248CMR shall be adhered to. Saddle valves are illegal and use is not permitted in Massachusetts. Consult with your licensed plumber.

5 TIGHTEN THE PIPE CLAMP

Tighten the clamp screws until the sealing washer begins to swell.

NOTE: Do not overtighten or you may crush the tubing.



6 ROUTE THE TUBING

Route the tubing between the cold water line and the refrigerator.

Route the tubing through a hole drilled in the wall or floor (behind the refrigerator or adjacent base cabinet) as close to the wall as possible.

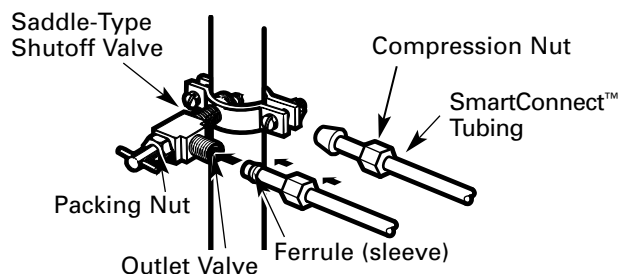
NOTE: Be sure there is sufficient extra tubing (about 8' [2.4 m] coiled into 3 turns of about 10" [25 cm] diameter) to allow the refrigerator to move out from the wall after installation.

7 CONNECT THE TUBING TO THE VALVE

Place the compression nut and ferrule (sleeve) for copper tubing onto the end of the tubing and connect it to the shutoff valve.

Make sure the tubing is fully inserted into the valve. Tighten the compression nut securely.

For plastic tubing from a GE SmartConnect™ Refrigerator Tubing kit, insert the molded end of the tubing into the shutoff valve and tighten compression nut until it is hand tight, then tighten one additional turn with a wrench. Overtightening may cause leaks.

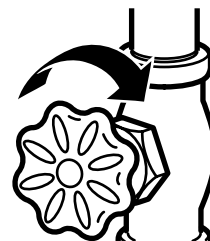


NOTE: Commonwealth of Massachusetts Plumbing Codes 248CMR shall be adhered to. Saddle valves are illegal and use is not permitted in Massachusetts. Consult with your licensed plumber.

8 FLUSH OUT THE TUBING

Turn the main water supply on and flush out the tubing until the water is clear.

Shut the water off at the water valve after about one quart (1 liter) of water has been flushed through the tubing.



To complete the installation of the refrigerator, go back to Step 1 in *Installing the Refrigerator*.



Newer refrigerators sound different from older refrigerators. Modern refrigerators have more features and use newer technology.

Do you hear what I hear? These sounds are normal.

HUMMM... WHOOSH...

- The new high efficiency compressor may run faster and longer than your old refrigerator and you may hear a high-pitched hum or pulsating sound while it is operating.
- Sometimes the refrigerator runs for an extended period, especially when the doors are opened frequently. This means that the **Frost Guard™** feature is working to prevent freezer burn and improve food preservation.
- You may hear a whooshing sound when the doors close. This is due to pressure equalizing within the refrigerator.



- You may hear the fans spinning at high speeds. This happens when the refrigerator is first plugged in, when the doors are opened frequently or when a large amount of food is added to the refrigerator or freezer compartments. The fans are helping to maintain the correct temperatures.
- If either door is open for over 3 minutes, you may hear the fans come on in order to cool the light bulbs.
- The fans change speeds in order to provide optimal cooling and energy savings.

CLICKS, POPS, CRACKS and CHIRPS

- You may hear cracking or popping sounds when the refrigerator is first plugged in. This happens as the refrigerator cools to the correct temperature.
- Electronic dampers click open and closed to provide optimal cooling and energy savings.
- The compressor may cause a clicking or chirping sound when attempting to restart (this could take up to 5 minutes).
- The electronic control board may cause a clicking sound when relays activate to control refrigerator components.
- Expansion and contraction of cooling coils during and after defrost can cause a cracking or popping sound.
- On models with an icemaker, after an icemaking cycle, you may hear the ice cubes dropping into the ice bucket.

WATER SOUNDS



- The flow of refrigerant through the freezer cooling coils may make a gurgling noise like boiling water.
- Water dropping on the defrost heater can cause a sizzling, popping or buzzing sound during the defrost cycle.
- A water dripping noise may occur during the defrost cycle as ice melts from the evaporator and flows into the drain pan.
- Closing the door may cause a gurgling sound due to pressure equalization.



For additional information on normal icemaker and dispenser operating sounds, see the **About the automatic icemaker** and **About the ice and water dispenser** sections.

Before you call for service...



Troubleshooting Tips
Save time and money! Review the charts on the following pages first and you may not need to call for service.

| Problem | Possible Causes | What To Do |
|---|--|--|
| Refrigerator does not operate | Refrigerator in defrost cycle. | • Wait about 30 minutes for defrost cycle to end. |
| | Either or both controls set to 0 . | • Set the controls to a temperature setting. |
| | Refrigerator is unplugged. | • Push the plug completely into the outlet. |
| | The fuse is blown/circuit breaker is tripped. | • Replace fuse or reset the breaker. |
| | Refrigerator is in the showroom mode. | • Unplug the refrigerator and plug it back in. |
| Vibration or rattling (slight vibration is normal) | Rollers need adjusting. | • See <i>Rollers</i> . |
| Motor operates for long periods or cycles on and off frequently. (Modern refrigerators with more storage space and a larger freezer require more operating time. They start and stop often to maintain even temperatures.) | Normal when refrigerator is first plugged in. | • Wait 24 hours for the refrigerator to completely cool down. |
| | Often occurs when large amounts of food are placed in refrigerator. | • This is normal. |
| | Door left open. | • Check to see if package is holding door open. |
| | Hot weather or frequent door openings. | • This is normal. |
| | Temperature controls set at the coldest setting. | • See <i>About the controls</i> . |
| Refrigerator or freezer compartment too warm | Temperature control not set cold enough. | • See <i>About the controls</i> . |
| | Warm weather or frequent door openings. | • Set the temperature control one step colder. See <i>About the controls</i> . |
| | Door left open. | • Check to see if package is holding door open. |
| Frost or ice crystals on frozen food (frost within package is normal) | Door left open. | • Check to see if package is holding door open. |
| | Too frequent or too long door openings. | |
| Divider between refrigerator and freezer compartments feels warm | Automatic energy saver system circulates warm liquid around front edge of freezer compartment. | • This helps prevent condensation on the outside. |
| Automatic icemaker does not work | Icemaker power switch is in the 0 (off) position. | • Set the power switch to the I (on) position. |
| | Water supply turned off or not connected. | • See <i>Installing the water line</i> . |
| | Freezer compartment too warm. | • Wait 24 hours for the refrigerator to completely cool down. |
| | Piled up cubes in the storage bin cause the icemaker to shut off. | • Level cubes by hand. |
| | Ice cubes stuck in icemaker. (Green power light on icemaker blinking). | • Turn off the icemaker, remove cubes and turn the icemaker back on. |

| Problem | Possible Causes | What To Do |
|--|---|--|
| Frequent "buzzing" sound | Icemaker power switch is in the I (on) position but the water supply to the refrigerator has not been connected. | <ul style="list-style-type: none"> Set the power switch to the 0 (off) position. Keeping it in the I (on) position will damage the water valve. |
| Ice cubes have odor/taste | Ice storage bin needs cleaning. | <ul style="list-style-type: none"> Empty and wash bin. Discard old cubes. |
| | Food transmitting odor/taste to ice cubes. | <ul style="list-style-type: none"> Wrap foods well. |
| | Interior of refrigerator needs cleaning. | <ul style="list-style-type: none"> See <i>Care and cleaning</i>. |
| Small or hollow cubes | Water filter clogged. | <ul style="list-style-type: none"> Replace filter cartridge with new cartridge or with plug. |
| Slow ice cube freezing | Door left open. | <ul style="list-style-type: none"> Check to see if package is holding door open. |
| | Temperature control not set cold enough. | <ul style="list-style-type: none"> See <i>About the controls</i>. |
| Orange glow in the freezer | Defrost heater is on. | <ul style="list-style-type: none"> This is normal. |
| Cube dispenser does not work (on some models) | Icemaker turned off or water supply turned off. | <ul style="list-style-type: none"> Turn on icemaker or water supply. |
| | Ice cubes are frozen to icemaker feeler arm. | <ul style="list-style-type: none"> Remove cubes. |
| | An item is blocking or has fallen into the ice chute inside the top door bin of the freezer. | <ul style="list-style-type: none"> Remove any item that might be blocking, or has fallen into, the chute. |
| | Irregular ice clumps in storage container. | <ul style="list-style-type: none"> Break up with fingertip pressure and discard remaining clumps. Freezer may be too warm. Adjust the freezer control to a colder setting, one position at a time, until clumps do not form. |
| | Dispenser is LOCKED . | <ul style="list-style-type: none"> Press and hold the LOCK CONTROL pad for 3 seconds. |
| Water has poor taste/odor (on some models) | Water dispenser has not been used for a long time. | <ul style="list-style-type: none"> Dispense water until all water in system is replenished. |
| Water in first glass is warm (on some models) | Normal when refrigerator is first installed. | <ul style="list-style-type: none"> Wait 24 hours for the refrigerator to completely cool down. |
| | Water dispenser has not been used for a long time. | <ul style="list-style-type: none"> Dispense water until all water in system is replenished. |
| | Water system has been drained. | <ul style="list-style-type: none"> Allow several hours for replenished supply to chill. |
| Water dispenser does not work (on some models) | Water supply line turned off or not connected. | <ul style="list-style-type: none"> See <i>Installing the water line</i>. |
| | Water filter clogged. | <ul style="list-style-type: none"> Replace filter cartridge or remove filter and install plug. |
| | Air may be trapped in the water system. | <ul style="list-style-type: none"> Press the dispenser arm for at least two minutes. |
| | Dispenser is LOCKED . | <ul style="list-style-type: none"> Press and hold the LOCK CONTROL pad for 3 seconds. |
| Water spurting from dispenser (on some models) | Newly-installed filter cartridge. | <ul style="list-style-type: none"> Run water from the dispenser for 3 minutes (about one and a half gallons). |
| Water is not dispensed (on some models) but icemaker is working | Water in reservoir is frozen. | <ul style="list-style-type: none"> Call for service. |
| | Refrigerator control setting is too cold. | <ul style="list-style-type: none"> Set to a warmer setting. |

Before you call for service...

| Problem | Possible Causes | What To Do |
|--|---|--|
| No water or ice cube production | Supply line or shutoff valve is clogged. | • Call a plumber. |
| | Water filter clogged. | • Replace filter cartridge or remove filter and install plug. |
| | Dispenser is LOCKED . | • Press and hold the LOCK CONTROL pad for 3 seconds. |
| CUBED ICE was selected but CRUSHED ICE was dispensed (on some models) | Last setting was CRUSHED ICE . | • A few cubes were left in the crusher from the previous setting. This is normal. |
| Refrigerator has odor | Foods transmitting odor to refrigerator. | • Foods with strong odors should be tightly wrapped. • Keep an open box of baking soda in the refrigerator; replace every three months. |
| | Interior needs cleaning. | • See <i>Care and cleaning</i> . |
| Moisture forms on outside of refrigerator | Not unusual during periods of high humidity. | • Wipe surface dry. |
| Moisture collects inside (in humid weather, air carries moisture into refrigerator when doors are opened) | Too frequent or too long door openings. | • This is normal for the beverage center. |
| | Placing items on top of Deli pan, close to left side. | • Move items and wipe surface. Fog and small beads are normal. |
| Interior light does not work | No power at outlet. | • Replace fuse or reset the breaker. |
| | Light bulb burned out. | • See <i>Replacing the light bulbs</i> . |
| Water on kitchen floor or on bottom of freezer | Cubes jammed in chute. | • Poke ice through with a wooden spoon. |
| Hot air from bottom of refrigerator | Normal air flow cooling motor. In the refrigeration process, it is normal that heat be expelled in the area under the refrigerator. Some floor coverings are sensitive and will discolor at these normal and safe temperatures. | |
| Refrigerator never shuts off but the temperatures are OK | Adaptive defrost keeps compressor running during door openings. | • This is normal. The refrigerator will cycle off after the door remains closed for 2 hours. |
| Refrigerator is beeping | Door is open. | • Close door. |
| Door not closing properly | Door gasket on hinge side sticking or folding over. | • Apply paraffin wax to the face of the gasket. |
| | A door bin is hitting a shelf inside the refrigerator. | • Move the door bin up one position. |

GE Service Protection Plus™

GE, a name recognized worldwide for quality and dependability, offers you Service Protection Plus™—comprehensive protection on all your appliances—**No Matter What Brand!**

Benefits Include:

- Backed by GE
- All brands covered
- Unlimited service calls
- All parts and labor costs included
- No out-of-pocket expenses
- No hidden deductibles
- One 800 number to call

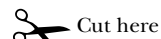
***We'll Cover Any Appliance.
Anywhere. Anytime.****

You will be completely satisfied with our service protection or you may request your money back on the remaining value of your contract. No questions asked. It's that simple.

Protect your refrigerator, dishwasher, washer and dryer, range, TV, VCR and much more—**any brand!** Plus there's no extra charge for emergency service and low monthly financing is available. Even icemaker coverage and food spoilage protection is offered. You can rest easy, knowing that all your valuable household products are protected against expensive repairs.

Place your confidence in GE and call us in the U.S. toll-free at **800.626.2224** for more information.

*All brands covered, up to 20 years old, in the continental U.S.



Please place in envelope and mail to:

General Electric Company
Warranty Registration Department
P.O. Box 32150
Louisville, KY 40232-2150

Consumer Product Ownership Registration

Dear Customer:

Thank you for purchasing our product and thank you for placing your confidence in us.

We are proud to have you as a customer!

Follow these three steps to protect your new appliance investment:

1

Complete and mail your Consumer Product Ownership Registration today. Have the peace of mind of knowing we can contact you in the unlikely event of a safety modification.

2

After mailing the registration below, store this document in a safe place. It contains information you will need should you require service. Our service number is 800.GE.CARES (800.432.2737).

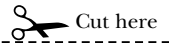
3

Read your Owner's Manual carefully. It will help you operate your new appliance properly.

Model Number

Serial Number

Important: If you did not get a registration card with your product, detach and return the form below to ensure that your product is registered, or register online at www.GEAppliances.com.



Consumer Product Ownership Registration



Model Number

Serial Number

Mr. Ms. Mrs. Miss

First Name

Last Name

Street Address

Apt. #

E-mail Address*

City

State

Zip Code

Date Placed In Use
Month

Day

Year

Phone Number --



GE Appliances

GE Consumer Products
General Electric Company
Louisville, Kentucky
www.GEAppliances.com

* Please provide your e-mail address to receive, via e-mail, discounts, special offers and other important communications from GE Appliances (GEA).

Check here if you do not want to receive communications from GEA's carefully selected partners.

FAILURE TO COMPLETE AND RETURN THIS CARD DOES NOT DIMINISH YOUR WARRANTY RIGHTS.

For information about GEA's privacy and data usage policy, go to www.GEAppliances.com and click on "Privacy Policy" or call 800.626.2224.

Safety Instructions

Operating Instructions

Installation Instructions

Troubleshooting Tips

Consumer Support

Performance Data Sheet
SmartWater Filtration System
GWFF / HWF Cartridge

This system has been tested according to NSF/ANSI 42/53 for reduction of the substances listed below. The concentration of the indicated substances in water entering the system was reduced to a concentration less than or equal to the permissible limit for water leaving the system, as specified in NSF/ANSI 42/53.*
(100% safety factors built in for unmetered usage)

| Standard No. 42: Aesthetic Effects | | | | | | | |
|------------------------------------|-----------|----------------------------------|----------|----------|-------------|---------|-------------------------|
| Parameter | USEPA MCL | Influent Challenge Concentration | Effluent | | % Reduction | | Min. Required Reduction |
| | | | Average | Maximum | Average | Minimum | |
| Chlorine | — | 2.0 mg/L ± 10% | 0.02 ppm | 0.05 ppm | 98.90% | 97.37% | ≥ 50% |
| T & O | — | — | — | — | — | — | — |
| Particulate** | — | at least 10,000 particles/mL | 3,978 | 7,800 | 98.00% | 96.10% | ≥ 85% |

| Standard No. 53: Health Effects | | | | | | | |
|---------------------------------|------------------|---|-------------|-------------|-------------|---------|-------------------------|
| Parameter | USEPA MCL | Influent Challenge Concentration | Effluent | | % Reduction | | Min. Required Reduction |
| | | | Average | Maximum | Average | Minimum | |
| Turbidity | 1 NTU*** | 11 ± 1 NTU*** | 0.07 NTU | 0.1 NTU | 99.71% | 99.59% | 0.5 NTU |
| Cysts | 99.95% Reduction | Minimum 50,000 L | 26 | 55 | 99.97% | 99.95% | > 99.95% |
| Lead at pH 6.5 | 15 ppb | 0.15 mg/L ± 10% | 1 ppb | 1 ppb | 99.37% | 99.37% | 0.010 mg/L |
| Lead at pH 8.5 | 15 ppb | 0.15 mg/L ± 10% | 1.8 ppb | 4.3 ppb | 98.8% | 97.13% | 0.010 mg/L |
| Lindane | 0.0002 ppm | 0.002 mg/L ± 10% | 0.00005 ppm | 0.00005 ppm | 91.93% | 91.93% | 0.0002 mg/L |
| Atrazine | 0.003 ppm | 0.009 mg/L ± 10% | 0.002 ppm | 0.003 ppm | 76.19% | 64.28% | 0.003 mg/L |
| 2,4-D | 0.100 ppm | 0.210 mg/L ± 10% | 0.042 ppm | 0.090 ppm | 84.89% | 67.63% | 0.07 mg/L |
| Asbestos | 99% | 10 ⁷ to 10 ⁸ fibers/L; fibers greater than 10 micrometers in length | 0.32 MFL/ml | 1.2 MFL/ml | 99.95% | 99.82% | 99% |

* Tested using a flow rate of 0.5 gpm; pressure of 60 psig; pH of 7.5 ± 0.5; temp. of 20° ± 2.5°C

** Measurement in Particles/ml. Particles used were 0.5–1 microns

*** NTU=Nephelometric Turbidity units

Operating Specifications

- Capacity: certified for up to 300 gallons (1135 l); up to six months for models without a replacement filter indicator light; up to one year for models with a replacement filter indicator light
- Pressure requirement: 40–120 psi (2.8–8.2 bar), non-shock
- Temperature: 33–100°F (0.6–38°C)
- Flow rate: 0.5 gpm (1.9 lpm)

General Installation/Operation/Maintenance Requirements

- Flush new cartridge at full flow for 3 minutes to purge out trapped air.
- Replace cartridge when flow becomes too slow.

Special Notices

- Installation instructions, parts and service availability, and standard warranty are included with the product when shipped.
- This drinking water system must be maintained according to manufacturer’s instructions, including replacement of filter cartridges.
- Do not use with water that is microbiologically unsafe or of unknown quality without adequate disinfection before or after the system. Systems certified for cyst reduction may be used on disinfected water that may contain filterable cysts.
- The contaminants or other substances removed or reduced by this water treatment system are not necessarily in your water.
- Check for compliance with the state and local laws and regulations.
- Note that while the testing was performed under standard laboratory conditions, actual performance may vary. Systems must be installed and operated in accordance with manufacturer’s recommended procedures and guidelines.

| | |
|--|--|
| System Tested and Certified by NSF International against ANSI/NSF Standard 42 & 53 for the reduction of: | |
| Standard No. 42: Aesthetic Effects | Standard No. 53: Health Effects |
| Chemical Unit | Chemical Reduction Unit |
| Taste and Odor Reduction | Lead and Atrazine Reduction |
| Chlorine Reduction | Lindane and 2,4-D Reduction |
| Mechanical Filtration Unit | Mechanical Filtration Unit |
| Particulate Reduction, Class I | Turbidity Reduction |
| | Cyst and Asbestos Reduction |



Manufactured for: General Electric Company, Louisville, KY 40225

State of California
 Department of Health Services
**Water Treatment Device
 Certificate Number**

00 - 1434

Date Issued: May 30, 2000
 Date Revised: February 9, 2001

Trademark/Model Designation

Replacement Elements

GE Smart Water Filtration Systems - GWF06

GWF06

GE Smart Water Filtration Systems - GWF

GWF

Hotpoint Refrigerator Systems - HWF

HWF

Manufacturer: General Electric Appliances

The water treatment device(s) listed on this certificate have met the testing requirements pursuant to Section 116830 of the Health and Safety Code for the following health related contaminants:

Microbiological Contaminants and Turbidity

Inorganic/Radiological Contaminants

Cysts (protozoan)
 Turbidity

Asbestos
 Lead

Organic Contaminants

Atrazine
 Lindane
 2,4-D

Rated Service Capacity: 300 gallons*

Rated Service Flow: 0.5 gpm

Do not use where water is microbiologically unsafe or with water of unknown quality, except that systems claiming cyst reduction may be used on water containing cysts.

*** 500 gallons for models that include a replacement filter indicator light.**

For Purchases Made In Iowa: This form must be signed and dated by the buyer and seller prior to the consummation of this sale. This form should be retained on file by the seller for a minimum of two years.

BUYER:

SELLER:

 Name

 Name

 Address

 Address

 City State Zip

 City State Zip

 Signature Date

 Signature Date

CONSUMER WARRANTY

(for customers in Canada)

Your refrigerator is warranted to be free of defects in material and workmanship.

| What is covered | How Long Warranted (From Date of Sale) | Parts Repair or Replace at Camco's Option | Labour |
|--|---|---|----------------|
| Compressor | Ten (10) Years | Ten (10) Years | Five (5) Years |
| Sealed System (including evaporator, condenser tubing and refrigerant) | Five (5) Years | Five (5) Years | Five (5) Years |
| All Other Parts | One (1) Year | One (1) Year | One (1) Year |

TERMS AND CONDITIONS:

This warranty applies only for single family domestic use in Canada when the Refrigerator has been properly installed according to the instructions supplied by Camco and is connected to an adequate and proper utility service.

Damage due to abuse, accident, commercial use, and alteration or defacing of the serial plate cancels all obligations of this warranty.

Service during this warranty must be performed by an Authorized Camco Service Agent.

Neither Camco nor the Dealer is liable for any claims or damages resulting from any failure of the Refrigerator or from service delays beyond their reasonable control.

To obtain warranty service, purchaser must present the original bill of sale. Components repaired or replaced are warranted through the remainder of the original warranty period only.

This warranty is in addition to any statutory warranty.

IMPORTANT

Keep this warranty and your bill of sale as proof of original purchase and purchase date.

Camco Service is available coast to coast.
If further help is needed concerning this warranty, contact:
Manager, Consumer Relations, Camco Inc.,
Suite 310, 1 Factory Lane, Moncton, N.B. E1C 9M3

WHAT IS NOT COVERED:

- Service trips to your home to teach you how to use the product.
- Damage to finish after delivery.
- Improper installation—proper installation includes adequate air circulation to the refrigeration system, adequate electrical, plumbing and other connecting facilities.
- Replacement of house fuses or resetting of circuit breakers.
- Replacement of light bulbs.
- Damage to product caused by accident, fire, floods or acts of God.
- Loss of food due to spoilage.
- Proper use and care of product as listed in the owner's manual, proper setting of controls.
- **WARRANTOR IS NOT RESPONSIBLE FOR CONSEQUENTIAL DAMAGES.**

*Staple your receipt here.
Proof of the original purchase
date is needed to obtain service
under the warranty.*

Refrigerator Warranty. *(For customers in the United States)*



All warranty service provided by our Factory Service Centers, or an authorized Customer Care® technician. To schedule service, on-line, 24 hours a day, visit us at www.GEAppliances.com, or call 800.GE.CARES (800.432.2737).

Staple your receipt here. Proof of the original purchase date is needed to obtain service under the warranty.

| For The Period Of: | GE Will Replace: |
|---|--|
| One Year From the date of the original purchase | Any part of the refrigerator which fails due to a defect in materials or workmanship. During this full one-year warranty , GE will also provide, free of charge , all labor and in-home service to replace the defective part. |
| Five Years From the date of the original purchase | Any part of the sealed refrigerating system (the compressor, condenser, evaporator and all connecting tubing) which fails due to a defect in materials or workmanship. During this full five-year sealed refrigerating system warranty , GE will also provide, free of charge , all labor and in-home service to replace the defective part in the sealed refrigerating system. |
| Lifetime of Product From the date of the original purchase | The full extension slides , if they should fail due to a defect in materials or workmanship. During this product lifetime limited warranty , you will be responsible for any labor or related service costs. |
| Thirty Days From the original purchase date of the refrigerator | Any part of the water filter cartridge which fails due to a defect in materials or workmanship. During this limited thirty-day warranty , GE will also provide, free of charge , a replacement water filter cartridge. |

What GE Will Not Cover:

- Service trips to your home to teach you how to use the product.
- Improper installation, delivery or maintenance.
- Failure of the product if it is abused, misused, or used for other than the intended purpose or used commercially.
- Loss of food due to spoilage.
- Replacement of house fuses or resetting of circuit breakers.
- Damage caused after delivery.
- Replacement of the water filter cartridge due to water pressure that is outside the specified operating range or due to excessive sediment in the water supply.
- Replacement of the light bulbs or water filter cartridge other than as noted above.
- Damage to the product caused by accident, fire, floods or acts of God.
- Incidental or consequential damage caused by possible defects with this appliance.

This warranty is extended to the original purchaser and any succeeding owner for products purchased for home use within the USA. In Alaska, the warranty excludes the cost of shipping or service calls to your home.

Some states do not allow the exclusion or limitation of incidental or consequential damages. This warranty gives you specific legal rights, and you may also have other rights which vary from state to state. To know what your legal rights are, consult your local or state consumer affairs office or your state's Attorney General.

Warrantor: General Electric Company, Louisville, KY 40225

Safety Instructions

Operating Instructions

Installation Instructions

Troubleshooting Tips

Consumer Support

| | |
|--------------------------------|--|
| Mesures de sécurité | <p><i>Mesures de sécurité</i> 45, 46</p> <p>Fonctionnement</p> <p>Clayettes, bacs et supports 50, 51</p> <p>Enlèvement des contenants 53</p> <p>Entretien et nettoyage</p> <p>du réfrigérateur 56, 57</p> <p>Le distributeur d'eau et de glaçons 55</p> <p>Le filtre à eau 49</p> <p>Les commandes 47</p> <p>Les portes du réfrigérateur 52</p> <p>Les tiroirs et contenants à légume 53</p> <p>Machine à glaçons automatique 54</p> <p>Remplacement des ampoules 58</p> <p>TurboCool™ 48</p> <p>Installation</p> <p>Déménagement du réfrigérateur . . . 64–67</p> <p>Ensembles de moulures et de panneaux décoratifs 59–62</p> <p>Installation de la conduite d'eau 72–74</p> <p>Installation du réfrigérateur 68–71</p> <p>Préparation 63</p> <p>Conseils de dépannage 75–78</p> <p>Bruits de fonctionnement normaux 75</p> <p>Soutien au consommateur</p> <p>Feuillet de données relatives à la performance de la cartouche GWF 80</p> <p>Garantie pour la clientèle au Canada 79</p> <p>Soutien au consommateur 81</p> |
| Fonctionnement | |
| Installation | |
| Conseils de dépannage | <p>Transcrivez les numéros de modèle et de série ici :</p> <p># de modèle _____</p> <p># de série _____</p> |
| Soutien au consommateur | <p>Ils figurent sur l'étiquette qui se trouve à l'intérieur du compartiment réfrigérateur en haute à droite.</p> |

⚠ AVERTISSEMENT!

N'utilisez cet électroménager que pour l'usage auquel il est destiné, comme expliqué dans le présent manuel.



MESURES DE SÉCURITÉ

Lorsque vous utilisez un appareil électrique, observez toujours les mesures de sécurité de base, y compris les suivantes.

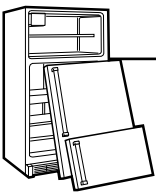
- Installez le réfrigérateur conformément aux directives d'installation avant de l'utiliser.
- Ne laissez pas les enfants grimper, s'asseoir, se tenir debout ni se pendre aux clayettes du réfrigérateur. Ils pourraient endommager le réfrigérateur et se blesser gravement.
- Ne touchez pas les surfaces froides du congélateur si vous avez les mains humides ou mouillées : la peau risque d'adhérer à ces surfaces très froides.
- N'entreposez et n'utilisez pas d'essence ou autres vapeurs et liquides inflammables à proximité de cet appareil ou de tout autre appareil électroménager.
- Si votre réfrigérateur est doté d'une machine à glaçons automatique évitez le contact avec les pièces mobiles du mécanisme éjecteur, ou avec l'élément chauffant situé à la partie inférieure de la machine à glaçons. Ne posez pas les doigts ou les mains sur le mécanisme de la machine à glaçons pendant que le réfrigérateur est branché.
- Éloignez les doigts des parties du réfrigérateur où l'on peut facilement se pincer : les espaces entre les portes et entre les portes et les placards sont toujours étroits. Soyez prudent lorsque vous fermez les portes de l'appareil en présence des enfants.
- Débranchez votre réfrigérateur avant de le nettoyer ou de le réparer.

REMARQUE : Nous vous recommandons vivement de confier toute réparation à un technicien qualifié.

- Lorsque vous réglez la commande sur **0 (arrêt)**, l'alimentation électrique de l'ampoule n'est pas coupée.
- Ne recongelez pas les aliments surgelés qui ont complètement dégelé.

⚠ DANGER! RISQUES POUR LES ENFANTS

COMMENT VOUS DÉBARRASSER CONVENABLEMENT DE VOTRE ANCIEN RÉFRIGÉRATEUR



Les enfants pris au piège ou morts d'asphyxie sont toujours d'actualité. Les réfrigérateurs abandonnés sont toujours aussi dangereux, même si on n'attend que «quelques jours» pour s'en débarrasser. Si vous ne gardez pas votre ancien réfrigérateur, veuillez suivre les directives ci-dessous afin de prévenir les accidents.

Avant de vous débarrasser de votre ancien réfrigérateur ou congélateur :

- Démontez les portes.
- Laissez les clayettes en place afin d'empêcher les enfants de grimper à l'intérieur.

Réfrigérants

Tous les appareils de réfrigération contiennent des réfrigérants qui, conformément aux lois fédérales, doivent être enlevés avant toute élimination de l'appareil. Si vous vous débarrassez de vieux appareils de réfrigération, vérifiez, auprès de la société qui s'occupe de leur élimination, ce que vous devez faire.

CORDONS PROLONGATEURS

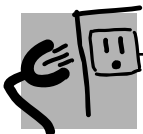


Nous vous recommandons fortement de ne pas utiliser de cordons prolongateurs à cause des risques potentiels qu'ils présentent dans certaines conditions.

Toutefois si vous décidez d'utiliser tout de même un cordon prolongateur, il est absolument nécessaire qu'il s'agisse d'un cordon à 3 fils avec mise à la terre pour appareils électroménagers homologué UL (aux États-Unis) ou certifié CSA (au Canada), pourvu d'une fiche et d'une prise mises à la terre de 15 ampères (minimum) et de 120 volts.

MESURES DE SÉCURITÉ IMPORTANTES. LISEZ D'ABORD TOUTES LES DIRECTIVES.

⚠ AVERTISSEMENT!



RACCORDEMENT ÉLECTRIQUE

Ne coupez ni retirez en aucun cas la troisième broche (mise à la terre) de la fiche du cordon d'alimentation. Pour votre sécurité, cet appareil doit être correctement mis à la terre.

Le cordon d'alimentation de cet appareil est muni d'une fiche à 3 broches (mise à la terre) qui se branche dans une prise murale ordinaire à 3 alvéoles (mise à la terre) pour réduire au minimum les risques de chocs électriques.

Faites examiner la prise de courant et le circuit par un électricien qualifié pour vous assurer que la prise est correctement mise à la terre.

Si la prise murale est du type standard à 2 alvéoles, il vous incombe de la faire remplacer par une prise à 3 alvéoles correctement mise à la terre.

Le réfrigérateur doit toujours être branché dans sa propre prise de courant, dont la tension nominale est identique à celle indiquée sur la plaque signalétique.

Cette précaution est recommandée pour garantir un rendement optimum et éviter une surcharge des circuits électriques de la résidence, ce qui pourrait créer un risque d'incendie par surchauffe des fils.

Ne débranchez jamais le réfrigérateur en tirant sur le cordon d'alimentation. Saisissez fermement la fiche du cordon et tirez droit pour la retirer de la prise.

Réparez ou remplacez immédiatement tout cordon effiloché ou endommagé. N'utilisez pas un cordon fendillé ou présentant des signes d'usure.

Lorsque vous déplacez votre réfrigérateur du mur, faites attention de ne pas le faire rouler sur le cordon d'alimentation afin de ne pas l'endommager.



FICHE D'ADAPTATION *(Fiches d'adaptation non permises au Canada)*

Nous vous recommandons fortement de ne pas utiliser une fiche d'adaptation à cause des risques potentiels qu'elle présente dans certaines circonstances.

Toutefois, si vous décidez d'utiliser tout de même une fiche d'adaptation, vous pouvez effectuer un **raccordement temporaire**, si les codes locaux le permettent, dans une prise de courant à 2 alvéoles adéquatement mise à la terre en utilisant une fiche d'adaptation homologuée UL, en vente dans la plupart des quincailleries.

La fente la plus longue de la fiche doit être alignée avec la fente la plus longue de la prise murale afin d'assurer la polarité appropriée pour le branchement du cordon d'alimentation.

Lorsque vous débranchez le cordon d'alimentation de la fiche d'adaptation, saisissez toujours la fiche d'une main pendant que vous tirez sur la fiche du cordon d'alimentation de l'autre. Sinon, la borne de mise à la terre de la fiche d'adaptation risque de casser avec le temps.

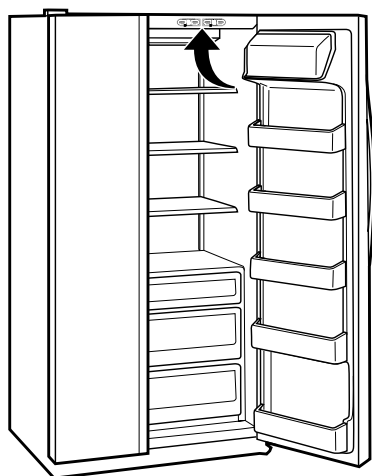
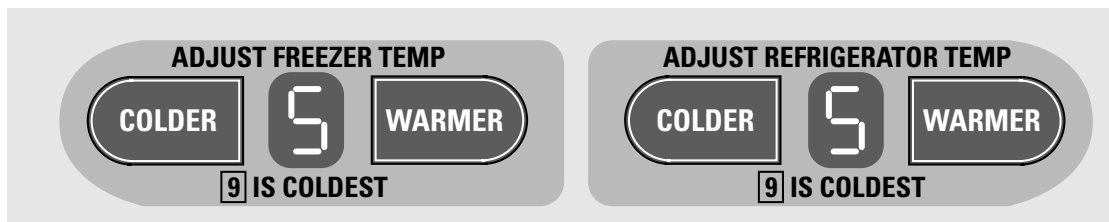
Si la borne de mise à la terre de la fiche casse, **N'UTILISEZ PAS** l'appareil tant qu'une mise à la terre adéquate n'aura pas été rétablie.

Le fait de fixer la borne de mise à la terre de la fiche d'adaptation à la plaque de la prise de courant n'assure pas automatiquement la mise à la terre de l'appareil. Il faut que la vis soit en métal, non isolée, et que la prise de courant soit mise à la terre par l'entremise du câblage de la résidence. Faites vérifier le circuit par un électricien qualifié pour vous assurer que la prise est adéquatement mise à la terre.



**VEUILLEZ LIRE ET SUIVRE ATTENTIVEMENT
CES MESURES DE SÉCURITÉ.**

CONSERVEZ CES DIRECTIVES



La température est pré-réglée à l'usine au numéro **5** pour le compartiment réfrigérateur et le compartiment congélateur. Attendez 24 heures que la température se stabilise aux températures recommandées pré-réglées.

Plusieurs ajustements peuvent être nécessaires. Chaque fois que vous ajustez les réglages, attendez 24 heures après chaque ajustement que le réfrigérateur atteigne le réglage choisi.

Pour arrêter le refroidissement dans le compartiment réfrigérateur et le compartiment congélateur, réglez leur température au numéro **0**, mais vous ne mettez pas le réfrigérateur hors tension.

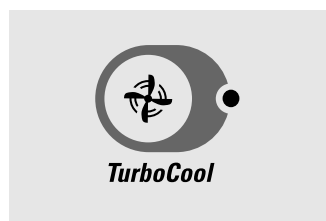
Le réglage des commandes variera en fonction des préférences personnelles, de l'usage et des conditions d'utilisation et pourront nécessiter plusieurs ajustements.

NOTE : Le réfrigérateur est expédié avec une pellicule de protection couvrant les commandes de température. Si cette pellicule n'a pas été retirée au cours de l'installation faites-le maintenant.

Systeme de circulation d'air

Ce système est conçu pour maximiser le rendement dans les compartiments du réfrigérateur et du congélateur. Ce concept unique consiste en une canalisation d'air fixée au long des parois arrières du réfrigérateur et d'un tunnel à air au bas de la paroi arrière du compartiment du congélateur. Le rangement d'aliments en avant des persiennes de ces compartiments n'affecte pas le rendement de l'appareil. Bien qu'il soit possible d'enlever la canalisation d'air et le tunnel à air, une telle opération affectera le rendement en ce qui concerne la température. (Pour recevoir les instructions de démontage de ces éléments en ligne 24 heures par jour, veuillez contacter GE sur le site Web electromenagersge.ca ou appelez le 800.361.3400.)

Au sujet de TurboCool™



Fonctionnement

La commande **TurboCool** accélère le refroidissement du compartiment réfrigération afin de refroidir plus rapidement les aliments. Utilisez **TurboCool** quand vous ajoutez une grande quantité d'aliments dans le compartiment réfrigération, quand vous mettez de côté des aliments après les avoir laissés reposer à la température de la pièce ou quand vous mettez de côté des restes d'aliments chauds. Vous pouvez également l'utiliser après que le réfrigérateur soit resté débranché pendant une période prolongée.

Une fois activé, le compresseur se met immédiatement en route et les ventilateurs se mettent en marche et s'arrêtent à haute vitesse pendant huit heures, en suivant leur cycle. Le compresseur continue à marcher jusqu'à ce que le compartiment réfrigération se refroidisse à environ 1° C (34° F), puis il se met en marche et s'arrête selon son propre cycle pour maintenir cette température. Après 8 heures ou si vous pressez à nouveau sur le bouton **TurboCool**, le compartiment réfrigération revient à son réglage original.

Utilisation

Appuyez sur le bouton **TurboCool**. L'écran de température du réfrigérateur indique **TC**.

Quand la commande **TurboCool** cesse de fonctionner, le compartiment réfrigération revient à son réglage original.

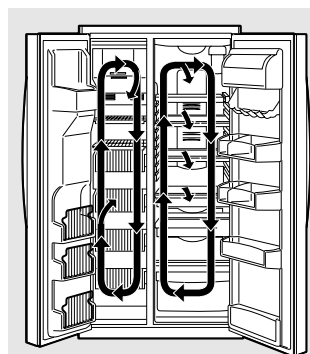
NOTES :

*Vous ne pouvez pas changer la température du réfrigérateur pendant que la commande **TurboCool** fonctionne.*

*Le **TurboCool** n'a pas d'effet sur la température du congélateur.*

*Quand vous ouvrez la porte du réfrigérateur pendant l'action de la commande **TurboCool**, les ventilateurs continuent à fonctionner si leur cycle le demande.*

Au sujet de ClimateKeeper2™



Comment il fonctionne

Le nouveau **ClimateKeeper2™** est le système de réfrigération le plus avancé de l'industrie, produisant une température et une humidité optimales pour conserver les aliments plus longtemps frais et réduire les brûlures de congélateur, tout en conservant une efficacité de niveau E star.

Le nouveau système **ClimateKeeper2** a deux évaporateurs, le premier pour le compartiment réfrigération et le second pour le compartiment congélation.

Cela fournit deux systèmes de refroidissement distincts pour l'ensemble du réfrigérateur, et sépare la circulation d'air entre les sections d'aliments frais et de congélateur pendant les opérations normales de refroidissement.*

Cela assure un degré d'humidité dans la section des aliments frais beaucoup plus élevé que dans un système conventionnel,** ce qui permet aux produits frais et autres aliments non scellés de conserver plus longtemps leur teneur en humidité et leur fraîcheur.

Vous pouvez maintenant conserver des aliments sensibles à l'humidité, comme les fruits frais, les salades, le riz, etc. sur des clayettes ouvertes sans perte excessive d'humidité.

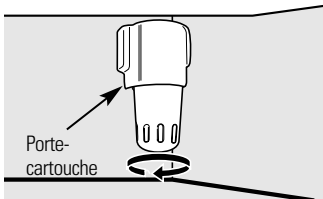
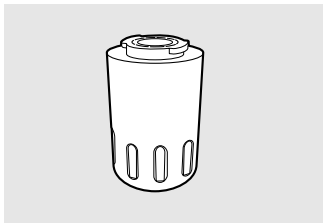
Le système séparé d'aération réduit le mélange d'air entre les deux compartiments, ce qui réduit les transferts d'odeurs, et améliore le goût de la glace.

Le système **ClimateKeeper2** réduit également le nombre de cycles de dégivrage dans l'évaporateur du compartiment congélation, améliorant ainsi la température du compartiment congélation et réduisant les brûlures de congélateur.

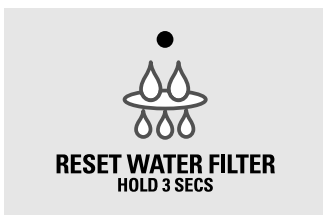
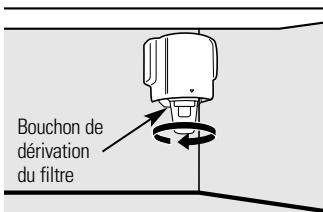
L'air du compartiment congélation est utilisé dans la caractéristique **CustomCool.*

***Les tests indiquent un niveau plus élevé d'humidité dans la section d'aliments frais dans les réfrigérateurs **ClimateKeeper2** que dans les réfrigérateurs conventionnels.*

Sur certains modèles



Insérez le dessus de la cartouche dans le porte-cartouche et tournez-la lentement vers la droite.



Cartouche du filtre à eau

La cartouche du filtre à eau se trouve dans le coin droit arrière supérieur du compartiment réfrigérateur, juste au-dessous des commandes de température.

Remplacement du filtre

Une lumière indique la nécessité de remplacer la cartouche du filtre à eau sur le distributeur. Cette lumière devient orange pour vous avertir de remplacer bientôt le filtre.

Vous devez remplacer la cartouche de filtre quand la lumière de l'indicateur devient rouge ou quand le débit de l'eau qui va au distributeur d'eau ou au distributeur de glace diminue.

Installation de la cartouche du filtre à eau

- 1 S'il s'agit d'une cartouche de remplacement, enlevez d'abord l'ancienne en la tournant lentement vers la gauche. **Ne tirez pas** sur la cartouche. Un peu d'eau peut s'écouler.
- 2 Remplissez la cartouche de remplacement d'eau du robinet immédiatement après l'installation afin de permettre un meilleur débit du distributeur.
- 3 Aligned la fleche sur la cartouche et le support de cartouche. Placez le haut de la nouvelle cartouche à l'intérieur du support. **Ne l'enfonchez pas** dans le porte-cartouche.

Tournez la cartouche lentement vers la droite jusqu'au point où la cartouche s'arrête. **NE SERREZ PAS TROP FORT.** Lorsque vous la tournez, elle se lèvera en position automatiquement. La cartouche fera approximativement une 1/4 rotation.

- 4 Faites couler l'eau du distributeur pendant 3 minutes (environ 6 litres) afin de dégager le système et empêcher le bredouillement.
- 5 Pressez et maintenez appuyée la touche **RESET WATER FILTER** (re-réglage du filtre à eau) sur le distributeur pendant 3 secondes.

REMARQUE : Une cartouche de remplacement qui vient d'être installée **peut faire jaillir** l'eau du distributeur.

Bouchon de dérivation du filtre

Il faut utiliser le bouchon de dérivation du filtre lorsqu'une cartouche de remplacement n'est pas disponible. Le distributeur et la machine à glaçons ne peuvent pas fonctionner sans le filtre ou sans le bouchon de dérivation du filtre.

Filtres de remplacement :

Pour commander des cartouches supplémentaires aux États-Unis, visitez notre site Web à l'adresse www.GEAppliances.com, ou appelez le Service des pièces et accessoires GE au 800.626.2002.

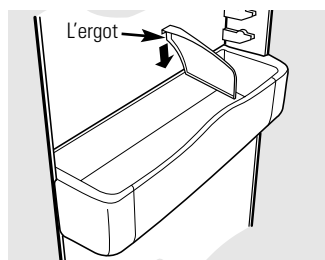
GWF

Prix suggéré pour la vente au détail \$34.95 USD

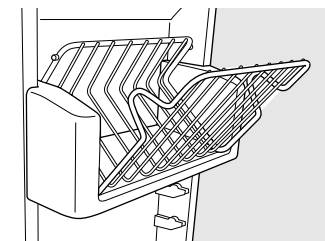
Les clients au Canada devraient consulter les pages jaunes pour connaître la succursale Camco la plus près.

Clayettes, bacs et supports.

Toutes les caractéristiques ne sont pas disponibles sur tous les modèles.



Bac de porte de réfrigérateur



Bac basculant de porte de congélateur

Bacs de porte de réfrigérateur et bacs basculants de porte de congélateur.

Grands bacs

Vous pouvez régler les plus grands bacs de porte de réfrigérateur et les bacs basculants de porte de congélateur.

Enlèvement : Soulevez l'avant du bac droit vers le haut, puis soulevez et enlevez.

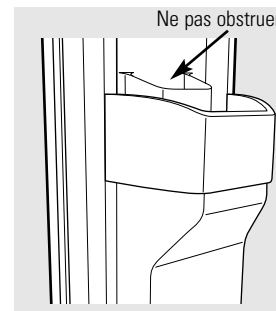
Remise en place ou relocalisation : Engagez l'arrière du bac dans les soutiens moulés de la porte. Puis poussez vers le bas l'avant du bac. Le bac se fixe en place.

Petits bacs

Enlèvement : Soulevez l'avant du bac droit vers le haut, puis enlevez.

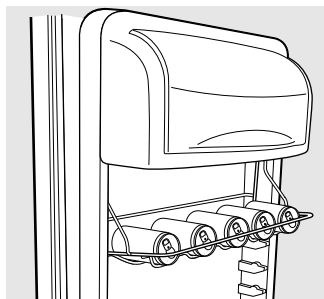
Remise en place : Placez le bac au dessus des soutiens moulés rectangulaires de la porte. Puis faites glisser le bac vers le bas dans les supports pour le fixer en place.

L'ergot aide à empêcher que de petits articles placés sur la clayette de la porte se renversent, coulent ou glissent. Mettez un doigt de chaque côté de l'ergot près de l'arrière et faites bouger la clayette vers l'avant ou vers l'arrière selon vos besoins.



MISE EN GARDE :

Soyez prudents lorsque vous placez des articles dans le bac supérieur. Assurez-vous qu'aucun objet ne bloque ou tombe dans la chute à glaçons.



Support à bouteilles de vin/boissons (sur certains modèles)

Ce support peut contenir jusqu'à 5 canettes, une bouteille de vin ou une bouteille de soda de 2 litres.

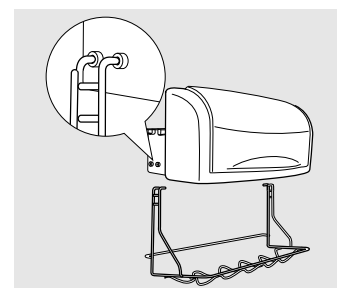
Le support est accroché aux côtés du bac à produits laitiers.

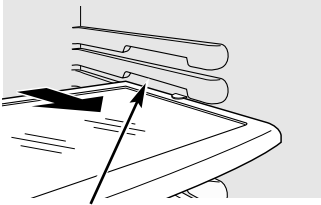
Pour enlever :

- 1 Videz le support.
- 2 En tenant la partie inférieure du bac à produits laitiers, soulevez sa partie avant en ligne droite, puis tirez vers le haut et l'extérieur.
- 3 Pour dégager le support du bac à produits laitiers, tirez sur les tiges latérales du support pour les retirer des trous situés sur les côtés du bac.

Pour replacer :

- 1 Accrochez le support aux côtés du bac.
- 2 Engagez la partie arrière du bac dans les supports moulés de la porte. Poussez ensuite la partie avant du bac vers le bas. Le bac se verrouillera en place.





Appuyez sur le taquet et tirez la clayette vers l'avant pour l'enlever

Clayette coulissante anti-déversement

Grâce à la clayette glissante anti-déversement, vous pouvez atteindre des articles placés derrière d'autres. Ses bords spéciaux sont conçus pour empêcher tout déversement aux clayettes inférieures.

Enlèvement :

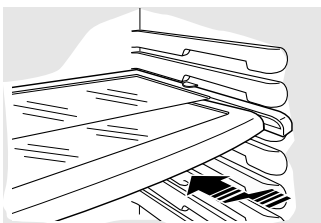
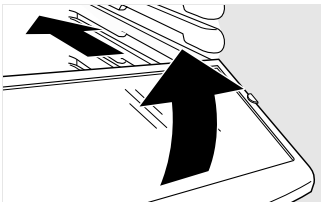
Faites glisser la clayette vers l'extérieur jusqu'à ce qu'elle atteigne son point d'arrêt, puis appuyez le taquet vers le bas et faites glisser la clayette directement vers l'extérieur.

Remise en place ou relocalisation :

Alignez la clayette avec les supports et faites glisser en place. L'étagère peut être repositionnée lorsque la porte est ouverte à 90° ou plus. Pour ce faire, faites glisser l'étagère au delà des butées et inclinez-la

vers le bas. Faites-la glisser vers le bas dans la position désirée, alignez-la avec les supports et glissez-la en place.

Prenez soin de pousser la clayette jusqu'au fond pour refermer la porte.

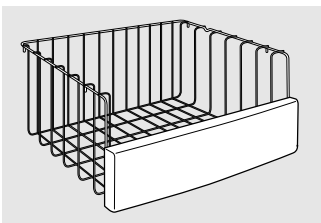


Clayette QuickSpace™

Vous pouvez diviser en deux cette clayette et faire coulisser sa partie avant sous sa partie arrière pour ranger des articles de haute taille sur la clayette du dessous.

Vous pouvez enlever cette clayette et la remettre en place ou la placer comme une clayette coulissante anti-déversement.

Dans certains modèles, vous ne pouvez pas utiliser cette clayette dans la position la plus basse.



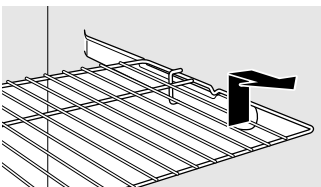
Paniers du congélateur

Pour enlever, faites glisser jusqu'à la position d'arrêt, soulevez l'avant au delà de la position d'arrêt et faites sortir en glissant.

Sur certains modèles, le panier à extension totale peut être retiré en poussant sur celui-ci jusqu'au fond du congélateur. Tirez le

panier vers le haut jusqu'à ce que les tiges arrières soient dégagées. Soulevez l'ensemble du panier puis tirez-le à l'extérieur.

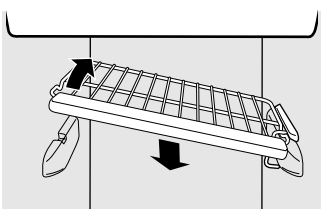
Prenez soin de pousser les paniers jusqu'au fond pour refermer la porte.



Clayettes de congélateur à retrait par coulissement

Pour enlever, faites glisser jusqu'à la position d'arrêt, soulevez l'avant au delà de la position d'arrêt et faites sortir en glissant.

Prenez soin de pousser les clayettes jusqu'au fond pour refermer la porte.

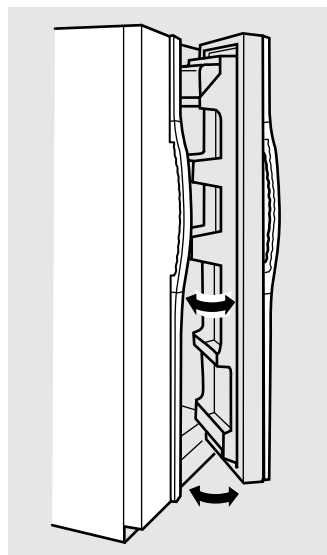


Clayettes de congélateur fixes

Pour retirer, soulevez la clayette par l'avant sur le côté gauche puis tirez-la vers l'arrière.

NOTE CONCERNANT LES MODÈLES AVEC DISTRIBUTEUR : Afin de tirer pleinement avantage du tiroir basculant, la taille des articles déposés sur la clayette en dessous du tiroir à glaçons ne doit pas excéder le point le plus bas de ce tiroir.

Les portes du réfrigérateur.



Lorsque la porte est partiellement ouverte, elle se ferme automatiquement.

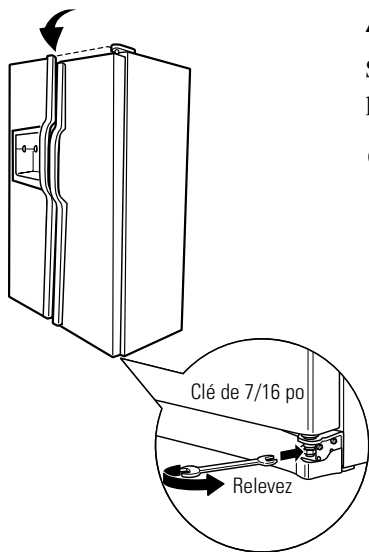
Au delà de cette position **d'arrêt** la porte restera ouverte.

Portes du réfrigérateur

Les portes de votre réfrigérateur ne sont pas tout à fait comme celles dont vous avez l'habitude. Un système spécial d'ouverture/fermeture assure que les portes ferment complètement et hermétiquement.

Lorsque vous ouvrez et fermez les portes, vous remarquerez qu'elles sont munies d'une position **d'arrêt**. Si vous ouvrez la porte au delà de cette position **d'arrêt**, elle restera ouverte afin de vous permettre de ranger et de prendre vos aliments plus facilement. Lorsque la porte est partiellement ouverte, elle se ferme automatiquement.

L'impression de résistance que vous ressentez à la position **d'arrêt** diminue lorsque des aliments sont rangés dans la porte.



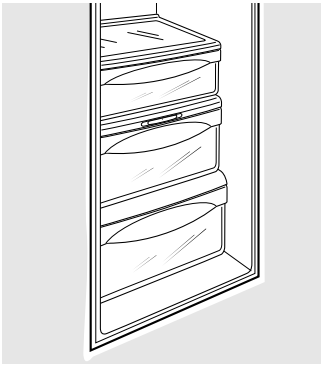
Alignement des portes

Si les portes ne soient pas alignées, réglez la porte du compartiment réfrigérateur.

① À l'aide d'une clé de 7/16 po, tournez la vis de réglage de la porte vers la droite pour relever la porte, ou vers la gauche pour l'abaisser. (Une douille de nylon, encastrée dans les filets de l'axe, empêchera celui-ci de tourner si l'on ne se sert pas d'une clé.)

② Après avoir tourné la clé une ou deux fois, ouvrez et fermez la porte du compartiment réfrigérateur et vérifiez l'alignement des portes à la partie supérieure.

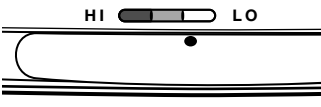
Toutes les caractéristiques ne sont pas disponibles sur tous les modèles.



Contenants à fruits et légumes

Si une quantité d'eau excessive s'accumule dans le fond des tiroirs, essuyez-les.

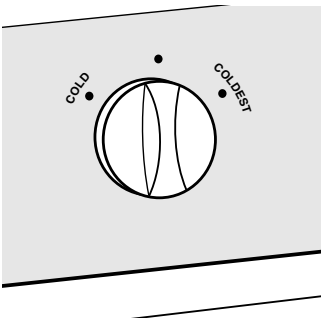
Sur certains modèles, le tiroir du bas est muni de coussins pleine extension permettant l'accès à l'ensemble du tiroir.



Contenants avec humidité variable

Réglez la commande à **HI** pour que le tiroir conserve un degré d'humidité élevé pour la conservation des légumes.

Réglez la commande à **LO** pour abaisser le degré d'humidité dans le tiroir pour la conservation des fruits.



Clayette déli transformable

Le Clayette déli transformable a sa propre arrivée d'air froid pour permettre à un courant d'air en provenance du compartiment congélateur d'arriver au contenant.

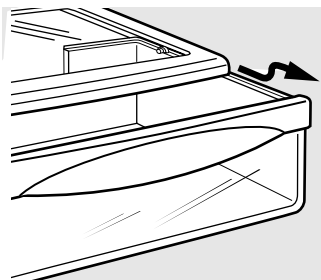
Le réglage de température variable contrôle la circulation d'air en provenance du régulateur de température.

Réglez la température à la position **froid maximum** pour conserver des viandes fraîches.

Réglez la température à la position **froid** pour ramener le contenant à une température normale de réfrigération et l'utiliser comme espace supplémentaire pour les légumes. Cela coupe l'entrée d'air froid. Vous pouvez choisir une température intermédiaire entre ces deux extrêmes.

Enlèvement des contenants.

Toutes les caractéristiques ne sont pas disponibles sur tous les modèles.



Enlèvement des contenants

Vous pouvez facilement enlever les bac à légumes supérieurs en les tirant droit et en les soulevant au dessus de leur position **d'arrêt**.

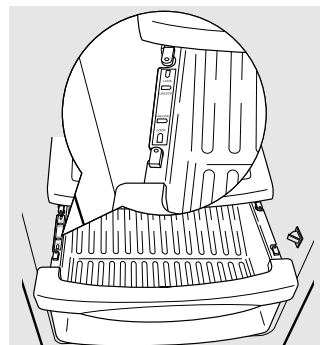
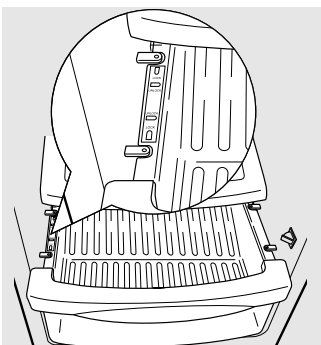
Si la porte vous empêche d'enlever les tiroirs, essayez d'abord d'enlever les bacs à porte. Si la porte n'offre pas assez d'espace libre, vous devez rouler le réfrigérateur vers l'avant jusqu'à ce que la porte s'ouvre suffisamment pour vous permettre d'enlever les tiroirs. Parfois, pour faire sortir le réfrigérateur, vous devez le faire aller vers la gauche ou vers la droite en le roulant.

Pour enlever le bac à légumes inférieur :

- 1 Tirez le tiroir en position d'arrêt.
- 2 Faites tourner les quatre verrous en position de déverrouillage.
- 3 Faites sortir le tiroir en soulevant son avant et en tirant vers vous.

Pour replacer le bac à légumes inférieur :

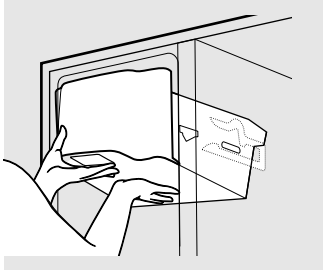
- 1 Assurez-vous que les quatre verrous soient en position de déverrouillage.
- 2 Placez les côtés du tiroir dans les soutiens de tiroir, en vous assurant que les verrous soient sur les fentes du tiroir.
- 3 Verrouillez les quatre verrous en les tournant en position de verrouillage.



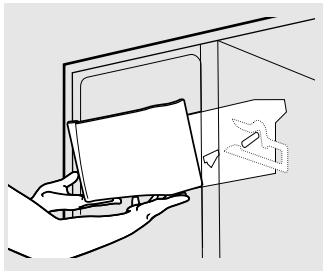
Machine à glaçons automatique.

Il faut prévoir entre 12 et 24 heures avant qu'un réfrigérateur nouvellement installé commence à produire des glaçons.

Dans le cas des modèles avec distributeur, pour atteindre la glace ou l'interrupteur :

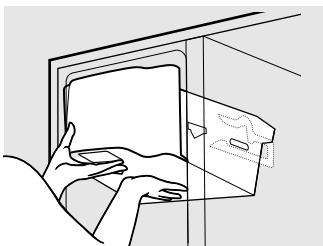


- 1 Soulevez le tiroir, puis tirez vers l'avant jusqu'à son arrêt.

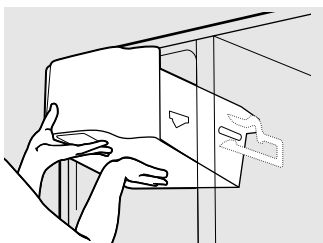


- 2 Abaissez le tiroir pour avoir accès aux glaçons ou pour atteindre le commutateur de marche.

NOTE : Afin de tirer pleinement avantage du tiroir basculant, la taille des articles déposés sur la clayette en dessous du tiroir à glaçons ne doit pas excéder le point le plus bas de ce tiroir.



- 1 Soulevez le tiroir, puis tirez vers l'avant jusqu'à son arrêt.



- 2 Soulevez et tirez à nouveau vers l'avant pour l'enlever.

Machine à glaçons automatique

La machine à glaçons produira environ 7 glaçons par cycle—soit environ 100–130 glaçons toutes les 24 heures—selon la température du congélateur, la température ambiante, la fréquence d'ouverture des portes et d'autres conditions d'utilisation.

Si vous mettez votre réfrigérateur en marche avant que la machine à glaçons ne soit alimentée en eau, mettez l'interrupteur d'alimentation à la position **0 (arrêt)**.

Lorsque la conduite d'eau est raccordée au réfrigérateur, mettez l'interrupteur d'alimentation à la position **1 (marche)**.

La machine à glaçons se remplit d'eau lorsqu'elle atteint le point de -10°C (15°F). Il faut prévoir entre 12 et 24 heures avant qu'un réfrigérateur nouvellement installé commence à produire des glaçons.

Vous entendrez un bourdonnement chaque fois que la machine à glaçons se remplit d'eau.

Jetez les premiers lots de glaçons afin d'éliminer les impuretés provenant de la conduite d'eau.

Assurez-vous que rien ne gêne le mouvement du bras régulateur.

Si le bac à glaçons est plein jusqu'au niveau du bras régulateur, la machine à glaçons s'arrête de produire des glaçons. Il est normal que plusieurs glaçons soient collés entre eux.

Lorsque vous n'utilisez pas souvent de glaçons, les vieux glaçons perdent leur transparence, prennent un goût désagréable, et diminuent de taille.

Note particulière au sujet des modèles avec distributeur :

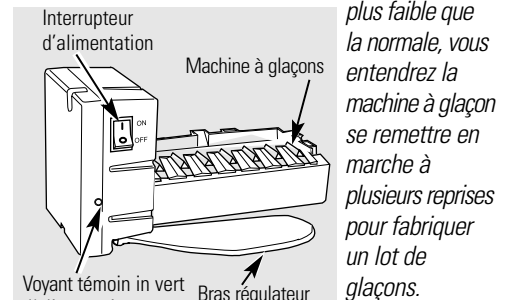
Les modèles avec distributeur sont munis d'un tiroir à glace basculant. Le tiroir peut basculer comme indiqué sur les illustrations, et il se maintiendra en position élevée lorsque vous prendrez de la glace ou mettez l'interrupteur de la machine à glaçons en position Marche ou Arrêt. Assurez-vous de remettre le tiroir en place avant de fermer la porte.

Pour restaurer votre niveau de glaçons lorsque le seau est vide, nous recommandons de suivre les étapes suivantes :

- 1 12 heures après la première chute de glaçons dans le tiroir, distribuez 3 à 4 cubes.
- 2 Après une autre période de 6 heures, distribuez 3 à 4 cubes de nouveau.

Cette procédure restaurera votre niveau de glaçons dans la plus brève période possible.

NOTE : Dans les maisons où la pression de l'eau est

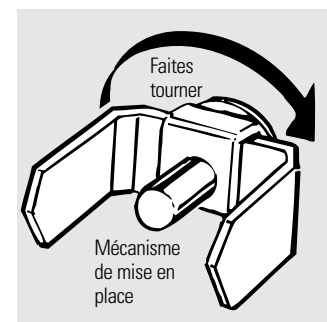


Enlèvement du tiroir à glace (modèles avec distributeur)

ATTENTION : La glace pèse lourd quand le tiroir est plein.

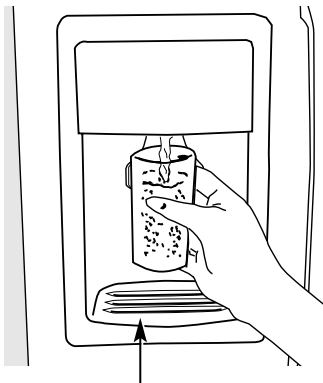
Réglez le bouton de réglage en position **0 (arrêt)** avant d'enlever le tiroir.

Quand vous remettez le tiroir, assurez-vous de le presser fermement en place. S'il ne va pas jusqu'au fond, enlevez-le et faites tourner le mécanisme de mise en place d'1/4 de tour. Repoussez alors le tiroir en place à nouveau.



Modèles avec distributeur seulement

Sur certains modèles



Bac de trop-plein

Pour utiliser le distributeur

Sélectionnez **CUBED ICE** (glaçons), **CRUSHED ICE** (glace concassée) ou **WATER** (eau).

Appuyez doucement le verre contre le haut du bras de distribution.

La clayette de trop-plein n'est pas munie d'un système d'écoulement. Pour réduire les taches d'eau, vous devez nettoyer régulièrement la clayette et sa grille.

S'il n'y a pas d'eau distribuée lorsque le réfrigérateur est initialement installé, il y a peut-être de l'air dans la conduite d'eau. Appuyez sur la commande de distribution pendant deux minutes au minimum pour expulser l'air de la conduite d'eau et remplir le réservoir d'eau. Afin d'éliminer les éventuelles impuretés provenant de la conduite d'eau, jetez les six premiers verres d'eau.

ATTENTION : Ne mettez jamais les doigts ou d'autres objets dans l'ouverture du distributeur.

Verrouillage du distributeur



Appuyez sur la touche **LOCK CONTROL** (réglage du verrouillage) pendant 3 secondes pour verrouiller le distributeur et le panneau de réglage. Pour déverrouiller, appuyez sur la touche et tenez-la enfoncée pendant encore 3 secondes.

Lumière du distributeur



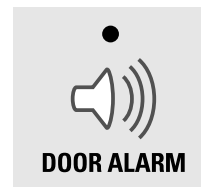
Cette touche allume et éteint **la lumière du distributeur**. Vous allumez également la lumière en appuyant sur le bras de distribution. Si cette ampoule brûle, vous devez la remplacer par une ampoule d'au maximum 6 watts 12 volts.

Glace rapide



Si vous avez besoin de glace rapidement, appuyez sur cette touche pour accélérer la production de glace. Cela augmente la production de glace pendant les 48 heures suivantes ou jusqu'à ce que vous appuyez à nouveau sur cette touche.

Door Alarm

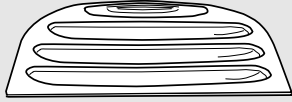


Pour mettre en marche le signal sonore, appuyez sur cette touche pour allumer l'indicateur lumineux. Ce signal sonne si l'une des portes reste ouverte plus de 3 minutes. La lumière s'éteint et le signal sonore s'arrête quand vous fermez la porte.

Renseignements importants concernant votre distributeur

- N'ajoutez pas dans le bac à glaçons des glaçons non fabriqués par votre machine à glaçons. Ils risquent d'être difficiles à concasser ou à distribuer.
- Évitez de trop remplir les verres de glaçons et d'utiliser des verres étroits ou très hauts. Le conduit peut se bloquer et le volet peut geler et coincer. S'il y a des glaçons qui bloquent le conduit, faites-les passer au moyen d'une cuillère en bois.
- Ne placez pas de boissons ou d'aliments dans le bac à glaçons pour les rafraîchir. Les boîtes, bouteilles et paquets alimentaires peuvent coincer la machine à glaçons ou la vis sans fin.
- Afin que la glace distribuée ne puisse manquer le verre, placer le verre à proximité mais sans toucher l'ouverture du distributeur.
- Même si vous avez sélectionné **CUBED ICE** (glaçons), il est possible que de la glace concassée tombe dans votre verre. Cela se produit de temps à autre lorsque plusieurs glaçons sont acheminés vers le broyeur.
- Après distribution de la glace concassée, de l'eau peut s'écouler du conduit.
- Parfois, un peu de givre se forme sur le volet du conduit à glace. Ce phénomène est normal et se produit en général après des distributions répétées de glace concassée. Le givre va éventuellement évaporer.

Entretien et nettoyage du réfrigérateur.



Zone de ramasse-gouttes du répartiteur.

Nettoyage de l'extérieur

Le bac de trop-plein du distributeur (sur certains modèles) devrait être soigneusement essuyé. Vous pouvez éliminer les dépôts calcaires laissés par les taches d'eau en trempant le bac dans du vinaigre non dilué. Laissez tremper jusqu'à ce que les dépôts disparaissent ou soient suffisamment ramollis pour être éliminés par rinçage.

Le bras de distribution (sur certains modèles). Avant nettoyage, appuyez pendant 3 secondes sur la touche **LOCK CONTROL**. Nettoyez-la au moyen d'une solution d'eau et de bicarbonate de soude—environ 15 ml à soupe (une cuillère) de bicarbonate de soude par 1 liter (pinte) d'eau. Rincez bien et essuyez.

Les poignées de porte et leur garniture. Nettoyez-les au moyen d'un linge humecté d'eau savonneuse. Séchez avec un linge doux.

Vous pouvez nettoyer les panneaux et les poignées de porte en acier inoxydable (sur certains modèles) avec un nettoyant d'acier inoxydable vendu sur le marché, comme le *Stainless Steel Magic*.™

Vous trouverez le *Stainless Steel Magic* chez Ace, True Value, Servistar, HWI et dans d'autres magasins connus. Vous pouvez également le commander en vous adressant au Service de pièces et accessoires GE par téléphone au numéro 1.888.261.3055. Commandez la pièce numéro WX10X15.

N'utilisez pas de cire pour appareils ménagers sur l'acier inoxydable.

Gardez l'extérieur du réfrigérateur propre. Essuyez-le avec un linge propre légèrement humecté de cire pour appareils électroménagers ou d'un détergent liquide doux pour la vaisselle. Séchez et polissez avec un linge doux et propre.

N'essayez pas le réfrigérateur avec un linge à vaisselle sale ou une serviette humide : ils pourraient laisser un résidu qui pourra endommager la peinture. N'utilisez pas de tampons à récurer, de produits nettoyants en poudre, de javellisants ou de produits nettoyants contenant un javellisant, car ces produits peuvent égratigner la peinture et la rendre moins résistante.

Nettoyage de l'intérieur

Pour éviter les mauvaises odeurs, laissez une boîte ouverte de bicarbonate de soude dans les compartiments réfrigérateur et congélateur.

Débranchez le réfrigérateur avant de le nettoyer. S'il est trop difficile de le faire, essorez bien votre linge ou votre éponge pour enlever l'excès d'eau lorsque vous nettoyez autour des interrupteurs, des lampes ou des commandes.

Utilisez une solution d'eau tiède et de bicarbonate de soude—environ 15 ml à soupe (une cuillère) de bicarbonate de soude par 1 liter (pinte) d'eau—afin de nettoyer tout en neutralisant les odeurs. Rincez et essuyez bien.

L'utilisation de solutions nettoyantes autres que celles que nous recommandons, plus particulièrement celles contenant des distillats de pétrole peut fissurer ou endommager l'intérieur du réfrigérateur.

Évitez de nettoyer les clayettes en verre (sur certains modèles) encore froides dans de l'eau chaude car elles risquent de se casser à cause de l'écart excessif de température. Manipulez les clayettes en verre avec prudence. Si vous cognez le verre trempé, il pourra se briser.

Ne lavez aucune pièce de plastique du réfrigérateur au lave-vaisselle.

Derrière le réfrigérateur

Prenez un soin particulier lorsque vous éloignez le réfrigérateur du mur. Tous les types de revêtements de sol peuvent être endommagés, particulièrement ceux qui sont coussinés ou dont la surface est gaufrée.

Tirez le réfrigérateur en ligne droite et, lorsque vous le remettez en place, poussez-le vers le mur en ligne droite. Les déplacements latéraux du réfrigérateur pourraient endommager le revêtement de sol ou le réfrigérateur.

Lorsque vous remettez le réfrigérateur en place en le poussant, veillez à ne pas le faire rouler sur le cordon d'alimentation ou sur la conduite d'eau de la machine à glaçons.

Départ en vacances

Lorsque vous vous absentez pendant une période prolongée, videz et débranchez le réfrigérateur. Nettoyez l'intérieur avec une solution d'eau et de bicarbonate de soude, à raison d'une cuillère à soupe (15 ml) de bicarbonate par pinte (1 L) d'eau. Laissez les portes ouvertes.

Mettez l'interrepteur d'alimentation de la machine à glaçons à la position **0 (arrêt)** et fermez l'alimentation d'eau au réfrigérateur.

Si la température risque de descendre sous le point de congélation, demandez à un réparateur de vidanger la conduite d'eau afin d'éviter les dégâts sérieux causés par les inondations.

Déménagement

Immobilisez tous les éléments amovibles, tels que les clayettes et les bacs, à l'aide de ruban gommé pour éviter de les endommager.

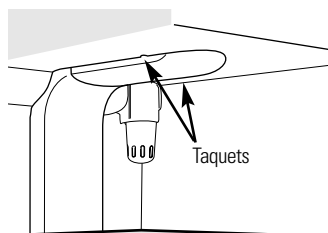
Si vous utilisez un charriot pour déménager le réfrigérateur, ne laissez jamais le devant ou le derrière du réfrigérateur reposer

contre le charriot. Cela pourrait endommager le réfrigérateur. Ne transportez le réfrigérateur que par les côtés.

Assurez-vous que le réfrigérateur demeure debout pendant son déménagement.

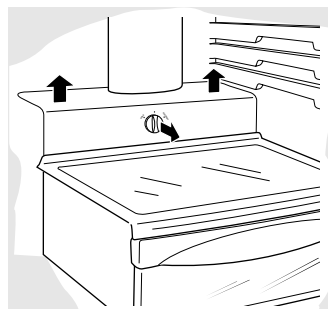
Remplacement des ampoules.

Lorsque vous réglez les commandes sur **OFF** (Arrêt), l'alimentation électrique de l'ampoule n'est pas coupée.



Compartiment réfrigérateur—lampe supérieure

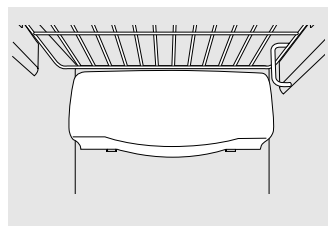
- 1 Débranchez le réfrigérateur.
- 2 Les ampoules se trouvent en haut du compartiment, à l'intérieur du pare-lumière. Sur certains modèles, vous devez enlever une vis qui se trouve à l'avant de l'écran.
- 3 Pour enlever l'écran à lumière, sur certains modèles, appuyez sur les taquets situés de côté de l'écran et faites sortir en faisant glisser vers l'avant. Sur d'autres modèles faites simplement glisser vers l'avant et faites sortir.
- 4 Après avoir remplacé l'ampoule par une ampoule d'appareil électroménager de même puissance ou de puissance inférieure, remettez le pare-lumière et les vis (sur certains modèles). Pour remettre le pare-lumière, assurez-vous que les taquets qui se trouvent à l'arrière du pare-lumière aillent dans les trous qui se trouvent à l'arrière du boîtier.
- 5 Rebranchez le réfrigérateur.



Compartiment réfrigérateur—lampe inférieure

Cette lumière se trouve au dessus du tiroir d'en haut.

- 1 Débranchez le réfrigérateur.
- 2 Enlevez le bouton de réglage du tiroir à viande transformable en le tirant droit.
- 3 Soulevez le pare-lumière et enlevez-le en tirant.
- 4 Après avoir remplacé l'ampoule par une ampoule d'appareil électroménager de même puissance ou de puissance inférieure, remettez le pare-lumière et le bouton.
- 5 Rebranchez le réfrigérateur.



Compartiment congélateur

- 1 Débranchez le réfrigérateur.
- 2 Enlevez la clayette qui se trouve juste au dessus du pare-lumière (vous pouvez enlever cette clayette plus facilement après l'avoir vidée). Sur certains modèles, vous devez enlever une vis qui se trouve en haut du pare-lumière.
- 3 Pour enlever le pare-lumière, appuyez sur les côtés et enlevez en soulevant.
- 4 Remplacez l'ampoule par une ampoule d'appareil électroménager de même puissance ou de puissance inférieure, puis remontez le pare-lumière. Pour remonter le pare-lumière, assurez-vous que les taquets du haut soient solidement fixés en place. Remettez la vis (sur certains modèles).
- 5 Remontez la clayette et rebranchez le réfrigérateur.

Distributeur (sur certains modèles)

- 1 Débranchez le réfrigérateur.
- 2 L'ampoule se trouve sur le distributeur sous le panneau de réglage. Enlevez l'ampoule en la faisant tourner dans le sens opposé à celui des aiguilles d'une montre.
- 3 Remplacez l'ampoule par une ampoule de même taille et de même puissance.
- 4 Rebranchez le réfrigérateur.

Ensembles de moulures et de panneaux décoratifs.

Pour les modèles «CustomStyle™»

Veillez lire toutes les directives attentivement.



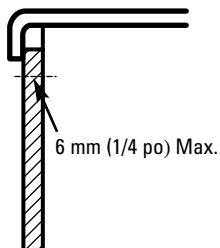
Avant de commencer

Certains modèles sont munis de garnitures qui vous permettent de monter des panneaux de porte. Vous pouvez commander des panneaux de décoration pré-découpés des couleurs suivantes : noir, blanc, bisque ou acier inoxydable au service de Pièces et accessoires GE, 1.888.261.3055 ou vous pouvez ajouter des panneaux de bois qui vont avec votre cuisine.

Panneaux de moins de 6 mm (1/4 po) d'épaisseur

Lorsque vous installez des panneaux de bois ayant moins de 6 mm (1/4 po) d'épaisseur, vous aurez besoin d'un panneau de remplissage entre la porte et le panneau de bois, tel que du carton de 3 mm (1/8 po). Si vous installez un panneau décoratif pré-coupé, un panneau de remplissage pré-coupé est fourni dans l'ensemble. L'épaisseur totale du panneau décoratif ou de bois avec le panneau de remplissage doit être de 6 mm (1/4 po).

Panneaux dont l'épaisseur est égale ou inférieure à 6 mm (1/4 po)



Panneau de 19 mm (3/4 po) ou surélevé

Vous pouvez utiliser un panneau surélevé vissé ou collé sur un panneau de base de 6 mm (1/4 po) d'épaisseur, ou un panneau fraisé de 19 mm (3/4 po). La partie surélevée du panneau doit être fabriquée de façon à offrir un dégagement pour les doigts d'au moins 51 mm (2 po) du côté de la poignée.

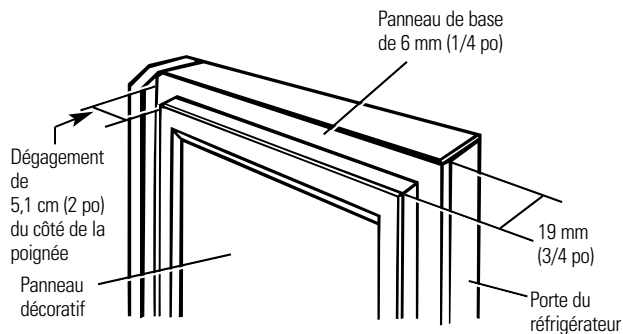
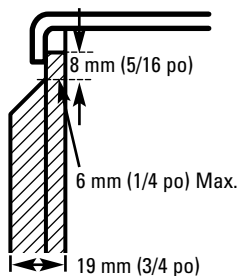
Les panneaux plus épais que 6 mm (1/4 po) jusqu'à 19 mm (3/4 po) au maximum exigeront que le pourtour extérieur de 8 mm (5/16 po) du panneau ne soit pas plus épais que 6 mm (1/4 po).

Limites de poids pour les panneaux personnalisés :

Réfrigérateur : 17 kg (38 livres) max.

Congélateur : 13 kg (28 livres) max.

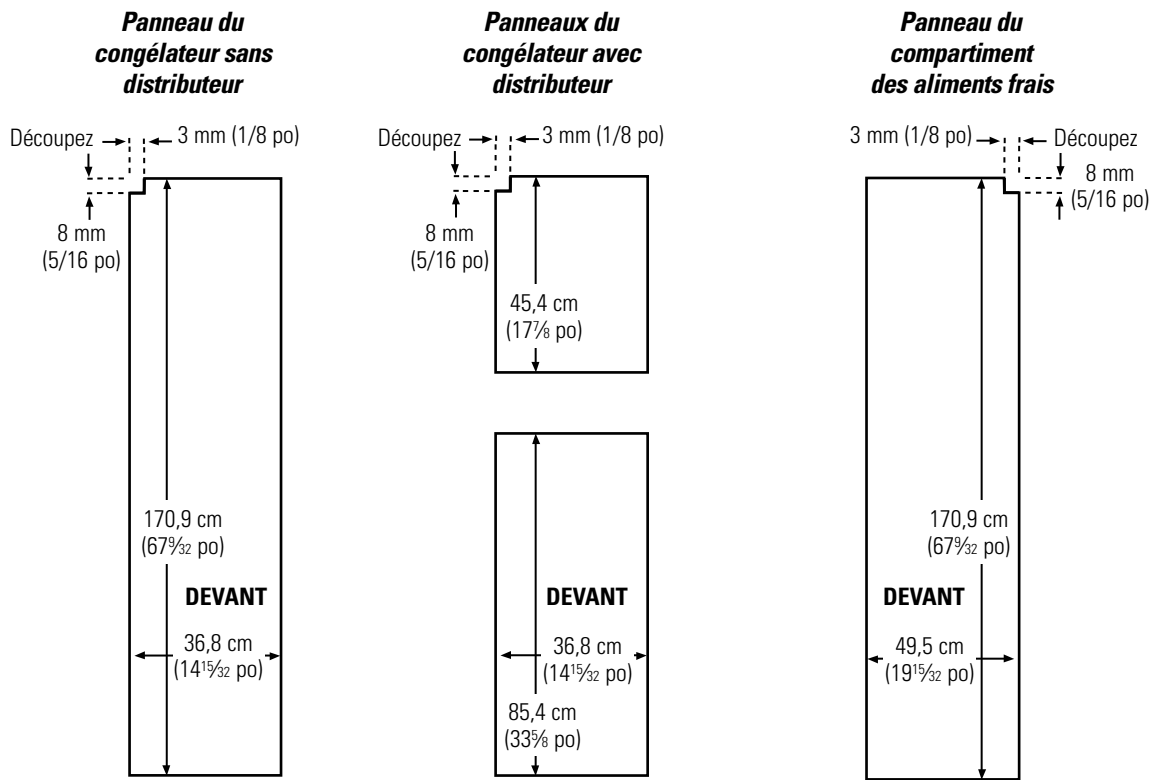
Panneaux plus épais que 6 mm (1/4 po)



Ensembles de moules et de panneaux décoratifs.

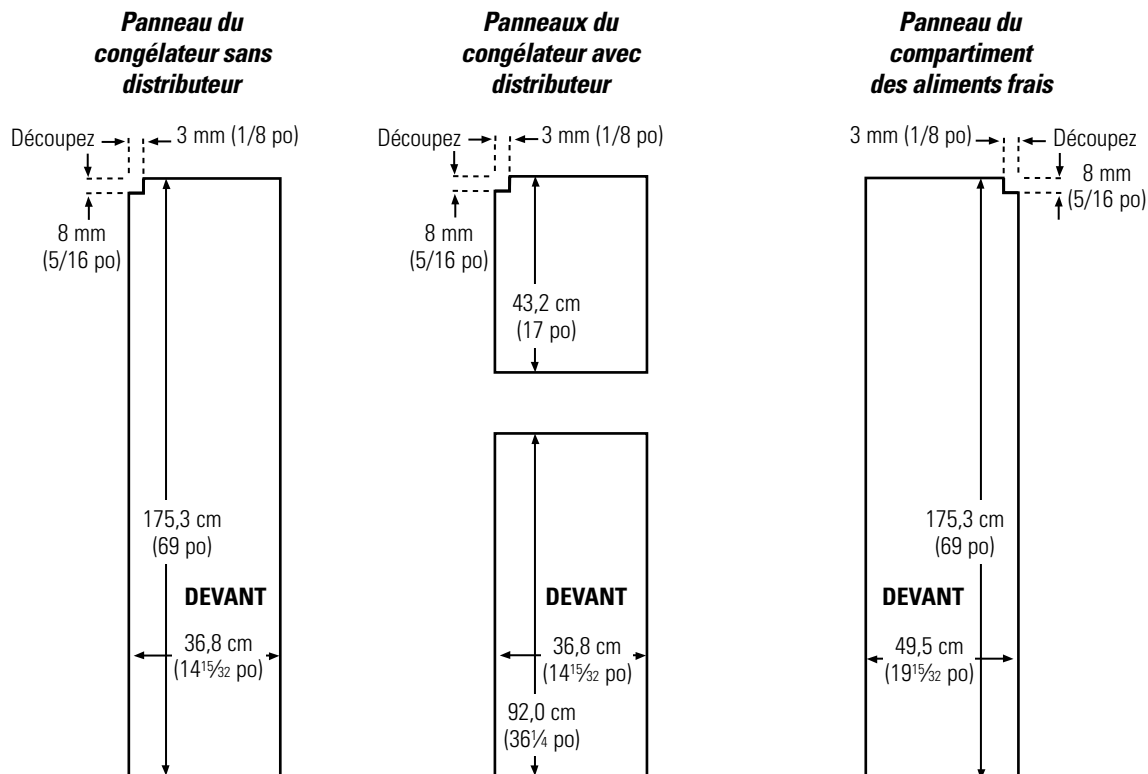
23' Dimensions pour les panneaux de bois sur mesure

Les parties supérieures des panneaux doivent être découpées dans les panneaux.



25' Dimensions « CustomStyle™ » pour les panneaux de bois sur mesure

Les parties supérieures des panneaux doivent être découpées dans les panneaux.



Installation des panneaux de porte.

Veillez lire toutes les directives attentivement.

1 Insérez les panneaux du congélateur et du réfrigérateur.

Poussez délicatement sur le panneau supérieur du congélateur jusqu'à ce qu'il soit inséré dans la rainure derrière la poignée de porte. Poussez le panneau de remplissage (nécessaire avec certains panneaux de porte) derrière le panneau décoratif. Faites la même chose avec le panneau du réfrigérateur.

Si votre modèle est doté d'un distributeur, cette étape ne s'applique qu'au panneau du réfrigérateur et au panneau supérieur du congélateur.

2 Insérez le panneau inférieur du congélateur (sur les modèles à distributeur).

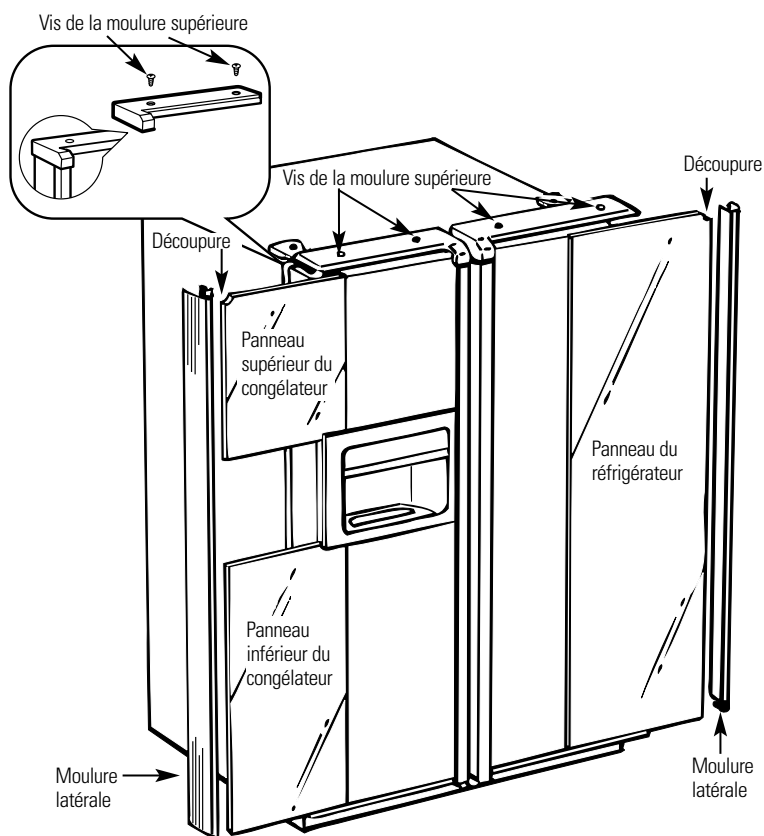
Poussez délicatement sur le panneau jusqu'à ce qu'il soit inséré dans la rainure derrière la poignée de porte. Poussez le panneau de remplissage (nécessaire avec certains panneaux de porte) derrière le panneau décoratif.

3 Attachez la moulure supérieure de la porte du congélateur et du réfrigérateur.

La moulure supérieure se trouve à l'intérieur du compartiment du réfrigérateur.

moulure. Serrez à la main seulement. Assurez-vous que le haut de chaque panneau est bien aligné sous le rebord de sa moulure supérieure.

À l'aide d'une clé à torsion T-20, fixez les moulures supérieures en utilisant deux vis en haut de chaque



Installation des panneaux de porte.

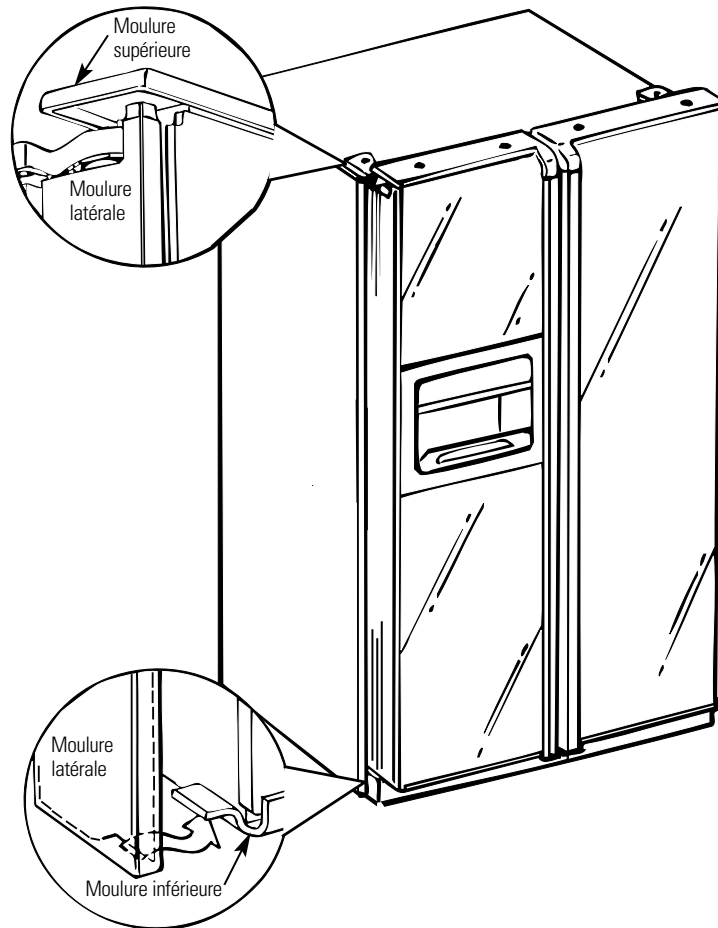
4 Installez la moulure latérale.

Ces pièces se trouvent à l'intérieur de la poignée de porte du compartiment réfrigérateur.

N'enlevez pas la pellicule protectrice qui se trouve à l'extérieur de la moulure latérale avant d'avoir installé la moulure latérale.

Insérez la partie inférieure de la moulure latérale sous la moulure inférieure comme illustré.

Tenez la moulure latérale contre la partie avant des panneaux décoratifs, puis installez la moulure latérale sous la moulure supérieure. Assurez-vous que la moulure latérale magnétiquement fixée est correctement installée et que vous êtes satisfait de l'aspect général des pièces.



Instructions d'installation

Réfrigérateur

Modèles 23, 25, 26, 27 et 29

Questions? Appelez le 1.800.361.3400 ou Visitez notre site Web à l'adresse : electromenagersge.ca

AVANT DE COMMENCER

Veuillez lire toutes les directives attentivement.

- **IMPORTANT** — Conservez ces instructions pour l'inspecteur local.
- **IMPORTANT** — Respectez toutes les ordonnances et les codes locaux.
- **Note à l'installateur** – Assurez-vous de laisser ces instructions au consommateur.
- **Note au consommateur** – Conservez ces instructions pour référence future.
- **Niveau de compétence** – L'installation de cet appareil nécessite des compétences mécaniques de base.
- **Temps d'installation** – Installation du réfrigérateur
30 minutes
Installation de la conduite d'eau
30 minutes
- L'installateur est responsable de bien installer ce réfrigérateur.
- Toute panne du produit due à une mauvaise installation n'est pas couverte par la garantie.

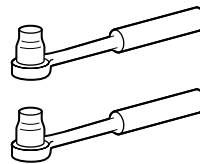
Si le réfrigérateur a déjà été installé, enlevez la grille de base (voir l'étape 2 de la section Déménagement du réfrigérateur), puis sautez à l'étape 5 de la section Installation du réfrigérateur.

PREPARATION

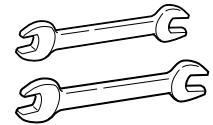
ALIMENTATION D'EAU DE LA MACHINE À GLAÇONS

Si votre réfrigérateur a une machine à glaçons, il faut le brancher à une conduite d'eau froide. Vous pouvez acheter une trousse d'alimentation d'eau GE (contenant la tuyauterie, le robinet d'arrêt, les joints et les instructions) chez votre revendeur ou en vous adressant à notre site Web à l'adresse electromenagersge.ca ou à notre service de Pièces et accessoires au numéro de téléphone 1.888.261.3055.

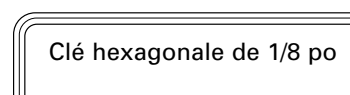
OUTILS REQUIS



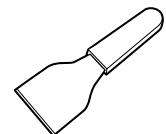
Clé à douille, 3/8 po et 5/16 po



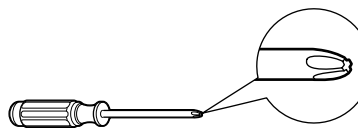
Clé, 1/2 et 7/16 po



Clé hexagonale de 1/8 po



Couteau à mastiquer en plastique



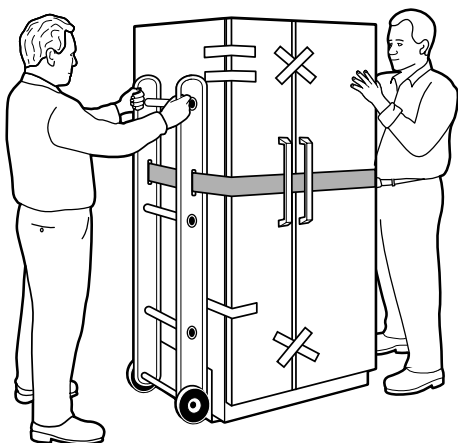
Tournevis cruciforme

DÉMÉNAGEMENT DU RÉFRIGÉRATEUR

1 CHARGEMENT DU RÉFRIGÉRATEUR SUR UN CHARIOT MANUEL

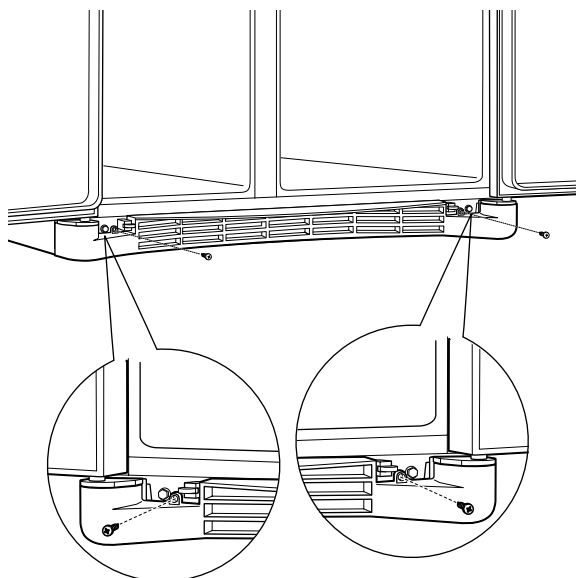
Laissez le ruban et les protecteurs sur les portes jusqu'à ce que le réfrigérateur arrive à destination.

Pour transporter le réfrigérateur, utilisez un chariot manuel rembourré. Centrez le réfrigérateur sur le chariot et entourez-le d'une courroie. **NE SERREZ PAS LA COURROIE EXCESSIVEMENT.**



2 ENLEVEZ LA GRILLE DE BASE

Enlevez la grille en retirant les deux vis à tête cruciforme.



Si le réfrigérateur doit passer par une ouverture de moins de 38 po de largeur, ses portes doivent être enlevées. Passez à l'étape 3.

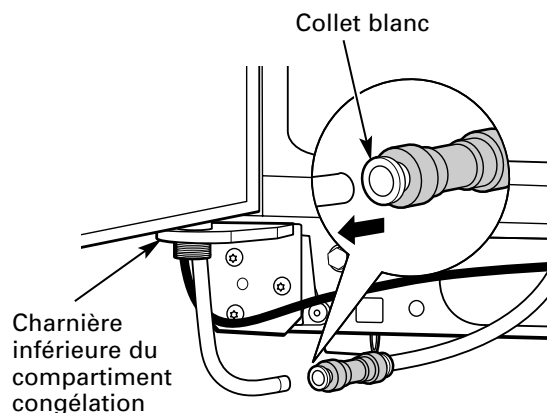
N'ENLEVEZ PAS les poignées.

Si toutes les ouvertures ont plus de 38 po de largeur, sautez à la section *Installation du réfrigérateur.*

3 DÉBRANCHEZ LE RACCORD D'ALIMENTATION D'EAU (sur certains modèles)

Si le compartiment réfrigération est doté d'un rafraîchisseur d'eau, alors il faut débrancher la conduite d'eau qui part de la carrosserie et s'insère dans la charnière inférieure de la porte du compartiment congélation.

Pour débrancher, poussez sur le collet blanc du raccord puis tirez sur le tube.

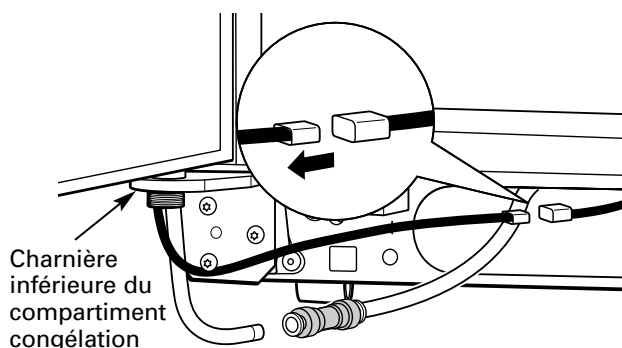


Instructions d'installation

4 DÉBRANCHEZ LE RACCORD D'ALIMENTATION ÉLECTRIQUE (sur certains modèles)

Si le compartiment réfrigération est doté d'un rafraîchisseur d'eau, alors il faut débrancher la conduite électrique (faisceau) qui part de la carrosserie et s'insère dans la charnière inférieure de la porte du compartiment congélation.

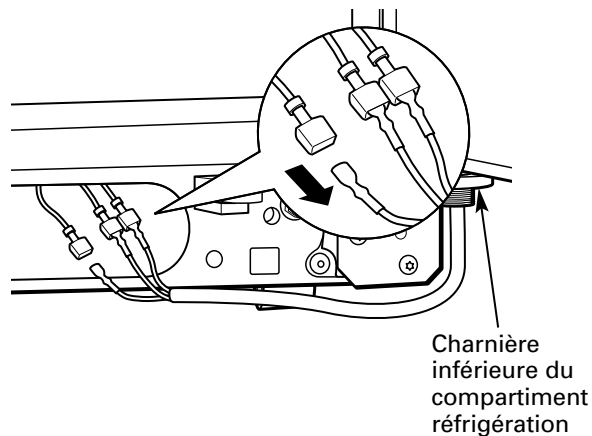
Pour débrancher, tirez de chaque côté du raccord.



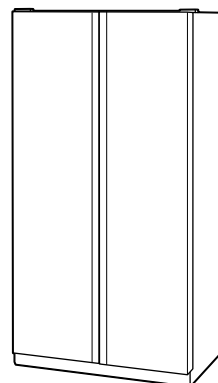
5 DÉBRANCHEZ LES CONNECTEURS ÉLECTRIQUES (sur certains modèles)

Si le compartiment réfrigération est doté d'un centre de rafraîchissement, alors il faut débrancher les connecteurs électriques (faisceaux) qui partent de la carrosserie et s'insèrent dans la charnière inférieure du compartiment réfrigération.

Pour débrancher, tirez de chaque côté des connecteurs.

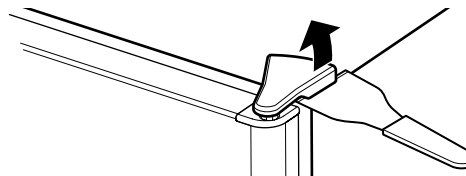


6 FERMEZ LES PORTES DES COMPARTIMENTS CONGÉLATION ET RÉFRIGÉRATION



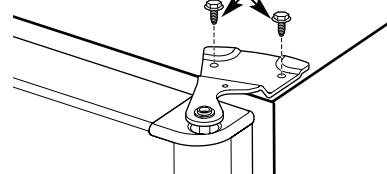
7 ENLEVEZ LA PORTE DU COMPARTIMENT CONGÉLATION

- A** Enlevez le couvercle de la charnière supérieure (si ainsi équipé) de la porte du compartiment congélation, soit en le pressant et le tirant vers le haut, soit en le dégageant à l'aide d'un couteau à mastiquer en plastique.

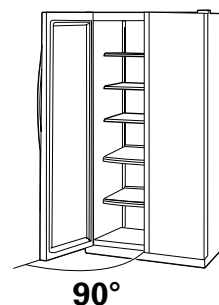


- B** Enlevez les deux vis à tête hexagonale 5/16 po ou 1/8 po, puis soulevez la charnière en ligne droite pour dégager l'axe de charnière.

Tête hexagonale 5/16 po ou 1/8 po



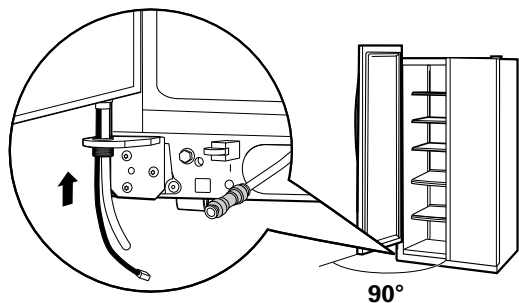
- C** Ouvrez la porte du compartiment congélation à 90°.



DÉMÉNAGEMENT DU RÉFRIGÉRATEUR (SUITE)

7 ENLEVEZ LA PORTE DU COMPARTIMENT CONGÉLATION (suite)

- D** Pendant qu'une personne soulève lentement la porte du compartiment congélation pour la dégager de la charnière inférieure, une deuxième personne doit minutieusement guider la conduite d'eau et la conduite électrique (faisceau) à travers la charnière inférieure.

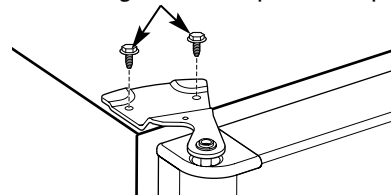


- E** Placez la porte sur une surface lisse pour la protéger des égratignures, l'intérieur vers le haut.

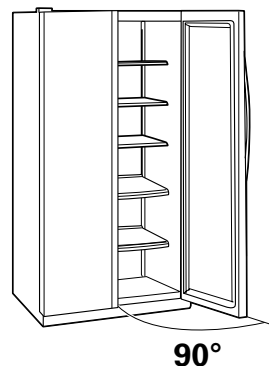
8 ENLEVEZ LA PORTE DU COMPARTIMENT RÉFRIGÉRATION (suite)

- B** Enlevez les deux vis à tête hexagonale 5/16 po ou 1/8 po, puis soulevez la charnière en ligne droite pour dégager l'axe de charnière.

Tête hexagonale 5/16 po ou 1/8 po

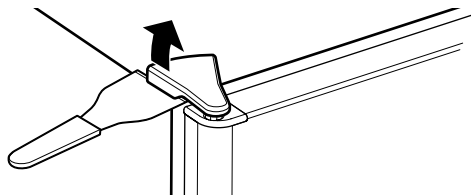


- C** Ouvrez la porte du compartiment réfrigération à 90°.



8 ENLEVEZ LA PORTE DU COMPARTIMENT RÉFRIGÉRATION

- A** Enlevez le couvercle de la charnière supérieure (si ainsi équipé) de la porte du compartiment réfrigération, soit en le pressant et le tirant vers le haut, soit en le dégageant à l'aide d'un couteau à mastiquer en plastique.

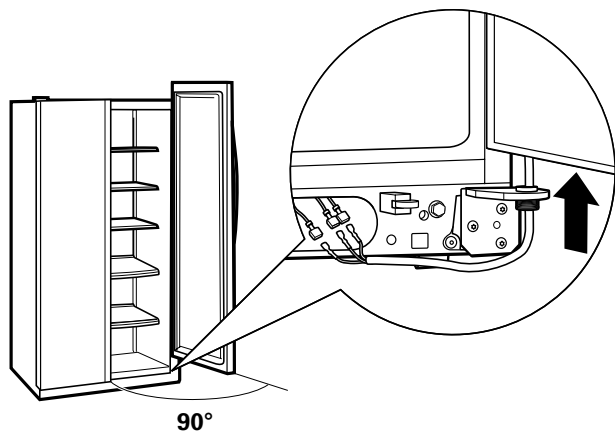


Instructions d'installation

8 ENLEVEZ LA PORTE DU COMPARTIMENT RÉFRIGÉRATION (suite)

- D** Soulevez la porte du compartiment réfrigération pour la dégager de la charnière inférieure.

Si le compartiment réfrigération est doté d'un centre de rafraîchissement, une personne doit soulever lentement la porte pour la dégager de la charnière inférieure, pendant qu'une deuxième personne guide minutieusement les conduites électriques (faisceaux) à travers la charnière inférieure.



Modèles dotés d'un centre de rafraîchissement seulement

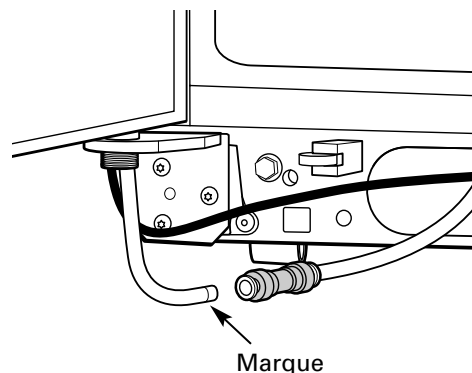
- E** Placez la porte sur une surface lisse pour la protéger des égratignures, l'intérieur vers le haut.

9 REMISE EN PLACE DES PORTES

Pour replacer les portes, inversez simplement les étapes 3 à 8.

Veillez cependant noter les points suivants :

- Au moment d'abaisser les portes sur les charnières inférieures, une deuxième personne doit guider minutieusement le tube et les faisceaux électriques à travers les ouvertures des charnières.
- Lorsque vous branchez la conduite d'eau, assurez-vous d'insérer le tube jusqu'à la marque.



- Ne pincez pas le tube et les faisceaux électriques lorsque vous placez les portes sur les charnières inférieures.
- Lorsque vous branchez la ou les conduites électriques (plusieurs conduites seulement sur les modèles dotés d'un centre de rafraîchissement), assurez-vous que les connecteurs sont complètement imbriqués.

Instructions d'installation

INSTALLATION DU RÉFRIGÉRATEUR

EMPLACEMENT DU RÉFRIGÉRATEUR

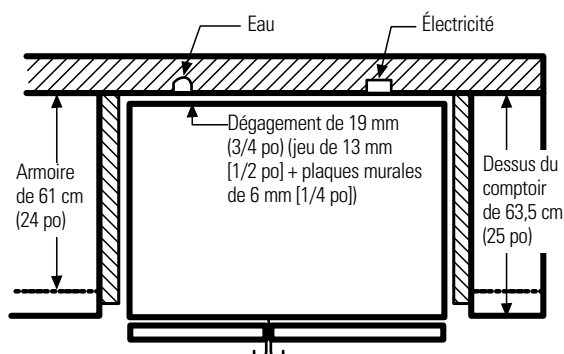
- N'installez jamais votre réfrigérateur dans un emplacement où la température ambiante sera inférieure à 16° C (60° F). Il ne se mettra pas en marche suffisamment souvent pour maintenir des températures convenables.
- N'installez jamais votre réfrigérateur dans un emplacement où la température ambiante sera supérieure à 37° C (100° F). Il ne fonctionnera pas bien.
- Installez votre réfrigérateur sur un plancher suffisamment solide pour le porter lorsqu'il est plein.

DÉGAGEMENTS

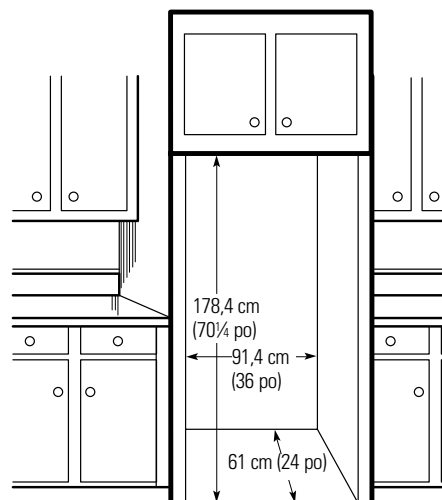
Prévoyez les dégagements suivants pour faciliter l'installation, la bonne circulation d'air et les raccordements de plomberie et d'électricité :

| | CustomStyle™ de 23' / 25' | 23' (33 po de largeur), 25', 26', 27', 29' |
|----------------|------------------------------|---|
| Côtés | 4 mm (1/8 po) | 4 mm (1/8 po) |
| Dessus | 25 mm (1 po) | 25 mm (1 po) |
| Arrière | 13 mm (1/2 po) | 25 mm (1 po) |

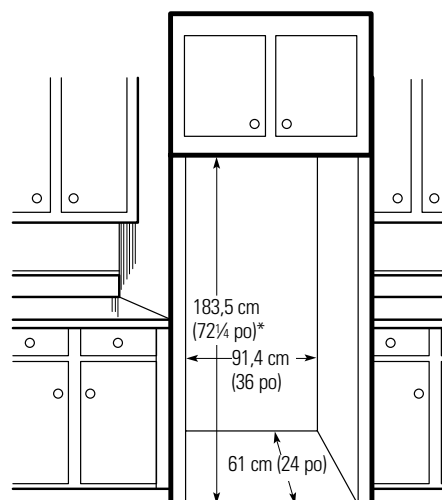
DIMENSIONS ET SPÉCIFICATIONS



DIMENSIONS ET SPÉCIFICATIONS (pour les modèles « CustomStyle™ » de 23')



DIMENSIONS ET SPÉCIFICATIONS (pour les modèles « CustomStyle™ » de 25')



*183,5 cm (72 1/4 po) sont nécessaires pour bien régler les roues de mobilité. Si les armoires placées sur le réfrigérateur ont des portes qui sont alignées au sommet de l'ouverture du réfrigérateur, vous pouvez avoir besoin de 1/8 po d'espace libre supplémentaire pour permettre une bonne ouverture des portes de l'armoire.

Instructions d'installation

1 BRANCHEMENT DU RÉFRIGÉRATEUR À LA CONDUITE D'EAU DE LA MAISON (modèles avec machine à glaçons et distributeur)

Une alimentation d'eau froide est requise pour faire fonctionner la machine à glaçons et le distributeur. Vous devrez en fournir une si elle n'existe pas. Voir la section *Installation de la conduite d'eau*.

NOTES :

- Avant de brancher la conduite au réfrigérateur, assurez-vous que le cordon d'alimentation électrique n'est pas branché à la prise murale.
- Si votre réfrigérateur n'est pas équipé de filtre à eau, nous recommandons d'en monter un si votre alimentation d'eau contient du sable ou des particules qui peuvent boucher la grille du robinet d'eau du réfrigérateur. Installez-le sur la conduite d'eau près du réfrigérateur. Si vous utilisez une trousse GE SmartConnect™ Refrigerator Tubing, vous aurez besoin d'un tuyau additionnel (WX08X10002) pour brancher le filtre. Ne coupez pas le tuyau de plastique pour installer le filtre.

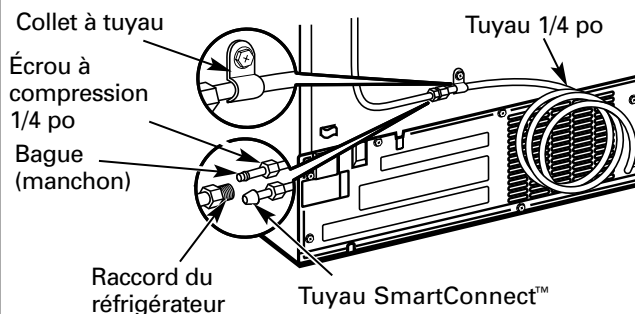
A Si vous utilisez un tuyau de cuivre, placez un écrou de compression et une bague (manchon) à l'extrémité du tuyau qui vient de l'alimentation d'eau froide de la maison.

Si vous utilisez un tuyau GE SmartConnect™, les écrous sont déjà assemblés au tuyau.

B Si vous utilisez un tuyau de cuivre, insérez aussi loin que possible l'extrémité du tuyau dans le raccord à l'arrière du réfrigérateur. Tout en tenant le tuyau, serrez le raccord.

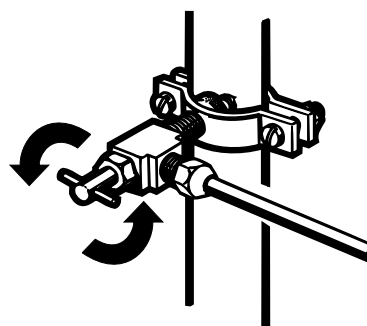
Si vous utilisez un tuyau GE SmartConnect™, insérez l'extrémité moulée du tuyau dans le raccord à l'arrière du réfrigérateur, puis serrez l'écrou à compression à la main. Serrez ensuite un autre tour à l'aide d'une clé. Un serrage excessif pourrait occasionner des fuites.

C Fixez le tuyau dans le collet (fourni) pour le maintenir en position. Il est possible que vous deviez écarter le collet.



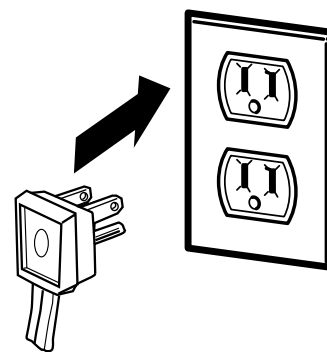
2 OUVREZ L'ALIMENTATION D'EAU

Ouvrez l'alimentation d'eau au niveau du robinet d'arrêt (l'alimentation d'eau de la maison) et vérifiez la présence de fuites.



3 BRANCHEZ LE CORDON DU RÉFRIGÉRATEUR DANS LA PRISE

Avant de brancher le réfrigérateur, assurez-vous que l'interrupteur de la machine à glaçons est à la position **O** (arrêt).



Lisez l'étiquette concernant la mise à la terre qui est attachée au cordon d'alimentation.

Instructions d'installation

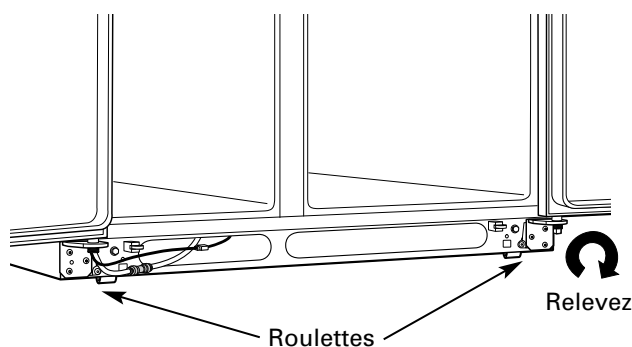
INSTALLATION DU RÉFRIGÉRATEUR (SUITE)

4 PLACEZ LE RÉFRIGÉRATEUR DANS SON EMPLACEMENT

Transportez le réfrigérateur jusqu'à sa destination.

5 METTEZ LE RÉFRIGÉRATEUR DE NIVEAU

La mise à niveau du réfrigérateur s'effectue en ajustant les roulettes situées près des charnières inférieures.

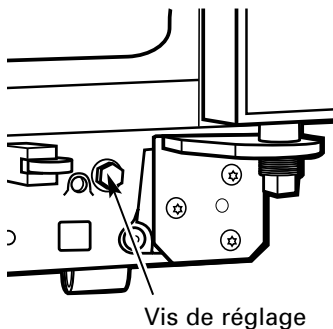


Les roulettes de nivellement jouent trois rôles :

- Elles peuvent être réglées pour que les portes se referment automatiquement lorsqu'elles sont à moitié ouvertes. (Réglez le bord inférieur avant du réfrigérateur à 16 mm [5/8 po] du sol.)
- Elles peuvent être réglées de manière à permettre à l'appareil de reposer solidement sur le sol et l'empêcher ainsi de branler.
- Elles vous permettent d'éloigner le réfrigérateur du mur pour le nettoyage.

Pour ajuster les roulettes sur les modèles de 23' / 25' :

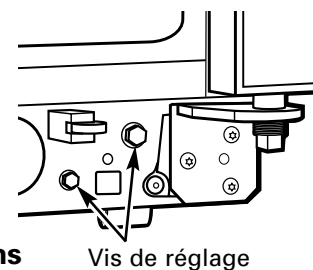
- Tournez les vis de réglage des roulettes **dans le sens des aiguilles d'une montre pour faire monter** le réfrigérateur, **dans le sens opposé à celui des aiguilles d'une montre pour le faire descendre**. Utilisez une douille hexagonale ou une clé de 3/8 po, ou une clé anglaise.



5 METTEZ LE RÉFRIGÉRATEUR DE NIVEAU (suite)

Pour ajuster les roulettes sur les modèles CustomStyle™ de 23' / 25' :

Tournez les vis de réglage des roulettes **dans le sens des aiguilles d'une**



montre pour faire monter le réfrigérateur, **dans le sens opposé à celui des aiguilles d'une montre pour le faire descendre**.

Utilisez une clé hexagonale de 3/8 po avec extension ou une clé anglaise.

Ces modèles ont aussi des roulettes arrière réglables, pour vous permettre d'aligner le réfrigérateur aux armoires de cuisine. Utilisez une clé hexagonale de 3/8 po. avec extension pour tourner les vis pour les roulettes arrière, dans le sens des aiguilles d'une montre pour faire monter le réfrigérateur, dans le sens opposé à celui des aiguilles d'une montre pour le faire descendre.

6 ALIGNER LES PORTES

Réglez les portes du réfrigérateur pour qu'elles soient bien alignées à la partie supérieure.

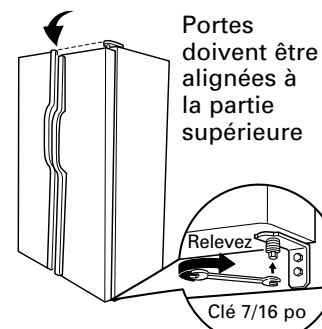
Pour aligner les portes :

- A** À l'aide d'une clé de 7/16 po, tournez la vis de réglage de la porte vers la droite pour relever la porte, ou vers la gauche pour l'abaisser.

NOTE :

Une douille de nylon, encastrée dans les filets de l'axe, empêchera celui-ci de tourner si l'on ne se sert pas d'une clé.

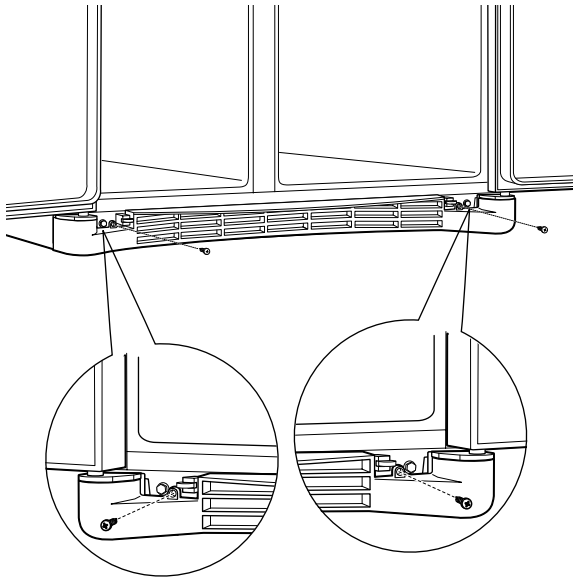
- B** Après avoir tourné la clé une ou deux fois, ouvrez et fermez la porte du réfrigérateur et vérifiez l'alignement des portes à la partie supérieure.



Instructions d'installation

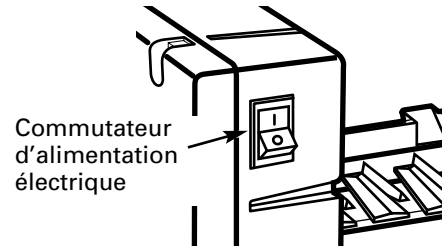
7 REMPLACEZ LA GRILLE DE BASE

Remplacez la grille de base en installant les deux vis à tête cruciforme (Phillips).



9 METTEZ EN MARCHÉ LA MACHINE À GLAÇONS

Mettez le commutateur de la machine à glaçons en position I (**marche**). La machine à glaçons ne se met en marche que lorsqu'elle atteint une température de fonctionnement de -9°C (15°F) ou moins. Elle commence immédiatement à fonctionner. Il faudra 2 à 3 jours pour remplir le bac à glaçons.

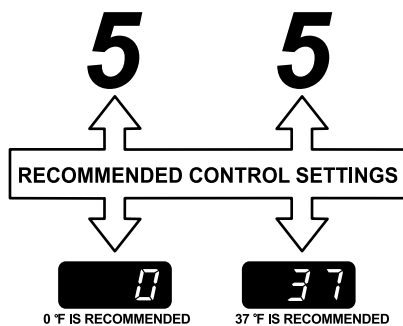


NOTE :

Si votre pression d'eau est trop faible, le robinet peut se remettre en marche jusqu'à trois fois pour envoyer suffisamment d'eau à la machine à glaçons.

8 RÉGLEZ LES COMMANDES

Réglez les commandes selon les recommandations.



Instructions d'installation

INSTALLATION DE LA CONDUITE D'EAU (SUR CERTAINS MODÈLES)

AVANT DE COMMENCER

Nous recommandons les trousse d'alimentation d'eau en cuivre WX8X2, WX8X3, WX8X4, selon la longueur de conduite dont vous avez besoin. Nous approuvons les conduites d'eau en matière plastique GE SmartConnect™ Refrigerator Tubing (WX08X10002, WX08X10006, WX08X10015 et WX08X10025).

Si vous branchez votre réfrigérateur à un système d'eau GE Reverse Osmosis, la seule installation approuvée est celle de la trousse GE RVKit. Pour les autres systèmes d'osmose de l'eau, suivez les recommandations du fabricant.

Si le réfrigérateur est alimenté en eau à partir d'un système de filtration d'eau par osmose inversée, ET si le réfrigérateur comporte également un filtre à eau, utilisez le bouchon du circuit de dérivation du filtre du réfrigérateur. Si la cartouche de filtration d'eau du réfrigérateur est utilisée en conjonction avec le système de filtration par osmose inversée, on peut observer une réduction du débit d'eau au point de puisage, et la production de cubes de glace creux.

Cette installation de conduite d'eau n'est pas garantie par le fabricant de réfrigérateur ou de machine à glaçons. Suivez soigneusement ces instructions pour minimiser le risque de dommages onéreux d'inondation.

Les coups de bélier (eau qui donne des coups dans les tuyaux) dans la tuyauterie de la maison peuvent occasionner des dommages aux pièces de votre réfrigérateur, ainsi que des fuites ou des inondations. Appelez un plombier certifié pour corriger les coups de bélier avant d'installer la conduite d'eau de votre réfrigérateur.

Pour prévenir toute brûlure et tout dommage à votre réfrigérateur, ne branchez jamais la conduite d'eau à une canalisation d'eau chaude.

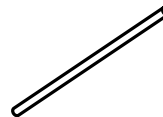
Si vous utilisez votre réfrigérateur avant de brancher la conduite d'eau, assurez-vous de laisser le commutateur de la machine à glaçons en position **O (arrêt)**.

N'installez jamais les tuyaux de la machine à glaçons dans des endroits où la température risque de descendre en dessous du point de congélation.

Si vous utilisez un outil électrique (comme une perceuse électrique) pendant l'installation, assurez-vous que l'isolement ou le câblage de cet outil empêche tout danger de secousse électrique.

Vous devez procéder à toutes vos installations conformément aux exigences de votre code local de plomberie.

CE DONT VOUS AUREZ BESOIN



- **Tuyaux en cuivre ou trousse GE SmartConnect™ Refrigerator Tubing**, diamètre extérieur de 1/4 po pour brancher le réfrigérateur à l'alimentation d'eau. Si vous utilisez un tuyau en cuivre, assurez-vous que les deux extrémités du tuyau soient coupées bien droit.

Pour trouver la longueur de tuyau dont vous avez besoin : mesurez la distance qui va du robinet d'eau situé derrière le réfrigérateur jusqu'au tuyau d'alimentation d'eau. Ajoutez 2,4 m (8 pi). Assurez-vous qu'il y ait assez de tuyau en trop (environ 2,4 m [8 pi] enroulés trois fois en cercles d'environ 25 cm [10 po] de diamètre) pour vous permettre de décoller le réfrigérateur du mur après l'installation.

Les trousse GE SmartConnect™ Refrigerator Tubing sont disponibles dans les dimensions suivantes :

0,6 m (2 pi) – WX08X10002

1,8 m (6 pi) – WX08X10006

4,6 m (15 pi) – WX08X10015

7,6 m (25 pi) – WX08X10025

Assurez-vous que votre trousse ait au moins 2,4 m (8 pi) comme indiqué ci-dessus.

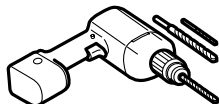
NOTE : Les seuls tuyaux en matière plastique approuvés par GE sont ceux qui font fournis dans les trousse GE SmartConnect™ Refrigerator Tubing. N'utilisez jamais un autre tuyau en matière plastique, car le tuyau d'alimentation d'eau est tout le temps sous pression. Certaines catégories de tuyaux en matière plastique peuvent devenir cassants avec l'âge et peuvent se fendre, en occasionnant des dommages d'inondation dans votre maison.

- Vous pouvez acheter une **trousse d'alimentation d'eau GE** (contenant un tuyau en cuivre, un robinet d'arrêt et les joints énumérés ci-dessous) chez votre distributeur local ou en le commandant au service de pièces et accessoires, au 1.888.261.3055.

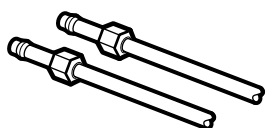
Instructions d'installation

CE DONT VOUS AUREZ BESOIN (SUITE)

- Une alimentation d'eau froide potable. La pression de l'eau doit être entre 20 et 120 p.s.i. (1,4 et 8,1 bar).



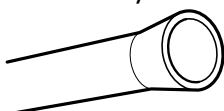
- Une perceuse électrique.
- Une clé de 1/2 po ou une clé anglaise.
- Un tournevis à lame plate et un tournevis Phillips.



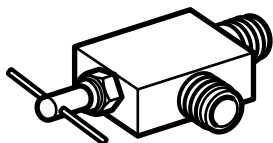
- Deux écrous à compression d'un diamètre extérieur de 1/4 po et deux bagues (manchons)—pour brancher le tuyau en cuivre au robinet d'arrêt et au robinet d'eau du réfrigérateur.

OU

- Si vous utilisez une trousse GE SmartConnect™ Refrigerator Tubing, les garnitures nécessaires sont déjà montées au tuyau.



- Si votre conduite d'eau en cuivre actuelle a un raccord évasé à une extrémité, vous aurez besoin d'un **adaptateur** (que vous trouverez dans votre magasin de matériel de plomberie) pour brancher le tuyau d'eau au réfrigérateur, **OU** vous pouvez couper le raccord évasé à l'aide d'un **coupe-tube**, puis utiliser un raccord à compression. Ne coupez jamais l'extrémité finie d'un tuyau de la trousse GE SmartConnect™ Refrigerator Tubing.



- Un robinet d'arrêt pour brancher le tuyau d'eau froide. Le robinet d'arrêt doit avoir une entrée d'eau avec un diamètre intérieur minimal de 5/32 po au point de jonction avec le **TUYAU D'EAU FROIDE**. Des robinets d'arrêt à étrier sont souvent inclus dans les trousse d'alimentation d'eau. Avant d'acheter, assurez-vous que le robinet à étrier se conforme à vos codes de plomberie locaux.

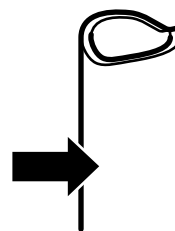
Installez le robinet d'arrêt sur la canalisation d'eau potable la plus fréquemment utilisée.

1 FERMEZ L'ALIMENTATION PRINCIPALE D'EAU

Ouvrez le robinet le plus proche suffisamment longtemps pour purger le tuyau.

2 CHOISISSEZ L'EMPLACEMENT DU ROBINET

Choisissez pour le robinet un emplacement facilement accessible. Il vaut mieux le brancher de côté à un tuyau vertical. Si vous devez le brancher à un tuyau horizontal, faites le branchement en haut ou de côté, plutôt qu'en bas du tuyau, pour éviter de recevoir des sédiments du tuyau d'alimentation d'eau.

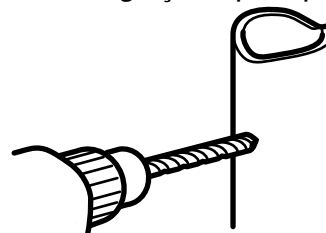


3 PERCEZ UN TROU POUR LE ROBINET

Percez un trou de 1/4 po dans le tuyau d'eau (même si vous utilisez un robinet autotaraudeux), à l'aide d'un foret dur. Enlevez toute barbare due au perçage du trou dans le tuyau.

Faites attention de ne pas laisser de l'eau couler dans votre perceuse électrique.

Si vous ne percez pas un trou de 1/4 po, vous obtiendrez une production de glaçons réduite ou des glaçons plus petits.

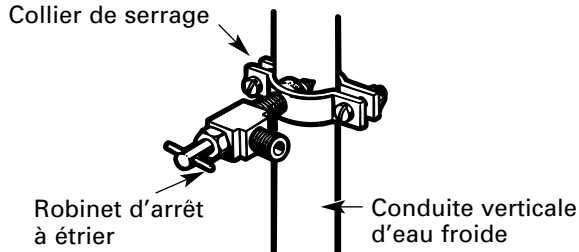


Instructions d'installation

INSTALLATION DE LA CONDUITE D'EAU (SUITE)

4 FIXEZ LE ROBINET D'ARRÊT

Fixez le robinet d'arrêt à la conduite d'eau froide à l'aide du collier de serrage.

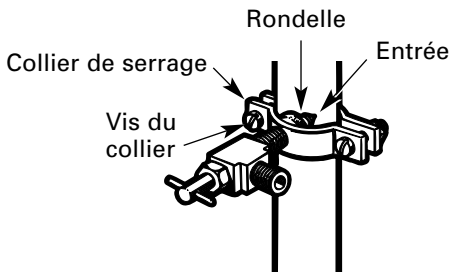


NOTE : Vous devez vous conformer aux Codes de plomberie 248CMR du Commonwealth of Massachusetts. Les robinets d'arrêt à étrier sont illégaux et leur utilisation n'est pas autorisée au Massachusetts. Consultez votre plombier local.

5 SERREZ LE COLLIER DE SERRAGE

Serrez les vis du collier jusqu'à ce que la rondelle d'étanchéité commence à enfler.

NOTE : Ne serrez pas trop. Vous risquez d'écraser la conduite.



6 ACHEMINEZ LE TUYAU

Acheminez le tuyau entre la conduite d'eau froide et le réfrigérateur.

Faites passer le tuyau par un trou percé dans le mur ou le plancher (derrière le réfrigérateur ou au niveau de l'armoire de cuisine adjacente), aussi près du mur que possible.

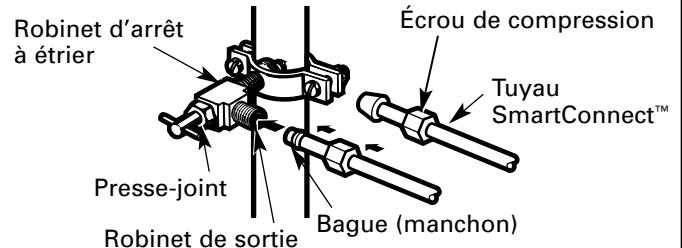
NOTE : Assurez-vous qu'il y ait assez de tuyau en trop (environ 2,4 m [8 pi] enroulés trois fois en cercles d'environ 25 cm [10 po] de diamètre) pour vous permettre de décoller le réfrigérateur du mur après l'installation.

7 BRANCHEZ LE TUYAU AU ROBINET

Placez un écrou de compression et une bague (manchon) à l'extrémité du tuyau et branchez-les au robinet d'arrêt.

Assurez-vous que le tuyau soit bien inséré dans le robinet. Serrez fort l'écrou de compression.

Pour le tuyau en matière plastique d'une trousse GE SmartConnect™ Refrigerator Tubing, insérez l'extrémité moulée du tuyau dans le robinet d'arrêt et serrez l'écrou de compression à la main, puis serrez un autre demi tour avec une clé. Si vous serrez trop fort, vous pouvez occasionner des fuites.

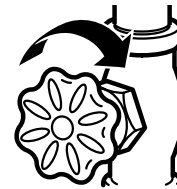


NOTE : Vous devez vous conformer aux Codes de plomberie 248CMR du Commonwealth of Massachusetts. Les robinets d'arrêt à étrier sont illégaux et leur utilisation n'est pas autorisée au Massachusetts. Consultez votre plombier local.

8 PURGEZ LE TUYAU

Ouvrez le robinet d'alimentation principale d'eau et purgez le tuyau jusqu'à ce que l'eau soit claire.

Fermez l'eau au niveau du robinet d'eau après écoulement d'environ 1 litre (1 quart) d'eau par le tuyau.



Pour compléter l'installation du réfrigérateur, retournez à l'étape 1 de la section *Installation du réfrigérateur*.



Les réfrigérateurs plus récents font des bruits différents de ceux des anciens. Les réfrigérateurs modernes présentent plus de fonctions et sont plus avancés sur le plan technologique.

Entendez-vous ce que j'entends ? Ces bruits sont normaux.

HUMMM... OUUCH....

- Le nouveau compresseur à rendement élevé peut fonctionner plus longtemps et plus vite que votre ancien réfrigérateur et vous pouvez entendre un son modulé ou un ronflement aigu pendant son fonctionnement.
- Parfois le réfrigérateur fonctionne pendant une période prolongée, surtout lorsque les portes sont ouvertes fréquemment. Cela signifie que la fonction **Frost Guard™** est active pour empêcher la brûlure de congélation et améliorer la conservation des aliments.
- Vous pouvez entendre un sifflement lorsque les portes se ferment. Cela vient de l'équilibrage de pression dans le réfrigérateur.

OUIR !



- Vous pouvez entendre les ventilateurs tourner à hautes vitesses. Cela se produit lorsque le réfrigérateur vient d'être branché, lorsque les portes sont ouvertes fréquemment ou lors de l'ajout d'une grande quantité d'aliments dans les compartiments congélateur ou réfrigérateur. Les ventilateurs permettent de maintenir les bonnes températures.
- Si une des portes est ouverte pendant plus de 3 minutes, vous pouvez entendre l'activation des ventilateurs permettant de refroidir les ampoules.
- Les ventilateurs changent de vitesses pour assurer des économies d'énergie et un refroidissement optimaux.

CLICS, CLAQUEMENTS, CRAQUEMENTS et GRÉSILLEMENTS

- Vous pouvez entendre des craquements ou des claquements lorsque le réfrigérateur est branché pour la première fois. Cela se produit lorsque le réfrigérateur se refroidit à la bonne température.
- Les registres électroniques s'ouvrent et se ferment pour assurer des économies d'énergie et un refroidissement optimaux.
- Le compresseur peut causer un clic ou un grésillement lors de la tentative de redémarrage (cela peut prendre 5 minutes).
- Le tableau de commande électronique peut causer un clic lorsque les relais s'activent pour commander les composants du réfrigérateur.
- L'expansion et la contraction des serpentins de refroidissement pendant et après le dégivrage peuvent causer un craquement ou un claquement.
- Sur les modèles équipés d'une machine à glaçons, après un cycle de fabrication de glaçons, vous pouvez entendre les glaçons tomber dans le bac.

BRUITS D'EAU



- Le passage de l'agent frigorigère dans les serpentins de refroidissement du congélateur peut être accompagné d'un gargouillement semblable à celui de l'eau en ébullition.
- L'eau tombant sur l'élément chauffant de dégivrage peut faire un bruit de grésillement, de claquement ou de bourdonnement pendant le cycle de dégivrage.
- Un bruit de suintement d'eau peut être entendu pendant le cycle de dégivrage lorsque la glace de l'évaporateur fond et tombe dans le bac de récupération.
- Fermer la porte peut causer un gargouillement en raison de l'équilibrage de pression.



Pour obtenir plus d'information sur les bruits normaux de fonctionnement de la machine à glaçons et le distributeur d'eau et de glaçons, veuillez consulter les sections **Machine à glaçons automatique** et **Le distributeur d'eau et de glaçons**.

Avant d'appeler un réparateur...



Conseils de dépannage—Économisez du temps et de l'argent!
Consultez d'abord les tableaux qui suivent et vous pourrez peut-être éviter de faire appel à un réparateur.

| Problème | Causes possibles | Correctifs |
|---|---|--|
| Le réfrigérateur ne fonctionne pas | Le cycle de dégivrage est peut-être en cours. | • Attendez environ 30 minutes afin que le cycle de dégivrage puisse terminer. |
| | Les commandes de température sont réglées sur 0 (éteint). | • Réglez les commandes de température sur un réglage de température. |
| | Le réfrigérateur est débranché. | • Enfoncez la fiche de l'appareil dans la prise murale. |
| | Le disjoncteur ou le fusible peut avoir sauté. | • Remplacez le fusible ou réenclenchez le disjoncteur. |
| | Le réfrigérateur est en mode d'exposition. | • Débranchez le réfrigérateur et rebranchez-le. |
| Vibration ou bruit métallique (une légère vibration est normale) | Les roulettes de nivellement avant doivent être réglées. | • Consultez <i>Roulettes</i> . |
| Le moteur fonctionne pendant de longues périodes ou démarre et s'arrête fréquemment. (Les réfrigérateurs modernes et leurs congélateurs étant plus grands, leur moteur doit fonctionner plus longtemps. Ils démarrent et s'arrêtent afin de maintenir des températures uniformes.) | Ceci est normal lorsque le réfrigérateur vient d'être branché. | • Attendez 24 heures pour que le réfrigérateur refroidisse complètement. |
| | Une grande quantité d'aliments a été mise au réfrigérateur. | • C'est normal. |
| | Porte laissée ouverte. | • Vérifiez qu'il n'y a pas un paquet qui empêche la porte de fermer. |
| | Temps chaud ou ouverture fréquente des portes. | • C'est normal. |
| | Les commandes de température ont été réglées à la température la plus froide. | • Consultez <i>Les commandes</i> . |
| Température trop élevée dans le congélateur ou le réfrigérateur | La commande de température n'a pas été réglée à une température assez basse. | • Consultez <i>Les commandes</i> . |
| | Temps chaud ou ouverture fréquente des portes. | • Abaissez la commande de température d'une position. Consultez <i>Les commandes</i> . |
| | Porte laissée ouverte. | • Vérifiez qu'il n'y a pas un paquet qui empêche la porte de fermer. |
| Givre sur les aliments surgelés (il est normal que du givre se forme à l'intérieur du paquet) | Porte laissée ouverte. | • Vérifiez qu'il n'y a pas un paquet qui empêche la porte de fermer. |
| | Les portes ont été ouvertes trop souvent ou pendant trop longtemps. | |
| La séparation entre le réfrigérateur et le congélateur est chaude | Le système automatique d'économie d'énergie fait circuler du liquide chaud autour du rebord avant du congélateur. | • Ceci empêche la formation de condensation sur l'extérieur du réfrigérateur. |
| Formation lente des glaçons (sur certains modèles) | Porte laissée ouverte. | • Vérifiez qu'il n'y a pas un paquet qui empêche la porte de fermer. |
| | La commande de température du congélateur n'est pas réglée à une température assez froide. | • Consultez <i>Les commandes</i> . |
| Mauvais goût/odeur de l'eau (sur certains modèles) | Le distributeur d'eau n'a pas été utilisé depuis longtemps. | • Faites couler l'eau jusqu'à ce que l'eau du système soit remplacée par de l'eau fraîche. |

| Problème | Causes possibles | Correctifs |
|---|--|---|
| La machine à glaçons ne fonctionne pas | L'interrupteur d'alimentation de la machine à glaçons est à la position 0 (arrêt) . | • Réglez l'interrupteur d'alimentation à la position I (marche) . |
| | L'alimentation en eau est coupée ou n'est pas raccordée. | • Consultez <i>Installation de la conduite d'eau</i> . |
| | Le compartiment congélateur est trop chaud. | • Attendez 24 heures pour que la température du réfrigérateur se stabilise. |
| | Un amas de glaçons dans le bac provoque l'arrêt de la machine à glaçons. | • Nivelez les glaçons à la main. |
| | Cubes de glace sont coincés dans le distributeur. (La lumière d'alimentation verte clignote). | • Débranchez le distributeur, enlevez les cubes et rebranchez le distributeur. |
| Bourdonnement fréquente | Le commutateur de marche de la machine à glaçons est dans la position I (marche) , mais l'arrivée d'eau au réfrigérateur n'a pas été raccordée. | • Réglez le commutateur de marche sur la position 0 (arrêt) , car le garder dans la position I (marche) endommagera le robinet d'eau. |
| Odeur/saveur anormale des glaçons | Il faut nettoyer le bac à glaçons. | • Videz et lavez le bac à glaçons. Jetez les vieux glaçons. |
| | Des aliments ont transmis leur odeur/goût aux glaçons. | • Emballez bien les aliments. |
| | Il faut nettoyer l'intérieur du réfrigérateur. | • Consultez <i>Entretien et nettoyage</i> . |
| Petits glaçons ou glaçons creux à l'intérieur | Le filtre à eau est bouché. | • Remplacez la cartouche du filtre avec une nouvelle cartouche ou installez le bouchon du filtre. |
| Le distributeur de glaçons ne fonctionne pas | La machine à glaçons est éteinte ou l'alimentation en eau a été coupée. | • Mettez en marche la machine à glaçons ou rétablissez l'alimentation en eau. |
| | Des glaçons sont collés au bras régulateur. | • Retirez les glaçons. |
| | Un objet bloque ou est tombé dans la chute à glace située à l'intérieur du bac supérieur de la porte du compartiment congélation. | • Enlevez tout objet qui bloque ou est tombé dans la chute. |
| | Distributeur est VERROUILLÉ . | • Appuyez et maintenez enfoncée la touche LOCK CONTROL (réglage du verrouillage) pendant 3 secondes. |
| | Blocs de glace irréguliers dans le bac à glaçons. | • Brisez-en autant que possible avec vos doigts et jetez ceux qui restent. • Le congélateur est peut-être trop chaud. Réglez la commande du congélateur sur une température plus basse, en abaissant la commande d'une position à la fois jusqu'à ce que les blocs de glace disparaissent. |
| | | |
| L'eau versée dans le premier verre est chaude (sur certains modèles) | Normal lorsque le réfrigérateur est initialement installé. | • Attendez 24 heures pour que la température du réfrigérateur se stabilise. |
| | Le distributeur d'eau n'a pas été utilisé depuis longtemps. | • Faites couler l'eau jusqu'à ce que l'eau du système soit remplacée par de l'eau fraîche. |
| | Le réservoir d'eau vient d'être vidangé. | • Attendez plusieurs heures pour que l'eau refroidisse. |
| Le distributeur d'eau ne fonctionne pas (sur certains modèles) | L'alimentation en eau est coupée ou n'est pas raccordée. | • Consultez <i>Installation de la conduite d'eau</i> . |
| | Le filtre à eau est bouché. | • Remplacez la cartouche du filtre avec une nouvelle cartouche ou installez le bouchon du filtre. |
| | Il y a de l'air dans la conduite d'eau. | • Appuyez sur le bras de distribution pendant au moins deux minutes. |
| | Distributeur est VERROUILLÉ . | • Appuyez et maintenez enfoncée la touche LOCK CONTROL (réglage du verrouillage) pendant 3 secondes. |
| L'eau jaillit du distributeur | La cartouche du filtre vient d'être installée. | • Faites couler l'eau du distributeur pendant 3 minutes (environ 6 litres). |

Avant d'appeler un réparateur...

| Problème | Causes possibles | Correctifs |
|--|--|---|
| La machine à glaçons fonctionne, mais ne distribue pas d'eau | L'eau du réservoir est gelée. | • Appelez un réparateur. |
| | Le réglage de commande est trop froid. | • Réglez le commande de température sur un réglage plus chaud. |
| La machine à glaçons ne distribue ni eau ni glaçons | La conduite d'eau ou le robinet d'arrêt est bouché. | • Appelez un plombier. |
| | Le filtre à eau est bouché. | • Remplacez la cartouche du filtre avec une nouvelle cartouche ou installez le bouchon du filtre. |
| | Distributeur est VERROUILLÉ . | • Appuyez et maintenez enfoncée la touche LOCK CONTROL (réglage du verrouillage) pendant 3 secondes. |
| CUBED ICE (cubes de glace) était choisi mais CRUSHED ICE (glace concassée) a été distribuée (sur certains modèles) | Le réglage précédent était CRUSHED ICE . | • Quelques cubes sont restés et ont été concassés à cause du réglage précédent. C'est normal. |
| Odeur dans le réfrigérateur | Des aliments ont transmis leur odeur au réfrigérateur. | • Les aliments à odeur forte doivent être emballés hermétiquement. • Gardez une boîte ouverte de bicarbonate de soude dans le réfrigérateur. |
| | Il faut nettoyer l'intérieur. | • Consultez <i>Entretien et nettoyage</i> . |
| De la condensation s'accumule à l'extérieur | Cela n'est pas inhabituel pendant les périodes de forte humidité. | • Essuyez bien la surface extérieure. |
| De la condensation s'accumule à l'intérieur (par temps humide, l'ouverture des portes laisse entrer de l'humidité) | Les portes sont ouvertes trop fréquemment ou pendant trop longtemps. | • C'est normal pour le centre de boissons. |
| | Placement des articles sur la clayette déli, près du côté gauche. | • Bougez les articles et essuyez la surface. Il est normal d'avoir de la vapeur d'eau et des gouttelettes. |
| L'éclairage intérieur ne fonctionne pas | Il n'y a pas de courant au niveau de la prise. | • Remplacez le fusible ou réenclenchez le disjoncteur. |
| | L'ampoule est grillée. | • Consultez <i>Remplacement des ampoules</i> . |
| Eau sur le sol ou au fond du congélateur | Il y a des glaçons bloqués dans le conduit. | • Faites passer les glaçons à l'aide d'une cuillère en bois. |
| Air chaud à la base du réfrigérateur | Courant d'air normal provenant du moteur. Pendant le processus de réfrigération, il est normal que de la chaleur soit expulsée à la base du réfrigérateur. Certains revêtements de sol sont sensibles et peuvent se décolorer sous l'effet de cette température de fonctionnement normale qui est sans danger. | |
| Lueur orange dans le congélateur | Le cycle de dégivrage est en cours. | • C'est normal. |
| Le réfrigérateur ne s'arrête jamais mais les températures sont normales | La fonction de dégivrage maintient le compresseur en marche au cours de l'ouverture des portes. | • Ceci est normal. Le réfrigérateur passe sur cycle d'arrêt lorsque les portes ont été fermées pendant 2 heures. |
| Le réfrigérateur émet un signal sonore | La porte est ouverte. | • Fermez la porte. |
| La porte ne se ferme pas correctement | Le joint de la porte du côté des charnières est collé ou replié. | • Mettre une couche de cire de paraffine sur le joint de la porte. |
| | Un des contenants de porte touche une étagère dans le réfrigérateur. | • Remontez le contenant d'un cran. |

GARANTIE DU CLIENT

(pour la clientèle au Canada)

Votre réfrigérateur est garanti contre tout défaut de matériau et de fabrication.

| Ce que cette garantie couvre | Durée de garantie (à partir de la date d'achat) | Pièces Réparation ou remplacement au choix de Camco | Main-d'oeuvre |
|---|---|---|---------------|
| Compresseur | Dix (10) ans | Dix (10) ans | Cinq (5) ans |
| Système scellé (y compris l'évaporateur, la tuyauterie du condenseur et le frigorigène) | Cinq (5) ans | Cinq (5) ans | Cinq (5) ans |
| Toutes les autres pièces | Un (1) an | Un (1) an | Un (1) an |

TERMES ET CONDITIONS :

La présente garantie ne s'applique qu'à l'utilisation domestique par une seule famille au Canada, lorsque le réfrigérateur a été installé conformément aux instructions fournies par Camco et est alimenté correctement en eau et en électricité.

Les dommages dus à une utilisation abusive, un accident, une exploitation commerciale, ainsi que la modification, l'enlèvement ou l'altération de la plaque signalétique annulent la présente garantie.

L'entretien effectué dans le cadre de la présente garantie doit l'être par un réparateur agréé Camco.

Camco et le marchand ne peuvent être tenus pour responsables en cas de réclamations ou dommages résultant de toute panne du réfrigérateur ou d'un entretien retardé pour des raisons qui raisonnablement échappent à leur contrôle.

L'acheteur doit, pour obtenir un service dans le cadre de la garantie, présenter la facture originale. Les éléments réparés ou remplacés ne sont garantis que pendant le restant de la période de garantie initiale.

Cette garantie est en sus de toute garantie statutaire.

IMPORTANT

Gardez cette garantie et votre facture originale comme preuve d'achat et preuve de la date d'achat.

EXCLUSIONS DE LA GARANTIE :

- Visites à domicile pour vous apprendre à vous servir de l'appareil.
- Dommages causés à la peinture ou à l'émail après livraison.
- Installation incorrecte—l'installation correcte inclut la bonne circulation d'air pour le système de réfrigération, des possibilités de branchement aux circuits électriques, d'alimentation en eau et autres.
- Remplacement de la cartouche de filtre d'eau à la fin de sa durée d'utilisation normale.
- Remplacement des fusibles ou réarmement des disjoncteurs.
- Remplacement des ampoules électriques.
- Dommages subis par l'appareil à la suite d'un accident, d'un incendie, d'inondations ou en cas de force majeure.
- Perte des aliments due à la détérioration.
- Utilisation correcte et entretien adéquat de l'appareil selon le manuel d'utilisation, réglage correct des commandes.
- **LE GARANT N'EST PAS RESPONSABLE DES DOMMAGES INDIRECTS.**

Camco vous offre ses services dans tout le pays. Pour de plus amples renseignements sur la présente garantie, veuillez prendre contact avec :

Directeur, Relations avec les consommateurs
Camco Inc., Bureau 310
1 Factory Lane
Moncton, N.B.
E1C 9M3

*Agrapez votre reçu ici.
Vous devez fournir la preuve de
l'achat original pour obtenir des
services en vertu de la garantie.*

**Feuillet de données relatives à la performance
Cartouche GWF/HWF du système de
Filtration d'eau GE SmartWater**

Ce système a été essayé selon les normes NSF/ANSI 42/53 pour une réduction des substances énumérées ci-dessous. La concentration des substances indiquées dans l'eau qui entre dans le système a été réduite à une concentration inférieure ou égale à la limite permise pour l'eau quittant le système, telle que précisée par la norme NSF/ANSI 42/53.*
(facteurs intégrés de sécurité à 100% pour une utilisation sans compteur)

| Norme N° 42 : Effets esthétiques | | | | | | | |
|----------------------------------|-----------|--------------------------------|----------|----------|-------------|---------|--------------------------|
| Paramètre | USEPA MCL | Qualité influent concentration | Effluent | | % Réduction | | Réduction exigeante min. |
| | | | Moyenne | Maximum | Moyenne | Minimum | |
| Chlore | — | 2,0 mg/L ± 10% | 0,02 ppm | 0,05 ppm | 98,90% | 97,37% | ≥ 50% |
| T & O | — | — | — | — | — | — | — |
| Particules** | — | 10.000 particules/mL minimum | 3.978 | 7.800 | 98,00% | 96,10% | ≥ 85% |

| Norme N° 53 : Effets de santé | | | | | | | |
|-------------------------------|------------------|--|-------------|-------------|-------------|---------|--------------------------|
| Paramètre | USEPA MCL | Qualité influent concentration | Effluent | | % Réduction | | Réduction exigeante min. |
| | | | Moyenne | Maximum | Moyenne | Minimum | |
| Turbidité | 1 NTU*** | 11 ± 1 NTU*** | 0,07 NTU | 0,1 NTU | 99,71% | 99,59% | 0,5 NTU |
| Spores | 99,95% réduction | 50.000 L minimum | 26 | 55 | 99,97% | 99,95% | > 99,95% |
| Plomb au pH 6,5 | 15 ppb | 0,15 mg/L ± 10% | 1 ppb | 1 ppb | 99,37% | 99,37% | 0,010 mg/L |
| Plomb au pH 8,5 | 15 ppb | 0,15 mg/L ± 10% | 1,8 ppb | 4,3 ppb | 98,8% | 97,13% | 0,010 mg/L |
| Lindane | 0,0002 ppm | 0,002 mg/L ± 10% | 0,00005 ppm | 0,00005 ppm | 91,93% | 91,93% | 0,0002 mg/L |
| Atrazine | 0,003 ppm | 0,009 mg/L ± 10% | 0,002 ppm | 0,003 ppm | 76,19% | 64,28% | 0,003 mg/L |
| 2,4-D | 0,100 ppm | 0,210 mg/L ± 10% | 0,042 ppm | 0,090 ppm | 84,89% | 67,63% | 0,07 mg/L |
| Asbestos | 99% | Fibres/L de 10 ⁷ à 10 ⁸ ; fibres plus grand que 10 micromètres de longueur | 0,32 MFL/ml | 1,2 MFL/ml | 99,95% | 99,82% | 99% |

* Testé utilisant un débit de 0,5 gpm; une pression de 60 psig; un pH de 7,5 ± 0,5; et une temp. de 20 °C ± 25 °C.

** Mesures en particules/ml. Les particules utilisés étaient de 0,5–1 micron.

*** NTU = unités de turbidité néphélogométrique

Spécifications d'opération

- Capacité: certifiée jusqu'à maximum de 300 gallons (1135 l); jusqu'à maximum de six mois pour les modèles non dotés d'un voyant indicateur de remplacement de filtre; jusqu'à maximum d'un an pour les modèles dotés d'un voyant indicateur de remplacement de filtre
- Exigence en matière de pression : 2,8 à 8,2 bar (40 à 120 psi), sans choc
- Température : 0,6°–38 °C (33°–100 °F)
- Débit : 1,9 lpm (0,5 gpm)

Exigences générales d'installation/opération/entretien

- Rincez la nouvelle cartouche à plein débit pendant 3 minutes afin de libérer de l'air.
- Remplacez la cartouche lorsque le débit devient trop lent.

Avis spéciaux

- Les directives d'installation, la disponibilité de pièces et de service ainsi que la garantie standard sont expédiées avec le produit.
- Ce système d'eau potable doit être entretenu conformément aux directives du fabricant, y compris le remplacement des cartouches du filtre.
- N'utilisez pas lorsque l'eau présente un danger microbiologique ou lorsque l'eau est d'une qualité inconnue sans désinfecter adéquatement le système avant ou après; le système peut servir pour de l'eau désinfectée qui pourrait contenir des spores filtrables.
- Les contaminants ou autres substances retirées ou réduites par ce système de traitement de l'eau ne sont pas nécessairement dans votre eau.
- Vérifiez pour vous assurer de vous conformer aux lois et règlements locaux et de l'état.
- Notez que bien que l'essai a eu lieu dans des conditions normales de laboratoire, mais que le rendement réel peut varier. Les systèmes doivent être installés et fonctionner conformément aux procédures et directives recommandées par le fabricant.

Testée et certifiée selon les normes 42 et 53 de ANSI/NSF pour la réduction de :

Norme N° 42 : Effets esthétiques

Unité chimique
Réduction d'odeur et de goût
Réduction de chlore

Unité de filtration mécanique
Réduction de particules, catégorie I

Norme N° 53 : Effets de santé

Unité de réduction chimique
Réduction de plomb et Atrazine
Réduction de Lindane et 2,4-D

Unité de filtration mécanique
Réduction de spores
Réduction de turbidité



Fabriqué pour : General Electric Company, Louisville, KY 40225

Soutien au consommateur.



Site Web appareils électroménagers GE

www.electromenagersge.ca

Vous avez une question ou vous avez besoin d'aide pour votre appareil électroménager? Contactez-nous par Internet au site www.electromenagersge.ca 24 heures par jour, tous les jours de l'année.



Service de réparations

1.800.361.3400

Service de réparations GE est tout près de vous.

Pour faire réparer votre électroménager GE, il suffit de nous téléphoner.



Studio de conception réaliste

Sur demande, GE peut fournir une brochure sur l'aménagement d'une cuisine pour les personnes à mobilité réduite.

Écrivez: Directeur, Relations avec les consommateurs, Camco, Inc.
Bureau 310, 1 Factory Lane
Moncton, N.B. E1C 9M3

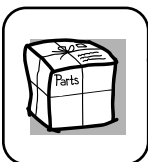


Prolongation de garantie

www.electromenagersge.ca

Achetez un contrat d'entretien GE avant que votre garantie n'expire et bénéficiez d'un rabais substantiel. Ainsi le service après-vente GE sera toujours là après expiration de la garantie.

Visitez notre site Web ou appelez-nous au 1.800.461.3636.

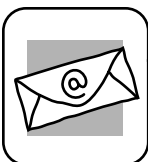


Pièces et accessoires

Ceux qui désirent réparer eux-mêmes leurs électroménagers peuvent recevoir pièces et accessoires directement à la maison (cartes VISA, MasterCard et Discover acceptées).

Les directives stipulées dans le présent manuel peuvent être effectuées par n'importe quel utilisateur. Les autres réparations doivent généralement être effectuées par un technicien qualifié. Soyez prudent, car une réparation inadéquate peut affecter le fonctionnement sécuritaire de l'appareil.

Vous trouverez dans les pages jaunes de votre annuaire le numéro du Centre de service Camco le plus proche. Autrement, appelez-nous au 1.888.261.3055.



Contactez-nous

Si vous n'êtes pas satisfait du service après-vente dont vous avez bénéficié :

Premièrement, communiquez avec les gens qui ont réparé votre appareil.

Ensuite, si vous n'êtes toujours pas satisfait envoyez tous les détails—numéro de téléphone compris—au
Directeur, Relations avec les consommateurs, Camco, Inc.
Bureau 310, 1 Factory Lane
Moncton, N.B. E1C 9M3



Inscrivez votre appareil électroménager

Inscrivez votre appareil électroménager en direct, aussitôt que possible. Cela améliorera nos communications et notre service après-vente. Vous pouvez également nous envoyer par la poste le formulaire d'inscription joint à votre documentation.

| | | |
|--|---|---|
| Seguridad | Información de seguridad 83, 84 | |
| | Instrucciones de operación | |
| | Cómo sacar las gavetas 91 | |
| | Cuidado y limpieza del refrigerador. 94, 95 | |
| | El dispensador de agua y de hielo 93 | |
| | El dispositivo automático para hacer hielo 92 | |
| | El filtro de agua 87 | |
| | Gavetas y cacerolas 91 | |
| | Los controles de refrigerador 85 | |
| | Los entrepaños, recipientes y estantes del refrigerador. 88, 89 | |
| Operación | Puertas del refrigerador. 90 | |
| | Reemplazo de bombillas 96 | |
| | TurboCool™. 86 | |
| | Instrucciones de instalación | |
| | Cómo instalar el refrigerador . 106–109 | |
| | Cómo mover el refrigerador . . 102–105 | |
| | Instalación de la línea del agua . . 110–112 | |
| | Molduras y paneles decorativos . . . 97–100 | |
| | Preparación para instalar el refrigerador. 101 | |
| | Instalación | Solucionar problemas 113–117 |
| Sonidos normales de la operación . . . 113 | | |
| Soporte al consumidor | | |
| Garantía para consumidores en los Estados Unidos 122 | | |
| Hoja de datos de funcionamiento . . . 120 | | |
| Soporte al consumidor. 123 | | |
| Solucionar problemas | | |
| | | |
| | | |
| | | |
| | | |
| | | |
| | | |
| | | |
| | | |
| | | |
| Soporte al consumidor | | |
| | | |
| | | |
| | | |
| | | |
| | | |
| | | |
| | | |
| | | |
| | | |

Anote aquí los números de modelo de serie:
Modelo No. _____
Serie No. _____

Usted los verá en una etiqueta en el interior del compartimiento de refrigerador en la parte superior en el lado derecho.

⚠ ¡ADVERTENCIA!

Use este aparato sólo para los fines que se describen en este Manual del propietario.



PRECAUCIONES DE SEGURIDAD

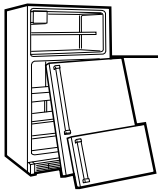
Quando use electrodomésticos, siga las precauciones básicas de seguridad, incluyendo las siguientes:

- Antes de usarse, este refrigerador deberá estar instalado y ubicado de acuerdo con las instrucciones de instalación.
- No permita que los niños se suban, se paren o se cuelguen de las charolas del refrigerador. Podría dañarse el refrigerador y causarles serias lesiones.
- No toque las superficies frías del congelador cuando tenga las manos húmedas o mojadas. La piel se podría adherir a las superficies extremadamente frías.
- No guarde ni use gasolina u otros vapores o líquidos inflamables cerca de este o cualquier otro aparato.
- Aleje los dedos fuera de las áreas donde se puede pinchar los dedos; los espacios entre las puertas y entre las puertas y los gabinetes son necesariamente estrechos. Cierre las puertas con cuidado en la presencia de los niños.
- Si su refrigerador tiene un dispositivo automático para hacer hielo, evite el contacto con las partes móviles del mecanismo de expulsión, o con el elemento calefactor localizado en la parte inferior del dispositivo para hacer hielo. No ponga los dedos ni las manos en el mecanismo automático para hacer hielo mientras el refrigerador esté conectado.
- Desconecte el refrigerador antes de limpiarlo o efectuar reparaciones.

NOTA: Recomendamos enfáticamente encargar cualquier servicio a un personal calificado.

- El colocar el control en posición **0 (apagado)** no quita la corriente del circuito de la luz.
- No vuelva a congelar los alimentos congelados una vez que se hayan descongelado.

⚠ ¡PELIGRO! RIESGO DE QUE UN NIÑO PUEDA QUEDAR ATRAPADO DESHACERSE DEBIDAMENTE DE SU REFRIGERADOR



El atrapamiento y la sofocación de los niños no son un problema del pasado. Los refrigeradores abandonados son un peligro...aunque sea sólo por "pocos días." Si se deshace de su viejo refrigerador, por favor siga las instrucciones abajo para ayudarnos a prevenir algún accidente.

Antes de deshacerse de su viejo refrigerador o congelador:

- Quite las puertas.
- Deje los entrepaños en su sitio para que los niños no se suban.

Refrigerantes

Todos los aparatos de refrigeración contienen refrigerantes, los cuales se deben retirar antes de la eliminación del producto de acuerdo con la ley federal. Si va a desechar algún aparato antiguo de refrigeración, consulte con la compañía a cargo de desechar el aparato para saber qué hacer.

USO DE CABLES DE EXTENSION

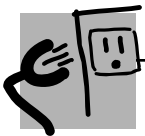
Debido a los accidentes potenciales que pudieran ocurrir bajo determinadas condiciones, se recomienda estrictamente no usar cables de extensión.

Sin embargo, si decidiera usarlos, es absolutamente necesario que sea del tipo UL trifilar para aparatos y cuente con una clavija con conexión a tierra y que el cable eléctrico sea de 15 amperios (mínimo) y 120 voltios.

INFORMACIONES IMPORTANTES DE SEGURIDAD. LEA PRIMERO TODA LAS INSTRUCCIONES.

Seguridad

⚠ ¡ADVERTENCIA!



COMO CONECTAR LA ELECTRICIDAD

Bajo ninguna circunstancia debe cortar o quitar la tercera punta (tierra) de la clavija. Para su seguridad personal, este aparato deberá conectarse debidamente a tierra.

El cable eléctrico de este aparato está equipado con una clavija de tres puntas (tierra) que enchufa en un contacto estándar de pared de tres salidas (tierra) para reducir al mínimo la posibilidad de daños por un choque eléctrico con este aparato.

Haga que un electricista calificado verifique el enchufe de la pared y el circuito para asegurarse que la salida esté conectada debidamente a tierra.

Donde se disponga sólo de un contacto de pared con salida para dos puntas, es su responsabilidad personal y su obligación reemplazarlo por un contacto adecuado para tres puntas con conexión a tierra.

El refrigerador deberá conectarse siempre en su propio contacto eléctrico individual que tenga un voltaje que vaya de acuerdo con la tabla de clasificación.

Esto garantiza la mejor ejecución y evita la sobrecarga del circuito eléctrico de la casa y los daños a causa del sobrecalentamiento de los cables.

Nunca desconecte el refrigerador jalando el cable. Tome siempre firmemente la clavija y sáquela del contacto sin doblarla.

Repáre o reemplace inmediatamente todos los cables eléctricos de servicio que se hayan desgastado o dañado en alguna otra forma. No utilice cables que muestren roturas o daños por abrasión a lo largo de éste ni en la clavija o en alguno de sus extremos.

Al alejar su refrigerador de la pared, cuide que no pase sobre el cable o lo dañe.

Operación

Instalación



USO DE LOS ADAPTADORES *(No se permite usar enchufes adaptadores en Canadá)*

Debido a los accidentes potenciales relacionados con la seguridad bajo determinadas circunstancias, recomendamos estrictamente no utilizar un adaptador para clavija.

Sin embargo, si se decidiera usar un adaptador donde los códigos locales lo permitan, es necesario hacer una **conexión temporal** a un contacto de pared para dos puntas debidamente conectado a tierra utilizando un adaptador UL, mismo que puede adquirirse en comercios locales especializados.

La punta más larga del adaptador se deberá alinear con la entrada larga del contacto con el fin de tener la polaridad adecuada en la conexión de la clavija.

Al desconectar el cable del adaptador, deténgalo siempre con una mano tirando a la vez el cable eléctrico con la otra mano. De no hacerlo puede causar que el adaptador se rompiera después de mucho uso.

Si se rompiera la terminal a tierra del adaptador, **NO USE** el aparato hasta que se haya reestablecido la conexión a tierra de manera adecuada.

La conexión de la terminal de tierra del adaptador a la salida del contacto de pared no conecta el aparato a tierra, a no ser que el tornillo de la tapa sea de metal y no esté aislado y que el contacto de la pared esté conectado a tierra a través del cableado de la casa. Un electricista calificado deberá revisar el circuito para asegurarse de que el contacto esté debidamente conectado a tierra.

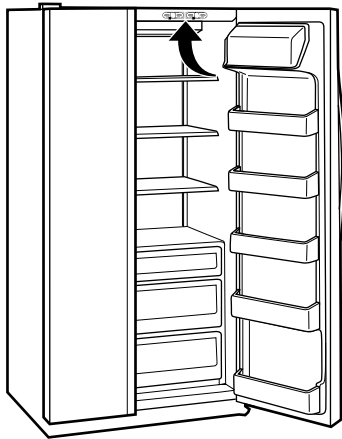
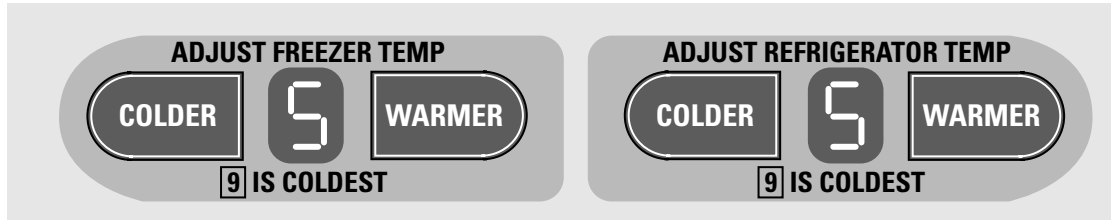
Solucionar problemas

Soporte al consumidor



FAVOR DE LEER Y SEGUIR CUIDADOSAMENTE LAS PRECAUCIONES DE SEGURIDAD.

GUARDE ESTAS INSTRUCCIONES



*Los controles de temperatura vienen preconfigurados de fábrica a **5** tanto para los compartimientos del refrigerador como para los del congelador. Deje pasar 24 horas para que la temperatura se estabilice en los niveles preconfigurados.*

Pudieran ser necesarios varios ajustes. Para cada ocasión que usted ajuste los controles, deberá permitir que pasen 24 horas para que el refrigerador alcance el ajuste que usted seleccionó.

*Cuando se coloca cualquiera de los dos controles a **0**, o los dos, los compartimientos del refrigerador y el congelador dejan de enfriar, pero esto no deja sin corriente eléctrica al refrigerador.*

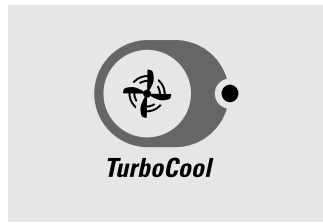
Los ajustes de los controles cambiarán según las preferencias personales, la utilización y las condiciones de operación y pudieran necesitar más de un ajuste.

NOTA: *El refrigerador se envía con una película de protección que cubre los controles de la temperatura. Si esta película no se retiró durante la instalación, hágalo ahora.*

Sistema de rendimiento de circulación de aire

El Sistema de Rendimiento de Circulación de Aire está diseñado para maximizar el control de la temperatura en los compartimientos del refrigerador y del congelador. Esta característica exclusiva especial en la torre de aire a lo largo de la pared posterior del refrigerador y del túnel de aire en la posición inferior de la pared posterior del congelador. Colocar alimentos enfrente de los listones de estos compartimientos no afectará el rendimiento. Aunque la Torre de Aire y el Túnel de Aire pueden ser removidos, hacerlo afectará el rendimiento o el desarrollo de la temperatura. (Para instrucciones relacionadas con la manera de removerlos, en línea, 24 horas al día, póngase en contacto con nosotros visitándonos a www.GEAppliances.com llamándonos al 800.GE.CARES.)

Acerca de TurboCool™



Cómo funciona

TurboCool enfría rápidamente el compartimiento del refrigerador para refrigerar los alimentos más rápidamente. Use **TurboCool** cuando agregue grandes cantidades de alimentos al compartimiento del refrigerador, guardando alimentos después de que han estado expuestos a temperatura ambiental o cuando se disponga a guardar platos sobrantes. También puede ser usado si el refrigerador ha estado sin suministro eléctrico por un período extenso.

Una vez activado, el compresor se encenderá inmediatamente y los ventiladores harán el ciclo de encendido y apagado a altas velocidades, según sea necesario por ocho horas. El compresor continuará funcionando hasta que el compartimiento del refrigerador se refrigere a aproximadamente 34° F (1° C), luego hará el ciclo de encendido y apagado para mantener este ajuste. Después de 8 horas, o si el **TurboCool** es presionado otra vez, el compartimiento del refrigerador regresará al ajuste original.

Cómo usar

Presione **TurboCool**. La temperatura del refrigerador mostrará **TC**.

Después de que **TurboCool** sea completado, el compartimiento del refrigerador regresará al ajuste original.

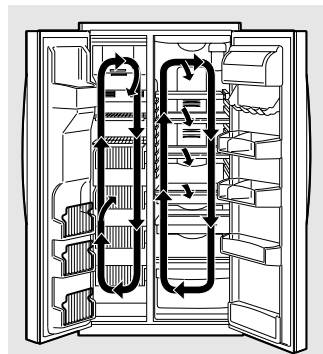
NOTAS:

*La temperatura del refrigerador no puede cambiarse durante **TurboCool**.*

*La temperatura del congelador no es afectada durante **TurboCool**.*

*Cuando abra la puerta del refrigerador durante **TurboCool**, los ventiladores continuarán funcionando si han hecho el ciclo de encendido.*

Acerca de ClimateKeeper2™



Cómo funciona

El nuevo sistema **ClimateKeeper2™** es el sistema de refrigeración más avanzado de la industria, el cual ofrece temperatura óptima y humedad para mantener los alimentos frescos por más tiempo y las quemaduras en el congelador, al mismo tiempo que se mantiene el nivel de eficiencia de nivel E star.

El nuevo sistema **ClimateKeeper2** ofrece dos evaporadores, uno para el refrigerador y el otro para el congelador.

Esto permite dos sistemas separados de enfriamiento para toda la unidad, y separa el flujo de aire entre las secciones de alimentos frescos y el congelador durante las operaciones de enfriamiento normal.*

Esto garantiza que los niveles de humedad en la sección de alimentos frescos sean significativamente mayores que en un sistema convencional,** permitiendo que los productos frescos y otros alimentos no sellados retengan el contenido de humedad y frescura más tiempo. Ahora,

los alimentos sensibles a la humedad como las frutas frescas, las ensaladas, el arroz, etc., se pueden almacenar en estantes abiertos sin una pérdida excesiva de humedad.

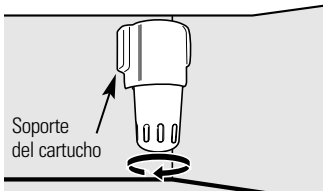
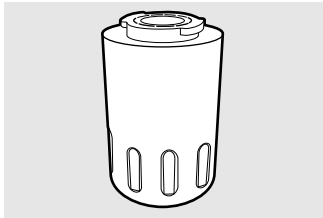
El sistema de flujo de aire separado reduce la mezcla de aire entre los dos compartimientos, lo cual reduce la transferencia de olor, resultando así en un mejor sabor del hielo.

El sistema **ClimateKeeper2** también reduce el número de ciclos de descongelación en el evaporador del congelador, mejorando así la temperatura mantenida en el congelador y reduciendo las quemaduras en el congelador.

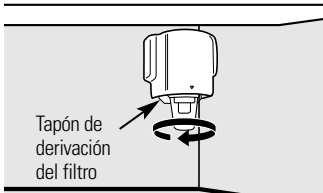
El aire del congelador se usa en la función **CustomCool.*

***Las pruebas muestran un mayor nivel de humedad en la sección de alimentos frescos en refrigeradores **ClimateKeeper2** frente a las unidades convencionales.*

En algunos modelos



Ponga la parte superior del cartucho hacia arriba dentro del soporte del cartucho y gírelo lentamente hacia la derecha.



Instalar el cartucho del filtro

El cartucho del filtro de agua está ubicado en la esquina superior derecha trasera del compartimento del refrigerador.

¿Cuándo se debe reemplazar el filtro?

En el dispensador hay una luz de indicación de recambio del cartucho del filtro de agua. Esta luz se volverá anaranjada para advertirle que necesita reemplazar el filtro pronto.

El cartucho del filtro debería reemplazarse cuando la luz indicadora de recambio se vuelva roja o si la salida de agua al dispensador o al dispositivo para hacer hielo disminuyera.

Instalar el cartucho del filtro

- 1 Si está cambiando el cartucho, remueva primero el viejo girándolo lentamente hacia la izquierda. **No** jale el cartucho directamente hacia abajo. Un poco de agua puede gotear.
- 2 Llene el cartucho de reemplazo con agua de la llave para permitir que ocurra un mejor flujo a partir del dispensador inmediatamente después de la instalación.
- 3 Situando la flecha en el cartucho a la altura del soporte del mismo, coloque la parte superior del nuevo cartucho hacia arriba dentro del soporte. **No** empuje el cartucho hacia arriba a dentro del soporte.

Gire el cartucho lentamente hacia la derecha hasta que el cartucho se pare. **NO APRETAR MUY FUERTE.** Mientras está girándolo, el se alzarán por sí mismo en su posición. El cartucho rotará aproximadamente 1/4 de vuelta.

- 4 Deje correr el agua desde el dispensador por 3 minutos (aprox. 1½ galons) para aclarar el sistema y para prevenir salpicaduras.

- 5 Presione la tecla **RESET WATER FILTER** en el dispensador y manténgala presionada durante tres segundos.

NOTA: Un cartucho de filtro de agua recién instalado puede **causar el agua de chorrear** del dispensador.

Tapón de derivación del filtro

Se debe usar el tapón de derivación del filtro cuando un cartucho de filtro de reemplazamiento no se puede encontrar. El dispensador y el dispositivo para hacer hielo no pueden funcionar sin el filtro o sin el tapón de derivación del filtro.

Filtros de recambio:

Para pedir cartuchos adicionales en los Estados Unidos, visite nuestro sitio Web, www.GEAppliances.com, o llame a GE para partes y accesorios al 800.626.2002.

GWF

Precio sugerido de venta al público \$34.95 USD.

Los entrepaños, recipientes y estantes del refrigerador.

No todos los modelos tienen todas las características.

Seguridad

Operación

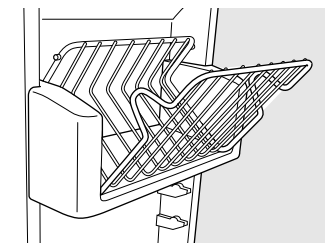
Instalación

Solucionar problemas

SopORTE al consumidor



Recipiente del refrigerador



Recipiente inclinable del congelador

Recipientes de puerta del refrigerador y recipientes inclinables de puerta de congelador

Recipientes grandes

Los recipientes de la puerta del refrigerador y los recipientes inclinables de puerta de congelador más grandes son ajustables.

Para extraerlos: Levante la parte frontal del recipiente hacia arriba, luego levántelo y sáquelo.

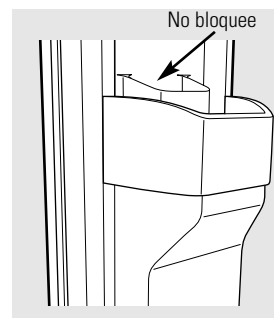
Para reemplazarlos o reubicarlos: Ajuste la parte trasera del recipiente en los soportes moldeados de la puerta. Luego presione hacia abajo en la parte frontal del recipiente. El recipiente se ajustará en su sitio.

Recipientes pequeños

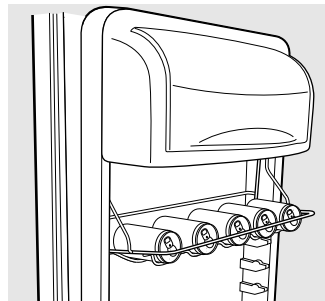
Para extraerlos: Levante la parte frontal del recipiente hacia arriba, luego sáquelo.

Para reemplazarlos: Sitúe el recipiente por encima de los soportes moldeados rectangulares en la puerta. Luego deslice el recipiente hacia abajo hacia el soporte para que se ajuste en su lugar.

La **tapa deslizante** ayuda a prevenir que un golpecito haga derramarse algo o que las cosas pequeñas guardadas en el interior del entrepaño de la puerta se caigan o resbalen. Ponga un dedo en cada lado de la tapa deslizante hacia la parte trasera y muévala hacia delante y hacia atrás para que se ajuste a sus necesidades.



PRECAUCIÓN: Tenga cuidado cuando reemplace artículos en el recipiente superior. Cerciórese de que ningún artículo bloquee o caiga en el vertedor de hielo.



Estante de vino/bebidas en la puerta (en algunos modelos)

Este estante sostiene hasta 5 latas, una botella de vino o una botella (2 litros) de refresco.

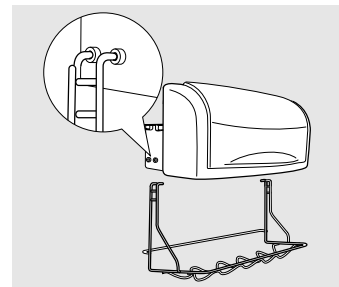
Los estantes cuelgan de los lados de la sección de productos lácteos.

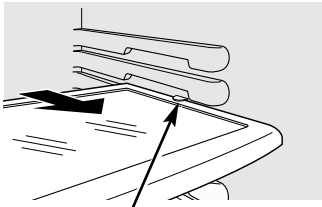
Para remover:

- 1 Vacíe el estante de vino/bebidas.
- 2 Sosteniendo el fondo de la sección de productos lácteos, levante el frente directamente hacia arriba, entonces levante y extraiga.
- 3 Para separar el estante de la sección de productos lácteos, extraiga los alambres laterales del estante por los agujeros en cada lado de la sección de productos lácteos.

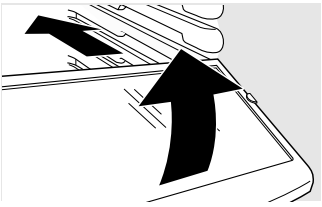
Para reemplazar:

- 1 Pegue otra vez el estante a los lados de la sección de productos lácteos.
- 2 Encaje el lado posterior en los apoyos moldeados en la puerta. Luego empuje hacia abajo en el frente de la sección. La sección encajará en su lugar.





Presione la lengüeta y jale hacia delante del entrepaño para sacarlo.



Entrepaño deslizable a prueba de derramamientos

El entrepaño deslizable permite alcanzar artículos guardados atrás de otros. Los bordes especiales están diseñados para ayudar a prevenir derramamientos o goteos a los entrepaños que se encuentran más abajo.

Para sacarlos:

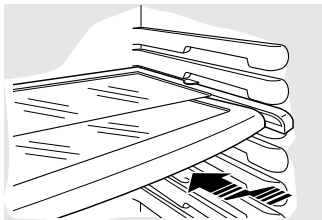
Deslice el entrepaño hacia fuera hasta que llegue al punto donde se atranca, luego apriete la lengüeta hacia abajo y deslice el entrepaño directamente hacia fuera.

Para reemplazarlos o reubicarlos:

Sitúe el entrepaño a la altura de las guías y deslícelo hacia su lugar. El entrepaño puede ser recolocado cuando la puerta esté

a 90° o más. Para recolocar el entrepaño, deslice el entrepaño más allá de los topes y dele un ángulo hacia abajo. Deslice el entrepaño hacia abajo hasta llegar a la posición deseada, colóquelo en línea con los soportes y deslícelo en su lugar.

Asegúrese de haber empujado los entrepaños hasta el fondo antes de cerrar la puerta.

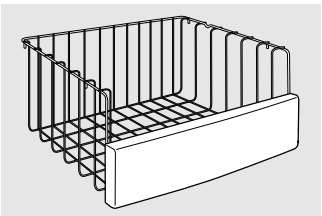


Entrepaño QuickSpace™

Este entrepaño se divide en dos y la mitad se desliza debajo de sí mismo para guardar artículos muy altos ubicados en el entrepaño que se encuentra más abajo.

Este entrepaño se puede sacar y cambiar y también puede reubicarse igual que los entrepaños deslizables a prueba de derramamientos.

En algunos modelos, este entrepaño no puede usarse en la posición más baja.



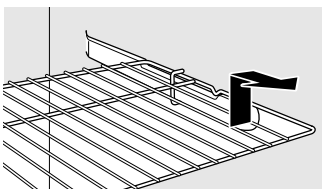
Cestas de congelador

Para sacarlas, deslícelas hasta que lleguen al punto donde se atrancan, levante la parte frontal hasta sobrepasar el punto donde se **atracan** y deslícelas.

En algunos modelos, la canasta de extensión completa puede removerse empujándola hasta el máximo hacia la

parte posterior del congelador. Levántela hasta que los pasadores se desembraguen. Levante la canasta completamente y tire de ella hacia afuera.

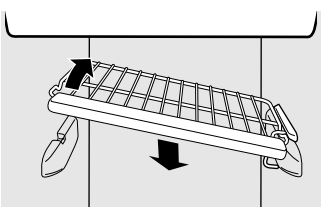
Asegúrese de haber empujado las cestas hasta el fondo antes de cerrar la puerta.



Entrepaños deslizantes del congelador

Para sacarlos, deslícelos hasta que lleguen al punto donde se atrancan, levante la parte frontal hasta sobrepasar el punto donde se **atracan** y deslícelos.

Asegúrese de haber empujado los entrepaños hasta el fondo antes de cerrar la puerta.



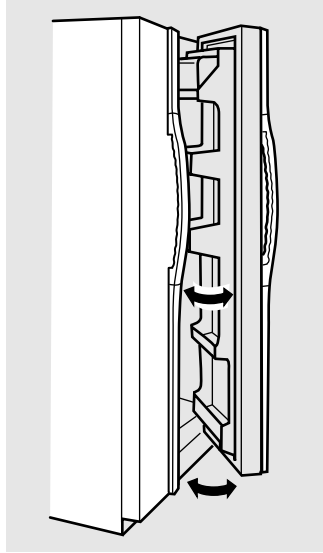
Entrepaños fijos del congelador

Para sacarlos, levante el entrepaño hacia arriba y extráigalo.

NOTA PARA LOS MODELOS CON DISPENSADORES:

Para aprovechar al máximo la inclinación para sacar el hielo del cubo, solamente almacene artículos en el entrepaño debajo del cubo de hielo que no sean más altos que el punto inferior en el cubo.

Puertas del refrigerador.



La puerta se cerrará automáticamente sólo cuando está parcialmente abierta.

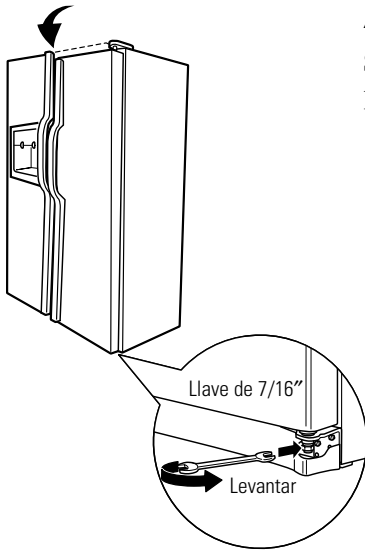
Más allá de la posición de **tope de parada**, la puerta permanecerá abierta.

Puertas del refrigerador

Es posible que Ud. note una diferencia entre el manejo de las puertas de su antiguo y nuevo refrigerador. La característica especial de abertura y cierre de las puertas asegura que estas cierren por completo y permanezcan selladas firmemente.

Cuando Ud. abre o cierre las puertas, notará una posición de **tope de parada**. Si la puerta es abierta más allá de este punto, permanecerá abierta permitiéndole así de meter y sacar alimentos del refrigerador con más facilidad. La puerta se cerrará automáticamente sólo cuando está parcialmente abierta.

La resistencia que Ud. puede notar en la posición de **tope de parada** es menor a medida que la puerta es cargada con alimentos.



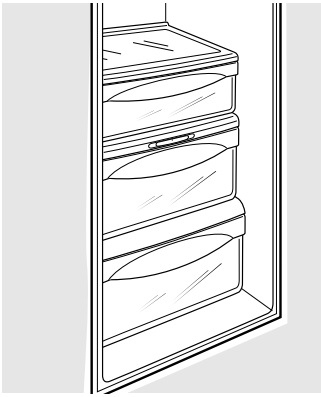
Alineación de las puertas

Si las puertas no están niveladas, ajuste le puerta de los alimentos frescos.

① Usando una llave de 7/16", gire el tornillo de ajuste de la puerta hacia la derecha para elevar la puerta; gírelo hacia la izquierda para hacerla descender. (Un tapón de nylon está encajado en la rosca del pin para impedir que el pin gire a menos de que se use una llave.)

② Después de una o dos vueltas con la llave, abra y cierre la puerta de los alimentos frescos y luego controle la alineación superior de las puertas.

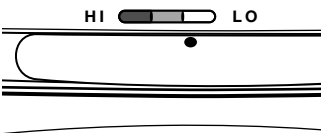
No todos los modelos tienen todas las características.



Gavetas para las frutas y los vegetales.

El exceso de agua que pueda acumularse en el fondo de las gavetas deben ser secadas.

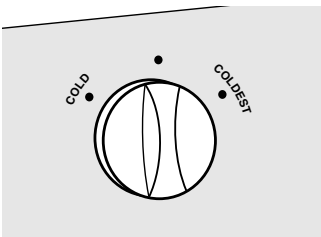
En algunos modelos la gaveta inferior tiene deslizadores de extensión total que permiten acceso total a la gaveta.



Gavetas con humedad ajustable

Deslice el control hasta llegar a la posición **HI** (alto) para proporcionar el alto nivel de humedad recomendado para la mayoría de los vegetales.

Deslice el control hasta llegar a la posición **LO** (bajo) para proporcionar el nivel de baja humedad recomendado para la mayoría de las frutas.



Bandeja convertible deli

Esta bandeja convertible deli tiene su propio conducto de refrigeración, el cual permite la circulación en dicha gaveta de aire frío proveniente del congelador.

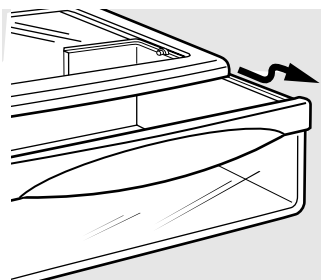
El control de temperatura variable regula la circulación de aire proveniente del Climate Keeper.

Coloque la palanca del control hacia **abajo** en la posición más fría para conservar la carne fresca.

Coloque la palanca del control hacia **arriba** en la posición fría para adaptar la gaveta a la temperatura normal del refrigerador y obtener así más espacio en el que guardar hortalizas. El conducto de refrigeración queda apagado. Se pueden seleccionar posiciones variables entre estos extremos.

Cómo sacar las gavetas.

No todos los modelos tienen todas las características.



Como sacar las gavetas

Pueden extraerse fácilmente las cajas superiores ligeramente y jalando de ellas hasta pasar el punto donde se **atrancan**.

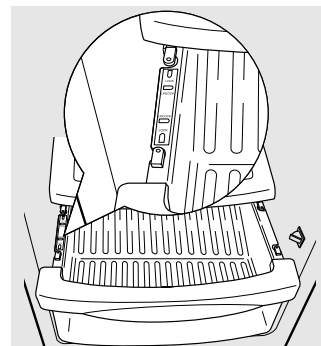
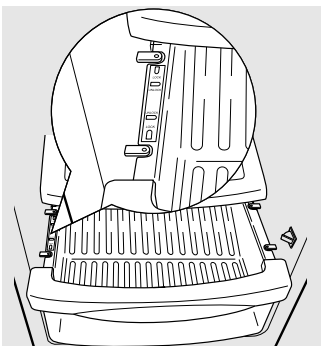
Si no puede quitar las gavetas a causa de la puerta, primero trate de sacar las bandejas de la puerta. Si esto no proporciona el espacio necesario, se necesitará hacer rodar el refrigerador hacia adelante hasta que la puerta se abra lo bastante para deslizar las gavetas hasta quitarlas. En algunos casos, cuando se hace rodar el refrigerador, hacia adelante se necesitará moverlo el refrigerador hacia la izquierda o derecha al mismo tiempo.

Para remover la caja:

- 1 Jale la gaveta hacia fuera de la posición de freno.
- 2 Gire las cuatro perillas hacia la posición de desbloqueo.
- 3 Levante el frente de la gaveta hacia arriba y hacia afuera.

Para reemplazar la caja:

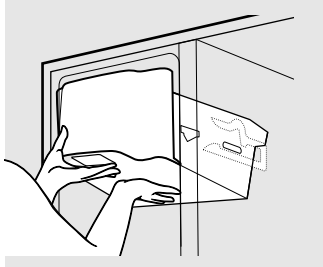
- 1 Verifique que las perillas estén en la posición de desbloqueo.
- 2 Coloque la gaveta sobre los soportes, cerciorándose de que las perillas entren en las ranuras de la gaveta.
- 3 Gire las cuatro perillas hacia la posición de bloqueo.



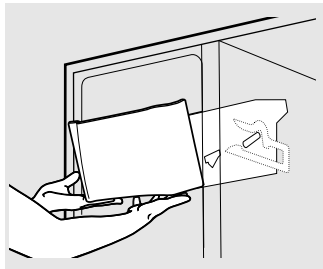
El dispositivo automático para hacer hielo.

Un refrigerador recién instalado puede tardar hasta 12 a 24 horas antes de empezar a hacer hielo.

En los modelos con dispensador, para lograr acceso al hielo o para alcanzar el interruptor:



- 1 Levante el cubo, entonces tírelo hacia afuera hasta que el cubo se detenga.



- 2 Baje el cubo para lograr acceso al hielo o para alcanzar el interruptor.

NOTA: Para aprovechar al máximo la inclinación para sacar el hielo del cubo, solamente almacene artículos en el entrepaño debajo del cubo de hielo que no sean más altos que el punto inferior en el cubo.

Dispositivo automático para hacer hielo

El dispositivo para hacer hielo producirá siete cubos por ciclo—aproximadamente 100–130 cubos en un ciclo de 24 horas, dependiendo de la temperatura del congelador, de la temperatura ambiente, del número de veces que se abra la puerta y de otras condiciones del uso.

Si el refrigerador se usa antes de que se haga la conexión de agua al dispositivo para hacer hielo, coloque el interruptor de alimentación eléctrica en la posición **0 (apagado)**.

Cuando el refrigerador está conectado al suministro de agua, coloque el interruptor de alimentación eléctrica en la posición **1 (encendido)**.

El dispositivo para hacer hielo se llenará de agua cuando la temperatura alcance el punto de -10°C (15°F). Un refrigerador recién instalado puede necesitar entre 12 y 24 horas para empezar a hacer hielo.

Escuchará un zumbido cada vez que la máquina de hielos se llene de agua.

Deshaga las primeras cargas de cubos de hielo para permitir que la línea de agua se limpie.

Asegúrese de que nada impide el movimiento del brazo detector.

Cuando el recipiente está lleno (al nivel del brazo detector), el dispositivo para hacer hielo no producirá hielo. Es normal que algunos cubos salgan pegados.

Si no se usa hielo con frecuencia, los cubos de hielo viejos se opacan, adquieren un sabor rancio y se contraen.

Notas especiales acerca de los modelos de dispensadores:

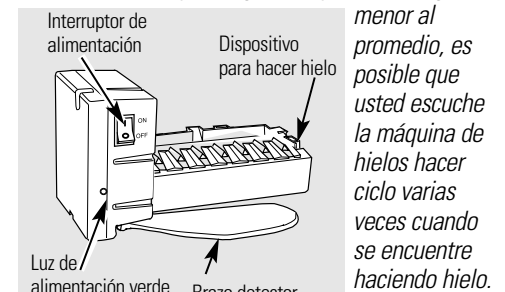
■ Los modelos de dispensadores tienen un cubo dispensador de hielo inclinable. El cubo puede ser inclinado hacia afuera como se muestra en las ilustraciones, y se sostendrá por sí solo mientras usted extrae hielo o mientras usted enciende o apaga el interruptor de la máquina de hielos. Cerciérese de colocar el cubo dispensador de regreso a su posición antes de cerrar la puerta.

■ **Para restaurar el nivel de hielo a partir de un envase vacío, los pasos siguientes son recomendados:**

- 1 12 horas después de la primera partida de hielo ha caído en el cubo, dispensa de 3 a 4 cubos de hielo.
- 2 Después de 6 horas adicionales, dispensa de 3 a 4 cubos otra vez.

Estos pasos restaurarán su nivel de hielo en la menor cantidad de tiempo.

NOTA: En casas que tengan una presión de agua

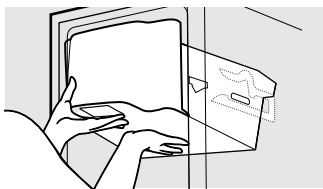


Remueva el cubo de hielo (modelos de dispensadores)

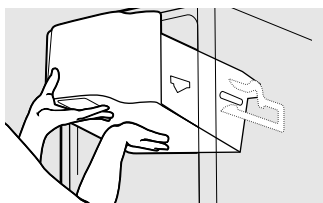
PRECAUCIÓN: Este hielo es pesado cuando está lleno.

Coloque el interruptor en la posición **0 (apagado)** antes de remover el cubo.

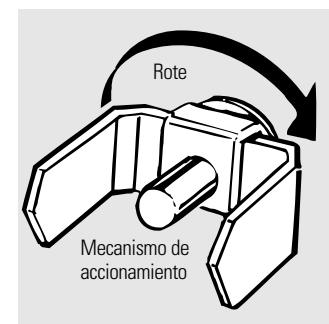
Cuando reemplace el cubo, cerciérese de presionarlo firmemente en su lugar. Si no entra hasta el máximo, remuévalo y rote el mecanismo de accionamiento con una vuelta de $1/4$. Entonces empuje el cubo hacia atrás otra vez.



- 1 Levante el cubo, entonces tírelo hacia afuera hasta que el cubo se detenga.

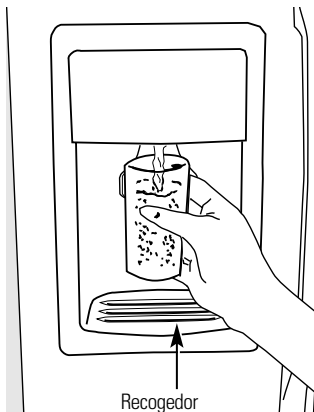


- 2 Levante y tire hacia adelante otra vez para remover el cubo.



Modelos con dispensador solamente

En algunos modelos



Para usar el dispensador

Seleccione **CUBED ICE** (cubos de hielo), **CRUSHED ICE** (hielo triturado) o **WATER** (agua).

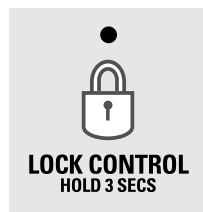
Presione el vaso suavemente contra el brazo del dispensador.

El recogedor no se vacía solo. Para evitar las manchas de agua, el recogedor y la parrilla se deberán limpiar regularmente.

Si no hay distribución de agua cuando el refrigerador está primeramente instalado, hay posibilidad de aire en el sistema de la línea de agua. Oprima el brazo del dispensador durante al menos dos minutos para eliminar el aire atrapado de la línea de agua y llenar el sistema. Para eliminar las impurezas de la línea de agua, deseche los primeros seis vasos de agua.

PRECAUCION: No introduzca nunca los dedos ni otros objetos en la apertura del dispensador de hielo triturado.

Para bloquear el dispensador



Presione la tecla **LOCK CONTROL** (control de bloqueo) durante 3 segundos para cerrar el dispensador y el panel de control. Para desbloquearlo, presione la misma tecla durante 3 segundos nuevamente.

Dispenser Light (Luz del dispensador)



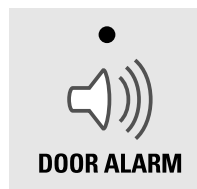
Esta tecla enciende y apaga la **luz nocturna** del dispensador. La luz también se enciende al presionar el brazo del dispensador. Si esta luz se funde debería reemplazarse con una bombilla de un máximo de 6 vatios 12 voltios.

Quick Ice (Hielo rápido)



Cuando necesite hielo rápidamente, presione esta tecla para acelerar la producción de hielo. Esto incrementará la producción de hielo durante las próximas 48 horas o hasta que vuelva a presionar la tecla.

Door Alarm (Alarma de puerta)



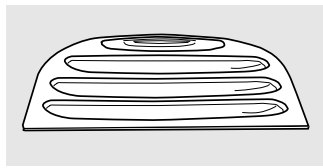
Para ajustar la alarma, presione esta tecla hasta que la luz indicadora se encienda. Esta alarma sonará si cualquiera de la puerta estuviera abierta por más de 3 minutos. La luz y el sonido cesan automáticamente al cerrarse la puerta.

Datos importantes de su dispensador

- No agregue hielo de charolas o de bolsas en el recipiente. Podría provocar que no salga bien o que no se triture adecuadamente.
- Evite los vasos demasiado llenos de hielo y el uso de vasos estrechos o demasiado altos. El hielo amontonado podría obstruir el orificio o hacer que se congele la puerta del orificio de manera que no se pueda abrir. Si hubiera hielo bloqueándolo, desprenda con una cuchara de madera.
- Las bebidas y los alimentos no se deberán enfriar rápidamente en el recipiente del hielo. Las latas, botellas o paquetes de comida en el recipiente de hielos podrían causar la obstrucción del dispositivo para hacer hielo o del recipiente.
- Para evitar que el hielo dispensado caiga fuera del vaso, ponga el vaso cerca, pero sin tocar, la apertura del dispensador.
- Un poco de hielo triturado puede surtir aunque había seleccionado **CUBED ICE** (cubos de hielo). Esto sucede en ocasiones cuando algunos cubos se canalizan en el triturador.
- Después de usar hielo triturado, un poco de agua puede gotear del vertedero.
- A veces, se formará un pequeño montón de nieve en la salida del hielo situada en la puerta. Esto es normal y, por regla general, sucede cuando ha dispensado hielo picado repetidamente. La nieve se evaporará por sí misma.

Cuidado y limpieza del refrigerador.

Seguridad



Área de goteo del dispensador

Operación

Limpiar el exterior

El pozo del dispensador (en algunos modelos), por debajo de la parrilla, se debe mantener limpio y seco. El agua que se queda en el pozo puede dejar depósitos. Quite los depósitos agregando vinagre sin diluir al pozo. Remoje hasta que desaparezcan los depósitos o hasta que se desprendan lo suficiente para quitarlos.

El brazo del dispensador (en algunos modelos). Antes de limpiar, oprima y detenga la tecla **LOCK CONTROL** (control de bloqueo) durante 3 segundos. Se limpia con una solución de agua tibia y bicarbonato de sodio—aproximadamente una cucharada (15 ml) de bicarbonato de sodio por cada cuarto (1 litro) de agua. Enjuague completamente con agua y seque.

Las manijas de la puerta y los ornamentos. Se limpian con un paño humedecido con una solución de detergente suave y agua. Seque con un paño suave.

Los paneles y las empuñaduras de las puertas de acero inoxidable (en algunos modelos)

pueden ser limpiados con un limpiador para acero inoxidable para usos comerciales como *Stainless Steel Magic*.™ *Stainless Steel Magic* está disponible en Ace, True Value, Servistar, HWI y otros establecimientos como estos. Éste también puede ser ordenado llamando al Departamento de Accesorios de GE al 800.626.2002. Solicite la pieza No. WX10X15.

No utilice cera para electrodomésticos sobre el acero inoxidable.

Mantenga limpio el terminado. Limpie con un paño limpio ligeramente humedecido con cera para aparatos de cocina o un detergente suave y agua. Seque y pula con un paño limpio y suave.

No limpie el refrigerador con un paño sucio para trastes ni con un paño húmedo. Estos podrían dejar residuos que afecten a la pintura. No use estropajos, limpiadores en polvo, blanqueadores ni limpiadores que contengan blanqueador, ya que estos productos podrían rayar y desprender el terminado de pintura.

Instalación

Limpiar el interior

Para evitar olores, deje una caja abierta de bicarbonato de sodio en los compartimientos de alimentos frescos y del congelador.

Desconecte el refrigerador antes de limpiarlo. Si no fuera posible, exprima el exceso de humedad de la esponja o del paño cuando se limpie alrededor de botones, bombillas o controles.

Use agua caliente y una solución de bicarbonato de sodio—aproximadamente una cucharada (15 ml) de bicarbonato de sodio por cada cuarto (1 litro) de agua. Esta solución limpia y neutraliza olores. Enjuague y seque.

El uso de cualquier solución de limpieza que no sea la recomendada, especialmente aquella que contienen destilados del petróleo, pueden agrietar o dañar el interior del refrigerador.

Evite limpiar los entrepaños de vidrio (en algunos modelos) fríos con agua caliente, ya que la extrema diferencia de temperatura puede hacer que se quiebren. Maneje los entrepaños de vidrio con cuidado. Chocar vidrio templado puede hacer que se rompa en pedazos.

No lave partes plásticas del refrigerador en el lavaplatos.

Solucionar problemas

SopORTE al consumidor

Atrás del refrigerador

Se deberá tener cuidado al retirar el refrigerador de la pared. Todos los tipos de recubrimiento de pisos se pueden dañar, sobre todo los recubrimientos acojinados y los que tienen superficies repujadas.

Jale el refrigerador en forma recta y empuje nuevamente para devolverlo a su posición. Mover el refrigerador en dirección lateral puede causar daños al recubrimiento del piso o al refrigerador.

Al empujar el refrigerador a su lugar, asegúrese de no pasar sobre el cable eléctrico ni sobre la línea de alimentación del dispositivo para hacer hielos (en algunos modelos).

Preparación para vacaciones

En el caso de vacaciones o ausencias prolongadas, quite los alimentos y desenchufe el refrigerador. Limpie el interior con solución de bicarbonato de una cucharada (15 ml) de bicarbonato por un cuarto (1 litro) de agua. Deje abiertas las puertas.

Coloque el interruptor de alimentación eléctrica del dispositivo automático para hacer hielo en la posición **O (apagado)** y cierre el suministro de agua al refrigerador.

Si la temperatura pueda llegar al punto de congelación, haya una persona calificada para desaguar el sistema del suministro de agua (en algunos modelos) para evitar daños a la propiedad causados por inundación.

En caso de mudanza

Asegure todos los elementos sueltos como entrepaños y recipientes pegándolos con cinta adhesiva en su lugar para evitar daños.

Al usar una carretilla para mover el refrigerador, no haga descansar la parte frontal o trasera del refrigerador contra

la carretilla. Esto podría dañar el refrigerador. Manéjelo sólo desde los laterales del refrigerador.

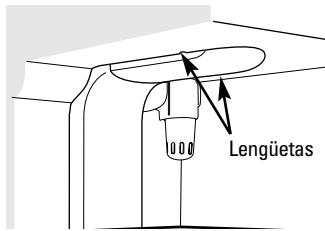
Asegúrese de que el refrigerador se coloque en posición vertical durante la mudanza.

Reemplazo de bombillas.

El colocar el control en posición **OFF** (apagado) no quita la corriente del circuito de la luz.

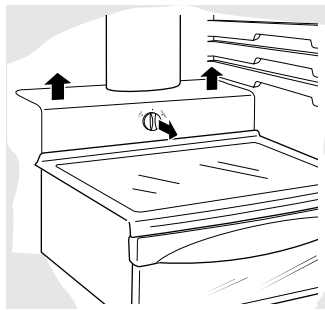
Seguridad

Operación



Compartimento del refrigerador—Luz superior.

- 1 Desenchufe el refrigerador.
- 2 Las bombillas están situadas en la parte superior del compartimento, dentro de la cubierta de la luz. En algunos modelos, es necesario retirar un tornillo de la parte frontal de la cubierta de la luz.
- 3 Para retirar el protector de la luz, en algunos modelos, presione las pestañas en el protector y deslice hacia delante y afuera. En otros modelos, sólo deslice hacia delante y afuera.
- 4 Tras reemplazar la bombilla con una bombilla de electrodoméstico del mismo voltaje o inferior, vuelva a colocar la cubierta de la luz y los tornillos (en algunos modelos). Al reemplazar la cubierta de la luz, asegúrese de que las lengüetas de la parte trasera de la cubierta quepan en las ranuras de la parte trasera del emplazamiento de la cubierta de la luz.
- 5 Vuelva a enchufar el refrigerador a la corriente.

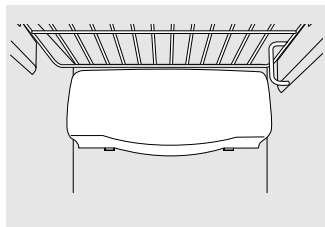


Compartimento del refrigerador—Luz inferior.

Esta luz está situada por encima de la gaveta superior.

- 1 Desenchufe el refrigerador.
- 2 Retire el mango de control de la gaveta convertible de carne jalando directamente hacia fuera.
- 3 Levante la cubierta de la luz y jale de ella.
- 4 Después de reemplazar la bombilla con una bombilla de electrodomésticos del mismo voltaje o inferior, reemplace la cubierta y el mango.
- 5 Vuelva a enchufar el refrigerador a la corriente.

Instalación



Compartimento del congelador

- 1 Desenchufe el refrigerador.
- 2 Retire el entrepaño justo por encima de la cubierta de la luz. (El entrepaño será más fácil de quitar si se vacía primero.) En algunos modelos, tendrá que retirarse un tornillo de la parte superior de la cubierta de la luz.
- 3 Para quitar la cubierta, presione en los lados y levántela hacia arriba y afuera.
- 4 Reemplace la bombilla con una bombilla de electrodomésticos del mismo voltaje o inferior, y reinstale la cubierta de la luz. Al reinstalar la cubierta de la luz, asegúrese de que las lengüetas superiores hacen clic en su lugar de forma segura. Vuelva a colocar el tornillo (en algunos modelos).
- 5 Vuelva a instalar el entrepaño y enchufe el refrigerador de nuevo.

Solucionar problemas

Dispensador (en algunos modelos)

- 1 Desenchufe el refrigerador.
- 2 La bombilla está situada en el dispensador bajo el panel de control. Quite la bombilla girándola en sentido contrario a las agujas del reloj.
- 3 Cambie la bombilla por una bombilla del mismo tamaño y voltaje.
- 4 Vuelva a enchufar el refrigerador a la corriente.

Soprote al consumidor

Molduras y paneles decorativos.

Para los modelos "CustomStyle"

Lea las instrucciones completamente y debidamente.



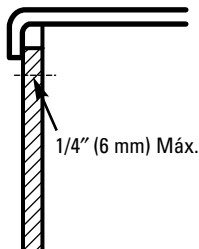
Antes de que empiece

Algunos modelos están equipados con molduras que le permiten instalar paneles en las puertas. Puede usted ordenar los paneles decorativos precortados en negro, blanco, bisqué o de acero inoxidable en GE Parts and Accessories (partes y accesorios), 800.626.2002 o puede añadir paneles de madera para que hagan juego con los gabinetes de su cocina.

Paneles de menos de 1/4" (6 mm) de espesor

Cuando instale paneles de madera de menos de 1/4" (6 mm) de espesor, necesita crear un panel de relleno, tal como un cartón de 1/8" (3 mm) de espesor, que se ajuste entre el frente de la puerta y el panel de madera para obtener un ajuste apropiado. Si usted está instalando los paneles decorativos precortados, los paneles precortados de relleno se incluyen en el juego. El espesor combinado del panel decorativo o de madera y del panel de relleno debe ser de 1/4" (6 mm).

Paneles de 1/4" (6 mm) de grosor o menos



Panel de 3/4" (19 mm) o panel levantado

Puede utilizarse un diseño de panel levantado, atornillado o pegado a un soporte posterior de 1/4" (6 mm) de espesor, o una tabla guía de 3/4" (19 mm). La porción levantada del panel debe fabricarse de manera que permita un espacio de por lo menos 2" (5,1 cm) desde el lado de la manija para permitir que entren las puntas de los dedos.

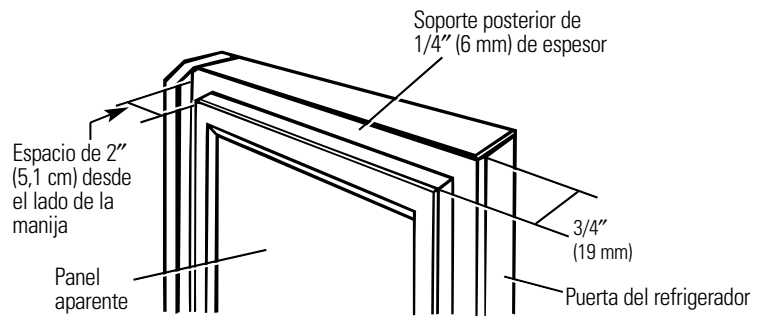
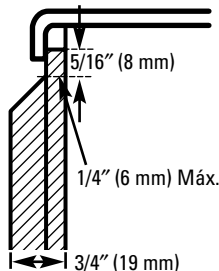
Paneles más gruesos que 1/4" (6 mm), hasta 3/4" (19 mm) Máx., requerirán que el perímetro externo de 5/16" (8 mm) del panel no sea más grueso que 1/4" (6 mm).

Limitaciones de peso para los paneles sobre medida:

Alimentos frescos 38 libras (17 kg) máximo

Puerta del congelador 28 libras (13 kg) máximo

Paneles más gruesos que 1/4" (6 mm)



Seguridad

Operación

Instalación

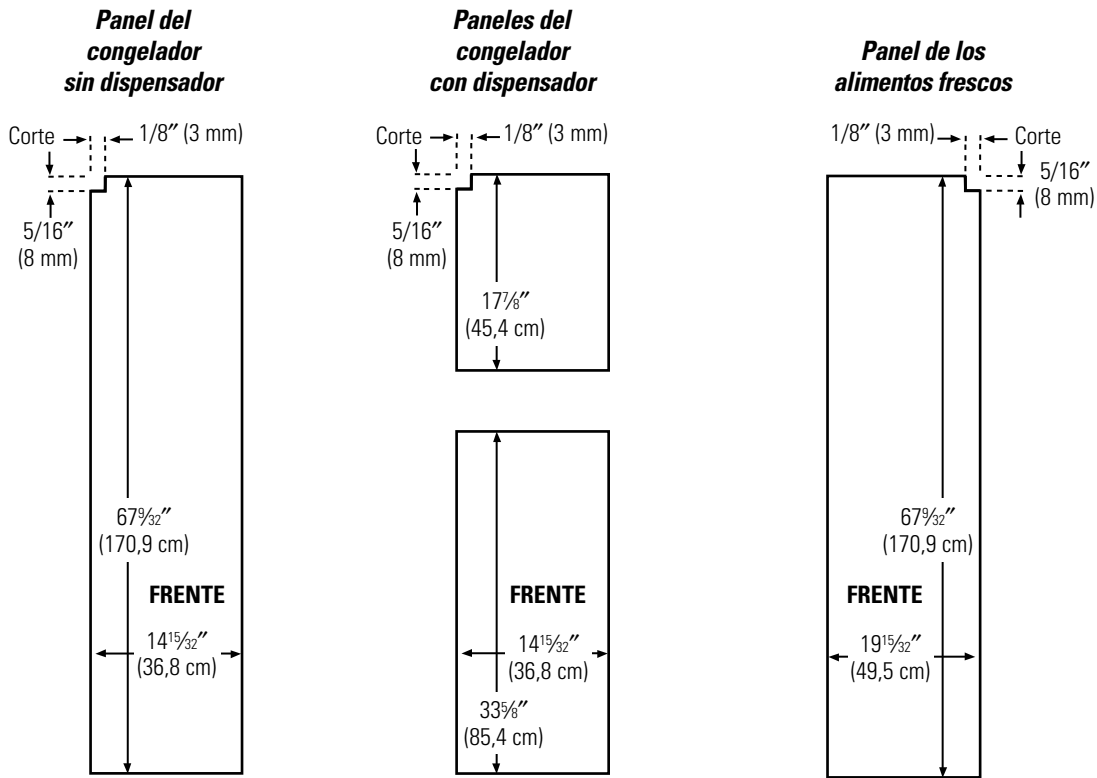
Solucionar problemas

Soporte al consumidor

Molduras y paneles decorativos.

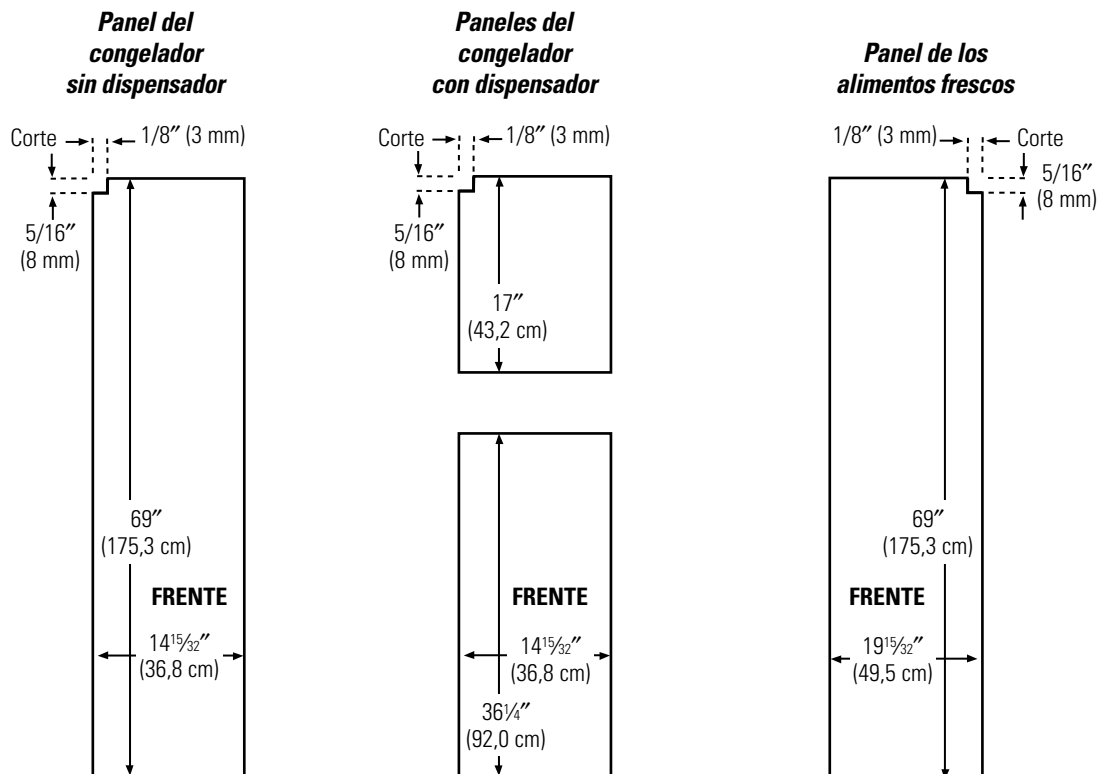
23' Dimensiones de los paneles precortados

Las áreas superiores de los paneles necesitan recortarse.



25' Dimensiones CustomStyle™ de los paneles precortados

Las áreas superiores de los paneles necesitan recortarse.



Cómo insertar los paneles de la puerta.

Lea las instrucciones completamente y debidamente.

1 Inserte el panel del congelador y panel de los alimentos frescos.

Con cuidado empuje el panel superior del congelador hasta que se deslice en la ranura detrás de la manija de la puerta. Presione el panel de relleno hacia dentro detrás del panel decorativo (esto se requiere en algunos de los paneles para puerta). Repita la operación para el panel de los alimentos frescos.

Si su modelo tiene un dispensador, este paso es aplicable sólo para el panel de alimentos frescos y el panel superior del congelador.

2 Inserte el panel inferior del congelador (en modelos con dispensadores).

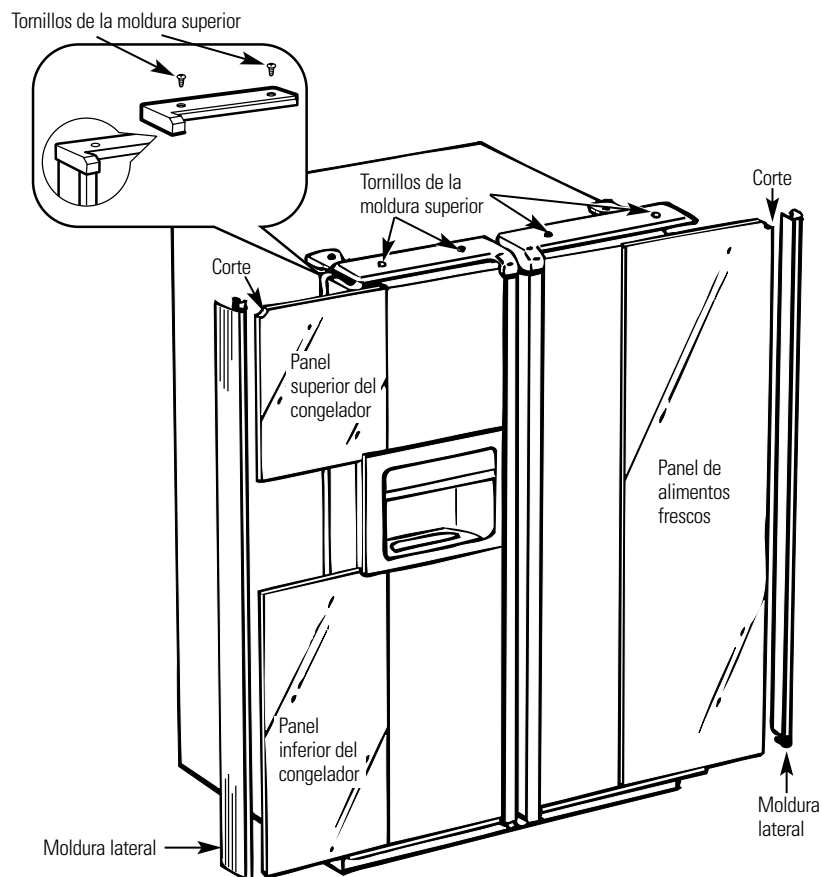
Con cuidado presione el panel hasta que éste se deslice en la ranura detrás de la manija de la puerta. Presione el panel de relleno detrás del panel decorativo (esto se requiere en algunos de los paneles para puerta).

3 Sujete la moldura superior de las puertas del congelador y de los alimentos frescos.

La moldura superior puede encontrarse en el interior del compartimento del refrigerador.

Con un Torxdriver T-20, sujete la moldura superior, usando dos tornillos en cada parte de la moldura

superior, en la parte superior de cada puerta. Apriete solamente con las manos. Cerciñese de que la parte superior de cada panel ajusta cómodamente detrás de la tapa de la moldura superior.



Cómo insertar los paneles de la puerta.

Seguridad

Operación

Instalación

Solucionar problemas

SopORTE al consumidor

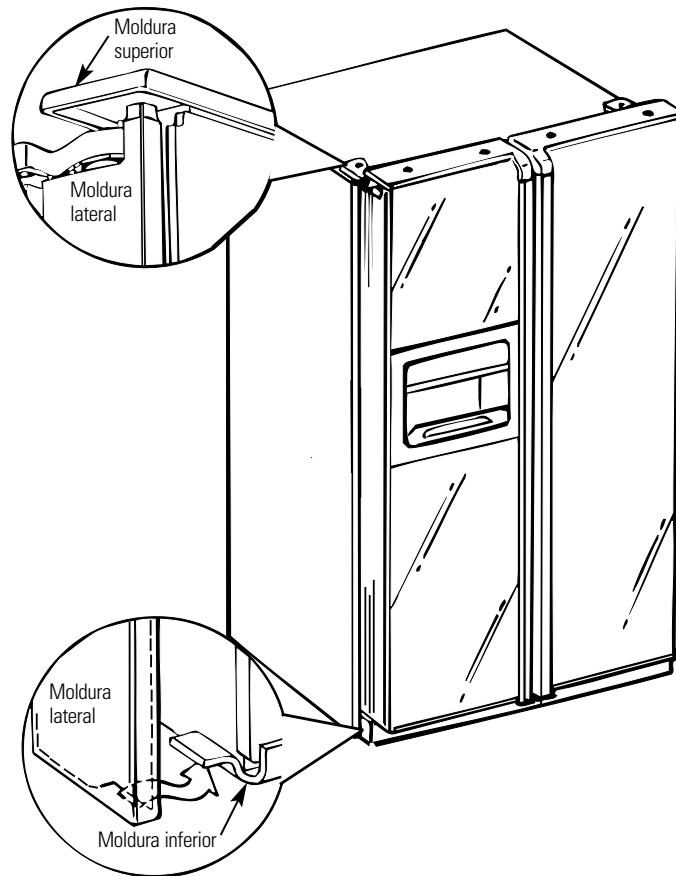
4 Instalación de la moldura lateral.

Estas piezas quedan dentro de la manija de la puerta del refrigerador.

No retire la película protectora al exterior de la moldura lateral sino hasta que haya quedado instalada la moldura lateral.

Acomode la parte inferior de la moldura lateral debajo de la moldura de la parte inferior como se ilustra.

Sujete la moldura lateral contra la cara delantera de los paneles decorativos y sujete la moldura lateral debajo de la moldura superior. Asegúrese de que la moldura lateral magnéticamente pegada tenga el relleno adecuado y que quede satisfecho con el aspecto de todas las partes.



Instrucciones para la Instalación

Refrigerador

Modelos 23, 25, 26, 27 y 29

¿Preguntas? Llame al 800.GE.CARES (800.432.2737) o bien Visite nuestra página Web: GEAppliances.com

ANTES DE INICIAR

Lea estas instrucciones completa y cuidadosamente.

- **IMPORTANTE** — Guarde estas instrucciones para uso del inspector local.
- **IMPORTANTE** — Observe todos los códigos y órdenes de ley.
- **Nota al instalador** – Asegúrese de dejar estas instrucciones con el consumidor.
- **Nota al consumidor** – Conserve estas instrucciones para referencia futura.
- **Nivel de destreza** – La instalación de este aparato requiere de destrezas mecánicas básicas.
- **Tiempo de ejecución** – Instalación del refrigerador 30 minutos
Instalación de la línea de agua 30 minutos
- La instalación apropiada es la responsabilidad del instalador.
- La falla del producto debido a una instalación inadecuada no está cubierta por la garantía.

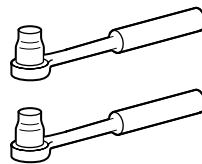
Si el refrigerador ya ha sido instalado, remueva la parrilla base (Ver el Paso 2 en *Cómo mover el Refrigerador*), entonces pase al Paso 5 en *Cómo instalar el Refrigerador*.

PREPARACIÓN

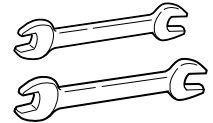
SUMINISTRO DE AGUA HACIA LA MÁQUINA DE HIELOS

Si el refrigerador tiene una máquina de hielos, se tendrá que conectar a una tubería de agua potable fría. Un kit de suministro de agua (contiene tubería de cobre, válvula de cierre, accesorios e instrucciones) está disponible con un costo adicional a través de su proveedor, visitando nuestra página Web GEAppliances.com o bien a través de Partes y Accesorios, 800.626.2002.

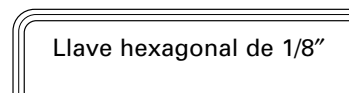
HERRAMIENTAS QUE USTED NECESITARÁ



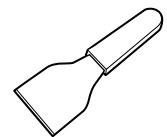
Cubo de 3/8" y 5/16"



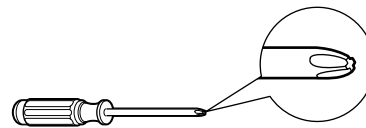
Llave de 1/2" y 7/16"



Llave hexagonal de 1/8"



Cuchilla plástica de masilla



Destornillador Phillips

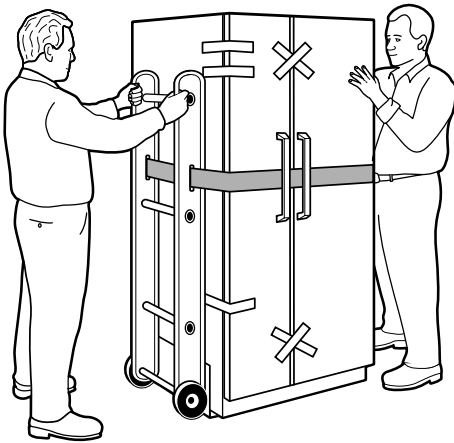
Instrucciones para la instalación

CÓMO MOVER EL REFRIGERADOR

1 CÓMO CARGAR EL REFRIGERADOR EN UNA CARRETILLA DE MANO

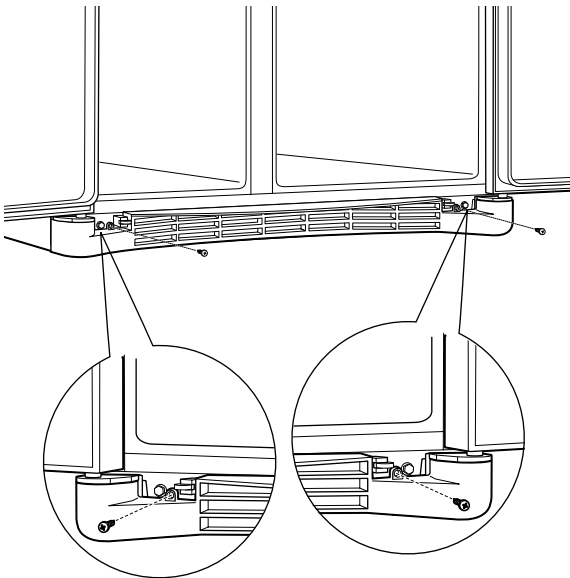
Deje toda la cinta adhesiva y las almohadillas hasta que el refrigerador llegue a su destino final.

Para mover el refrigerador use una carretilla de mano con almohadillas. Coloque el refrigerador en el centro de la carretilla y asegúrelo con un cinturón de seguridad alrededor del refrigerador. **NO LA APRIETE DEMASIADO.**



2 REMUEVA LA BASE DE LA PARRILLA

Remueva la parrilla removiendo los dos tornillos de cabeza Phillips.



Si el refrigerador debe pasar por alguna entrada menor de 38" de ancho, entonces las puertas deben ser removidas. Proceda al paso 3.

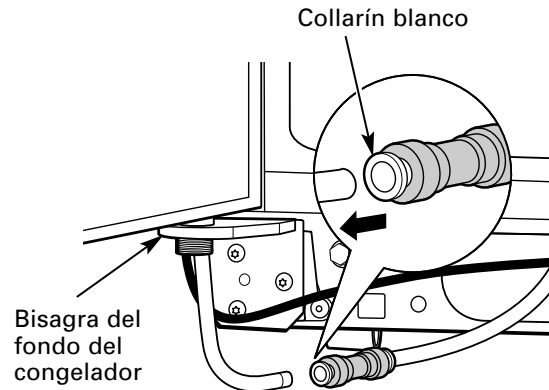
NO REMUEVA las manijas.

Si todas las entradas son más anchas de 38" pase a *Cómo instalar el refrigerador.*

3 DESCONECTE EL ACOPLAMIENTO DE AGUA (en algunos modelos)

Si el refrigerador tiene un dispensador de agua, eso significa que hay una línea de agua que viene desde el gabinete hacia la bisagra del fondo de la puerta del congelador que debe ser desconectada.

Para desconectarla, empuje hacia adentro sobre el collarín blanco del acoplamiento y entonces extraiga la tubería.

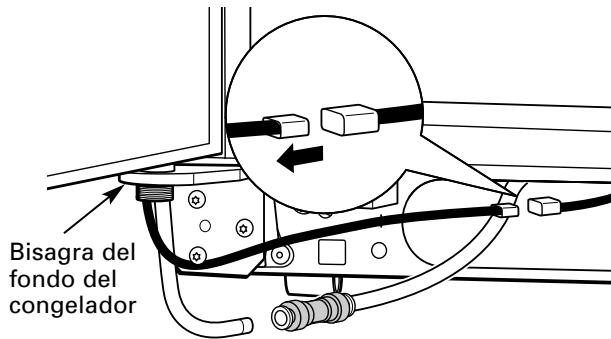


Instrucciones para la instalación

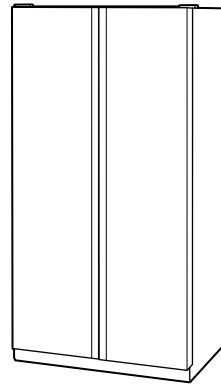
4 DESCONECTE EL ACOPLAMIENTO ENERGÉTICO (en algunos modelos)

Si el refrigerador tiene un dispensador de agua, hay una línea de suministro eléctrico (alambrado) desde el gabinete hacia la bisagra del fondo de la puerta del congelador que debe ser desconectado.

Para desconectar, separe el acoplador.



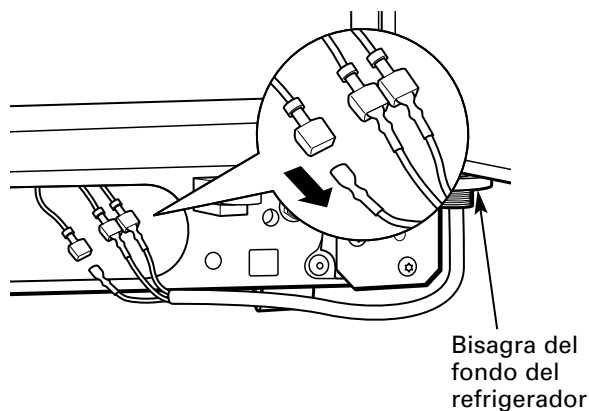
6 CIERRE LAS PUERTAS DEL CONGELADOR Y DEL REFRIGERADOR



5 DESCONECTE LOS CONECTADORES ELÉCTRICOS (en algunos modelos)

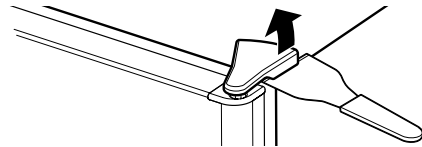
Si el refrigerador tiene un centro para refrescar, hay conectores eléctricos (alambrados) desde el gabinete hasta la bisagra del fondo del refrigerador que deben ser desconectados.

Para desconectar, separe cada conector.



7 REMUEVA LA PUERTA DEL CONGELADOR

- A** Remueva la cubierta de la bisagra superior de la puerta del congelador (si viene equipado) apretándola y levantándola o simplemente levantándola por uno de sus costados con una cuchilla plástica de masilla.

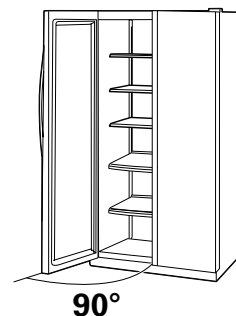


- B** Remueva los dos tornillos de cabeza hexagonal de 5/16" ó 1/8", entonces levante la bisagra hacia arriba para liberarla del pasador de la bisagra.

Cabeza hexagonal de 5/16" ó 1/8"



- C** Abra la puerta del congelador a 90°.

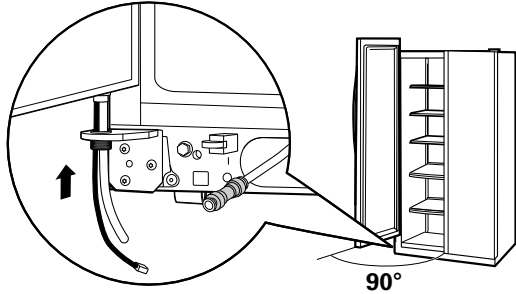


Instrucciones para la instalación

CÓMO MOVER EL REFRIGERADOR (CONT.)

7 REMUEVA LA PUERTA DEL CONGELADOR (cont.)

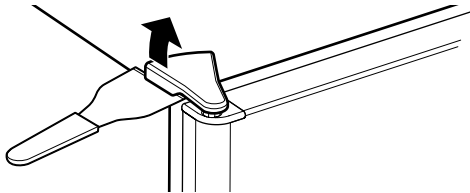
- D** Mientras una persona levanta lentamente la puerta del congelador y la libera de la bisagra del fondo, una segunda persona debe, con cuidado, guiar la línea de agua y la línea energética (alambrado) a través de la bisagra del fondo.



- E** Coloque la puerta en una superficie donde no se ralle con la parte interna hacia arriba.

8 REMUEVA LA PUERTA DEL REFRIGERADOR

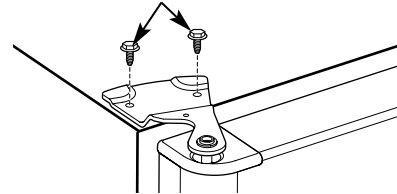
- A** Remueva la cubierta de la bisagra superior de la puerta del refrigerador (si viene equipado) apretándola y levantándola o levantándola por uno de sus costados con una cuchilla plástica de masilla.



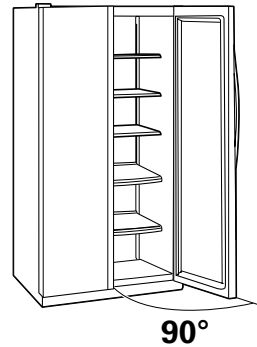
8 REMUEVA LA PUERTA DEL REFRIGERADOR (cont.)

- B** Remueva los dos tornillos de cabeza hexagonal de 5/16" ó 1/8", entonces levante la bisagra hacia arriba para liberarla del pasador de la bisagra.

Cabeza hexagonal de 5/16" ó 1/8"



- C** Abra la puerta del refrigerador a 90°

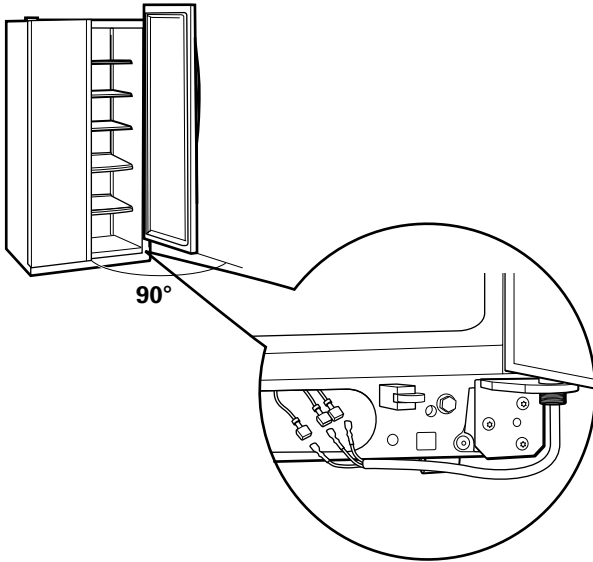


Instrucciones para la instalación

8 REMUEVA LA PUERTA DEL REFRIGERADOR (cont.)

- D** Levante la puerta del refrigerador y libérela de bisagra del fondo.

Si el refrigerador tiene un centro para refrescar, una persona levanta lentamente la puerta del congelador y la libera de la bisagra del fondo, mientras una segunda persona, con cuidado, guía la línea de agua y la línea energética (alambrados) a través de la bisagra del fondo.



Modelos con centro para refrescar solamente

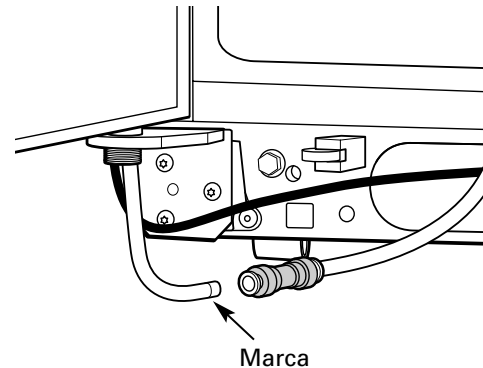
- E** Coloque la puerta en una superficie donde no se ralle con la parte interna hacia arriba.

9 CÓMO REEMPLAZAR LAS PUERTAS

Para reemplazar las puertas simplemente de reversa a los pasos del 3 al 8.

Sin embargo, note lo siguiente:

- Cuando se encuentre bajando las puertas hacia la bisagra del fondo, cerciórese de que una segunda persona guíe, con mucho cuidado, la tubería y el alambrado a través de los agujeros de las bisagras.
- Cuando se encuentre conectando la línea de agua, cerciórese de insertar la tubería hasta el máximo indicado por la marca.



- No pellizque la tubería o el alambrado mientras se encuentre reemplazando las puertas en las bisagras del fondo.
- Cuando se encuentre conectando la línea energética, (en los modelos con centro para refrescar solamente), cerciórese de que los conectadores están todos asentados juntos.

Instrucciones para la instalación

CÓMO INSTALAR EL REFRIGERADOR

LOCALIZACIÓN DEL REFRIGERADOR

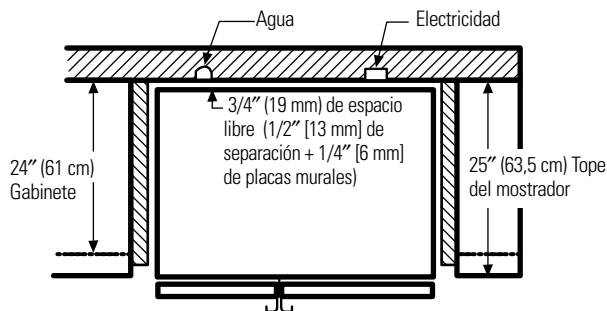
- No coloque el refrigerador donde la temperatura esté por debajo de 60° F (16° C) porque no operará con la suficiente frecuencia como para mantener las temperaturas apropiadas.
- No instale el refrigerador donde la temperatura esté por encima de 100° F (37° C) porque no funcionará apropiadamente.
- Instálelo en un piso suficientemente resistente como para soportar todo su piso.

ESPACIO

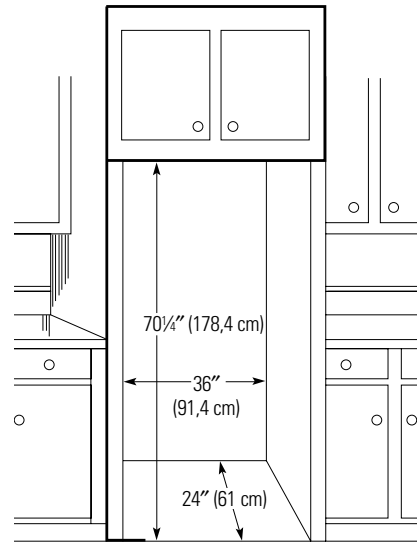
Permita los siguientes espacios para lograr una instalación fácil, una circulación apropiada del aire y conexiones eléctricas y de plomería.

| | CustomStyle™ de 23'/25' | 23' (33" de ancho), 25', 26', 27', 29' |
|------------------|----------------------------|---|
| Lados | 1/8" (4 mm) | 1/8" (4 mm) |
| Superior | 1" (25 mm) | 1" (25 mm) |
| Posterior | 1/2" (13 mm) | 1" (25 mm) |

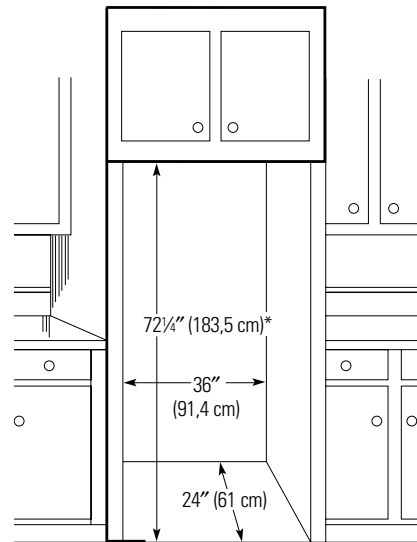
DIMENSIONES Y ESPECIFICACIONES



DIMENSIONES Y ESPECIFICACIONES (para modelos CustomStyle™ de 23')



DIMENSIONES Y ESPECIFICACIONES (para modelos CustomStyle™ de 25')



*Se requieren 72 1/4" (183.5 cm) para un ajuste completo de las ruedas de movilidad. Si los gabinetes instalados por encima del refrigerador tienen puertas niveladas con la parte superior de la abertura para el refrigerador, entonces se requieren 1/8" adicionales para permitir espacio para que las puertas del gabinete se abran libremente.

Instrucciones para la instalación

1 CÓMO CONECTAR EL REFRIGERADOR A LA LÍNEA DE AGUA DE LA CASA (en los modelos con máquina de hielos y dispensador)

Se requiere un suministro de agua fría para la operación de la máquina de hielos y el dispensador. Si no existe un suministro de agua fría, usted necesitará hacer una. Ver la sección *Cómo instalar una línea de agua fría*.

NOTAS:

- Antes de hacer la conexión, cerciórese de que el cable eléctrico del refrigerador no esté conectado al interruptor de la pared.
- Si el refrigerador no tiene un filtro de agua, recomendamos que instale uno si su suministro de agua tiene arena o partículas que pudieran obstruir la pantalla de la válvula de agua del refrigerador. Instálelo en la línea de agua cerca del refrigerador. Si usted está usando un kit de tubería de refrigeración GE SmartConnect™, usted necesitará una tubería adicional (WX08X10002) para conectar el filtro. No use tuberías plásticas para instalar el filtro.

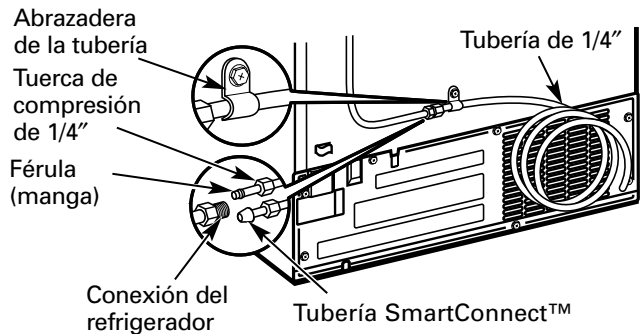
A Si usted está usando tubería de cobre, coloque una tuerca de compresión y un casquillo (manga) en el extremo de la tubería que viene del suministro de agua fría de la casa.

Si se encuentra usando tuberías de GE SmartConnect™, las tuercas están ya ensambladas a la tubería.

B Si está usando una tubería de cobre, inserte el extremo de la tubería en la conexión del refrigerador, en la parte posterior del refrigerador, hasta donde sea posible. Mientras sostiene la tubería, apriete el accesorio.

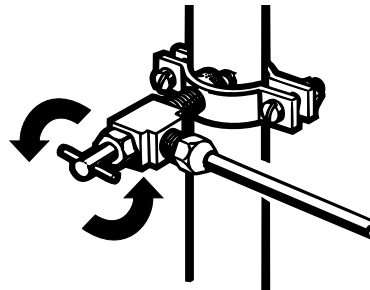
Si se encuentra usando tuberías de GE SmartConnect™, inserte el extremo moldeado de la tubería en la conexión del refrigerador en la parte posterior del refrigerador, y apriete la tuerca de compresión hasta que esté apretada a mano. Entonces apriete una vuelta adicional con una llave. Si la aprieta demasiado causará fugas.

C Apriete la tubería en la abrazadera proporcionada para sostenerla en su posición. Es posible que usted necesite levantar la abrazadera haciendo palanca.



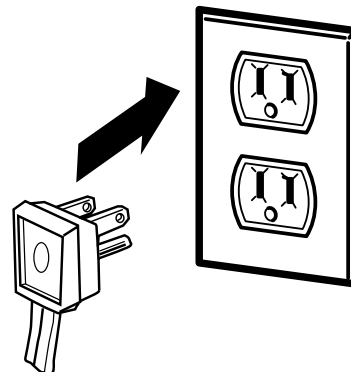
2 ACTIVE LA CONEXIÓN DE AGUA

Haga pasar la corriente de agua en la válvula de cierre (el suministro de agua de la casa) e inspeccione en busca de fugas.



3 CONECTE EL REFRIGERADOR

Antes de conectar el refrigerador cerciórese de que el interruptor de la máquina de hielos está colocada en la posición **0** (apagado).



Ver la información adjunta sobre la conexión a tierra del cable eléctrico.

Instrucciones para la instalación

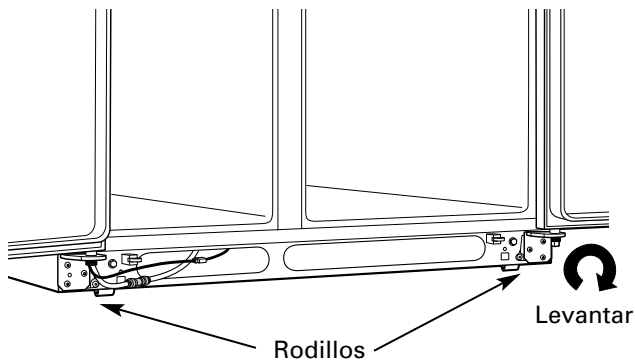
CÓMO INSTALAR EL REFRIGERADOR (CONT.)

4 COLOQUE EL REFRIGERADOR EN SU LUGAR

Mueva el refrigerador a su destino final.

5 CÓMO NIVELAR EL REFRIGERADOR

El refrigerador puede nivelarse ajustando los rodillos localizados cerca de las bisagras inferiores.

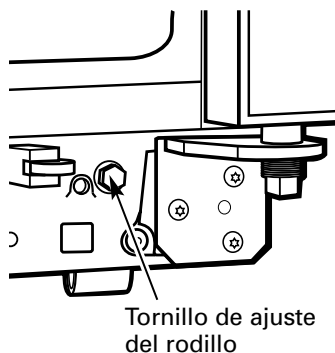


Los rodillos tienen tres propósitos:

- Los rodillos se ajustan para que la puerta cierre con facilidad cuando esté medio abierta. (Levante el frente aproximadamente 5/8" [16 mm] del piso.)
- Los rodillos se ajustan para que el refrigerador esté colocado firmemente en el piso y no tambalee.
- Los rodillos se ajustan para que el refrigerador pueda ser alejado de la pared en momentos de limpieza.

Para ajustar los rodillos en los modelos de 23' (33" de ancho), 25,' 26,' 27' y 29':

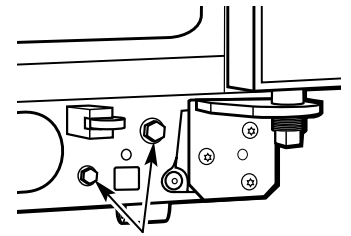
- Gire los tornillos de ajuste del rodillo en **sentido de las agujas del reloj para levantar** el refrigerador, y **en contra de las agujas del reloj para bajarlo**. Use una llave o un cubo de cabeza hexagonal de 3/8" o una llave ajustable.



5 CÓMO NIVELAR EL REFRIGERADOR (cont.)

Para ajustar los rodillos en los modelos CustomStyle™ de 23'/25':

Gire los tornillos de ajuste del frente **en sentido**



Tornillos de ajuste del rodillo

de las agujas del reloj para levantar el refrigerador, y **en contra de las agujas del reloj para bajarlo**. Use una llave hexagonal de 3/8" con extensión o una llave ajustable.

Estos modelos también tienen rodillos ajustables posteriores para que usted pueda alinear el refrigerador con los gabinetes de la cocina. Use una llave hexagonal de 3/8" con extensión para girar los tornillos posteriores—**en sentido de las agujas del reloj para levantar** el refrigerador, y **en contra de las agujas del reloj para bajarlo**.

6 CÓMO NIVELAR LAS PUERTAS

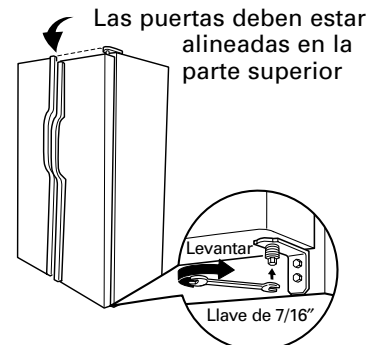
Ajuste la puerta del refrigerador para que las puertas estén niveladas en la parte superior.

Para linear:

- A** Usando una llave de 7/16," gire el tornillo ajustable de la puerta hacia la derecha para levantar la puerta, y a la izquierda para bajarla.

NOTA: Un tapón de nilón, empotrado en las roscas del pasador, evita que el pasador gire a no ser que se use una llave.

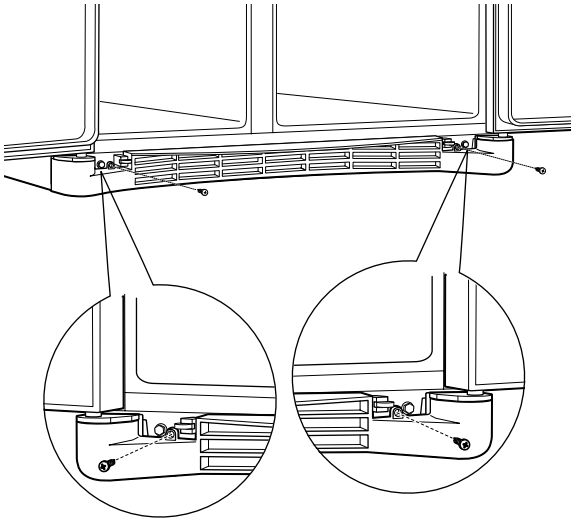
- B** Después de una o dos vueltas de la llave, abra y cierre la puerta del refrigerador y cerciórese de que están alineadas en la parte superior.



Instrucciones para la instalación

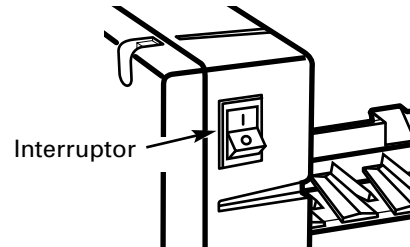
7 REEMPLACE LA PARRILLA DE LA BASE

Reemplace la parrilla de la base instalando los dos tornillos de cabeza Phillips.



9 INICIE LA MÁQUINA DE HIELOS

Fije el interruptor de la máquina de hielos en la posición **I (encendido)**. La máquina de hielos no empezará a operar hasta que alcance su temperatura de operación de 15° F (-9° C) o menor. Luego, empezará a operar automáticamente. Será necesario de 2 a 3 días para que se llene el cubo de hielo.

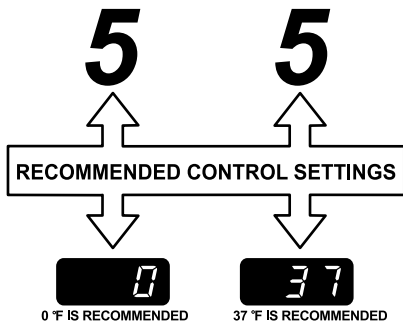


NOTA:

En condiciones de menor presión del agua, la válvula de agua puede encenderse hasta 3 veces para suministrar suficiente agua a la máquina de hielos.

8 AJUSTE LOS CONTROLES

Ajuste los controles donde se recomienda.



Instrucciones para la instalación

CÓMO INSTALAR LA LÍNEA DE AGUA (EN MODELOS CON MÁQUINA DE HIELOS Y DISPENSADOR)

ANTES DE COMENZAR

Recomendamos el uso del kit de suministro de agua de tubería de cobre WX8X2, WX8X3, o WX8X4, dependiendo de la cantidad de tubería que sea necesaria. Las líneas de tubería de refrigeradores plásticas aprobadas por GE SmartConnect™ (WX08X10002, WX08X10006, WX08X10015, y WX08X10025).

Cuando se encuentre conectado el refrigerador a un Sistema de Osmosis de agua reverso de GE, el único kit de instalación aprobado es el RVKit. Para otros sistemas de osmosis de agua reversos, siga las instrucciones en el manual del fabricante.

Si el suministro de agua del refrigerador es de un Sistema de Filtración de Osmosis de Agua Reverso Y el refrigerador también tiene un filtro de agua, use el tapón de bypass del filtración. Usar el cartucho de filtración de agua del refrigerador además del filtro RO podría resultar en la formación de cubos de hielo huecos y en un flujo de agua más lento a partir del dispensador de agua.

Esta instalación de la línea de agua no está garantizada por el fabricante del refrigerador o de la máquina de hielos. Siga estas instrucciones cuidadosamente para minimizar el riesgo de daños causados por el agua que puedan ser costosos.

Martilleo de agua (agua golpeando en las tuberías) en la plomería de la casa podría dañar las partes del refrigerador y traer consigo fugas de agua e inundación. Llame a un plomero calificado para que corrija este problema de martilleo antes de instalar la línea de suministro de agua hacia el refrigerador.

Para evitar quemaduras y daños al producto, no conecte la línea de agua fría con la línea de agua caliente.

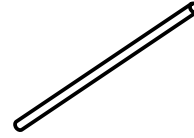
Si usted usa su refrigerador antes de conectar la línea de agua, cerciórese de que el interruptor de la máquina de hielos está en la posición **O (apagado)**.

No instale la tubería de la máquina de hielos en áreas donde la temperatura baja por debajo de la temperatura de congelamiento.

Cuando use cualquier dispositivo eléctrico (como una taladradora, por ejemplo), durante la instalación, cerciórese de que tal dispositivo esté aislado doblemente o conectado a tierra de forma tal que se evite el peligro de electrocución, u operado por batería.

Todas las instalaciones deben ser hechas de acuerdo con los códigos y requisitos locales e plomería.

LO QUE USTED NECESITARÁ



- **El kit de cobre o de tubería de refrigeración o GE SmartConnect™**, de 1/4" de diámetro para conectar el suministro de agua al refrigerador. Si se encuentra usando un kit de tuberías de cobre, cerciórese de que ambos extremos de la tubería son cuadrados.

Para determinar cuánta tubería necesitará: mida la distancia desde la válvula de agua hasta la parte posterior del refrigerador hasta el tubo de suministro de agua. Entonces agregue 2,4 m (8'). Cerciórese de que existe suficiente tubería adicional (entre 2,4 m [8'] embobinada en 3 vueltas de aproximadamente 25 cm [10"] de diámetro) para permitir el movimiento a partir de la pared.

Los kits GE SmartConnect™ de tubería de refrigerador están disponibles en las longitudes siguientes:

- 2' (0,6 m) – WX08X10002
- 6' (1,8 m) – WX08X10006
- 15' (4,6 m) – WX08X10015
- 25' (7,6 m) – WX08X10025

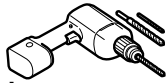
Cerciórese de que el kit que usted seleccione tenga por lo menos 2,4 m (8'), como describimos anteriormente.

Instrucciones para la instalación

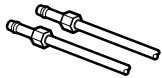
LO QUE USTED NECESITARÁ (CONT.)

NOTA: La única tubería plástica aprobada por GE es la que proporcionamos con el Kit SmartConnect™ para refrigeradores. No use ninguna otra tubería plástica para el suministro porque la línea estará bajo presión en todo momento. Ciertos tipos de tuberías plásticas se romperán y al pasar el tiempo desarrollarán grietas y el agua podría causar daños a la casa.

- **Un kit de suministro de agua GE** (contiene tubería, válvula de cierre y el accesorio mostrado más adelante) está disponible a un costo adicional si se pone en contacto con su distribuidor o con Partes y Accesorios llamándonos al 800.626.2002 (en Canadá 1.888.261.3055).
- **Un suministro de agua caliente.** La presión del agua debe ser de entre 20 y 120 p.s.i. (1,4-8,1 bar).



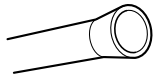
- **Taladradora eléctrica**
- **Llave ajustable o llave de 1/2".**
- **Destornilladores planos y Phillips.**



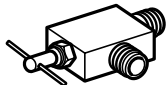
- **Dos tuercas de compresión de diámetro externo de 1/4" y 2 casquillos**—para conectar la tubería de cobre a la válvula de cierre y a la válvula de agua del refrigerador.

O

- Si se encuentra usando un kit SmartConnect™ de GE, los accesorios necesarios están preensamblados con la tubería.



- Si su línea de agua de cobre existente es ensanchada en el extremo, usted necesitará un **adaptador** (disponible en las tiendas de plomería) o conecte la línea de agua con el refrigerador **O** usted puede cortar la parte ensanchada del extremo del tubo con un **cortador de tubos** y entonces usar un accesorio de compresión. No corte un extremo formado por GE SmartConnect™ de la tubería del refrigerador.



- **Válvula de cierre** para conectar la línea de agua fría. La válvula de cierre debe tener una entrada de agua con un diámetro interno mínimo de 5/32" en el punto de conexión a la **LÍNEA DE AGUA FRÍA**. Válvulas de cierre tipo corona están incluidas en muchos kits de suministro de agua. Antes de comprar, cerciórese de que la válvula tipo corona cumple con los códigos de plomería de su localidad.

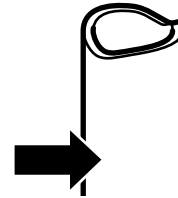
Instale la válvula de cierre en la línea de agua de tomar más cercana

1 CIERRE EL SUMINISTRO DE AGUA PRINCIPAL

Abra el grifo más cercano lo suficiente como para aclarar la línea de agua.

2 ESCOJA LA LOCALIZACIÓN DE LA VÁLVULA

Escoja una localización para la válvula de fácil acceso. Es mejor conectarla a un costado de una tubería vertical. Cuando sea necesario conectarlo en una línea horizontal, cerciórese de que la conexión sea hecha en la parte superior o en el lado, en vez del fondo, para evitar la acumulación de sedimentos de la línea de agua.

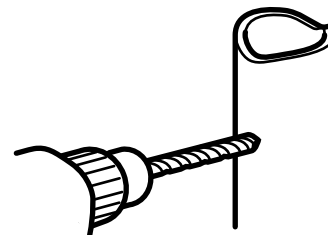


3 TALADRE UN AGUJERO PARA LA VÁLVULA

Taladre un agujero de 1/4" en la tubería de agua (aun si está usando una válvula autopercoradora), usando una broca filosa. Remueva cualquier rebaba que haya resultado del taladrado del agujero en la tubería.

Tenga cuidado de no permitir que el agua drene hacia el agujero.

No hacer un agujero de 1/4" podría resultar en una producción de agua reducida o en cubos de hielo menores.

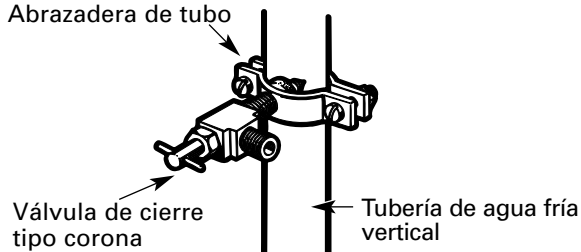


Instrucciones para la instalación

CÓMO INSTALAR LA LÍNEA DE AGUA (CONT.)

4 APRIETE LA VÁLVULA DE CIERRE

Apriete la válvula de cierre a la tubería de agua fría con una abrazadera de tubo.

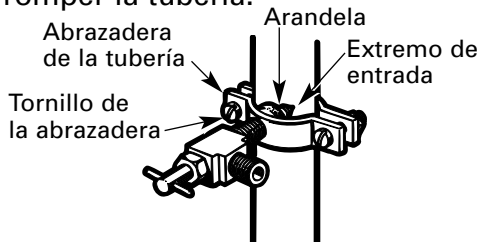


NOTA: Los códigos de plomería del estado de Massachusetts 248CMR deben ser obedecidos. Las válvulas de corona son ilegales y su uso no es permitido en Massachusetts. Póngase en contacto con un plomero licenciado.

5 APRIETE LA ABRAZADERA DE TUBO

Apriete los tornillos de la abrazadera hasta que la arandela de sello comience a ensancharse.

NOTA: No la apriete demasiado o podría romper la tubería.



6 CÓMO ORIENTAR LA TUBERÍA

Oriente la tubería entre la línea de agua fría y el refrigerador.

Oriente la tubería a través de un agujero taladrado en la pared o en el piso (detrás del refrigerador o en la base de una gabinete adyacente) tan cercano a la pared como sea posible.

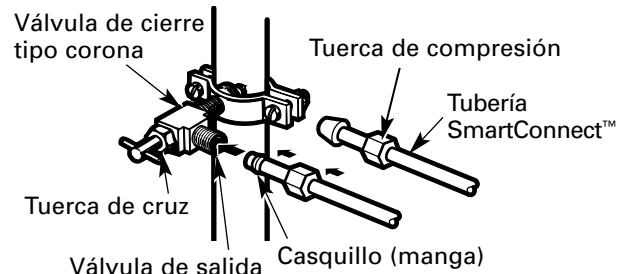
NOTA: Cerciórese que existe tubería suficiente tubería (entre 2,4 m [8'] embobinada en 3 vueltas de aprox. 25 cm [10"] de diámetro) para permitir que el refrigerador se mueva de la pared después de la instalación.

7 CÓMO CONECTAR LA TUBERÍA A LA VÁLVULA

Coloque la tuerca de compresión y el casquillo para tubería de cobre en el extremo de la tubería y conéctela con la válvula cierre.

Cerciórese de que la tubería está insertada completamente en la válvula. Apriete la tuerca de compresión con seguridad.

Para tuberías plásticas de un kit de tubería para refrigeradores SmartConnect™ GE, inserte el extremo moldeado de la tubería en una válvula de cierre y apriete la tuerca de compresión hasta que quede apretada a mano, entonces apriétela una vuelta adicional con la llave. Si la aprieta demasiado, causará fugas.

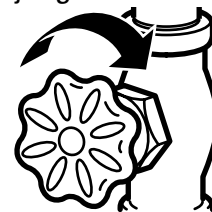


NOTA: Los códigos de plomería del estado de Massachusetts 248CMR deben ser obedecidos. Las válvulas de corona son ilegales y su uso no es permitido en Massachusetts. Póngase en contacto con un plomero licenciado.

8 ENJUAGUE LA TUBERÍA

Abra el suministro principal de agua y enjuague la tubería hasta que el agua esté totalmente limpia.

Cierre el suministro de agua en la válvula de agua cuando aproximadamente un cuarto (1 litro) haya salido a través de la tubería durante el enjuague.



Para completar la instalación del refrigerador, regrese al Paso 1 en *Cómo instalar el refrigerador*.



Los refrigeradores más nuevos producen sonidos diferentes a los modelos más antiguos. Los refrigeradores modernos tienen más funciones y usan tecnología más reciente.

¿Usted escucha lo que yo escucho? Estos sonidos son normales.

HMMMM... WHOOSH....

- El nuevo compresor de alta eficiencia puede funcionar más rápido y durar más que el de su refrigerador anterior y puede escuchar un zumbido de tono alto o un sonido pulsante mientras opera.
- A veces el refrigerador funciona por un período prolongado, especialmente cuando las puertas se abren continuamente. Esto significa que la función **Frost Guard™** está en operación para impedir que el congelador se queme y mejorar la preservación de los alimentos.
- Puede escuchar un sonido de soplido cuando las puertas se cierran. Esto se debe a que la presión se está estabilizando dentro del refrigerador.

¡WHIR!



- Puede escuchar los ventiladores moviéndose a gran velocidad. Esto pasa cuando el refrigerador se conecta por primera vez, cuando las puertas se abren frecuentemente o cuando se guarda gran cantidad de alimentos en el refrigerador o en los compartimientos del congelador. Los ventiladores están ayudando a mantener las temperaturas correctas.
- Si cualquiera de las puertas permanece abierta por más de 8 minutos, puede escuchar los ventiladores para enfriar los focos de luz.
- Los ventiladores cambian la velocidad para suministrar enfriamiento óptimo y ahorrar energía.

CHASQUIDOS, ESTALLIDOS, CRUJIDO, GORJEOS

- Puede escuchar sonidos como de crujido o estallidos cuando el refrigerador se conecta por primera vez. Esto pasa a medida que el refrigerador se enfría hasta la temperatura correcta.
- Los reguladores electrónicos se abren y se cierran para ofrecer un enfriamiento óptimo y ahorrar energía.
- El compresor puede causar un chasquido o un gorjeo cuando intenta volver a arrancar (esto puede tomar hasta 5 minutos).
- El tablero de control electrónico puede causar un sonido de chasquido cuando se activa el relé para controlar los componentes del refrigerador.
- Expansión y contracción de las bobinas durante o después del ciclo de descongelación puede causar sonidos como de crujido o estallidos.
- En modelos con máquina de hielos, después de completar un ciclo de hacer hielo, se pueden escuchar los cubos de hielo cuando caen a la bandeja de hielos.

SONIDOS DE AGUA



- El fluido del refrigerante a través de las bobinas puede producir un sonido de borboteo como de agua hirviendo.
- El agua que cae en el calentador de descongelación puede causar un chisporroteo, estallido o zumbido durante el ciclo de descongelación.
- Un ruido de agua cayendo se puede escuchar durante el ciclo de descongelación a medida que el hielo se derrite del evaporador y fluye hacia la bandeja de drenaje.
- El cierre de las puertas puede producir un sonido de gorgoteo debido a la estabilización de la presión.



Para información adicional acerca de los sonidos de operación de las máquinas de hielo o de los dispensadores, ver las secciones **Acerca del dispositivo automático para hacer hielo** y **Acerca del dispensador de hielo y agua**.

Antes de solicitar un servicio...



Solucionar problemas
¡Ahorre tiempo y dinero! Revise las tablas en las siguientes páginas y tal vez no necesitará de solicitar un servicio.

Seguridad

Operación

Instalación

Solucionar problemas

SopORTE al consumidor

| Problema | Causas Posibles | Qué hacer |
|--|--|---|
| El refrigerador no funciona | Refrigerador en ciclo de descongelar. | • Espere 30 minutos para que la descongelación se termine. |
| | Controles de temperatura en posición 0 . | • Mueva los controles de temperatura hasta un ajuste de temperatura. |
| | El refrigerador esté desconectado. | • Empuje la clavija completamente en el enchufe. |
| | Fusible fundido/ interruptor de circuito roto. | • Reemplace el fusible o reajuste el interruptor. |
| | El refrigerador está en la condición de exhibición. | • Desconecte el refrigerador y conéctelo otra vez. |
| Vibraciones o sacudidas (una vibración ligera es normal) | Los rodillos requieren un ajuste. | • Vea <i>Rodillos</i> . |
| El motor opera durante períodos prolongados o se arranca y se para con frecuencia. (Refrigeradores modernos con más espacio de almacenamiento y un congelador más grande requieren más tiempo de operación. Se arrancan y se paran a para mantener temperaturas uniformes.) | Es normal cuando el refrigerador es recién instalado en su casa. | • Espere 24 horas para que el refrigerador se enfríe completamente. |
| | Ocurre cuando hay largas cantidades de alimentos en el refrigerador. | • Eso es normal. |
| | Se dejó abierta la puerta. | • Revise si un paquete mantiene la puerta abierta. |
| | Clima caluroso o aperturas frecuentes de la puerta. | • Eso es normal. |
| | Controles de temperatura ajustados al punto más frío. | • Vea <i>Los controles</i> . |
| Refrigerador o congelador demasiado cálido | El control de temperatura no se fijó bastante frío. | • Vea <i>Los controles</i> . |
| | Clima caluroso o aperturas frecuentes de la puerta. | • Fije el control de temperatura un paso más frío. Vea <i>Los controles</i> . |
| | Se dejó abierta la puerta. | • Revise si hay un paquete que mantiene la puerta abierta. |
| Escarcha o cristales de hielo en alimentos congelados (escarcha en paquete es normal) | Se dejó abierta la puerta. | • Revise si hay un paquete que mantiene la puerta abierta. |
| | La puerta se abre con frecuencia o por mucho tiempo. | |
| El divisor entre el refrigerador y el congelador se siente tibio | Ahorro automático de energía circula líquido tibio en la frente del congelador. | • Eso ayuda prevenir la condensación en el exterior. |
| Zumbido frecuente | El interruptor de la máquina de hielos está en la posición de I (encendido) , pero el suministro de agua hacia el refrigerador no está conectado. | • Fije el interruptor en la posición de 0 (apagado) ; mantener el interruptor en la posición de I (encendido) dañará la válvula del agua. |

| Problema | Causas Posibles | Qué hacer |
|--|--|--|
| Los cubos tienen mal olor/sabor | El recipiente para los cubos necesita limpieza. | • Vacíe y limpie el recipiente. Deseche los cubos. |
| | Alimentos transmitiendo olor/sabor a los cubos. | • Envuelva bien los alimentos. |
| | El interior del refrigerador requiere limpieza. | • Vea <i>Cuidado y limpieza</i> . |
| Dispositivo automático para hacer hielo no funciona | El interruptor de alimentación eléctrica del dispositivo automático para hacer hielo está en la posición O (apagado) . | • Coloque el interruptor de alimentación eléctrica en la posición I (encendido) . |
| | El agua está cerrada o no está conectada. | • Vea <i>Instalar la línea de agua</i> . |
| | El compartimiento del congelador es muy cálido. | • Espere 24 horas para que se enfríe el refrigerador. |
| | Cubos apilados en el recipiente apaga el dispositivo para hacer hielo. | • Nivele los cubos con la mano. |
| | Cubos de hielo atorados en dispositivo para hacer hielo. (La luz verde de corriente en dispositivo de hielo está destellando). | • Apague el dispositivo de hielo, retire los cubos y vuelva a poner el dispositivo en marcha. |
| Formación lenta del hielo | Se dejó abierta la puerta. | • Revise si hay un paquete que mantiene la puerta abierta. |
| | El control de temperatura no es bastante frío. | • Vea <i>Los controles</i> . |
| Cubos pequeños o huecos | Filtro de agua tapado. | • Reemplace el cartucho del filtro con uno nuevo o con el tapón. |
| El dispensador de hielo no funciona (en algunos modelos) | Dispositivo de hielo apagado o el agua está apagado. | • Enciende el dispositivo de hielo o el agua. |
| | Los cubos están pegados al brazo detector. | • Remueve los cubos. |
| | Un artículo está bloqueando o se ha caído dentro del vertedor de hielo dentro del recipiente superior de la puerta del congelador. | • Remueva cualquier artículo que pueda estar bloqueando, o que se haya caído dentro del vertedor. |
| | Bloques irregulares de hielo en el recipiente. | • Rómpalos con los dedos y deseche los cubos restantes. • El congelador puede ser muy caliente. Ajuste el control a una posición más fría paso por paso hasta que no se formen bloques. |
| | El dispensador está BLOQUEADO (LOCKED) . | • Presione la tecla LOCK CONTROL (Control de bloqueo) y manténgala presionada durante tres segundos. |
| El agua tiene un sabor/olor malo (en algunos modelos) | El dispensador de agua no se uso por mucho tiempo. | • Dispense el agua hasta que todo el sistema del agua se llene de nuevo. |
| El agua en el primer vaso está tibia (en algunos modelos) | Eso es normal con un refrigerador recién instalado. | • Espere 24 horas para que se enfríe el refrigerador. |
| | El dispensador de agua no se uso por mucho tiempo. | • Dispense el agua hasta que todo el sistema del agua se llene de nuevo. |
| | El sistema de agua se ha desaguado. | • Espere algunas horas para que se enfríe el agua. |

Seguridad

Operación

Instalación

Solucionar problemas

Soporte al consumidor

Antes de solicitar un servicio...

| | Problema | Causas Posibles | Qué hacer |
|------------------------------|--|--|---|
| Seguridad | El dispensador de agua no funciona (en algunos modelos) | Suministro de agua apagado o no conectado. | • Vea <i>Instalar la línea de agua</i> . |
| | | Filtro de agua tapado. | • Reemplace el cartucho del filtro o remueve el filtro y instale el tapón. |
| | | Aire atrapado en el sistema del agua. | • Presione el brazo del dispensador por un par de minutos. |
| Operación | El dispensador está BLOQUEADO (LOCKED). | | • Presione la tecla LOCK CONTROL (Control de bloqueo) y manténgala presionada durante tres segundos. |
| | | Se seleccionó CUBED ICE (HIELO EN CUBOS) pero se dispensó CRUSHED ICE (Hielo picado) (en algunos modelos) | La última selección fue CRUSHED ICE (HIELO PICADO) . |
| Operación | No sale agua pero el dispositivo (en algunos modelos) para hacer hielo funciona | El agua en el depósito está congelada. | • Llame para servicio. |
| | | El control de temperatura demasiado frío. | • Fije el control de temperatura hasta mas cálido. |
| Instalación | El agua chorrea del dispensador | Cartucho del filtro recién instalado. | • Deje correr el agua desde el dipensador por 3 minutos (aprox. 1½ galóns). |
| | No sale agua y el dispositivo para hacer hielo no funciona | Está tapada la línea de agua o la llave de paso. | • Llame a un plomero. |
| | | Filtro de agua tapado. | • Reemplace el cartucho del filtro o remueve el filtro y instale el tapón. |
| Instalación | El dispensador está BLOQUEADO (LOCKED) | | • Presione la tecla LOCK CONTROL (Control de bloqueo) y manténgala presionada durante tres segundos. |
| | | El refrigerador huele | Alimentos transmitiendo olores al refrigerador. |
| Solucionar problemas | El interior requiere limpieza. | | • Vea <i>Cuidado y limpieza</i> . |
| | | Aire caliente a la base del refrigerador | El aire fluye para enfriar el motor. En el proceso de refrigeración es normal que salga calor de la base del refrigerador. Algunos recubrimientos de piso estan sensitivos y se descoloran a estas temperaturas normales y seguras. |
| Soporte al consumidor | Brillo anaranjado en el congelador | Calefactor de descongelación encendido. | • Eso es normal. |

| Problema | Causas Posibles | Qué hacer |
|---|--|--|
| Humedad en el exterior del refrigerador | Normal en períodos con alto grado de humedad. | <ul style="list-style-type: none"> • Seque la superficie. |
| Humedad en el interior (en clima húmedo el aire lleva la humedad al interior del refrigerador cuando se abren las puertas) | Se abre la puerta con frecuencia o por mucho tiempo. | <ul style="list-style-type: none"> • Esto es normal para el centro de bebidas. |
| | Colocando artículos en la parte superior de la bandeja deli, cierre hacia el lado izquierdo. | <ul style="list-style-type: none"> • Mueva los artículos y pásele un paño a la superficie. Un poco de niebla y pequeñas gotas son normales. |
| No funciona la luz interior | No hay corriente en el contacto. | <ul style="list-style-type: none"> • Reemplace el fusible o reajuste el interruptor. |
| | Bombilla fundida. | <ul style="list-style-type: none"> • Vea <i>Reemplazar las bombillas</i>. |
| Agua en el piso de la cocina o en el fondo del congelador | Cubos atrapados en el orificio. | <ul style="list-style-type: none"> • Empuje los cubos en el vertedero con una cuchara de madera |
| El refrigerador nunca se apaga pero las temperaturas están bien | El sistema de congelación mantiene al compresor funcionando durante la puerta está siendo abierta. | <ul style="list-style-type: none"> • Esto es normal. El refrigerador se apagará si la puerta permanece cerrada por 2 horas. |
| El refrigerador está pitando | La puerta está abierta. | <ul style="list-style-type: none"> • Cierre la puerta. |
| La puerta no se cierre correctamente | El sello de la puerta en el lado de la bisagra está pegado o doblado. | <ul style="list-style-type: none"> • Aplique parafina en la superficie frontal de la junta. |
| | Un anaquel de la puerta está chocando con unas de las parrillas internas del refrigerador. | <ul style="list-style-type: none"> • Mueva el anaquel de la puerta a una posición superior. |

Seguridad

Operación

Instalación

Solucionar problemas

Soporte al consumidor

Notas.

Soporte al consumidor

Solucionar problemas

Instalación

Operación

Seguridad

Seguridad

Operación

Instalación

Solucionar problemas

Soporte al consumidor

Hoja de Datos de Funcionamiento
Sistema de Filtración GE SmartWater
Cartucho GWF/HWF

Este sistema se ha sometido a las pruebas NSF/ANSI 42/53 a fin de reducir las sustancias presentadas a continuación. Se redujo la concentración de las sustancias indicadas en el agua que ingresan en el sistema a una concentración menor o igual al límite permitido para el agua que sale del sistema, como se especifica en NSF/ANSI 42/53.*

(Factores de 100% incorporados para la utilización no medida)

| Estándar No. 42: Efectos estéticos | | | | | | | |
|------------------------------------|-----------|-------------------------------------|----------|----------|----------------|--------|----------------------------|
| Parámetros | USEPA MCL | Calidad del influente concentración | Effluent | | % de reducción | | Reducción mínima necesaria |
| | | | Promedio | Máximo | Promedio | Mínimo | |
| Cloro | — | 2,0 mg/L ± 10% | 0,02 ppm | 0,05 ppm | 98,90% | 97,37% | ≥ 50% |
| T & O | — | — | — | — | — | — | — |
| Partículas** | — | at least 10.000 partículas/mL | 3.978 | 7.800 | 98,00% | 96,10% | ≥ 85% |

| Estándar No. 53: Efectos Relativos a la Salud | | | | | | | |
|---|------------------|---|-------------|-------------|----------------|--------|----------------------------|
| Parámetros | USEPA MCL | Calidad del influente concentración | Effluent | | % de reducción | | Reducción mínima necesaria |
| | | | Promedio | Máximo | Promedio | Mínimo | |
| Turbidez | 1 NTU*** | 11 ± 1 NTU*** | 0,07 NTU | 0,1 NTU | 99,71% | 99,59% | 0,5 NTU |
| Quistes | 99,95% Reducción | 50.000 L mínimo | 26 | 55 | 99,97% | 99,95% | > 99,95% |
| Plomo a pH 6,5 | 15 ppb | 0,15 mg/L ± 10% | 1 ppb | 1 ppb | 99,37% | 99,37% | 0,010 mg/L |
| Plomo a pH 8,5 | 15 ppb | 0,15 mg/L ± 10% | 1,8 ppb | 4,3 ppb | 98,8% | 97,13% | 0,010 mg/L |
| Lindane | 0,0002 ppm | 0,002 mg/L ± 10% | 0,00005 ppm | 0,00005 ppm | 91,93% | 91,93% | 0,0002 mg/L |
| Atrazine | 0,003 ppm | 0,009 mg/L ± 10% | 0,002 ppm | 0,003 ppm | 76,19% | 64,28% | 0,003 mg/L |
| 2,4-D | 0,100 ppm | 0,210 mg/L ± 10% | 0,042 ppm | 0,090 ppm | 84,89% | 67,63% | 0,07 mg/L |
| Asbestos | 99% | 10 ⁷ a 10 ⁸ fibras/litro; las fibras son mayores a 10 micrometros de longitud | 0,32 MFL/ml | 1,2 MFL/ml | 99,95% | 99,82% | 99% |

* Probado utilizando una tasa de flujo de 0,5 gpm (1,8927 l/min.); presión de 60 psig (4,218 Kg/cm²); pH de 7,5 ± 0,5; temp. de 20° ± 2,5°C

** Medición en partículas/ml. Las partículas usadas eran de 0,5–1 micrón.

*** Unidades de turbidez Nefelométrica—NTU

Especificaciones de Operación

- Capacidad: certificado para hasta 300 galones (1135 litros); hasta seis meses para los modelos sin luz indicadora de reemplazo de filtro; hasta un año para los modelos con luz indicadora de reemplazo de filtro
- Requerimientos de presión: 40–120 psi (2,8–8,2 bar), sin choque
- Temperatura: 33°–100°F (0,6°–38°C)
- Tasa de flujo: 0,5 gpm (1,9 lpm)

Requerimientos Generales de Instalación/Operación/Mantenimiento

- Lave el nuevo cartucho a la tasa máxima por 3 minutos para sacar el aire atrapado.
- Reemplace el cartucho cuando el flujo se haga muy lento.

Avisos Especiales

- Las instrucciones de instalación, las piezas, la información sobre la disponibilidad de servicio y la garantía estándar se incluyen con el producto al enviarlo.
- Este sistema de agua potable debe mantenerse conforme a las instrucciones del fabricante, incluyendo el reemplazo de los cartuchos.
- No se utiliza en los sitios donde el agua es de calidad microbiológicamente dudosa, ni con aguas de calidad desconocida, sin una desinfección adecuada antes o después del sistema; el sistema puede utilizarse con aguas desinfectadas que puedan contener quistes filtrables.
- Los contaminantes u otras sustancias que este sistema de tratamiento de agua puede remover o reducir; no están presentes, necesariamente, en su agua.
- Verifique el acatamiento de las leyes y reglamentos estatales y locales.
- Tome en cuenta que aunque las pruebas se realizaron bajo condiciones estándar de laboratorio, el resultado real puede variar. Los sistemas se deben instalar y operar de acuerdo con los procedimientos y las pautas que recomienda el fabricante.

Probado y Certificado según las normas ANSI/NSF 42 y 53 para la reducción de:

Estándar No. 42: Efectos Estéticos

Unidad química
 Reducción del sabor y olor
 Reducción de cloro
 Unidad de filtrado mecánico
 Reducción de partículas, Clase I

Estándar No. 53: Efectos sobre la salud

Unidad de reducción química
 Reducción del plomo y Atrazine
 Reducción del Lindane y 2,4-D
 Unidad de filtrado mecánico
 Reducción de quistes
 Reducción de turbidez



Hecho por General Electric, Appliance Park, Louisville, KY 40225

Para Compras Hechas en Iowa: Este formulario debe ser firmado y fechado por el comprador y el vendedor antes de la conclusión de esta venta. Este formulario debe ser conservado en archivo por el comprador por un mínimo de dos años.

COMPRADOR:

Nombre _____

Dirección _____

Ciudad Estado Código Postal

Firma Fecha

VENDEDOR:

Nombre _____

Dirección _____

Ciudad Estado Código Postal

Firma Fecha

Garantía del Refrigerador. (Para consumidores en los EE.UU.)

Seguridad



Todos los servicios los proporcionarán nuestros centros de fábrica o nuestros prestadores Customer Care® autorizados. Para concertar una cita de servicio, en línea, 24 horas al día, póngase en contacto con nosotros en www.GEAppliances.com, o llame al 800.GE.CARES (800.432.2737).

Grape aquí su recibo. Se requiere facilitar prueba de la fecha de compra original para obtener un servicio bajo la garantía.

Operación

Durante: GE reemplazará:

Un año
A partir de la fecha de compra original
Cualquier parte del refrigerador que falle debido a un defecto en materiales o mano de obra. Durante este **año de garantía completa**, GE también proporcionará **sin costo**, mano de obra y servicio en su hogar para reemplazar las partes defectuosas.

Cinco años
A partir de la fecha de compra original
Cualquier parte del sistema sellado de refrigeración (compresor, condensador, evaporador y todas tuberías de conexión) que falle debido a un defecto en materiales o mano de obra. Durante este **cinco años de garantía completa del sistema sellado de refrigeración**, GE también proporcionará, **sin costo**, mano de obra y servicio en su hogar domicilio para reemplazar la pieza defectuosa dentro del sistema de refrigeración sellado.

Durante la vida del producto
A partir de la fecha de compra original del producto
Los deslizadores de extensión total, si es que fallaran debido a defectos en los materiales o mano de obra. Durante esta **garantía limitada durante la vida de este producto**, usted será responsable por cualquier mano de obra o costos de servicio relacionados.

Instalación

Treinta días
A partir de la fecha de compra original del refrigerador
Cualquier parte del cartucho del filtro de agua que falle debido a defectos en los materiales o mano de obra. Durante esta **garantía limitada de treinta días**, GE también proporcionará, **sin costo**, un cartucho de filtro de agua de repuesto.

Lo que GE no cubrirá

- Viajes de servicio a su hogar para enseñarle cómo usar el producto.
- Una instalación incorrecta, entrega o mantenimiento.
- Fallas del producto si hay abuso, mal uso, o uso para otros propósitos que los propuestos, o uso para fines comerciales.
- Pérdida de alimentos por averías.
- Reemplazo de fusibles de su hogar o reajuste de interruptores de circuito.
- Causar daños después de la entrega.
- Reemplazo del cartucho del filtro para agua debido a presión de agua afuera de los límites de operación especificados o sedimento excesivo en el suministro de agua.
- Reemplazo de las bombillas o de los cartuchos de filtro de agua diferente a como se especifica anteriormente.
- Daño al producto causado por accidente, fuego, inundaciones o actos de Dios.
- Daño incidental o consecuencial causado por posibles defectos con el aparato.

Esta garantía se extiende al comprador original y a cualquier propietario que lo suceda para el caso de productos comprados para uso doméstico normal en los Estados Unidos. En Alaska, usted tendrá que pagar el flete del producto o los costos de viaje del técnico de servicio hasta su hogar.

Algunos estados no permiten la exclusión o limitación de daños incidentales o consecuenciales. Esta garantía le proporciona derechos legales específicos, y puede tener otros derechos que pueden variar de un estado a otro. Para conocer los derechos legales de su estado, consulte con su oficina local de asuntos del consumidor o al procurador general de su estado.

Solucionar problemas

SopORTE al consumidor

Garantidor: General Electric Company. Louisville, KY 40225

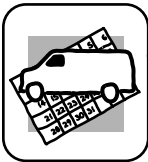
Soporte al consumidor.



Página Web de GE Appliances

www.GEAppliances.com

¿Tiene alguna pregunta sobre su electrodoméstico? ¡Pruebe la página Web de GE Appliances 24 horas al día, cualquier día del año! Para mayor conveniencia y servicio más rápido, ya puede descargar los Manuales de los Propietarios, pedir piezas o incluso hacer una cita en línea para que vengan a realizar una reparación. También puede “Ask Our Team of Experts™” (Preguntar a nuestro equipo de expertos) sobre cualquier cuestión y mucho más...



Solicite una reparación

www.GEAppliances.com

El servicio de expertos GE está a tan sólo un paso de su puerta. ¡Entre en línea y solicite su reparación cuando le venga bien 24 horas al día cualquier día del año! O llame al 800.GE.CARES (800.432.2737) durante horas normales de oficina.



Real Life Design Studio (Estudio de diseño para la vida real) www.GEAppliances.com

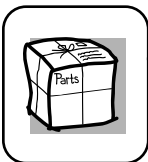
GE apoya el concepto de Diseño Universal—productos, servicios y ambientes que pueden usar gente de todas las edades, tamaños y capacidades. Reconocemos la necesidad de diseñar para una gran gama de habilidades y dificultades físicas y mentales. Para más detalles sobre las aplicaciones de GE Diseño Universal, incluyendo ideas de diseño para la cocina para personas con discapacidades, mire nuestra página Web hoy mismo. Para personas con dificultades auditivas, favor de llamar al 800.TDD.GEAC (800.833.4322).



Garantías ampliadas

www.GEAppliances.com

Compre una garantía ampliada y obtenga detalles sobre descuentos especiales disponibles mientras su garantía está aún activa. Puede comprarla en línea en cualquier momento, o llamar al (800.626.2224) durante horas normales de oficina. GE Consumer Home Services estará aún ahí cuando su garantía termine.

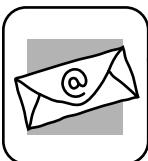


Piezas y accesorios

www.GEAppliances.com

Aquellos individuos con la calificación necesaria para reparar sus propios electrodomésticos pueden pedir que se les manden las piezas o accesorios directamente a sus hogares (aceptamos las tarjetas VISA, MasterCard y Discover). Haga su pedido en línea hoy, 24 horas cada día o llamar por teléfono al 800.626.2002 durante horas normales de oficina.

Las instrucciones descritas en este manual cubren los procedimientos a seguir por cualquier usuario. Cualquier otra reparación debería, por regla general, referirse a personal calificado autorizado. Debe ejercerse precaución ya que las reparaciones incorrectas pueden causar condiciones de funcionamiento inseguras.



Póngase en contacto con nosotros

www.GEAppliances.com

Si no está satisfecho con el servicio que recibe de GE, póngase en contacto con nosotros en nuestra página Web indicando todos los detalles así como su número de teléfono o escríbanos a:

General Manager, Customer Relations
GE Appliances, Appliance Park
Louisville, KY 40225



Registre su electrodoméstico

www.GEAppliances.com

¡Registre su nuevo electrodoméstico en línea—cuando usted prefiera! El registrar su producto a tiempo le proporcionará, si surgiera la necesidad, una mejor comunicación y un servicio más rápido bajo los términos de su garantía. También puede enviar su tarjeta de registro pre-impresa que se incluye en el material de embalaje.

Consumer Support.



GE Appliances Website

In the U.S.: www.GEAppliances.com

Have a question or need assistance with your appliance? Try the GE Appliances Website 24 hours a day, any day of the year! For greater convenience and faster service, you can now download Owner's Manuals, order parts, catalogs, or even schedule service on-line. You can also "Ask Our Team of Experts™" your questions, and so much more... **In Canada:** www.geappliances.ca



Schedule Service

In the U.S.: www.GEAppliances.com

Expert GE repair service is only one step away from your door. Get on-line and schedule your service at your convenience 24 hours any day of the year! Or call 800.GE.CARES (800.432.2737) during normal business hours. **In Canada, call 1.800.361.3400**



Real Life Design Studio

In the U.S.: www.GEAppliances.com

GE supports the Universal Design concept—products, services and environments that can be used by people of all ages, sizes and capabilities. We recognize the need to design for a wide range of physical and mental abilities and impairments. For details of GE's Universal Design applications, including kitchen design ideas for people with disabilities, check out our Website today. For the hearing impaired, please call 800.TDD.GEAC (800.833.4322).

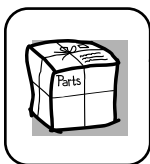
In Canada, contact: Manager, Consumer Relations, Camco, Inc.
Suite 310, 1 Factory Lane
Moncton, N.B. E1C 9M3



Extended Warranties

In the U.S.: www.GEAppliances.com

Purchase a GE extended warranty and learn about special discounts that are available while your warranty is still in effect. You can purchase it on-line anytime, or call 800.626.2224 during normal business hours. GE Consumer Home Services will still be there after your warranty expires. **In Canada, call 1.888.261.2133**



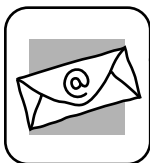
Parts and Accessories

In the U.S.: www.GEAppliances.com

Individuals qualified to service their own appliances can have parts or accessories sent directly to their homes (VISA, MasterCard and Discover cards are accepted). Order on-line today, 24 hours every day or by phone at 800.626.2002 during normal business hours.

Instructions contained in this manual cover procedures to be performed by any user. Other servicing generally should be referred to qualified service personnel. Caution must be exercised, since improper servicing may cause unsafe operation.

Customers **in Canada** should consult the yellow pages for the nearest Camco service center, or call 1.888.261.3055.



Contact Us

In the U.S.: www.GEAppliances.com

If you are not satisfied with the service you receive from GE, contact us on our Website with all the details including your phone number, or write to: General Manager, Customer Relations
GE Appliances, Appliance Park
Louisville, KY 40225

In Canada: geappliances.ca, or write to: Director, Consumer Relations, Camco, Inc.
Suite 310, 1 Factory Lane
Moncton, N.B. E1C 9M3



Register Your Appliance

In the U.S.: www.GEAppliances.com

Register your new appliance on-line—at your convenience! Timely product registration will allow for enhanced communication and prompt service under the terms of your warranty, should the need arise. You may also mail in the pre-printed registration card included in the packing material. **In Canada:** www.geappliances.ca



Free Manuals Download Website

<http://myh66.com>

<http://usermanuals.us>

<http://www.somanuals.com>

<http://www.4manuals.cc>

<http://www.manual-lib.com>

<http://www.404manual.com>

<http://www.luxmanual.com>

<http://aubethermostatmanual.com>

Golf course search by state

<http://golfingnear.com>

Email search by domain

<http://emailbydomain.com>

Auto manuals search

<http://auto.somanuals.com>

TV manuals search

<http://tv.somanuals.com>