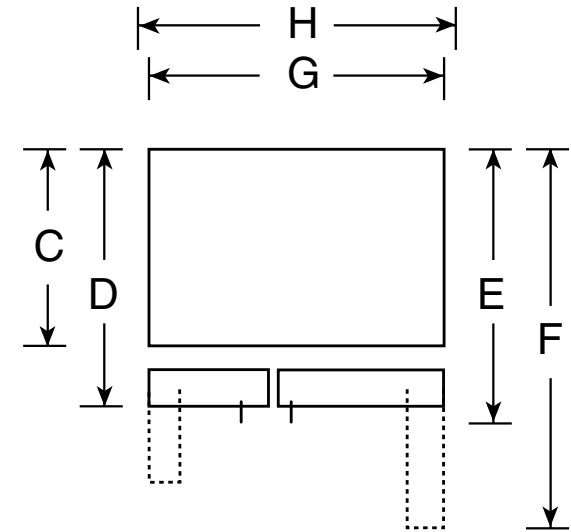
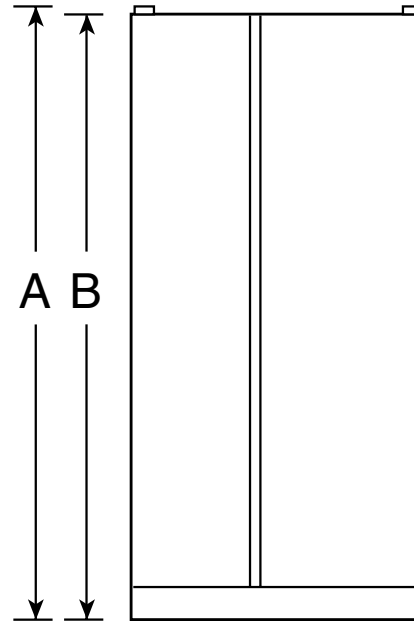


# CSHS5UGX

## GE Café 25.4 Cu. Ft. Side-By-Side Refrigerator with Dispenser

### Dimensions and Installation Information (in inches)

Overall Dimensions	Height to top of hinge (in.) <b>A</b>	<b>69-5/8</b>
	Height to top of case (in.) <b>B</b>	<b>68-3/4</b>
	Case depth without door (in.) <b>C†</b>	<b>28</b>
	Case depth less door handle (in.) <b>D†</b>	<b>32-1/4</b>
	Case depth with door handle (in.) <b>E†</b>	<b>34-3/4</b>
	Depth with fresh food door open 90° (in.) <b>F†</b>	<b>50-1/8</b>
	Width (in.) <b>G</b>	<b>35-3/4</b>
	Width with door open 90° inc. door handle (in.) <b>H</b>	<b>41-3/4</b>
Air Clearances	Each side (in.)	<b>1/8</b>
	Top (in.)	<b>1</b>
	Back (in.)	<b>1/2</b>



Top View

†Water hook-up fits in back air clearance when calculating installation depth.

If installed against a wall, allow clearance of 14-3/16" on freezer side to remove bin.

Clearance required to remove fresh food full-size pan without disassembling is 18-15/16".

Allow additional space for any necessary leveling adjustments.

For answers to your Monogram,<sup>®</sup> GE Profile<sup>™</sup> or GE<sup>®</sup> appliance questions, visit our website at [ge.com](http://ge.com) or call GE Answer Center<sup>®</sup> service, 800.626.2000.



imagination at work



Listed by  
Underwriters  
Laboratories



As an ENERGY STAR<sup>®</sup> partner, GE has determined that this product meets the ENERGY STAR guidelines for energy efficiency.

Specification Revised 4/08

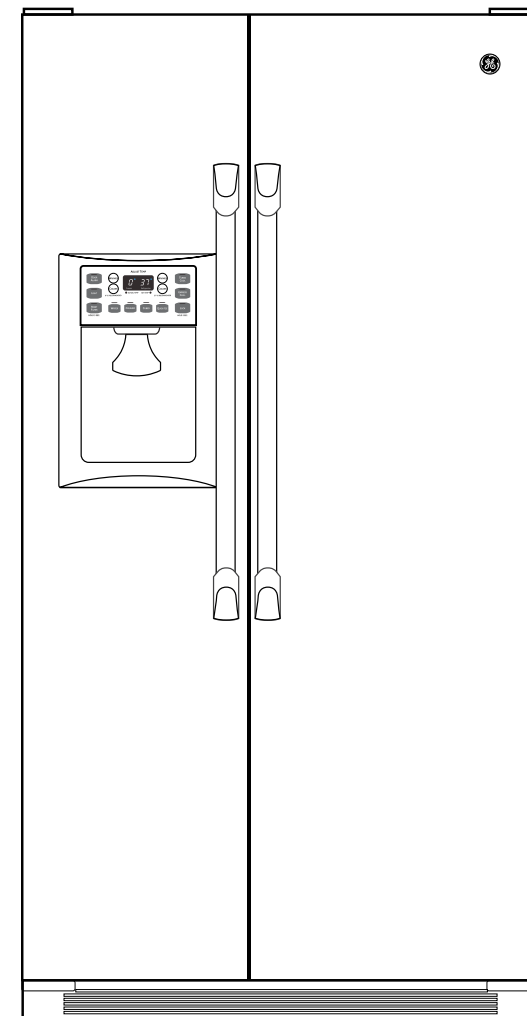
310194

# CSHS5UGX

## GE Café 25.4 Cu. Ft. Side-By-Side Refrigerator with Dispenser

### Features and Benefits

- Stainless Steel - Provides stainless steel doors and side panels for a truly dramatic look
- ClimateKeeper™ Temperature Management System - Best Temperature Management System You Can Buy
- Integrated Dispenser with LED Lighting & UltraFlow100 - Illuminates the dispenser and pours up to 100 ounces of water per minute
- ExpressChill™ with 1 setting - Chills beverages quickly with easy one-button selection of 45 minutes
- Slide 'n Store™ Full-Extension Freezer Baskets - Extends 12" to 16" beyond the cabinet, providing easy loading and unloading
- Quick Ice™ Option - Makes ice up to 50% faster than normal settings-ideal for entertaining
- TurboCool™ Setting - Cools the refrigerator quickly after frequent door openings
- Integrated Ice™ System - Frees up valuable freezer space; It tilts down, providing easy access to bulk ice
- Tilt-Out Freezer Door Bins - Move forward for convenient access
- Integrated Shelf Support System - Provides strong, yet flexible support
- Adjustable ClearLook™ Door Bins - Hold gallon-size containers with style and ease
- In-the-Door Beverage Rack - Conveniently located inside the refrigerator door to increase flexibility and to free up valuable shelf space
- Adjustable Slide-Out, Spillproof Glass Shelves - Raised edges help contain spills and slide-out shelves make clean up quick and easy
- GE Water Filtration System - Delivers clean great-tasting water and ice through the LightTouch! Dispenser
- Model CSHS5UGXSS - Stainless steel



imagination at work



As an ENERGY STAR® partner, GE has determined that this product meets the ENERGY STAR guidelines for energy efficiency.

Specification Revised 4/08

310194

## Free Manuals Download Website

<http://myh66.com>

<http://usermanuals.us>

<http://www.somanuals.com>

<http://www.4manuals.cc>

<http://www.manual-lib.com>

<http://www.404manual.com>

<http://www.luxmanual.com>

<http://aubethermostatmanual.com>

Golf course search by state

<http://golfingnear.com>

Email search by domain

<http://emailbydomain.com>

Auto manuals search

<http://auto.somanuals.com>

TV manuals search

<http://tv.somanuals.com>