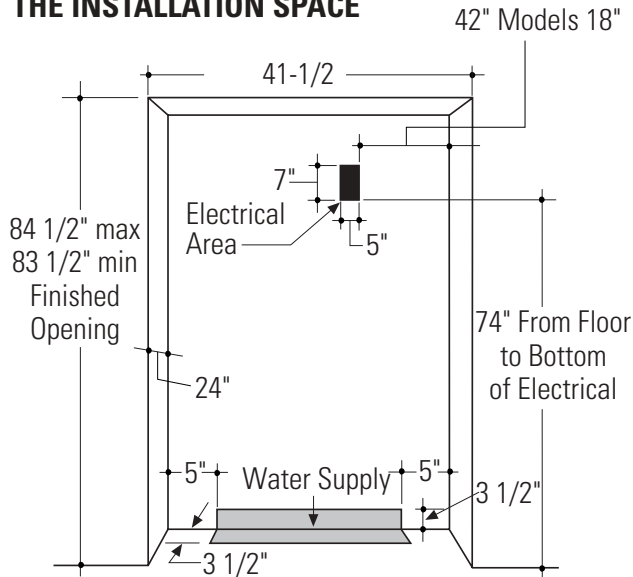




Monogram™

ZISW420DM – GE Monogram 42" Built-In Refrigerator with Dispenser and Water Filter

THE INSTALLATION SPACE



Water And Electrical Locations

The opening must be prepared with the electrical and water supply located as shown.

The cutout depth must be 24".

Designed for industry standard flush installation. The refrigerator will project forward, slightly beyond adjacent cabinetry, depending on your installation.

The cutout depth beneath a soffit:

When installed beneath a soffit, the soffit cannot exceed the 24" installation depth shown. The top case trim overlaps the bottom of the soffit.

Frameless cabinets:

The case trim overlaps cabinets at the top and sides. Therefore, frameless cabinets may require filler strips to prevent interference with cabinet door swing. The opening must allow for filler strips.

Additional Specifications

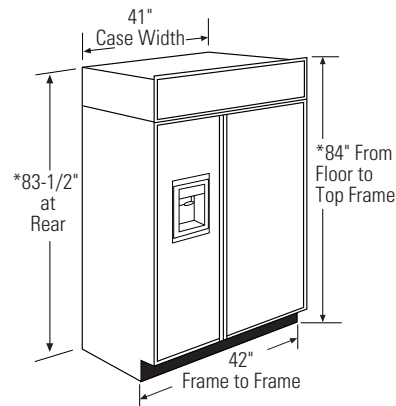
- A 115 volt 60Hz., 15 or 20 amp power supply is required. An individual properly grounded branch circuit or circuit breaker is recommended. Install a properly grounded 3-prong electrical receptacle recessed into the back wall. Electrical must be located on rear wall as shown.

Note: GFI (ground fault interrupter) is not recommended.

- Water line can enter the opening through the floor or back wall. The water line should be 1/4" O.D. copper tubing between the cold water line and water connection location, long enough to extend to the front of the refrigerator. Installation of an easily accessible shut off valve in the water line is recommended.

Specification Revised 8/03

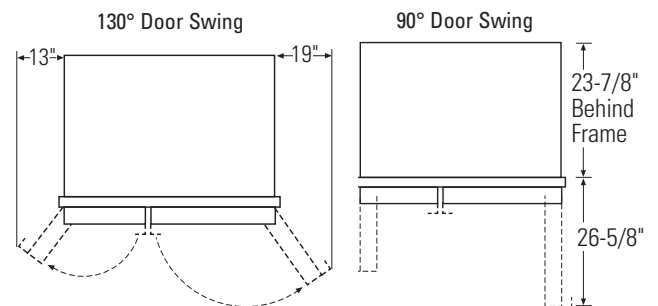
110176



*Shipping height. The refrigerator can be adjusted to fit into a cutout that is 83-1/2" min. to 84-1/2" max. height. Note that the top case trim at the front is 1/2" higher and will overlap upper cabinetry or soffit. Use leveling legs and wheels for height adjustment.

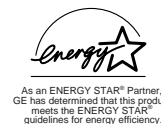
Product Clearances

These refrigerators are equipped with a 2 position door stop. The factory set 130° door swing can be adjusted to 90° if clearance to adjacent cabinets or walls is restricted.



Allow minimum clearances for freezer door and fresh food door for a full 130° door swing and to allow for pan removal.

4" minimum clearance is required when door swing is adjusted to 90°. If the 90° door stop position is used, pan access is maintained, but pan removal is restricted.



As an ENERGY STAR® Partner, GE has determined that this product meets the ENERGY STAR® guidelines for energy efficiency.

For answers to your Monogram®, GE Profile™ or GE appliance questions, visit our website at GEAppliances.com or call GE Answer Center® service, 800.626.2000.



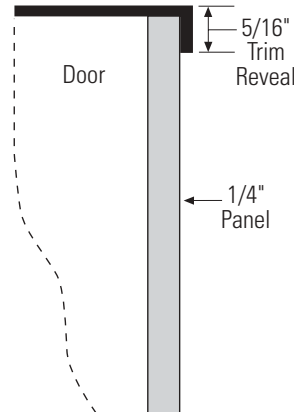
Monogram™

ZISW420DM – GE Monogram 42" Built-In Refrigerator with Dispenser and Water Filter

1/4" FRAMED PANEL DIMENSIONS

If you choose to install framed panels, they must be cut to the dimensions shown. The panels will slide into the frame on the door and grille.

If the custom panel is less than 1/4" thick and it fits loosely in the door frame it can be backed up with a piece of filler material or foam tape to improve the fit.

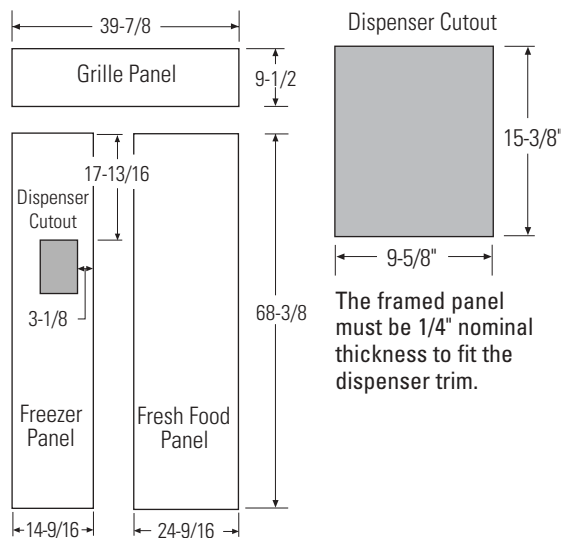


IMPORTANT NOTE: Maximum weight for fresh food panel is 50 pounds and 30 pounds for freezer panel.

IMPORTANT NOTE – Dispenser Models

The refrigerator is supplied with two dispenser trims, one for framed panels and one for overlay panels.

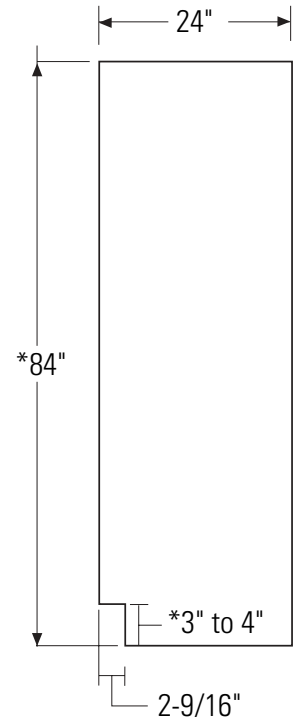
- If the panel is less than 0.250" thick a noticeable gap may be created around the dispenser trim. Foam tape may be applied on the door to improve the fit.
- If the panel is more than 0.250" thick, the dispenser trim cannot be secured to the door.



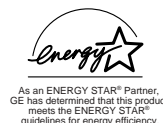
SIDE PANELS

Side panels must be used whenever the sides of the refrigerator will be exposed. The 1/4" side panels will slip into the side case trim. Order the side panels from the cabinet manufacturer.

* Depending on installation height.



Listed by Underwriters Laboratories



As an ENERGY STAR® Partner, GE has determined that this product meets the ENERGY STAR® guidelines for energy efficiency.

For answers to your Monogram® GE Profile™ or GE appliance questions, visit our website at GEAppliances.com or call GE Answer Center® service, 800.626.2000.



Monogram™

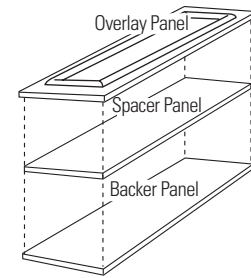
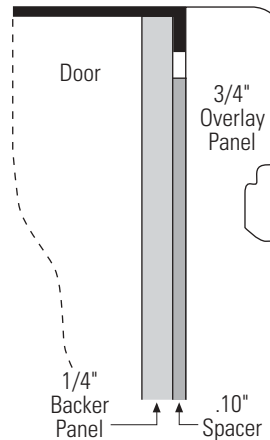
ZISW420DM – GE Monogram 42" Built-In Refrigerator with Dispenser and Water Filter

3/4" OVERLAY PANEL DIMENSIONS

For a more custom appearance, overlay panels may be installed on trimmed models. The overlay panel must be secured to a 1/4" thick backer panel which slides into the trim. A spacer panel 0.10" thick must be placed between the overlay and backer panel.

Assemble the panels with glue and screws.

- Center the spacer panel on the backer panel, left to right and top to bottom. Secure the panels with glue.
- Center the spacer and backer panel on the overlay panel and secure with glue and screws. Screws must be countersunk into the backer panel.



NOTE: Left-to-right offset is not always equal to top-to-bottom offset.

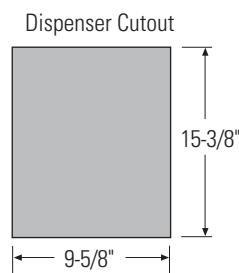
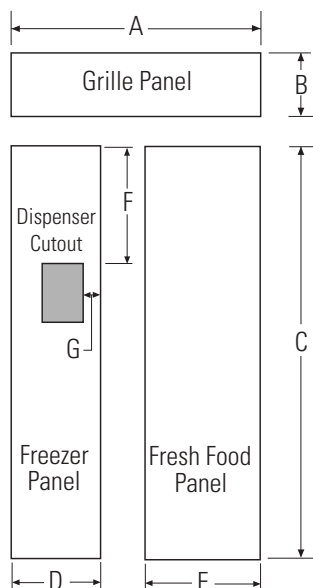
$$.250" + .10" + .750" = 1.100" \text{ Total Panel Thickness}$$

IMPORTANT NOTE – Dispenser Models

The refrigerator is supplied with two dispenser trims, one for framed panels and one for overlay panels. The overlay dispenser trim is designed to fit a total panel thickness of 1.100".

- If the panel is less than 1.100" a noticeable gap may be created around the dispenser trim.
- If the panel is more than 1.100" the dispenser trim cannot be secured to the door.

- The overlay panel must be constructed according to the specifications shown to achieve the correct total thickness.
- Alternative panel construction methods such as securing a 3/4" panel to a 1/4" backer panel cannot be used. Another method, routing a 3/4" thick panel on all sides cannot be used. These methods will not result in the required 1.100" panel thickness.



*Cut the dispenser opening after the backer, spacer and overlay panels have been assembled.

IMPORTANT NOTE: Maximum total weight for assembled fresh food panel is 50 pounds and 30 pounds for freezer panel.

	A	B	C	D	E	*Dispenser Cutout Position	
						F	G
1/4" Backer Panel	39-7/8	9-1/2	68-3/8	14-9/16	24-9/16		
.10" Spacer Panel	39	8-5/8	67	13-1/4	23-1/4		
3/4" Overlay Panel	40-1/8	9-3/4	68-5/8	14-13/16	24-13/16	17-15/16	3-1/8



Listed by
Underwriters
Laboratories



As an ENERGY STAR® Partner,
GE has determined that this product
meets the ENERGY STAR®
guidelines for energy efficiency.

For answers to your Monogram®, GE Profile™ or GE® appliance questions, visit our website at GEAppliances.com or call GE Answer Center® service, 800.626.2000.

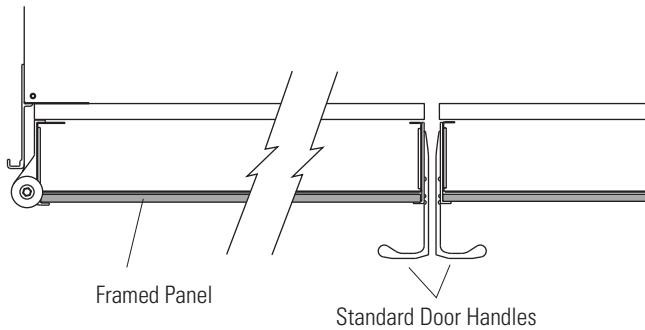


Monogram™

ZISW420DM – GE Monogram 42" Built-In Refrigerator with Dispenser and Water Filter

Framed panels

You may install 1/4" thick custom panels from your cabinet manufacturer. The decorative panel slides into the factory installed trim. Or, order black, white and stainless steel accessory panels from your Monogram dealer.



Standard supplied handles shown in 1/4" panel position.

Door Handles

The standard supplied handles can be adjusted to accommodate both framed or overlay panels. Custom handles of your choice, supplied by your cabinet maker can also be installed. If desired, you may order ZKHSS2 Monogram stainless steel tubular handle kit.

Optional Accessory Kits

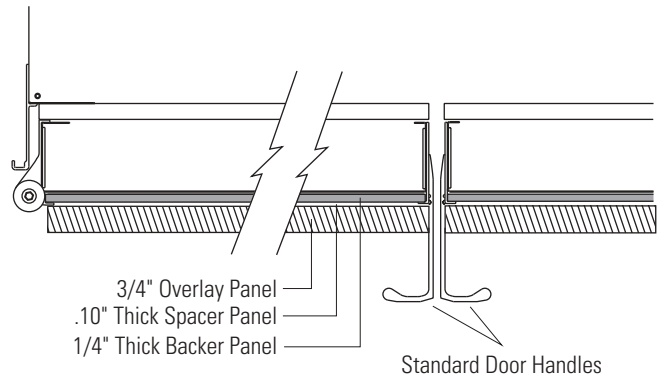
ZKHSS2: Monogram Tubular Stainless Steel handles designed to fit overlay panels.

Accessory Panels

White, black and stainless steel accessory panels are available from your Monogram dealer. Panels are cut to size and ready to install.

Overlay panels

You may also choose to install custom overlay panels from your cabinet manufacturer. This design provides a seamless appearance which integrates smoothly with surrounding cabinetry.



Standard supplied handles shown in 3/4" overlay panel position.

Side Panels

Side panels must be used whenever the sides of the refrigerator will be exposed.

Models	White Acrylic	Black Acrylic	Stainless Steel
ZISW480D	ZPW480D		ZPS480D
ZISB480D		ZPB480D	ZPS480D
ZIS480N	ZPW480N	ZPB480N	ZPS480N
ZISW420D	ZPW420D		ZPS420D
ZISB420D		ZPB420D	ZPS420D
ZIS420N	ZPW420N	ZPB420N	ZPS420N
ZISW360D	ZPW360D		ZPS360D
ZISB360D		ZPB360D	ZPS360D
ZIS360N	ZPW360N	ZPB360N	ZPS360N



Listed by Underwriters Laboratories



As an ENERGY STAR® Partner, GE has determined that this product meets the ENERGY STAR® guidelines for energy efficiency.

For answers to your Monogram,® GE Profile™ or GE® appliance questions, visit our website at GEAppliances.com or call GE Answer Center® service, 800.626.2000.



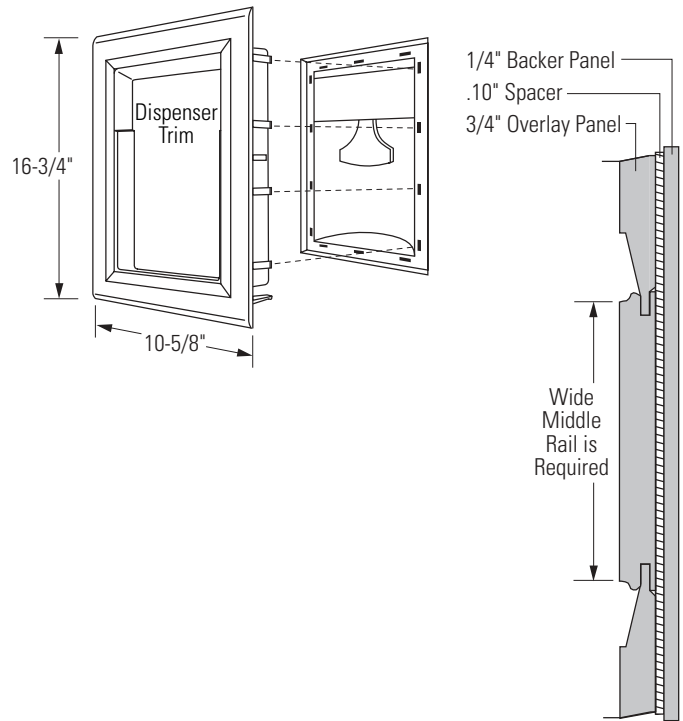
Monogram™

ZISW420DM – GE Monogram 42" Built-In Refrigerator with Dispenser and Water Filter

DISPENSER MODELS: RAISED OVERLAY PANEL DESIGN

When a raised panel design is to be used, a custom wide middle rail is required to accept the dispenser trim.

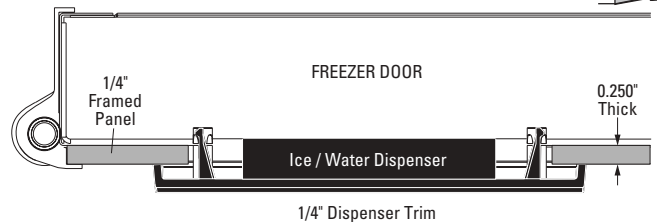
- The middle rail must be wide enough to allow for the dispenser trim to overlap the opening.
- The middle rail must be 1.100" total thickness to accept the dispenser trim.



DISPENSER TRIM FIT EXAMPLES: (NOT TO SCALE)

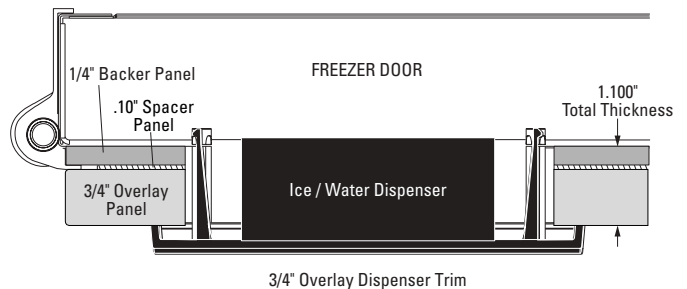
1/4" FRAMED PANEL

- The dispenser trim fits over the custom panel and snaps into the freezer door.
- The clips will not engage the door if the panel is more than 0.250" thick.
- If the panel is less than 0.250" thick, a noticeable gap may be created around the dispenser trim.



3/4" OVERLAY PANEL

- The dispenser trim fits over the custom panel and snaps into the freezer door.
- The clips will not engage the door if the panel is more than 1.100" thick.
- If the panel is less than 1.100" thick, a noticeable gap may be created around the dispenser trim.



Listed by
Underwriters
Laboratories



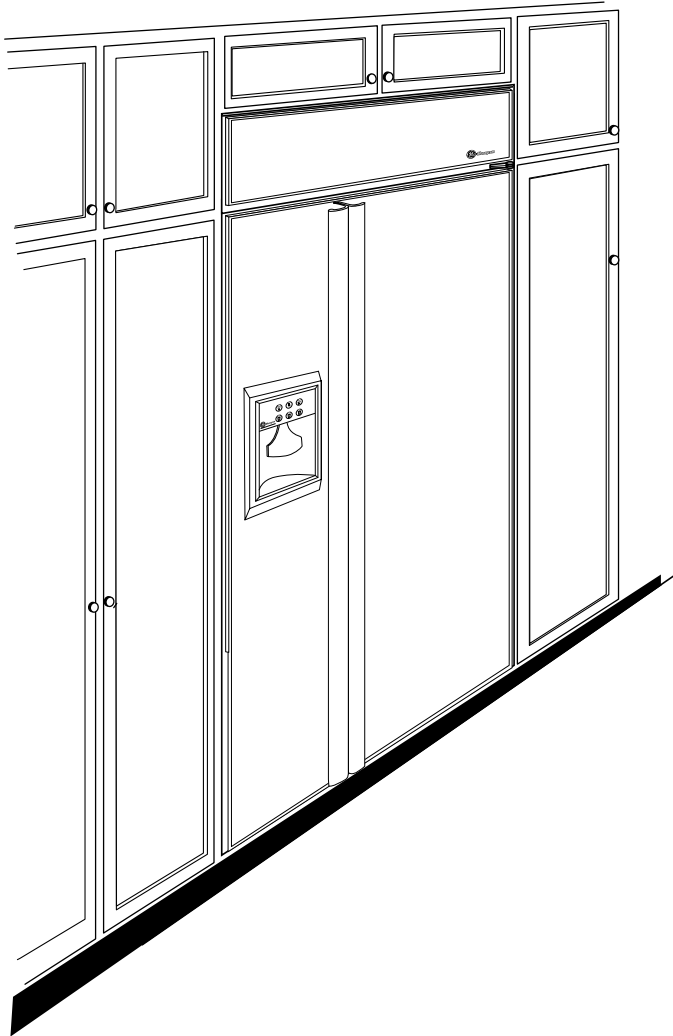
As an ENERGY STAR® Partner,
GE has determined that this product
meets the ENERGY STAR®
guidelines for energy efficiency.

For answers to your Monogram®, GE Profile™ or
GE® appliance questions, visit our website at
GEAppliances.com or call
GE Answer Center® service, 800.626.2000.



Monogram™

ZISW420DM – GE Monogram 42" Built-In Refrigerator with Dispenser and Water Filter



Features and Benefits

- ENERGY STAR® Qualified
- 26.1 cu. ft. Capacity (Fresh Food 16.3 cu. ft./ Freezer 9.8 cu. ft.)
- Exterior Proximity Sensor Dispenser with Cubes, Crushed Ice and Chilled Water
- GE SmartWater™ Filtration System
- Climate Control Drawer with Express Chill, Express Thaw and Select Temp
- Sealed Adjustable Humidity Produce Pans with Easy Access Lid and Full Extension Slides
- Sealed High Humidity Produce Pan with Full Extension Slides
- Adjustable Sealed Deli Pan with Full Extension Slides
- 3 Adjustable, 1 Fixed Spill-Proof Glass Fresh Food Shelves
- Gallon Door Storage
- 4 Adjustable Door Bins
- 2 Sealed Dairy Compartments
- Wine Caddy
- Glass-Covered Butter Dish
- Freezer Multi-Shelf Halogen Light Tower
- 4 Adjustable Wire Freezer Shelves
- 2 Utility Baskets with Full Extension Slides
- 3 Adjustable Freezer Door Bins
- Slide-Out Can Rack
- Automatic Icemaker
- Removable Ice Storage Bin
- Model ZISW420DM – White Dispenser
- Model ZISB420DM – Black Dispenser

Free Manuals Download Website

<http://myh66.com>

<http://usermanuals.us>

<http://www.somanuals.com>

<http://www.4manuals.cc>

<http://www.manual-lib.com>

<http://www.404manual.com>

<http://www.luxmanual.com>

<http://aubethermostatmanual.com>

Golf course search by state

<http://golfingnear.com>

Email search by domain

<http://emailbydomain.com>

Auto manuals search

<http://auto.somanuals.com>

TV manuals search

<http://tv.somanuals.com>