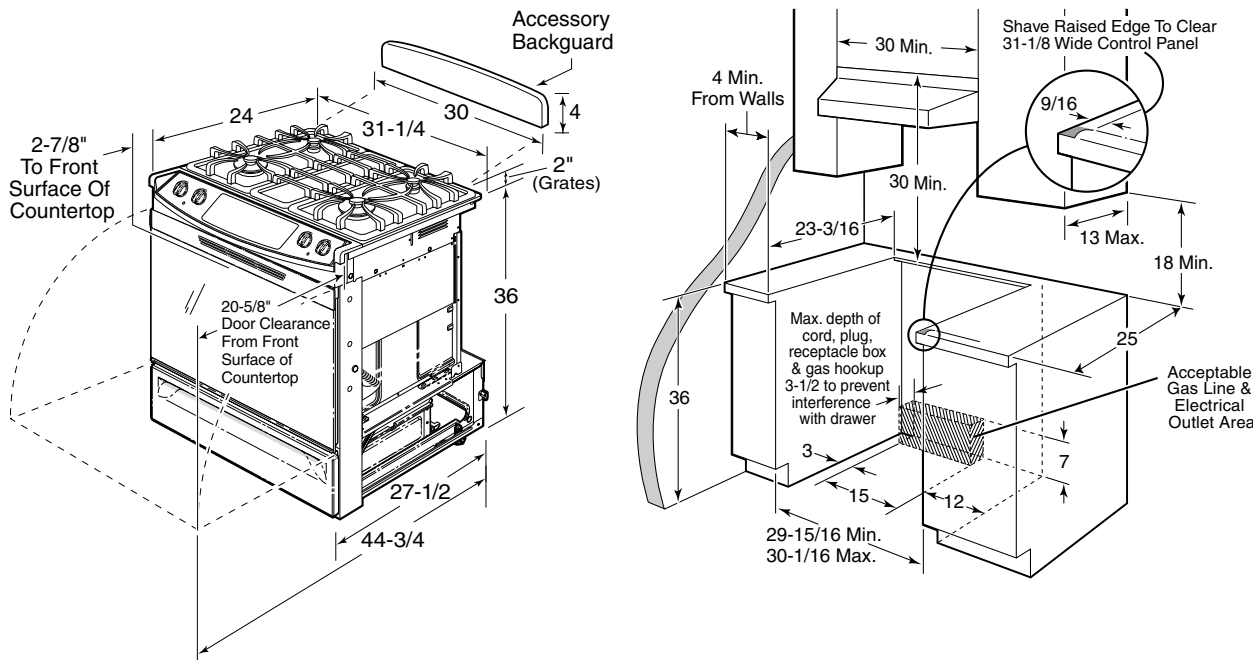




Profile™

JGSP48SH – GE Profile™ 30" Slide-In Gas Range

Dimensions (in inches) and Installation Information



You must use the rear filler strip kit shipped with the range or the optional accessory backguard (JXS31, JXS32, JXS33, JXS34) when installing these ranges.

Note: Cabinets installed adjacent to slide-in ranges must have an adhesion spec of at least 194°F temperature rating.

Optional Kits for Slide-In Gas Ranges:
(Available at additional cost)

Lower/Side Trim Kits

- JXS52BB—Lower Trim Kit (Black)
- JXS53WW—Lower Trim Kit (White)
- JXS55CC—Lower Trim Kit (Bisque)

Accessory Backguards

- JXS31—White Accessory Backguard
- JXS32—Brushed-Chrome Accessory Backguard
- JXS34—Black Accessory Backguard
- JXS35—Bisque Accessory Backguard

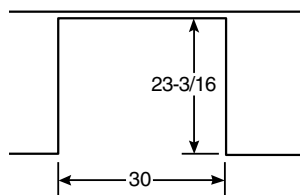
Endcap Kit

JXS40—Endcap kit to accommodate replacement where countertop may already be notched.

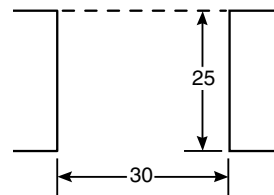
Installation Information: Before installing, consult installation instructions packed with product for current dimensional data.

Counter Cutout Dimensions (in inches)

If you are NOT using the optional Filler or Backguard:



If you are using the optional Filler or Backguard:



Specification Created 4/04

230126



All GE ranges are equipped with an Anti-Tip device. The installation of this device is an important, required step in the installation of the range.

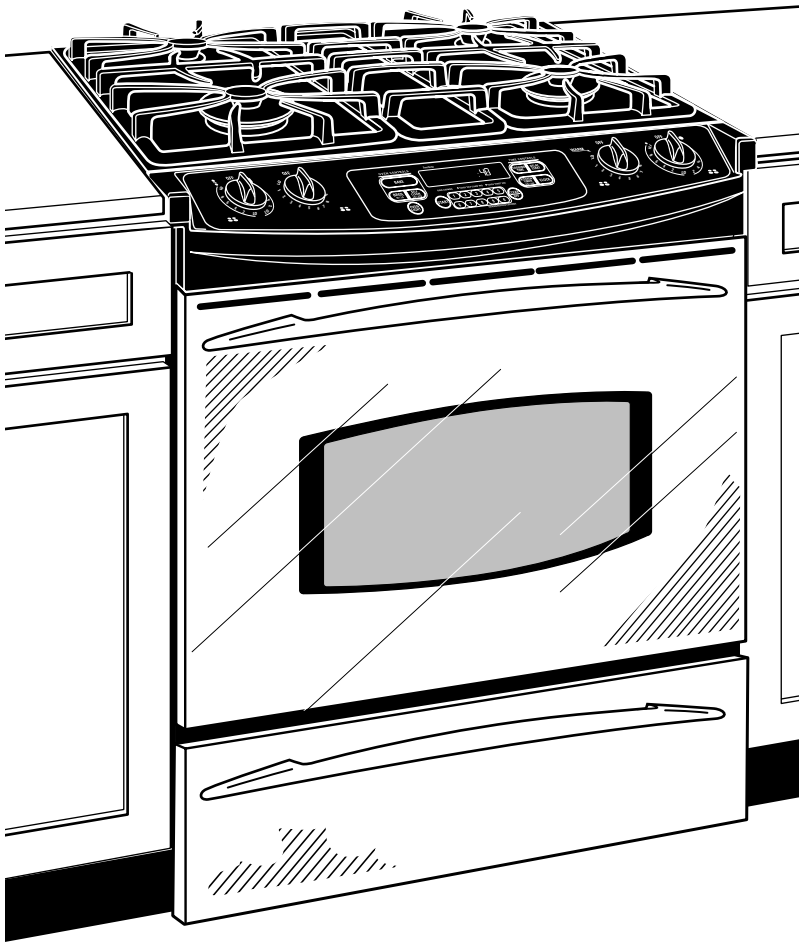


For answers to your Monogram,® GE Profile™ or GE appliance questions, visit our website at GEAppliances.com or call GE Answer Center® service, 800.626.2000.



Profile™

JGSP48SH – GE Profile™ 30" Slide-In Gas Range



Features and Benefits

- Self-clean oven – Conveniently cleans the oven cavity without the need for scrubbing.
- Precise simmer burner – Offers a low setting of 600 BTUs, ensuring more temperature control for simmering.
- High output burner – Provides a powerful 11,000 BTU burner output for efficient heat-up and sautéing.
- Super large oven capacity – Provides the impressively large oven interior for cooking more dishes and large meals at one time.
- Electronic oven controls – One-touch electronic pads are easy-to-use and allow for simple oven operation.
- Continuous grates – Interlocking grates provide a flat, sturdy surface allowing easy movement of pans between burners.
- Ceramic glass cooktop – A smooth cooktop surface makes cleaning quick and easy.
- Certified Sabbath mode – Prepared foods can stay warm in accordance with Kosher law.
- Model JGSP48SHSS – Stainless steel

Free Manuals Download Website

<http://myh66.com>

<http://usermanuals.us>

<http://www.somanuals.com>

<http://www.4manuals.cc>

<http://www.manual-lib.com>

<http://www.404manual.com>

<http://www.luxmanual.com>

<http://aubethermostatmanual.com>

Golf course search by state

<http://golfingnear.com>

Email search by domain

<http://emailbydomain.com>

Auto manuals search

<http://auto.somanuals.com>

TV manuals search

<http://tv.somanuals.com>