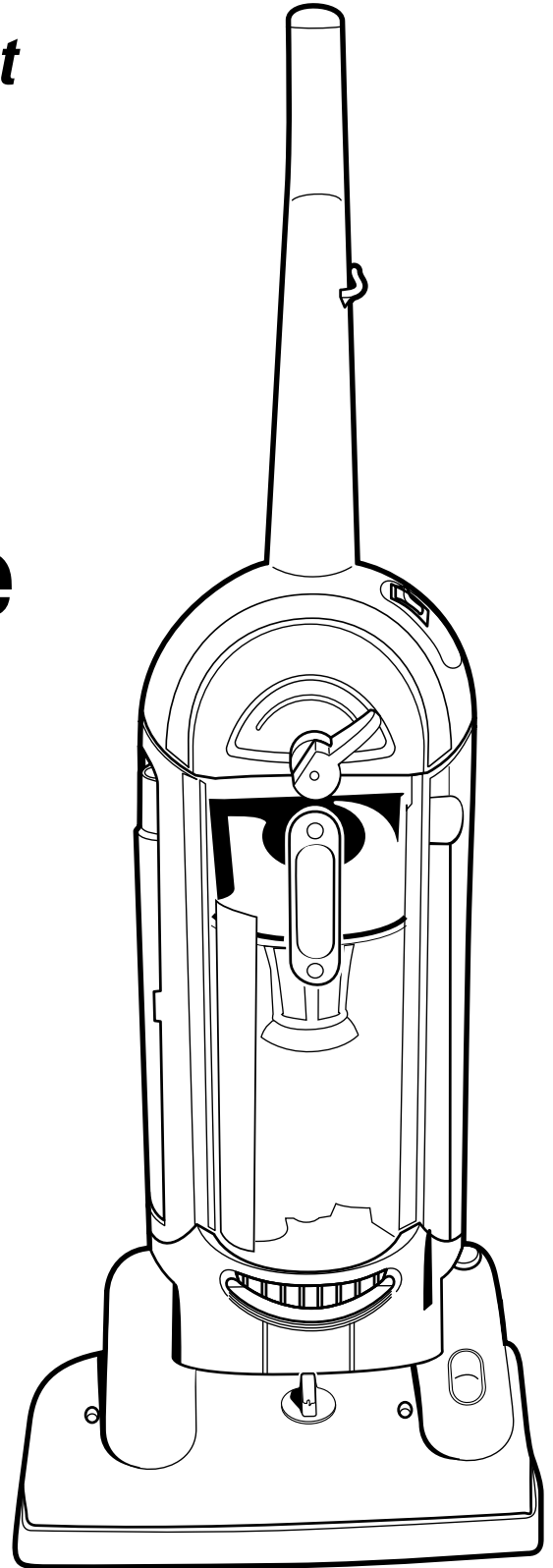




Bagless 12 Amp Upright 15" Cleaning Path

Household Type

Owner's Guide Model 106585



Important Safeguards	2	Brush Roll Belt	10-11
Service Information	3	Cyclonic Dust Cup	11-12
Assembly	4-5	Filters	12-13
Use	6-7	Light Bulb	14
Thermal Cut Off	3 & 7	Problem Solving	15
Accessories	8	Warranty	17
Hose Blockage	9	Customer Order Form	19
Brush Roll	10		

For Customer Assistance Please Call: 1-877-556-0973

Vacuum Cleaner Safety

IMPORTANT SAFEGUARDS

When using an electrical appliance, basic precautions should always be followed, including the following:

READ ALL INSTRUCTIONS BEFORE USING THIS VACUUM CLEANER.

WARNING

To reduce the risk of fire, electric shock, or injury:

- Do not use outdoors or on wet surfaces.
- **Do not leave vacuum cleaner when plugged in.** Turn off the switch and unplug the electrical cord when not in use and before servicing.
- Do not allow to be used as a toy. Close attention is necessary when used by or near children.
- Use only as described in this manual. Use only manufacturer's recommended attachments.
- Do not use with damaged cord or plug. If vacuum cleaner is not working as it should, has been dropped, damaged, left outdoors, or dropped into water, have unit serviced before using.
- Do not pull or carry by cord, use cord as a handle, close a door on cord, or pull cord around sharp edges or corners. Do not run vacuum cleaner over cord. Keep cord away from heated surfaces.
- Do not use extension cords or outlets with inadequate current carrying capacity.
- Turn off all controls before unplugging.
- Do not unplug by pulling on cord. To unplug, grasp the plug, not the cord.
- Do not handle plug or vacuum cleaner with wet hands.
- Do not put any object into openings. Do not use with any opening blocked; keep free of dust, lint, hair, and anything that may reduce airflow.
- This vacuum cleaner creates suction and contains a revolving brush roll. Keep hair, loose clothing, fingers, and all parts of body away from openings and moving parts.
- Do not place cleaner on furniture or stairs as the brush roll may cause damage. Place cleaner on floor with the handle in storage position while using attachments.
- Do not pick up anything that is burning or smoking, such as cigarettes, matches, or hot ashes.
- Belt pulleys can become hot during normal use. To prevent burns, avoid touching the belt pulley when servicing the drive belt.
- Use extra care when cleaning on stairs.
- Do not use to pick up flammable or combustible liquids such as gasoline, or use in areas where they may be present.
- Store your cleaner indoors in a cool, dry area.
- Keep your work area well lighted.
- Unplug electrical appliances before vacuuming them.

SAVE THESE INSTRUCTIONS

To reduce the risk of electric shock, this appliance has a polarized plug (one blade wider than the other). This plug will fit in a polarized outlet only one way. If the plug does not fit fully in the outlet, reverse the plug. If it still does not fit, contact a qualified electrician to install the proper outlet. Do not change the plug in any way.

Afin de réduire le risque de choc électrique, cet appareil est muni d'une fiche polarisée (une des lames est plus large). Cette fiche ne peut être insérée dans une prise polarisée que d'une seule façon. Si la fiche ne peut être insérée dans la prise, retourner la fiche. Si la fiche ne peut toujours pas être insérée dans la prise, faire installer une prise adéquate par un électricien qualifié. Ne pas modifier la fiche.

General Information

The cleaner is designed to pick up dirt and dust particles. Avoid picking up hard or sharp objects with the cleaner to prevent hose clogs.



DO NOT OIL the motor or the brush roll at any time. The bearings are permanently lubricated and sealed.

Customer Assistance

The instructions in this booklet serve as a guide to routine maintenance. For additional service information please call, 1-877-556-0973. **You should know the model, type and serial numbers when you call.**

Rating Plate

The model, type, and serial numbers are indicated on the rating plate located on the underneath side of the cleaner. For prompt and complete service information, always refer to these numbers when inquiring about service.

Model & Type _____

Serial No. _____

Thermal Cut Off

This vacuum cleaner has a special thermostat that protects the cleaner in case of motor overheating. If the cleaner suddenly shuts off, turn the switch off and unplug the cleaner. Check the cleaner for a possible source of overheating such as a blocked hose or clogged filters. If these conditions are found, fix them and wait at least 30 minutes before attempting to use the cleaner. After the 30 minute period, plug the cleaner back in and turn on the switch. If the cleaner still does not run, then call 1-877-556-0973 for customer assistance.

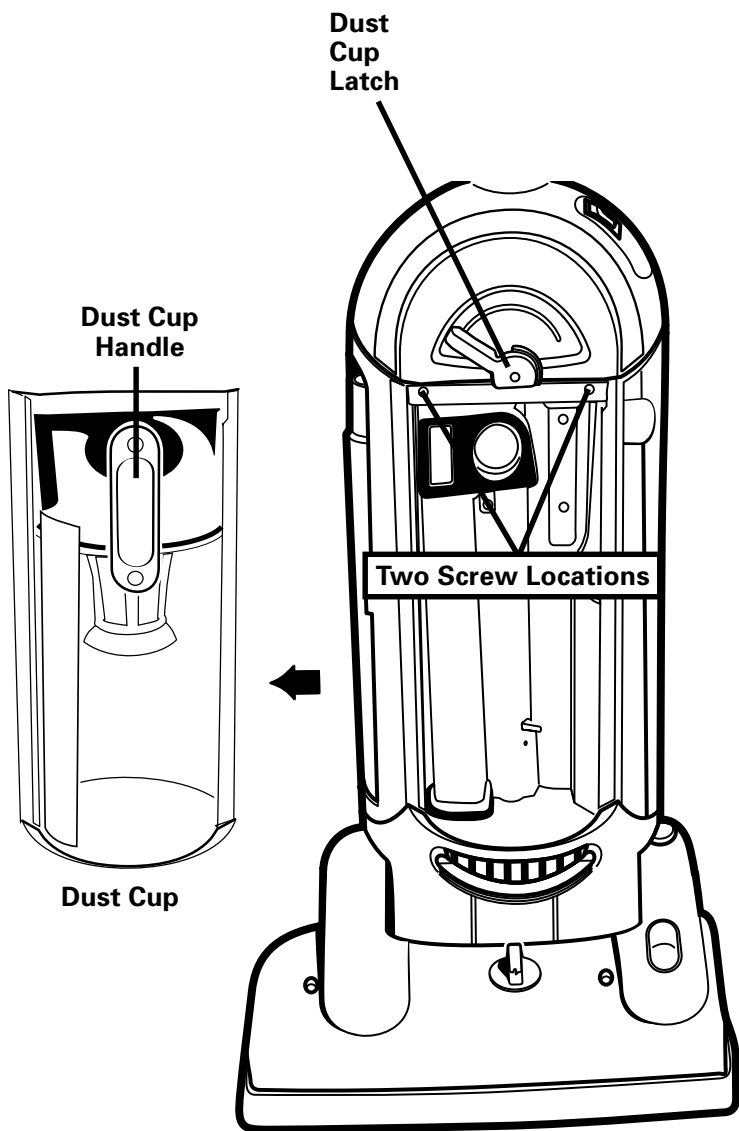
How To Assemble

CAUTION: Assemble the cleaner completely before plugging into an electrical outlet.

CAUTION: Moving parts, stay clear of brush roll when plugging in.

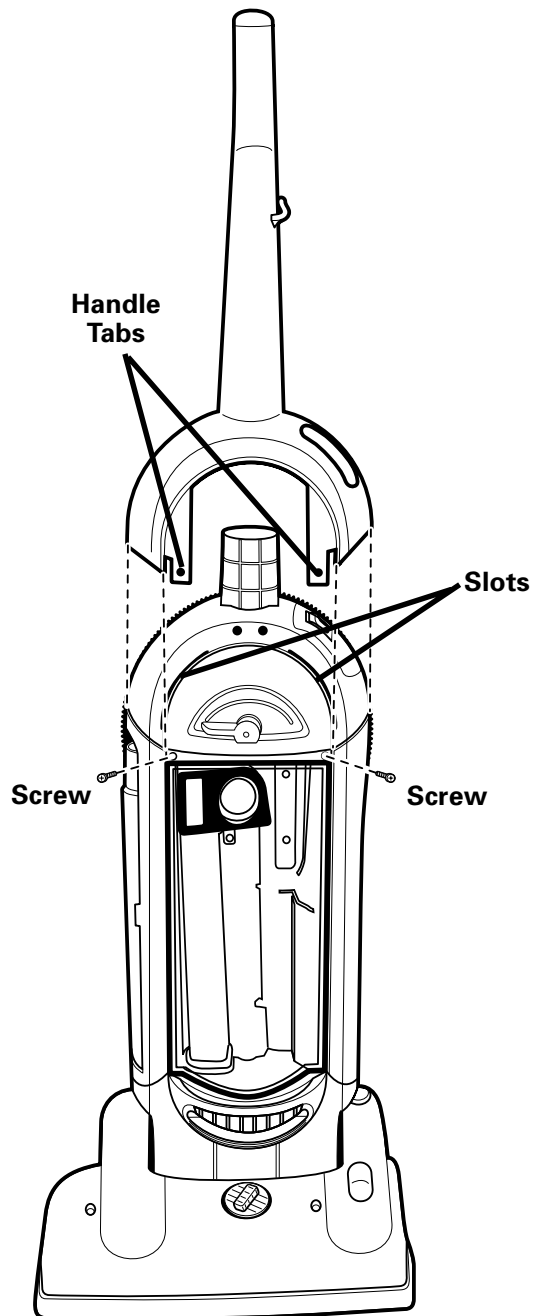
NOTE: Features may vary by model yet all parts assemble the same.

Step A Remove Dust Cup



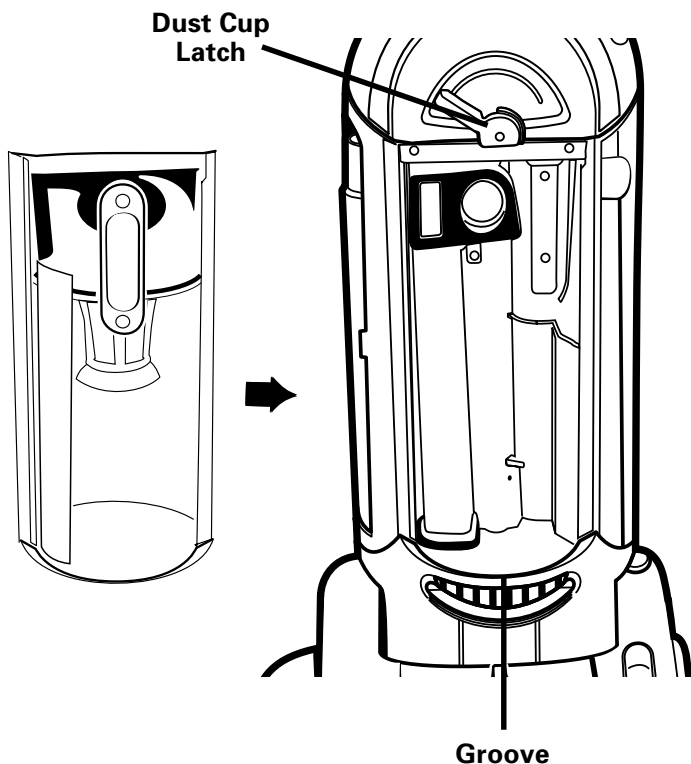
1. Remove dust cup from unit to expose the two screw installation locations. Release the dust cup by rotating the dust cup latch to the left. Pull out and up on the dust cup handle to remove from unit.

Step B Attach Handle



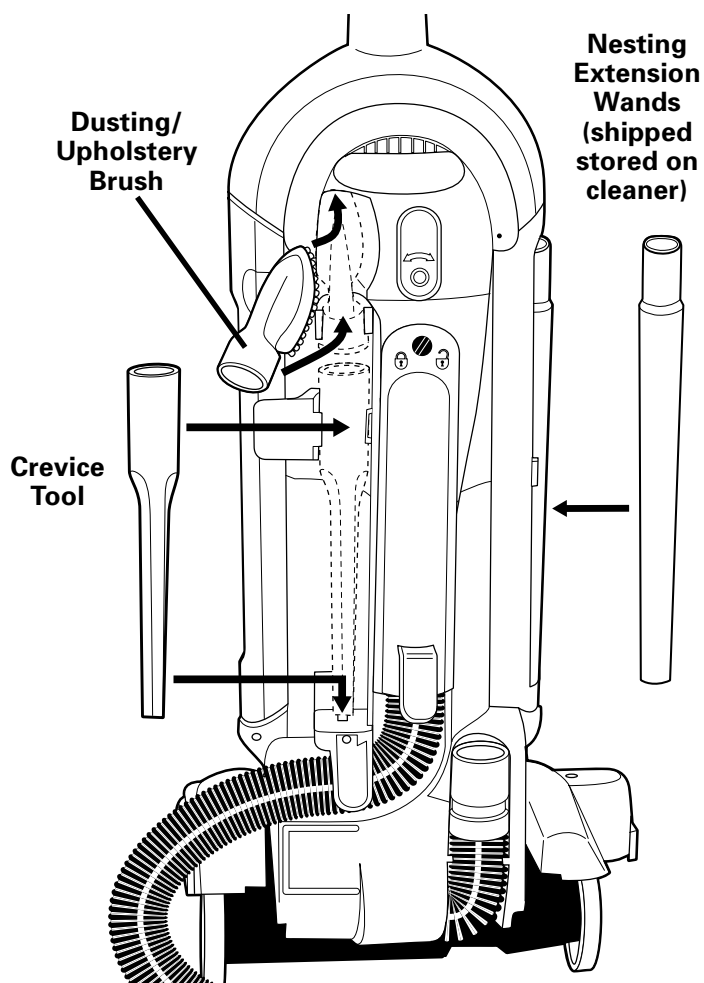
2. Position handle as above. Slide the handle down over the top of the unit, inserting handle tabs into slots on unit.
3. Find the two screws in the accessory bag included in the carton. To secure the handle on the unit, install the two screws.

Step C Replace Dust Cup

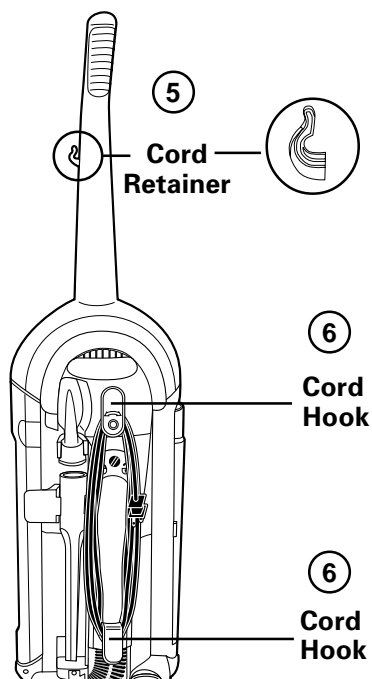


4. Replace dust cup by aligning front of the bottom of dust cup into groove on cleaner. Pivot dust cup up against cleaner and rotate the dust cup latch to the right to secure.

Step D Store Accessories



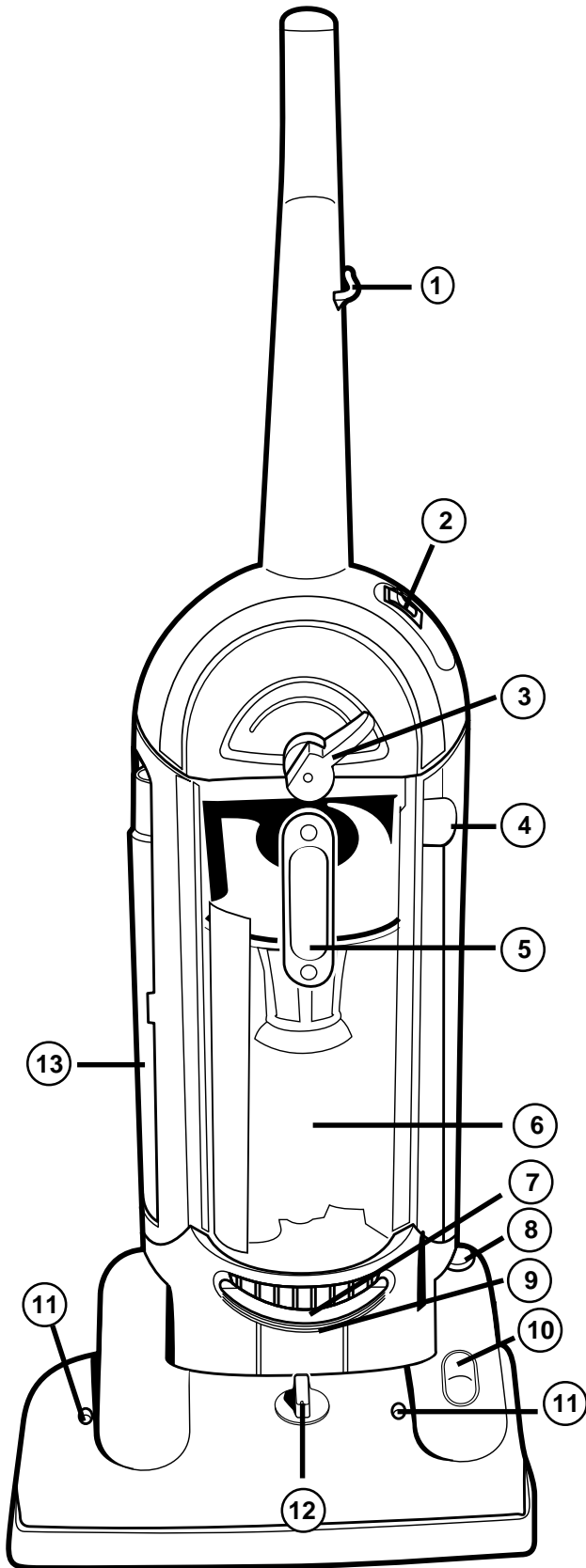
Step E Store Electrical Cord



5. You will find your cord retainer on the handle above the upper cord hook. Firmly push the electrical cord down into the cord retainer. This will place the cord out of the way the next time you vacuum.
6. Next wind the cord around the two cord hooks on the back of the cleaner.
7. Secure the plug to the cord to prevent unwinding.

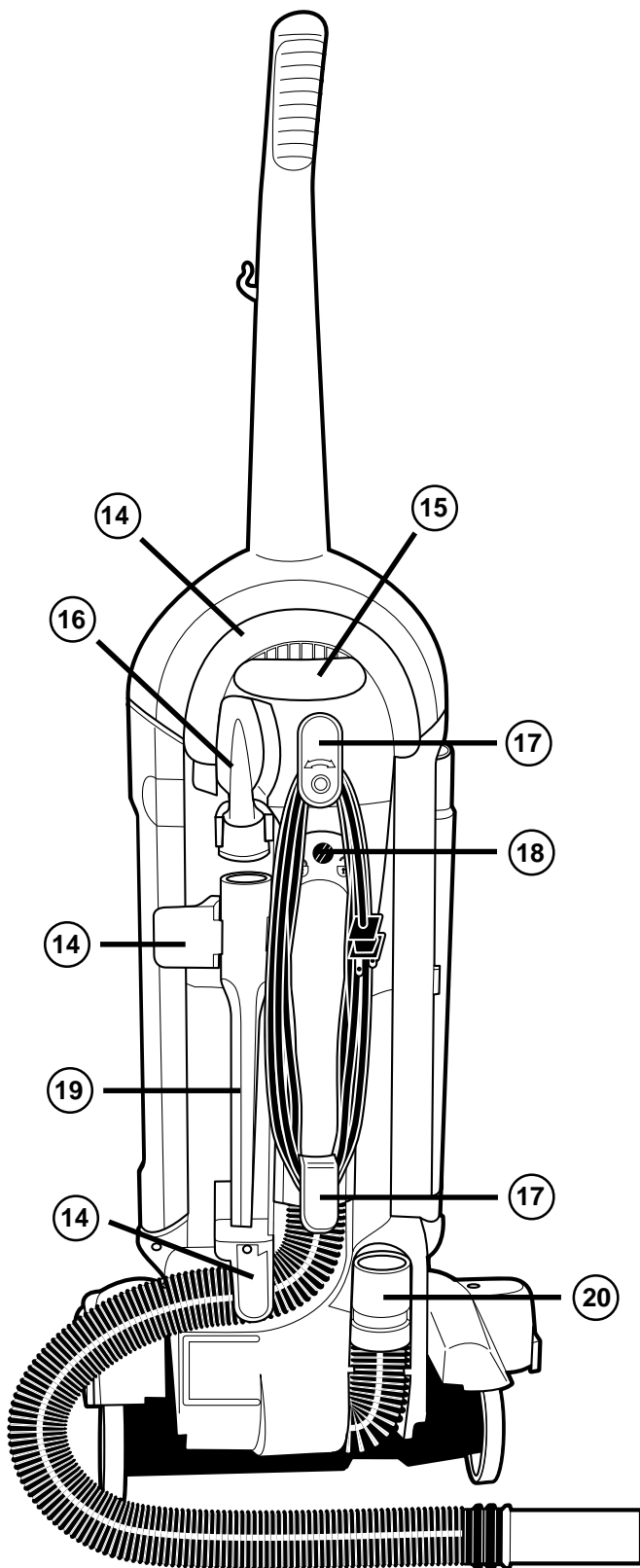
How To Use

CAUTION: Do not plug in cleaner until you understand all controls and features.



1. **Cord Retainer.** To use, push electrical cord down into cord retainer.
 2. **ON/OFF Switch.** International symbol **I** means On, International symbol **O** means Off.
 3. **Dust Cup Latch.** When dust cup latch is pointing to the left, the dust cup compartment is unlocked. When dust cup latch is pointing to the right the dust cup is locked in place. See the locked/unlocked symbols on the unit.
 4. **HEPA Filter Compartment.** To open, slide HEPA filter door up and pull away from unit. To close, place HEPA filter door at top of opening pressing against unit, slide down into place.
 5. **Dust Cup Handle.** Use the handle to remove and replace the dust cup in the dust cup compartment.
 6. **Dust Cup Compartment.** To open, turn dust cup latch (3) to the left pointing to unlock symbol, then grasp dust cup handle (5) and pull dust cup out and away from unit. To close, place the front of the bottom of the dust cup in groove at the bottom of dust cup compartment, rotating dust cup up and against unit. Then turn dust cup latch to the right pointing to the lock symbol.
 7. **Stair Handle.** To use when cleaning stairs.
 8. **Handle Release.** Step on handle release. Pull handle back to a comfortable position. Press handle again to lower handle further to clean under furniture.
 9. **Light Bulb Compartment.** To gain access to light bulb compartment remove the two screws in the lens.
 10. **Brush Roll Belt Window.** To check condition of belt watch to see if white dots on belt are moving through the window. This indicates the brush roll is turning.
 11. **Screws to Release Hood.** Remove these screws to release hood and give access to brush roll belt area.
 12. **Cleaner Height Setting.** The front of the cleaner has an adjustment that raises or lowers the cleaner base to match the type of floor surface. With the cleaner cord unplugged, set the adjustment to lowest setting for maximum carpet cleaning. If the cleaner is difficult to push, move adjustment to next highest setting until cleaner is comfortable to push. The brush roll must reach the carpet for effective cleaning. For ease in moving the adjustment knob, place handle in operating position and tilt cleaner back to remove weight from front wheels.
- WARNING:** Avoid injury. Keep loose clothing, hair, fingers, and all other parts of body away from any moving part (such as the revolving brush). Turn off the switch and unplug the cleaner before changing the cleaner height setting.
13. **Extension Wands.** Use these wands on the end of the hose for added cleaning reach.

How To Use (continued)



14. **Hose Retainers (3).** Place hose on retainers to store hose on unit.
15. **Carrying Handle.** Use this handle to carry unit from one place to another.
16. **Dusting/Upholstery Brush.** Store dusting brush here.
17. **Electrical Cord Hooks (2).** Wrap electrical cord around them to store electrical cord on unit. Top hook rotates down for quick release of the electrical cord. Rotate back up to store electrical cord.
18. **Clear Tube Quarter Turn Fastener.** Turn this fastener to the unlock position to remove the clear tube. To replace tube, place tube on the back of the unit and turn fastener to lock position.
19. **Crevice Tool.** Store crevice tool here.
20. **Hose Adapter.** Place the end of the hose into hose adapter for floor/carpet cleaning.

Thermal Cut Off

This cleaner has a special thermostat that protects the cleaner in case of motor overheating. If the cleaner suddenly turns off, follow this procedure:

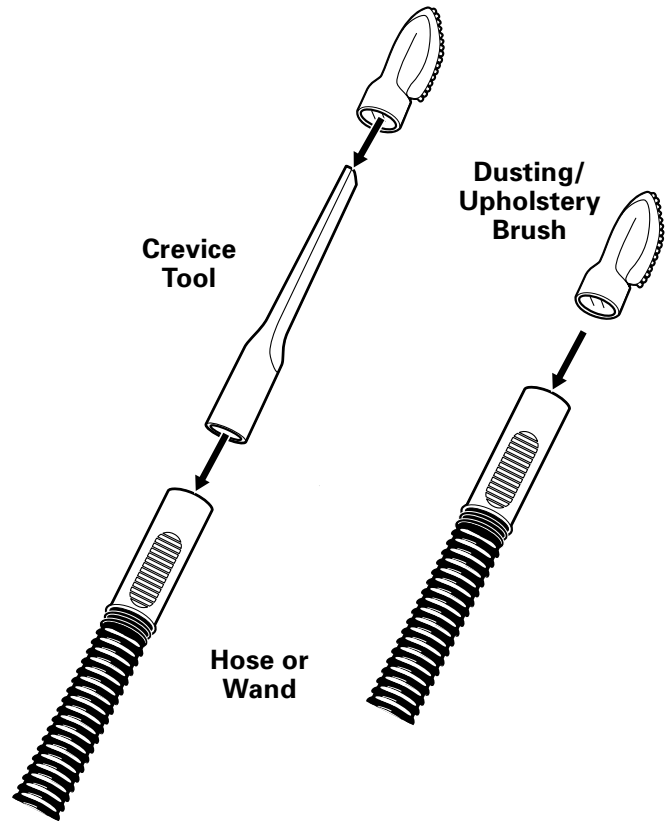
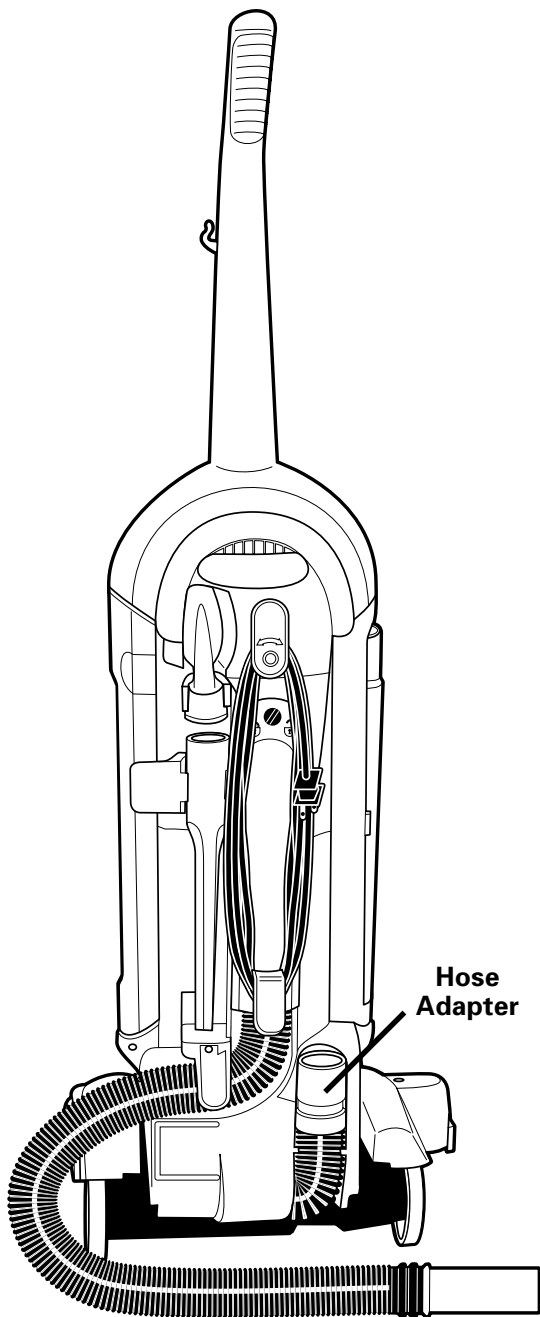
1. Push on/off switch to off.
2. Unplug cleaner.
3. Check for source of overheating problem (i.e. full bag, clogged hose or clogged filters).
4. If a full dust cup, clogged hose or clogged filters are found, empty dust cup, unplug the hose or replace the filters.
5. Wait at least 30 minutes before attempting to reuse the cleaner.
6. After 30 minute cool down period, plug the cleaner in and push the switch pedal. The cleaner should turn on.
7. If the cleaner still does not operate, call 1-877-556-0973 for customer assistance.

How To Use Accessories

CAUTION: Do not place cleaner on furniture or steps as the brush roll may cause damage. Place cleaner on floor with the handle in storage position while using accessories.

1. Remove hose from hose adapter on the back of cleaner.
2. Place desired accessory onto end of hose or wand.

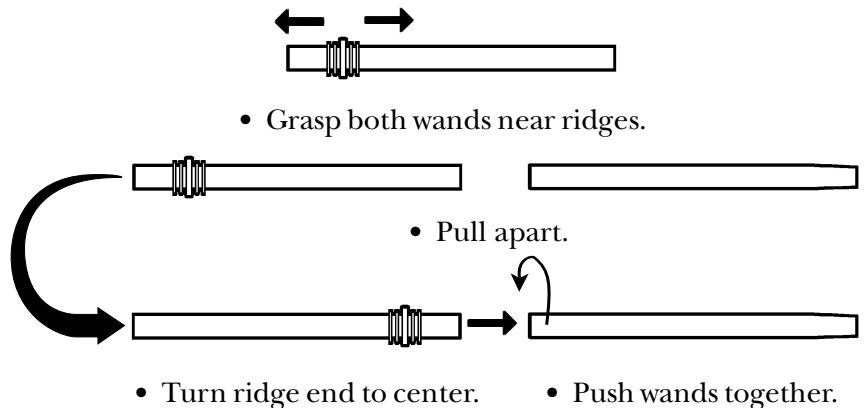
Dusting/Upholstery Brush is for furniture, blinds, books, lamp shades, shelves, curtains, draperies, cushions and fabrics.



Crevice Tool cleans corners, baseboards, between cushions.

Extension Wands (Some models use 1 wand)

Nested Extension Wands to add reach.



• Grasp both wands near ridges.

• Pull apart.

• Turn ridge end to center.

• Push wands together.

How to Check and Clear Hose Blockages

Low suction or poor pickup may be due to a blockage in the vacuum cleaner.

1. Remove hose from hose retainer and check suction at end of hose - if little or no suction, check dust cup. Empty if needed. If no improvement, proceed to step 2.

CAUTION: Turn off the switch and unplug the electrical cord before clearing hose.

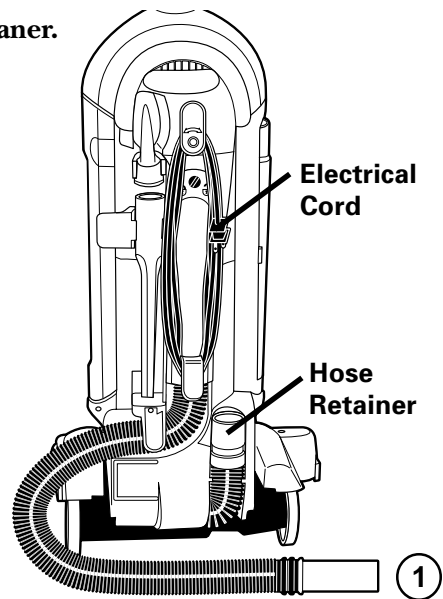
2. Remove electrical cord from cord hooks. Disconnect the clear tube by turning quarter turn fastener to the right to release, then lift away from cleaner.

Check for any obstructions that may be in the tube. Any obstructions can be removed by using a blunt instrument to clear the tube.

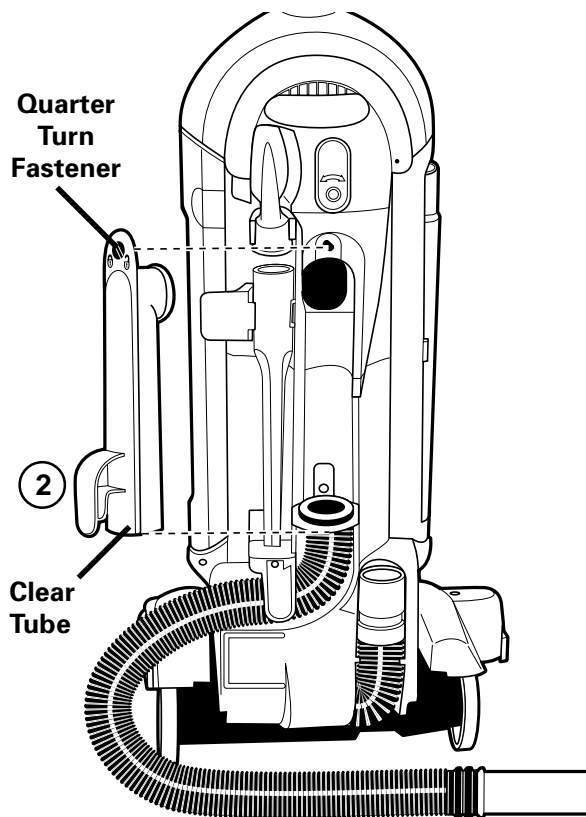
3. To completely release hose from the unit, remove two screws.

Any obstructions can be removed by using a blunt instrument to clear the hose. Flexing the hose may help loosen the blockage.

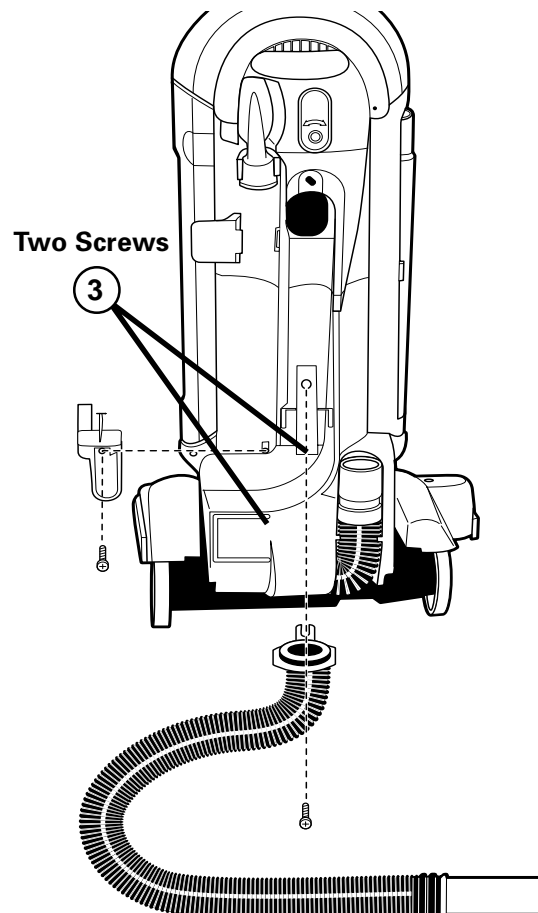
After clearing blockage, reverse above steps to reassemble unit.



1. Remove hose from hose retainer and check suction at end of hose.



2. Disconnect clear tube.



3. Release hose from unit.

How To Maintain

The instructions in this booklet serve as a guide to routine maintenance. To avoid unnecessary service calls, check the dust cup, belt, and brush roll often.

Brush Roll

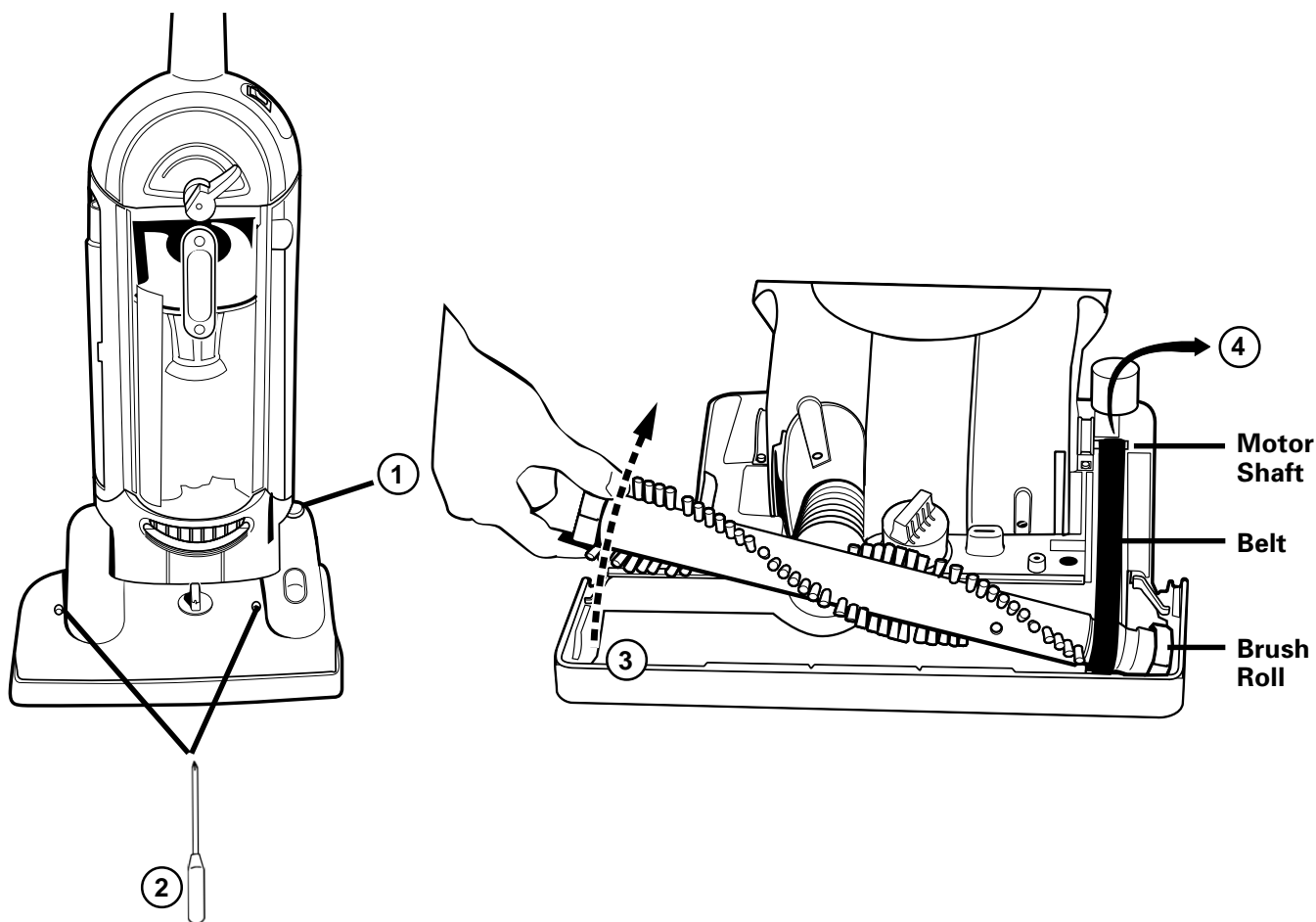
The brush roll turns as it sweeps and combs the carpet nap. Remove hair and threads from the brush roll so it continues brushing the carpet. To maintain the most efficient cleaning, the bristles must touch the carpet. To test the bristle length, hold a ruler against the underneath side of the cleaner. If the bristles no longer touch the ruler, replace the brush roll.

Brush Roll Belt

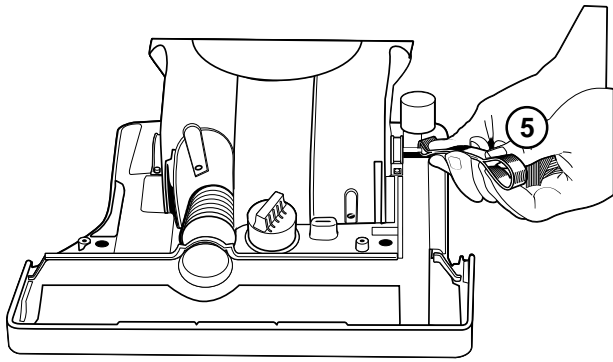
The brush roll belt turns the brush roll to agitate, sweep, and comb the carpet nap. Check the belt regularly to be sure it is in good condition. Replace the belt if it stretches, cracks or loses tension. Cut away any hair or threads wound around the brush roll or the belt pulley because the buildup could cause the belt to rotate unevenly.

How To Replace Brush Roll Belt – Style GE-1

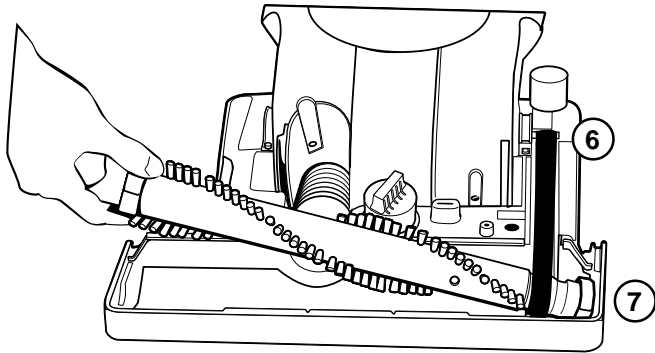
CAUTION: Turn off the switch and unplug the electrical cord before replacing belt. Belt pulleys can become hot during normal use. To prevent injury, avoid touching the motor pulley when checking the belt.



1. Lower handle to floor to change belt.
2. Remove two screws to release hood. Lift hood to remove.
3. Lift left end of brush roll.
4. Remove and discard belt.
5. Clean debris from brush roll area.

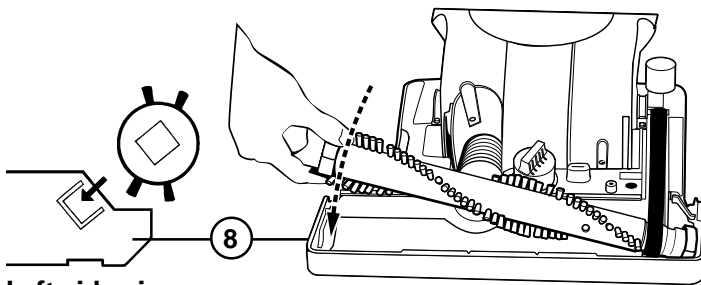


6. Place new belt around motor shaft.



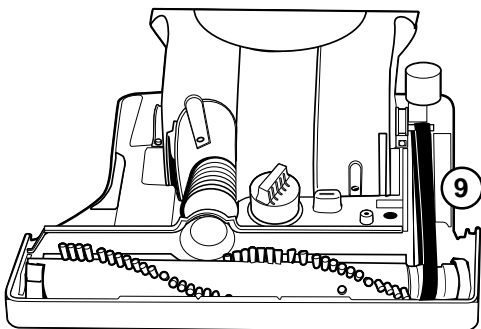
7. Place belt around brush roll pulley.

8. Pull right side of brush roll to stretch belt. Secure right end cap into base.



Left side view

9. Align left end cap with square in base. Push end cap into place; see left side view.



10. Rotate brush roll to seat belt.

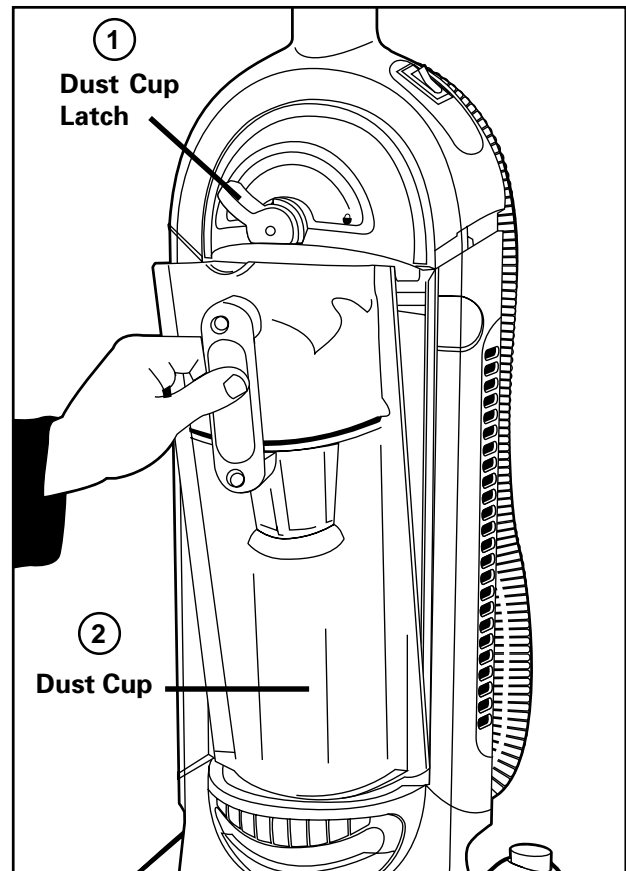
11. Replace the hood. Make sure hood front is behind furniture guard.

12. Tighten screws.

Use GE brand replacement belt, Style GE-1, Part No. 106615.

To Change Dust Cup Foam Filter:

NOTE: Turn off the switch and unplug the electrical cord before changing the Foam Filter. Never operate the vacuum cleaner without the dust cup or the foam filter assembly.



Release dust cup by rotating dust cup latch to the left pointing to the unlock symbol (☞). Pivot dust cup out and away from cleaner and remove.

Remove cyclonic dust cup by pulling latch (1) forward, pivoting cyclonic dust cup out and lifting up. To replace cyclonic dust cup, put bottom of cyclonic dust cup in place by aligning tabs in slots and pivot top assembly back into place. Push down on latch (1), making certain that latch securely snaps and overlaps tabs at top of dust cup.

To maintain good performance, check and clean the Foam Filter each time the dust cup is emptied and clean if needed. The filter can be cleaned by washing with mild detergent and warm water. Be sure foam filter is completely dry before reinstalling.

To clean the Foam Filter:

1. Remove the foam filter from the gray filter assembly by grasping handle and lifting upward and out of the dust cup.
2. Grasp lint trap cone and turn to remove.
3. Lift filter from cone and wash. Squeeze excess water from filter. Lint trap cone may also be washed. **Do not submerge gray filter assembly – wipe only with a damp cloth.**
4. **When all parts are completely dry**, replace filter in cone and turn to lock cone in place.

NOTE: Foam filter will be about 1/16" above ring at large end of lint trap cone.

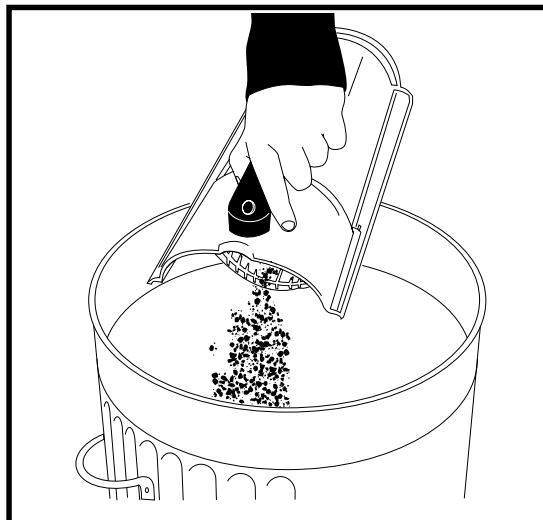


Use GE brand replacement filter, 61483.

FOR INSTRUCTIONS ON HOW TO REMOVE THE CYCLONIC DUST CUP FROM THE CLEANER BODY, REFER TO PAGE 12.

Emptying the Cyclonic Dust Cup:

It is clearly visible when the dust compartment is full and needs emptying. Remove dust cup from cleaner body and dump debris in a waste container.



Reinstalling the Cyclonic Dust Cup:

To mount gray filter assembly into cleaner body, make certain gray filter assembly is fully seated in top of dust cup. Replace dust cup by aligning front of the bottom of dust cup into groove on cleaner. Pivot dust cup up against cleaner and rotate the dust cup latch to the right to secure.

CAUTION: The dust cup can be washed in warm water, if desired, **but** strong detergents should not be used. Dry thoroughly before using again. **Do not submerge gray filter assembly, wipe only with a damp cloth.**

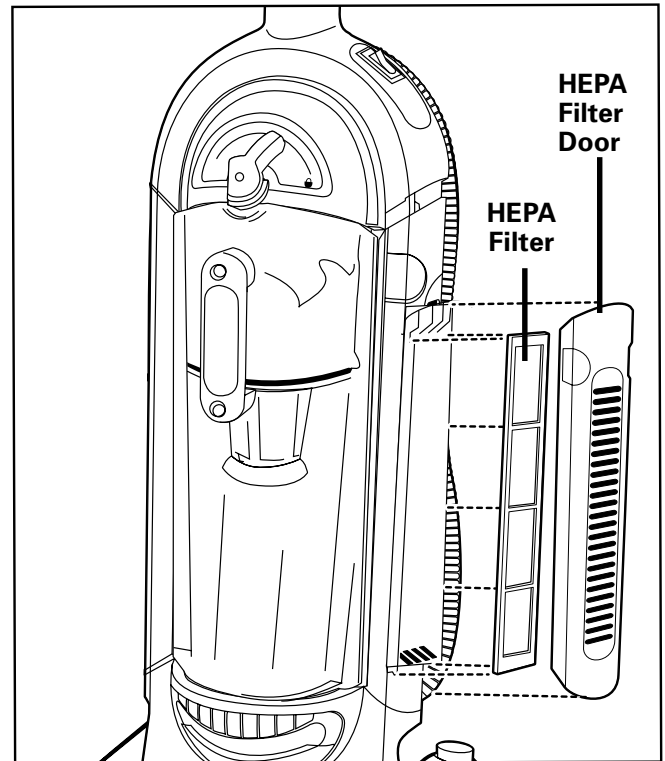
Cleaning and Replacing Filters

HEPA Filter

Inspect the HEPA filter periodically and change as needed. For maximum efficiency, replace the HEPA filter periodically.

To Replace HEPA Filter

1. Lift up and pull out on HEPA filter door to remove.
2. Grasp filter and pull out.
3. Place new HEPA filter into cleaner.
4. To close, place HEPA filter door at top of opening pressing against unit, slide down into place.

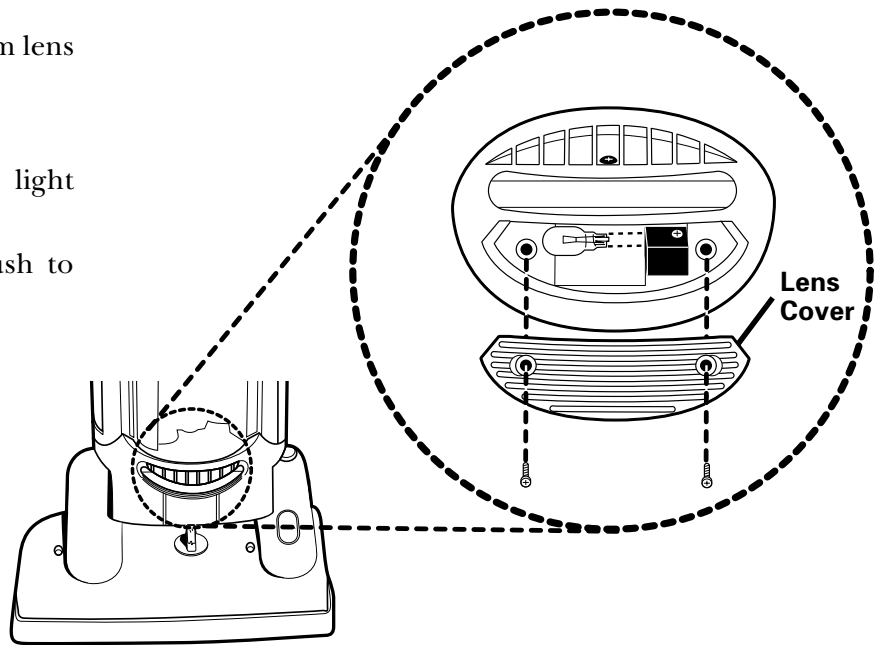


Use replacement HEPA filter supplied with Style GE-1.

How To Change Light Bulb

CAUTION: Turn off the power switch and unplug the electrical cord before changing light bulb.

1. Lower handle to remove two screws from lens cover.
2. Pull lens cover from cleaner.
3. Support socket with one hand and pull light bulb straight out to release.
4. Place new light bulb into socket; push to secure.
5. Push light bulb and socket back so bulb will not touch lens cover.
6. Replace lens cover.
7. Secure with two screws.



Use GE brand replacement light bulb, 61444-1

Problem Solving

NOTE: Turn off the switch and unplug the electrical cord before servicing.

PROBLEM	CAUSE	SOLUTION
Motor will not start.	<input type="checkbox"/> Electric Plug	<input type="checkbox"/> Push plug securely into outlet. <input type="checkbox"/> Try another outlet. <input type="checkbox"/> Check circuit breaker.
Motor suddenly stops.	<input type="checkbox"/> Thermal Cut Off	<input type="checkbox"/> Refer to page 7.
Does not clean the carpet or floor	<input type="checkbox"/> Dust Cup and Filter(s) <input type="checkbox"/> Belt <input type="checkbox"/> Brush Roll <input type="checkbox"/> Hose	<input type="checkbox"/> Empty the dust cup. Make sure the foam cone filter is clean and installed properly. Make sure dust cup is installed properly and dust cup latch secured. <input type="checkbox"/> Replace a cut, loose or out of shape belt. <input type="checkbox"/> Clean hair and thread from bristles and end cap area. Replace brush roll if bristles are worn. <input type="checkbox"/> Remove any clogs from the hose that restrict the airflow.
No suction at the end of the hose.	<input type="checkbox"/> Dust Cup and Filter(s) <input type="checkbox"/> Hose	<input type="checkbox"/> Empty the dust cup. Make sure the foam cone filter is clean and installed properly. Make sure dust cup is installed properly and dust cup latch secured. <input type="checkbox"/> Remove any clogs from the hose that restrict the airflow. Check both ends of the hose. (See page 9)
Headlight not working.	<input type="checkbox"/> Light Bulb	<input type="checkbox"/> Replace light bulb.
Noise from the brush roll area.	<input type="checkbox"/> Brush Roll <input type="checkbox"/> Belt	<input type="checkbox"/> Remove hood and clean debris from the brush roll area. <input type="checkbox"/> Replace a cut, loose or out of shape belt.
Cleaner is hard to push.	<input type="checkbox"/> Cleaner Height Setting <input type="checkbox"/> Belt	<input type="checkbox"/> Turn adjustment knob to a higher position. Hint: Put handle in operating position. Tilt the cleaner back to raise the front wheels off floor. Then turn the knob. <input type="checkbox"/> Replace a cut, loose and out of shape belt.
Brush roll will not turn.	<input type="checkbox"/> Brush Roll <input type="checkbox"/> Belt	<input type="checkbox"/> Remove hood and clean debris from the brush roll area. <input type="checkbox"/> Replace cut, loose or out of shape belt.
Burning smell.	<input type="checkbox"/> Brush Roll <input type="checkbox"/> Belt	<input type="checkbox"/> Remove hood and clean debris from the brush roll area. <input type="checkbox"/> Replace cut, loose or out of shape belt.
Cleaning height knob will not turn.	<input type="checkbox"/> Cleaner Height Setting	<input type="checkbox"/> Hint: Put handle in operating position. Tilt the cleaner back to raise the front wheels off floor. Then turn the knob.
Missing parts or questions.		<input type="checkbox"/> Call 1-877-556-0973 for customer assistance.

Customer Assistance

If you have a claim under this warranty, please call our Customer Assistance Number. For faster service please have model, series, and type numbers ready for operator to assist you. These numbers can be found on the rating plate on the bottom of your cleaner.

MODEL: _____ **TYPE:** _____ **SERIES:** _____

Customer Assistance Number, Canada, 1-877-556-0973

Keep this number for future reference!

E-mail inquiries: www.wal-mart.com

Two-Year Limited Warranty

What does your warranty cover?

- Any defect in material or workmanship.

For how long after the original purchase?

- Two years.

What will we do?

- Provide you with a new, or at our option, a reconditioned unit.
- The exchange unit is warranted for the remainder of your product's original two-year warranty period.

How do you make a warranty claim?

- Properly pack your unit. We recommend using the original carton and packing materials.
- Include in the package a copy of the sales receipt or other evidence of date of original purchase. If the unit was a gift, provide a statement specifying the date received. Also print your name and address and a description of the defect.
- Return the product to your nearest WAL-MART store.
- A new or reconditioned unit will be provided.

What does your warranty not cover?

- Belts, filters and light bulbs.
- Commercial use or any other use not found in printed directions.
- Damage from misuse, abuse, or neglect.
- Products purchased or serviced out of the country.

How does state law relate to this warranty?

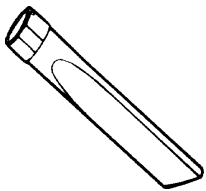
- This warranty gives you specific legal rights, and you may also have other rights which vary from state to state.
- WAL-MART expressly disclaims all responsibility for consequential damages or incidental losses caused by use of this appliance. Some states do not allow this exclusion or limitation of incidental or consequential losses so the foregoing disclaimer may not apply to you.

What if you purchased this product in the USA, Canada or Mexico and encounter a problem while using it outside the country where purchased?

- The warranty is valid only in the country of purchase and if you follow the warranty claim procedure as noted.

**Questions?
Call
1-877-556-0973**

Accessory Items in This Carton



1 crevice tool



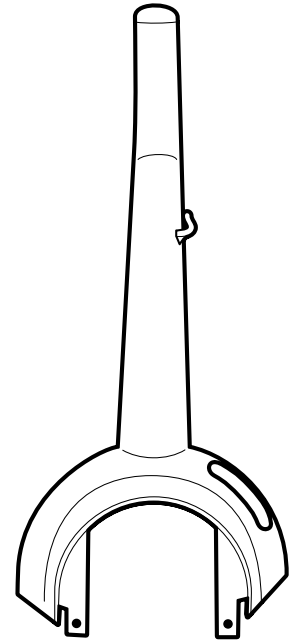
1 dusting/
upholstery brush



1 nesting wand



1 hardware package
(2 screws)



1 vacuum cleaner
handle

Thank you for selecting a GE Brand cleaner.

**Don't Forget to Use
GE Brand
Filters and Belts**

CAUTION: Damages caused by the use of other brand filters and belts are not covered by the Limited Warranty.




is a trademark of the General Electric Company used under license to Wal-Mart Stores Inc., Bentonville, AR

Printed in U.S.A.

AUTHORIZED APPLIANCE PARTS

866 Langs Dr., Cambridge, Ontario N3H 2N7

 BYMAIL: Simply fill out this form and mail to address above. Please include day and evening phone numbers

TO ORDER BY PHONE, PLEASE CALL:
1-877-556-0973 between 7 a.m. and 8 p.m.
Central Standard Time, Monday - Friday
or FAX to 1-800-361-4731.

**S
O
L
D

T
O**

NAME
ADDRESS (street address needed)
CITY STATE ZIP
DAYTIME PHONE EVENING PHONE
FAX E-MAIL





**S
H
I
P

T
O**













NAME
ADDRESS (street address needed)
CITY STATE ZIP
DAYTIME PHONE EVENING PHONE
FAX E-MAIL

IMPORTANT: Be sure to include your model, type, and serial number. These numbers may be found on the rating plate.

MODEL NUMBER: _____ TYPE: _____ SERIAL NUMBER: _____

	Part Number	Qty.	Price (CAD)	Total
ACCESSORIES/TOOLS:				
 EXTENSION WANDS	61452-1		4.49	
 DUSTING BRUSH	61453-1		3.89	
 CREVICE TOOL	61454-1		2.99	
 STRETCH HOSE	61440-1		11.99	

DISPOSABLE PAPER BAGS, BELTS AND DELUXE ALLERGEN FILTERS MUST BE PURCHASED AT YOUR LOCAL WAL-MART STORE OR www.walmart.com.

	Part Number	Qty.	Price (CAD)	Total
MISCELLANEOUS PARTS:				
 HEADLIGHT - package of 2	61444-1		2.39	
 BRUSH ROLL	61445-1		23.84	
 MOTOR FILTER	61455-1		1.49	
 FRONT WHEEL - package of 2	61446-1		2.54	
 REAR WHEEL - package of 2	61447-1		2.99	
 UPPER CORD HOOK	61456-1		1.49	
 HOSE RETAINER	61457-1		1.49	
 FRONT COVER LATCH	61458-1		1.49	
 REAR AIR TUBE	61459-1		7.49	
 REAR AIR TUBE FASTENER - package of 2	61448-1		1.94	
 ALLERGEN FILTER FRAME	61460-1		2.99	
 FILTER COVER	61461-2		4.49	

Method of Payment:

Check or Money Order (payable to **Authorized Appliance Parts**)



--	--	--	--	--	--	--	--	--	--	--	--	--	--	--	--	--	--	--	--	--

Exp. Date: -
Month - Year

Signature (full name as shown on acct.) _____

TOTAL (prices subject to change without notice)	
TAX (add G.S.T. & P.S.T. as required by law)	
POSTAGE & HANDLING CHARGE	\$8.25
TOTAL (please no cash or C.O.D.s)	

Free Manuals Download Website

<http://myh66.com>

<http://usermanuals.us>

<http://www.somanuals.com>

<http://www.4manuals.cc>

<http://www.manual-lib.com>

<http://www.404manual.com>

<http://www.luxmanual.com>

<http://aubethermostatmanual.com>

Golf course search by state

<http://golfingnear.com>

Email search by domain

<http://emailbydomain.com>

Auto manuals search

<http://auto.somanuals.com>

TV manuals search

<http://tv.somanuals.com>