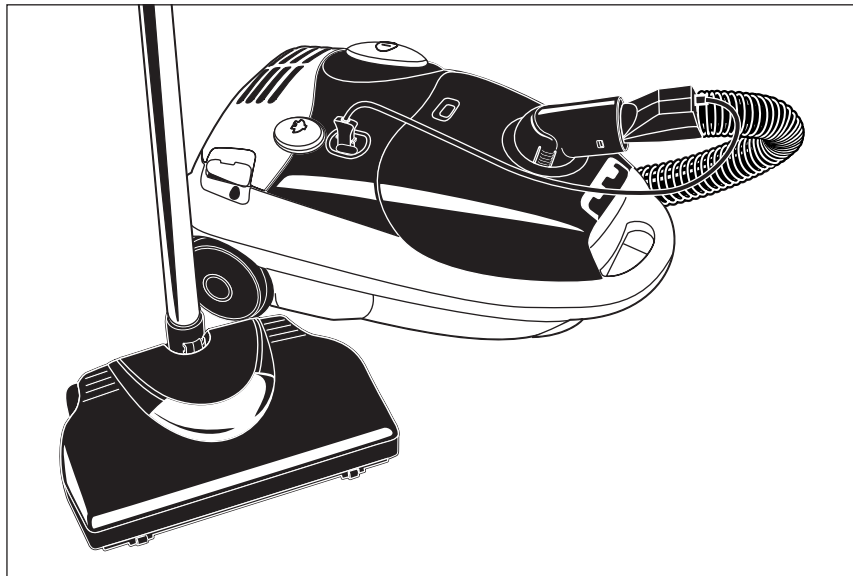




# *12 Amp - Two Motor Home Cleaning System*

Household Type

# Owner's Guide Model 106766



---

Important Safeguards .....	2	Filters .....	9
Service Information .....	4	Brush Roll .....	10
Assembly .....	5-7	Brush Roll Belt .....	10
Thermal Cut Off .....	4	Light Bulb .....	10
Accessories .....	7	Customer Order Form .....	11
Dust Bag .....	8	Warranty .....	13

**For Customer Assistance Please Call: 1-877-207-0923**

# Vacuum Cleaner Safety

## IMPORTANT SAFEGUARDS

When using an electrical appliance, basic precautions should always be followed, including the following:

**READ ALL INSTRUCTIONS BEFORE USING THIS VACUUM CLEANER.**

### WARNING

**To reduce the risk of fire, electric shock, or injury.**

- Do not use outdoors or on wet surfaces.
- **Do not leave vacuum cleaner when plugged in.** Turn off the switch and unplug the electrical cord when not in use and before servicing.
- Do not allow to be used as a toy. Close attention is necessary when used by or near children.
- Use only as described in this manual. Use only manufacturer's recommended attachments.
- Do not use with damaged cord or plug. If vacuum cleaner is not working as it should, has been dropped, damaged, left outdoors, or dropped into water, return it to a service center before using.
- Do not pull or carry by cord, use cord as a handle, close a door on cord, or pull cord around sharp edges or corners. Do not run vacuum cleaner over cord. Keep cord away from heated surfaces.
- Hold plug when rewinding onto cord reel. Do not allow plug to whip when rewinding.
- Do not use extension cords or outlets with inadequate current carrying capacity.
- Turn off all controls before unplugging.
- Always turn off this appliance before connecting or disconnecting either hose or motorized nozzle.
- Do not unplug by pulling on cord. To unplug, grasp the plug, not the cord.
- The hose contains electrical wires. Do not use if damaged, cut or punctured. Avoid picking up sharp objects.
- Do not handle plug or vacuum cleaner with wet hands.
- Do not put any object into openings. Do not use with any opening blocked; keep free of dust, lint, hair, and anything that may reduce airflow.
- This vacuum cleaner creates suction and contains a revolving brush roll. Keep hair, loose clothing, fingers, and all parts of body away from openings and moving parts.
- Do not pick up anything that is burning or smoking, such as cigarettes, matches, or hot fireplace or barbecue ashes. Live sparks or embers could start a fire in waste material inside the tank.
- Do not use without dust bag, motor filter or with a damaged filter.
- Use extra care when cleaning on stairs.
- Belt pulleys can become hot during normal use. To prevent burns, avoid touching the belt pulley when servicing the drive belt.
- Do not use to pick up flammable or combustible liquids such as gasoline, or use in areas where they may be present.
- Store your cleaner indoors and in a cool, dry area.
- Keep your work area well lighted.
- Unplug electrical appliances before vacuuming them.

## SAVE THESE INSTRUCTIONS

## Important Safeguards in French

**To reduce the risk of electric shock**, this appliance has a polarized plug (one blade is wider than the other). The plug will fit in a polarized outlet only one way. If the plug does not fit fully in the outlet, reverse the plug. If it still does not fit, contact a qualified electrician to install the proper outlet. Do not change the plug in any way.

**Afin de réduire le risque de choc électrique**, cet appareil est muni d'une fiche polarisée (une des lames est plus large). Cette fiche ne peut être insérée dans une prise polarisée que d'une seule façon. Si la fiche ne peut être insérée dans la prise, retourner la fiche. Si la fiche ne peut toujours pas être insérée dans la prise, faire installer une prise adéquate par un électricien qualifié. Ne pas modifier la fiche.

## GENERAL INFORMATION

The bag may have come dislodged in shipping. Check the bag to insure proper seating before attempting to use the cleaner. Do not operate the cleaner without a dust bag or the filters. Damage may result to the motor (see Dust Bag and Filter).

The cleaner is designed to pick up dirt and dust particles. Avoid picking up hard or sharp objects with the cleaner to avoid bag breakage, hose clogging, or possible motor damage.



**DO NOT OIL the motors (in the canister and the motorized nozzle) or the brush roll at any time. The bearings are permanently lubricated and sealed.**

### Customer Assistance

The instructions in this booklet serve as a guide to routine maintenance. For additional service information please call, 1-877-207-0923. **You should know the model, type and serial numbers when you call.**

### Rating Plate

The model, type and serial numbers are indicated on the rating plate located on the underneath side of the cleaner. For prompt and complete service information, always refer to these numbers when inquiring about service.

Model No. & Type \_\_\_\_\_

Serial No. \_\_\_\_\_

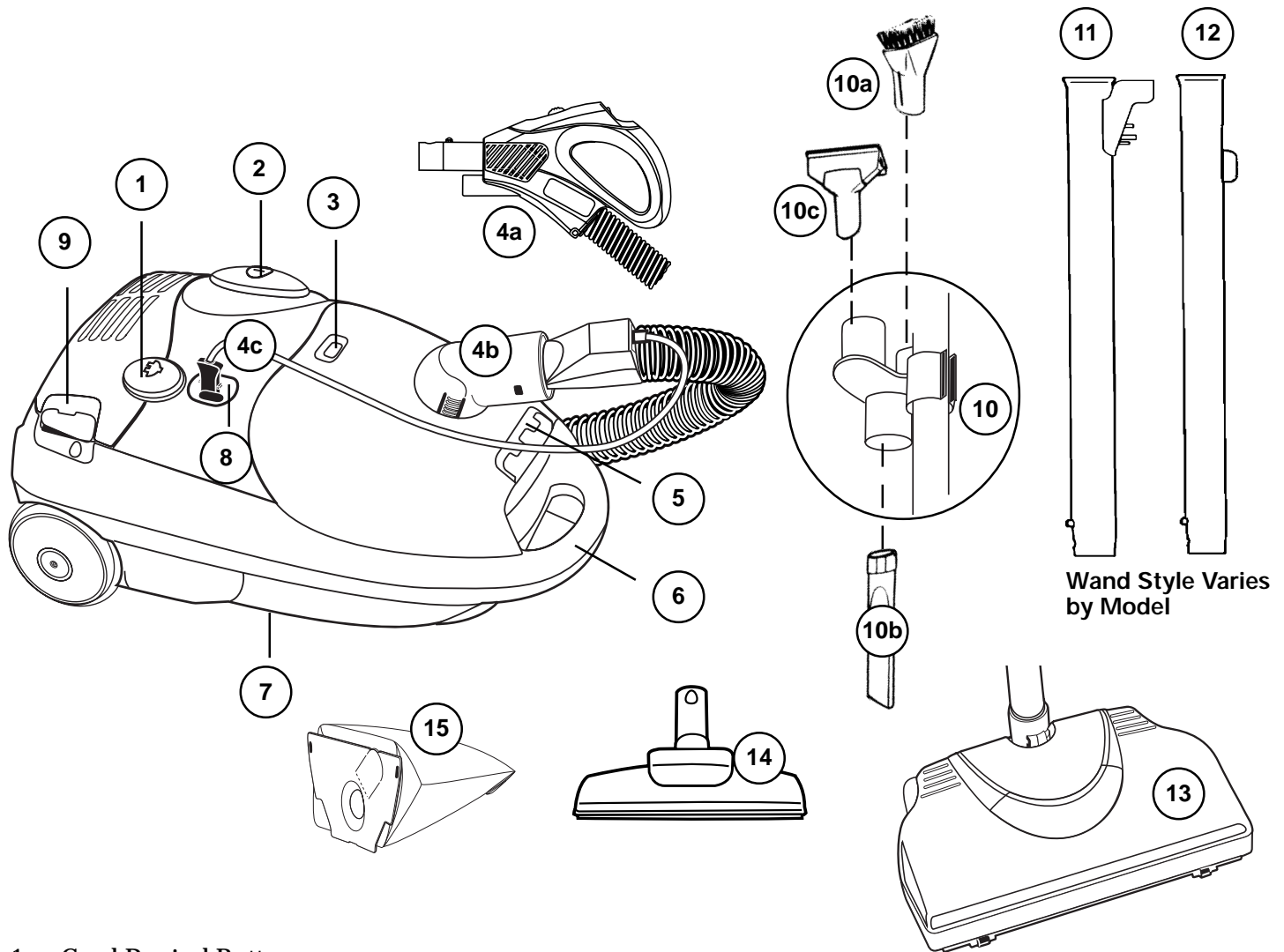
### Automatic Motor Shut-Off

To protect from overheating, this vacuum cleaner is equipped with a thermostat which automatically shuts off the motor if it overheats. Should this happen:

1. **Turn off the switch and unplug** the cleaner because the thermostat will allow the cleaner to automatically start running again when the motor cools (approximately 30 minutes);
2. **Check the hose, bag, and filters** as a clogged hose, full bag, or dirty filters could cause the motor to overheat; and
3. **Call 1-800-207-0923 for customer assistance** if the cleaner will not operate after cooling for approximately 30 minutes.

# Assembly Items

**NOTE: Unpack and identify all parts. Fully assemble before using.**



1. Cord Rewind Button
2. Power Switch
3. Bag Change Indicator
4. Hose has Handle with remote controls (4a) and coupling (4b) with plug (4c).  
See instructions on pages 6 and 7.
5. Bag Cover Latch
6. Carrying Handle
7. Parking slot for bare floor nozzle is located on the bottom and rear of the canister.
8. Hose Plug Connection
9. Motor Filter Compartment Latch
10. Tool-Pak Storageon Wand
  - a) Dusting Brush
  - b) Crevice Tool
  - c) Upholstery Nozzle
11. Button-Lock Extension Wand with plug retainer
12. Button-Lock Extension Wand with cord retainer
13. Motorized Nozzle
14. Floor Brush
15. Disposable Dust Bags

Always carry the vacuum by the handle when cleaning steps, etc.

# How to Assemble and Use

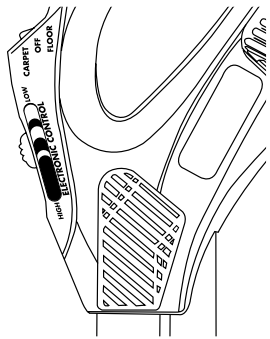
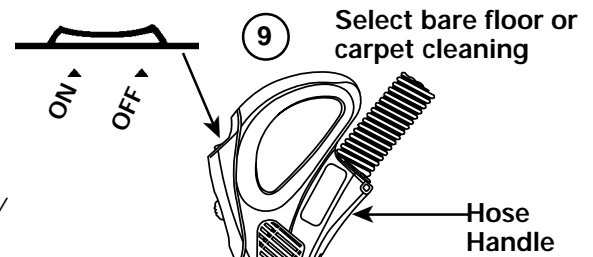
## Hose Handle

Remote ON/OFF Selector for motorized nozzle

\*Off – push down on front

**Bare Floor** – push down on back

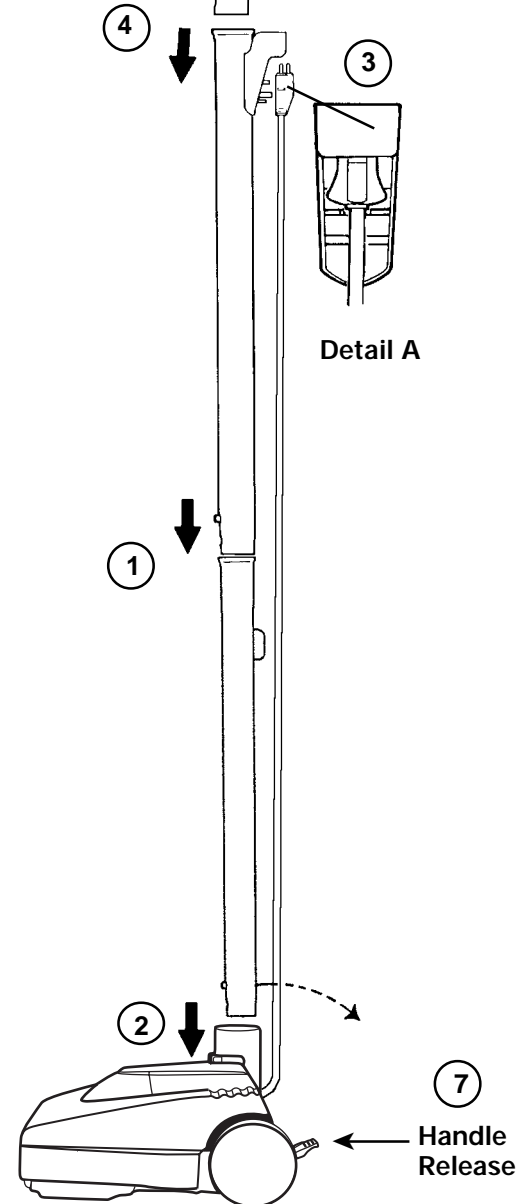
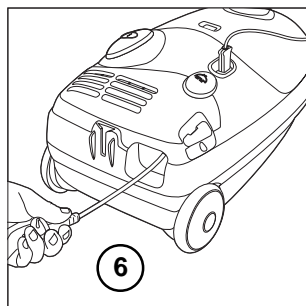
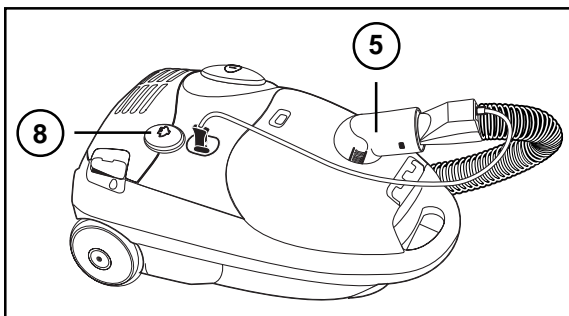
\*Power ON/OFF for canister can only be controlled by canister ON/OFF switch.



## Vacuum Control

Cleaning suction is reduced by pushing lever to LOW position. Place lever at HIGH position to increase suction for carpet cleaning.

1. Snap interlocking wands together.
2. Push assembled wands into power nozzle.
3. Push motorized nozzle plug into the retainer located at the top of the upper wand; secure cord in slot (Detail A).
4. Place hose handle into wands until plug connects and button locks.
5. Insert hose coupling into top of canister and push hose power cord into receptacle located on top of canister.
6. Pull on electrical cord and push plug into outlet. To rewind, step on Cordaway cord reel button, hold and guide plug while it rewinds.
7. Step on motorized nozzle to release handle; pull back to comfortable work position.
8. Push On/Off canister switch.  
(A thermostat automatically shuts off the motor if it overheats, see Automatic Motor Shut-Off.)
9. Bare floor or carpet cleaning selection on remote control, only.



## Tools

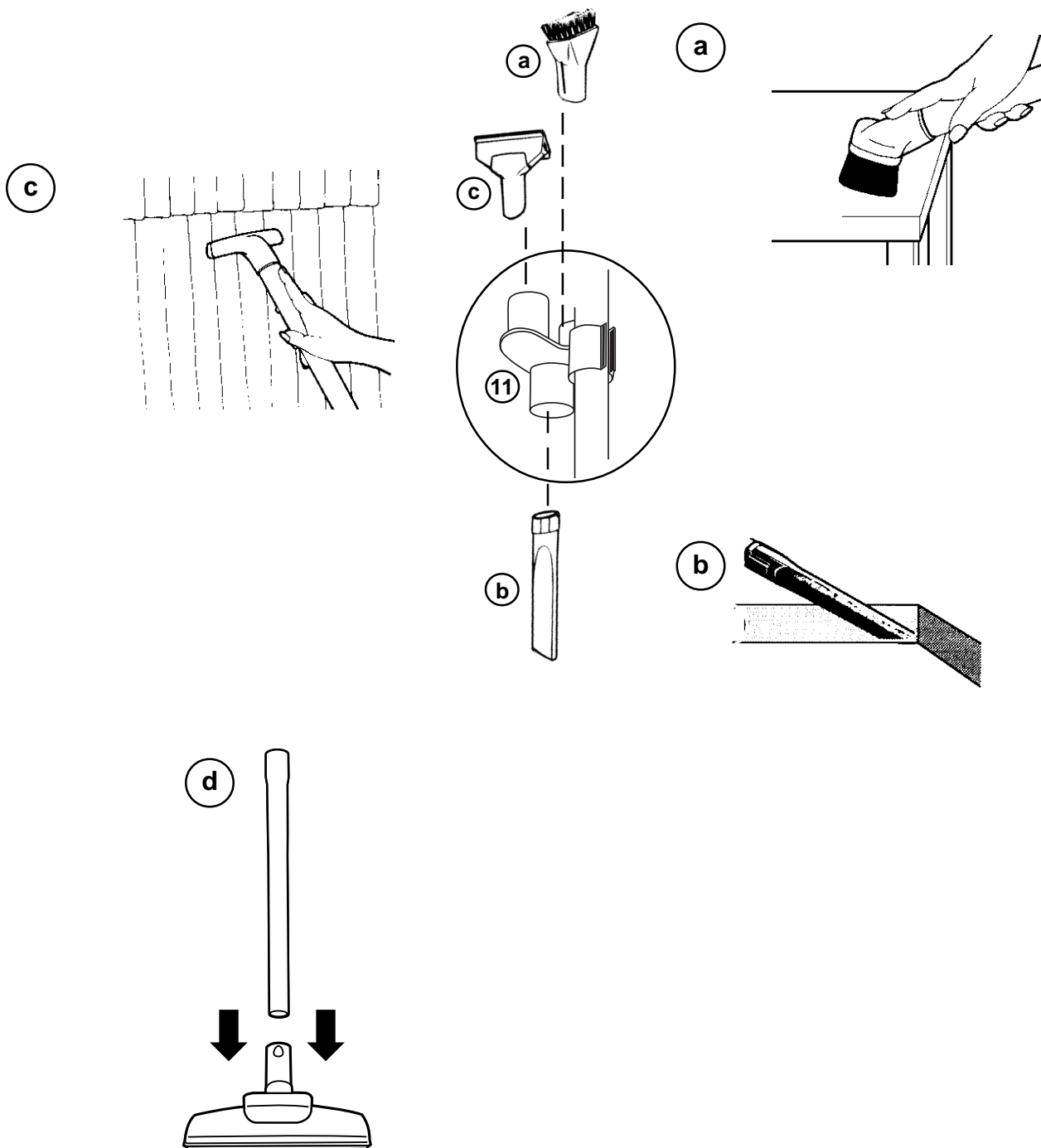
11. The tools are stored in the tool caddy attached to the upper wand. To use cleaning tools, attach them directly to end of hose or use the button-lock wand. Twist the round end of tool onto hose or wand until secure.

**a. Dusting brush.** For furniture, blinds, books, lamp shades, shelves.

**b. Crevice tool.** For corners, baseboards, between cushions, sliding door tracks.

**c. Upholstery nozzle.** For curtains, draperies, cushions, fabrics.

**d. Floor brush.** For paneled walls, ceilings, beams, bare floor surfaces.



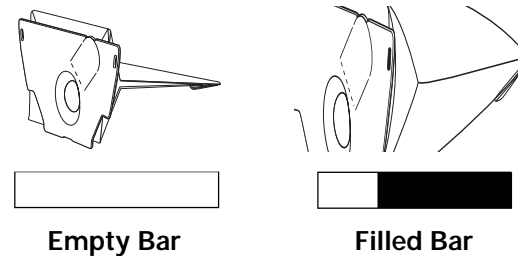
# How To Maintain

The paper bag and filters play a very important role in the efficiency of the vacuum cleaner. The purpose of the paper bag is to trap dirt and at the same time the paper must be porous enough to allow air to pass through. If the paper bag or filters become clogged, no air can pass through the cleaner and no cleaning takes place regardless of how powerful the unit. To keep the cleaner operating at maximum efficiency, change the dust bag frequently and clean the filters as necessary.

**Some fine particles can restrict airflow very quickly and will decrease performance even before the bag appears to be full. When vacuuming carpet fresheners or cleaners, plaster dust, or similar fine substances, replace the bag and clean filters more often.**

## Bag Change Indicator

The bag change indicator bar fills as the airflow through the bag decreases. Certain types of fine particles like powder, plaster dust, or carpet fibers can restrict airflow very quickly and will decrease performance even before the bag appears to be full. When the warning appears, change the disposable dust bag to restore maximum performance. If a clean dust bag does not restore maximum performance, clean the filters and check the hose and wands for obstructions.

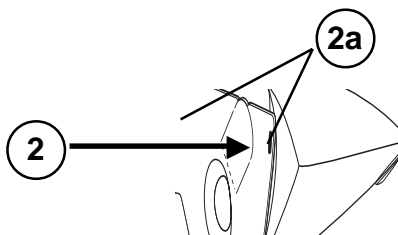


## How To Change Disposable Dust Bag

**NOTE: Turn off the power switch and disconnect electrical cord from wall socket before changing dust bag. Never use the cleaner without a dust bag or filters.**

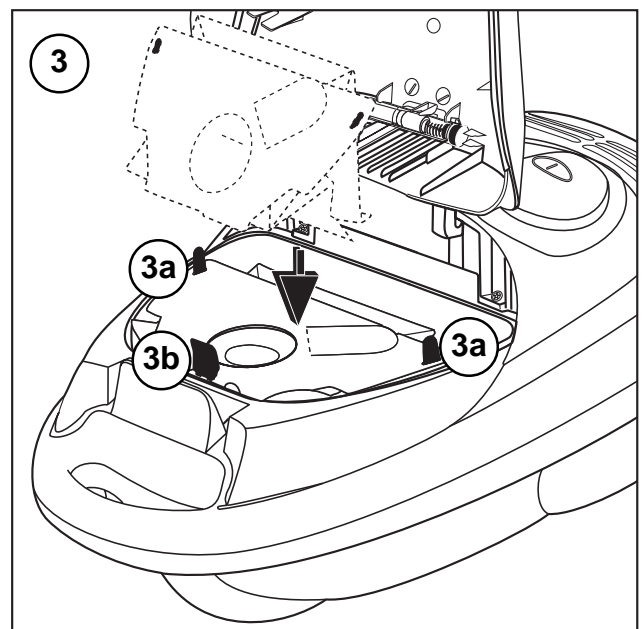
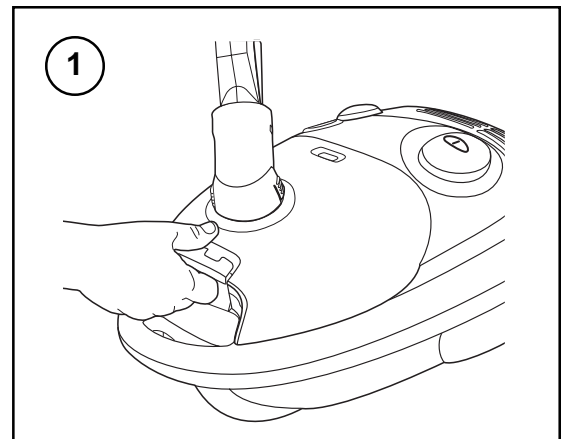
To remove used dust bag:

1. Unplug the hose power cord to open the lid of bag compartment.
2. Push the bag's cardboard disc closed, grasp the cardboard collar and lift out the full bag.



To install new dust bag:

3. Put in the new dust bag, GE branded, Style CN-1, by placing holes (2a) in upper corners of bag collar on pegs inside the cleaner (3a). Make sure bag collar is secured under the bag clip (3b) (**The bag compartment lid will not latch without dust bag properly in place.**)





## Filters

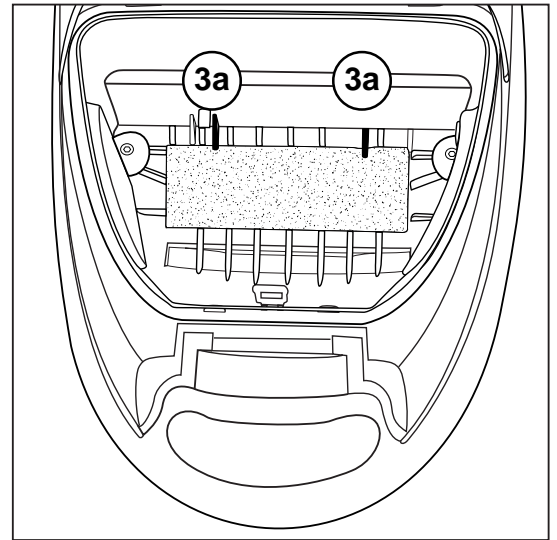
For maximum efficiency, be sure to maintain the motor filter and the final filter regularly.

### Motor Filter

Inspect the motor filter with each disposable dust bag change.

The motor filter in the dust bag compartment should be cleaned when necessary or about twice a year.

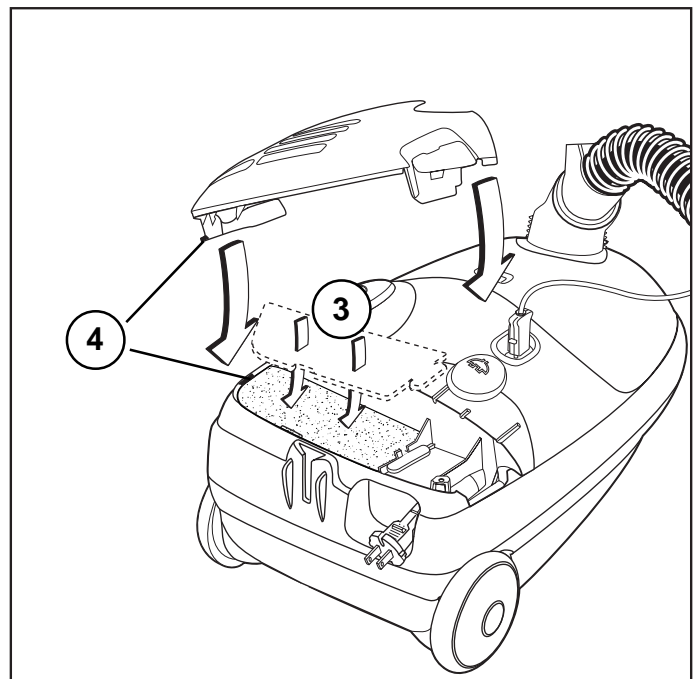
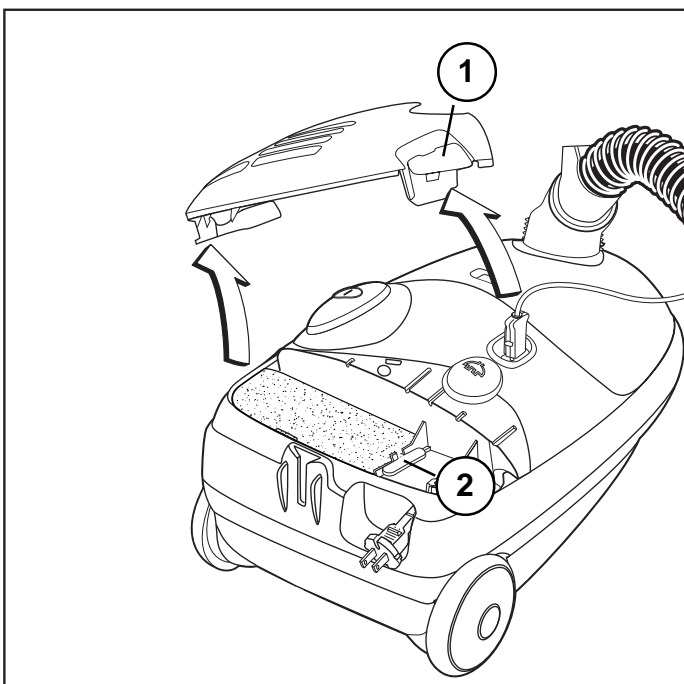
1. Open the cover, remove disposable dust bag and lift motor filter out of compartment
2. Shake out thoroughly.
3. To replace cleaned filter or install a new filter, fit into the bottom of compartment under two ribs (3a).



### HEPA Filter

Check the HEPA filter with each disposable dust bag change. Replace after every three bag changes or when obviously dirty. A new HEPA filter is included in every three pack of bags.

1. Remove filter cover. Press in on latch on filter cover and lift cover upward.
2. Using finger tab on filter, lift filter out of compartment.
3. Put in new HEPA filter.
4. Replace filter cover. Place tab on filter cover into notch on cleaner. Use a gentle twisting motion to seat tab. Swing filter cover down against cleaner until latch clicks shut.



## Brush Roll

The brush roll turns to sweep and comb the carpet nap. Keep the brush roll free from hair and threads so it will continue cleaning. When the bristles of the brush roll no longer touch a piece of cardboard held across the bottom plate, the brush roll is ineffective because the bristles no longer touch the carpet nap. To maintain the most effective cleaning, install a new brush roll.

## Brush Roll Belt and Light Bulb

The brush roll belt on the motorized nozzle drives the brush roll to agitate, sweep, and comb the carpet nap. The belt should be checked regularly to be sure that it is in good condition. Replace the belt if it is stretching, cracking, or slipping. Cut away any hair or thread wound around the brush roll or belt pulley because the buildup could cause the belt to rotate unevenly.

## How to Replace Worn Belt or Light Bulb

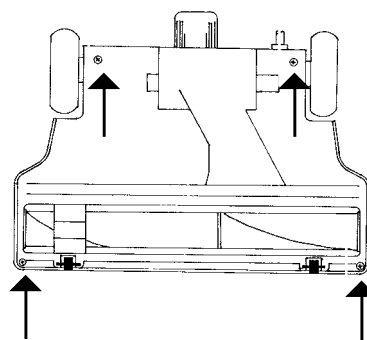
**NOTE: Turn off the switch and unplug the electrical cord before replacing belt or bulb. Pulleys can become hot during normal use. To prevent injury, avoid touching the pulleys when servicing the drive belt.**

1. Remove four screws from bottom side. Turn unit over; pull up on hood to remove.

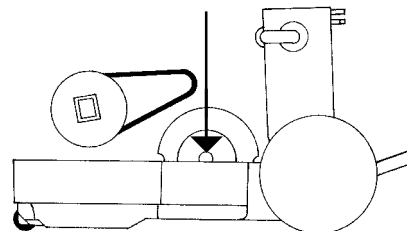
**Replace light bulb, if necessary. Use GE Branded replacement bulb, Part No. 48815 listed on customer order form. (15 watt maximum)**

**Continue to step 2 to change belt. Skip to step 7 to replace hood.**

2. Lift out brush roll and discard used belt.
3. Put new belt around brush roll pulley first; then the motor pulley.
4. Place left end cap into the base.
5. Pull right end of brush roll to stretch belt. Secure right end cap into base.
6. Rotate brush roll to seat belt.
7. Position hood; replace screws in bottom.



Motor Pulley



Brush Roll Pulley

**Use GE Branded replacement belt, CN-1.**

## Customer Order Form Page

## Customer Order Form Page

# Customer Assistance

If you have a claim under this warranty, please call our Customer Assistance Number. For faster service please have model, series, and type numbers ready for operator to assist you. These numbers can be found on the rating plate on the bottom of your cleaner.

MODEL: \_\_\_\_\_ TYPE: \_\_\_\_\_ SERIES: \_\_\_\_\_

Customer Assistance Number, 1-877-207-0923; Canada, 1-877-556-0973

Keep this number for future reference!

E-mail inquiries: [www.wal-mart.com](http://www.wal-mart.com)

## Two-Year Limited Warranty

### What does your warranty cover?

- Any defect in material or workmanship.

### For how long after the original purchase?

- Two years.

### What will we do?

- Provide you with a new unit.
- The exchange unit is warranted for the remainder of your product's original two-year warranty period.

### How do you make a warranty claim?

- Properly pack your unit. We recommend using the original carton and packing materials.
- Include in the package a copy of the sales receipt or other evidence of date of original purchase. If the unit was a gift, provide a statement specifying the date received. Also print your name and address and a description of the defect.
- Return the product to your nearest WAL-MART store.
- A new unit will be provided.

### What does your warranty not cover?

- Belts, filters and light bulbs.
- Commercial use or any other use not found in printed directions.
- Damage from misuse, abuse, or neglect.
- Products purchased or serviced outside the USA.

### How does state law relate to this warranty?

- This warranty gives you specific legal rights, and you may also have other rights which vary from state to state.
- WAL-MART expressly disclaims all responsibility for consequential damages or incidental losses caused by use of this appliance. Some states do not allow this exclusion or limitation of incidental or consequential losses so the foregoing disclaimer may not apply to you.

### What if you purchased this product in the United States, Canada or Mexico and encounter a problem while using it outside the USA?

- The warranty is valid only in the country of purchase and if you follow the warranty claim procedure as noted.

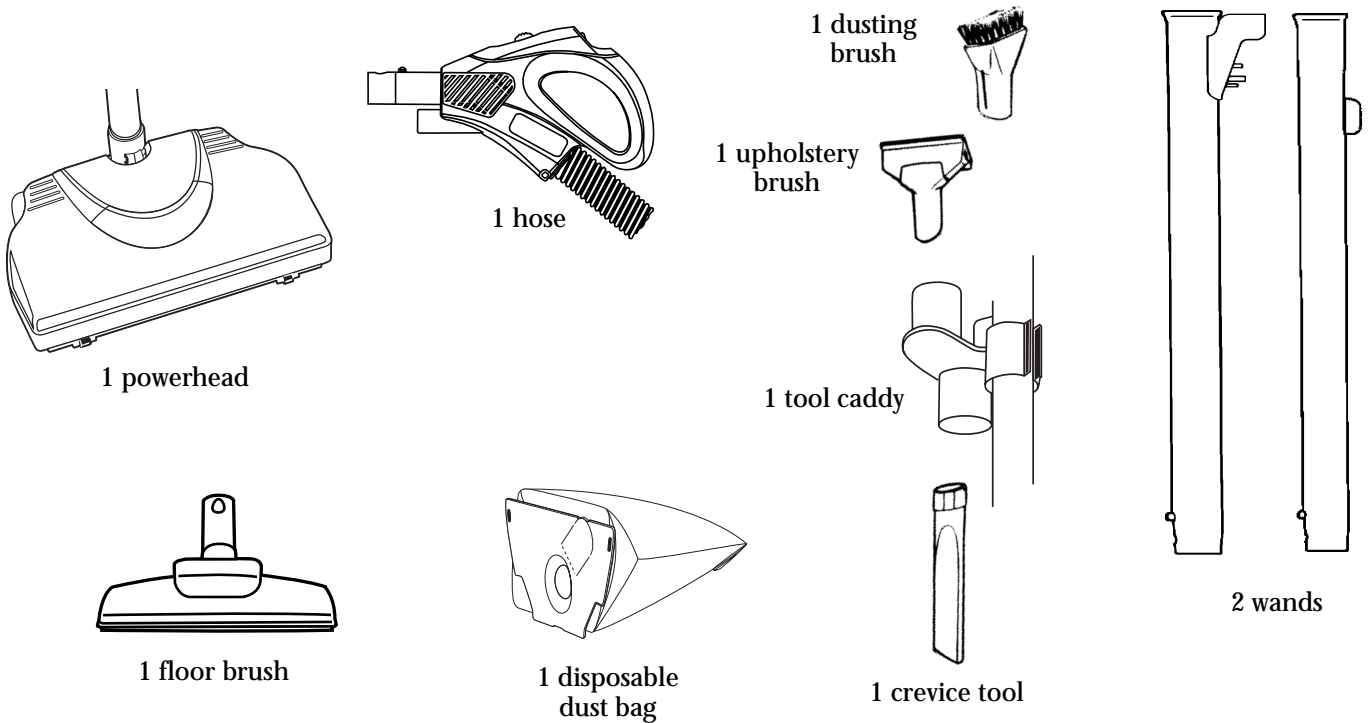
For products purchased outside the United States and Canada, see dealer for warranty.

WAL-MART Stores, Inc.  
Bentonville, AR 72716

**Questions?  
Call  
1-877-207-0923**

---


## **Accessory Items in This Carton**



---

**Thank you for selecting a GE brand cleaner.**

**Don't Forget to Use  
GE Brand  
Filters and Belts**

 is a trademark of the General Electric Company used under license to Wal-Mart Stores Inc., Bentonville, AR

## Free Manuals Download Website

<http://myh66.com>

<http://usermanuals.us>

<http://www.somanuals.com>

<http://www.4manuals.cc>

<http://www.manual-lib.com>

<http://www.404manual.com>

<http://www.luxmanual.com>

<http://aubethermostatmanual.com>

Golf course search by state

<http://golfingnear.com>

Email search by domain

<http://emailbydomain.com>

Auto manuals search

<http://auto.somanuals.com>

TV manuals search

<http://tv.somanuals.com>