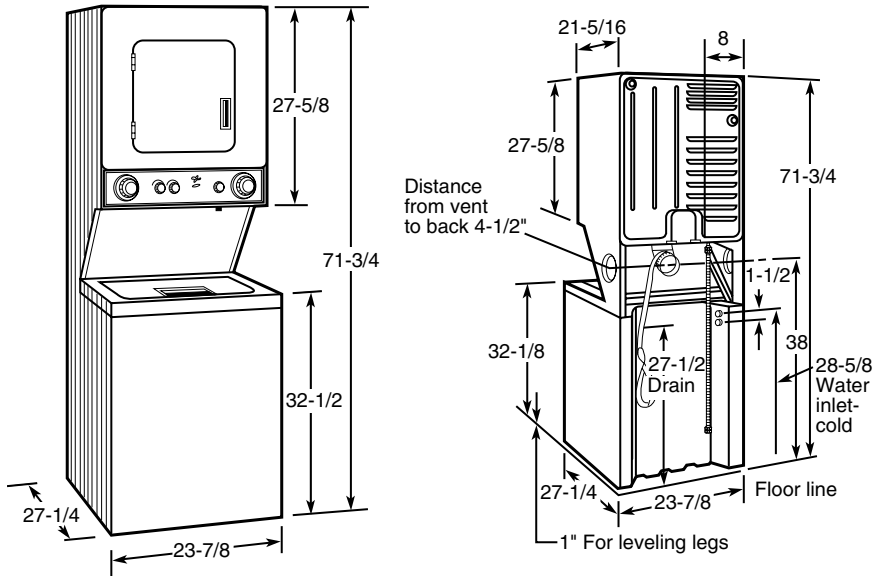




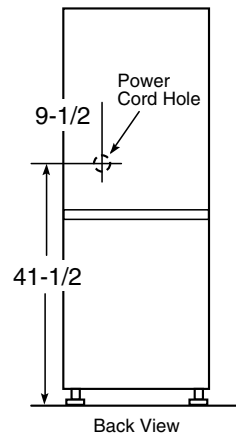
GE Appliances

WSM2420/80D – GE® 24" Unitized Spacemaker® Washer/Dryer

Dimensions (in inches)



Power Cord Location



Electrical Requirements:

WSM2420D:

Electric Dryer – This appliance should be connected to an individual, properly grounded branch circuit with 120/240V single-phase 60Hz electrical service and should be protected by 30-amp time-delay fuses or circuit breakers. This appliance is manufactured with the neutral connected to the frame. Power cord should be purchased separately.

Note: These appliances are not approved for 120-volt operation.

WSM2480D:

Gas Dryer – This appliance should be connected to an individual, properly grounded branch circuit with a three-prong grounding-type receptacle and 120-volt single-phase 60 Hz electrical service and should be protected by 15- or 20-amp time-delay fuses or circuit breakers. This appliance is equipped with a 6-foot long flexible U.L. listed 20-amp power cord to match a 15-amp receptacle.

Gas Rated input 10,500 BTU/HR. Factory equipped for natural gas. Tested for LP gas.

Dryers **must** be exhausted to the outside.

Installation Information:

For complete information, see installation instructions packed with the product.

Specification Revised 5/09
360327



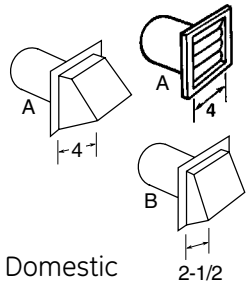
Listed by
Underwriters
Laboratories

For answers to your Monogram®, GE Profile™ or GE® appliance questions, visit our website at GEAppliances.com or call GE Answer Center® service, 800.626.2000.



GE Appliances

WSM2420/80D – GE® 24" Unitized Spacemaker® Washer/Dryer



Domestic dryer models

| Domestic dryer models | Number of 90° turns | Best performance | |
|-----------------------|---------------------|--|---------------------|
| | | Maximum length of 4" dia. rigid metal duct | |
| | | Exhaust hood type | |
| | | A 4" opening | B 2-1/2" opening |
| DSKS433EB | 0 | 46 ft. | 37 ft. |
| DSKS333EC | 1 | 38 ft. | 30 ft. |
| DSKP333EC | 2 | 31 ft. | 22 ft. |
| WSM2780H | 3 | 24 ft. | 15 ft. |
| WSM2700H | 0 | 56 ft. | 42 ft. |
| | 1 | 46 ft. | 36 ft. |
| | 2 | 34 ft. | 28 ft. |
| | 3 | 32 ft. | 18 ft. |
| WSM2420D* | 0 | 43 ft. | 36 ft. |
| WSM2480D* | 1 | 33 ft. | 26 ft. |
| | 2 | 23 ft. | 16 ft. |

*Foil ducting not allowed

For complete information, see installation instructions packed with your dryer.

Ducting Materials:

This dryer MUST be vented with 4" diameter all rigid metal exhaust duct.

Exhaust Length Calculation:

1. Determine the number of 90° turns needed for your installation. If you exhaust to the side or bottom of dryer, add one turn.
2. The maximum length of 4" rigid (aluminum or galvanized) duct which can be tolerated is shown in the table.

A turn of 45° or less may be ignored. Two 45° turns within the duct length should be treated as a 90° elbow. A turn over 45° should be treated as a 90° elbow.

Dryers **must** be exhausted to the outside.

Caution: For personal safety do not terminate exhaust into a chimney, under any enclosed house floor (crawl space), or into an attic, since the accumulated lint could create a fire hazard or moisture could cause damage. Never terminate the exhaust into a common duct or plenum with a kitchen exhaust, since the combination of lint and grease could create a fire hazard.

Exhaust ducts should be terminated in a dampered wall cap to prevent back drafts, bird nesting, etc. The wall cap must also be located at least 12" above the ground or any other obstruction with the opening pointed down.

Special Installation Requirements

Alcove or Closet Installation:

- If your dryer is approved for installation in an alcove or closet, it will be stated on a label on the dryer back.
- The dryer MUST be exhausted to the outside.
- Minimum clearances between dryer cabinet and adjacent walls or other surfaces are:
0" either side
3" front and rear
- Minimum vertical space from floor to overhead cabinets, ceilings, etc. is 52".
- Closet doors must be louvered or otherwise ventilated and must contain a minimum of 60 sq. in. of open area equally distributed. If this closet contains both a washer and a dryer, doors must contain a minimum of 120 sq. in. of open area equally distributed.
- No other fuel-burning appliance shall be installed in the same closet with a gas dryer.

Bathroom or Bedroom Installation:

- The dryer MUST be exhausted to the outdoors.
- The installation must conform with the local codes, or in the absence of local codes, with the National Electric Code and National Fuel Gas Code, ANSI Z223 for gas dryers.

Minimum Clearances other than Alcove or Closet Installation:

- Minimum clearances to combustible surfaces
0" both sides
3" rear



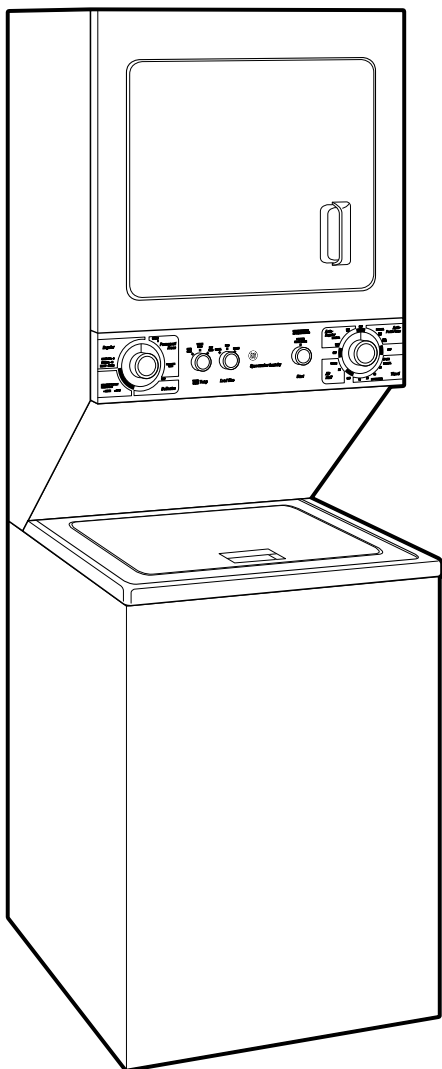
Listed by Underwriters Laboratories

For answers to your Monogram®, GE Profile™ or GE® appliance questions, visit our website at GEAppliances.com or call GE Answer Center® service, 800.626.2000.



GE Appliances

WSM2420/80D – GE® 24" Unitized Spacemaker® Washer/Dryer



Features and Benefits

- Two Wash/Spin speeds – Matches wash action to fabric type for better cleaning and clothes care
- Three Wash Cycles – A cycle for almost every fabric, from permanent press to delicates
- Three Wash/Rinse Temperatures – Allow you to select the right temperature for better wash results and long fabric life
- Three Water Levels – Minimize water waste, allowing you to select water level based on load size
- Electromechanical Controls – Selector knob turns smoothly in either direction, simplifying cycle selection
- Model WSM2420DWW – White on white (Electric)
- Model WSM2420DCC – Bisque on bisque (Electric)
- Model WSM2480DWW – White on white (Gas)

Specification Revised 5/09

360327

Free Manuals Download Website

<http://myh66.com>

<http://usermanuals.us>

<http://www.somanuals.com>

<http://www.4manuals.cc>

<http://www.manual-lib.com>

<http://www.404manual.com>

<http://www.luxmanual.com>

<http://aubethermostatmanual.com>

Golf course search by state

<http://golfingnear.com>

Email search by domain

<http://emailbydomain.com>

Auto manuals search

<http://auto.somanuals.com>

TV manuals search

<http://tv.somanuals.com>