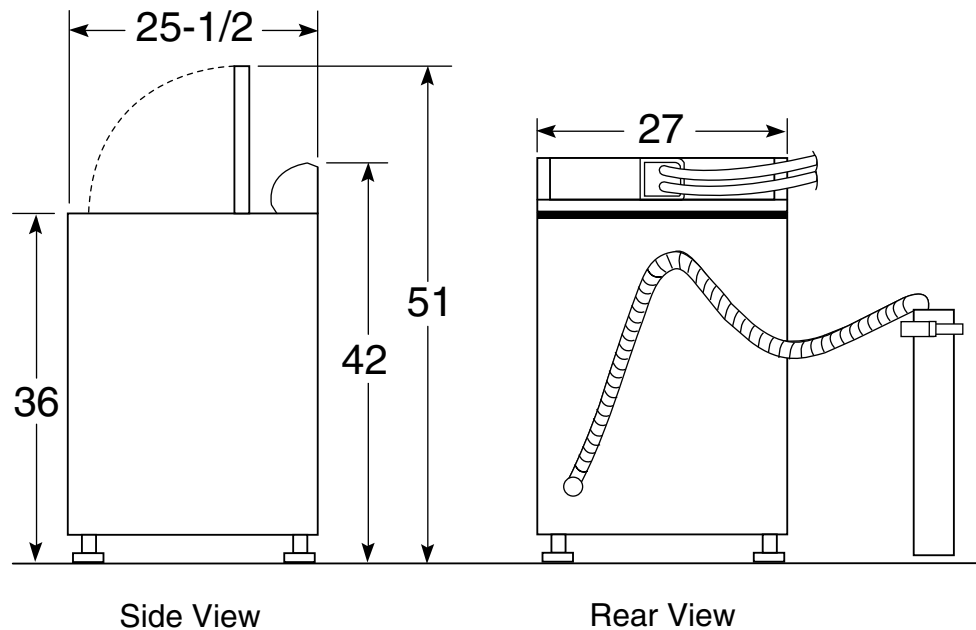




GE Appliances

## WWSE3160AWW—GE Super Plus 3.2 Cu. Ft. Capacity Washer

Dimensions (in inches)



**Circuit Requirements:** An individual, properly-grounded branch circuit, with a three-prong grounding-type receptacle, protected by a 15 or 20 amp circuit breaker or a time-delay fuse, is required.

**Electrical Rating:** 115V, 60Hz, 10A

**Washer Note:** Washer wall outlet must be located within 36" of service cord entry. Wall outlet must not be located behind dryer.

**Installation Information:** For complete information, see installation instructions packed with your washer.

Specification Created 2/00

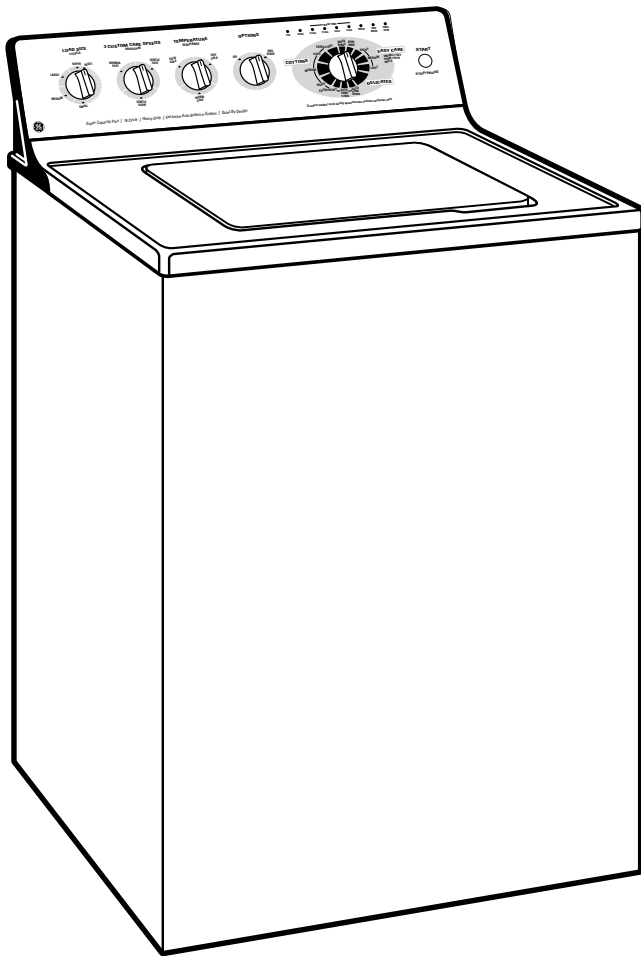
For answers to your Monogram®,  
GE Profile Performance Series™,  
GE Profile™ or GE appliance questions, call  
GE Answer Center® service, 800.626.2000.





**GE Appliances**

## **WWSE3160AWW—GE Super Plus 3.2 Cu. Ft. Capacity Washer**



### **Features and Benefits**

- Super Plus (3.2 cu. ft.) Capacity Washer
- Auto Balance Suspension System
- 16 Wash Cycles with Cycle Countdown:
  - Cottons, Regular with Auto Soak (15/30 Min.), Extra Heavy Soil, Heavy Soil, Medium Soil, Light Soil and Extra Light Soil Cycles
  - Easy Care with Heavy Soil, Medium Soil and Light Soil Cycle
  - Delicates with Medium Soil Cycle
- Spin Only Option
- 3 Wash/Rinse Temperatures
- 2 Wash/Spin Speed Combination
- 4 Water Levels
- GentlePower™ Agitator
- Self-Cleaning Filter
- PermaTuf II™ Basket
- Quiet-By-Design™
- Fabric Softener Dispenser and Bleach Dispenser
- Color Lid Instructions
- 100% Front Serviceable
- Model WWSE3160AWW - White on white
- Model WWSE3160AAA - Almond on almond

**Specification Created 2/00**

## Free Manuals Download Website

<http://myh66.com>

<http://usermanuals.us>

<http://www.somanuals.com>

<http://www.4manuals.cc>

<http://www.manual-lib.com>

<http://www.404manual.com>

<http://www.luxmanual.com>

<http://aubethermostatmanual.com>

Golf course search by state

<http://golfingnear.com>

Email search by domain

<http://emailbydomain.com>

Auto manuals search

<http://auto.somanuals.com>

TV manuals search

<http://tv.somanuals.com>