

Standby Power Rating

25 kW 60 Hz

Liquid Cooled
Gas Engine
Generator Sets



WHISPER-TEST™

WHISPER-TEST™

Low Speed Exercise
62 dB(A) at 23 feet

GENERAC 1.6L ENGINE

Naturally Aspirated
Gaseous Fueled

UL 2200 Listed

Transfer Switch is sold separately

STANDARD EQUIPMENT

- All input connections in one single area
- High coolant temperature shutdown
- Low oil pressure shutdown
- Low coolant level automatic shutdown
- Overspeed automatic shutdown
- Crank timer
- Exercise timer
- Oil drain extension
- Cool flow radiator
- Closed coolant recovery system
- Watertight state of the art electrical connectors
- Mainline circuit breaker
- Radiator drain extension
- Battery charge alternator
- 2 Amp static battery charger
- Battery rack and battery cables
- Fan and belt guards
- Isochronous governor
- UV/Ozone resistant hoses
- Flex fuel line pigtail

FEATURES

- Innovative design and fully prototype tested
- UL 2200 Listed
- Solid state frequency compensated voltage regulator
- Dynamic and static battery charger
- Sound attenuated acoustically designed enclosure
- *Whisper-Test™* for low noise level exercise
- Acoustically designed engine cooling system
- High flow low noise factory engineered exhaust system
- State of the art control system with R-Series digital control panel
- Watertight electrical connectors
- Rodent proof construction
- High efficiency, low distortion Generac designed alternator
- Vibration isolated from mounting base
- Matching Generac transfer switches engineered and tested to work as a system
- All components easily accessible for maintenance
- Electrostatically applied powder paint



COMMERCIAL SERIES

Download from www.Somanuals.com. All Manuals Search And Download.

GENERATOR SPECIFICATIONS

TYPE.....	Synchronous
ROTOR INSULATION.....	Class F
STATOR INSULATION.....	Class F
TOTAL HARMONIC DISTORTION.....	<5%
TELEPHONE INTERFERENCE FACTOR (TIF).....	<50
ALTERNATOR OUTPUT LEADS 3 PHASE.....	4 wire
BEARINGS.....	Sealed Ball
COUPLING.....	Flexible Disc
LOAD CAPACITY (STANDBY RATING).....	25 kW
EXCITATION SYSTEM.....	Direct

NOTE: Generator rating and performance in accordance with ISO8528-5, BS5514, SAE J1349, ISO3046, and DIN6271 standards.

VOLTAGE REGULATOR

TYPE.....	Electronic
SENSING.....	Single Phase
REGULATION.....	± 1%
FEATURES.....	V/F Adjustable Adjustable Voltage and Gain LED Indicators

GENERATOR FEATURES

- Revolving field heavy duty generator
- Directly connected to the engine
- Operating temperature rise 120 °C above a 40 °C ambient
- Insulation is Class F rated at 130 °C rise
- All models are fully prototyped tested

CONTROL PANEL FEATURES

- SEVEN LED INDICATOR LIGHTS
 - System ready
 - Low fuel pressure
 - Low battery
 - Low oil pressure
 - High coolant temp/low coolant temp
 - Overspeed
 - Overcrank
- ADDITIONAL FUNCTIONS
 - Utility sensing
 - Delay on utility failure for engine start
 - Engine warm-up before transfer
 - Delay to retransfer to utility
 - Engine cooldown timer
 - Exerciser not set
- INTERNAL FUNCTIONS:
 - 3 position switch (auto, off and manual)
 - 2 wire start for any transfer switch
 - Communicates with the Generac RTS transfer switch
 - Built-in 7 day exerciser
 - Selectable engine speed at exercise
 - Governor controller is built into the master control board
 - Temperature range -40 °C to 70 °C

Rating definitions - Standby: Applicable for supplying emergency power for the duration of the utility power outage. No overload capability is available for this rating. (All ratings in accordance with BS5514, ISO3046 and DIN6271). (All ratings in accordance with BS5514, ISO3046, ISO8528 and DIN6271).

ENGINE SPECIFICATIONS

MAKE.....	Generac
MODEL.....	In line
CYLINDERS.....	4
DISPLACEMENT.....	1.6 Liter
BORE.....	3.15
STROKE.....	3.13
COMPRESSION RATIO.....	9.75:1
INTAKE AIR SYSTEM.....	Naturally Aspirated
VALVE SEATS.....	Replaceable
LIFTER TYPE.....	Hydraulic

GOVERNOR SPECIFICATIONS

TYPE.....	Electronic
FREQUENCY REGULATION.....	Isochronous
STEADY STATE REGULATION.....	± 0.25

ENGINE LUBRICATION SYSTEM

OIL PUMP.....	Gear
OIL FILTER.....	Full flow spin-on cartridge
CRANKCASE CAPACITY.....	4 Quarts

ENGINE COOLING SYSTEM

TYPE.....	Closed
WATER PUMP.....	Belt driven
FAN SPEED.....	2550
FAN DIAMETER.....	15 inches
FAN MODE.....	Pusher

FUEL SYSTEM

FUEL TYPE.....	Natural gas, propane vapor
CARBURETOR.....	Down Draft
SECONDARY FUEL REGULATOR.....	Standard
FUEL SHUT OFF SOLENOID.....	Standard
OPERATING FUEL PRESSURE.....	.5" - 14" H ₂ O

ELECTRICAL SYSTEM

BATTERY CHARGE ALTERNATOR.....	12V 30 Amp
STATIC BATTERY CHARGER.....	2 Amp
RECOMMENDED BATTERY.....	Group 26, 525CCA
SYSTEM VOLTAGE.....	12 Volts

OPERATING DATA

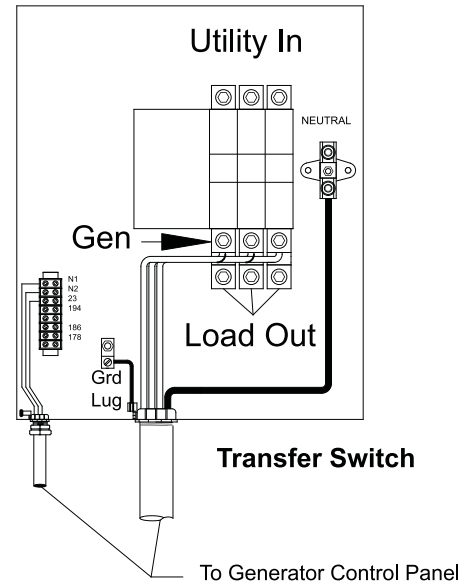
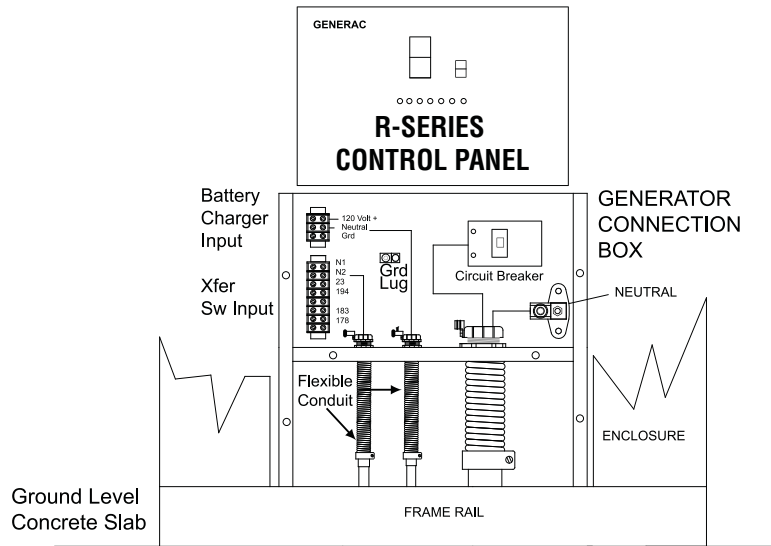
		COMMERCIAL 25 kW				
KW RATING		25				
ENGINE SIZE		1.6 Liter 4 cyl. inline				
GENERATOR OUTPUT VOLTAGE/KW - 60Hz		KW LP	KW NG	AMP LP	AMP NG	CB Size
120/208V, 3-phase, 0.8 pf		25	24	86.8	83.3	100
120/240V, 3-phase, 0.8 pf		25	24	75.2	72.2	90
GENERATOR LOCKED ROTOR KVA AVAILABLE @ VOLTAGE DIP OF 35%		34				
ENGINE FUEL CONSUMPTION (Natural Gas) (Propane)		Natural Gas		Propane		
		(ft ³ /hr.)		(gal/hr.)	cu ft/hr	
Exercise cycle		60		0.65	24	
25% of rated load		161		1.76	64	
50% of rated load		253		2.77	101	
75% of rated load		345		3.79	138	
100% of rated load		437		4.81	175	
ENGINE COOLING						
Air flow (inlet air including alternator and combustion air) ft ³ /min.		1,528				
System coolant capacity US gal.		2.0				
Heat rejection to coolant BTU/hr.		110,000				
Max. operating air temp. on radiator °C (°F)		60 (150)				
Max. ambient temperature °C (°F)		50 (140)				
COMBUSTION AIR REQUIREMENTS						
Flow at rated power 60 Hz cfm		90				
SOUND EMISSIONS IN DBA						
db(A) @ 23 feet in exercise mode		62				
db(A) @ 23 feet at normal operating load		74				
EXHAUST						
Exhaust flow at rated output 60 Hz cfm		249				
Exhaust temp. at muffler outlet °F		1015				
ENGINE PARAMETERS						
Rated synchronous RPM 60 Hz		3600				
HP at rated KW 60 Hz		45				
POWER ADJUSTMENT FOR AMBIENT CONDITIONS						
Temperature Deration						
3% for every 10 °C above - °C		25				
1.65% for every 10 °F above - °F		77				
Altitude Deration						
1% for every 100 m above - m		183				
3% for every 1000 ft. above - ft.		600				

RATING: All single phase units are rated at 1.0 power factor. STANDBY RATING: Standby ratings apply to installations served by a reliable utility source. The standby rating is applicable to varying loads for the duration of a power outage. There is no overload capability for this rating. Ratings are in accordance with ISO-3046-1. Design and specifications are subject to change without notice. Maximum wattage and current are subject to and limited by such factors as fuel/Btu content, ambient temperature, altitude, engine power and condition, etc.

INTERCONNECTIONS

COMMERCIAL 25 kW

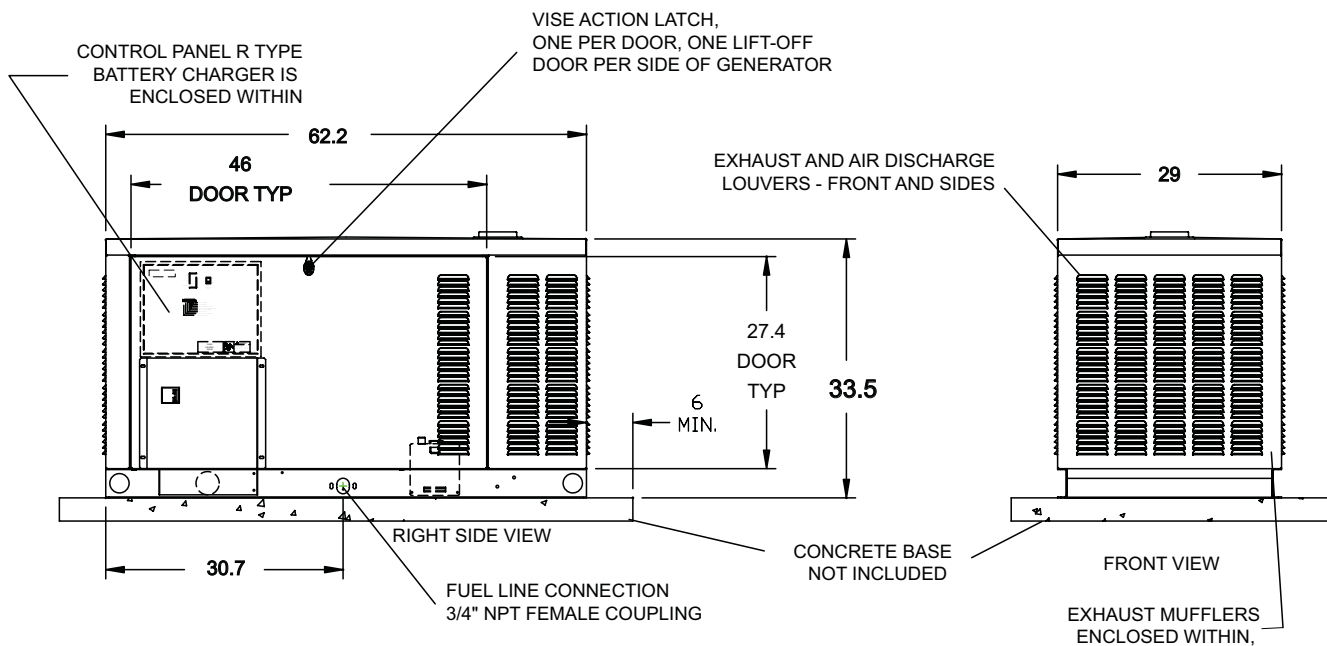
C1 Enclosure 18-30 KW QT



KW	CIRCUIT BREAKER SIZE		LUG SIZE
	VOLTS	AMPS	
25	208 3ø	100	#6 - 300 MCM
25	240 3ø	90	#4 - 1/0



INSTALLATION LAYOUT



UNIT WEIGHT: Steel 875 lbs.

GENERAC® POWER SYSTEMS, INC. • P.O. BOX 297 • WHITEWATER, WI 53190
 WEBSITE: www.guardiangenerators.com

Free Manuals Download Website

<http://myh66.com>

<http://usermanuals.us>

<http://www.somanuals.com>

<http://www.4manuals.cc>

<http://www.manual-lib.com>

<http://www.404manual.com>

<http://www.luxmanual.com>

<http://aubethermostatmanual.com>

Golf course search by state

<http://golfingnear.com>

Email search by domain

<http://emailbydomain.com>

Auto manuals search

<http://auto.somanuals.com>

TV manuals search

<http://tv.somanuals.com>