

Hopper Kit for GH5040ES, GH733ES, GH933, and GH933ES Big Rig Sprayers

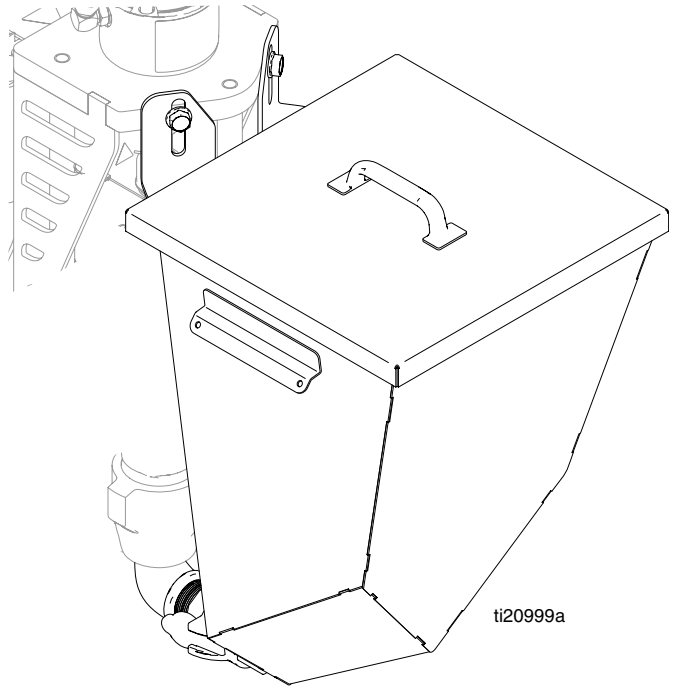
332234A
EN

Model 16U505


Series	Maximum Working Pressure
GH733ES Bare	4000 psi (27.6 MPa, 276 bar)
GH5040ES Bare	5000 psi (34.5 MPa, 345 bar)
GH933ES Bare	7250 psi (50.0 MPa, 500 bar)
GH933 Bare	7250 psi (50.0 MPa, 500 bar)






IMPORTANT SAFETY INSTRUCTIONS
Read all warnings and instructions in sprayer manual. Save these instructions.



Related Manuals:

	332156
	332157
	332158

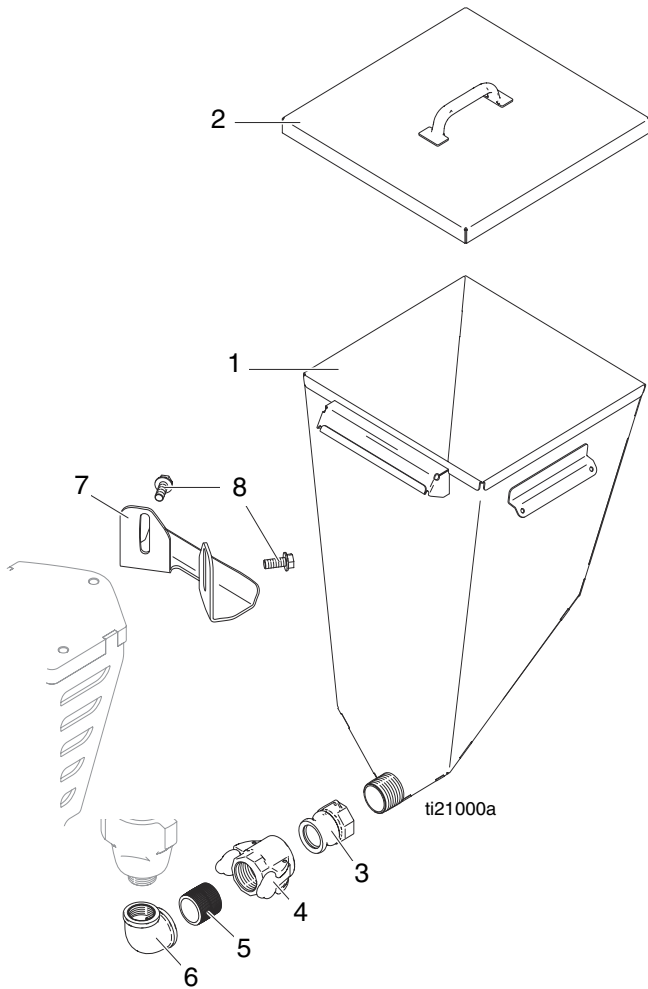
Pressure Relief Procedure

			
<p>System pressure must be manually relieved to prevent it from starting or spraying accidentally. Fluid under high pressure can be injected into the skin and cause serious injury. To reduce risk of injury from injection, follow this procedure whenever you are instructed to relieve pressure, stop spraying, service equipment or install or clean spray tip. Read warnings, in operation manual.</p>			

1. Set pump valve OFF. Turn engine OFF.
2. Turn pressure to lowest setting. Trigger gun into pail to relieve pressure.
3. Rotate handle counter-clockwise to open prime valve.

If you suspect that the spray tip or hose is completely clogged, or that pressure has not been fully relieved after following the steps above, VERY SLOWLY, loosen tip guard retaining nut or hose end coupling to relieve pressure gradually, then loosen completely. Then clean tip and hose.

Parts Drawing



Parts List

Ref.	Part	Description	Qty.
1	16U536	HOPPER, weldment	1
2	16U537	COVER, weldment	1
3	120307	FITTING, hose adapter, male	1
4	120308	FITTING, hose adapter, female	1
5	108209	NIPPLE, pipe	1
6	126939	FITTING, elbow, 90, female, reducing	1
7	16U538	BRACKET, mount, hopper	1
8	111195	SCREW, cap, flnghd	2
10	110110	SEALANT pipe, sst	1

Hopper Kit Instructions

Initial Setup

1. Follow **Pressure Relief Procedure** on page 1.
2. Remove fitting from bottom of pump.
3. Apply sealant to nipple (5). Assemble to female fitting (6) and female fitting (4) and tighten.
4. Apply sealant to male fitting (3) and tighten to hopper (1).
5. Apply sealant to bottom of pump and assemble subassembly from step 3.
6. Loosely install bracket (7) with two screws (8) into pump bracket.
7. Install hopper assembly (1) into subassembly from step 4 and tighten quick disconnect fitting (4).
8. Push bracket (7) up to secure hopper.
9. Tighten screws (8) to 30-35 ft-lb.

Removal

1. Loosen quick disconnect fitting (4).
2. Remove hopper.

Installation

1. Set hopper on bracket (7).
2. Rotate hopper into quick disconnect fitting (4).
3. Tighten quick disconnect fitting (4).

All written and visual data contained in this document reflects the latest product information available at the time of publication. Graco reserves the right to make changes at any time without notice.

For patent information, see www.graco.com/patents.

Original instructions. This manual contains English. MM 332234

Graco Headquarters: Minneapolis
International Offices: Belgium, China, Japan, Korea

GRACO INC. AND SUBSIDIARIES • P.O. BOX 1441 • MINNEAPOLIS MN 55440-1441 • USA
 Copyright 2012, Graco Inc. All Graco manufacturing locations are registered to ISO 9001.

www.graco.com

Revision A - January 2013

Free Manuals Download Website

<http://myh66.com>

<http://usermanuals.us>

<http://www.somanuals.com>

<http://www.4manuals.cc>

<http://www.manual-lib.com>

<http://www.404manual.com>

<http://www.luxmanual.com>

<http://aubethermostatmanual.com>

Golf course search by state

<http://golfingnear.com>

Email search by domain

<http://emailbydomain.com>

Auto manuals search

<http://auto.somanuals.com>

TV manuals search

<http://tv.somanuals.com>